

# SANUS | VISIONMOUNT

## VMDD26

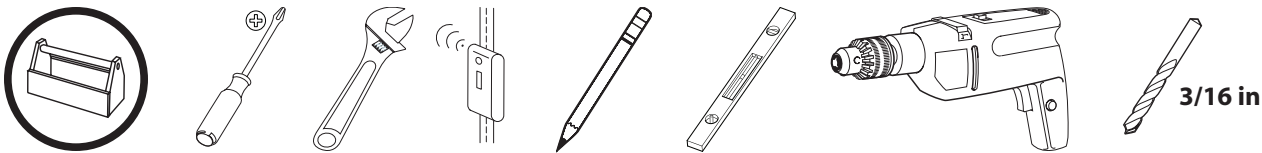
Thank you for choosing the Sanus Systems VisionMount™ VMDD26. It mounts most flat panel televisions up to 1600 cm (63 in), tilts the TV +5° to -15°, swivels ± 75°, rolls ± 6°, and extends 654 mm (25.75 in) from the wall.

### ▲ WARNING

**Do not use this product for any purpose not explicitly specified by Sanus Systems. Improper installation may cause property damage or personal injury. If you do not understand these directions, or have doubts about the safety of the installation, contact Sanus Systems Customer Service or call a qualified contractor. Sanus Systems is not liable for damage or injury caused by incorrect mounting, assembly, or use.**

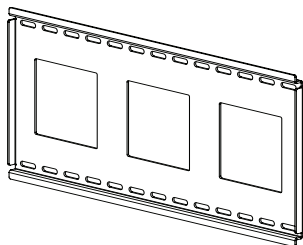
**The TV must not exceed 79.4 kg (175 lb) or 1600 cm (63 in). The wall must support five times the weight of the TV plus the wall mount. If necessary, reinforce the structure before installing the unit. Failure to provide adequate structural strength may result in serious personal injury or damage to equipment.**

**The supplied wall mounting hardware is not for metal stud, concrete, brick, or block walls. If you are uncertain about the nature of your wall, consult an installation contractor. The installer must verify the safety of any installation method or use of hardware not provided by or recommended by Sanus Systems.**

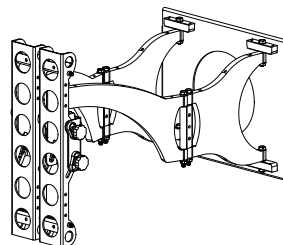


### Supplied Parts and Hardware

Make sure all parts are included and undamaged. Never use defective parts. If hardware is damaged or missing, contact your local hardware store or Sanus Systems. Before returning products to the point of purchase, contact Sanus Systems. Replacement parts for products purchased through authorized dealers are shipped directly to you.



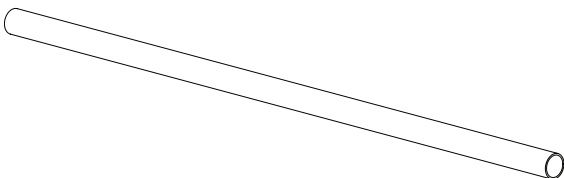
[01] x 1



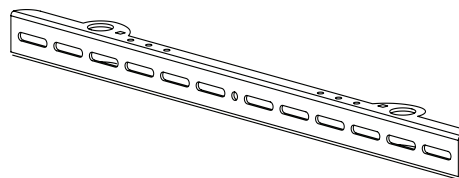
[02] x 1



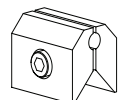
[03] x 2



[04] x 2

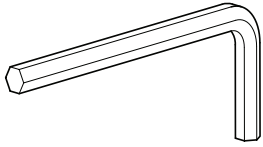


[05] x 2

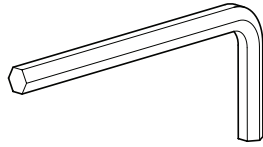


[06] x 4

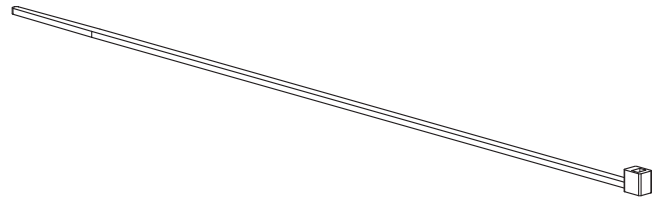
**Sanus Systems** 2221 Hwy 36 West, St Paul, MN 55113 USA • (6901-100015 <01>)  
USA Customer Service: 1-800-359-5520 • info@sanus.com • www.sanus.com



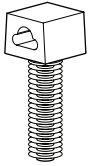
[07] x 1



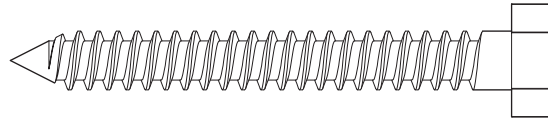
[08] x 1



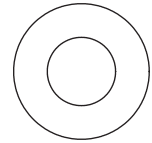
[09] x 20



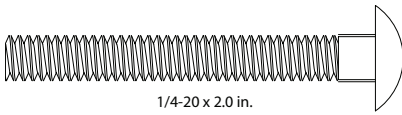
[10] x 14



[11] x 4



[12] x 4

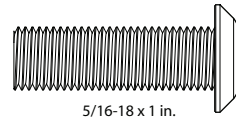


1/4-20 x 2.0 in.

[13] x 4

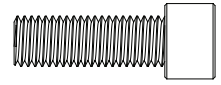


[14] x 4

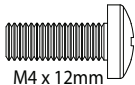


5/16-18 x 1 in.

[15] x 3

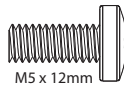


[16] x 4



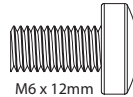
M4 x 12mm

[17] x 4



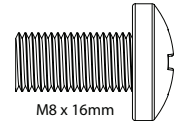
M5 x 12mm

[18] x 4



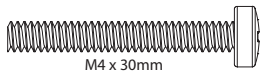
M6 x 12mm

[19] x 4



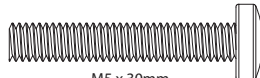
M8 x 16mm

[20] x 4



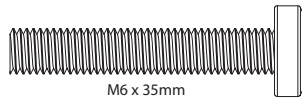
M4 x 30mm

[21] x 4



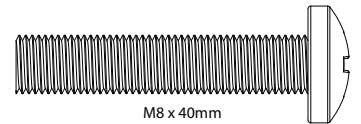
M5 x 30mm

[22] x 4



M6 x 35mm

[23] x 4



M8 x 40mm

[24] x 4



M4

[25] x 4



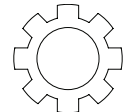
M5

[26] x 4



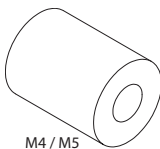
M6

[27] x 4



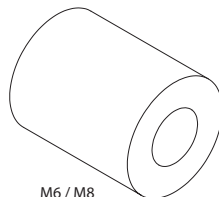
M8

[28] x 4



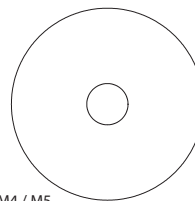
M4 / M5

[29] x 4



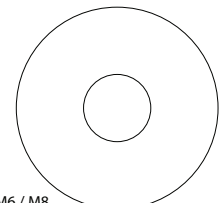
M6 / M8

[30] x 4



M4 / M5

[31] x 8



M6 / M8

[32] x 4

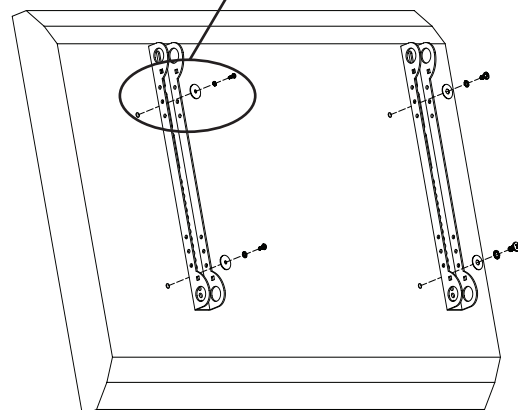
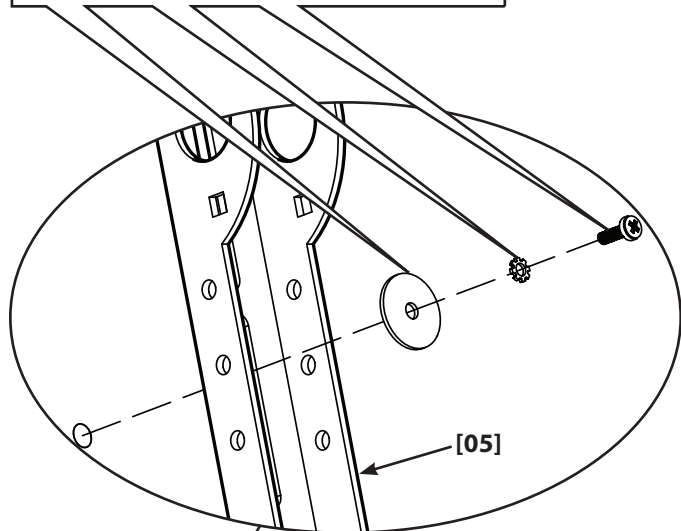
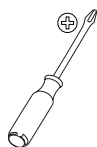
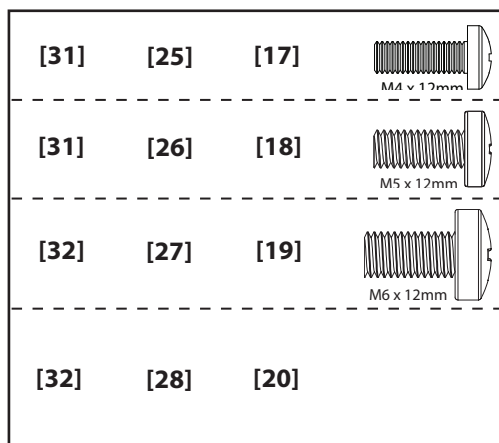
# 1

Determine the Bolt diameter required — [17] / [21], [18] / [22], [19] / [23], or [20] / [24] — by threading each size into the back of the TV. Stop immediately if you encounter any resistance.

## 1-1: TV with flat back

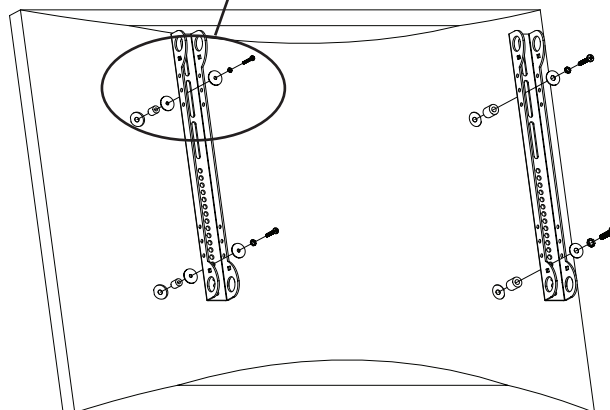
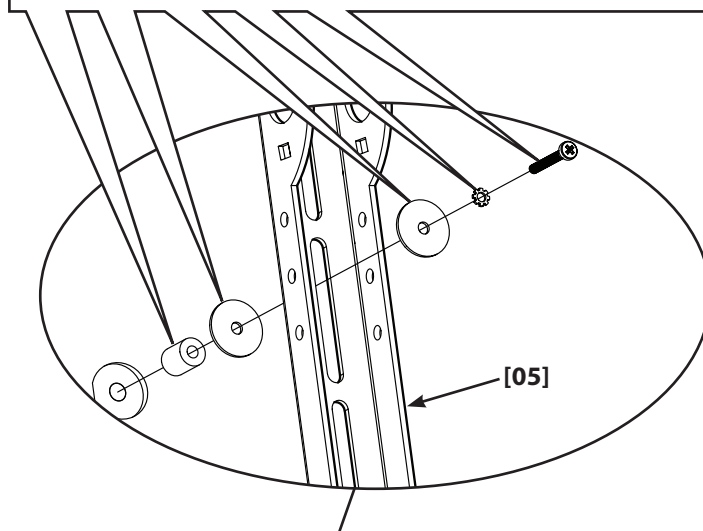
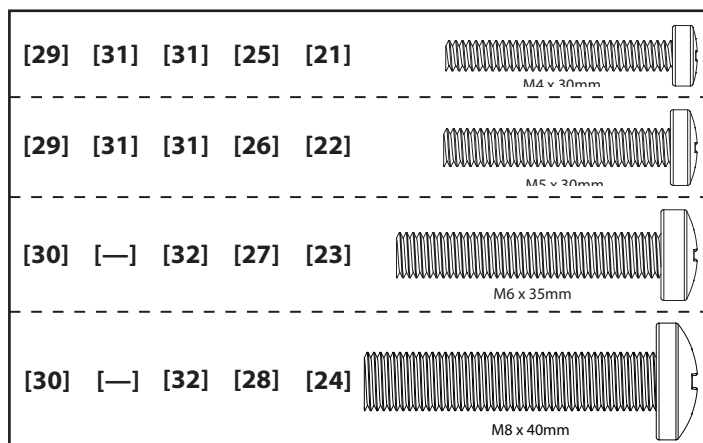
## 1-2: TV with curved back or obstruction

1-1



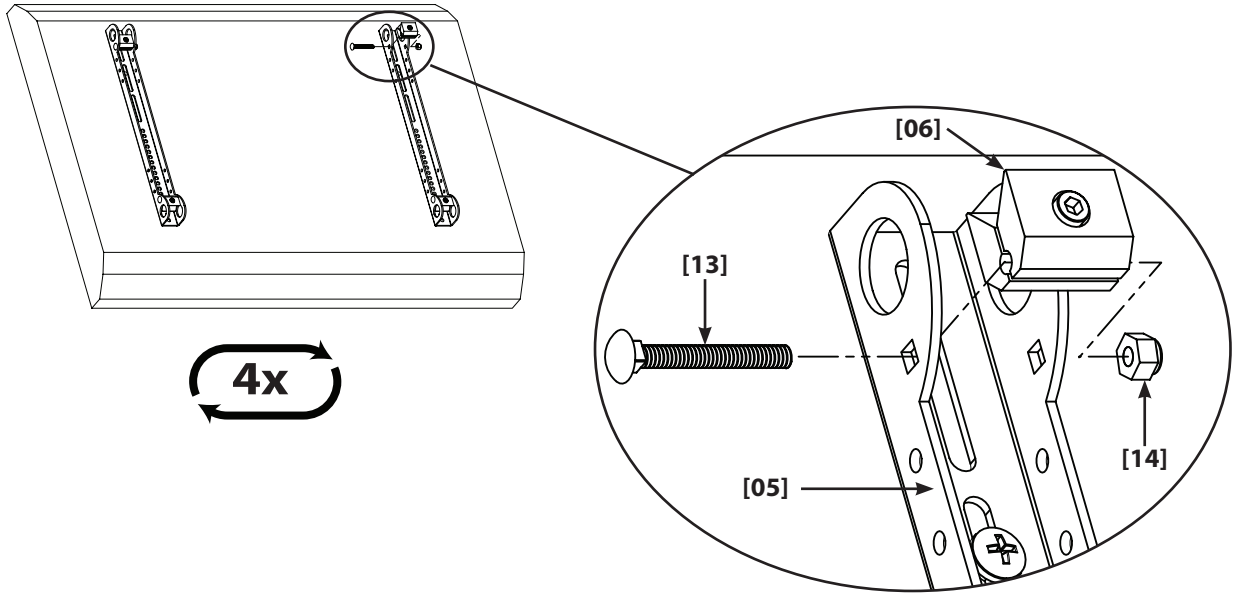
4x

1-2

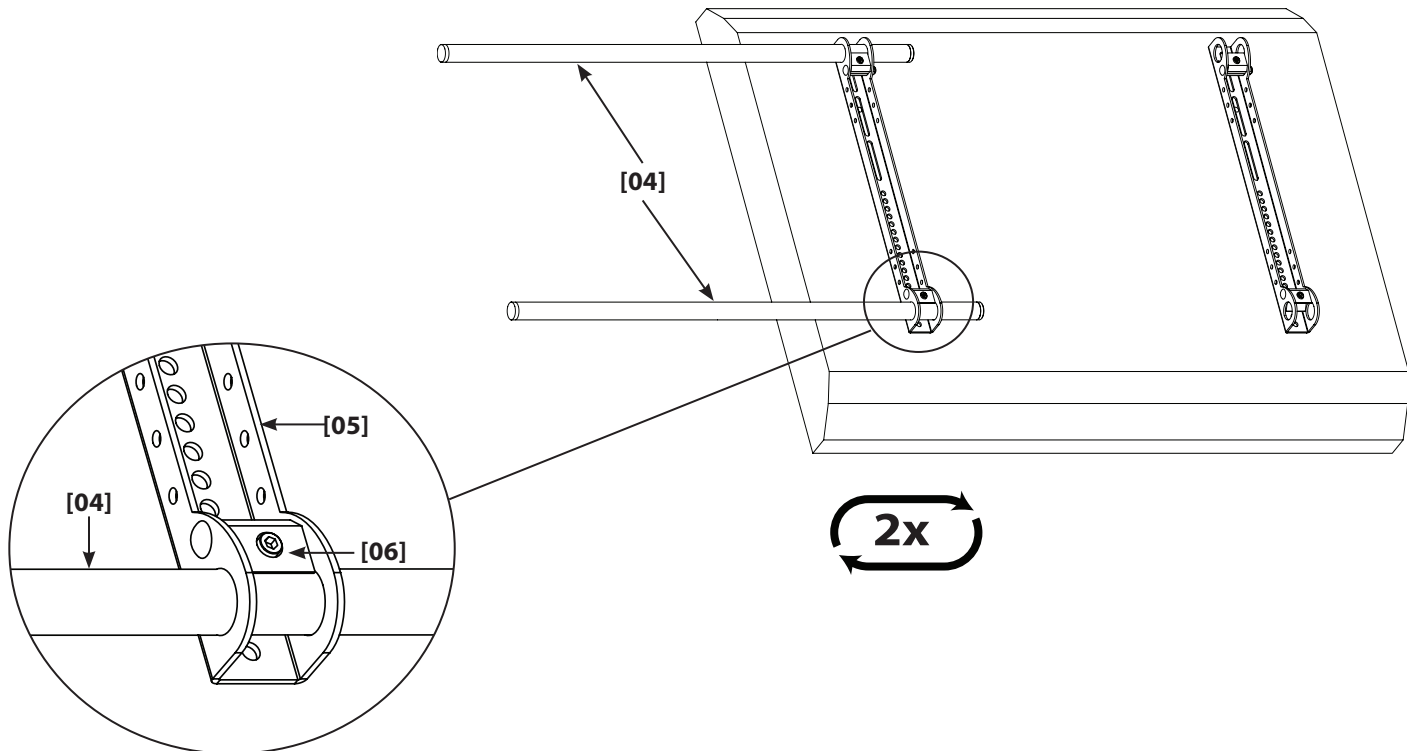


## 2

Do not overtighten the Nut [14]. The Vise Assembly [06] should rotate freely around the Carriage Bolt [13].



## 3

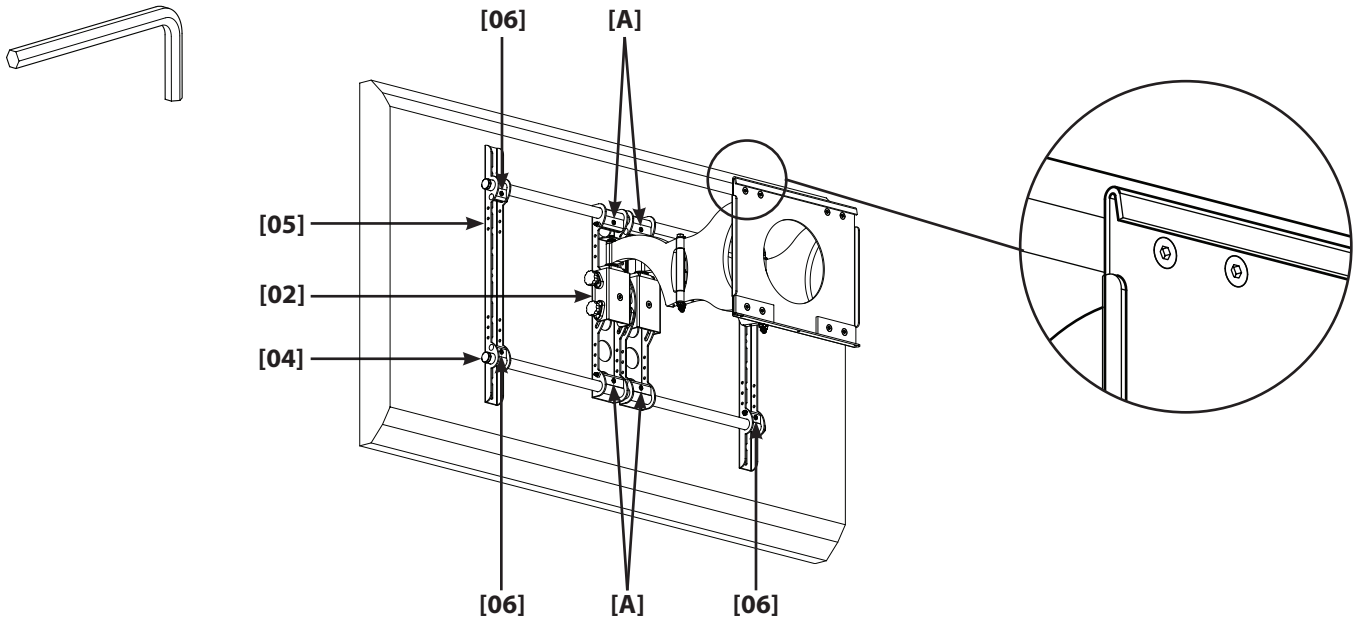


# 4

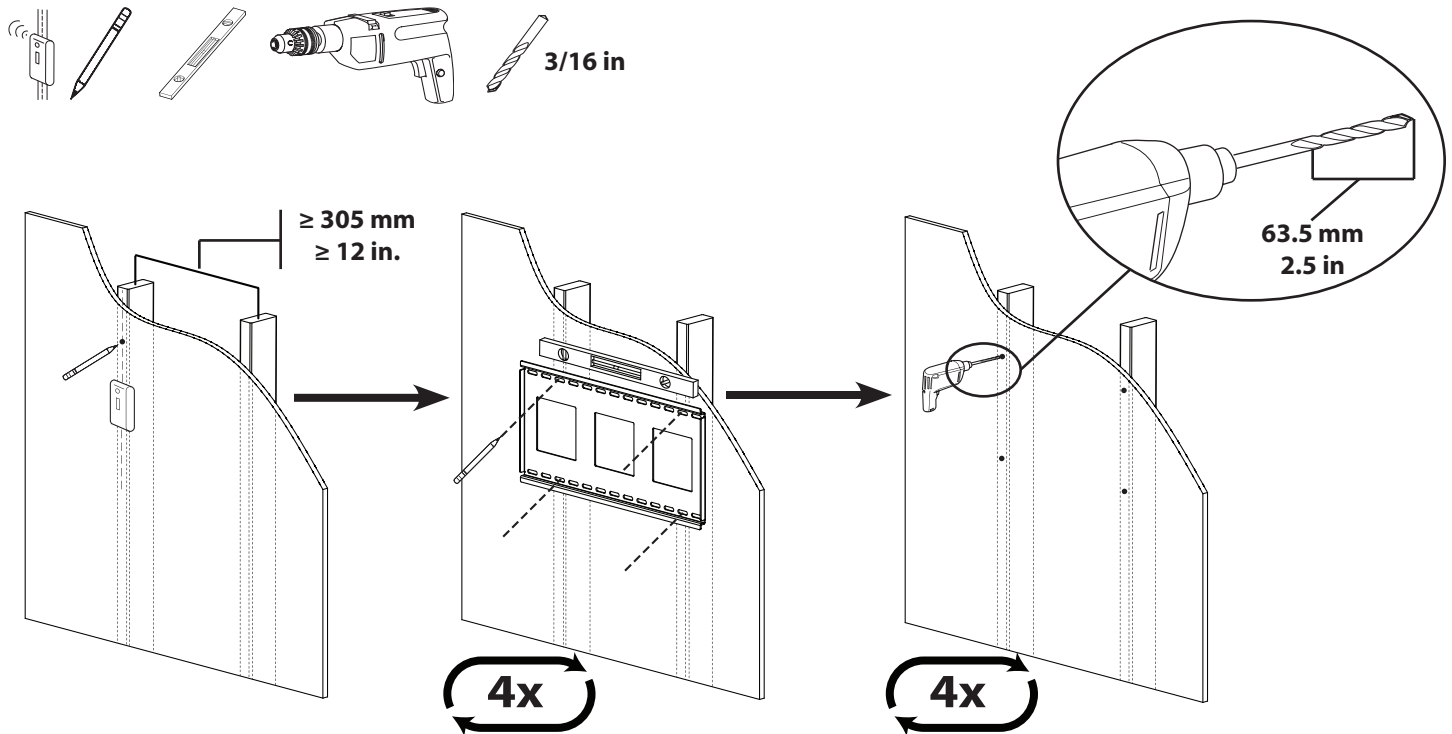
## ▲ CAUTION

To prevent property damage or injury from an unstable installation, extend the Tubes [04] beyond the outside edges of both Monitor Brackets [05] and tighten the Allen Bolts on Vice Assemblies [06] and [A] of the Arm Assembly [02].

Do not overtighten Vice Assemblies [06] and [A]. Turn the Allen Bolt until resistance is felt. Then tighten the Bolt about 1½ turns, or until it is slightly above the surface of the Vice Assembly. The Tubes [04] will not move from side to side if the Vice Assemblies are correctly tightened.



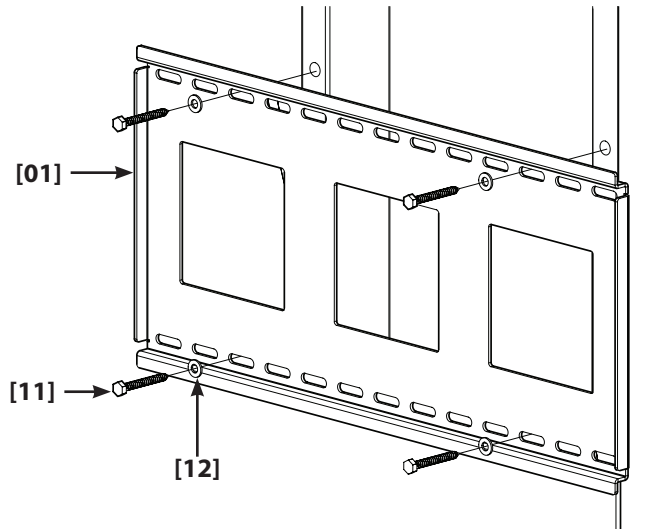
# 5



# 6

## ▲ CAUTION

To prevent property damage or personal injury, tighten each Lag Bolt [11] only until the Wall Plate [01] is pulled firmly against the wall. The drywall or other wall material may not exceed 15.8 mm (5/8 in) in thickness.

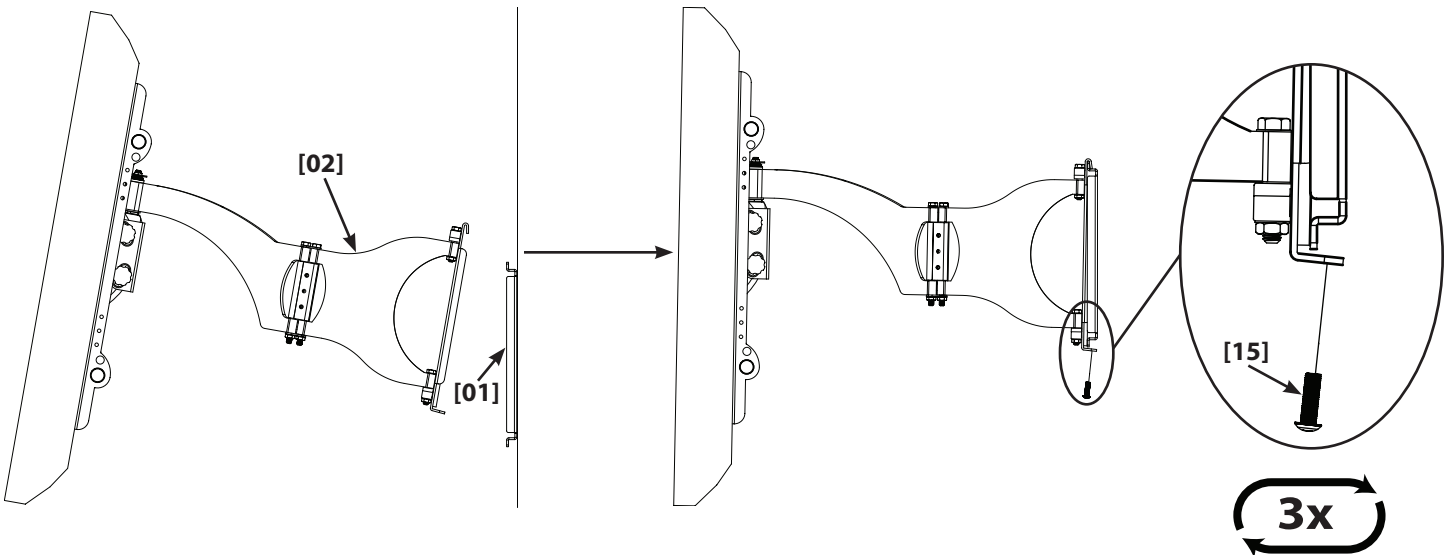
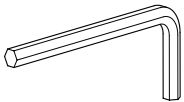


4x

# 7

## ▲ CAUTION

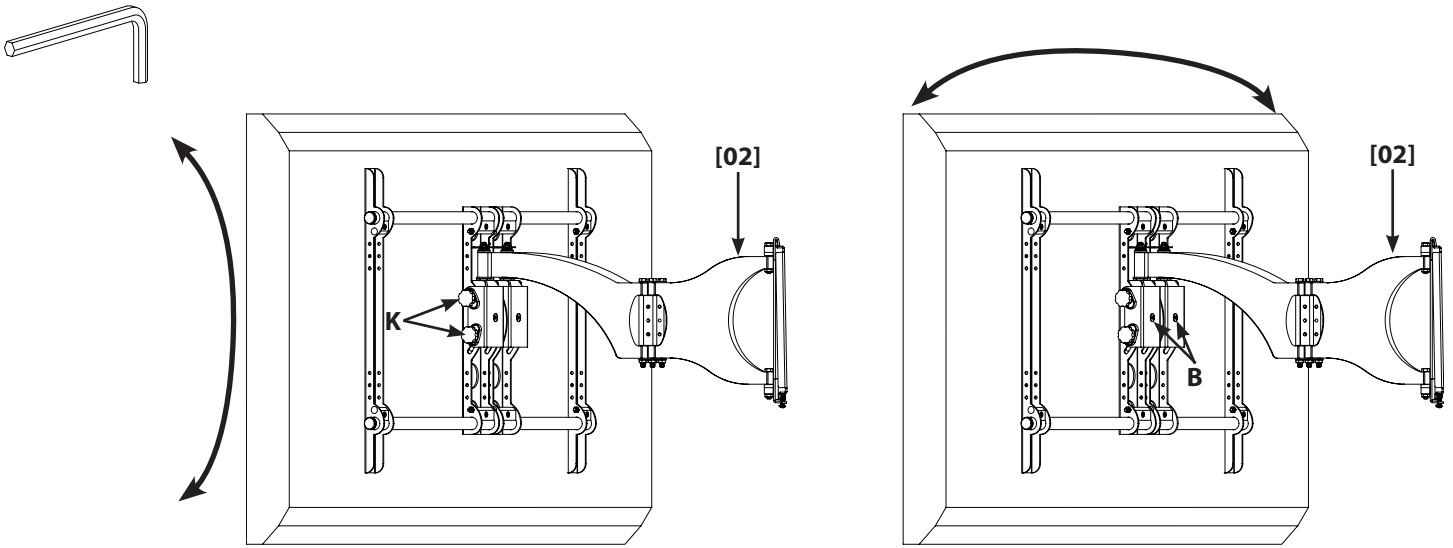
To prevent property damage or personal injury, all Safety Bolts [15] must be securely tightened.



3x

# 8

Set the tilt tension with the Knobs [K] on the Arm Assembly [02]. The TV freely tilts +5° to -15° without further Knob adjustment. To change the roll ± 6°, loosen the Allen Bolts [B] on the Arm Assembly, position the TV, and retighten the Allen Bolts.

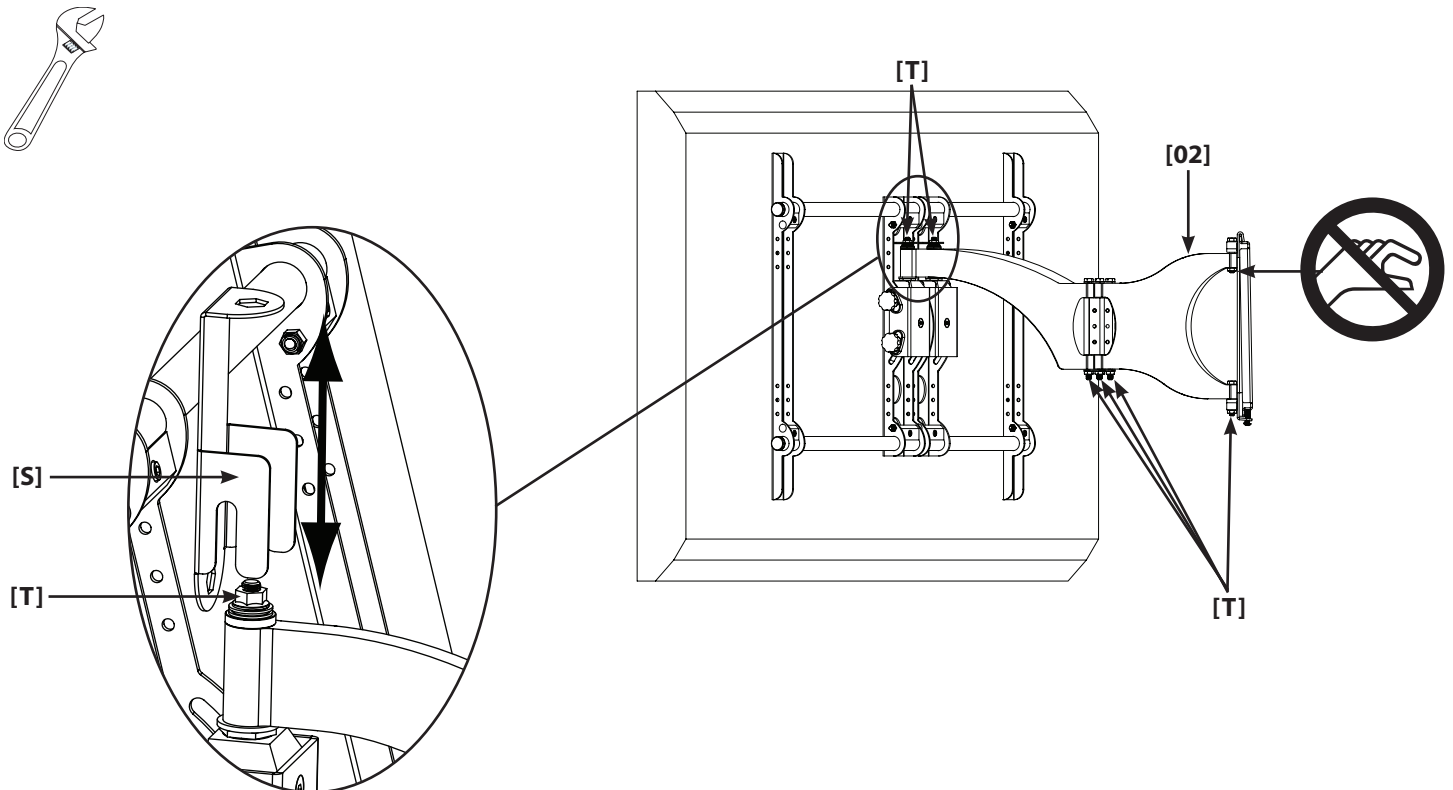


# 9

## ▲ CAUTION

To prevent property damage, do not remove the Tension Nuts [T] or fail to reinstall the Safety Bracket [S].

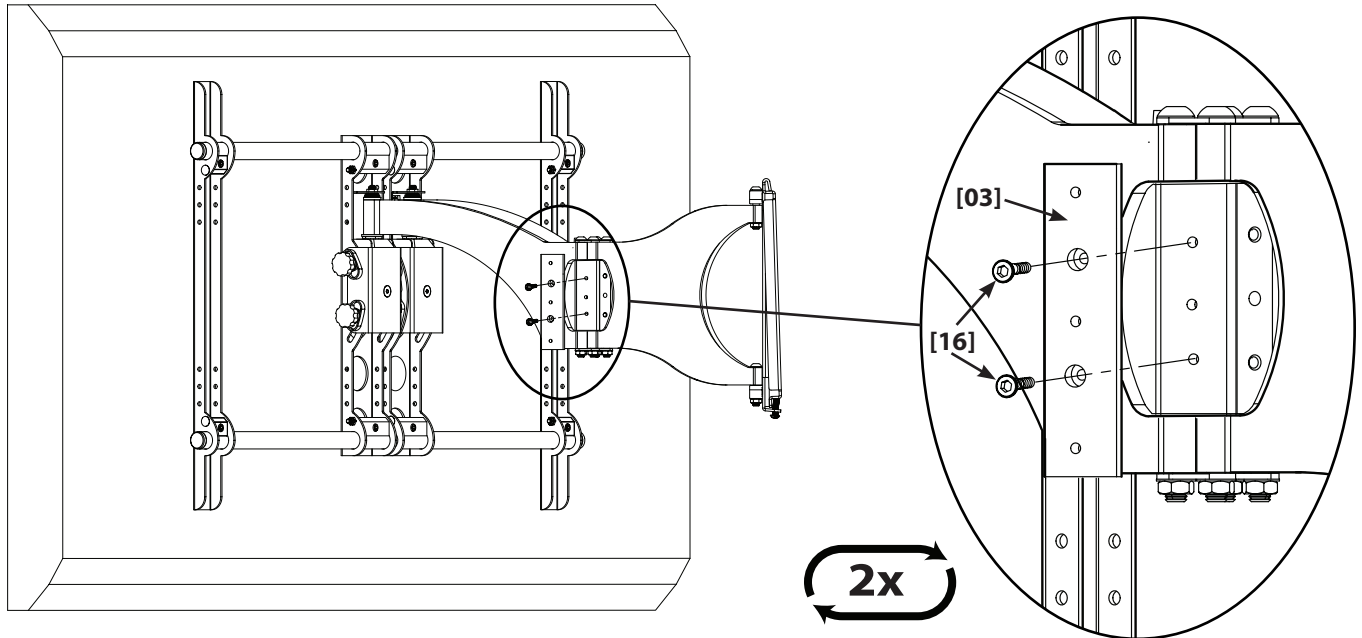
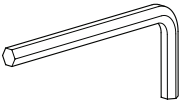
To adjust tension on the Arm Assembly [02], loosen or tighten the Tension Nuts [T]. For the Tension Nuts closest to the TV, remove the Safety Bracket [S], adjust the tension, and reinstall the Safety Bracket.



# 10

▲ CAUTION

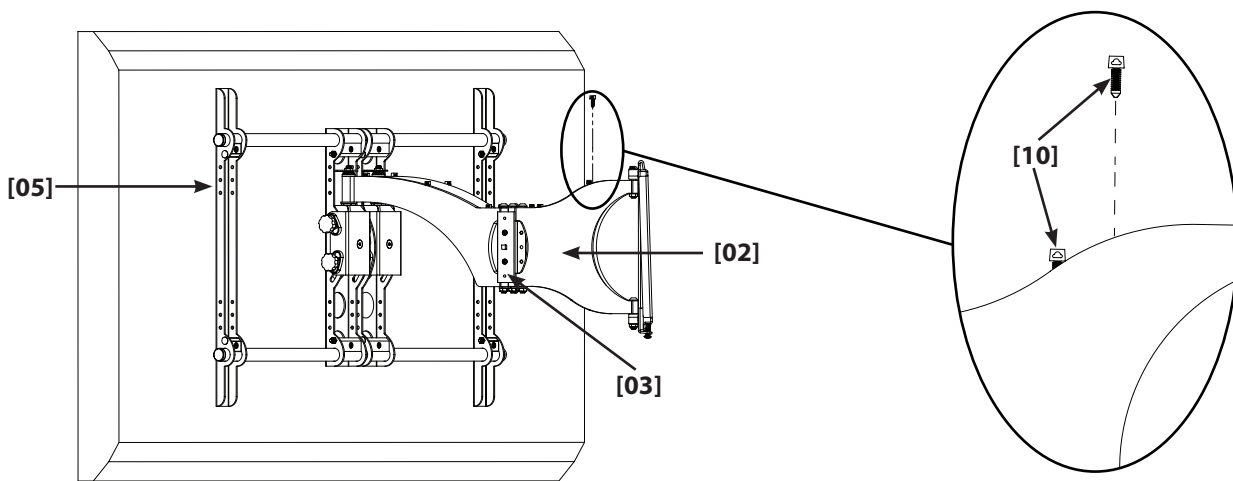
To avoid injury, do not place your hands or fingers between moveable parts.



# 11

Leave some slack in the cables to prevent excess tension on the connectors. Do not run cables through any pinch points.

Wire Tie Clips [10] can be pressed into holes on the top and bottom of the Arm Assembly [02] or sides of the Preventor [03]. Wire Ties [09] may be threaded through the Wire Tie Clips or holes in the Monitor Brackets [05] to secure the cables.



CSAV, Inc. and its affiliated corporations and subsidiaries (collectively, "CSAV"), intend to make this manual accurate and complete. However, CSAV makes no claim that the information contained herein covers all details, conditions, or variations. Nor does it provide for every possible contingency in connection with the installation or use of this product. The information contained in this document is subject to change without notice or obligation of any kind. CSAV makes no representation of warranty, expressed or implied, regarding the information contained herein. CSAV assumes no responsibility for accuracy, completeness or sufficiency of the information contained in this document.



## Free Manuals Download Website

<http://myh66.com>

<http://usermanuals.us>

<http://www.somanuals.com>

<http://www.4manuals.cc>

<http://www.manual-lib.com>

<http://www.404manual.com>

<http://www.luxmanual.com>

<http://aubethermostatmanual.com>

Golf course search by state

<http://golfingnear.com>

Email search by domain

<http://emailbydomain.com>

Auto manuals search

<http://auto.somanuals.com>

TV manuals search

<http://tv.somanuals.com>