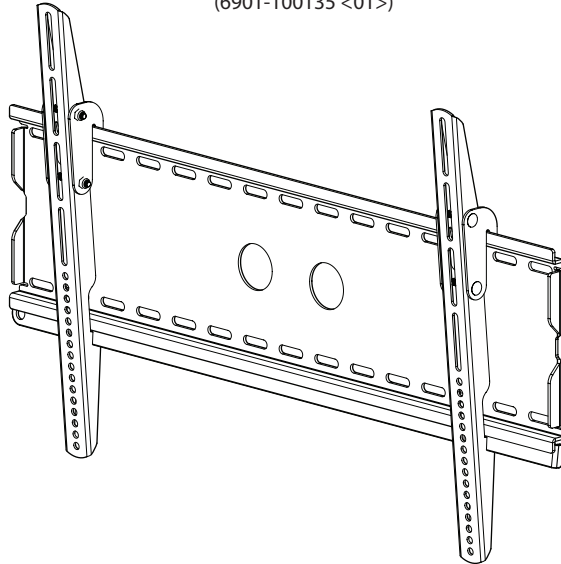


SANUS | SYSTEMS

VMPL2

(6901-100135 <01>)



Thank you for choosing the Sanus Systems Vision Mount wall mount. The Sanus Systems VMPL2 wall mount is designed to support a monitor weighing up to 79 kg (175 lbs) to a vertical wall either flat or at a fixed 5 degree tilt. Hardware for multiple mounting configurations is included.

WARNING

This product contains small items that could be a choking hazard if swallowed. Keep these items away from young children!

CAUTION

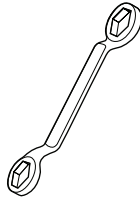
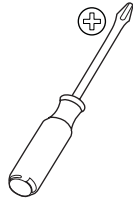
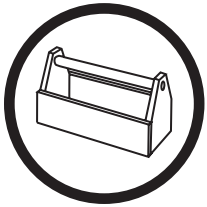
This product is not designed for use in steel stud walls or old cinder block walls. The wall must be capable of supporting up to five times the weight of the monitor and mount combined. If you are uncertain about the nature of your wall or its ability to support the monitor, contact Sanus Systems Customer Service, or a qualified contractor.

CAUTION

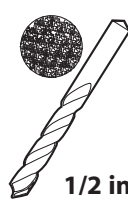
Do not use this product for any purpose not explicitly specified by Sanus Systems. Improper installation or use may cause personal injury and/or property damage. If you do not understand these instructions, or if you have doubts about the safety of the installation, contact Sanus Systems Customer Service. Sanus Systems is not liable for injury or damage caused by incorrect installation or use.



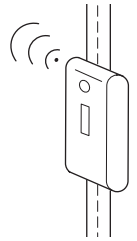
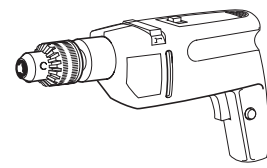
Hardware and procedures for multiple mounting configurations are included. When you see this symbol, choose the correct configuration to suit your needs. Not all hardware included will be used.



3/16 in.

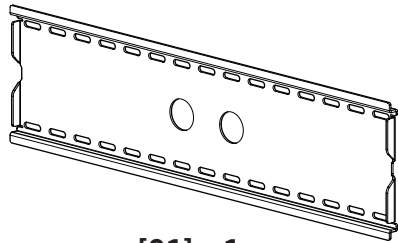


1/2 in.

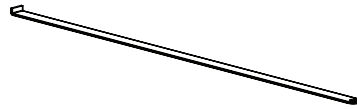


Supplied Parts and Hardware

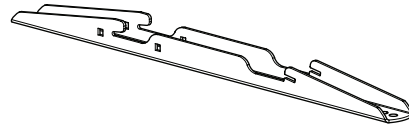
Before starting assembly, verify all parts are included and undamaged. If any parts are missing or damaged, do not return the item to your dealer; contact Sanus Systems Customer Service. Never use damaged parts!



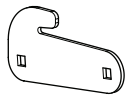
[01] x 1



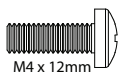
[02] x 1



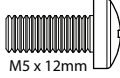
[03] x 2



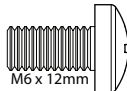
[04] x 4



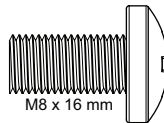
[05] x 4



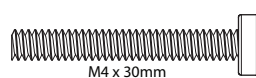
[06] x 4



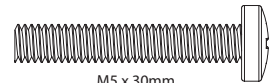
[07] x 4



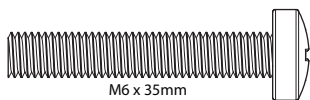
[08] x 4



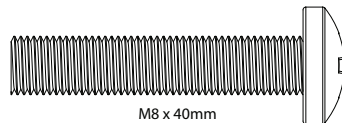
[09] x 4



[10] x 4



[11] x 4



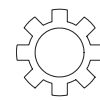
[12] x 4



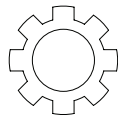
[13] x 4



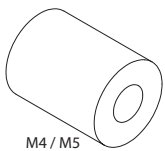
[14] x 4



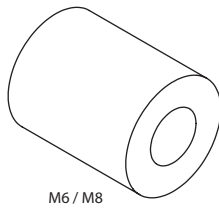
[15] x 4



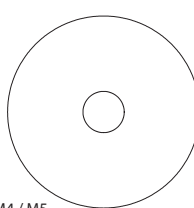
[16] x 4



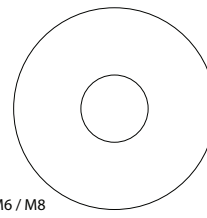
[17] x 4



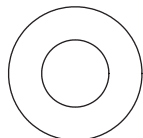
[18] x 4



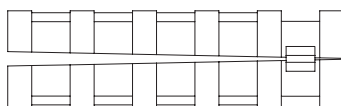
[19] x 8



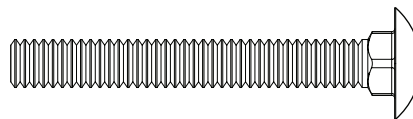
[20] x 4



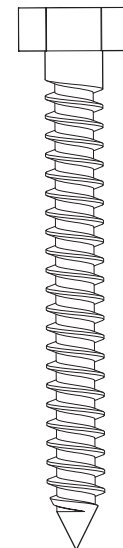
[22] x 6



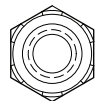
[23] x 6



[24] x 4



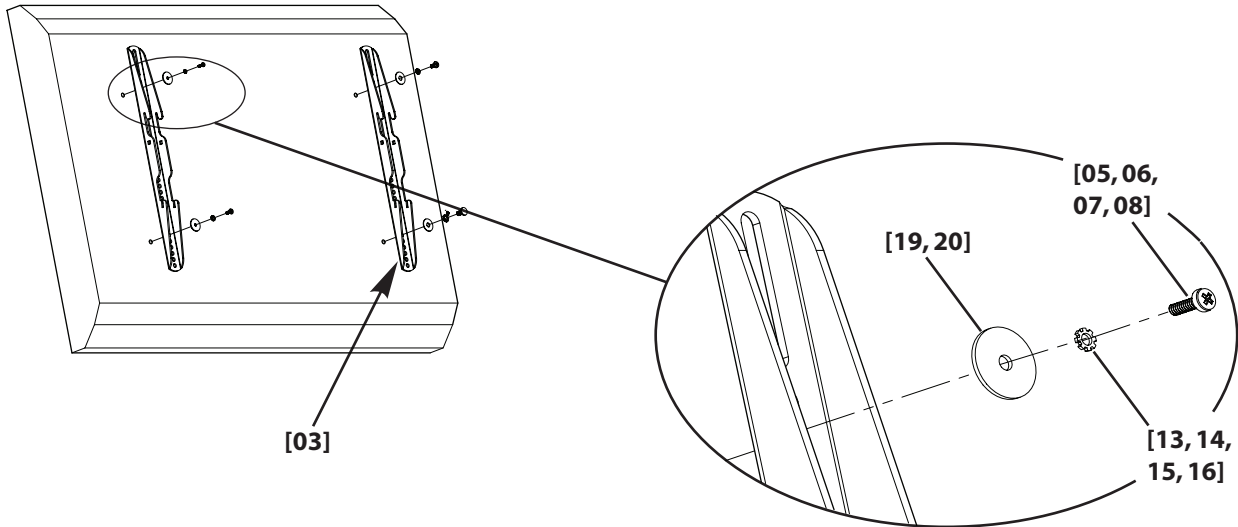
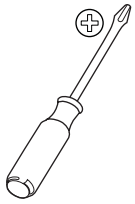
[21] x 6



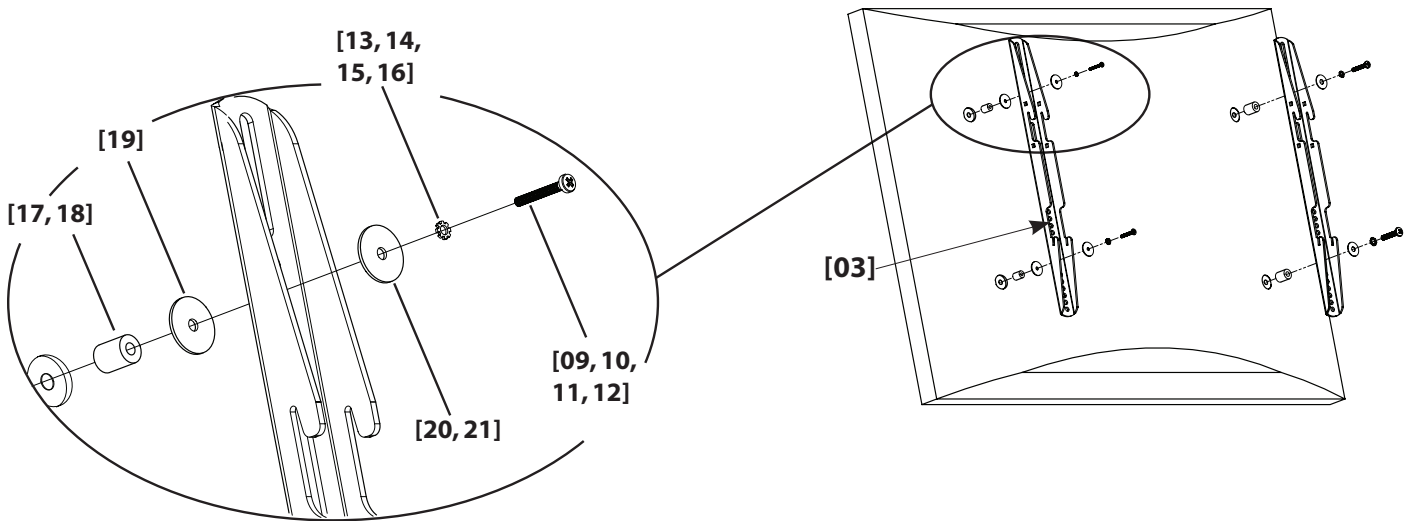
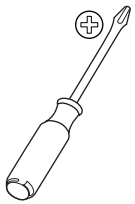
[25] x 4

1: Mount Monitor Brackets

Television, Flat Back

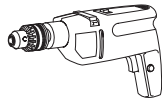
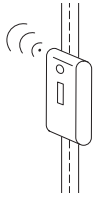


Television, Curved Back or Obstruction



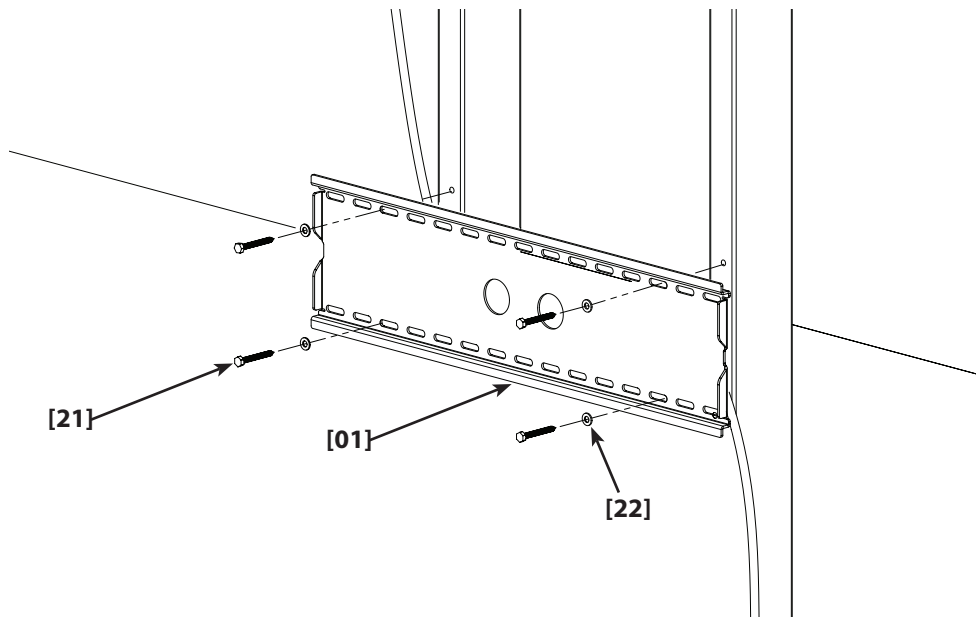
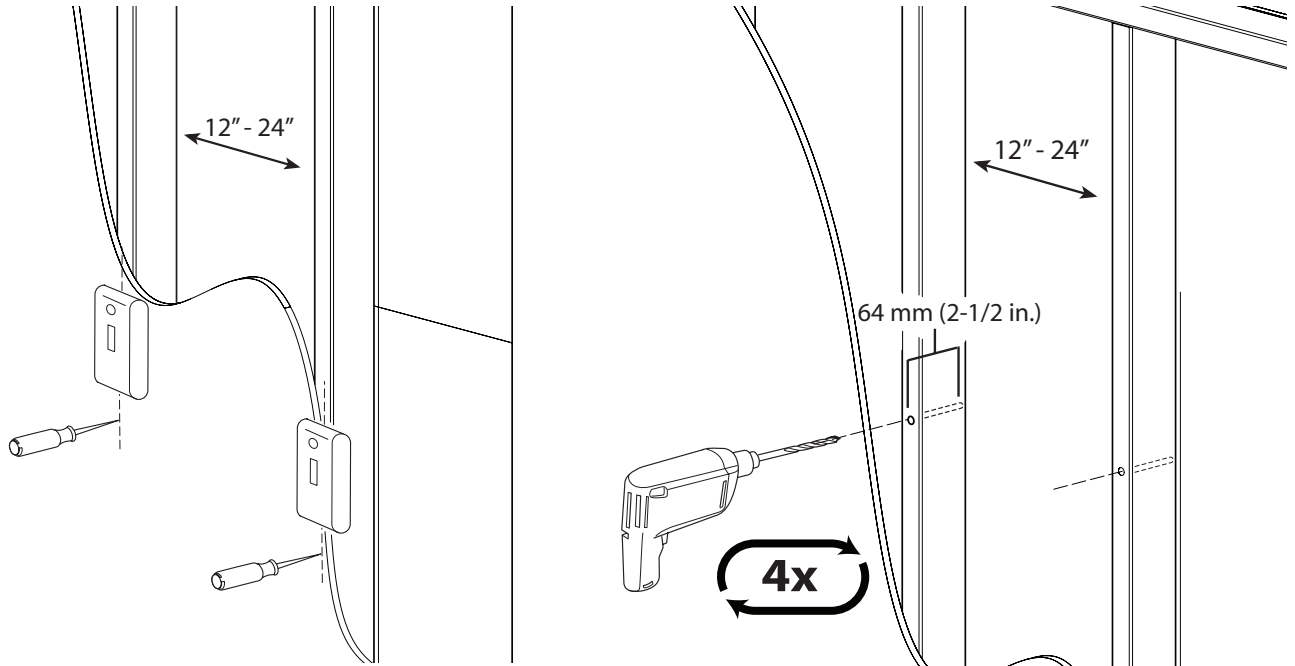
2: Mount the Wall Plate

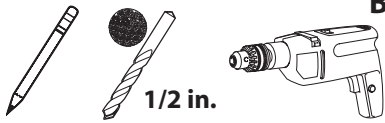
Wood Stud



CAUTION

Do not overtighten the Lag Bolts. Tighten Lag Bolts [21] only until the Lag Bolt Washer [22] is pulled firmly against the Wall Plate [01].

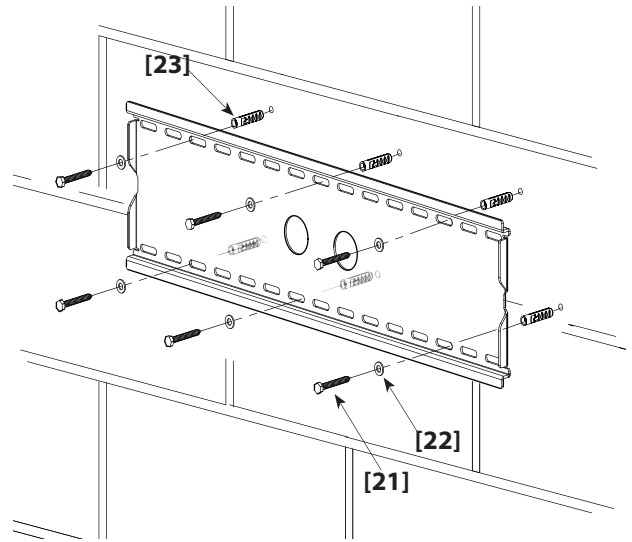
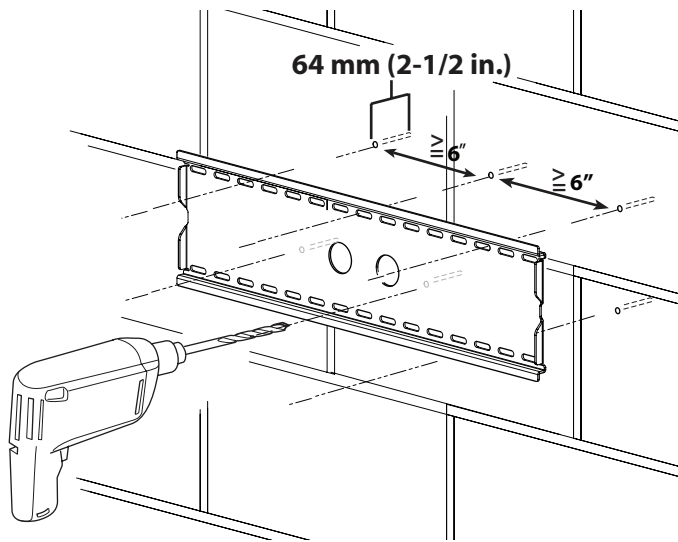




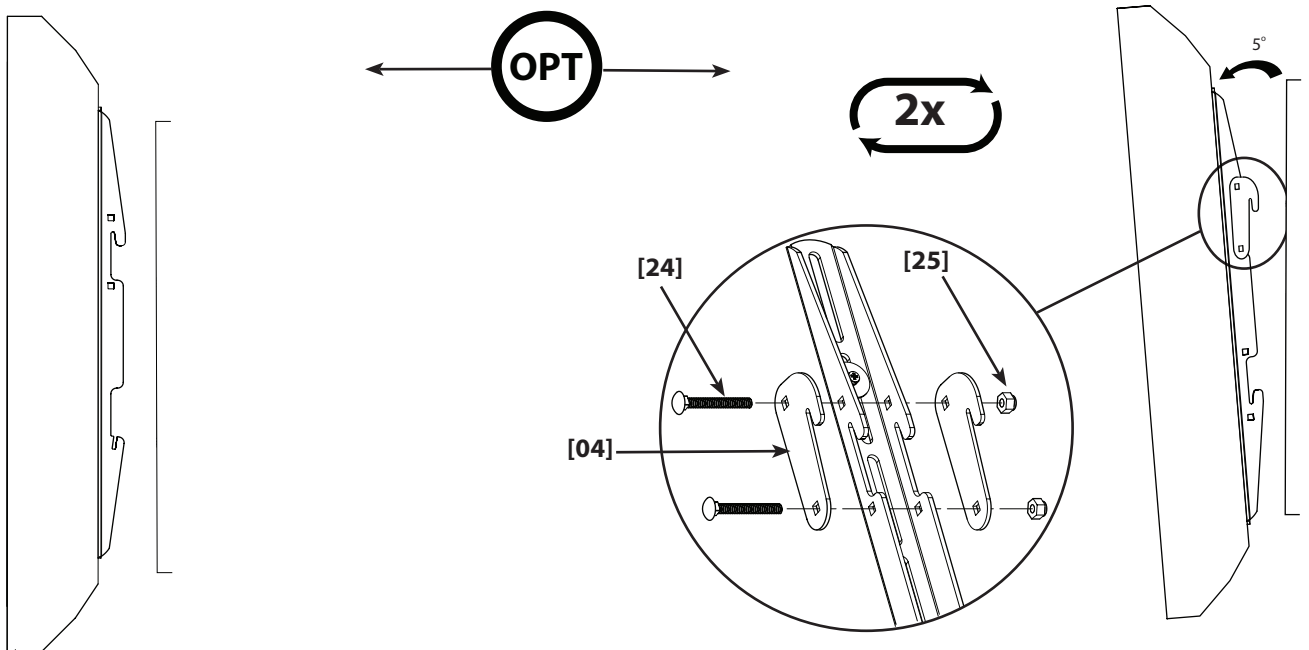
Brick, Solid concrete and Concrete Block Mounting

CAUTION

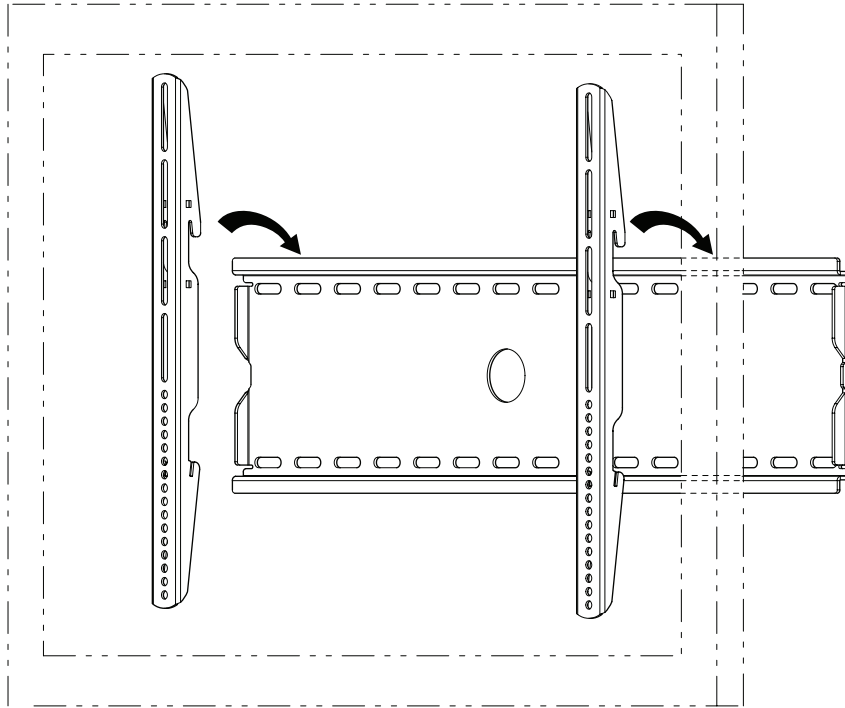
To prevent property damage or personal injury, never drill into mortar between blocks and make sure Concrete Anchor [23] is seated flush with concrete surface. The drywall or other covering may not exceed 16 mm (5/8 in.) in thickness.



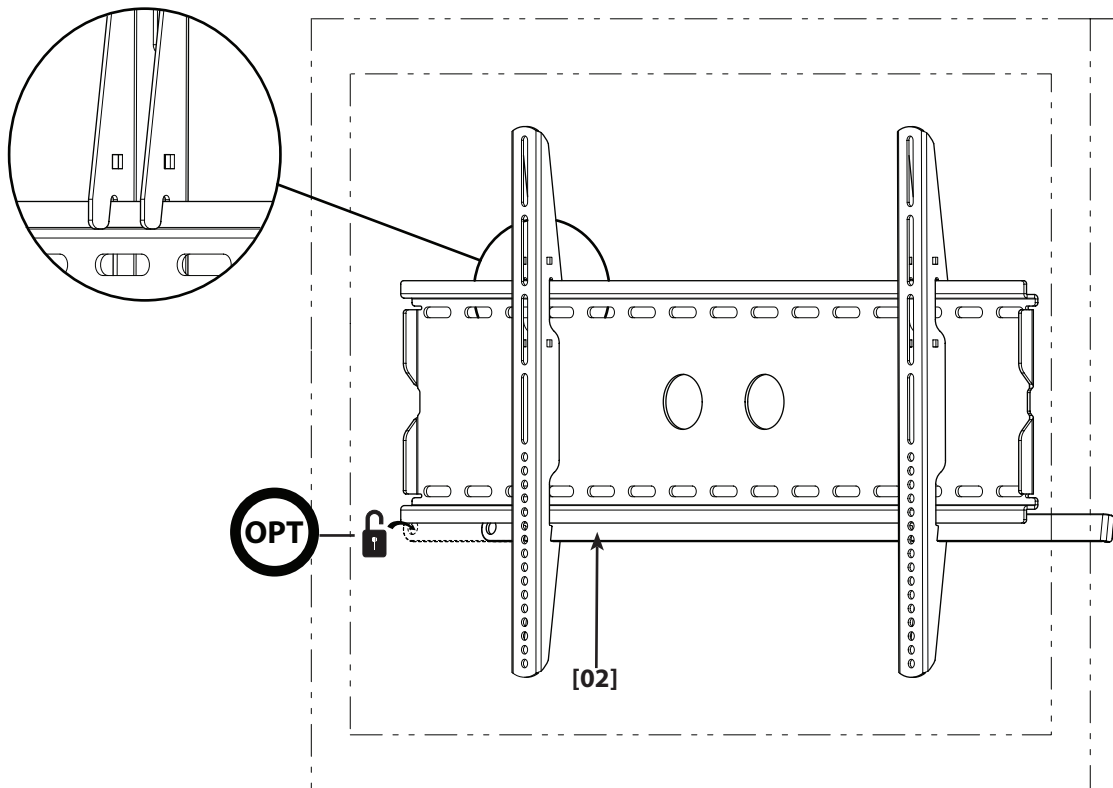
3: Choose Mounting Position



4: Hang TV Onto Wall Plate



Insert Safety Bar



CSAV, Inc. and its affiliated corporations and subsidiaries (collectively, "CSAV"), intend to make this manual accurate and complete. However, CSAV makes no claim that the information contained herein covers all details, conditions, or variations. Nor does it provide for every possible contingency in connection with the installation or use of this product. The information contained in this document is subject to change without notice or obligation of any kind. CSAV makes no representation of warranty, expressed or implied, regarding the information contained herein. CSAV assumes no responsibility for accuracy, completeness or sufficiency of the information contained in this document.

6901-100135 <01>

Free Manuals Download Website

<http://myh66.com>

<http://usermanuals.us>

<http://www.somanuals.com>

<http://www.4manuals.cc>

<http://www.manual-lib.com>

<http://www.404manual.com>

<http://www.luxmanual.com>

<http://aubethermostatmanual.com>

Golf course search by state

<http://golfingnear.com>

Email search by domain

<http://emailbydomain.com>

Auto manuals search

<http://auto.somanuals.com>

TV manuals search

<http://tv.somanuals.com>