

SANUS SYSTEMS

THE UNION OF FORM AND FUNCTION

Assembly Instructions for Model: VMXA1

Thank you for choosing a Sanus Systems VisionMount™ Model: VMXA1. The VMXA1 is 8" [203 mm] longer and replaces the Center Plate provided with the VMPL3. The VMXA1 is designed to hold up to 280 lbs [127 kg].

Step 1: Configure Wall Plate Assembly

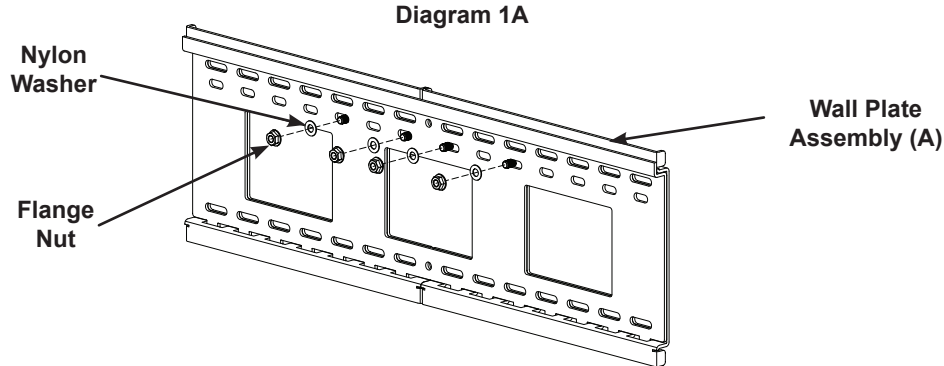
NOTE: VMXA1 replaces the standard Center Plate in the Wall Plate Assembly (A) provided with the VMPL3. These instructions replace Step 7: Configure Wall Plate Assembly, of the Assembly Instructions for Model: VMPL3.

Using the VMXA1, the Wall Plate Assembly (A) can be adjusted in width from 35" to 50" [889 mm to 1270 mm]. Determine how wide you want the Wall Plate Assembly based on the following criteria:

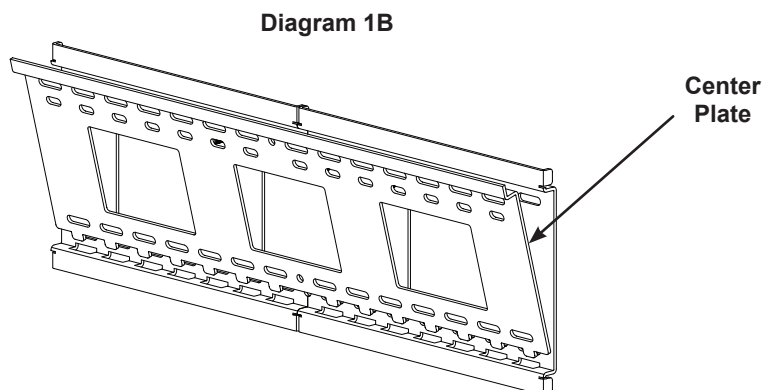
- Width of television (Wall Plate Assembly should be configured so the total width is less than the overall width of your television)
- Width of Hole Pattern on television (Wall Plate Assembly should be wider than the horizontal distance between threaded inserts on the back of your TV by at least 2" [50.8 mm])
- Stud Spacing (Sanus recommends attaching Wall Plate Assembly to three studs for televisions over 125 lbs. [56.7 Kg])

To adjust the width of the Wall Plate Assembly (A) using the VMXA1:

Remove each Flange Nut and Nylon Washer from the Wall Plate Assembly (A) as shown in Diagram 1A.



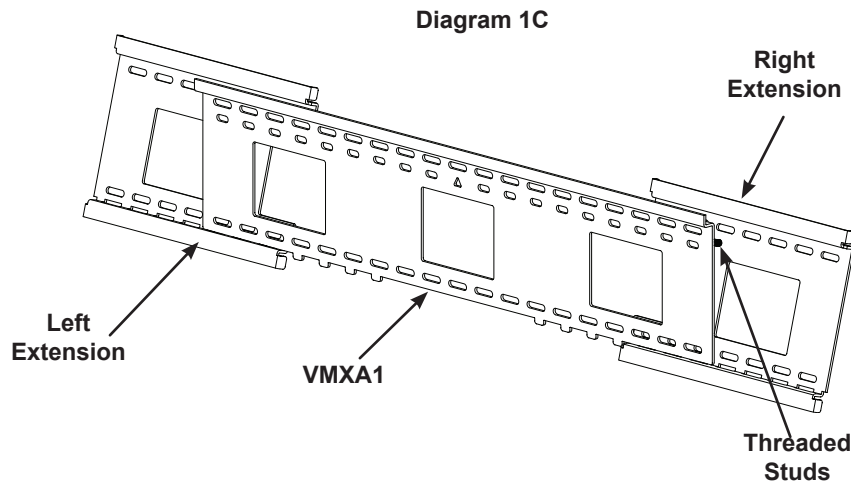
Remove the Center Plate of the Wall Plate Assembly (A) as shown in Diagram 1B.



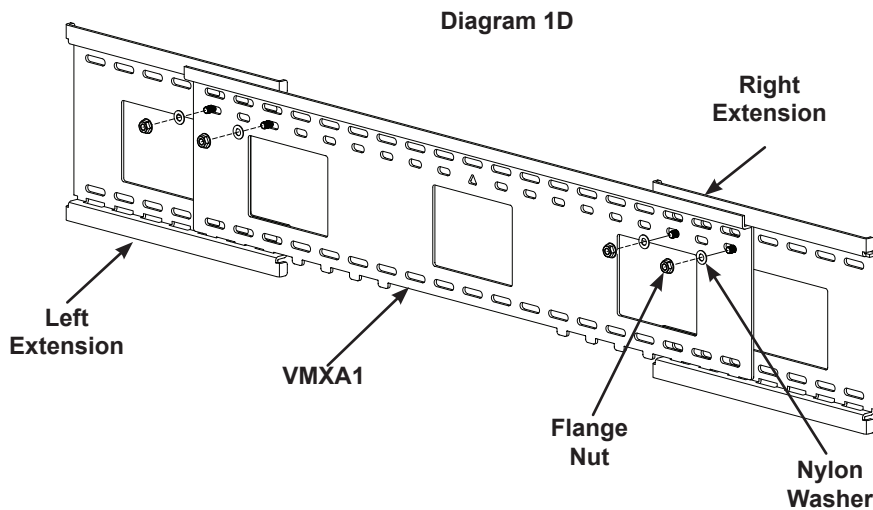
Separate the Left and Right Extension of the Wall Plate Assembly (A) and set them to so that their outer edges are equal to the desired width.

NOTE: All four of the Threaded Studs must pass through the VMXA1 for the installation to be safe.

Insert the VMXA1 so the teeth on its bottom fit into the slots in the Left and Right Extension, making sure that the Threaded Studs fit through the center row on holes in the VMXA1 as shown in Diagram 1C.



Using the previously removed Flange Nuts and Nylon Washers, secure the Right and Left Extension to the VMXA1 as shown in Diagram 1D, and securely tighten the Flange Nuts.



Free Manuals Download Website

<http://myh66.com>

<http://usermanuals.us>

<http://www.somanuals.com>

<http://www.4manuals.cc>

<http://www.manual-lib.com>

<http://www.404manual.com>

<http://www.luxmanual.com>

<http://aubethermostatmanual.com>

Golf course search by state

<http://golfingnear.com>

Email search by domain

<http://emailbydomain.com>

Auto manuals search

<http://auto.somanuals.com>

TV manuals search

<http://tv.somanuals.com>