

# SANUS | SYSTEMS

THE UNION OF FORM AND FUNCTION

## Assembly Instructions for Model: JFBD1

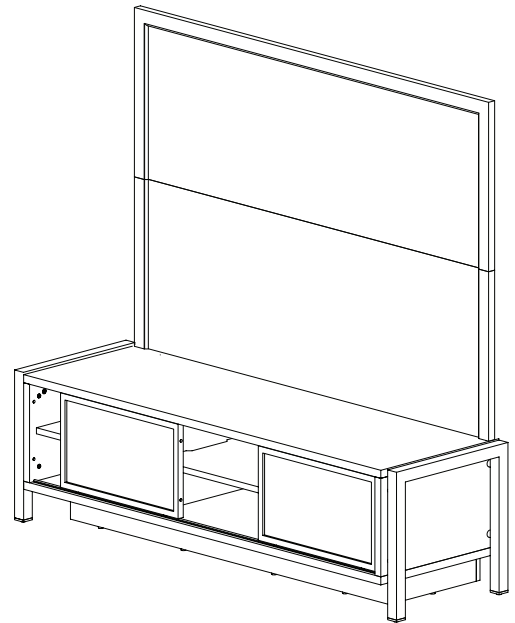
Thank you for choosing the Java Furniture Line from Sanus Systems. The JFBD1 joins to Java Furniture Model JFV65 and serves as a backdrop for mounting Sanus Wall Mount models VMPL50, VMPL250, VMPL, VMPL2, or VMPL3.

### ▲ WARNING

Do not use this product for any purpose that is not explicitly specified by Sanus Systems. Improper installation may cause property damage or personal injury. If you do not understand these directions or have any doubts about the safety of the installation, call a qualified contractor or contact Sanus at 800.359.5520 or [www.sanus.com](http://www.sanus.com). Sanus Systems can not be liable for damage or injury caused by incorrect mounting, incorrect assembly, or incorrect use.

### ▲ CAUTION

The combined weight of your television and wall mount must not exceed 130 lb (59 kg).



## Supplied Parts and Hardware

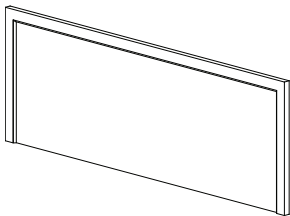
Sanus Systems makes every effort to assure all necessary hardware is included. Check carefully to make sure that there are no missing or defective parts. Never use defective parts. If hardware is missing or damaged, contact Sanus Systems or consult your local hardware store. Contact Sanus Systems before returning products to the point of purchase. Replacement parts for products purchased through authorized dealers will be shipped directly to you.

Threaded fasteners are shown actual size.

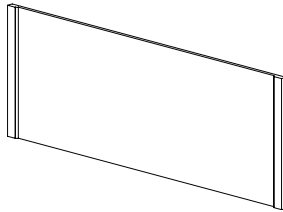
**Required Tools:** Phillips screwdriver, drill, and a 5/16" diameter drill bit

### NOTE

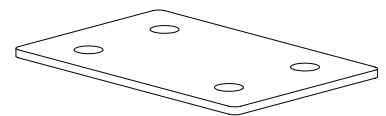
If you purchased the Java JFV65 Lowboy prior to buying the JFBD1, you may need the Sanus JFRU Update Kit to properly assemble your furniture. Look for two sets of threaded inserts on both sides of the back of the Lowboy as shown in Figure 2. If no inserts are present, contact Sanus Customer Service.



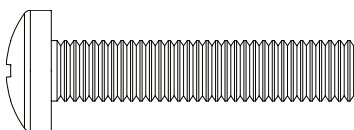
Top Backboard – A  
Qty 1



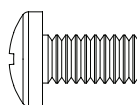
Bottom Backboard – B  
Qty 1



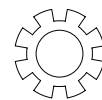
Backboard Joining Plate – C  
Qty 4



M8 x 40 mm Screw – D  
Qty 4



1/4-20 x 0.5" Screw – E  
Qty 24



1/4" Lock Washer – F  
Qty 24

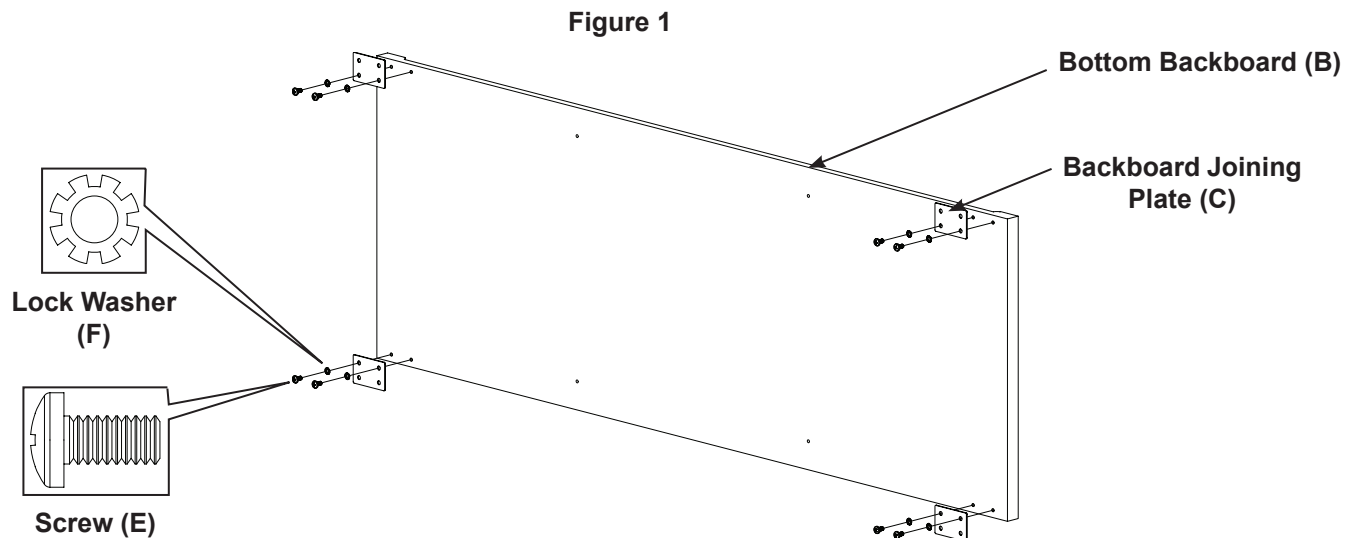
Sanus Systems 2221 Hwy 36 West, Saint Paul, MN 55113 09.27.06 (6901-100104)  
Customer Service: 800.359.5520. See complementary Sanus products at [www.sanus.com](http://www.sanus.com)

## Step 1: Attach Backboard Joining Plates to Bottom Backboard

### NOTE

Do not fully tighten the 1/4-20 x 0.5" Screws (E) until assembly is complete.

Attach the four Backboard Joining Plates (C) to the Bottom Backboard (B) with eight 1/4-20 x 0.5" Screws (E) and eight 1/4" Lock Washers (F). See Figure 1.



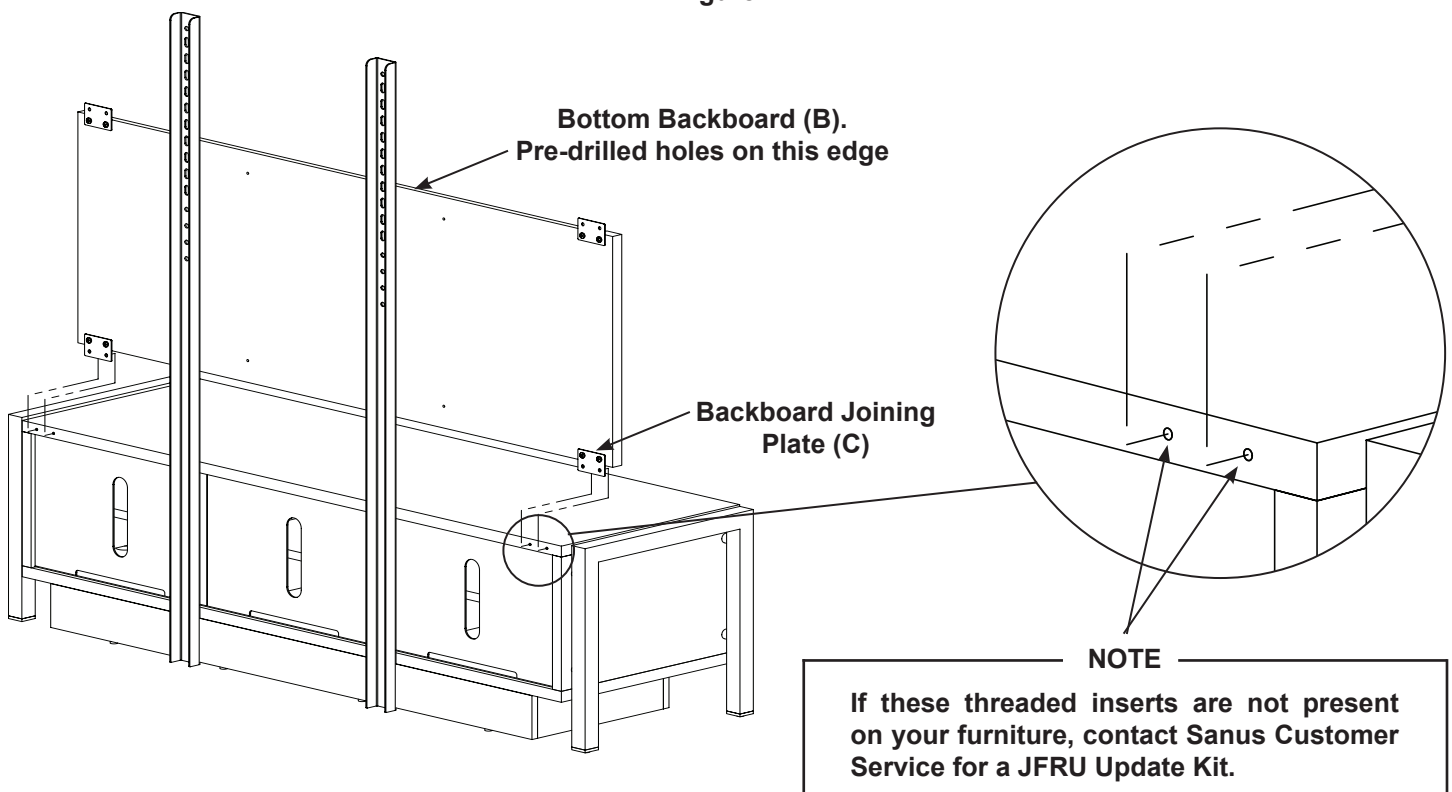
## Step 2: Attach Bottom Backboard to JFV65 Lowboy

### CAUTION

The Bottom Backboard (B) is heavy. To avoid injury or product damage, two people must lift the Backboard.

Position the Bottom Backboard (B) on the JFV65 as shown in Figure 2. The pre-drilled holes on the long edge of the Backboard should face up.

Figure 2

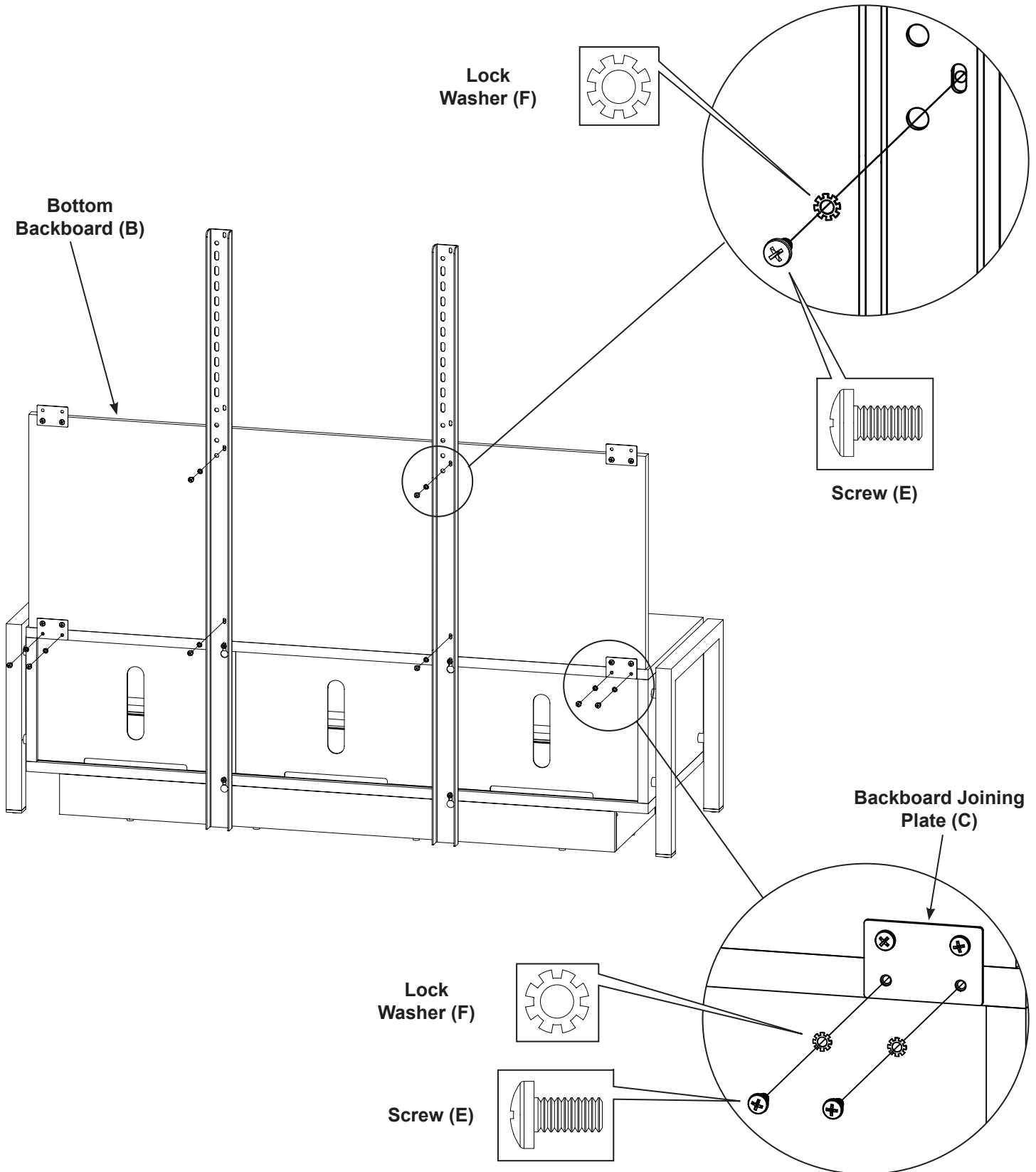


**NOTE**

**Do not fully tighten the 1/4-20 x 0.5" Screws (E) until assembly is complete.**

Attach the Bottom Backboard (B) and Backboard Joining Plates (C) to your JFV65 and the Mounting Rails with eight 1/4-20 x 0.5" Screws (E) and eight 1/4" Lock Washers (F). See Figure 3.

**Figure 3**



### Step 3: Attach Top Backboard to JFV65

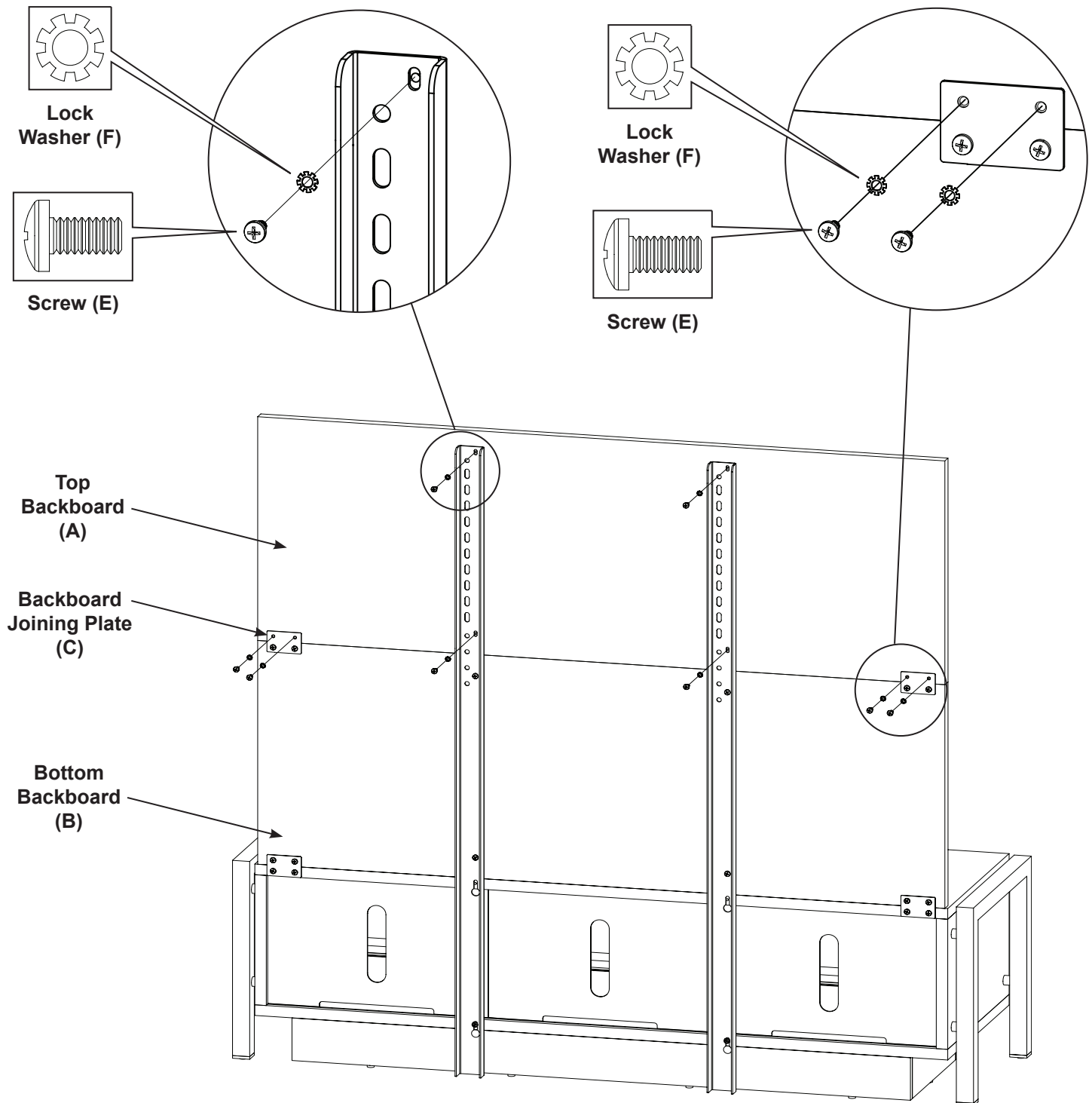
**⚠ CAUTION**

The Top Backboard (A) is heavy. To avoid injury or product damage, two people must lift the Backboard.

Position the Top Backboard (A) on the Bottom Backboard (B). Make sure the dowels on the Top Backboard fit into the holes on the Bottom Backboard. Push the Backboards together so there is no gap between them.

Use eight 1/4-20 x 0.5" Screws (E) and eight 1/4" Lock Washers (F) to fasten the Top Backboard to the Backboard Joining Plates (C), and the Mounting Rails as shown in Figure 4. Make sure all twenty-four of the 1/4-20 x 0.5" Screws are tight.

Figure 4



## Step 4: Attach Wall Plate Provided with VMPL50, VMPL250, VMPL, VMPL2, or VMPL3

Decide where you would like the Wall Plate and mark the position of the two bottom holes through the slots in the Mounting Rails. Use Table 1 below to correctly locate the position of the two upper slots in the Mounting Rails.

Table 1: Vertical(↓) Distance Between Wall Plate Slots

VMPL50	VMPL250	VMPL	VMPL2	VMPL3
4.5 in (114.3 mm)	4.5 in (114.3 mm)	6.5 in (165.1 mm)	6.5 in (165.1 mm)	6.0 in (152.4 mm)

### NOTES

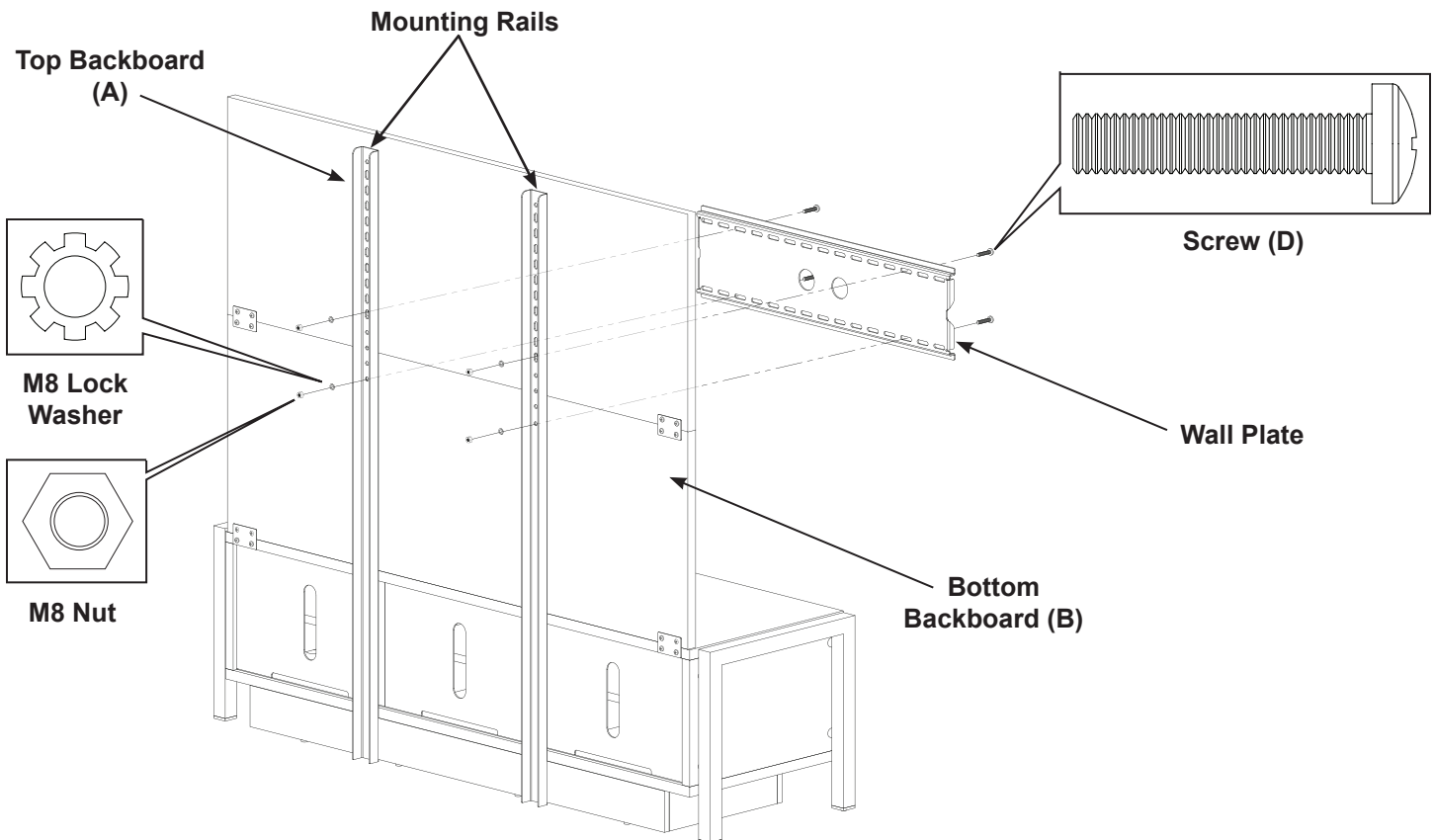
Place a piece of tape over the areas where the drill bit will come through the Backboards (A and B). This helps to prevent chipping of the wood surface. Remove the tape after the holes are drilled.

Use the M8 x 40 Screws (D). The Mounting Rail and Backboards (A and B) are too thick for the M8 x 16 mm Screws provided with the Flat Panel TV Rails.

Drill through the selected slots with a 5/16" drill bit. Drill from the back to the front of the Backboards (A and B).

Attach the Wall Plate to the Backboards (A and B) with four M8 x 40 mm Screws (D), M8 Lock Washers, and M8 Nuts, as shown in Figure 5. The M8 Lock Washers and M8 Nuts are provided with the Flat Panel TV Rails. Make sure that all the Screws are tight.

Figure 5



## Step 5: Attach VMPL50, VMPL250, VMPL, VMPL2, or VMPL3 Wall Mount

Attach the Wall Mount according to the assembly instructions provided with the unit.

## Free Manuals Download Website

<http://myh66.com>

<http://usermanuals.us>

<http://www.somanuals.com>

<http://www.4manuals.cc>

<http://www.manual-lib.com>

<http://www.404manual.com>

<http://www.luxmanual.com>

<http://aubethermostatmanual.com>

Golf course search by state

<http://golfingnear.com>

Email search by domain

<http://emailbydomain.com>

Auto manuals search

<http://auto.somanuals.com>

TV manuals search

<http://tv.somanuals.com>