

SUBMITTAL SHEET



AIRCONDITIONING PRODUCTS

SYSTEM INDOOR/OUTDOOR

36XS32A XS3632/C3632A

CEILING RECESSED (4-WAY) AIR CONDITIONER

SS36XS32A-2

GENERAL DATA (AT 230V)	
POWER V/PH/HZ	230/208/1/60
Circuit Ampacity, Min. (A)	35
Fuse size, Max. (A)	35
COMPRESSOR	
	Rotary-Hermetic
No. used	1
R.L. Amps - L.R. Amps (A)	12.7 - 95
Crankcase Heater	-
OUTDOOR FAN - TYPE	
	Propeller
Dia. (in.) - No. used	18-3/32 - 2
Type Drive - No. speeds	Direct - 2 (AUTO)
No. Poles - RPM (High)	6 - 879
No. Motors - HP	2 - 110
CAM (High)	3,670
F.L. Amps. (A)	1.8
OUTDOOR COIL - TYPE	
	Aluminum Fin & Copper Pipe
Fin Type - Pipe Type	Slit Plate - Inner Riffled
Rows - F.P.I.	2 - 12.7
Face Area (sq.ft.)	11.63
Tube Size (in.)	3/8
INDOOR FAN - TYPE	
	Turbo
Dia. & Length (in.) - No. used	19-9/32 - 1
No. speeds	3 & Auto
No. Poles -RPM (High)	6 - 560
No. Motors - HP	1- 50
CFM (HI/MED/LOW)	980/830/650
F.L. Amps (A)	0.9
INDOOR COIL - TYPE	
	Aluminum Fin & Copper Pipe
Fin Type - Pipe type	Slit Plate - riffled
Rows - F.P.I.	2 - 14.9
Face Area (sq. ft.)	5.17
Tube Size (in.)	3/8
Drain Connection Size (in.)	1-1/4
REFRIGERANT	
	R22
Lbs. - R22 (O.D. Unit)	9.48
Control	Capillary Tube
Connection	Flare
Line Length, Max (ft.)	165
Lift difference, Max (ft.)	100
Line Size - in. O.D. Discharge	3/8
Line Size - in. O.D. Suction	3/4
DIMENSIONS (in.)	
	H x W x D
Indoor Unit -Uncrated	14-3/32 x 45-9/32 x 33-27/32
-Crated	12-7/16 x 43-27/32 x 32-25/32(Indoor unit)
	4-3/32 x 49-1/2 x 39-11/32(Indoor Grille)
Outdoor unit -Uncrated	48-5/8 x 37 x 13-3/8
-Crated	52 -7/32 x 40 x 16-12/32
WEIGHT	
	INDOOR OUTDOOR
Net (lbs.)	75.0 198.0
Shipping (lbs.)	71.0/29.0(Grille) 223.0
Shipping Volume(cu.ft.)	
	10.4/4.6 (Grille) 19.8

PERFORMANCE DATA @ ARI STANDARD CONDITIONS (230/208V)

COOLING		
Total Capacity (BTU/H)		36,000/35,000
Sensible Capacity (BTU/H)		22,940/22,300
Latent Capacity (BTU/H)		13,060/12,700
SEER		10.8/11.0
Dehumidification (Pints/H)		11.9/11.9
Amps (A)		15.4/16.0
Power Inputs (W)		3,440/3,250
Outdoor Sound Rating (bels)		7.9

FEATURE

Controls	Microprocessor
Remote Controller	LCD Wireless type
Temperature Control	IC Thermostat
Timer	ON/OFF, 24 hours
Night Setback	Built-In
Air Louver (Horizontal)	-
(Vertical)	Automatic
Power Failure Automatic Restart	Built-In
Self Diagnosis	N/A

OPTION

Refrigerant Line Set	AP3210BH (30 ft)
	AP3215BH (50 ft)
Low Ambient Control	Available
Fresh Air Intake	-
Central Remote ON-OFF Control	Available
Air duct Extension	Available
Indoor Frame Extension	N/A
Condensate Drain Pump	RCS5PS4B
Non-Removable Remo-con Bracket	RCS-102WD/RCS-302WD

OPERATING RANGE

Cooling	Indoor Air Intake Temp.	Outdoor Air Intake Temp.
Maximum	95 F DB/71 F WB	115 F DB
Minimum	67 F DB/57 F WB	67 F DB

CERTIFICATION



36XS32A

SUBMITTAL SHEET



AIRCONDITIONING PRODUCTS

SYSTEM

INDOOR/OUTDOOR

36XLS32A

XS3632/CL3632A

CEILING RECESSED (4-WAY) LOW AMBIENT AIR CONDITIONER

SS36XLS32A-2

GENERAL DATA(AT 230V)

POWER V/PH/HZ	230/208/1/60		
Circuit Ampacity, Min. (A)	35		
Fuse size, Max. (A)	35		
COMPRESSOR	Rotary-Hermetic		
No. used	1		
R.L. Amps - L.R. Amps (A)	12.7 -95		
Crankcase Heater	-		
OUTDOOR FAN - TYPE	Propeller		
Dia. (in.) - No. used	18-3/32 - 2		
Type Drive - No. speeds	Direct - 2 (AUTO)		
No. Poles - RPM (High)	6 - 879		
No. Motors - HP	2 - 110		
CAM (High)	3,670		
F.L. Amps. (A)	1.8		
OUTDOOR COIL - TYPE	Aluminum Fin & Copper Pipe		
Fin Type - Pipe Type	Slit Plate - Inner Riffled		
Rows - F.P.I.	2 - 12.7		
Face Area (sq.ft.)	11.63		
Tube Size (in.)	3/8		
INDOOR FAN - TYPE	Turbo		
Dia. & Length (in.) - No. used	19-9/32 -1		
No. speeds	3 & Auto		
No. Poles -RPM (High)	6 - 560		
No. Motors - HP	1- 50		
CFM (HI/MED/LOW)	980/830/650		
F.L. Amps (A)	0.9		
INDOOR COIL - TYPE	Aluminum Fin & Copper Pipe		
Fin Type - Pipe type	Slit Plate - riffled		
Rows - F.P.I.	2 - 14.9		
Face Area (sq. ft.)	5.17		
Tube Size (in.)	3/8		
Drain Connection Size (in.)	1-1/4		
REFRIGERANT	R22		
Lbs. - R22 (O.D. Unit)	9.48		
Control	Capillary Tube		
Connection	Flare		
Line Length, Max (ft.)	165		
Lift difference, Max (ft.)	100		
Line Size - in. O.D. Discharge	3/8		
Line Size - in. O.D. Suction	3/4		
DIMENSIONS (in.)	H	x W	x D
Indoor Unit -Uncrated	14-3/32	x 45-9/32	x 33-27/32
-Crated	12-7/16	x 43- 27/32	x 32-25/32(Indoor unit)
	4-3/32	x 49-1/2	x 39-11/32(Indoor Grille)
Outdoor Unit -Uncrated	48-5/8	x 37	x 13-3/8
-Crated	52 -7/32	x 40	x 16-12/32
WEIGHT	INDOOR	OUTDOOR	
Net (lbs.)	75.0	198.0	
Shipping(lbs.)	71.0/29.0(Grille)	223.0	
Shipping Volume (cu.ft.)	10.4/4.6(Grille)	19.8	

PERFORMANCE DATA @ ARI STANDARD CONDITIONS (230/208V)

COOLING		
Total Capacity	(BTU/H)	36,000/35,000
Sensible Capacity	(BTU/H)	22,940/22,300
Latent Capacity	(BTU/H)	13,060/12,700
SEER		10.8/11.0
Dehumidification	(Pints/H)	11.9/11.9
Amps	(A)	15.4/16.0
Power Inputs	(W)	3,440/3,250
Outdoor Sound Rating	(bels)	7.9

FEATURE

Controls	Microprocessor
Remote Controller	LCD Wireless type
Temperature Control	IC Thermostat
Timer	ON/OFF, 24 hours
Night Setback	Built-In
Air Louver (Horizontal)	-
(Vertical)	Automatic
Power Failure Automatic Restart	Built-In
Self Diagnosis	N/A

OPTION

Refrigerant Line Set	AP3210BH (30 ft) AP3215BH (50 ft)
Low Ambient Control	Equipped
Fresh Air Intake	-
Central Remote ON-OFF Control	Available
Airduct Extension	Available
Indoor Frame Extension	N/A
Condensate Drain Pump	RCS5PS4B
Non-Removable Remo-con Bracket	RCS-102WD/RCS-302WD

OPERATING RANGE

Cooling	Indoor Air	Outdoor Air
	<u>Intake Temp.</u>	<u>Intake Temp.</u>
Maximum	95 F DB/71 F WB	115 F DB
Minimum	67 F DB/57 F WB	0 F DB

CERTIFICATION

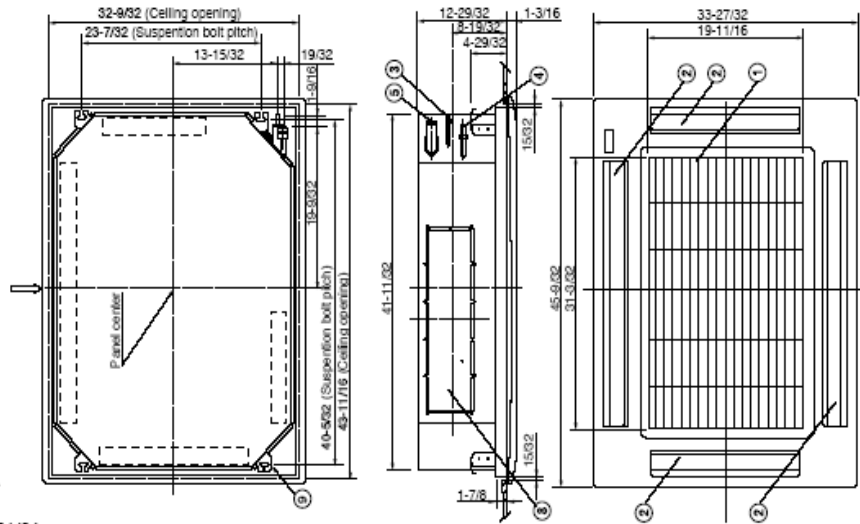
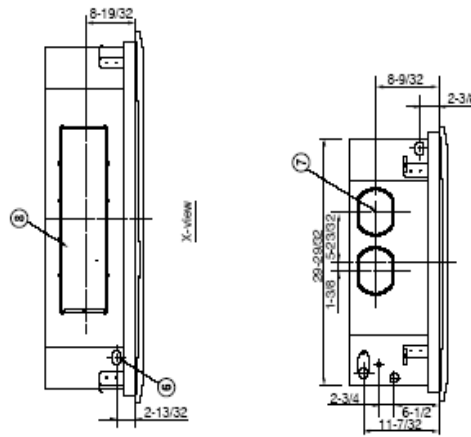
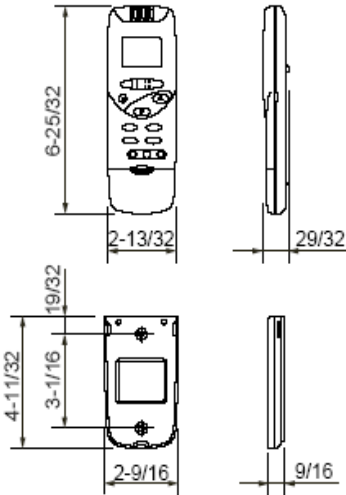


36XLS32A

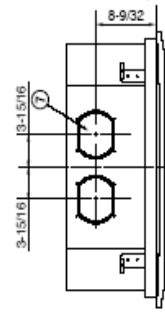
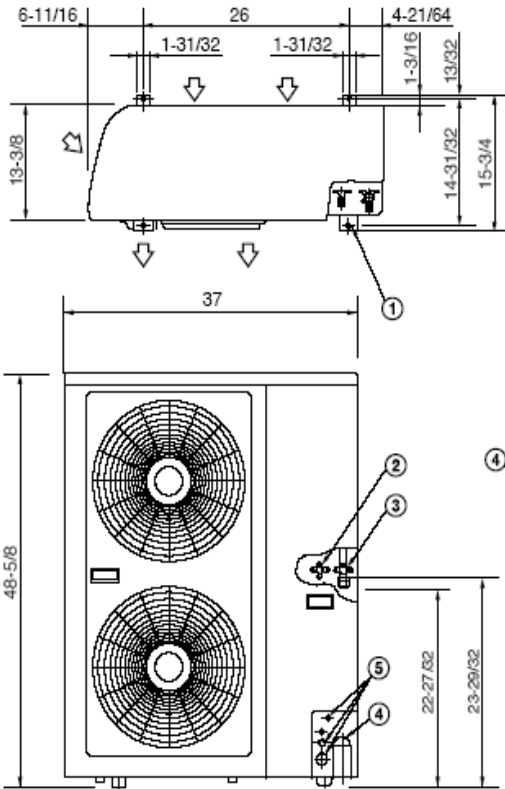
Dimensional Data

Indoor Unit: XS3632

Remote Control Unit



Outdoor Unit: C3632A, CL3632A



Dimension : inch

- ① Air intake grille
- ② Air outlet
- ③ Refrigerant liquid line (ø3/8")
- ④ Refrigerant gas line (ø3/4")
- ⑤ Drain connection
- ⑥ Power supply entry
- ⑦ For discharge duct
- ⑧ Humidifier (option) mounting hole
- ⑨ Suspension bolt mounting

Dimension : inch

- ① Hole for anchor bolt (4-ø13)
- ② Refrigerant tube joint (narrow tube)
Flare connection 3/8 in (9.52 mm)
- ③ Refrigerant tube joint (wide tube)
Flare connection 3/4 in (19.05 mm)
- ④ Refrigerant tubing inlet
- ⑤ Power supply inlet

1581_C_5

WARRANTY

SANYO products are warranted against defects in materials and workmanship for the period below;

	LABOR	PARTS
Compressor	30 Days	5 Years
Other Components	N/A	1 Year

Full specific warranty rights, conditions, exclusions and obligations are specified in the warranty packed with each products.

Because of a policy of continuous product improvements, SANYO reserves the right to change specifications and design without notice.

SANYO FISHER COMPANY
 A Division of SANYO North America Corporation
 21605 Plummer St. Chatsworth, CA 91311
 Phone : (818) 998-7322
 Fax : (818) 701-4160
 Website: <http://www.sanyohvac.com>

Free Manuals Download Website

<http://myh66.com>

<http://usermanuals.us>

<http://www.somanuals.com>

<http://www.4manuals.cc>

<http://www.manual-lib.com>

<http://www.404manual.com>

<http://www.luxmanual.com>

<http://aubethermostatmanual.com>

Golf course search by state

<http://golfingnear.com>

Email search by domain

<http://emailbydomain.com>

Auto manuals search

<http://auto.somanuals.com>

TV manuals search

<http://tv.somanuals.com>