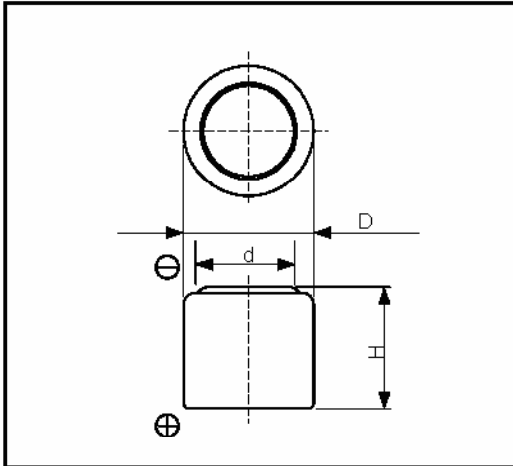


## Cell Type CR1/3N Specifications



Nominal Capacity <sup>*1</sup>	160mAh	
Nominal Voltage	3V	
Standard Discharge Current	2mA	
Max. Discharge Current	Continuous <sup>*2</sup>	60mA
	Pulse <sup>*3</sup>	80mA
Temperature Range	-40°C ~ 60°C	
Weight	3.3g	
Dimensions	D	11.6mm
	H	10.8mm
	d	9.1mm

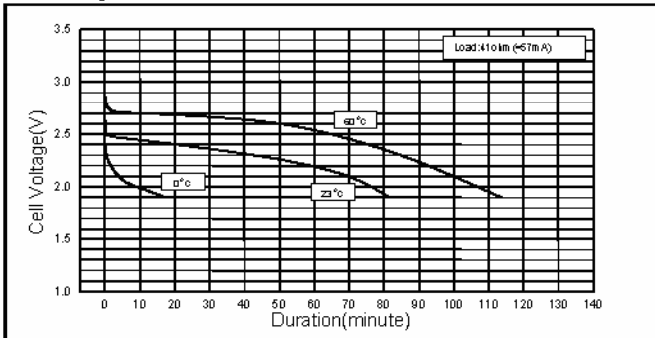
\*1 Nominal capacity is determined to an end voltage of 2.0V when the battery is allowed to discharge at a standard current level at 23°C.

\*2 Current value is determined to be the level at which 50% of the nominal capacity is obtained with an end voltage of 2.0V at 23 °C.

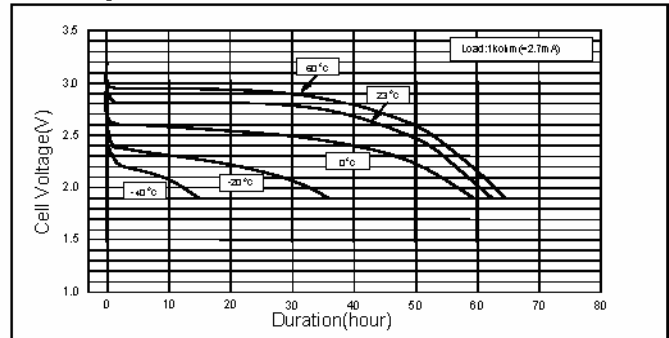
\*3 Current value for obtaining 2.0V cell voltage when pulse is applied for 15seconds at 50% discharge depth at 23 °C.

### Typical Characteristics

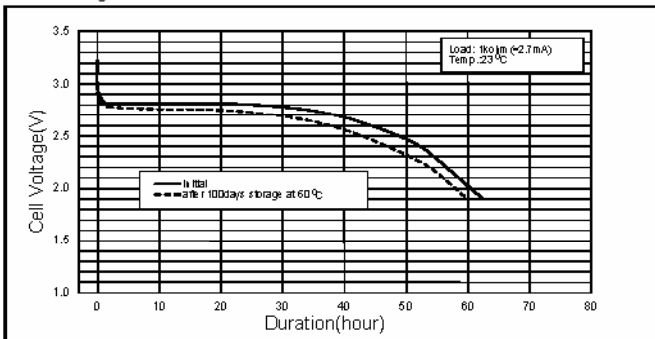
Discharge Characteristics of CR1/3N



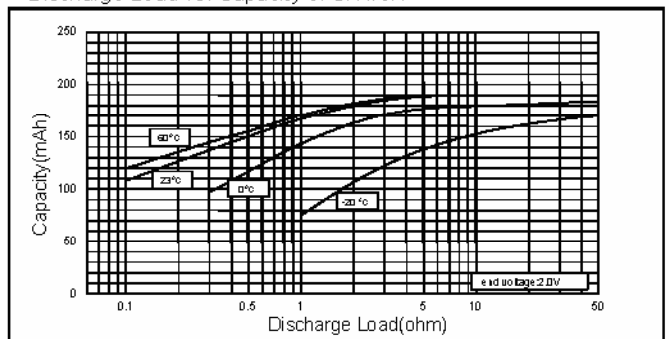
Discharge Characteristics of CR1/3N



Discharge Characteristics of CR1/3N



Discharge Load vs. Capacity of CR1/3N



## Free Manuals Download Website

<http://myh66.com>

<http://usermanuals.us>

<http://www.somanuals.com>

<http://www.4manuals.cc>

<http://www.manual-lib.com>

<http://www.404manual.com>

<http://www.luxmanual.com>

<http://aubethermostatmanual.com>

Golf course search by state

<http://golfingnear.com>

Email search by domain

<http://emailbydomain.com>

Auto manuals search

<http://auto.somanuals.com>

TV manuals search

<http://tv.somanuals.com>