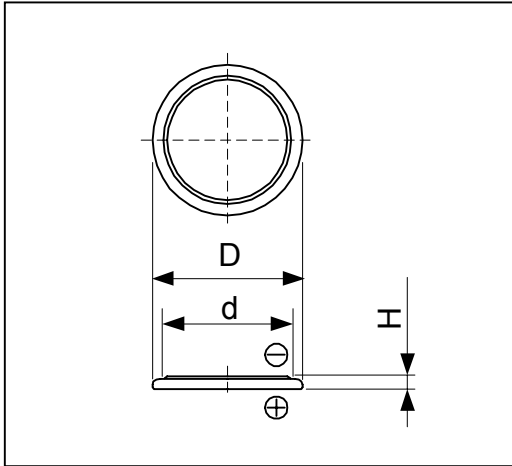


# Cell Type CR2016 Specifications



Nominal Capacity* <sup>1</sup>		80mAh
Nominal Voltage		3V
Standard Discharge Current		0.3mA
Max. Discharge Current	Continuous* <sup>2</sup>	5mA
	Pulse* <sup>3</sup>	50mA
Temperature Range		-20°C ~ 70°C
Weight		1.7g
Dimensions	D	20.0mm
	H	1.6mm
	d	16.9mm

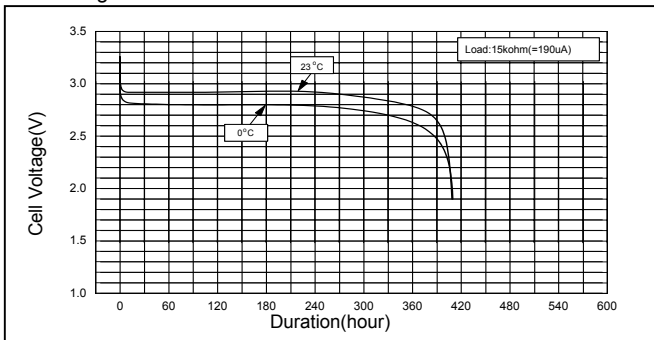
\*1 Nominal capacity is determined to an end voltage of 2.0V when the battery is allowed to discharge at a standard current level at 23°C.

\*2 Current value is determined to be the level at which 50% of the nominal capacity is obtained with an end voltage of 2.0V at 23 °C.

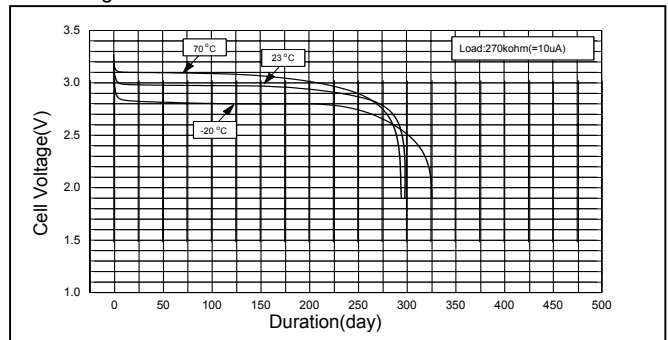
\*3 Current value for obtaining 2.0V cell voltage when pulse is applied for 15seconds at 50% discharge depth at 23 °C.

## Typical Characteristics

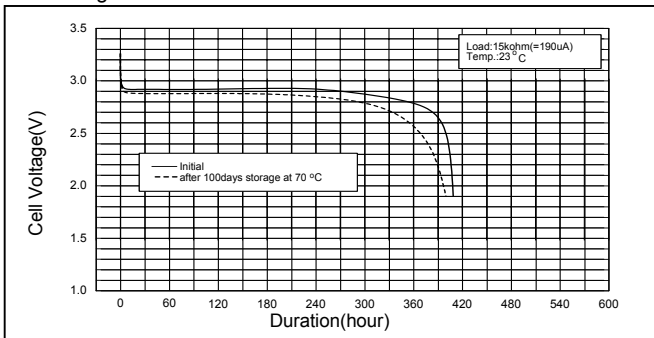
Discharge Characteristics of CR2016



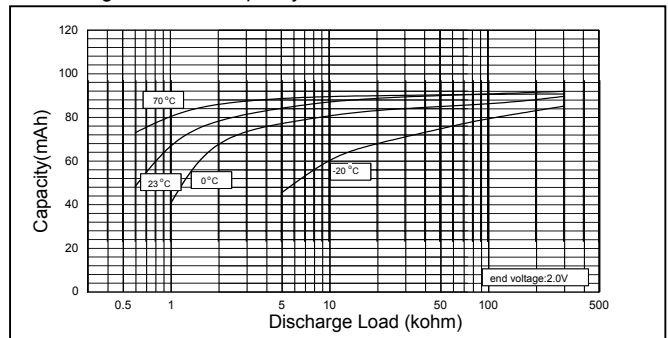
Discharge Characteristics of CR2016



Discharge Characteristics of CR2016



Discharge Load vs. Capacity of CR2016



## Free Manuals Download Website

<http://myh66.com>

<http://usermanuals.us>

<http://www.somanuals.com>

<http://www.4manuals.cc>

<http://www.manual-lib.com>

<http://www.404manual.com>

<http://www.luxmanual.com>

<http://aubethermostatmanual.com>

Golf course search by state

<http://golfingnear.com>

Email search by domain

<http://emailbydomain.com>

Auto manuals search

<http://auto.somanuals.com>

TV manuals search

<http://tv.somanuals.com>