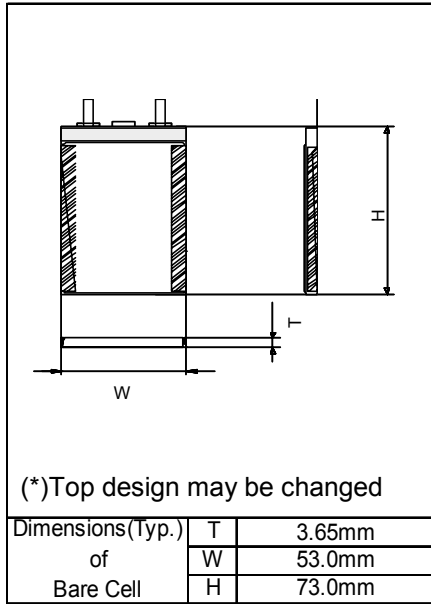


Lithium Polymer

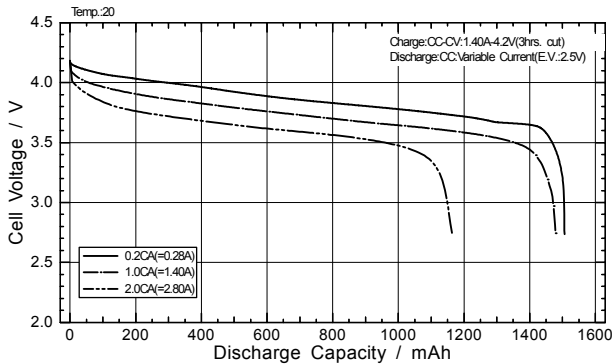
Cell Type UPF385374 Specifications



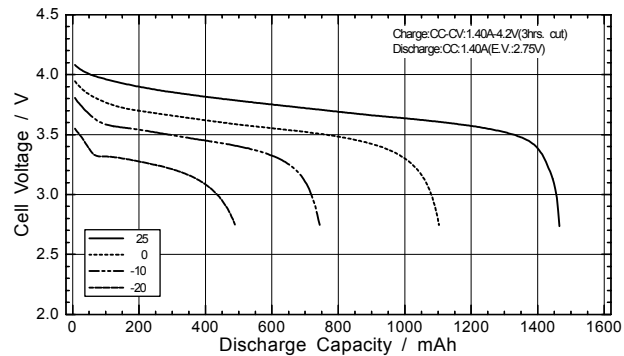
Nominal Capacity		1400mAh
Nominal Voltage		3.7V
Charging Method		Constant Current -Constant Voltage
Charging Voltage		4.2V
Charging Current		Std. 1400mA
Charging Time		3.0hrs.
Ambient Temperature	Charge	0 ~ +40°C
	Discharge	-20 ~ +60°C
	Storage	-20 ~ +60°C
Weight (Max.)		31.0g
Dimensions (Max.)	(T) *	3.85mm
	(W)	53.00mm
	(H)	73.50mm
Volumetric Energy Density		345Wh/l
Gravimetric Energy Density		167Wh/kg

Typical Characteristics

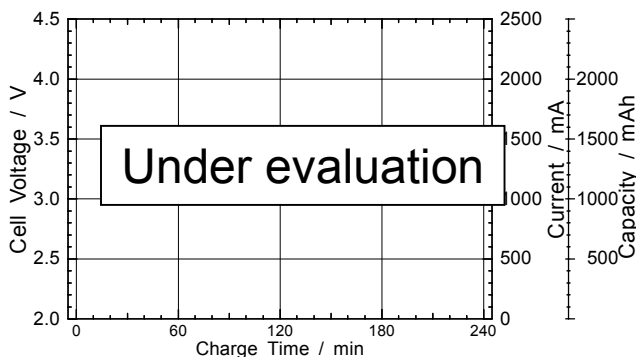
Discharge rate characteristics



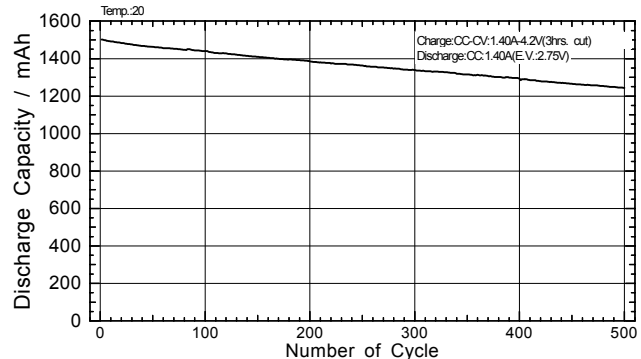
Discharge temperature characteristics



Charge characteristics



Cycle characteristics



Free Manuals Download Website

<http://myh66.com>

<http://usermanuals.us>

<http://www.somanuals.com>

<http://www.4manuals.cc>

<http://www.manual-lib.com>

<http://www.404manual.com>

<http://www.luxmanual.com>

<http://aubethermostatmanual.com>

Golf course search by state

<http://golfingnear.com>

Email search by domain

<http://emailbydomain.com>

Auto manuals search

<http://auto.somanuals.com>

TV manuals search

<http://tv.somanuals.com>