



*Industrial Bar Code Printers*

# ***CL6XXe Printer***



# ***Parts List***

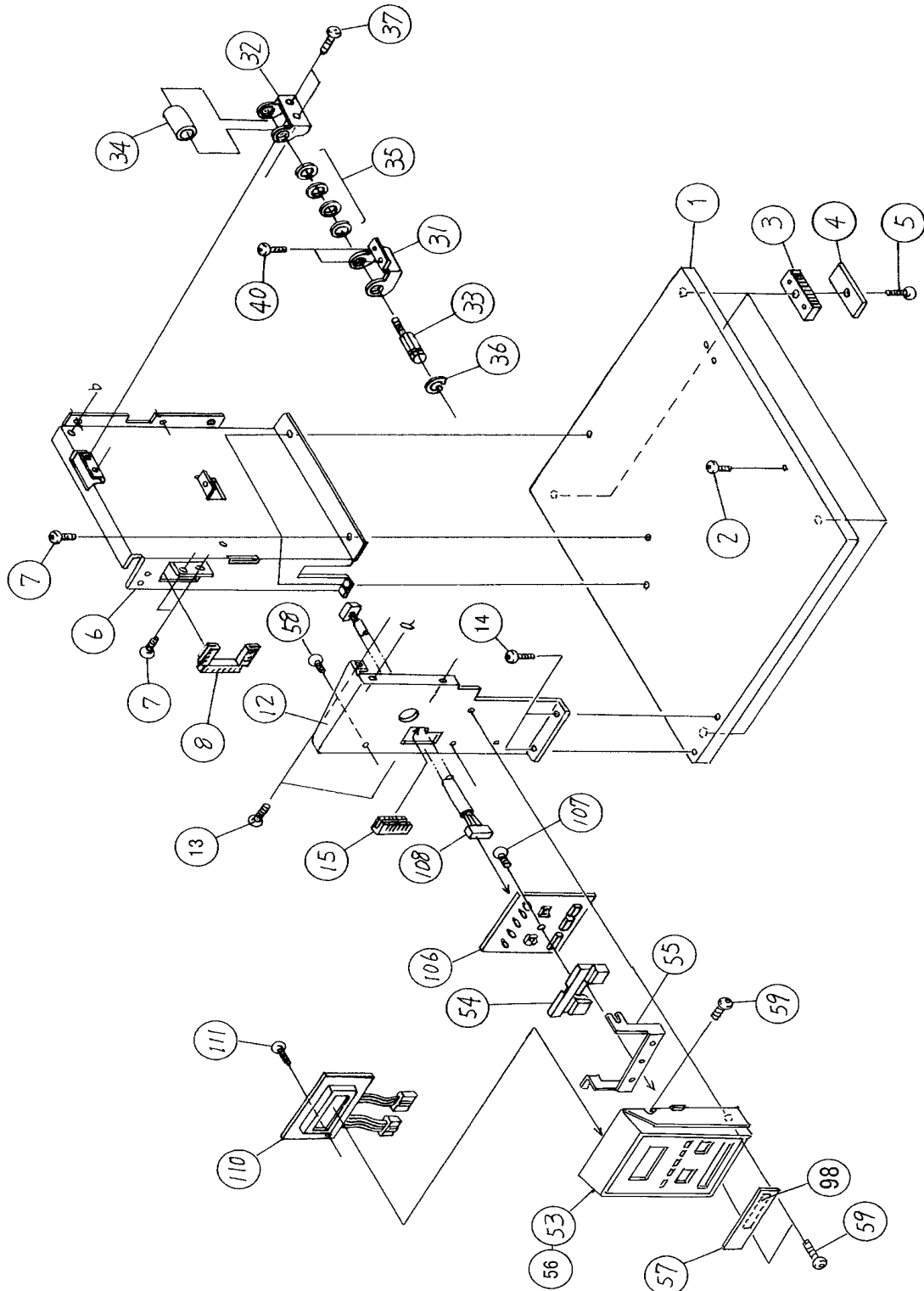
---

# Table of Contents

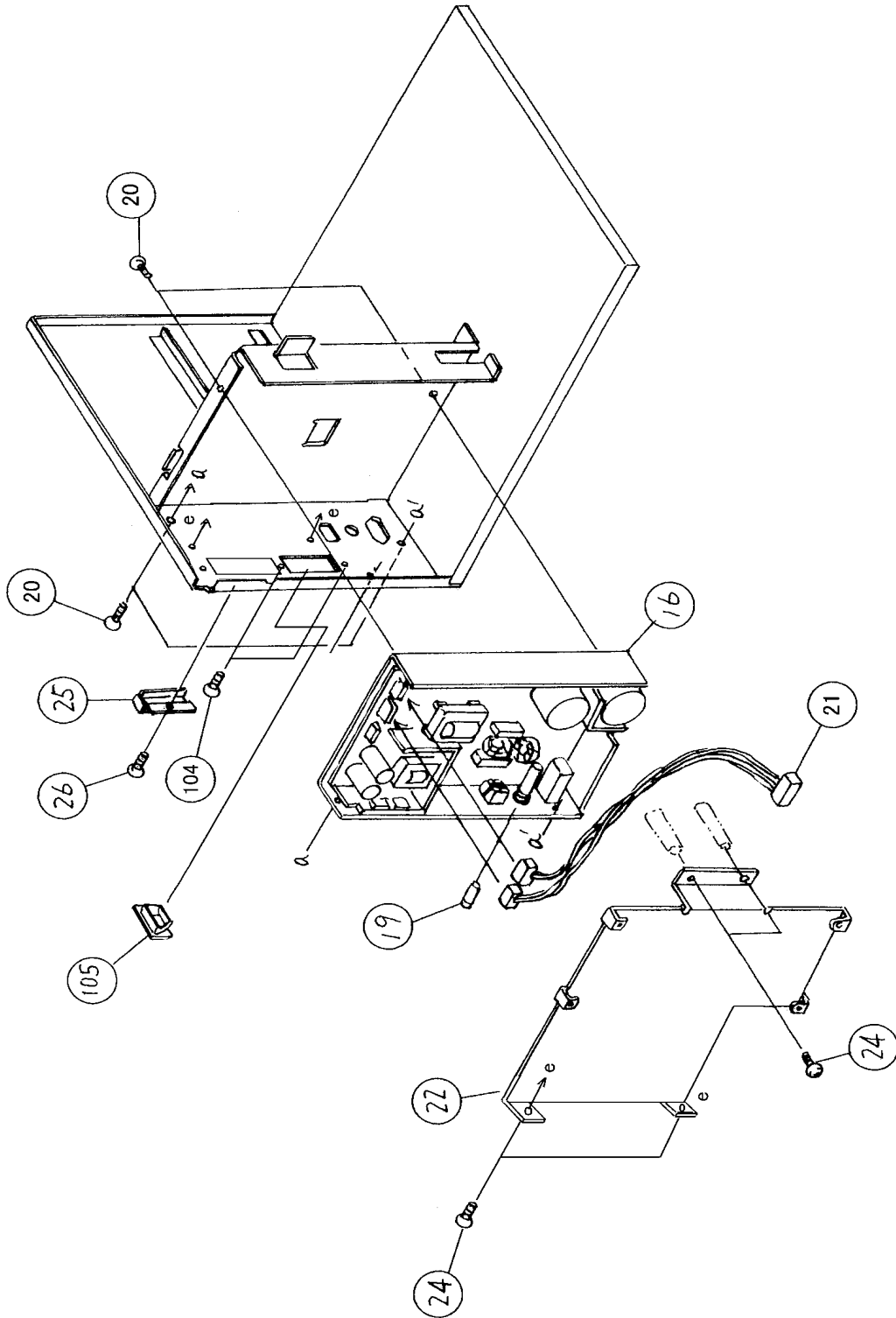
---

<b>CL6XXe Parts List</b>	<b>Page</b>
<b>Base Cover Assembly .....</b>	<b>3</b>
<b>Frame Assembly .....</b>	<b>12</b>
<b>Print Head Assembly .....</b>	<b>19</b>
<b>Ribbon Assembly .....</b>	<b>23</b>
<b>Feed Roller Assembly .....</b>	<b>28</b>
<b>Main PCB Assembly .....</b>	<b>31</b>
<b>Interface Option .....</b>	<b>32</b>
<b>Dispenser Assembly Option .....</b>	<b>33</b>
<b>Cutter Assembly Option .....</b>	<b>40</b>
<b>PCMCIA Memory Option .....</b>	<b>44</b>

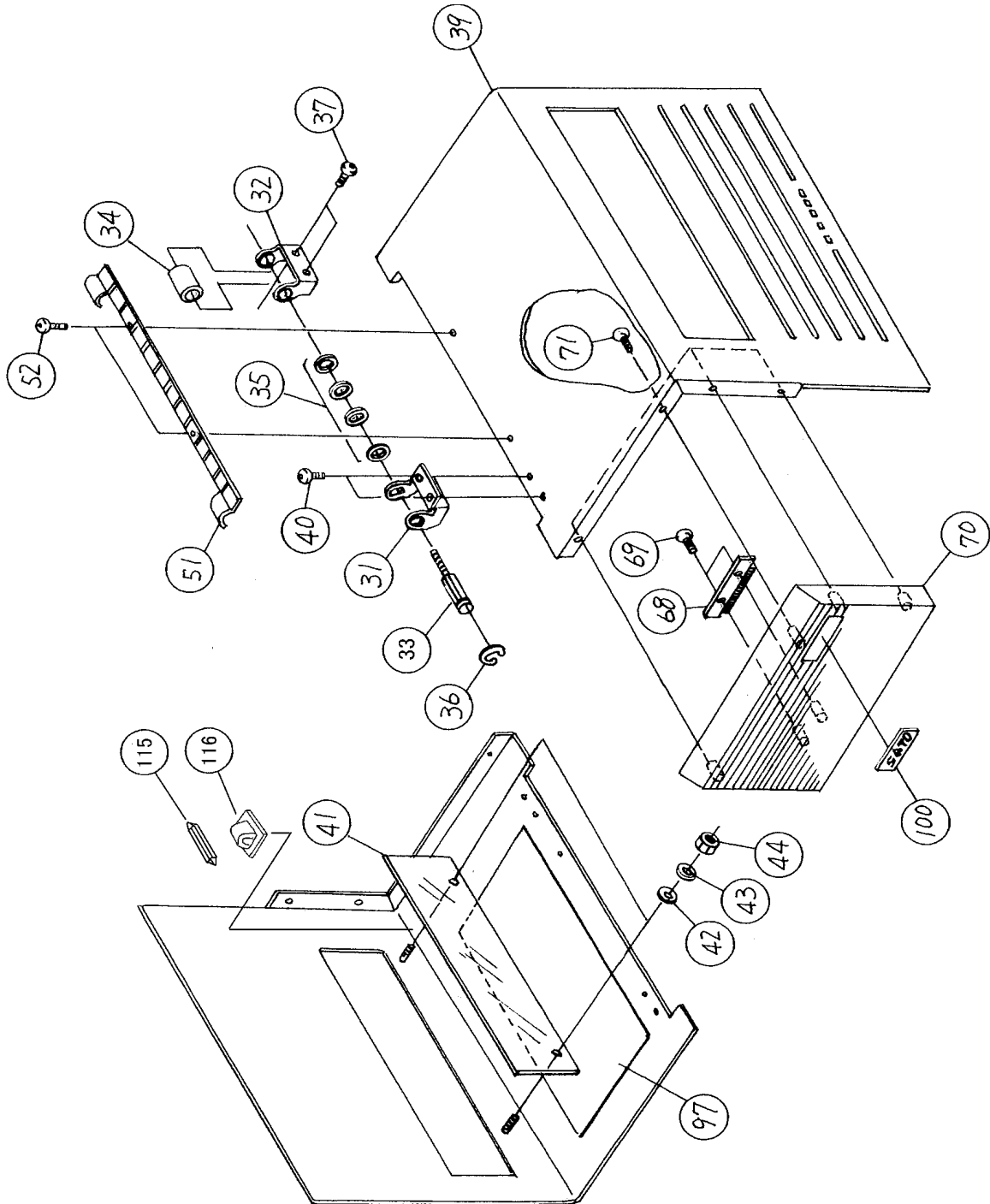
# Base Cover Assembly



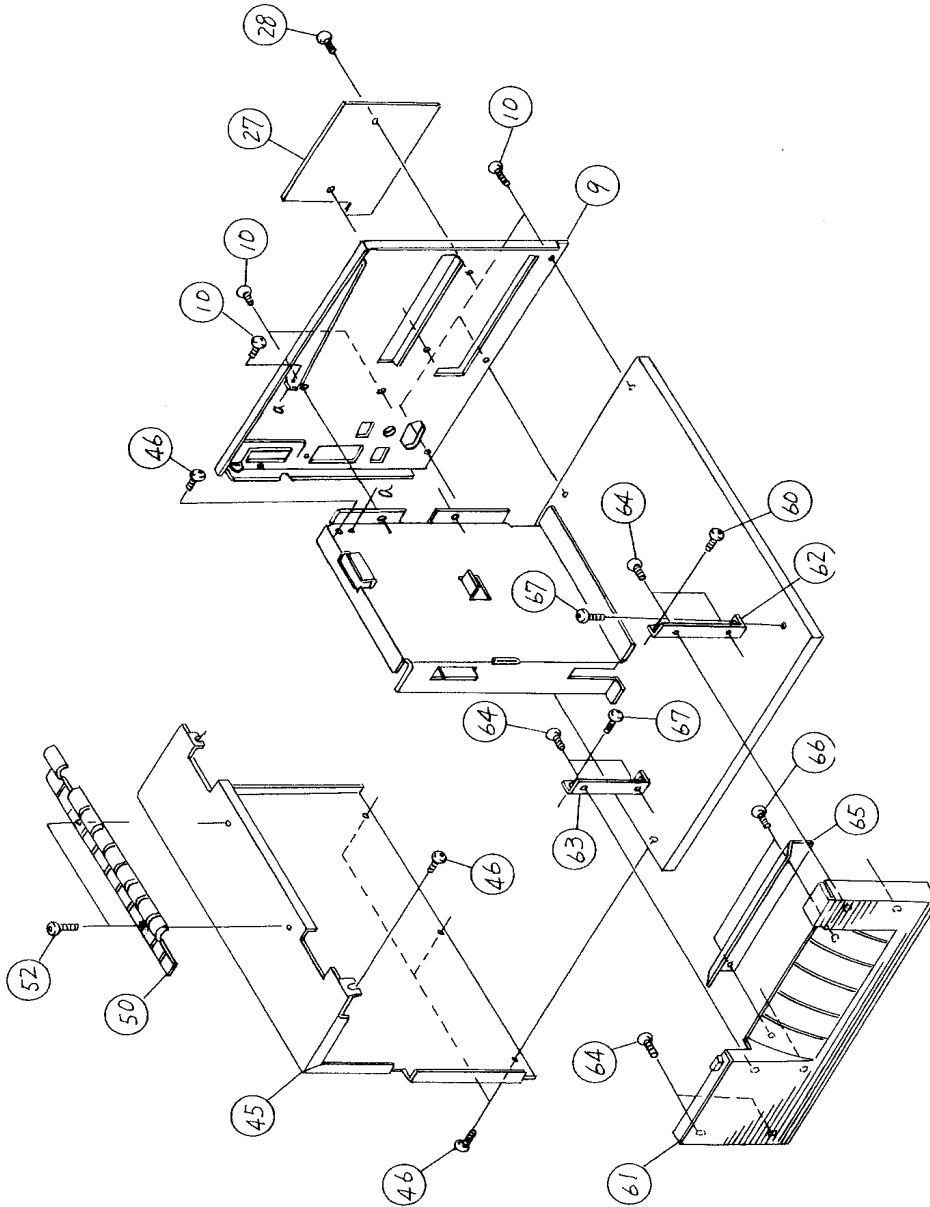
# Base Cover Assembly



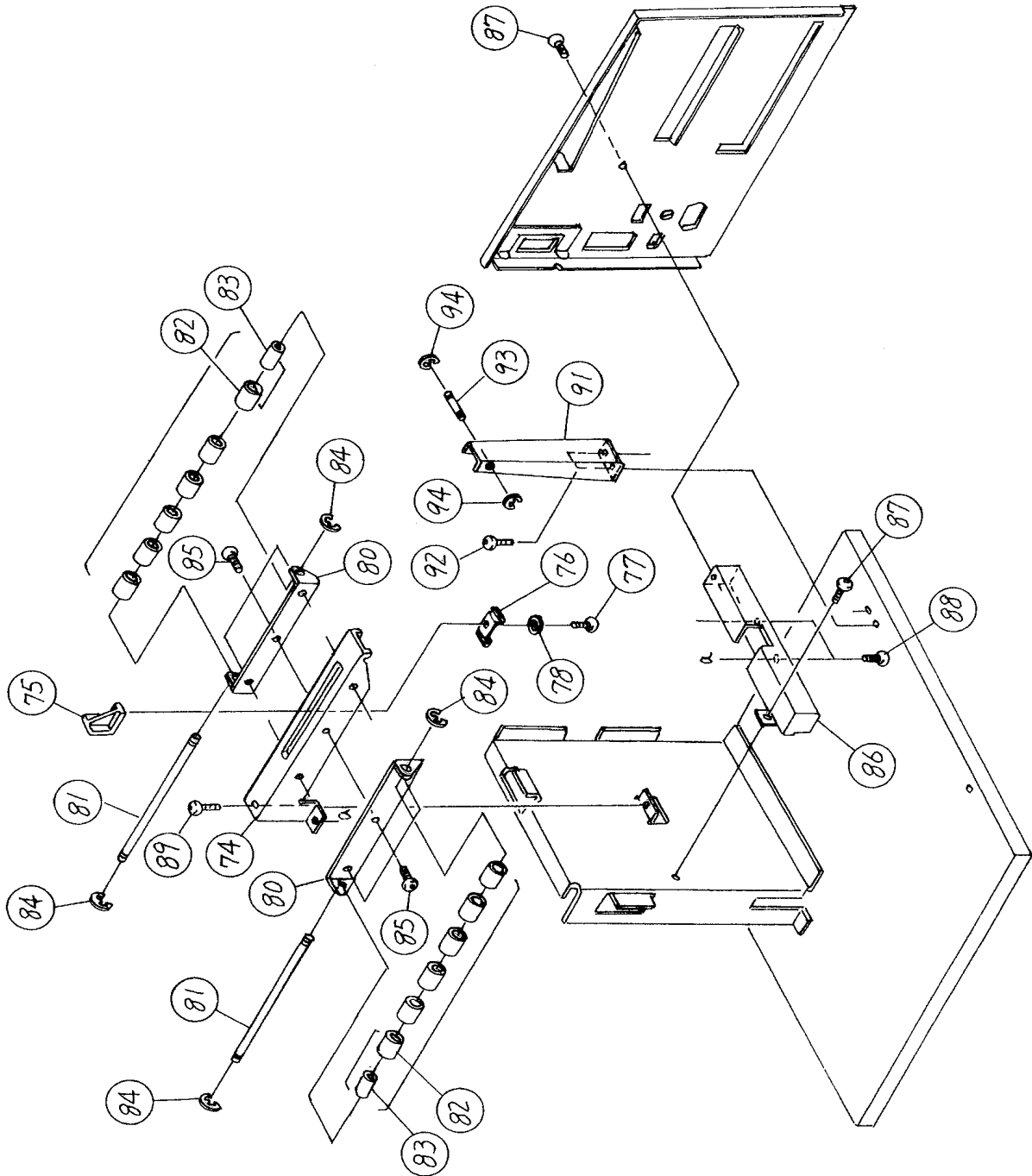
# Base Cover Assembly



# Base Cover Assembly



# Base Cover Assembly



**Base Cover Assembly**

NO.	CODE	DESCRIPTION	QTY
1	PH1720101	Base Frame	1
2	MH4300621	S-tight screw	1
3	PE6721100	Foot	4
4	PV2720100	Foot rubber	4
5	MD4301021	Pan head screw	4
6	PH1720200	Center frame	1
7	MD4400821	Pan head screw	5
8	PV9720200	Bush	1
9	PZ0725001	Cover Rear	1
10	MD4300821	Pan head screw	6
12	PH1720400	Front frame	1
13	MD3401021	Pan head screw	3
14	MD4400821	Pan head screw	2
15	PV9720600	Bush	1
16	KA500821A	Power Supply	1
19	HD100311A	Fuse (6.3A,250V)	1
20	MD4300621	Pan head screw	4
21	RH1727700	Power Supply Cable	1
22	PA1729700	PCB Bracket	1
24	MD4300821	Pan head screw	4
25	PE6771001	Memory card cover	1
26	PB5A20001	Head Screw	1
27	PH1720700	Lid	1
28	MD4300821	Pan head screw	2



**Base Cover Assembly**

NO.	CODE	DESCRIPTION	QTY
31	PA1722300	Hinge bracket (A)	2
32	PA1722400	Hinge bracket (B)	2
33	PB5720100	Screw	2
34	PB5720200	Screw	2
35	NB5100030	Spring	8
36	ND3120024	E-Ring	2
37	MD4300821	Pan head screw	4
39	PR4720100	Cover RH	1
40	MD4300821	Pan head screw	4
41	PH2720100	Window	1
42	NA1030022	Plain washer	2
43	NB0030022	Spring washer	2
44	MT1300522	Hex nut	2
45	PH1720601	Cover LH	1
46	MD4300821	Pan head screw	5
50	PE6720900	Hinge cover (LH)	1
51	PE6721000	Hinge cover (RH)	1
52	MA7300625	Truss screw	4
53	PR4725000	Key Board Cover (CL608e)	1
54	PE6720800	Switch button	1
55	PA1728600	Plate	1
56	PR4725100	Key Board Cover (CL612e)	1
57	PR4720300	Dip-sw cover	1
58	MH0300821	P tight screw	1
59	MD4301021	Pan head screw	3
60	MD3300521	Pan head screw	1

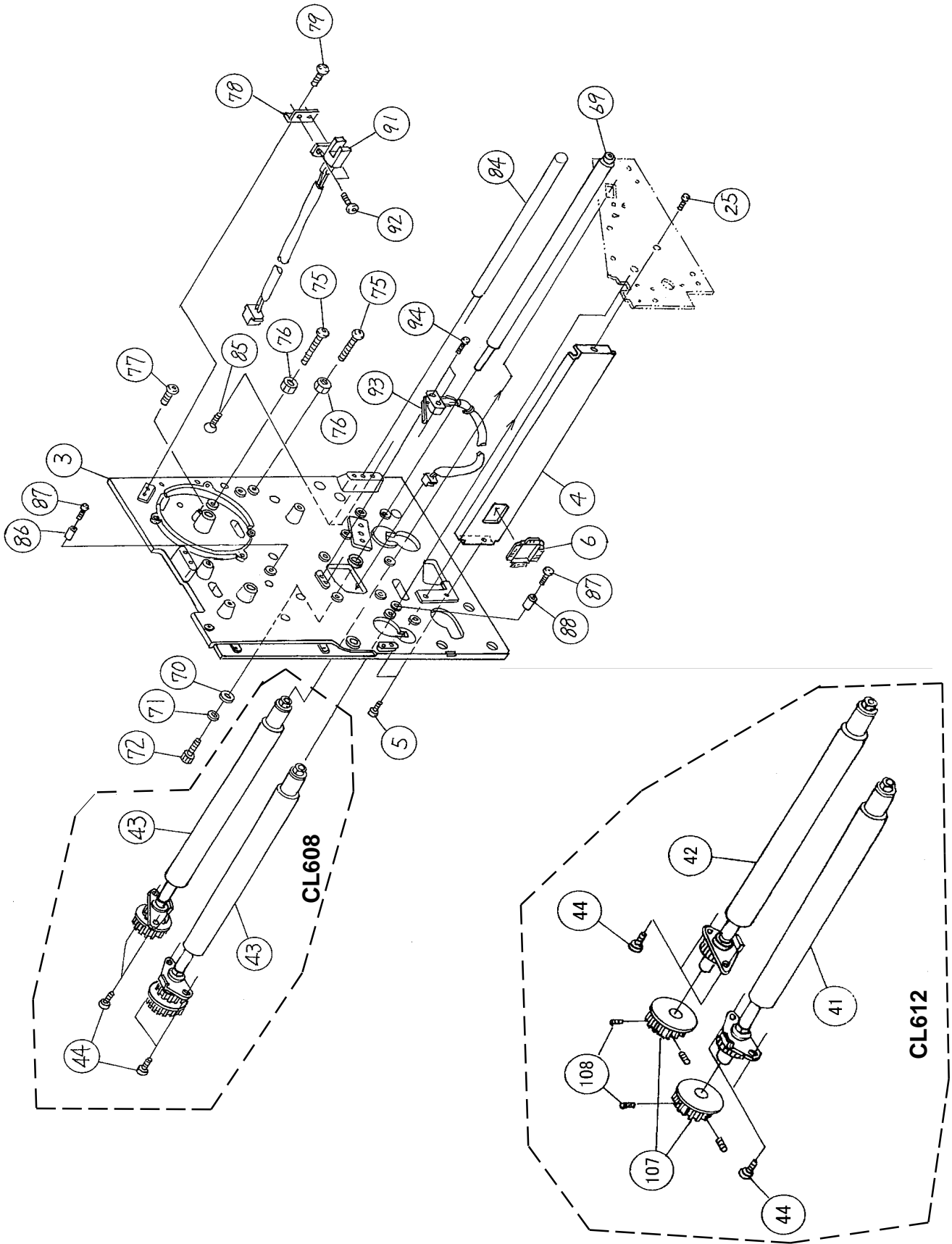
**Base Cover Assembly**

<b>NO.</b>	<b>CODE</b>	<b>DESCRIPTION</b>	<b>QTY</b>
61	PH0720200	Front cover	1
62	PA1722500	Front cover bracket (A)	1
63	PA1722600	Front cover bracket (B)	1
64	MH0300821	P tight screw	6
65	PA1724000	Tear-off cutter	1
66	MH0300821	P tight screw	2
67	MD4300821	Pan head screw	2
68	PR1340500	Brush	1
69	MH0300821	P tight screw	2
70	PH0720300	Cover RH sub	1
71	MH0300821	P tight screw	4
74	PA1729100	Paper holder	1
75	PE1720300	Label stopper	1
76	PA4520300	Stopper spring	1
77	MH0300821	P tight screw	1
78	NA1030022	Plain washer	1
80	PA1729200	Roller bracket	2
81	PB0723600	Shaft (Unwind)	2
82	PE3720200	Roller	12
83	PE3720500	Roller	12
84	ND0040030	E-Ring	4
85	MD4300821	Pan head screw	6
86	PA1723700	Unwind bracket (A)	1
87	MD4300821	Pan head screw	2
88	MD4300821	Pan head screw	2
89	MD4400821	Pan head screw	1

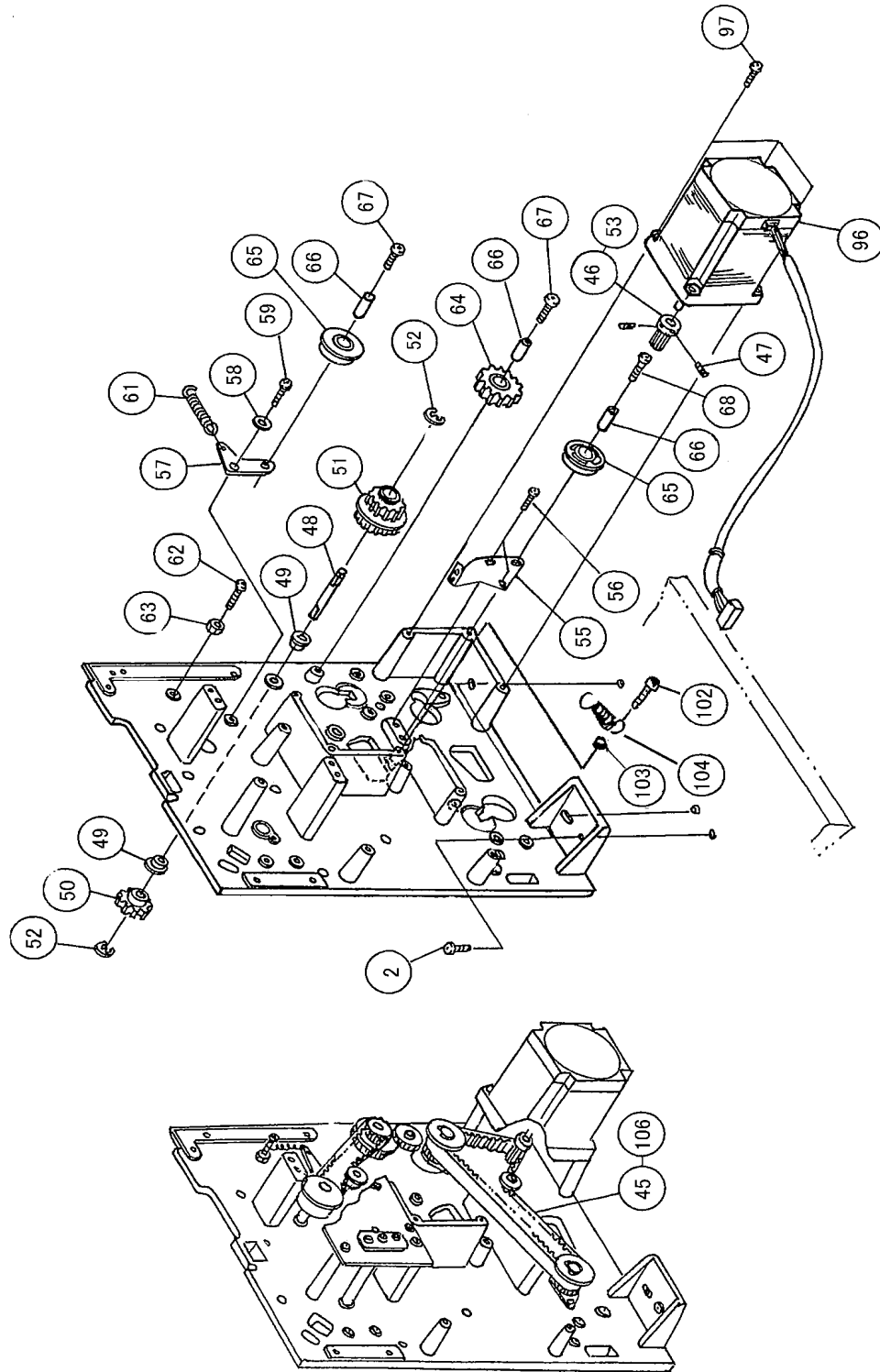
**Base Cover Assembly**

<b>NO.</b>	<b>CODE</b>	<b>DESCRIPTION</b>	<b>QTY</b>
91	PR3720100	Unwind Bracket (B)	1
92	MD4300821	Pan head screw	2
93	PB0722500	Shaft (unwind)	1
94	ND0030030	E-Ring	2
97	QC6725000	Sticker (Route DIP SW)	1
98	QC6722300	Sticker	1
100	QC6685403	Log Name Plate	1
104	MA0300622	Pan head screw	2
105	JG900411A	Cap	1
106	RJ1721600	KB PCB Set	1
107	MH0300821	P tight screw	1
108	RH1720400	Control Panel	1
110	RH1745700	Cable Assy	1
111	MH0250621	P-tight screw	1
115	PE6A21900	Micro Driver	1
116	JG100551A	CK clamp	1

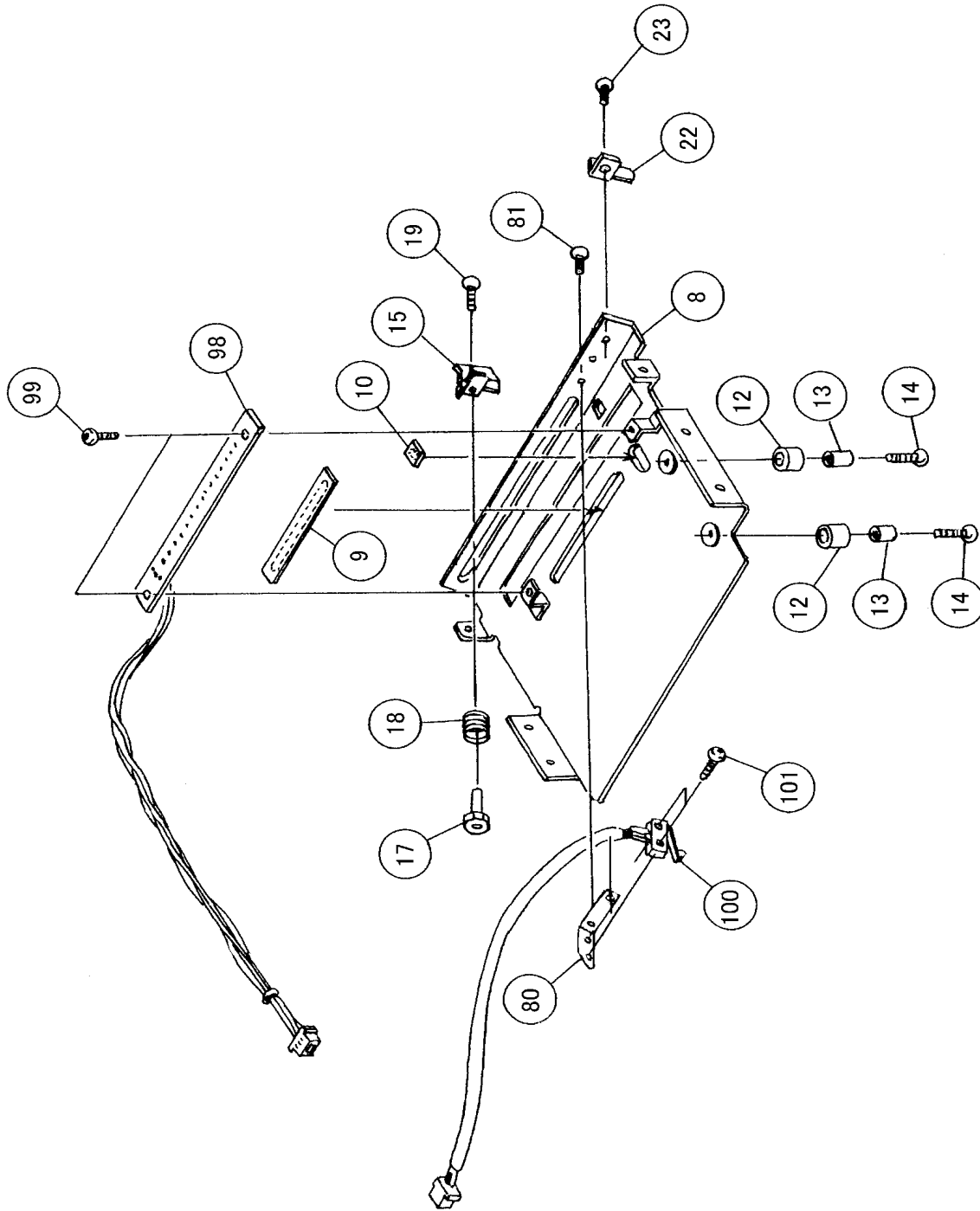
# Frame Assembly



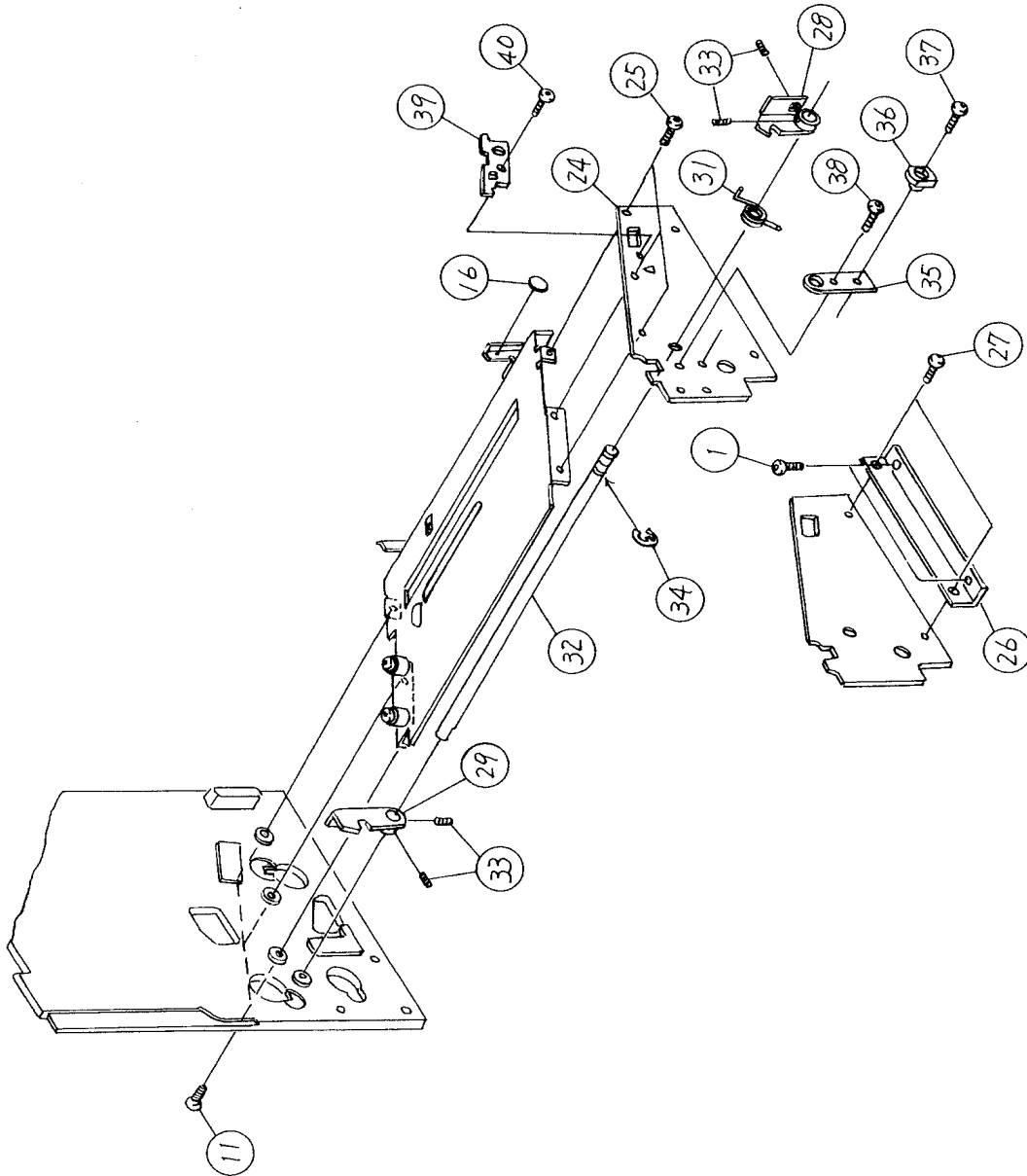
# Frame Assembly



# Frame Assembly



# Frame Assembly



**Frame Assembly**

<b>NO.</b>	<b>CODE</b>	<b>DESCRIPTION</b>	<b>QTY</b>
1	MD4400821	Pan head screw	2
2	MD4401621	Pan head screw	2
3	PL1720601	Engine Frame	1
4	PA1721600	Support frame (A)	1
5	MD4301422	Pan head screw	2
6	PV9720500	Bush	1
8	PR3720400	Paper guide	1
9	PV9720900	Sensor protector	1
10	PD1720800	Sensor protector	1
11	MD4301422	Pan head screw	3
12	PE3720300	Roller	2
13	PB2740100	Collar	2
14	MD4301021	Pan head screw	2
15	PA1729500	Guide plate (A)	1
16	QC6771800	Sticker(Green)	1
17	PB2721100	Collar	1
18	PC1720700	Spring (Guide)	1
19	MD4301422	Pan head screw	1
22	PA1722900	Guide plate (B)	1
23	MD4300821	Pan head screw	1
24	PA1723000	Side frame	1
25	MD4300821	Pan head screw	4
26	PA1720800	Frame bracket	1
27	MD4400821	Pan head screw	2
28	PR4720400	Latch handle (A)	1
29	PR1720600	Latch handle(B)	1



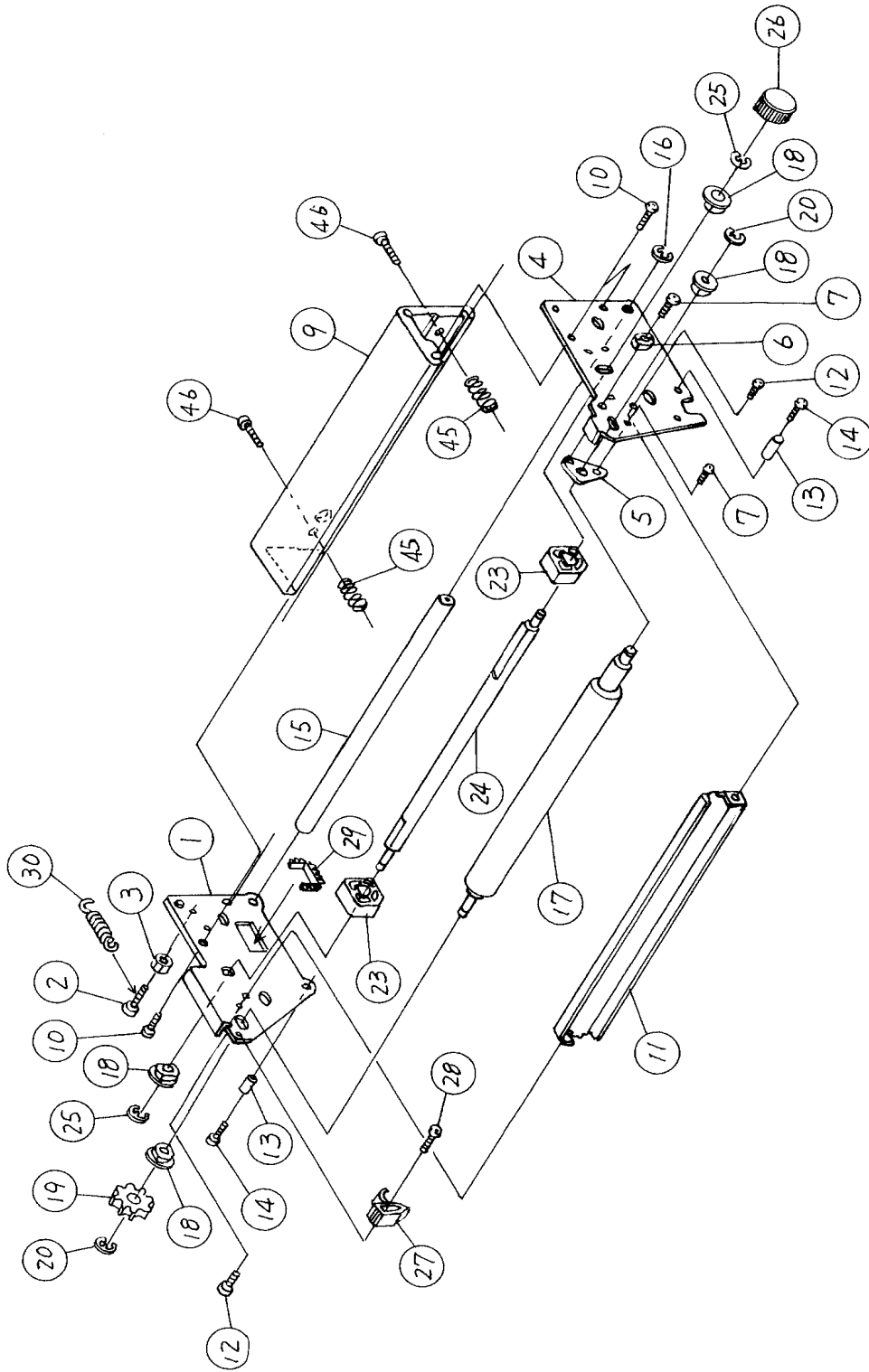
**Frame Assembly**

NO.	CODE	DESCRIPTION	QTY
31	PC2720100	Spring (latch handle)	1
32	PB0723700	Shaft (latch handle)	1
33	MJ1400524	W-point screw	4
34	ND0050030	E-Ring	1
35	PA1720900	Plate (adjust A)	1
36	PL2720100	Adjust collar	1
37	MD4300821	Pan head screw	1
38	MD4400821	Pan head screw	1
39	PA1721000	Plate (adjust B)	1
40	MD4400821	Pan head screw	1
41	PR7720500	Platen Roller Sub (CL612)	1
42	PR7720600	Feed Roller Sub (CL612)	1
43	PR7720100	Platen Roller Sub (CL608)	2
44	MD4300821	Pan head screw	4
45	PT8180064	Timing belt (CL608)	1
46	PL1720100	Motor pulley (CL608)	1
47	MJ1400524	W-point screw	2
48	PB0720800	Shaft (idle gear)	1
49	PT1112060	Ball supporter	2
50	PE8720100	Gear	1
51	PE8720400	Gear pulley	1
52	ND0040030	E-Ring	2
53	PL1720400	Motor Pulley (CL612)	1
55	PA1729600	Tension bracket	1
56	MD4300821	Pan head screw	2
57	PA1723200	Tension bracket (B)	1
58	PB2720400	Collar	1
59	MD4401021	Pan head screw	1
61	PC0740100	Spring (tension)	1
62	MA0301221	Pan head screw	1
63	MT1300522	Hex nut	1
64	PE8720300	Gear	1
65	PE3720100	Tension roller	2
66	PB2720600	Collar	3

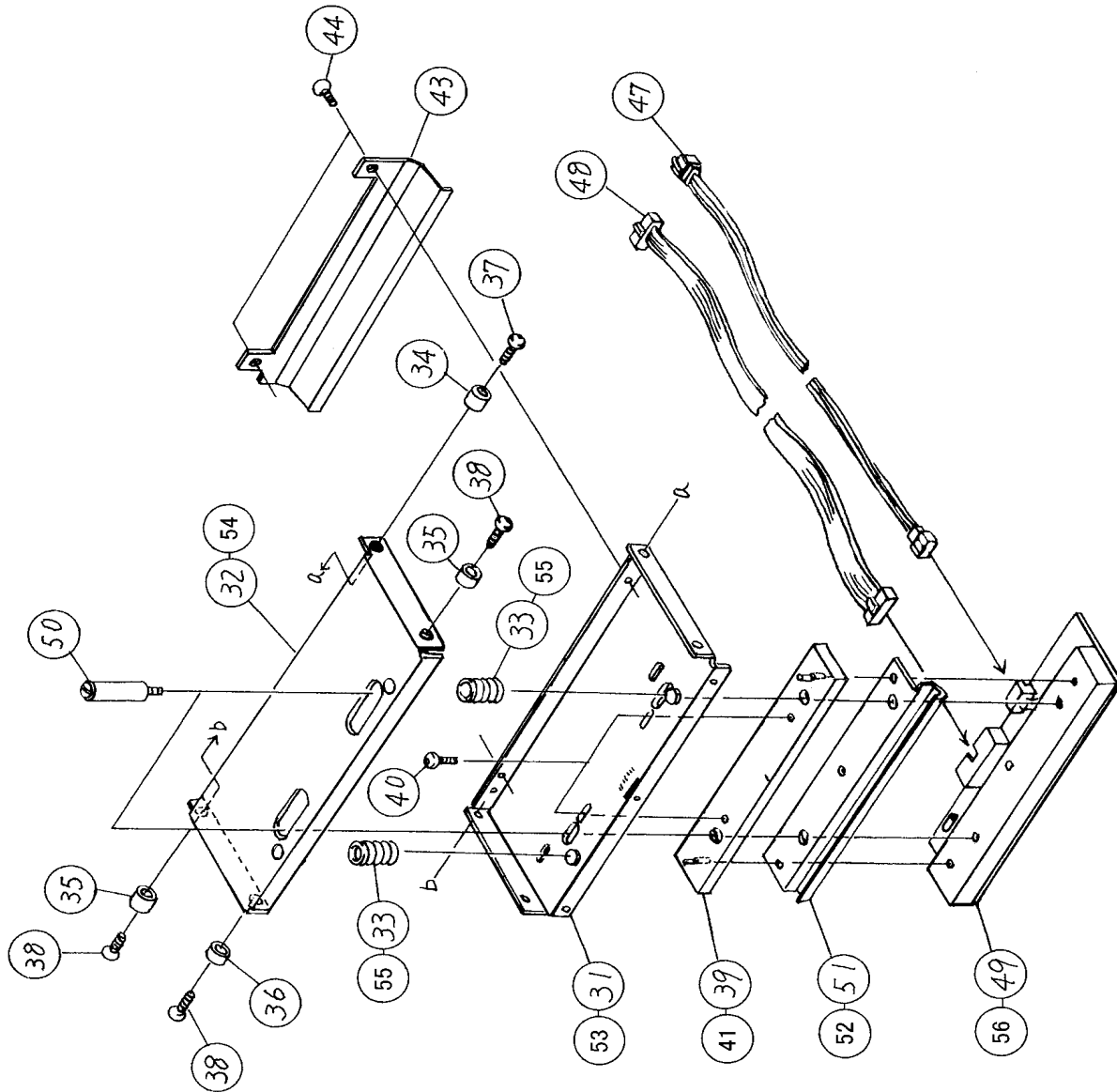
**Frame Assembly**

NO.	CODE	DESCRIPTION	QTY
67	MD4401421	Pan head screw	2
68	MD4401621	Pan head screw	1
69	PB0721100	Shaft (head )	1
70	PA0720100	Collar	1
71	NB0050022	Spring washer	1
72	MN1501030	Hex hole bolt	1
75	MA0301221	Pan head screw	2
76	MT1300522	Hex nut	2
77	MD3300622	Pan head screw	1
78	PA3730200	Sensor bracket (ribbon)	1
79	MD3300622	Pan head screw	1
80	PA1723500	Switch bracket	1
81	MD4300821	Pan head screw	1
84	PB0723800	Label guide shaft	1
85	MA0301221	Pan head screw	2
86	PT6720100	Cushioning rubber	1
87	MA0301221	Pan head screw	2
88	PB2720500	Collar	1
91	RH1721000	Ribbon sensor cord	1
92	MA0300622	Pan head screw	2
93	RH1721200	Head open sw cord	1
94	MD3201221	Pan head screw	2
96	RH1720500	Stepper Motor Assy	1
97	MD3401221	Pan head screw	3
98	RH1724100	Pitch sensor cord	1
99	MD3300622	Pan head screw	2
100	RH1721400	Paper end SW cord set	1
101	MD3201221	Pan head screw	2
102	MA0401421	Pan Screw	1
103	MT1400722	Hex nut	1
104	PC0720200	Spring (Tension)	1
106	PT8187064	Timing Belt (CL612)	1
107	PL1720500	Pulley (CL612)	2
108	MJ1300424	W-point screw	4

# Print Head Assembly



# Print Head Assembly



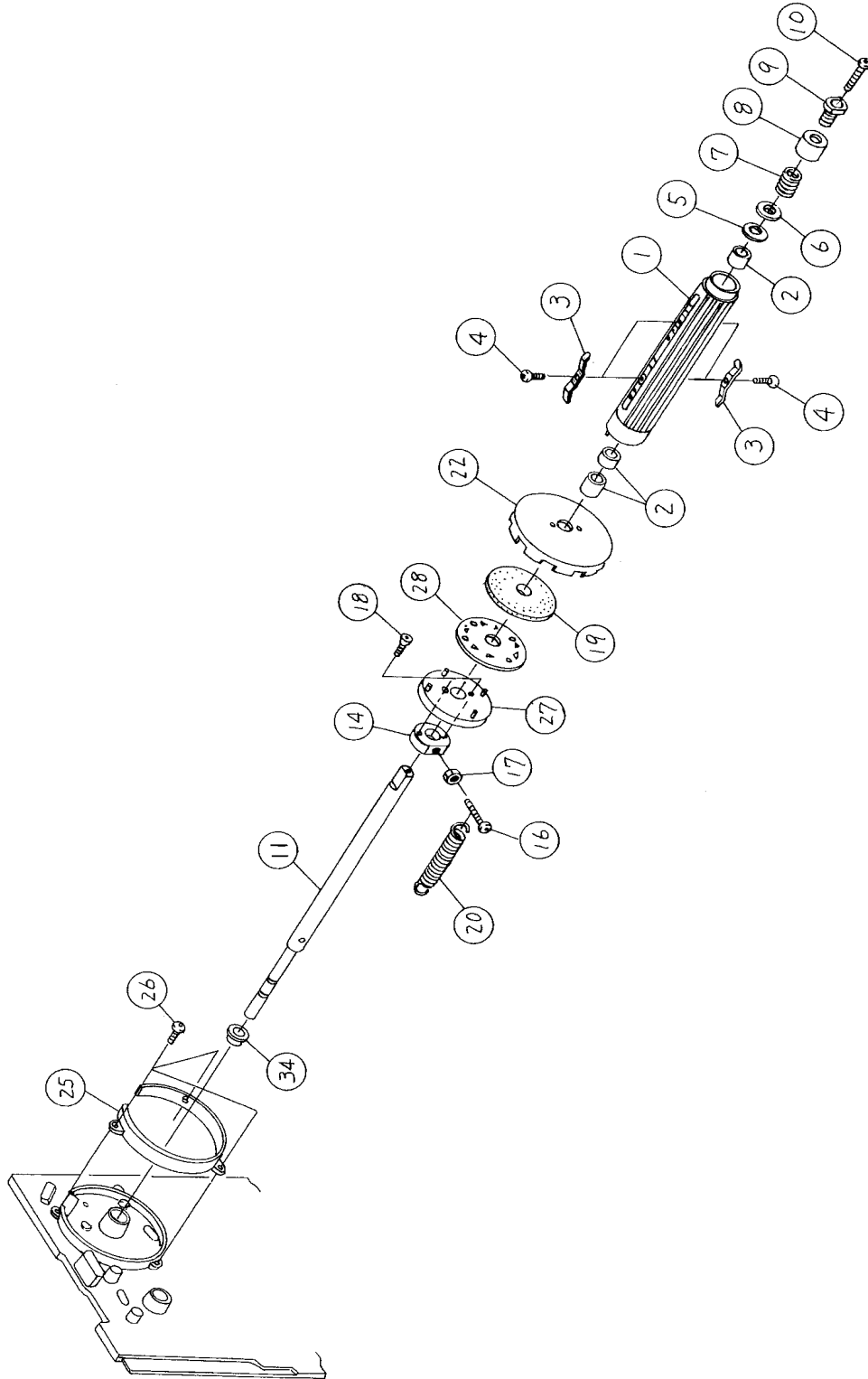
**Print Head Assembly**

<b>NO.</b>	<b>CODE</b>	<b>DESCRIPTION</b>	<b>QTY</b>
1	PA1721700	Head frame (LH)	1
2	MA0301221	Pan head screw	2
3	MT1300522	Hex nut	2
4	PA1721800	Head frame (RH)	1
5	PA1721200	Plate (adjust C)	1
6	PL2720100	Adjust collar	1
7	MD4300821	Pan head screw	2
9	PD1720400	Stay	1
10	MD3401021	Pan head screw	4
11	PA1721500	Support plate (B)	1
12	MD4300821	Pan head screw	2
13	PB2720100	Collar	2
14	MD3401021	Pan head screw	2
15	PR1720100	Roller	1
16	ND0060030	E-Ring	1
17	PR0720700	Feed roller	1
18	PL2720400	Bush	4
19	PE8720100	Gear	1
20	ND0040030	E-Ring	2
23	PE1720100	Cam (head pressure)	2
24	PB0720600	Shaft (head pressure)	1
25	ND0040030	E-Ring	2
26	PE1720200	Knob	1
27	PE6720500	Protector (B)	1
28	MD4300821	Pan head screw	1
29	PV9720100	Bush	1
30	PC0720100	Spring (open)	1

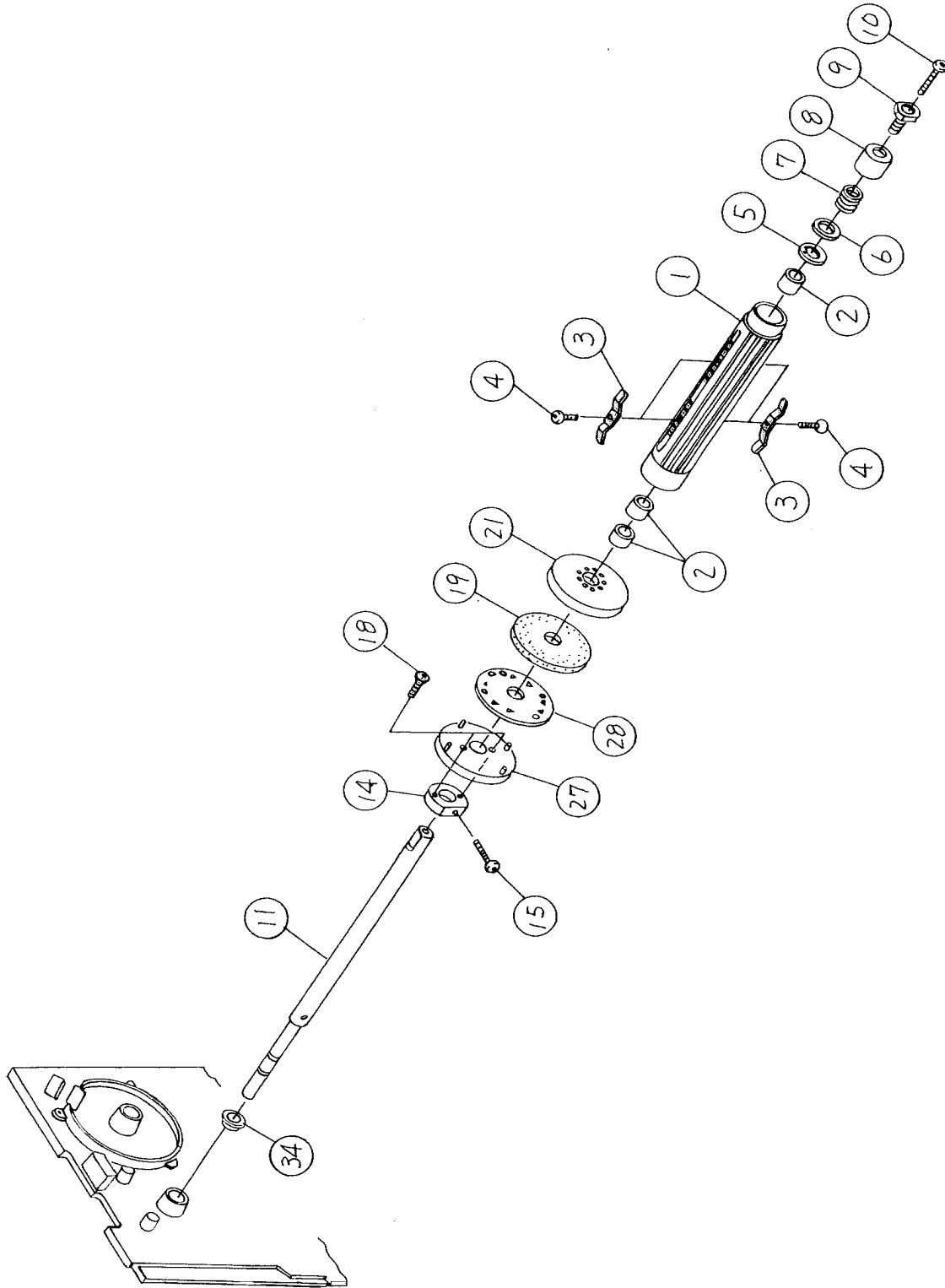
**Print Head Assembly**

<b>NO.</b>	<b>CODE</b>	<b>DESCRIPTION</b>	<b>QTY</b>
31	PA1727100	Head Bracket (A) (CL608)	1
32	PA1727200	Head Bracket (B) (CL608)	1
33	PC1720100	Spring (head) (CL608)	2
34	PB2720200	Collar	1
35	PB2720300	Collar	2
36	PB2720400	Collar	1
37	MD4402021	Pan head screw	1
38	MD4401021	Pan head screw	3
39	PR1720200	Head sub holder (CL608)	1
40	MD4300821	Pan head screw	2
41	PR1721400	Head sub holder(CL612)	1
43	PA1721400	Head cable cover	1
44	MD4300621	Pan head screw	2
45	PC1690201	Spring	2
46	MN1301630	Hex hole bolt	2
47	RH1727700	Power & Head Power Cord Set	1
48	RH1775201	Print Head Cable Assy	1
49	GH000661A	Print Head (CL608)	1
50	PB0723400	Post (Head)	2
51	PR4721000	Plate(Ribbon) (CL608)	1
52	PR4721100	Plate(Ribbon) (CL612)	1
53	PA1721900	Head bracket (A) (CL612)	1
54	PA1722000	Head bracket (B) (CL612)	1
55	PC1720400	Spring (head) (CL612)	2
56	GH000511A	Print Head (CL612)	1

# Ribbon Assembly

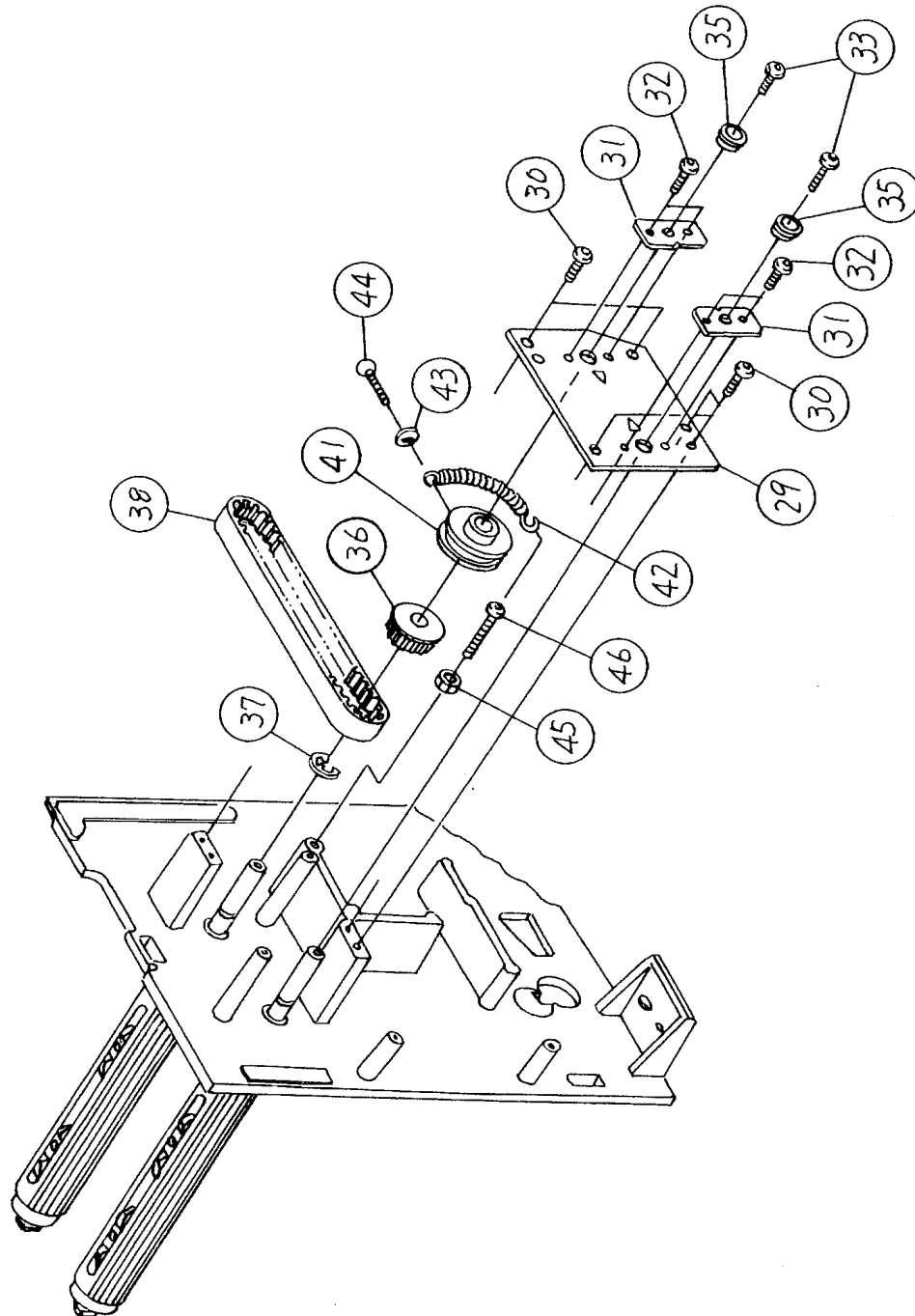


# Ribbon Assembly





# Ribbon Assembly



**Ribbon Assembly**

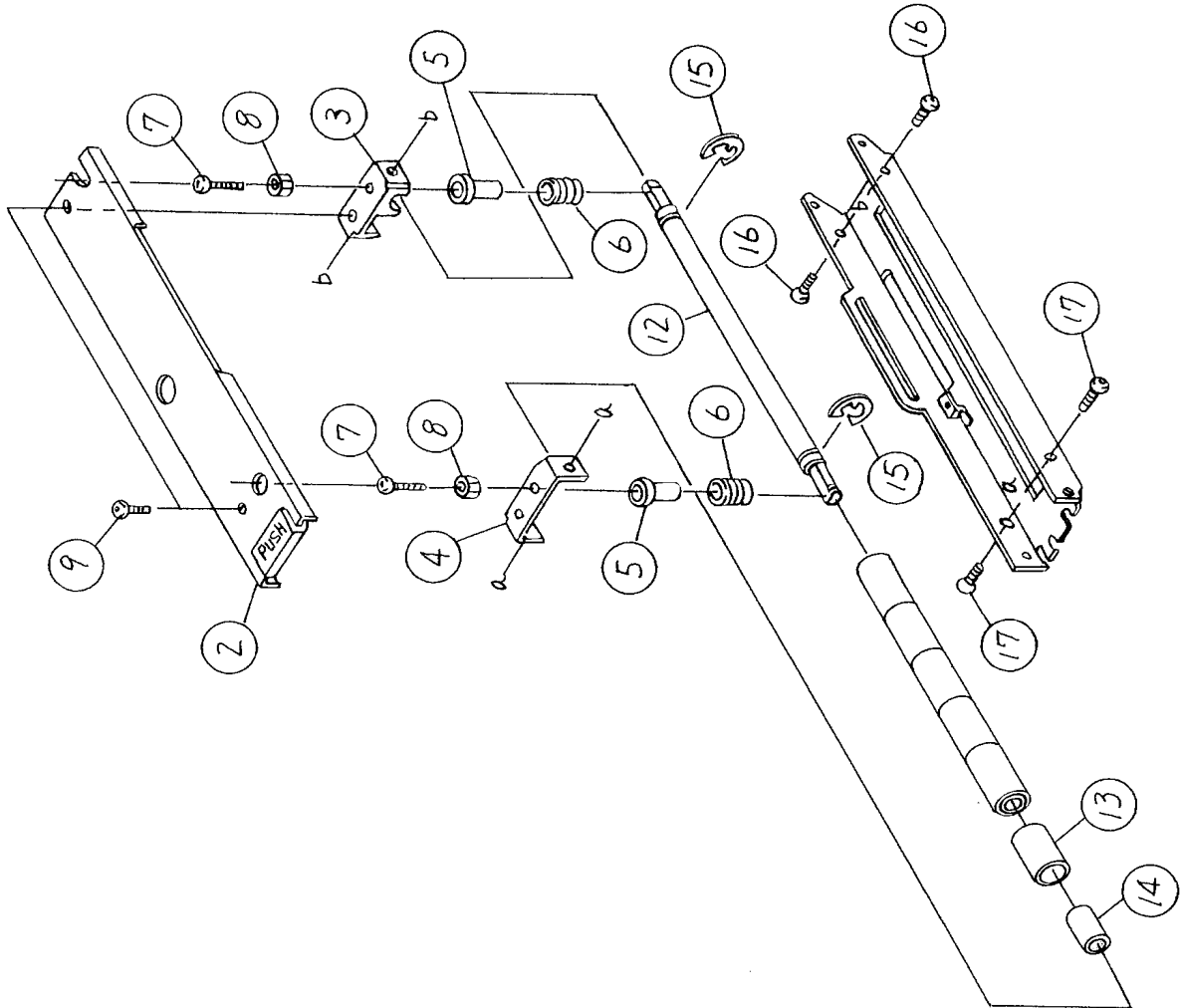
NO.	CODE	DESCRIPTION	QTY
1	PE4720100	Ribbon boss	2
2	PE2720100	Collor	6
3	PA4690900	Spring	8
4	MH0300521	P tight screw	8
5	PT2301020	Oilless dry metal	2
6	PA0680400	Disc	2
7	PC1730100	Spring	2
8	PE2730100	Stopper collar	2
9	PB5730100	Adjust screw	2
10	MA0303022	Pan head screw	2
11	PB0720400	Shaft (ribbon)	2
14	PE4720200	Plate holder boss	2
15	MA0301821	Pan head screw	1
16	MA0302522	Pan head screw	1
17	MT1300522	Hex nut	1
18	MH1250621	P-tight screw	4
19	PA0680300	Lining	2
20	PC0730100	Spring (back)	1
21	PE1681100	Guide plate (B)	1
22	PE7720100	Disc plate (A)	1
25	PE6720100	Disc plate cover	1
26	MD4300821	Pan head screw	3
27	PA0730100	Guide plate	2
28	PA0730200	Hold plate	2
29	PA1720700	Ribbon frame	1
30	MD4400821	Pan head screw	5
31	PA1731000	Adjust plate	2
32	MD4300621	Pan head screw	4
33	MD4400821	Pan head screw	2
34	PT1114080	Ball supporter	2
35	PT1112080	Ball supporter	2
36	PR1720400	Pulley	1
37	ND0060030	E-Ring	1
38	PT8131064	Timing belt	1

***Ribbon Assembly***

<b>NO.</b>	<b>CODE</b>	<b>DESCRIPTION</b>	<b>QTY</b>
41	PR1770100	Pulley	1
42	PC0760500	Spring (ribbon)	1
43	NA1030022	Plain washer	1
44	MH0300821	P tight screw	1
45	MT1400722	Hex nut	1
46	MD3401221	Pan head screw	1

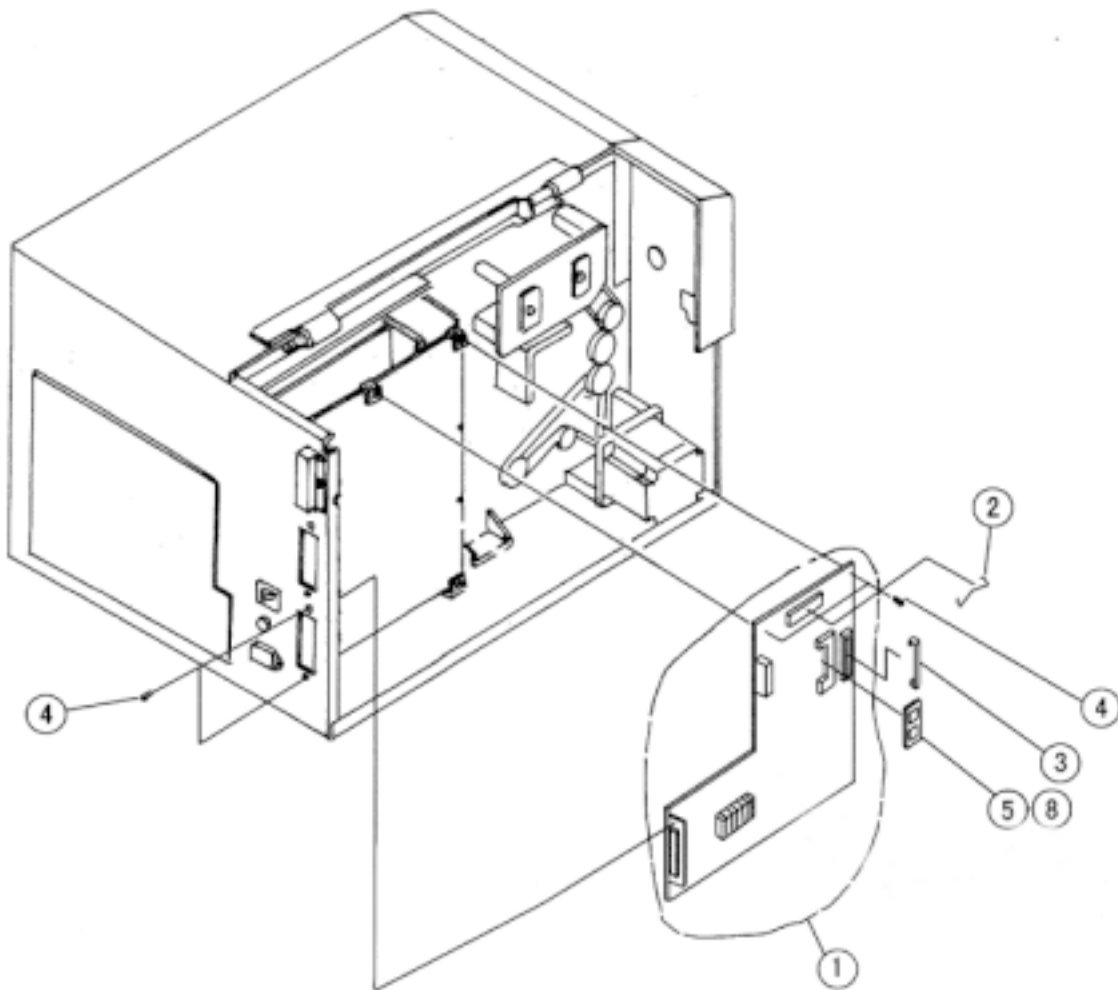


# Feed Roller Assembly



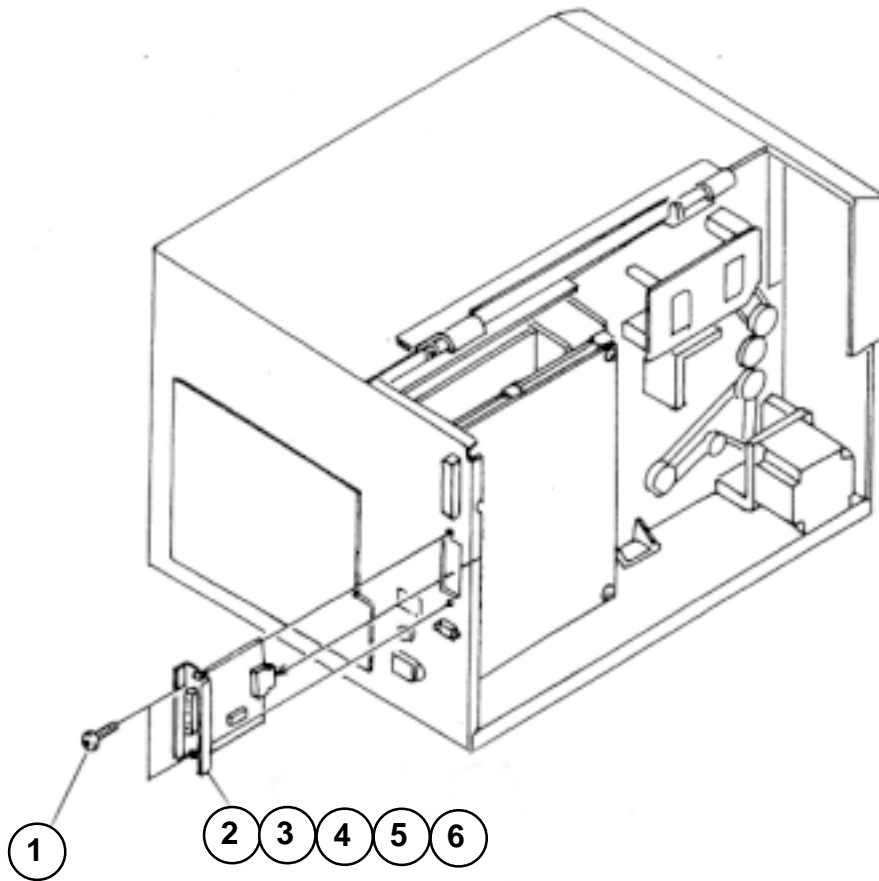
**Feed Roller Assembly**

NO.	CODE	DESCRIPTION	QTY
1	PR3720500	Paper lid	1
2	PR4721300	Paper lid cover	1
3	PA1720400	Roller bracket (A)	1
4	PA1720500	Roller bracket (B)	1
5	PE2730300	Stopper collar	2
6	PC1720601	Spring (pressure)	2
7	MA0301221	Pan head screw)	2
8	MT1300522	Hex nut)	2
9	MD4300821	Pan head screw)	2
12	PB0720500	Shaft (pressure)	1
13	PE3720200	Roller	6
14	PE3720500	Roller	6
15	ND0040030	E-Ring	2
16	MD4300821	Pan head screw	2
17	MA7300625	Truss screw	2
20	PV3720100	PCB bracket (A)	1
21	PA1729400	PCB Bracket (D)	1
22	MA0300622	Pan head screw	2
23	PB2720800	Collar	1
24	MJ9300622	Thin head screw	1
25	MD4300821	Pan head screw)	1
26	PA1720300	Lid bracket	1
27	PC2740200	Spring (open)	1
28	PA3742100	Latch handle	1
29	PC2740300	Spring (latch)	1
31	PB0741100	Shaft (lid)	2
32	ND0020030	E-Ring	4
33	MD4401621	Pan head screw	1
36	RH1724300	Pitch sensor cord(SEN2)	1

**Main PCB Assembly**

NO.	CODE	DESCRIPTION	QTY
1	RJ1771200	Main PCBA	1
2	PC9730100	Spring (Lock)	1
3	PA3739900	Connector lock	1
4	MD4300621	Pan head screw	5
5	RJ7770200	Memory PCB Assy-B	1
8	RJ7770300	Memory PCB (4 MB Memory Option)	1

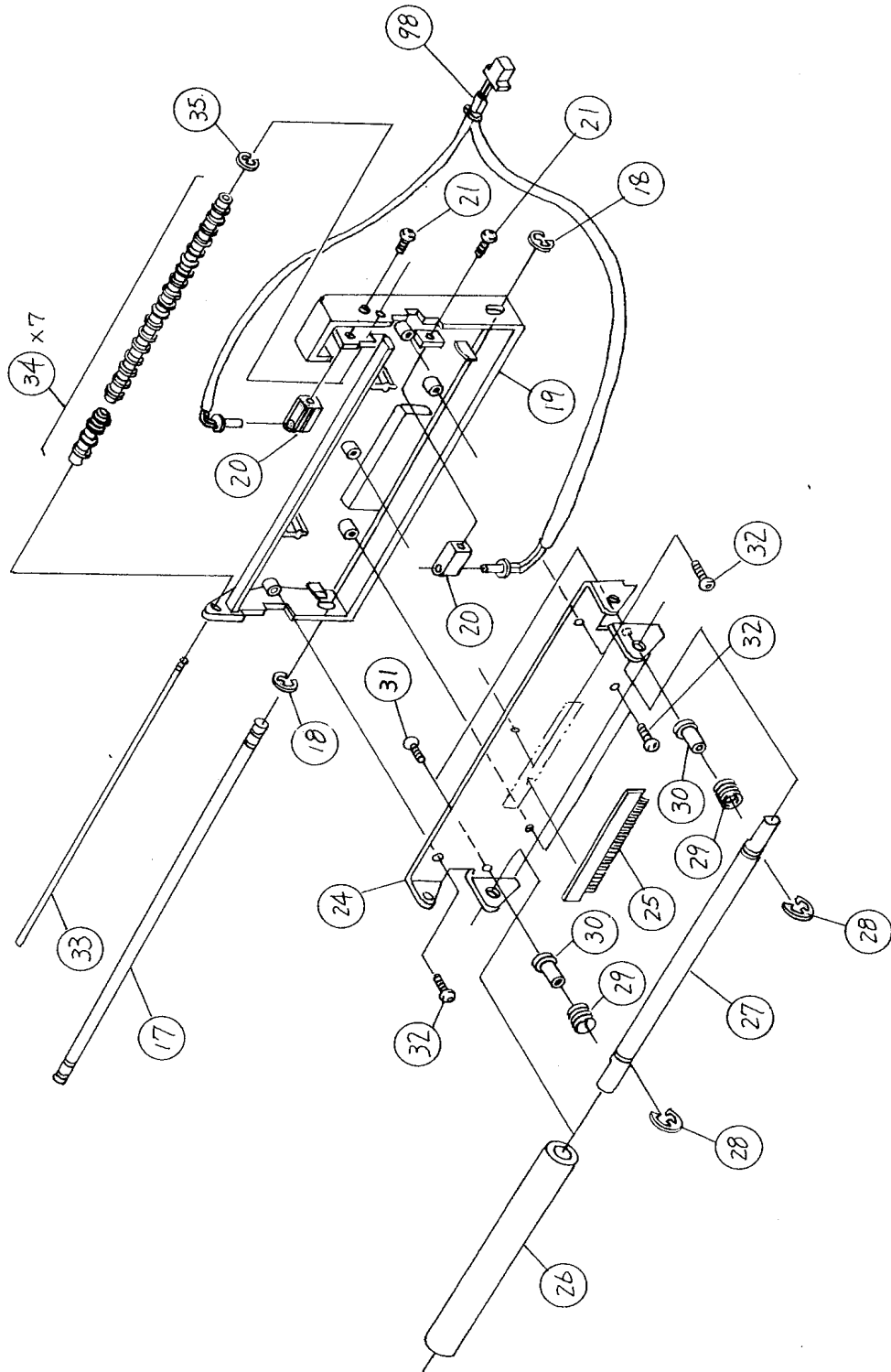
## Interface Option



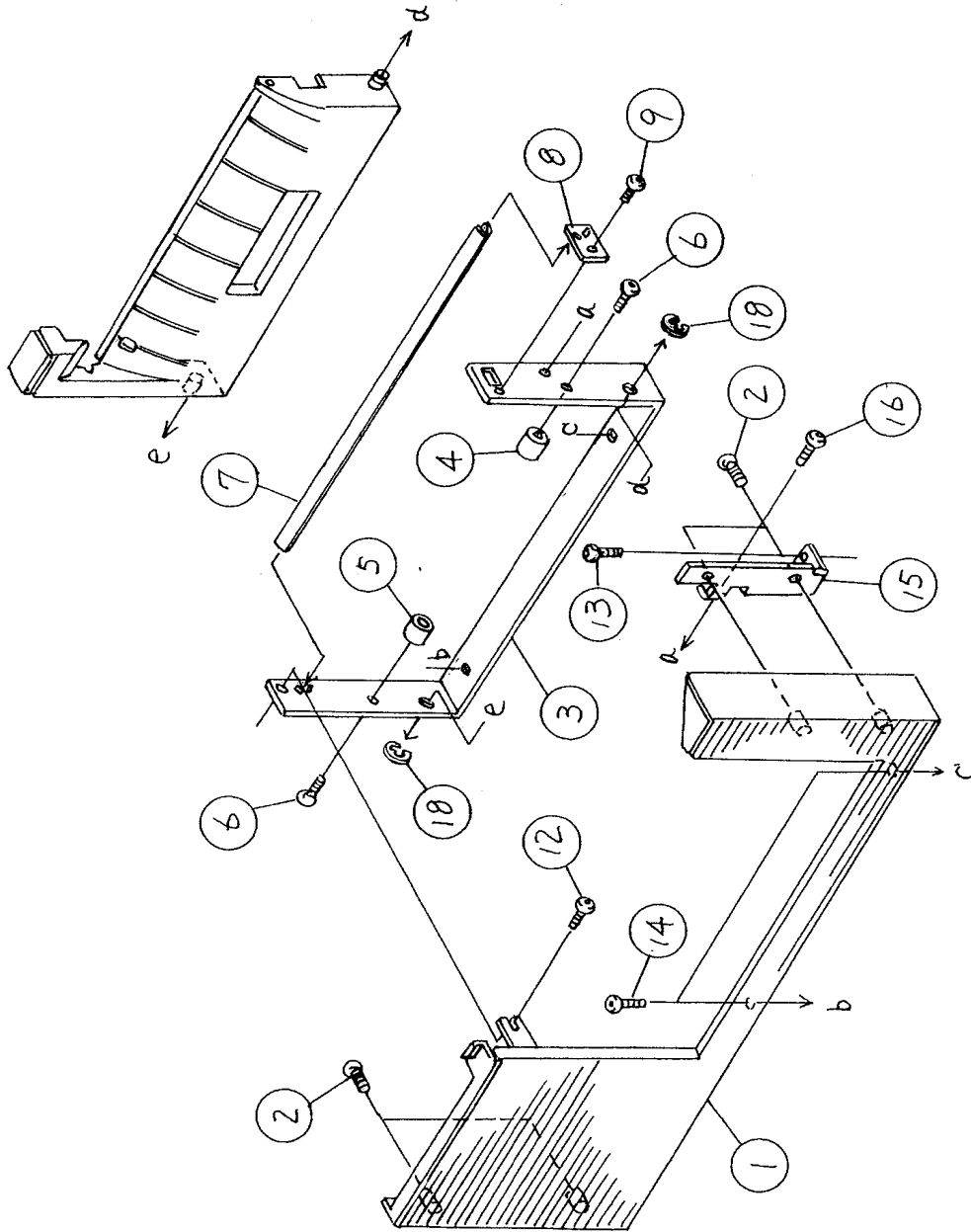
NO.	CODE	DESCRIPTION	QTY
1	MD3300622	Screw	2
2	WCL404070	IEEE-1284 Parallel Interface	1
3	WCL404051	Serial Interface	1
4	WCL404060	USB Interface	1
5	11S000158	Ethernet Interface	1
6	11S000136	CX/TX Interface	1



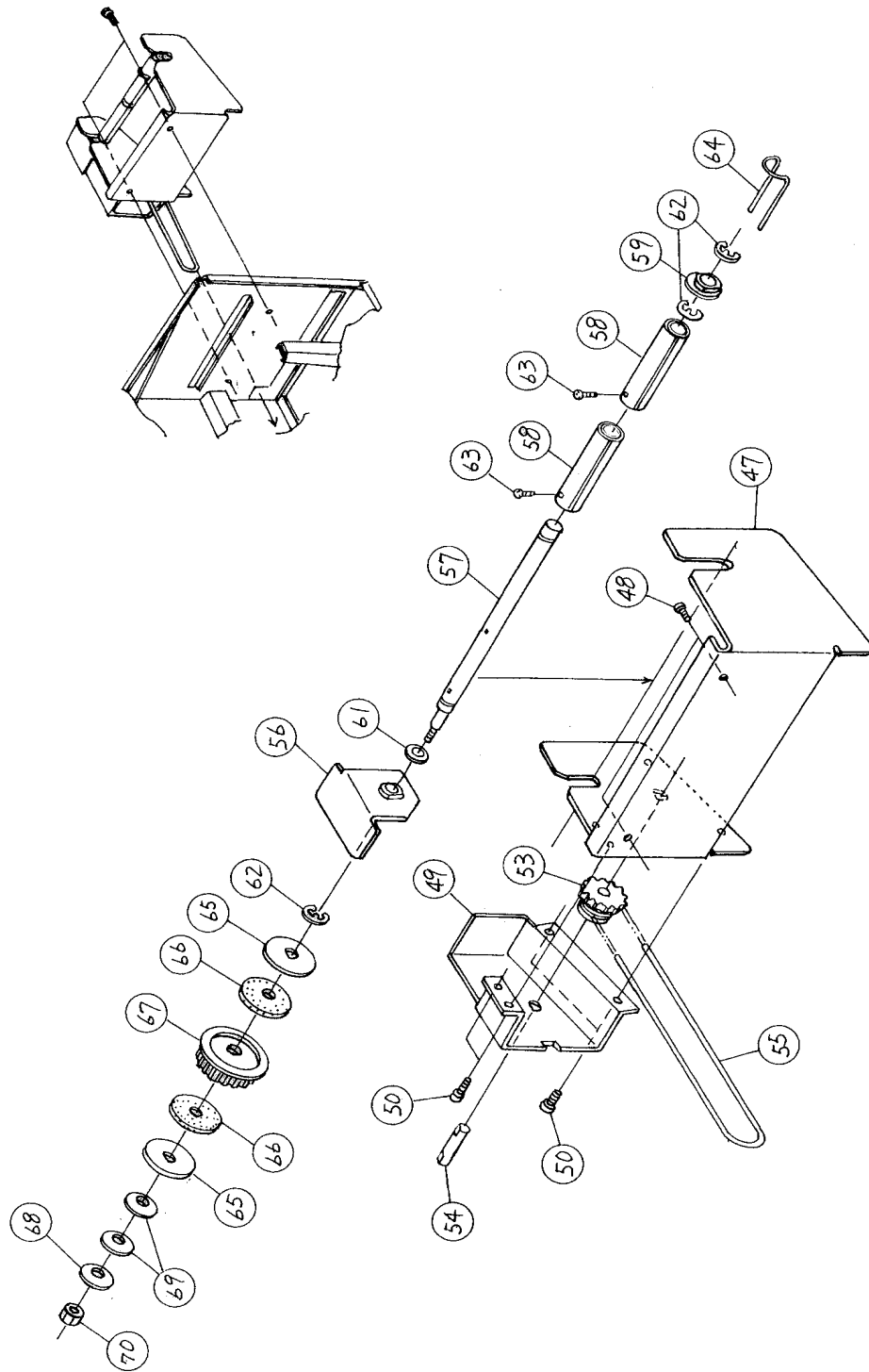
# Dispenser Assembly Option



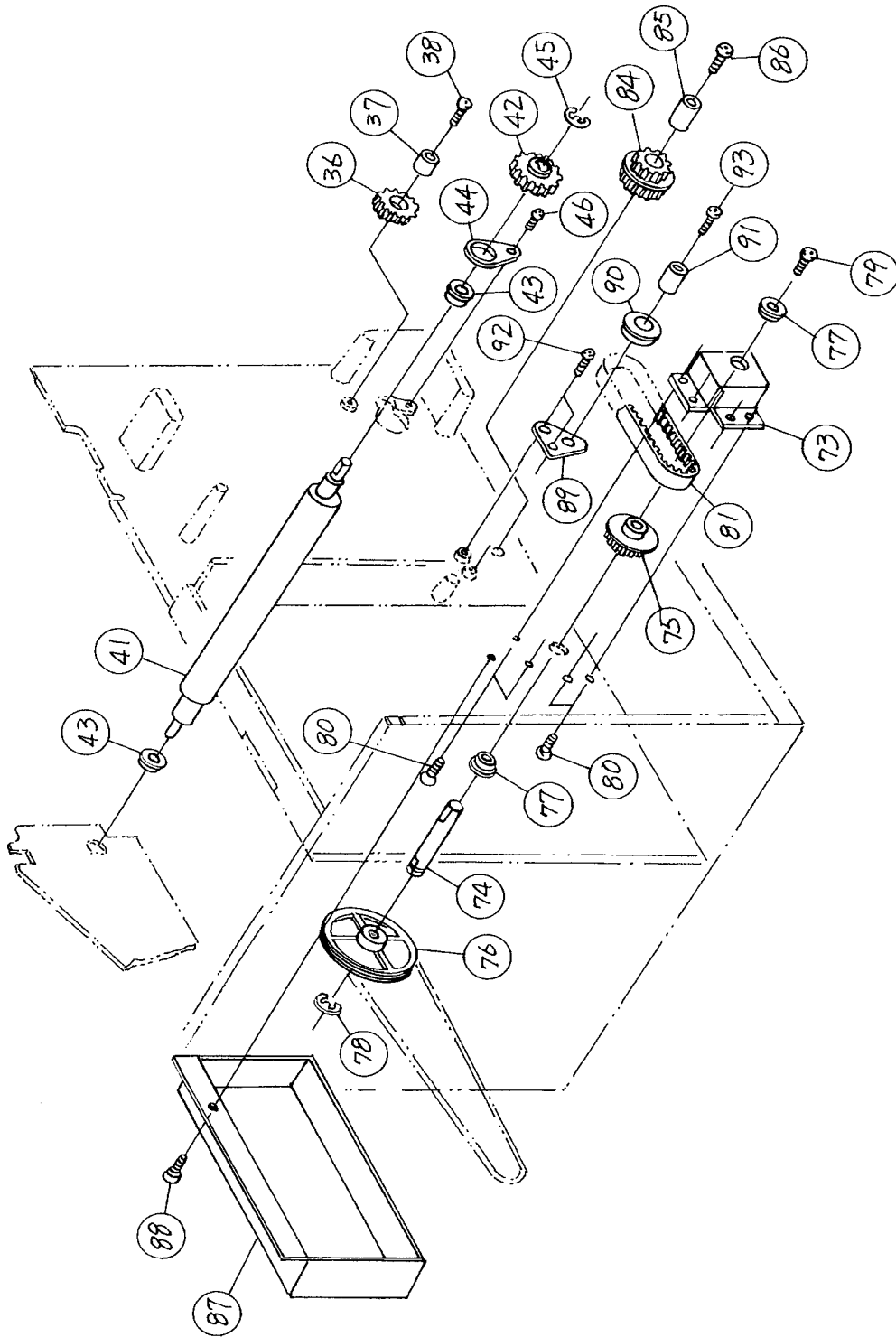
# Dispenser Assembly Option



# Dispenser Assembly Option



# Dispenser Assembly Option



**Dispenser Assembly Option**

<b>NO.</b>	<b>CODE</b>	<b>DESCRIPTION</b>	<b>QTY</b>
1	PH0720400	Dispense cover	1
2	MH0300821	P tight screw	4
3	PA1724701	Dispense frame	1
4	PB0721600	Post (latch) RH	1
5	PB0721700	Post (latch) LH	1
6	MD4300621	Pan head screw	2
7	PA1724600	Dispense bar	1
8	PA1724500	Adjust plate	1
9	MD4300621	Pan head screw	1
12	MD4301021	Pan head screw	1
13	MD4300821	Pan head screw	1
14	MA7300625	Truss screw	2
15	PA1724800	Dispense cover bracket	1
16	MD4300621	Pan head screw	1
17	PB0721400	Shaft (Guide)	1
18	ND0030030	E-Ring	4
19	PE1720400	Dispense bracket	1
20	PE1570300	Dispense sensor bracket	2
21	MH0250621	P-tight screw	2
24	PA1724400	Roller bracket	1
25	PR1340500	Brush	1
26	PR1520200	Pressure roller sub assy	1
27	PB0721200	Shaft (Pressure roller)	1
28	ND0040030	E-Ring	2
29	PC1010200	Head spring	2
30	PE2730300	Stopper collar	2

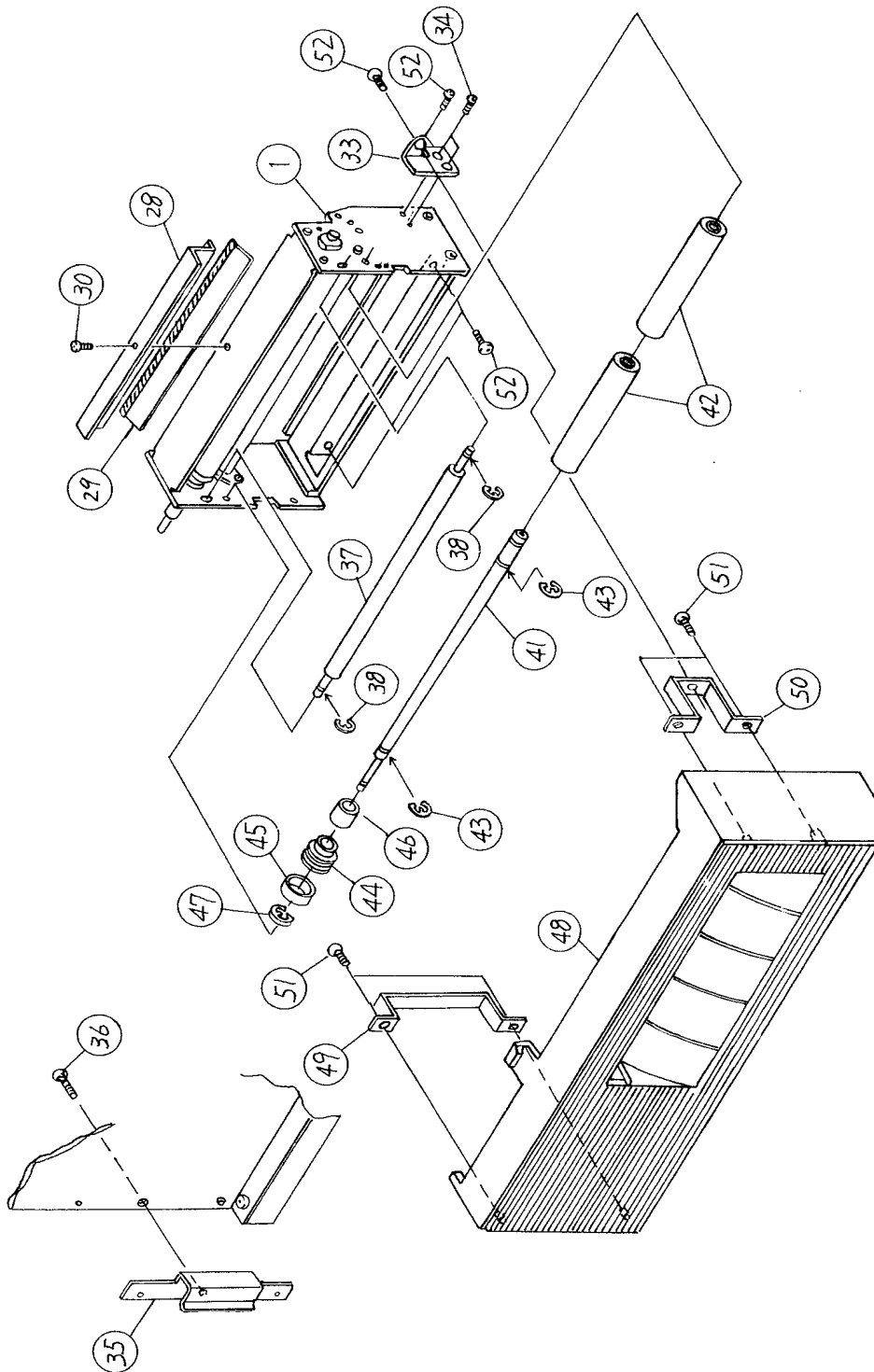
**Dispenser Assembly Option**

<b>NO.</b>	<b>CODE</b>	<b>DESCRIPTION</b>	<b>QTY</b>
31	MD4300821	Pan head screw	2
32	MH0300821	P tight screw	5
33	PB0721300	Shaft (Dispense roller)	1
34	PE3520600	Dispense roller	7
35	ND0020030	E-Ring	1
36	PE8720800	Gear	1
37	PB2720100	Collar	1
38	MD4401421	Pan head screw	1
41	PR0720300	Feed roller	1
42	PE8720700	Gear	1
43	PT1112060	Ball supporter	2
44	PA1680200	Ball supporter clamp	1
45	ND0040030	E-Ring	1
46	MD4300821	Pan head screw	1
47	PA1725200	Rewind frame	1
48	MD4300821	Pan head screw	2
49	PA1725100	Side frame	1
50	MD4300621	Pan head screw	4
53	PE8721000	Gear pulley	1
54	PB0721800	Shaft (Idle gear)	1
55	PR4720600	Rewind belt	1
56	PR1720700	Rewind handle	1
57	PB0721900	Shaft (rewind)	1
58	PB4720100	Rewind core	2
59	PL2720200	Bush	1

**Dispenser Assembly Option**

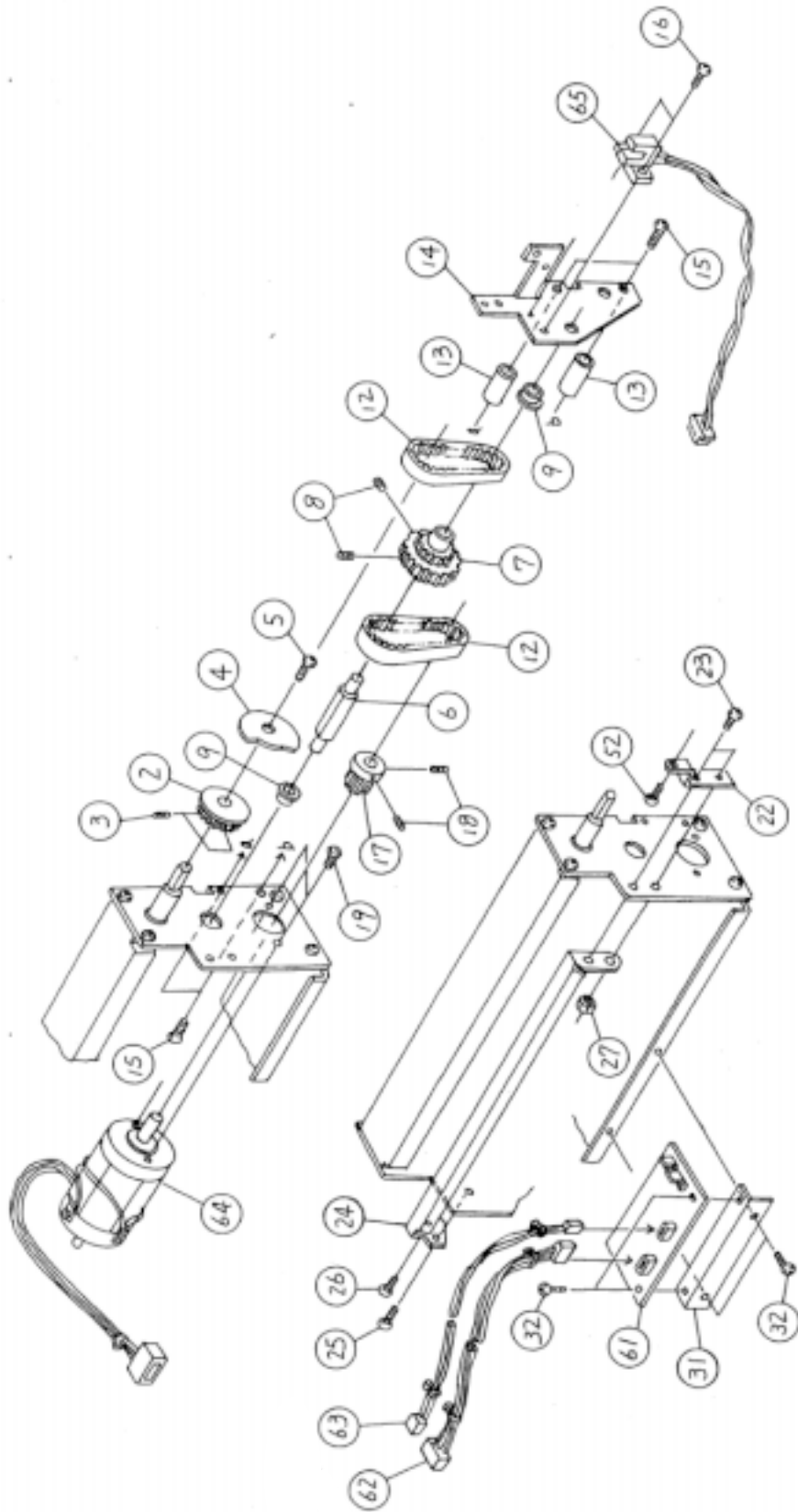
NO.	CODE	DESCRIPTION	QTY
61	NA0060022	Plain washer	2
62	ND0040030	E-Ring	3
63	MD4301221	Pan head screw	2
64	PC3720100	Rewind knob	1
65	PA1724900	Flange	2
66	PJ4720100	Facing	2
67	PE8721100	Gear	1
68	PB9720100	Adjust nut	1
69	NB5100030	Spring	2
70	MT1400722	Hex nut	1
73	PA1725300	Idle shaft bracket	1
74	PB0722000	Shaft (Idle gear)	1
75	PE8721200	Pulley	1
76	PE8520500	Rewind pulley	1
77	PT1112060	Ball supporter	2
78	ND0040030	E-Ring	1
79	MD4300621	Pan head screw	1
80	MD4300621	Pan head screw	4
81	PT8095064	Timing belt	1
84	PE8720900	Gear pulley	1
85	PB2720200	Collar	1
86	MD4402221	Pan head screw	1
87	PA1725400	Belt cover	1
88	MD4300621	Pan head screw	1
89	PA1723100	Tension bracket (A)	1
90	PE3720100	Tension roller	1
91	PB2720600	Collar	1
92	MD4300821	Pan head screw	2
93	MD4401421	Pan head screw	1
98	RH1721100	Dispense sensor cord	1

# Cutter Assembly Option





# Cutter Assembly Option



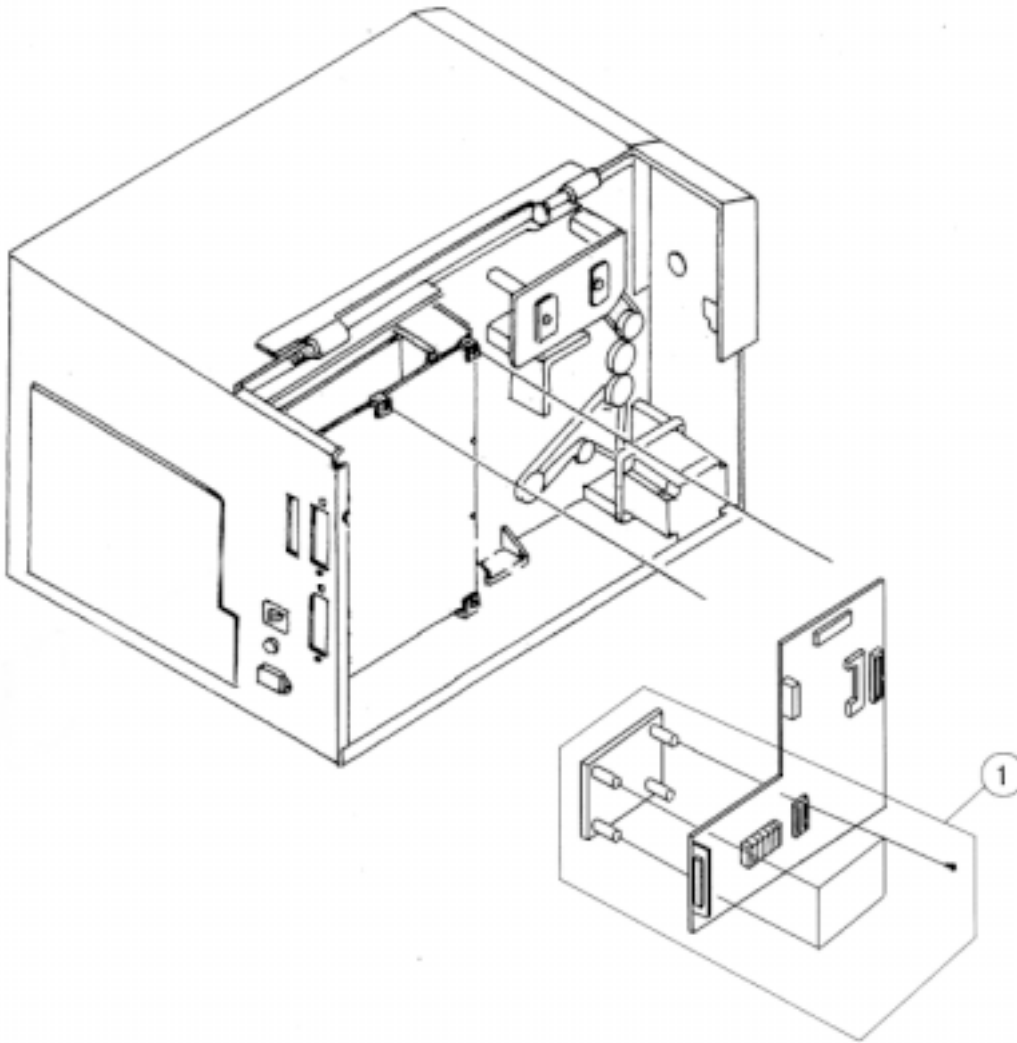
**Cutter Assembly Option**

NO.	CODE	DESCRIPTION	QTY
1	PR1720800	Cutter set	1
2	PR1691401	Cutter pulley	1
3	MJ1300424	W-point screw	2
4	PA1725500	Sensor slit	1
5	MD4300621	Pan head screw	1
6	PB0722200	Shaft (Idle gear)	1
7	PL1720700	Pulley	1
8	MJ1300424	W-point screw	2
9	PT1107030	Ball supporter	2
12	PU3112060	Timing belt	2
13	PB0722100	Post (Idle gear)	2
14	PA1725600	Sensor bracket	1
15	MD4300821	Pan head screw	4
16	MD3300621	Pan head screw	2
17	PL1720300	Motor pulley	1
18	MJ1300424	W-point screw	2
19	MD4300821	Pan head screw	2
22	PA1725700	Cover bracket (A)	1
23	MD4301021	Pan head screw	2
24	PA1728500	Cutter protect (B)	1
25	MD4300621	Pan head screw	1
26	MD3401021	Pan head screw	1
27	MT1300521	Hex nut	2
28	PA1726200	Cutter protect (A)	1
29	PA6720200	Cutter plate	1
30	MD3300621	Pan head screw	1

**Cutter Assembly Option**

<b>NO.</b>	<b>CODE</b>	<b>DESCRIPTION</b>	<b>QTY</b>
31	PA1726000	PCB bracket	1
32	MD3300621	Pan head screw	4
33	PA2720700	Cover Bracket (E)	1
34	MD4300621	Pan head screw	2
35	PA2720500	Cover BR(E)	1
36	MD4301021	Pan head screw	1
37	PB0722300	Feed roller (Cutter)	1
38	ND0020030	E-Ring	2
41	PB0722400	Shaft (Feed roller)	1
42	PR1720900	Roller (Cutter)	2
43	ND0050030	E-Ring	2
44	PE8721400	Pulley	1
45	PV9720700	Rubber-Ring	1
46	PB2720700	Collar	1
47	ND0020030	E-Ring	1
48	PR1721000	Cover (Cutter)	1
49	PA2720400	Cover Bracket (D)	1
50	PA2720800	Cover Bracket (G)	1
51	MH0300821	P tight screw	4
52	MD4301021	Pan head screw	5
61	RJ1723500	Cutter PCB set	1
62	RH1727501	CutterPower Cord Set	1
63	RH1727800	Cutter Cable Set	1
64	RH1722200	Cutter Motor with cord	1
65	RH1722300	Cutter sensor cord	1

## PCMCIA Memory Option



NO.	CODE	DESCRIPTION	QTY
1	RJ4770100	PCMCIA Memory Option	1

**NOTE: PCMCIA Memory Card not included with the option.**

## Free Manuals Download Website

<http://myh66.com>

<http://usermanuals.us>

<http://www.somanuals.com>

<http://www.4manuals.cc>

<http://www.manual-lib.com>

<http://www.404manual.com>

<http://www.luxmanual.com>

<http://aubethermostatmanual.com>

Golf course search by state

<http://golfingnear.com>

Email search by domain

<http://emailbydomain.com>

Auto manuals search

<http://auto.somanuals.com>

TV manuals search

<http://tv.somanuals.com>