



AVM-3259G AVM-3650G

Color TV Owner's Manual

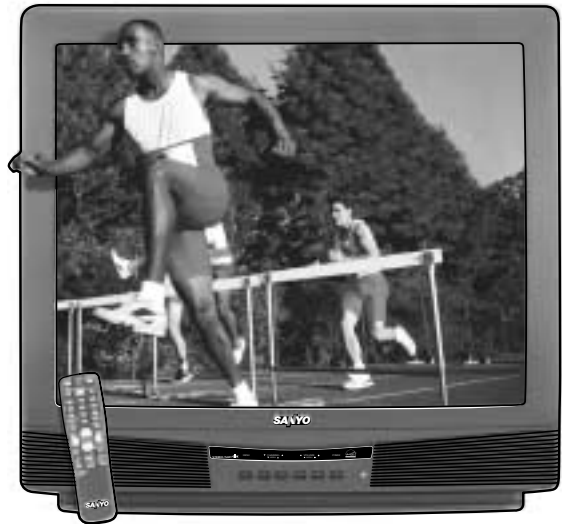
Color TV Manual Del Propietario

Welcome to the World of Sanyo

Thank you for purchasing a Sanyo Color Television. You made an excellent choice for Performance, Reliability, and Value. The TV is designed with easy on-screen set-up instructions and operating features. To meet the growing needs of our customers, this television has a "V-Chip" for parental controlled viewing.

CONTENTS

Important Safety Tips	2
Features	3
Specifications	3
Basic Setup	3
Basic Hookup Methods	4
Universal Remote Control	5 ~ 7
TV Adjustment and Setup	8 ~ 10
Using the Audio Output Jacks	10
Using the Audio/Video Input Jacks	11
Closed-Captioning	12
V-Guide Information	13
V-Guide Operation (Parental Control)	14 ~ 15
Setting the Sleep Timer	15
Resetting the TV	16
Care and Cleaning	16
Helpful Hints-Problems/Solutions	16 ~ 17
Warranty and Service	18
ESPAÑOL	19 ~ 36
Contenido	19



TV screen image / Imagen de la Pantalla del
Televisor © 2000 PhotoDisc, Inc.
AVM-3259G pictured / Ilustró



"As an ENERGY STAR® Partner, Sanyo has determined that this product meets the ENERGY STAR® guidelines for energy efficiency."

Printed in U.S.A. SMC, September, 2000/Impreso en U.S.A. SMC Septiembre, 2000
Part No. / No. de Parte : 1AA6P1P2114B-
Service Code/Código de Servicio : 610 282 3332

CAUTION

RISK OF ELECTRIC SHOCK DO NOT OPEN

CAUTION: TO REDUCE THE RISK OF ELECTRIC SHOCK, DO NOT REMOVE COVER (OR BACK). NO USER-SERVICEABLE PARTS INSIDE. REFER SERVICING TO QUALIFIED SERVICE PERSONNEL.

THIS SYMBOL INDICATES THAT DANGEROUS VOLTAGE CONSTITUTING A RISK OF ELECTRIC SHOCK IS PRESENT WITHIN THIS UNIT.



THIS SYMBOL INDICATES THAT THERE ARE IMPORTANT OPERATING AND MAINTENANCE INSTRUCTIONS IN THE LITERATURE ACCOMPANYING THIS UNIT.




WARNING: TO REDUCE THE RISK OF FIRE OR ELECTRIC SHOCK, DO NOT EXPOSE THIS APPLIANCE TO RAIN OR MOISTURE.

IMPORTANT SAFETY INSTRUCTIONS

CAUTION: PLEASE ADHERE TO ALL WARNINGS ON THE PRODUCT AND IN THE OPERATING INSTRUCTIONS. BEFORE OPERATING THE PRODUCT, PLEASE READ ALL OF THE SAFETY AND OPERATING INSTRUCTIONS. RETAIN THIS LITERATURE FOR REFERENCE. *Follow all instructions...*

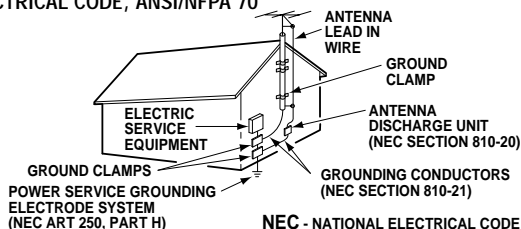
Positioning the appliance

1. Do not place your appliance on an unstable cart, stand, shelf or table. Serious injury to an individual, and damage to the appliance, may result if it should fall. Your salesperson can recommend approved carts and stands or shelf and wall mounting instructions. An appliance and cart combination should be moved with care. Quick stops, excessive force, and uneven surfaces may cause the appliance and cart combination to overturn. 
2. Slots and openings in the cabinet and in the back or bottom are provided for ventilation. To ensure reliable operation of the appliance and to protect it from overheating, these openings must not be blocked or covered. The openings should never be covered with a cloth or other material, and the bottom openings should not be blocked by placing the unit on a bed, sofa, rug, or other similar surface. This appliance should never be placed near or over a radiator or heat register. This appliance should not be placed in a built-in installation such as a bookcase unless proper ventilation is provided.
3. Do not expose the appliance to rain or use near water . . . for example, near a bathtub, swimming pool, kitchen sink, in a wet basement, etc.

Hooking Up Outdoor Antenna

LIGHTNING PROTECTION FOR YOUR ANTENNA AND SET AS PER NATIONAL ELECTRICAL CODE INSTRUCTIONS.

EXAMPLE OF ANTENNA GROUNDING ACCORDING TO NATIONAL ELECTRICAL CODE, ANSI/NFPA 70




*Note to CATV system installer:

This reminder is provided to call the CATV system installer's attention to Article 820-40 of the NEC that provides guidelines for proper grounding and, in particular, specifies that the cable ground shall be connected to the grounding system of the building, as close to the point of cable entry as practical.*

4. If an outside antenna is connected to the receiver, be sure the antenna system is grounded so as to provide some protection against voltage surges and built up static charges. Article 810 of the National Electrical Code, ANSI/NFPA 70, provides information with respect to proper grounding of the mast and supporting structure, grounding of the lead in wire to an antenna discharge unit, size of grounding conductors, location of antenna discharge unit, connection to grounding electrodes, and requirements for the grounding electrode.

An outside antenna system should not be located in the vicinity of overhead power lines or other electric light or power circuits, or where it can fall into such power lines or circuits. When installing an outside antenna system extreme care should be taken to keep from touching such power lines or circuits as contact with them might be fatal.

Plug in the power cord

5. The design of many appliances does not require a polarized AC line plug (one blade wider than the other). However, if your appliance is equipped with a polarized AC line plug, it is a safety feature which prevents the plug being inserted incorrectly. If you have difficulty inserting the plug, try reversing it. If the plug still does not fit fully into the outlet, contact your electrician to replace your obsolete outlet. Do not defeat the safety purpose of this polarized plug. 
6. Do not allow anything to rest on the power cord. Do not locate the appliance where the cord will be abused by persons walking on it.

Cleaning

7. Before cleaning, unplug the unit from the wall outlet. Do not apply liquid cleaners or aerosol cleaners directly to the unit. Use a dry cloth for cleaning.

Service & Repair

8. Unplug the appliance from the wall outlet and refer servicing to qualified service personnel under the following conditions:
 - A. If the power cord or plug is damaged or frayed.
 - B. If liquid has been spilled into the appliance.
 - C. If the appliance has been exposed to rain or water.
 - D. If the appliance has been dropped or the cabinet has been damaged.
 - E. If the appliance exhibits a distinct change in performance.
 - F. If the appliance does not operate normally by following the operating instructions, adjust only those controls that are covered in the operating instructions. Improper adjustment of other controls may result in damage and will often require extensive work by a qualified technician to restore the appliance to normal operation.
9. Upon completion of any service or repair, request the service technician's assurance that only Factory Authorized Replacement Parts that have the same characteristics as the original parts were used, and that routine safety checks have been performed to determine that the appliance is in safe operating condition. Unauthorized substitutions may result in fire, electrical shock, or other hazards.
10. Never add accessories that have not been specifically designed for use with this appliance.
11. For added protection during a lightning storm, or when the set is left unattended and unused for long periods of time, unplug it from the wall outlet and disconnect the antenna. This will prevent damage to the set due to lightning or power line surges.

FEATURES

- ◆ Trilingual On-Screen Menu
- ◆ Automatic Channel Search
- ◆ Auto Shut Off
- ◆ Closed-Captioning/QuikCap
- ◆ Comb Filter
- ◆ Digital picture controls with on-screen display
- ◆ MTS stereo/dbx®/SAP Decoder
- ◆ Color Enhancer
- ◆ Auto Flesh Tone
- ◆ XDS (Extended data service) station call letters, title of show, ratings
- ◆ Automatic picture/sound adjustments for Sports/Movie/News
- ◆ Initial Channel
- ◆ Bass/Treble
- ◆ Audio/Video Input Jacks (2 sets-R/L)
- ◆ S-Video Input Jack (2 sets for Model AVM-3650G only)
- ◆ Fixed Audio Output Jacks
- ◆ V-Guide (Parental Control)
- ◆ Clock
- ◆ Sleep Timer (3 hours)
- ◆ TV Reset

181 Channel Tuning System

- VHF Channels 2-13
- UHF Channels 14-69
- Cable TV (CATV) 1, 14-125

Automatic Fine Tuning

- VHF and Cable Channels

Remote Control Universal Multi-Brand: Cable/VCR/TV Large Glow-in-the-Dark basic operating keys

- | | |
|----------------------------|------------|
| Numbered Channel Selection | |
| Channel Scanning | |
| Volume Mute | |
| Power Recall | |
| Display Sleep | |
| Caption Reset | |
| Menu V-Guide | |
| VCR keys | Video Mode |

dbx® is a registered trademark of Carillon Electronics Corporation

CAUTION: FCC Regulations state that improper modifications or unauthorized changes to this unit may void the user's authority to operate the unit.

SPECIFICATIONS

PICTURE TUBE SIZE (Measured Diagonally)

- AVM-3259G 32-inch screen
- AVM-3650G 36-inch screen

PICTURE RESOLUTION 330 Lines / Video Input 600 Lines

ANTENNA INPUT UHF/VHF/CATV 75Ω

POWER REQUIREMENT 120VAC 60Hz

POWER AVM-3259G 89 watts / AVM-3650G 102 watts

HORIZONTAL DIM. (Width)

- AVM-3259G 30.0 in. (762mm)
- AVM-3650G 33.4 in. (848mm)

VERTICAL DIM. (Height)

- AVM-3259G 27.8 in. (707mm)
- AVM-3650G 29.5 in. (750mm)

DEPTH DIM. (Thickness)

- AVM-3259G 21.2 in. (538mm)
- AVM-3650G 24.4 in. (620mm)

WEIGHT (LB.) (Approx.)

- AVM-3259G 108.6 (49.3 Kg.)
- AVM-3650G 144.3 (65.5 Kg.)

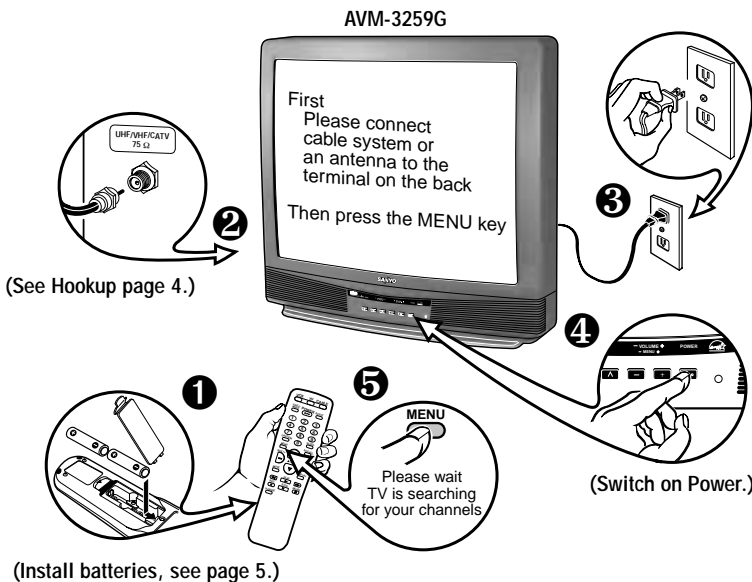
SOUND AVM-3259G 2 Speakers, Size: 10 cm AVM-3650G 2 Speakers, Size 6x12 cm

AMPLIFIER Built-in with 3.0W

A/V INPUT JACKS Video Input and Audio Input (2 sets-R/L), S-Video Input (2 sets Model AVM-3650G)

AUDIO OUTPUT JACKS Fixed Audio Output (R/L) (RCA Connectors)

BASIC SETUP



QuickTips

- Do not position the TV in a confined area. Allow normal air circulation for electronic parts.
- Position your TV at least 2 feet from stereo speakers. The magnets in the speakers may affect the picture quality.
- The TV will automatically select the correct Antenna mode for the type of signal you connect.



Quick Tips

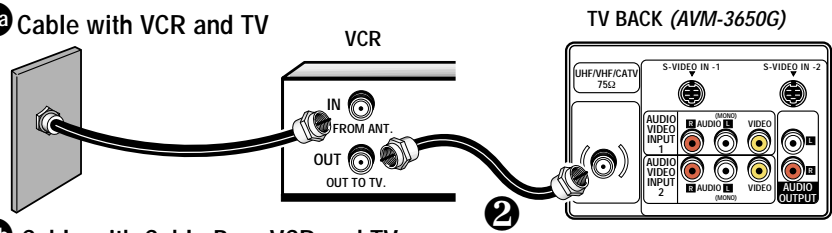
- The TV will automatically select the correct Antenna mode for the type of signal you connect.
- TV will switch off automatically after 15 minutes if there is no signal reception (cable out or station not broadcasting).

Exception—When the Video mode is selected, the TV **will not** automatically switch off when signal reception has stopped for 15 minutes.

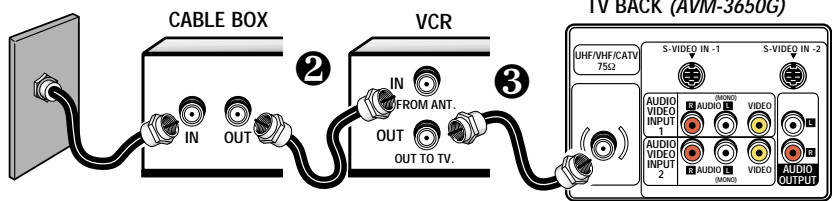
BASIC HOOKUP METHODS

Use one of these methods to connect a signal to your TV. Select **1a**—if you have cable service and a VCR, **1b**—if you have a cable box and a VCR, **1c**—if you have an outdoor or indoor antenna and a VCR, or **1d**—if you have a satellite dish and a VCR. Connect your cable or antenna directly to the TV if you don't have any optional accessories.

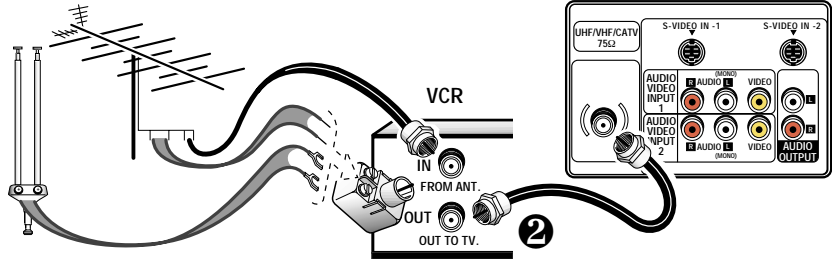
1a Cable with VCR and TV



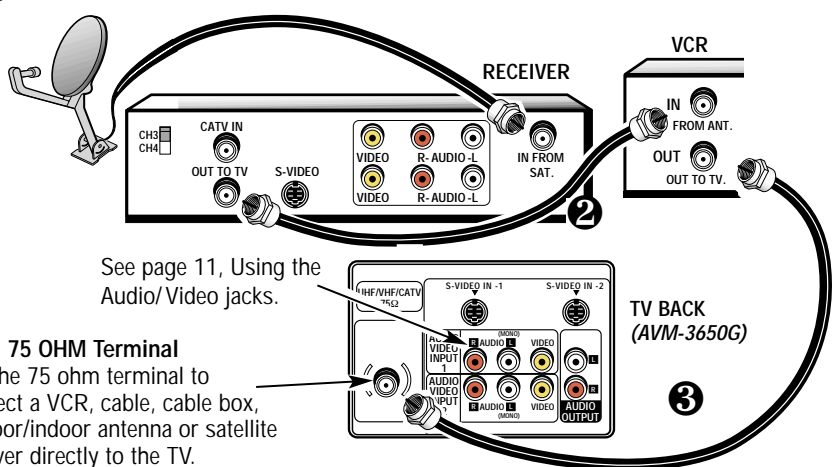
1b Cable with Cable Box, VCR and TV



1c Outdoor or Indoor Antenna with VCR and TV



1d Satellite Dish with Receiver, VCR and TV

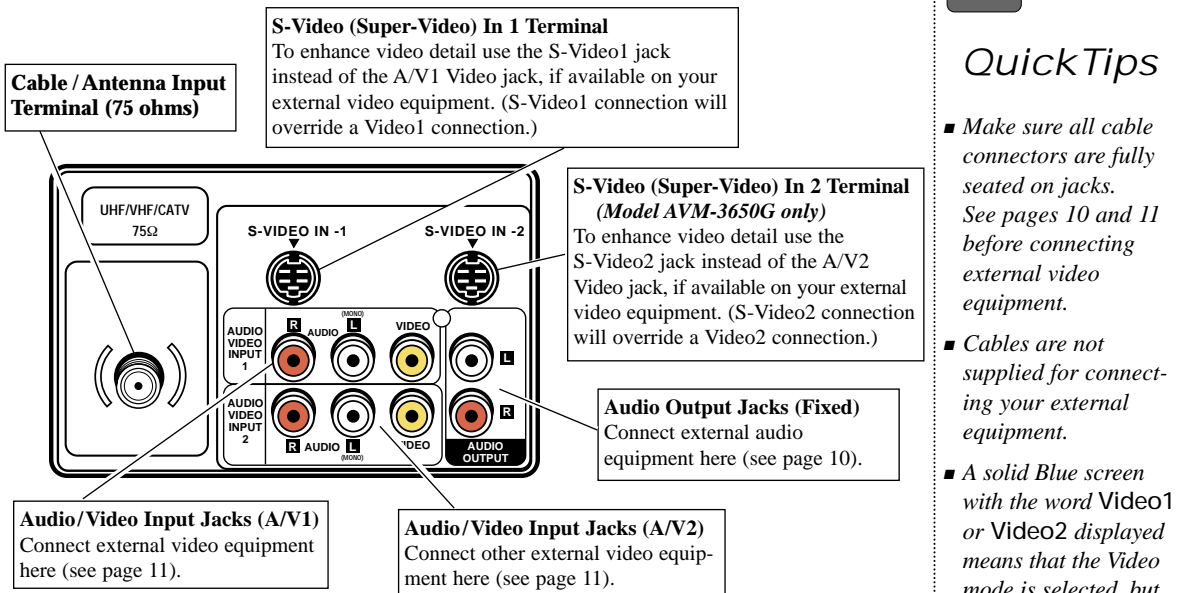


See page 11, Using the Audio/ Video jacks.

75 OHM Terminal
Use the 75 ohm terminal to connect a VCR, cable, cable box, outdoor/indoor antenna or satellite receiver directly to the TV.

CATV FRANCHISE NOTE: Cable companies, like public utilities, are franchised by local government authorities. To receive cable programs, even with equipment which is capable of receiving cable channels, the consumer must subscribe to the cable company's service.

REAR PANEL (MODEL AVM-3650G)





Quick Tips

- Make sure all cable connectors are fully seated on jacks. See pages 10 and 11 before connecting external video equipment.
- Cables are not supplied for connecting your external equipment.
- A solid Blue screen with the word Video1 or Video2 displayed means that the Video mode is selected, but no signal is being detected at the Video jack. Check connection, and turn on external equipment.
- Be sure batteries are installed correctly.
- Point the remote control toward the equipment you want to control. Objects between the remote control and the equipment may cause misoperation of the remote control function.

UNIVERSAL REMOTE CONTROL

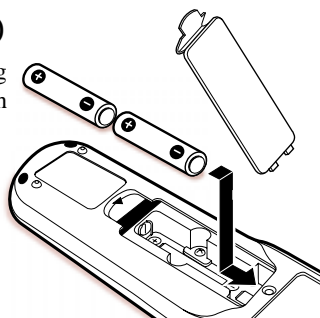
Operates your TV, VCR and Cable converter box. To familiarize yourself with this remote control, see page 6. To program the remote control, see page 7.

INSTALLING BATTERIES (2 AA not included)

1. Remove the battery cover by pressing the tab and tilting the cover upward. Insert batteries. *Make sure you match*  /  signs on the batteries with marks inside the remote control.
2. Replace battery cover. *The remote control is ready!*

Notes:

- Do not mix old batteries with new ones or mix different types of batteries together.
- Remove the batteries if the remote control will not be used for a month or more. Weak batteries may leak and cause damage.



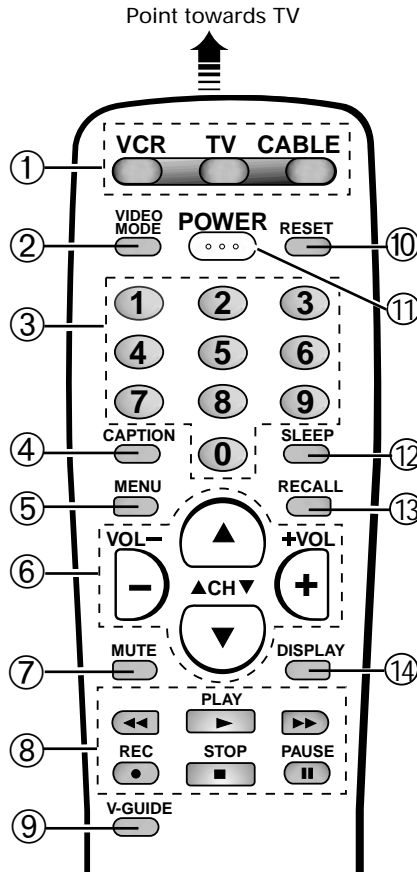
IMPORTANT NOTE: Spent or discharged batteries must be recycled or disposed of properly in compliance with all applicable laws. For detailed information, contact your local County Solid Waste Authority.



Quick Tips

- Point the remote control toward the equipment you want to operate. Objects between the remote and the equipment may cause misoperation of the remote control function.
- Make sure batteries have been installed correctly.
- If the remote control does not work: Press **TV** key (see item 1).
- The remote control must be programmed before it will operate your VCR or Cable Box. See page 7.
- Cannot select channel with number keys. Press "0" in front of numbers 1 ~ 9. Example: Channel 05.
- The "C" in front of the channel number indicates a Cable channel.
- Adjusting the volume level: Right flashing arrow indicates volume is increasing and left flashing arrow indicates volume is decreasing.
- Channel number will not display continuously when captioning is on.
- Using V-Guide
TV Parental Guidelines settings can be changed only by using the Remote Control. See pages 14 and 15.

UNIVERSAL REMOTE CONTROL KEYS



① Mode Keys

Use these keys to program the remote control and to select the operating mode (VCR, TV, or Cable).

② Video Mode Key

Press to select the program source to be displayed on the screen: TV signal or signal from the equipment you have connected to the A/V jacks.

③ Number Keys

Two keys must be pressed to select a channel. Example: Press 0 then 6 to select **channel 6**. For cable channels 100 through 125, press and hold the 1 key until **C1--** appears. Then press the other two numbers.

④ Caption Key (See page 12.)

⑤ Menu Key

Use this key with the Δ/∇ and \ominus/\oplus keys to navigate and adjust features of the on-screen menu system (see pages 8 ~ 10).

⑥ Channel (CH) Scanning (Δ/∇) and Volume (\ominus/\oplus) Keys

Press to scan through the channels in memory and to adjust the volume.

⑦ Mute Key

Press once to turn off the volume. Press again to restore.
Note: When using the audio out jacks this key will not mute the sound.

⑧ VCR Keys

These keys control the VCR's Fast Forward ($\blacktriangleright\blacktriangleright$), Rewind ($\blacktriangleleft\blacktriangleleft$), Play (\blacktriangleright), Record (\bullet), Stop (\blacksquare), and Pause (\parallel) functions.

⑨ V-Guide Key (See pages 14 and 15.)

⑩ Reset Key

Press this key twice to restore factory settings. **The TV will automatically start Channel Search and clear all customized settings.** (See page 16.)

⑪ Power Key

Press to turn TV on or off.

⑫ Sleep Key

Use this key with the "0" key to set the Sleep Timer (see page 15).

⑬ Recall Key

Select a channel then select another channel using the number keys. Press **Recall** to switch between the channels.

⑭ Display Key

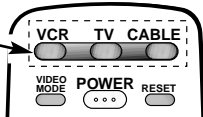
Press once to display the channel number and time. Press twice to display the channel number continuously. Press again to remove the display.

PROGRAMMING THE UNIVERSAL REMOTE CONTROL

Find your code. It is next to the brand name of your equipment in the chart below. (The illustrated example is for a Sanyo VCR.)

1 Press and hold **VCR** or **CABLE** key.

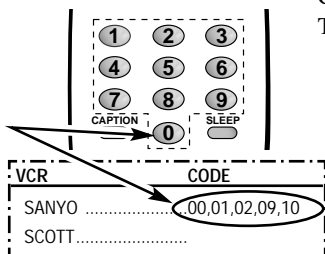
Press button and hold down.



2 Using the **NUMBER** keys on the remote, enter the two-digit code number for your VCR or Cable box. The key will flash **5 times** when released if the code was accepted.

Enter Code:

Example: For a Sanyo VCR, Enter code "00" (from chart below).



VCR	CODE
SANYO	00,01,02,09,10
SCOTT	

3 Press the **POWER** and **CHANNEL** keys to check programming. If they operate properly, programming is completed. If not, use another code, if available and repeat steps.

Notes:

- There may be VCRs and cable boxes that this remote control cannot operate.
- Some manufacturers use different types of remote controls. If your brand has several codes listed, repeat steps **1** and **2** with each number until you find the correct code. Write your codes in the spaces on back of remote control and below for quick reference.

To Operate Your...

VCR—Press the **VCR** key.

Cable Box—Press the **CABLE** key.

Television—Press the **TV** key.

VCR Code:	<input type="text"/>	<input type="text"/>
Cable Box Code:	<input type="text"/>	<input type="text"/>

Replacing Batteries:

The programming code numbers will remain in memory for 5 minutes as you replace the batteries.



Quick Tips

- *Make sure batteries have been installed correctly.*
- *The remote control will not operate my VCR or Cable Box.*
 - Press the **VCR** or **CABLE** key.
 - Reprogram the remote control.
- *Special key functions: The VIDEO MODE key functions as the VCR's TV/VCR key when the Remote Control is in the VCR mode.*
- *The associated mode key lights when you press any operating key (channel, volume, etc.) to indicate which equipment is being controlled.*

VCR BRAND NAME	CODE	VCR BRAND NAME	CODE	CABLE BOX BRAND NAME	CODE
ADMIRAL	20,21,27,29,38	ORION	13,15	ABC	14,15,16,21,24
AIWA	08,22	PANASONIC	16,17,19	GEN. INSTRUMENTS	13,14,15,16,17,18,19,20,25
BROKSONIC	20,21	PHILCO	18,19,26	HAMLIN	12,26,27,28
CRAIG	02,05,07,31	PHILIPS	18,19,26	JERROLD	13,14,15,16,17,18,19,20,25
CURTIS MATHES	19,22,27	PIONEER	26,28	MACOM	03
DAEWOO	04,37	PROSCAN	03,19,27,33,39,40	MEMOREX	11
EMERSON	06,08,13,14,20,21,22	QUASAR	16,17,19	OAK	02,23,24
FISHER	00,01,02,09,10	RCA	03,19,27,33,39,40	PANASONIC	04,05,09
FUNAI	22	REALISTIC	00,05,07,08,19,22,29,31	PARAGON	11
GE	19,27,33,39,40	SAMSUNG	04,05,07,31	PIONEER	01,10
GOLDSTAR	08	SANSUI	28,33	RCA	04,05,09
HITACHI	03,22,33,39	SANYO	00,01,02,09,10	REGAL	06,26,27,28
J.C.PENNY	03,05,07,19,31	SCOTT	04,20,21	SAMSUNG	01
JVC	11,12,28,33	SEARS	00,02,03,08,19	SCI. ATLANTA	06,07,08
KENWOOD	00,28,33	SHARP	29,30	SIGNATURE	14,15,16
MAGNAVOX	18,19,26	SONY	19,23,24,25	SPRUCER	04,05,09
MARTA	08	SYLVANIA	19,32	STARCOM	14,15,16,17,18,19,20
MEMOREX	00,02,05,07,08,19,22,29,31	SYMPHONIC	22	STARGATE	14,15,16,17,18,19,20
MITSUBISHI	32,34,35,36,41,42	TEAC	22,23	TOCOM	21,22
M.WARD	02,03,19,22,29	TOSHIBA	04,32,40	TOSHIBA	00,11,17,18,19,20
MTC	05,07,22,31	ZENITH	23,24,38	ZENITH	00,11,17,18,19,20
NEC	11,12,28,33				



Quick Tips

- Always follow on-screen instructions.
- The menu will display on the screen for approximately 20 seconds. Press **MENU** again to redisplay.
- Arrow (▶) indicates current selection or mode.
- All TV adjustments are controlled through the menu.
- 🕒 To see the time of day after setting the clock, press the **DISPLAY** key.
- Under weak stereo signal conditions, you may receive better quality sound in the "Mono" position.
- Extended Data Service (XDS) signal may not be transmitted by all broadcasters.
- To expand your viewing experience select **Sports**, **Movie** or **News** to match the program you are watching.
- Use the **CHANNEL** (▲/▼) keys and the **VOLUME** (▶/◀) keys to navigate through the menus and to make selections from the menus.

TV ADJUSTMENT AND SETUP

The on-screen menu system allows the viewer to program television features to their personal preference. Adjustments can be made easily using the remote control.

HOW TO MAKE ADJUSTMENTS

1. Press **MENU** key.
2. Use the (▲/▼) keys to **highlight** the desired feature.
3. Use the (▶/◀) keys to adjust the selected feature (▶ indicates selected item).

Items with submenus requires additional steps.

▲▼ keys	- + keys
Clock	0:00
Audio	▶Stereo Mono SAP
Picture/Sound	▶Sports Movie
	Auto Manual
Initial Channel	OFF ON C---
Antenna	▶Cable VHF/UHF
CH. Search	▶NO Start
CH. Scan Memory	C 34 Added
	Espanol
Menu Language	▶English Francais

Press MENU key to exit

SETTING THE CLOCK

1. Press **MENU** key.
2. Use the (▶) key to set hour and the (◀) key to set the minutes.
3. Press the **MENU** key to exit.

▲▼ keys - + keys

Clock 10:30

Audio

SETTING AUDIO MODE

Select desired sound setting, Stereo, Mono or SAP (secondary audio program). Stereo and SAP can be received only if the television station is broadcasting the signal.

1. Choose **Stereo**, **Mono**, or **SAP** from the **Audio** options.
2. Press the **MENU** key to exit.

Note: The TV will automatically reset to stereo if unplugged or a power interruption occurs.

▲▼ keys - + keys

Clock

Audio ▶Stereo Mono SAP

ADJUSTING PICTURE/SOUND

For automatic picture settings:

Choose **Sports**, **Movie**, or **News** from the **Picture/Sound** options.

▲▼ keys - + keys

Clock

Audio

Picture/Sound ▶Sports Movie

News Manual

Initial Channel

Antenna

CH. Search

CH. Scan Memory

Menu Language

Press MENU key to exit

(See page 9 to manually customize the picture/sound.)

To manually customize the picture:

1. Choose **Manual** from the **Picture/Sound** options.
2. Press the **MENU** key to open the controls submenu.
3. Use the **▲/▼** keys to highlight the control you want to adjust.
4. Use the **▷/◀** keys to make adjustments.
5. Press the **MENU** key to exit.

To manually customize the sound:

1. Press **MENU** key.
2. Use the **▲/▼** keys to highlight **Picture/Sound**.
3. Use the **▷/◀** keys to choose **Manual**.
4. Press the **MENU** key to open the controls submenu.
5. Use the **▲/▼** keys to select **Bass** or **Treble**.
6. Use the **▷/◀** keys to adjust the sound.
7. Press the **MENU** key to exit.

INITIAL CHANNEL SETUP

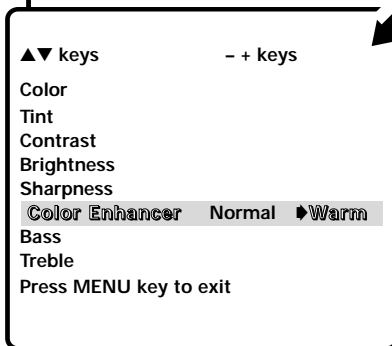
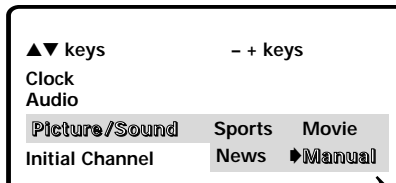
The TV can be programmed to tune to your favorite channel each time it is turned on, such as, a news or sports network, or the output of your VCR.

1. Press **MENU** key.
2. Use the **▲/▼** keys to highlight **Initial Channel**.
3. Press the **◀** key to turn **ON**. Select favorite channel (example): **C03**. To select cable channels above 99, press and hold the **1** key until **C1--** appears.
4. Press the **MENU** key to exit.

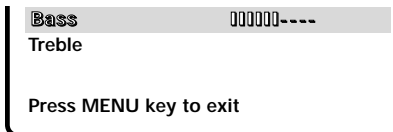
RESETTING THE ANTENNA/CABLE MODE AND CHANNEL SEARCH

Resetting the Antenna/Cable Mode or CH. (Channel) Search is required **only** if additional channels become available, such as moving to another city or having a cable service installed.

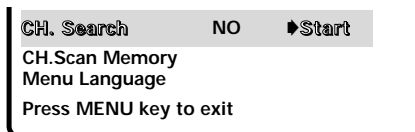
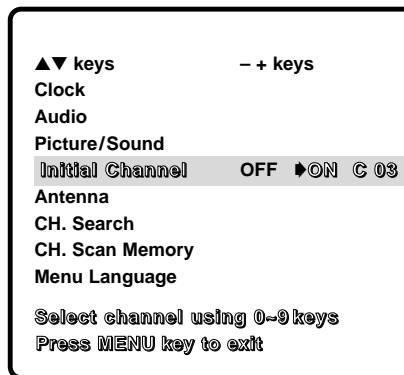
1. Choose **Start** from the **Ch. Search** menu options.
2. Press the **MENU** key to exit.



Picture/Sound Controls Submenu



Sound Controls Submenu



Quick Tips

- Use the color enhancer feature to enhance the picture flesh tones and color. Selecting warm will deepen the picture color.
- When Initial Channel is set to **OFF** the TV will tune to the last channel selected when powered on.
- When setting the Antenna mode, choose Cable if your TV is connected to a cable system, otherwise choose VHF/UHF.
- Press the **RESET** key twice to clear all settings. **The TV will automatically start Channel Search and clear all customized settings.**



QuickTips

- Channels deleted from scan memory can be selected with the number keys.
- The channel number area must be highlighted before pressing the **Enter** key to add or delete.
- Restoring deleted channels, use the on-screen menu to manually add channels or start CH. (Channel) Search from the menu.
- Make sure all cable connectors are fully seated on jacks.
- Always match cables according to the colors; RED for right audio, WHITE for left audio and YELLOW for video.
- Position your TV at least 2 feet from stereo speakers. The magnets in the speakers may affect the picture quality.
- **DO NOT** connect external speakers directly to the TV.

ADDING OR DELETING CHANNELS

1. Press **MENU** key.
2. Use the **Up**/**Down** keys to highlight **CH. Scan Memory**.
3. Press the **Enter** key to highlight the channel number entry area.
4. Enter the channel number (example): **C34**. For cable channels above 99, press and hold the **1** key until **C1=** appears. Then enter the other two numbers.
5. Press the **Enter** key to select option (example): **Delete**.
6. Press the **MENU** key to exit.

```

CH. Scan Memory  C 34  Deleted
Menu Language
Select channel using Δ∇, 0-9 keys
Press MENU key to exit
  
```

SELECTING THE DISPLAY LANGUAGE

1. Choose **English**, **Francais**, or **Espanol** from the **Menu Language** options.
2. Press the **MENU** key to exit.

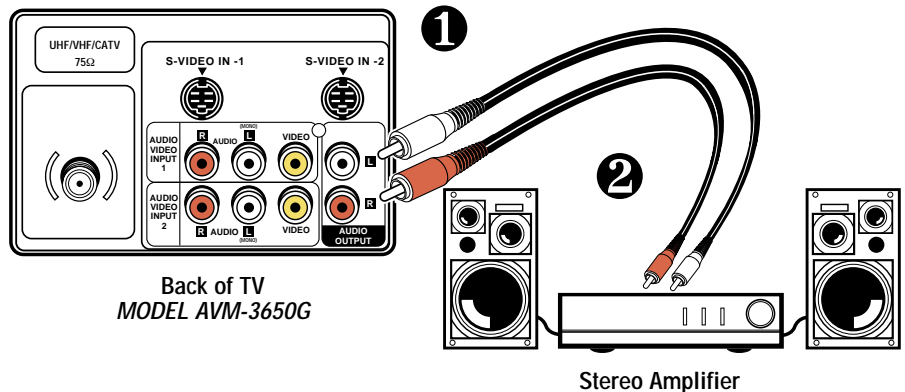
```

Menu Language  ▶English  Espanol
                Francais
Press MENU key to exit
  
```

USING THE AUDIO OUTPUT JACKS

CONNECTING A STEREO AMPLIFIER TO AUDIO OUT JACKS

1. Connect the TV Audio Output (R/L) **1** to the Stereo Amplifier In (R/L) **2**.
2. Press **POWER** on remote control to turn on the TV. Turn on external equipment also.



USING THE AUDIO/VIDEO INPUT JACKS

CONNECTING A VCR OR OTHER EXTERNAL EQUIPMENT

Switch off TV and external equipment before connecting cables.

1. Connect VCR, DVD, DSS, or other equipment's Audio Out (R/L) to the TV Audio Input (R/L) ①.

For Mono VCR (Single Audio Jack) connect VCR Audio Out to TV Audio (L) Input.

2. Connect VCR, DVD, DSS, or other equipment's Video Out to the TV Video Input ②.

Optional

Connect VCR, DVD, DSS, or other equipment's S-Video Out to the TV S-Video In 1 Jack ②.

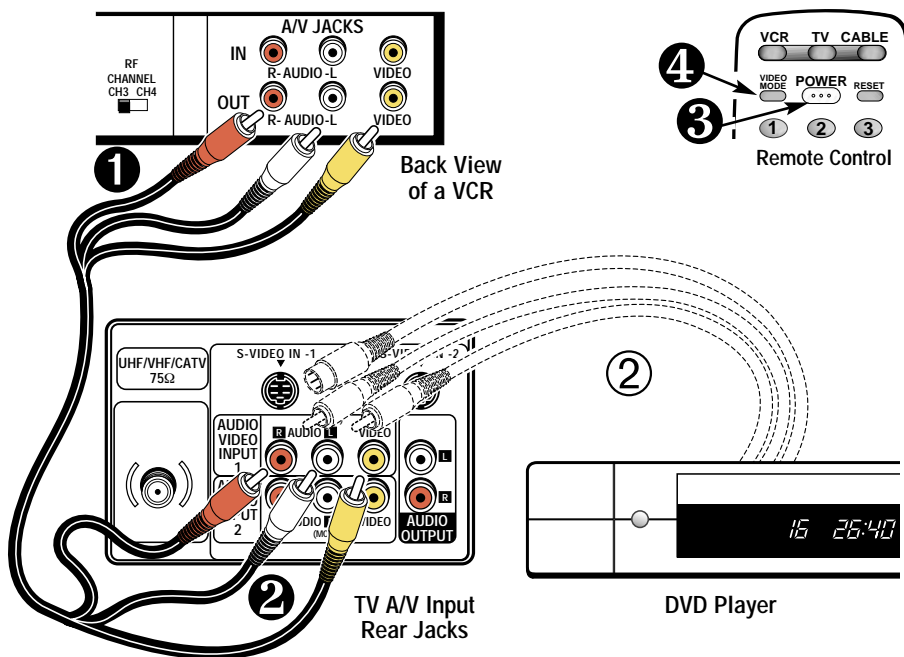
Using the S-Video In 1 jack overrides the Video 1 jack ②.

For model AVM-3650G only, using the S-Video In 2 jack overrides the Video2 Input jack ②.

3. Press **POWER** to turn on the TV. See ③. Turn on external equipment also.

4. Press the **VIDEO MODE** key ④ to select program source: TV signal or signal from the equipment you have connected to the A/V1 and A/V2 jacks. See ④ and page 6 for remote control operation.

Follow the same procedure to connect other compatible video equipment to the second set of A/V jacks.



QuickTips

- Make sure all cable connectors are fully seated on jacks.
- Always match cables according to the colors; RED for right audio, WHITE for left audio and YELLOW for video.
- A/V1 and A/V2 jacks have identical functions. Any compatible video equipment can be connected to either set of jacks.
- A solid Blue screen with the word Video1 or Video2 displayed means that the Video mode is selected, but no signal is being detected at the Video jack. Check connection, and turn on external equipment.
- Make sure you select TV channel to match your VCR output (Ch. 3 or 4).
- You may be able to use the remote control to operate your VCR, Cable Box and TV. (See page 7.)



QuickTips

- If Caption Text mode is selected and no captioned text is broadcasted, a black box may appear and remain on the TV screen.



To remove this black box, set captioning to any mode other than Text1 or Text2 or press the **RESET** key to cancel captioning and customized settings.

- When captioning is turned on, the channel display will **not** stay on the screen. For these displays to stay on the screen you must set Captioning to OFF.

CLOSED-CAPTIONING

Captioning is textual information transmitted along with the picture and sound so it can be displayed on the TV screen. Because different types of captions can be transmitted with the TV signal, separate captioning modes are provided. The captioning modes recognized by this model are: Caption1, Caption2, Text1, and Text2. Local broadcasters decide which caption signals to transmit. They may not choose to provide captions or may provide captions in one or all of the available modes.

Caption1: This is the main mode used for program captioning (words match the program you are watching). Almost all broadcasters will use Caption1 to transmit program captions. These captions are generally one or two lines.

Caption2: This is an alternative mode for program captioning. Caption2 may be used by the broadcaster to provide captions in another language, such as, Spanish or French.

Text1: This mode is used to display large amounts of text. This text will appear within a black box that may be nearly as large as the TV screen. Text displayed in this manner does not generally relate to the program. These captions may be used by broadcasters to provide weather reports, community bulletins, stock quotes, etc.

Text2: This is an alternative mode used to display large amounts of text. The same types of information displayed in Text1 can be displayed in Text2.

Quikcap: Quikcap allows captions to toggle on and off with the MUTE function. For example, the phone rings; you press the **MUTE** key on the remote control to block the TV sound; the captions display automatically. When you finish your conversation and press the **MUTE** key again to restore the sound, the captions will disappear.

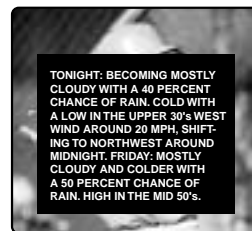
Quikcap displays program captions in the Caption1 mode.

SETTING CAPTIONING

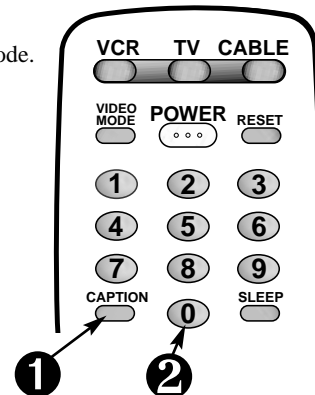
1. Press the **CAPTION** key on the remote control.
2. Use the **0** key to select OFF, Caption1, Caption2, Text1, Text2, or Quikcap.



Caption1/ Caption2



Text1/ Text2



V-GUIDE INFORMATION

NOTE: THIS FEATURE IS DESIGNED TO COMPLY WITH THE UNITED STATES OF AMERICA'S FCC V-CHIP REGULATIONS. THEREFORE, IT MAY NOT FUNCTION WITH BROADCASTS THAT ORIGINATE IN OTHER COUNTRIES.

With the introduction of "V-Chip" technology, it is now possible for Sanyo televisions to interpret MPAA and TV Parental Guidelines rating codes. When these codes are detected, the TV will automatically display or block the program, depending upon choices you make when setting up the V-Guide system.



ABOUT MPAA AND TV PARENTAL GUIDELINES

MPAA and TV Parental Guidelines are rating systems that provide advance cautionary information to parents about the content of movie and television programming.

MPAA is a voluntary rating system used by the movie industry. TV Parental Guidelines are modeled after the MPAA ratings and were designed to be simple to use, easy to understand, and easy to find.

TV Parental Guidelines contain both age-based and content-based information. This gives parents discretionary ways of choosing appropriate material for their children to view.

Content ratings are represented by the initials D (Suggestive Dialog), L (Adult Language), S (Sexual Situations), V (Violence), and FV (Fantasy Violence). When programming contains any or all of these conditions, these letters become part of the icon that is displayed on the TV screen.

A rating icon will appear in the upper left-hand corner of the TV screen for fifteen seconds at the beginning of a program and should be repeated at the beginning of the second hour of a long program. It may also appear when returning from commercials. There may be other instances when these icons will be displayed as well. Parents are encouraged to become familiar with these icons and their meanings.

WHERE CAN I FIND ADVANCE NOTICE OF PROGRAM RATING



Publishers of programming guides have been asked to include these ratings along with other information they publish. You can expect to find this information in newspapers, magazines, and on-screen listings and guides.

TYPES OF PROGRAMS TO RECEIVE RATING

The TV Parental Guidelines will apply to various types of TV programming, including: specials, mini-series, and movies. Sports, news, weather, emergency bulletins, locally originated programming, public service announcements, political, and religious shows do not currently carry guidelines.



Quick Tips

- Use the **CHANNEL**  keys and the **VOLUME**  keys to navigate through the menus and to make selections from the menus.
- V-Guide feature is accessible only from the remote control.
- The TV guidelines rating icon appears in the upper left hand corner of your TV screen.
- The V-Guide display remains on screen for only 20 seconds. If it disappears, press the **V-GUIDE** key.



C 34
10:00

XYZ
TITLE: THE SHOW
Rating: TVPG-V



QuickTips

- The TV will automatically block (B) ratings above or unblock (U) ratings below selection. For example, if you block rating R, NC17 and X will be blocked as well.
- Blocking TVY7 does not block higher ratings.
- You can block a content rating such as TVPG-V and still be able to watch TVPG programs with ratings of S-L-D provided TVPG is unblocked (U).
- To view Blocked (B) programs, set V-GUIDE to OFF, or press the RESET key twice to clear all Blocked (B) ratings and customized settings.
- When in the V-Guide menu system, the / keys allows you to navigate between the ratings and the options menu.

V-GUIDE OPERATION

Use this feature to supervise television viewing for children. This television can be set to automatically block programs with content you deem as inappropriate for your children to view, including: suggestive dialog, adult language, sexual situations, violence, and fantasy violence.

The ability of the television to block the reception of specific programming content depends upon several conditions: 1) The program must be rated, 2) Networks must broadcast the rating code data, 3) Cable companies must transmit the rating code signal, and 4) The TV must be properly setup to decode the signal.

The TV guidelines rating icon appears at the upper left hand corner of your TV screen.

SETTING MPAA MOVIE RATING

1. Press the key on the remote control to display menu.
2. Press the key to switch V-Guide ON.
3. Press the key again. Then use the / keys to highlight rating.
4. Press the key to BLOCK (B) or UNBLOCK (U) selected rating. (Arrow indicates selection.)
5. Press the key to return to the V-Guide Options menu.

V-GUIDE

	X B
	NC17 B
MPAA Movie Ratings	R B
TV Parental Guidelines	PG U
	G U

Press MENU key to BLOCK
Use , keys to select
Press V-GUIDE key to exit

SETTING AGE-BASED TV PARENTAL GUIDELINES

6. Use the / keys to highlight **TV Parental Guidelines**.
7. Press the key. Then use the / keys to highlight rating.
8. Press the key to BLOCK (B) or UNBLOCK (U) selected rating. (Arrow indicates selection.)

V-GUIDE

	TVMA B
	TV14 B
	TVPG B
TV Parental Guidelines	TV-G B
	TVY7 U
	TV-Y U
	Content

Press MENU key to BLOCK
Use , keys to select
Press V-GUIDE key to exit

SETTING CONTENT-BASED TV PARENTAL GUIDELINES

9. Follow steps 6 and 7. Use the / keys to highlight **Content**.
10. Press the key to display the Content Option menu.
11. Use the / keys to highlight a category (D-Suggestive Dialog, L-Adult Language, S-Sexual Situations, V-Violence, FV-Fantasy Violence).

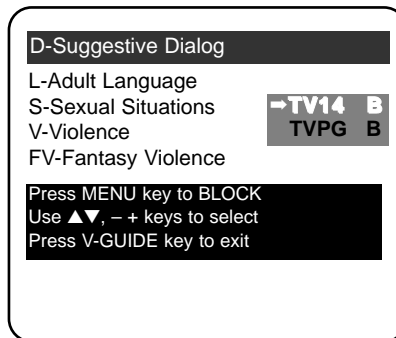
V-GUIDE

	TVMA B
	TV14 B
	TVPG B
TV Parental Guidelines	TV-G B
	TVY7 U
	TV-Y U
	Content

Press MENU key to set
Use , keys to select
Press V-GUIDE key to exit

(Continued on page 15.)

12. Press the key. Then use the / keys to highlight a rating.
13. Press the key to BLOCK (B) or UNBLOCK (U) selected rating. (Arrow indicates selection.)
14. Press the key to exit; or press the key to return to the Content Options menu.
15. Repeat steps 11 through 13 to BLOCK (B) or UNBLOCK (U) additional content ratings, if desired.



Note: Networks and local stations may or may not include the content ratings portion of the TV Parental Guidelines.

TURNING OFF THE V-GUIDE

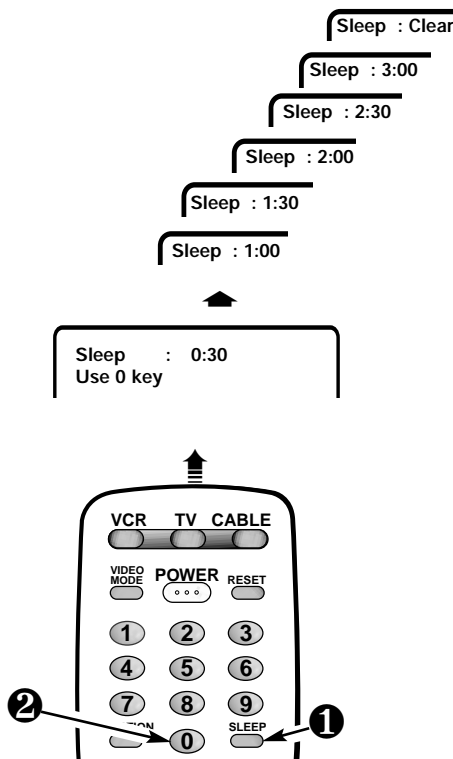
1. Press key.
2. Use the / keys to select OFF.

SETTING THE SLEEP TIMER

The Sleep Timer will switch off the TV automatically.

1. Press the **SLEEP** key.
2. Use the **0** key to select the desired time (from 30 minutes up to 3 hours).

Note: The Sleep Timer cancels when the TV is turned off or if a power failure occurs.



RESETTING THE TV

Press the **RESET** key to automatically reset the television to factory settings. These features will automatically reset:

- Picture/Sound Adjustments: Color, Tint, Contrast, Brightness, Sharpness, Color Enhancer, Bass, and Treble
- Channel Memory
- Audio to Stereo
- Initial Channel
- Caption to OFF
- V-Guide to OFF
- Language to English
- Clock and Sleep Timer (if previously set)



If desired, personal settings can be made again using the menu options.

CARE AND CLEANING

The surface of the cabinet can be damaged if not properly maintained. Many common household aerosol sprays, cleaning agents, solvents and polishes will cause permanent damage to the fine surface.

1. Unplug the power cord before cleaning the television.

2. Clean the screen and cabinet with a soft dry cloth.

Note: **NEVER** spray liquids on the screen because they can run down and drip onto the chassis. This may cause component failure not covered under Warranty.



HELPFUL HINTS - PROBLEMS/SOLUTIONS

BEFORE REQUESTING SERVICE CHECK THE FOLLOWING CHART.

Problem:	Check these Conditions:	Try these Solutions:
TV turns off automatically.	<ul style="list-style-type: none">• Check signal (Cable/Ant.) connection.• Power surge protection feature.	<ul style="list-style-type: none">• Press POWER key.• Sleep Timer may have been set.• Unplug TV momentarily.
No picture, poor picture.	<ul style="list-style-type: none">• Check antenna connections.• May be station trouble.• Brightness or Contrast misadjusted.• Possible interference from household appliance.	<ul style="list-style-type: none">• Adjust antenna.• Try a different channel.• Press RESET key.

(Continued on page 17.)

HELPFUL HINTS - PROBLEMS/SOLUTIONS (Continued)

BEFORE REQUESTING SERVICE CHECK THE FOLLOWING CHART.

Problem:	Check these Conditions:	Try these Solutions:
Black box on screen.	<ul style="list-style-type: none"> • Caption Text Mode without display information. 	<ul style="list-style-type: none"> • Press RESET key. • Switch OFF Captions (see page 12).
Poor color or no color.	<ul style="list-style-type: none"> • Check if program is in color. • Check antenna connections. • Color or Tint misadjusted. • May be station trouble. 	<ul style="list-style-type: none"> • Try a different channel. • Adjust antenna. • Press RESET key.
Blue Screen with Video1 or Video 2 displayed.	<ul style="list-style-type: none"> • Check Audio/Video connections. • Check external equipment. 	<ul style="list-style-type: none"> • Press VIDEO MODE key. • Switch on external equipment.
No sound, poor sound.	<ul style="list-style-type: none"> • May be station trouble. • May be MUTE function. • Check Audio/Video connections. 	<ul style="list-style-type: none"> • Try a different channel. • Adjust Volume.
No TV stereo sound.	<ul style="list-style-type: none"> • Check if station is broadcasting a true MTS stereo signal. 	<ul style="list-style-type: none"> • Select Stereo from Audio on-screen menu.
No TV SAP sound.	<ul style="list-style-type: none"> • Check if station is broadcasting a SAP signal. 	<ul style="list-style-type: none"> • Select SAP from Audio on-screen menu.
No Cable channels above number 13.	<ul style="list-style-type: none"> • Cable Channel Indicator C should appear next to channel number. 	<ul style="list-style-type: none"> • Select Cable from Antenna on-screen menu; then start CH. (channel) Search using Menu.
No UHF channels, VHF OK.	<ul style="list-style-type: none"> • Cable Channel Indicator C should not appear next to channel number. 	<ul style="list-style-type: none"> • Select VHF/UHF from Antenna on-screen menu; then start CH. (channel) Search using menu.
Cannot select or scan some channels.	<ul style="list-style-type: none"> • Channel may be removed from memory. • Check antenna connections. • V-Guide is set to block programming. (See pages 14 and 15.) 	<ul style="list-style-type: none"> • Select CH. Scan Memory and manually add channels or start channel search. • Press RESET key to clear setting. • Set V-Guide to OFF or press the RESET key.
No Captioning.	<ul style="list-style-type: none"> • Check if station is broadcasting a Closed-Caption signal. • Check Caption Channel. 	<ul style="list-style-type: none"> • Select Caption1 or Caption2 (see page 12).
Menu System words seem misspelled.	<ul style="list-style-type: none"> • Maybe a foreign language is selected. 	<ul style="list-style-type: none"> • Reselect your menu language choice using the on-screen menu.
Remote Control will not work.	<ul style="list-style-type: none"> • Check batteries. • Check if TV set is plugged in. • Press TV key. 	<ul style="list-style-type: none"> • Replace batteries. • Aim remote control at front of TV.
Remote Control will not operate VCR and Cable Box.	<ul style="list-style-type: none"> • Press VCR or CABLE key. • Check external equipment. 	<ul style="list-style-type: none"> • Re-enter brand code (see page 7).
Cabinet makes popping sound.	<ul style="list-style-type: none"> • This is a normal condition during warm-up and cool down of the plastic cabinet parts. 	



This symbol on the nameplate means the product is Listed by Underwriters' Laboratories Inc. It is designed and manufactured to meet rigid U.L. safety standards against risk of fire, casualty and electrical hazards.

SANYO Television Limited Warranty

OBLIGATIONS

To obtain Warranty service, television between the size of 13" ~ 27" (measured diagonally) must be delivered to and picked up from an authorized SANYO Service Center at the user's expense unless specifically stated otherwise in this warranty.

For 32" and above (measured diagonally), in-home service is available.

THIS WARRANTY IS VALID ONLY ON SANYO PRODUCTS PURCHASED AND USED IN THE UNITED STATES OF AMERICA, EXCLUDING ALL U.S. TERRITORIES AND PROTECTORATES. THIS WARRANTY APPLIES ONLY TO THE ORIGINAL RETAIL USER, AND DOES NOT APPLY TO PRODUCTS USED FOR ANY INDUSTRIAL, PROFESSIONAL OR COMMERCIAL PURPOSE. THE ORIGINAL DATED BILL OF SALE OR SALES SLIP MUST BE SUBMITTED TO THE AUTHORIZED SANYO SERVICE CENTER AT THE TIME WARRANTY SERVICE IS REQUESTED.

The name and addresses of Authorized Sanyo Service Centers may be obtained by calling the toll free number listed below.

CUSTOMER / TECHNICAL INFORMATION (Product operation, authorized service center referral, service assistance or problem resolution)	PARTS ORDER INFORMATION (Accessories and/or parts not available from an authorized dealer)
1-800-877-5032 Weekdays 7:30 A.M. ~ 4:00 P.M. Central Time	1-800-726-9662 Weekdays 8:30 A.M. ~ 5:00 P.M. Pacific Time

Subject to the OBLIGATIONS set up above and the EXCLUSION AND CONDITIONS set out below, SANYO MANUFACTURING CORPORATION (SMC) warrants this SANYO product against defects in materials and workmanship for the periods of LABOR and PARTS specified below. SMC will repair or replace (at its option) within a reasonable time the product and any of its parts which fail to conform to this warranty. Repair or replacement of the product or its parts shall be the exclusive remedies available to user. The user is responsible for all other costs. Such costs may include, but are not limited to all necessary or incidental costs incurred to install the repaired product. The warranty period commences on the date the product was first purchased at retail.

LABOR	PARTS	PICTURE TUBE
90 DAYS	1 YEAR	2 YEARS

EXCLUSIONS AND CONDITIONS

This warranty does not cover (A) the adjustment of customer-operated controls as explained in the appropriate model's instruction manual, or (B) the repair of any product whose serial number has been altered, defaced or removed.

This warranty shall not apply to the cabinet or cosmetic parts, antenna, knobs, batteries or image burns to projection or picture tubes caused by electronic devices or games.

This warranty does not apply to uncrating, setup, installation, removal of the product for repair, or reinstallation of the product after repair.

This warranty does not apply to repairs or replacements necessitated by any cause beyond the control of SMC including, but not limited to, any malfunction, defect or failure caused by or resulting from unauthorized service or parts, improper maintenance, operation contrary to furnished instructions, shipping or transit accidents, modification or repair by the user, abuse, misuse, neglect, accident, incorrect line voltage, fire, flood or other Acts of God, or normal wear and tear.

The foregoing is in lieu of all other expressed warranties with respect to the television or installation, operation, repair or replacement of the television. SMC shall not be responsible for the loss of use of the unit, inconvenience, loss or damage to personal property, whether direct or indirect and whether arising in tort or contract.

THE DURATION OF ANY WARRANTIES WHICH MAY BE IMPLIED BY LAW (INCLUDING THE WARRANTIES OF MERCHANTABILITY AND FITNESS) IS LIMITED TO THE TERM OF THIS WARRANTY. IN NO EVENT SHALL SMC BE LIABLE FOR SPECIAL, INCIDENTAL OR CONSEQUENTIAL DAMAGES ARISING FROM OWNERSHIP OR USE OF THIS PRODUCT, OR FOR ANY DELAY IN THE PERFORMANCE OF ITS OBLIGATIONS UNDER THIS WARRANTY DUE TO CAUSES BEYOND ITS CONTROL. SOME STATES DO NOT ALLOW LIMITATIONS ON HOW LONG AN IMPLIED WARRANTY LASTS AND/OR DO NOT ALLOW THE EXCLUSION OR LIMITATION OF CONSEQUENTIAL DAMAGES, SO THE ABOVE LIMITATIONS AND EXCLUSIONS MAY NOT APPLY TO YOU.

THIS WARRANTY GIVES YOU SPECIFIC LEGAL RIGHTS. YOU MAY HAVE OTHER RIGHTS, WHICH VARY FROM STATE TO STATE.

For your protection in the event of theft or loss of this product, please fill in the information requested below and KEEP in a safe place for your own personal records.

Model No. _____ Serial No. _____

(Located on back of unit.)

Date of Purchase _____ Purchase Price _____

Where Purchased _____

SANYO MANUFACTURING CORPORATION
 3333 Sanyo Road
 Forrest City, AR 72335

ESPAÑOL

Manual de Instrucciones

CONTENIDO

Importantes Medidas de Seguridad	20	Transmisión Captada	30
Características	21	Información de Guía-V	31
Especificaciones	21	Operación de Guía-V (Control Paternal)	32~33
Ajustes Básicos	21	Ajustando el Cronómetro para Dormir	33
Métodos Básicos de Conexión	22	Reajustando La TV	34
Panel Posterior	23	Cuidado y Limpieza	34
Control Remoto	23~25	Sugerencias Útiles	
Ajustes del TV	26~28	Problemas / Soluciones	34~35
Usando La Salida de Audio	28	Garantía y Servicio	Portada posterior
Usando Las Entradas de Audio y Video (A/V)	29		



“Como un Asociado de ENERGY STAR®,” Sanyo ha determinado que este producto cumple con los lineamientos en eficiencia energética de ENERGY STAR®.

Bienvenido al Mundo SANYO

Gracias por comprar un Televisor a Color Sanyo. Usted hizo una excelente selección por Funcionamiento, Confiabilidad, y Precio.

El TV esta diseñado con instrucciones de fácil ajuste y operación en pantalla. Para reunir las necesidades de nuestros clientes, el TV tiene el V-chip electrónico de control paternal, para tener un control de los programas vistos por menores.

PRECAUCION

RIESGO DE TOQUE ELECTRICO NO ABRIR!

PRECAUCION: PARA REDUCIR EL RIESGO DE TOQUE ELECTRICO, NO quite la cubierta (o la tapa trasera). NO HAY PARTES ADETRON QUE LAS PUEDA REPARAR EL USUARIO. REFIERASE A PERSONAL CALIFICADO PARA REPARAR EL APARATO.

ESTE SIMBOLO INDICA QUE VOLTAJES PELIGROSOS QUE CONSTITUYEN UN RIESGO DE TOQUE ELECTRICO ESTAN PRESENTES DENTRO DE ESTA UNIDAD.



ESTE SIMBOLO INDICA QUE HAY INSTRUCCIONES IMPORTANTES DE OPERACION Y MANTENIMIENTO EN LA LITERATURA QUE SE ANEXA A ESTA UNIDAD.



ADVERTENCIA: PARA REDUCIR EL RIESGO DE FUEGO O TOQUE ELECTRICO, NO EXPONGA ESTE APARATO A LLUVIA O HUMEDAD.

IMPORTANTES MEDIDAS DE SEGURIDAD

PRECAUCION: POR FAVOR SIGA TODAS LAS ADVERTENCIAS EN EL PRODUCTO Y EN LAS INSTRUCCIONES DE OPERACION. ANTES DE OPERAR EL PRODUCTO, POR FAVOR LEA TODAS LAS INSTRUCCIONES DE OPERACION Y SEGURIDAD. GUARDE ESTA LITERATURA PARA SU REFERENCIA. *Siga todas las instrucciones.*

Colocando el aparato

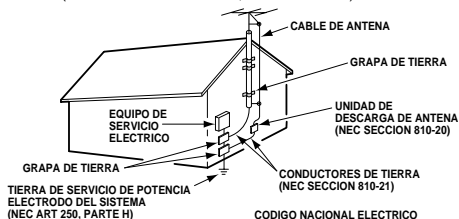
1. No coloque su aparato en carrito, pedestal, anaquele o mesa que sean inestables. Heridas serias a un individuo, y averia al aparato, pueden resultar si este cae. Su vendedor puede recomendar carritos y pedestales o anaqueles e instrucciones para montaje en la pared. Una combinacion de aparato y carrito debera de ser movida con cuidado. Paradas rapidas, fuerza excesiva, y superficies irregulares pueda causar que la combinacion de aparato y carrito se volteen y caigan.
2. Las ranuras y aperturas en el gabinete y en la parte trasera e inferior fueron provistas para ventilacion del aparato. Para asegurar una operacion confiable del aparato y protegerlo de sobrecalentamiento, estas aperturas no deberan de ser tapadas o cubiertas. Las aperturas nunca deberan de ser cubiertas con un trapo u otro material, y las aperturas de la parte inferior no deberan de ser tapadas poniendo la unidad en una cama, sofa, alfombra, u otra superficie similar. Este aparato nunca debera de ser puesto cerca o sobre radiadores de calor. Este aparato nunca debera de ser puesto en instalaciones tales como libreros a no ser que haya una adecuada ventilacion en tales instalaciones.
3. No exponga el aparato a lluvia o a uso cerca de agua . . . por ejemplo, cerca a una bañera, una alberca, un lavabo, en un sótano húmedo, etc.



Conectando la Antena Externa

PROTECCION EN CONTRA DE RAYOS ELECTRICOS PARA SU ANTENA Y APARATO DE ACUERDO A LAS INSTRUCCIONES DEL CODIGO NACIONAL ELECTRICO (EUA).

EJEMPLO DE ATERRIZAMIENTO DE ANTENA DE ACUERDO AL CODIGO NACIONAL ELECTRICO (National Electrical Code, ANSI/NFPA 70)



*Nota al instalador del sistema de cable CATV:

Este recordatorio es dado para llamar la atención del instalador del sistema de cable CATV al Artículo 820-40 del NEC que provee guías para el aterrizamiento adecuado y, en particular, especifica que la tierra del cable deberá de estar conectada al sistema la tierra del edificio, tan cercano al punto de entrada del cable como sea practico.*

4. Si una antena exterior es conectada al receptor, asegúrese que el sistema de antena esté aterrizado para proveer alguna protección en contra de impulsos de voltaje y la acumulación de cargas estáticas. El artículo 810 del código nacional eléctrico de los Estados Unidos de América (National Electrical Code, ANSI/NFPA 70), provee información con respecto al aterrizamiento correcto del mástil y la estructura de soporte, el aterrizamiento del alambre a la antena en una unidad de descarga, el tamaño de los conductores de aterrizamiento, la localización de la unidad de descarga, conexión a los electrodos de aterrizamiento, y requerimientos para los electrodos de aterrizamiento.

Una antena exterior no deberá de ser localizada en la vecindad de líneas de potencia que pasen por encima de otros circuitos de luz eléctrica o de potencia, o en donde pueda caer sobre tales líneas de potencia o circuitos. Cuando se instale un sistema de antena externa, se debe de tener cuidado extremo en no tocar tales líneas de potencia o circuitos ya que contacto con ellos puede llegar a ser fatal.

Conectando el cordón de potencia

5. El diseño de muchos aparatos eléctricos no requiere un conector de línea A.C. polarizado (una hoja más grande que la otra). Sin embargo, si su aparato está equipado con un conector de línea A.C. polarizado, esta es una medida de seguridad que previene que el conector sea insertado incorrectamente. Si usted tiene dificultades al insertar el conector de A.C., trate de invertirlo. Si el conector todavía no se puede insertar en el receptáculo de A.C., póngase en contacto con un técnico electricista para que reemplace su receptáculo obsoleto. No trate de eliminar el propósito de seguridad de este conector polarizado.
6. No deje que nada descansa sobre el cordón de potencia. No coloque el aparato en donde el cordón de potencia pueda ser abusado por personas caminando sobre el.



Limpieza

7. Antes de limpiar, desconecte la unidad del receptáculo de la pared. No aplique limpiadores líquidos o de aerosol directamente a la unidad. Use un trapo húmedo para limpiar.

Servicio y Reparación

8. Desconecte el aparato del receptáculo de pared y refiera servicio a personal de servicio eléctrico calificado bajo las siguientes condiciones:
 - A. Si el cordón de potencia o el conector están averiados o raídos.
 - B. Si líquido ha sido derramado en el aparato.
 - C. Si el aparato ha sido expuesto a lluvia o agua.
 - D. Si el aparato ha sido tirado o el gabinete a sido averiado.
 - E. Si el aparato exhibe un cambio perceptible en funcionamiento.
 - F. Si el aparato no opera normalmente siguiendo las instrucciones de operación, ajuste solamente aquellos controles que han sido cubiertos en las instrucciones de operación. Ajuste impropio de otros controles puede resultar en averia al aparato y posiblemente requiera de trabajo extensivo por un técnico calificado para restaurar el aparato a su operación normal.
9. Cuando se termine cualquier servicio o reparación, requiera del técnico de servicio confirmación de que solo Partes Autorizadas de Remplazo de Fabrica que tengan las mismas características que las partes originales hayan sido usadas, y que verificaciones de seguridad rutinarias hayan sido llevadas a cabo para determinar que el aparato se encuentra en condiciones seguras de operación. Substituciones no autorizadas pueden resultar en fuego, toque eléctrico u otros peligros.
10. Nunca adicione accesorios que no han sido específicamente diseñados para uso con este aparato.
11. Para protección adicional durante una tormenta eléctrica, o cuando el aparato es dejado sin atención ni uso durante largos periodos de tiempo, desconéctelo del receptáculo de la pared y desconecte la antena. Esto evitará daños al aparato debido a rayos o a cambios bruscos en el voltaje de línea.

CARACTERÍSTICAS

- ◆ Menú en Pantalla Trilingüe
 - ◆ Búsqueda Automática de Canales
 - ◆ Apagado Automático
 - ◆ Transmisión Captada / Quikcap
 - ◆ Comb Filter
 - ◆ Controles digitales de Imagen desplegados en Pantalla
 - ◆ MTS sonido estereofónico/ dbx® /sonido SAP
 - ◆ Resaltar Color
 - ◆ Tonos de piel por ajuste Automático
 - ◆ XDS (Servicio Extendido de Información) Identificación de Estaciones, títulos y clasificación de programas
 - ◆ Automáticos Imagen/Sonido ajustes para deporte/ cline/noticia
 - ◆ Canal Inicial
 - ◆ Bajos / Agudos
 - ◆ V-Guide (Control Paternal)
 - ◆ Entradas de Audio/Video (2 juegos de entradas posteriores)
 - ◆ Entradas de S-Video (2 juegos de entradas posteriores para *Modelo AVM-3650G solo*)
 - ◆ Salidas Fijas de Audio
 - ◆ Reloj
 - ◆ Cronómetro para Dormir (3 horas)
 - ◆ Reajuste de TV
- Sistema de sintonía de 181 canales**
 VHF Canales 2-13
 UHF Canales 14-69
 Cable TV (CATV) 1, 14-125
- Sintonía Fina Automática**
 VHF y Canales de Cable
- Control Remoto Universal Multi Marcas : CABLE/VCR/TV**
- Teclas grandes, de funciones básicas que se iluminan en la oscuridad**
- | | |
|----------------------|------------|
| Selección de Canales | Numerados |
| Búsqueda de Canales | Volume |
| Mute | Power |
| Recall | Display |
| Sleep | Caption |
| Reset | Menu |
| V-Guide | Video Mode |
| VCR teclas | |
- dbx® es una marca registrada de Carillon Electronics Corporation

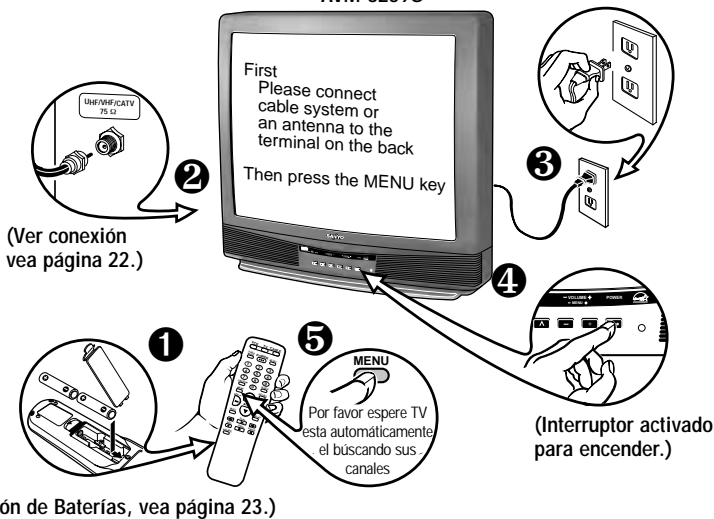
PRECAUCION : Las Regulaciones de FCC declaran, que las modificaciones no apropiadas o cambios no autorizados a esta unidad, pueden anular la autoridad del usuario para operar la unidad.

ESPECIFICACIONES

- TAMAÑO DEL TUBO DE IMAGEN** (Medido Diagonalmente)
 AVM-3259G 32-pulgadas / AVM-3650G 36-pulgadas
- RESOLUCIÓN DE IMAGEN** 330 Líneas
 Entrada de Video 600 Líneas
- ENTRADA DE ANTENA** UHF/VHF/CATV 75Ω
- REQUERIMIENTOS DE CONSUMO** . . 120VAC 60Hz
- CONSUMO** AVM-3259G 89 watts
 AVM-3650G 102 watts
- DIMENSIÓN HORIZONTAL (Ancho)**
 AVM-3259G 30.0 in. (762mm)
 AVM-3650G 33.4 in. (848mm)
- DIMENSIÓN VERTICAL (Alto)**
 AVM-3259G 27.8 in. (707mm)
 AVM-3650G 29.5 in. (750mm)
- DIMENSIÓN EN PROFUNDIDAD (Grosor)**
 AVM-3259G 21.2 in. (538mm)
 AVM-3650G 24.4 in. (620mm)
- PESO (Lbs.) (APROX.)**
 AVM-3259G 108.6 (49.3 Kg.)
 AVM-3650G 144.3 (65.5 Kg.)
- SONIDO** AVM-3259G 2 Bocinas Tamaño : 10 cm
 AVM-3650G 2 Bocinas Tamaño : 6x12cm
- AMPLIFICADOR** Interon 3.0W
- ENTRADAS DE A/V** Entrada de Video/Audio (R/L-2 juegos),
 Entradas S-Video (2 juegos-*Modelo AVM-3650G solo*)
- SALIDAS DE AUDIO** Salida de Audio Fijo (R/L)(RCA Connectors)

AJUSTES BÁSICOS

AVM-3259G



Consejos Rápidos

- No se coloque el TV en áreas confinadas. Permita una circulación normal de aire para las partes eléctricas.
- Coloque su televisor al menos a 60 cm de las bocinas de un sistema estéreo. Los magnetos en dichas bocinas pueden afectar la calidad de pureza de la imagen.
- El TV seleccionará el modo correcto de Antena, de acuerdo al tipo de señal que Ud. conecto.



Consejos Rápidos

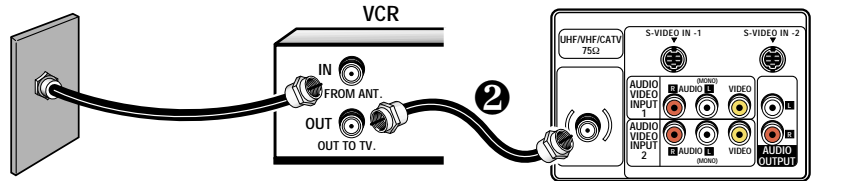
- El TV seleccionará el modo correcto de Antena, de acuerdo al tipo de señal que Ud. conecta.
- El TV se apagará automáticamente después de 15 minutos, si no hay recepción de señal (si la estación de cable o la estación de TV no esta transmitiendo).

Excepciones—Cuando el modo de Video este seleccionado, el TV no se apagará automáticamente cuando la señal de recepción ha sido detenida por 15 minutos.

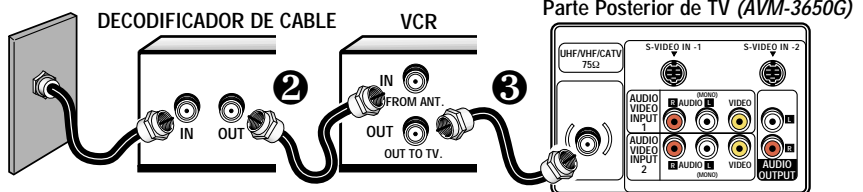
MÉTODOS BÁSICOS DE CONEXIÓN

Use uno de los siguientes métodos para conectar una señal a su TV. **1a**— Si Ud. tiene servicio de cable y una VCR. **1b**—Si Ud. tiene un decodificador de cable y una VCR, **1c**—Si Ud. tiene una antena externa o interna y una VCR, **1d**— Si Ud. tiene un receptor de satélite y una VCR. Conecte su sistema de cable o antena directamente a la TV, si Ud. no tiene accesorios opcionales.

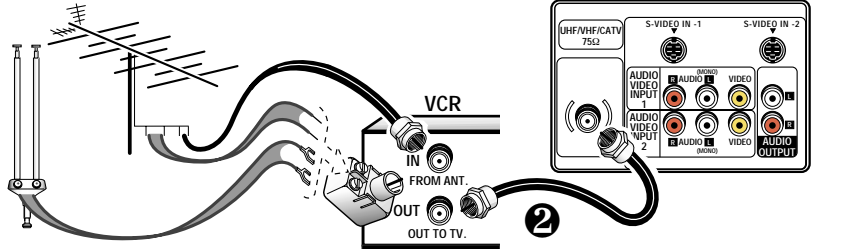
1a Sistema de Cable con VCR y TV



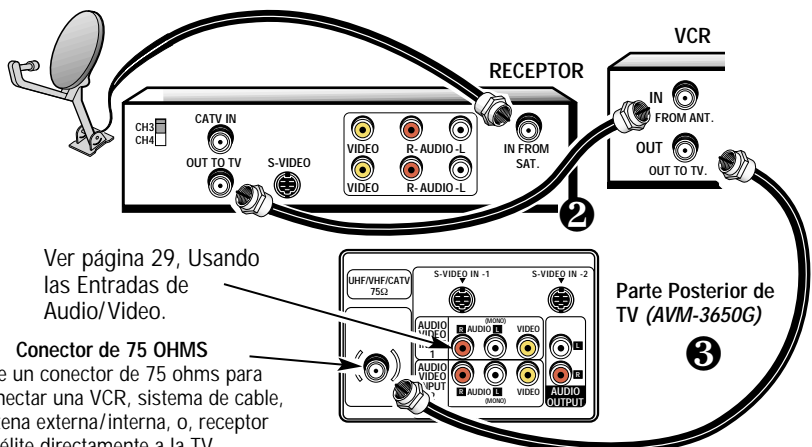
1b Sistema de Cable con Decodificador de Cable, VCR y TV



1c Antena Exterior o Interior a VCR a TV



1d Receptor de Satélite, VCR y TV



NOTA CONCESIÓN DE CATV : Compañías de cable, como servicios públicos, son concesionados por las autoridades de los gobiernos locales. Para recibir programas de cable, cada equipo debe de ser capaz de recibir canales de cable, para recibir este servicio, el consumidor debe de suscribirse a una compañía de cable.

Ver página 29, Usando las Entradas de Audio/Video.

Conector de 75 OHMS

Use un conector de 75 ohms para conectar una VCR, sistema de cable, antena externa/interna, o, receptor satélite directamente a la TV.

PANEL POSTERIOR (MODELO AVM-3650G)

Terminal de Entrada de S-Vídeo In-1 (Súper Vídeo)

Para realizar los detalles del vídeo, use el conector de entrada de S-Vídeo 1 en lugar de la entrada de A/V 1. Si esta disponible en su equipo de vídeo externo. (La conexión de S-Vídeo 1 se superpondrá a la conexión de Video 1.)

Terminal de Entrada de S-Vídeo In-2 (Súper Vídeo)

Para Modelo AVM-3650G solo
Para realizar los detalles del vídeo, use el conector de entrada de S-Vídeo 2 en lugar de la entrada de A/V 2. Si esta disponible en su equipo de vídeo externo. (La conexión de S-Vídeo 2 se superpondrá a la conexión de Video 2.)

Entradas de Audio/Video (A/V1)

Conecte aquí el equipo externo de video (vea página 29).

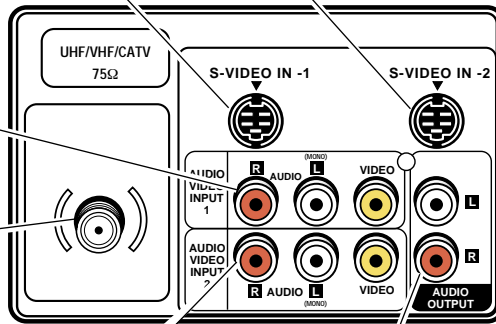
Entrada de Terminal de Antena/Cable (75 ohms)

Entradas Audio/Video (A/V2)

Conecte aquí otro equipo externo de video (vea página 29).

Conectores de Salidas de Audio (Fijo)

Conecte aquí el equipo de audio externo (vea página 28).



Consejos Rápidos

- Asegúrese que los conectores de los cables estén totalmente asentados en los conectores. Ver páginas 28 y 29 antes de conectar el equipo de video externo.
- Un pantalla de color Azul, con la palabra de Video1 o Video2 desplegada, significa que el modo de Video esta seleccionado, pero la señal no ha sido detectada en el conector de Video.
- Los cables para conectar su equipo externo no están incluidos.
- Asegúrese que baterías este instaladas correctamente.
- Apunte el control remoto hacía el equipo que Ud. quiere operar. Objetos entre el control remoto y el equipo, pueden causar un mal funcionamiento del control remoto.

CONTROL REMOTO UNIVERSAL

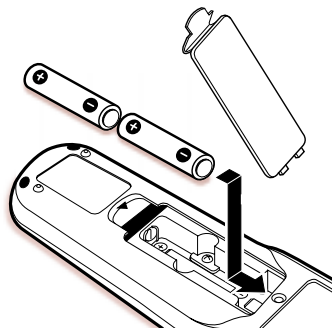
Operar su TV, VCR o decodificador de Cable. Para familiarizarse con este control remoto, vea página 24. Para programar este control remoto, vea página 25.

INSTALACIÓN DE BATERÍAS (2 AA no incluidas)

1. Quite la cubierta de las baterías, presionando la lengüeta e inclinando la cubierta hacía adelante. Inserte las baterías. Asegúrese que las marcas \oplus / \ominus correspondan con los signos de las baterías, y estas coincidan con las marcas internas del control remoto.
2. Coloque la cubierta de las baterías. ¡El control remoto esta listo!

Notas :

- No mezclar baterías viejas con nuevas o mezclar diferentes tipos de baterías a la vez.
- Quite las baterías, si el control remoto no va ser usado por más de un mes. Baterías débiles pueden escurrirse y dañar el control remoto.



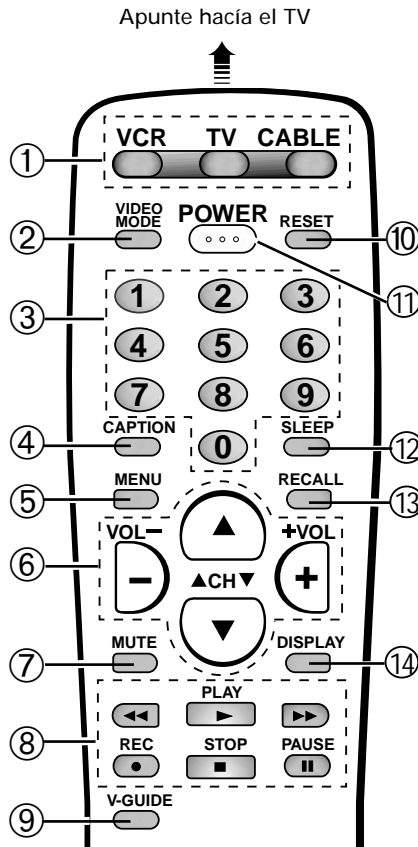
NOTA IMPORTANTE : Las baterías descargadas deben de ser recicladas o desechadas adecuadamente, de acuerdo con los reglamentos aplicables. Para más información, contacte a sus Autoridades Locales para el manejo de Deshechos Solidos.



Consejos Rápidos

- Las teclas del panel frontal trabajan igual que las teclas del control remoto.
- Apunte el control remoto hacia el equipo que Ud. quiere operar. Objetos entre el control remoto y el equipo, pueden causar un mal funcionamiento del control remoto.
- Asegúrese que baterías este instaladas correctamente.
- Sí el control remote no funciona: presione la tecla de **TV** (ver artículo 1).
- El control remote debe de ser programado antes de operar su VCR o su Decodificador de Cable. (Ver página 25.)
- No puede seleccionar un canal con las teclas numeradas. Presione "0" antecediendo a los números del 1-9. Ejemplo: Canal "05."
- La letra "C" antecediendo a número de canal, indica que es un canal de cable.
- Ajustando el nivel de volumen: La flecha de parpadeante hacia el lado derecho, indica que el volumen esta aumentando. La flecha parpadeante hacia la izquierda indica que el volumen es disminuyendo.
- Usando V-Guide
Los comandos de ajuste de control Paternal solo pueden ser cambiados usando el control remoto. Ver páginas 32 y 33.

TECLAS DEL CONTROL REMOTO



① Teclas de Modo

Use estas teclas para programar el control remoto y para seleccionar el modo de operación (VCR, TV, o Cable).

② Tecla de Video Mode

Presione para seleccionar la fuente del programa que va a ser desplegado en la pantalla: Señal TV o señal de del equipo de video que ha sido conectado a las entradas de A/V.

③ Teclas Numeradas

Dos teclas deben de ser presionadas para seleccionar un canal. Ejemplo : Presione **0** y después **6**, para seleccionar el **canal 6**. Para canales de cable del **100 hasta el 125**, presione y mantenga así la tecla del número **1** hasta que el **C1--** aparezca.

④ Tecla de CAPTION (Vea página 30.)

⑤ Tecla de MENU

Use esta tecla, junto con las teclas de navegación, use \uparrow/\downarrow y \leftarrow/\rightarrow para ajustar las funciones del sistema de menú en pantalla (vea páginas 26-28).

⑥ Teclas de búsqueda de Canales

(\uparrow/\downarrow) y de Volumen (\leftarrow/\rightarrow) Presione para buscar a través de los canales en memoria y para ajustar el volumen.

⑦ Tecla de MUTE

Presione una vez para apagar el volumen y presione nuevamente para restaurarlo.
Nota : Cuando este usando las salidas de audio, esta tecla no enmudecera en sonido.

⑧ Teclas para VCR

Estas teclas controlan el Avance hacia adelante (\blacktriangleright), Rebobinado (\blacktriangleleft), Reproducción (\blacktriangleright), Grabación (\bullet), y las funciones de Detener (\blacksquare), y Pausa (\parallel) de su VCR.

⑨ V-Guide (Vea páginas 32 y 33.)

⑩ Tecla de RESET

Presione esta tecla dos veces para llamar a los ajustes de fábrica. **La TV inicializará automáticamente la búsqueda de canales, y eliminará todos los ajustes hechos por el usuario.** (Vea página 34.)

⑪ Tecla de POWER

Presione esta tecla para encender o apagar la TV.

⑫ Tecla de SLEEP

Use esta tecla con "0" para ajustar el cronómetro para Dormir (vea página 33).

⑬ Tecla de RECALL

Seleccione un canal, entonces seleccione otro usando las teclas numeradas. Presione **Recall**, para hacer el cambio entre estos canales.

⑭ Tecla de DISPLAY

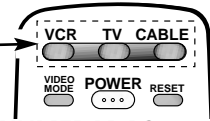
Presione una vez para que aparezca el desplegado del canal. Presione dos veces para que el desplegado aparezca nuevamente. Presione nuevamente para eliminarlo.

PROGRAMANDO EL CONTROL REMOTO UNIVERSAL PARA OPERAR SU VCR Y DECODIFICADOR DE CABLE

Localice su código. Este se encuentra junto a la marca de su equipo, en la carta de abajo. (Ejemplos ilustrados para una VCR Sanyo)

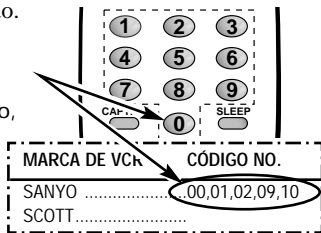
1 Presione y mantenga así la tecla de **VCR o CABLE**.

Presione y mantenga así el botón.



2 Usando las teclas **NUMERADAS** en el control remoto, de acceso el número de dos dígitos para su VCR o Decodificador de Cable. La tecla se iluminará **5 veces** cuando sea liberada, si el código fue aceptado.

De acceso al Código :
Ejemplo para una VCR Sanyo, de acceso al código "00" (de la carta de códigos).



3 Presione la tecla de Power y las teclas de Channel. Si estas operan de manera adecuada la programación esta completa. Si no es así, use otro código, si este esta disponible y repita los pasos.

Notas :

- Puede haber VCR o Decodificadores de Cable que este control remoto no pueda operar.
- Algunos fabricantes pueden usar diferentes tipos de controles remoto. Si la marca de su equipo, tiene listados varios códigos, repita el pasos 1 y 2 con cada número, hasta que Ud. encuentre el código correcto. Escriba sus códigos en los espacios en la parte posterior de su control remoto y en los siguientes espacios como una rápida referencia.

Para operar su...

VCR—Presione la tecla de **VCR**.

Decodificador de

Cable—Presione la tecla de **CABLE**.

TV—Presione la tecla de **TV**.

Marca de VCR	<input type="text"/>	<input type="text"/>
Código No:	<input type="text"/>	<input type="text"/>
Marca del Decodificador de Cable	<input type="text"/>	<input type="text"/>
Código No:	<input type="text"/>	<input type="text"/>

Cambiando las Baterías

Los números del código de programación, se mantendrán en la memoria por 5 minutos, cuando Ud. cambie las baterías.



Consejos Rápidos

- *Asegúrese que las baterías este instaladas correctamente.*
- *El control remoto no funciona con mi VCR o Decodificador de Cable.*
 - Presione la tecla de **VCR o CABLE**.
 - Reprogramar el control remoto.
- *Tecla de función especial: La tecla de VIDEO MODE funciona como la tecla de TV/VCR en la VCR, cuando el control remoto es ajustado para funcionar con la VCR.*
- *Las teclas de asociadas a un modo, se ilumina cuando Ud. presiona cualquier tecla de operación (canales, volume, etc.) para indicar que equipo se esta controlado.*

MARCA DE VCR	CÓDIGO NO.	MARCA DE VCR	CÓDIGO NO.	MARCA DE DECODIFICADOR DE CABLE	CÓDIGO NO.
ADMIRAL	20,21,27,29,38	ORION.....	13,15	ABC	14,15,16,21,24
AIWA.....	08,22	PANASONIC	16,17,19	GEN. INSTRUMENTS.....	13,14,15,16,17,18,19,20,25
BROKSONIC	20,21	PHILCO	18,19,26	HAMLIN.....	12,26,27,28
CRAIG	02,05,07,31	PHILIPS	18,19,26	JERROLD.....	13,14,15,16,17,18,19,20,25
CURTIS MATHES	19,22,27	PIONEER.....	26,28	MACOM	03
DAEWOO.....	04,37	PROSCAN	03,19,27,33,39,40	MEMOREX	11
EMERSON	06,08,13,14,20,21,22	QUASAR	16,17,19	OAK	02,23,24
FISHER	00,01,02,09,10	RCA.....	03,19,27,33,39,40	PANASONIC	04,05,09
FUNAI	22	REALISTIC	00,05,07,08,19,22,29,31	PARAGON	11
GE	19,27,33,39,40	SAMSUNG.....	04,05,07,31	PIONEER	01,10
GOLDSTAR	08	SANSUI	28,33	RCA	04,05,09
HITACHI	03,22,33,39	SANYO	00,01,02,09,10	REGAL	06,26,27,28
J.C.PENNY	03,05,07,19,31	SCOTT.....	04,20,21	SAMSUNG	01
JVC	11,12,28,33	SEARS.....	00,02,03,08,19	SCI. ATLANTA	06,07,08
KENWOOD	00,28,33	SHARP	29,30	SIGNATURE	14,15,16
MAGNAVOX	18,19,26	SONY	19,23,24,25	SPRUCER	04,05,09
MARTA	08	SYLVANIA	19,32	STARCOM	14,15,16,17,18,19,20
MEMOREX	00,02,05,07,08,19,22,29,31	SYMPHONIC	22	STARGATE	14,15,16,17,18,19,20
MITSUBISHI	32,34,35,36,41,42	TEAC	22,23	TOCOM	21,22
M.WARD	02,03,19,22,29	TOSHIBA.....	04,32,40	TOSHIBA	00,11,17,18,19,20
MTC	05,07,22,31	ZENITH	23,24,38	ZENITH	00,11,17,18,19,20
NEC.....	11,12,28,33				



Consejos Rápidos

- Siga siempre las instrucciones de la pantalla.
- El menú se desplegará por 20 segundos aproximadamente. Presione **MENÚ** nuevamente para desplegarlo.
- La flecha (▶) indica el modo o selección actual.
- Todas las funciones de la TV son controladas a través del menú.
- Par ver la hora del día después de ajustar el reloj, presione la tecla de **DISPLAY**.
- Bajo condiciones de señal estereo débil, Usted puede recibir un sonido de mayor calidad en la posición de "Mono."
- La señal de Servicio Extendido de Información (XDS) puede no ser transmitido por todas las transmisoras.
- Para expandir su experiencia en ver programas, seleccione, **Deporte**, **Cline** (Películas) o **Noticia**, que correspondan a el programa que Ud. esta viendo.
- Use las teclas de **CANALES** (▲/▼) y las teclas de **VOLUMEN** (▶/◀) para navegar a través del menú y para hacer las selecciones de los menus.

AJUSTES DEL TV

El sistema de menú en pantalla permite al usuario programar las funciones del televisor a sus preferencias personales. Los ajustes pueden ser hechos fácilmente con el control remoto y las siguientes instrucciones.

COMO HACER LOS AJUSTES

1. Presione **MENÚ**.
2. Use las teclas de (▲)/(▼) para resaltar la función deseada.
3. Use las teclas de (▶)/(◀) para escoger la opción deseada (▶ indica la opción seleccionada).

Artículos con submenús requiere pasos adicionales.

AJUSTANDO EL RELOJ

1. Presione **MENÚ**.
2. Use las tecla de (▶) para ajustar la hora y tecla de (◀) para ajustar los minutos.
3. Presione la tecla de **MENÚ** para salir.

AJUSTE EL MODO DE AUDIO

Seleccione el sonido deseado; Estéreo (Stereo) Mono or SAP (segundo programa de audio), Estéreo y SAP pueden ser recibidos solamente sí la estación transmisora de televisión esta transmitiendo en estos modos.

1. Seleccione Estéreo (**Stereo**), **Mono** o **SAP** de la opción de **Audio**.
2. Presione la tecla de **MENÚ** para salir.

Nota : La TV se ajustará automáticamente a estéreo, sí esta es desconectada o una falla en el suministro eléctrico ocurre.

AJUSTE DE IMAGEN/SONIDO

Para los ajustes automáticos de Imagen/Sonido :

Seleccione **Deporte**, **Cline** o **Noticia** de las opciones de **Imagen/Sonido**.

(Menú para manual ajuste de imagen/sonido continua en la página 27.)

Botones ▲▼	Botones - +
Reloj	0:00
Audio	▶Stereo Mono SAP
Imagen/Sonido	▶Deporte Cline
	▶Noticia Manual
Canal Inicial	▶NO SI C---
Antena	▶Cable VHF/UHF
Loc. Canales	▶NO Iniciar
Buscar Canales	C 34 Anadido
	▶Español
Menu Lenguaje	English Francais

Use MENU para salirse

Botones ▲▼	Botones - +
Reloj	10:00
Audio	

Botones ▲▼	Botones - +
Reloj	
Audio	▶Stereo Mono SAP

Botones ▲▼	Botones - +
Reloj	
Audio	
Imagen/Sonido	▶Deporte Cline
Canal Inicial	▶Noticia Manual
Antena	
Loc. Canales	
Buscar Canales	
Menu Lenguaje	

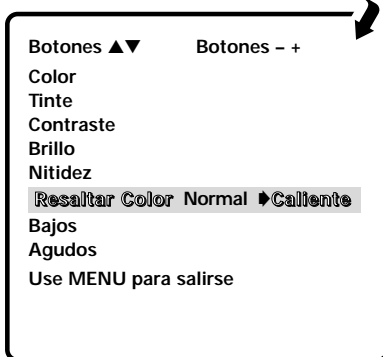
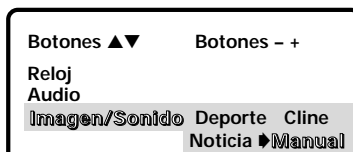
Use MENU para salirse

Para personalizar manualmente la Imagen/Sonido :

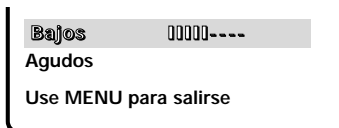
1. Seleccione **Manual** de las opciones de **Imagen/Sonido**.
2. Presione **MENU** para activar los submenús controles.
3. Use las teclas de **▲/▼** para resaltar el control que se quiere ajustar.
4. Use las teclas de **▷/◀** para hacer los ajustes.
5. Presione la tecla de **MENU** para salir.

Para ajuste manual de Sonido :

1. Presione la tecla de **MENU**.
2. Use las teclas de **▲/▼** hasta resaltar **Imagen/Sonido**.
3. Use las teclas de **▷/◀** para seleccionar **Manual**.
4. Presione la tecla de **MENU** para acivar los controles submenus.
5. Use las teclas de **▲/▼** para **Bajos** o **Agudos**.
6. Use las teclas de **▷/◀** para ajuste de sonido.
7. Presione la tecla de **MENU** para salir.



Imagen/Sonido Submenús Controles



Sonido Submenús Controles



Consejos Rápidos

- Use esta función para mejorar el color de la imagen, y el tono de piel. Seleccionando **caliente**, se acentuará el color de la imagen.
- Cuando el Canal Inicial este (APAGADO) NO la TV sintonizará el último canal seleccionado cuando se encienda la TV.
- Presione **RESET** dos veces para eliminar todos los ajustes personalizados y regresar a los ajustes de fábrica.

AJUSTE DE CANAL INICIAL

La TV puede ser programada para sintonizar su canal favorito, cada vez que se encienda, como puede ser un noticiero, cadena de deportes, o la salida de su VCR.

1. Presione la tecla de **MENU**.
2. Use las teclas de **▲/▼** para iluminar **Canal Inicial**.
3. Presione **◀** para activar (SI), Seleccione el número del favoritos canal seleccionado (ejemplo) : **C03**. Para seleccionar canales de Cable arriba de 99, presione y mantenga así la tecla del **1**, hasta **C1--** aparezca.
4. Presione la tecla de **MENU** para salir.





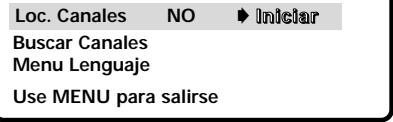
Consejos Rápidos

- Cuando ajuste el modo de Antena, escoja el modo Cable, si su TV esta conectada a un sistema de cable, de otra manera escoja VHF/UHF.
- Canales borrados en la memoria de canales, pueden ser seleccionados con las teclas numeradas.
- El número del canal debe de ser iluminados antes de presionar la tecla de **↻** para agregarlo o borrarlo.
- Para restaurar canales borrados, use el menú en pantalla, manualmente, agregue los canales o inicie la Búsqueda de Canales en el menú.
- Presione **RESET** dos veces para eliminar todos los ajustes personalizados y regresar a los ajustes de fábrica.
- Coloque su televisor al menos a 60 cm de las bocinas de un sistema estéreo. Los magnetos en dichas bocinas pueden afectar la calidad de pureza de la imagen.
- No conecte bocinas externas directamente a la TV.

REAJUSTANDO EL MODO DE ANTENA/CABLE Y BÚSQUEDA DE CANALES

Reajuste el Modo de Antena/Cable o Búsqueda de Canales si es requerido, si tienen canales adicionales, si es que se cambio a otra ciudad o si se ha instalado el servicio de cable.

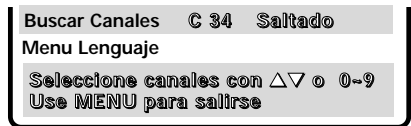
1. Seleccione **Iniciar** del menú de opciones de búsqueda de canales.
2. Presione la tecla de **MENU** para salir.



AGREGANDO O BORRANDO CANALES

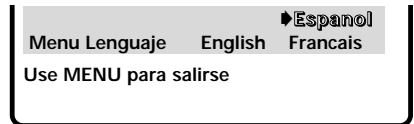
Use las teclas del control remoto para hacer los ajustes.

1. Presione la tecla de **MENU**.
2. Use las teclas de **▲/▼** para iluminar **Buscar Canales**.
3. Presione la tecla de **↻** para iluminar el número del canal en el área de entrada.
4. De entrada al número del canal por ejemplo : **C34**. Para canales de Cable arriba de 99, presione y mantenga así la tecla del **1**, hasta **C1--** aparezca. Entonces entrar en la otra dos números.
5. Presione la tecla **↻** para seleccionar la opción (ejemplo) : **Saltado**.
6. Presione la tecla de **MENU** para salir.



SELECCIONANDO EL DESPLEGADO DE LENGUAJE

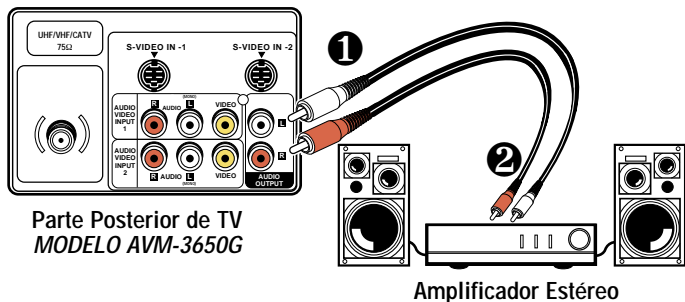
1. Seleccione las opciones de **English (Ingles)**, **Francais (Francés)**, o **Espanol** del **Menu de Lenguaje**.
2. Presione la tecla de **MENU** para salir.



USANDO LA SALIDA DE AUDIO

CONECTE UN AMPLIFICADOR ESTÉREO A LAS SALIDAS DE A/V

1. Conecte la Salida de Audio (R/L) **1** a la entrada del Amplificador Estéreo (R/L) **2**.
2. Presione **POWER** en el control remoto para encender la TV. Además Encienda el equipo externo.



Parte Posterior de TV
MODELO AVM-3650G

Amplificador Estéreo

USANDO LAS ENRADAS DE AUDIO/VIDEO

CONECTANDO UNA VCR O OTROS EQUIPOS EXTERNOS A LA TV

Apague la TV y los equipos externos antes de conectar los cables.

1. Conecte la salidas (R/L) de la VCR, DVD, DSS, o otros equipos' a las entradas de la TV (R/L) ①.

Para VCR monofónicas (una salida de Audio) conecte la salida de la VCR a la entrada (L) de la TV.

2. Conecte la salidas (R/L) de video la VCR, DVD, DSS, o otros equipos' a la entrada de la TV video ②.

Optativo

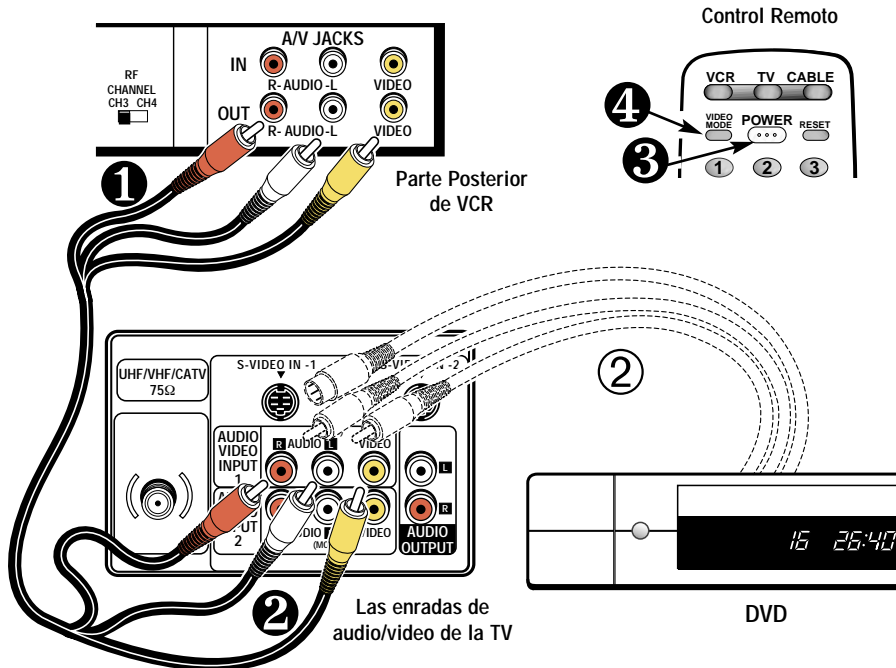
Conecte la salida de S-Video del VCR, DVD, DSS, o otros equipos' a la Entradade S-Video 1 de la TV.

Nota : Usando la entrada de S-Video 1 se cancela la entrada de posterior Video 1 ②.

Para Modelo AVM-3650G solo, usando la entrada de S-Video 2 se cancela la entrada de posterior Video 2 ②.

3. Presione **POWER** para encender la TV. Ver ③. Además Encienda el equipo externo.
4. Presione **VIDEO MODE** ④ para seleccionar la fuente del programa : Señal de TV o señal del equipo que ha sido conectado a las entradas de A/V1 y A/V2. Ver ④ y página 24 para operación de controles.

Siga el mismo procedimiento para conectar otro equipo de video compatible en el segundo juego de entradas de A/V.



Consejos Rápidos

- Asegúrese que todos los conectores de los cables este totalmente asentados en losconectores de entrada.
- Siempre combine los cables de acuerdo a los colores: ROJO para el audio del lado derecho, BLANCO para el audio del lado izquierdo, y AMARILLO para video.
- Las entradas de A/V1 y A/V2 tienen funciones idénticas. Cualquier equipo compatible de Video puede ser conectado en cualquiera de las entradas.
- Una pantalla de color Azul con la palabra Video1 o Video2 desplegada, significa que el modo de video esta seleccionado, pero la señal de video no esta siendo detectada en la entrada de video.
- Asegúrese de seleccionar que el canal de la TV coincida con la salida de la VCR (canal 3 o 4).
- Ud. es capaz de usar el control remoto para operar su VCR, Decodificador de Cable, y TV. (Ver página 25.)



Consejos Rápidos

- Si la función de Transmisión Captada esta activada, y los subtítulos no son transmitidos, un cuadro de color negro puede aparecer y mantenerse así en la pantalla de la TV.



Para eliminar este cuadro de color negro, ajuste la función de subtítulos a cualquier otro modo, como Texto1 o Texto2, o presione la tecla de **RESET**, para cancelar la función de subtítulos y ajustes personalizados.

- Cuando la función de transmisión captada este activada, el desplegado de canales no aparecerá en la pantalla. Para que estos desplegados vuelvan a aparecer en la pantalla, Ud. debe de apagar la función de transmisión captada.

TRANSMISIÓN CAPTADA (Closed-Caption)

La transmisión captada es información de texto transmitida junto con la imagen y el sonido, y que puede ser desplegada en la pantalla de la TV. Debido a los diferentes tipos de subtítulos que pueden ser transmitidos con la señal de TV, existen diferentes modos de transmisión captada que son usados para desplegar subtítulos. Los modos de transmisión captada reconocidos por este modelo son los siguientes : Caption1, Caption2, Texto1 y Texto2. Las transmisoras locales deciden que tipo de señal de transmisión captada es transmitida. Ellos escogen de no proveer subtítulos o proveerlos en uno o todos los modos disponibles.

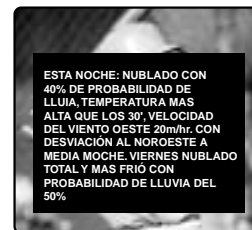
Caption1 : Este es el principal modo usado para subtítular programas (las palabras coinciden con el programa que Ud. esta viendo). La mayoría de las transmisoras usarán Caption1 para transmitir programas subtítulados, Estos subtítulos son generalmente una o dos lineas y aparecen en la parte inferior de la pantalla o cerca de la persona que esta hablando.



Caption1/2

Caption2 : Es un modo alterno para programar subtítulos. Caption2 puede ser usado por las estaciones transmisoras para proveer subtítulos en otro lenguaje, como puede ser Español o Francés.

Texto1 : Es el modo usado para desplegar un gran cantidad de texto. Este texto aparecerá dentro de un fondo negro que casi puede ser tan grande como la pantalla de la TV. El texto desplegado de esta manera no esta relacionado con el programa. Estos subtítulos pueden ser usados por las estaciones transmisoras para proveer de reportes de clima, boletines a la comunidad, cotización de acciones, etc.



Texto1/2

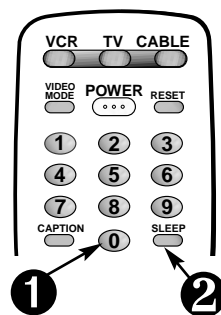
Texto2 : Este es un modo alternativo usado para desplegar una gran cantidad de texto. Es el mismo tipo de información desplegada en Texto1, puede ser desplegada en Texto2. Por ejemplo las estaciones transmisoras pueden escoger de proveer reportes de clima en Texto1, y boletines a la comunidad en Texto2.

Quikcap : Quikcap permite activar y desactivar subtítulos con la función de MUTE. Por ejemplo, el teléfono llama, Ud. presiona la tecla de **MUTE** en el control remoto para desactivar el sonido de la TV, los subtítulos se desplegarán automáticamente. Cuando Ud. termine su conversación, presione **MUTE** nuevamente, para restaurar el sonido, los subtítulos desaparecerán.

Quikcap desplegará programas subtítulados en el modo de Caption1.

AJUSTANDO LA FUNCIÓN DE CAPTION

1. Presione la tecla de **CAPTION** en el control remoto.
2. Use la tecla de **0** para seleccionar, NO, Caption1, Caption2, Texto1, Texto2 o Quikcap.



INFORMACIÓN DE GUÍA-V

NOTA : ESTA FUNCIÓN ESTA DISEÑADA PARA CUMPLIR REGULACIONES DE LA FCC PARA V-CHIP EN LOS ESTADOS UNIDOS DE AMÉRICA, ESTA FUNCIÓN NO PUDIERA ACTIVARSE CON SEÑALES QUE SE ORIGINEN EN OTROS PAISES.

Con la introducción de la tecnología de “V-Chip”, es ahora posible que los televisores Sanyo, puedan interpretar los códigos de clasificación de la MPAA y Ordenamientos de Control Paternal en TV. Cuando estos códigos son detectados, el TV bloqueará, dependiendo de las selecciones hechas en el sistema de V-Guide.



ACERCA DE LOS ORNENAMIENTOS DE CONTROL PATERNAL EN TV Y MPAA

MPAA y los Ordenamientos de control paternal en TV, son sistemas de clasificación que permiten a los padres tener una información avanzada de prevención contra el contenido de una película o programa de televisión.

MPAA es una sistema voluntario de clasificación, usado por la industria cinematográfica. Los Ordenamientos de Control Paternal en TV estan moldeados a la clasificación de la MPAA después que fue diseñada por ser fácil de usar, de entender y de localizar.

El Ordenamiento de Control Paternal en TV esta basado en edad y contenido de información. Esta información da a los padres una manera discreta de escoger el material que va a ser visto por sus hijos.

La clasificación contenida esta representada por iniciales : D (Diálogos Sugestivos), L (Lenguaje para Adultos), S (Contenido Sexual), V (Violencia), y FV (Fantasía Violenta). Cuando la programación contiene cualquiera de estas condiciones, estas iniciales forman parte del ícono que es desplegado en la pantalla de la TV.

Un ícono de clasificación aparecerá en la parte superior izquierda de la TV, por quince segundos al inicio del programa, y debe de repetirse a la segunda hora a lo largo del programa. Este icono además puede aparecer cuando se esta regresando de comerciales. Puede haber otras instancias por lo que se pueden desplegar estos íconos. Los padres estan alentados a familiarizarse con estos íconos y sus significados.

DONDE PUEDO ENCONTRAR INFORMACIÓN ACTUALIZADA ACERCA DE LA CLASIFICACIÓN DE PROGRAMAS

Los editores de guías de programación han sido cuestionados para incluir estas clasificaciones junto con otra información que ellos publican. Ud. puede espera encontrar esta información en, periódicos, revistas, y en listados de guías en pantalla.

TIPOS DE PROGRAMACION QUE RECIBEN CLASIFICACIÓN

Los Ordenamientos de Control Paternal en TV aplicará a varios tipos de programación, incluyendo especiales, mini series y películas. Deportes, noticias, información de clima, boletines de emergencia, y programación originada local mente, anuncios de servicios públicos, anuncios políticos y religiosos, no muestran esta clasificación actualmente.



Consejos Rápidos

- Use las teclas de **CANALES** (▲) / (▼) y las teclas de **VOLUMEN** (▶) / (◀) para navegar a través del menú y para hacer las selecciones de los menus.
- La función de V-Guide es accesible solamente por el control remoto.
- Los lineamientos e íconos de clasificación aparecen en la parte superior izquierda de la pantalla.
- El desplegado de V-Guide se mantendra en pantalla por 20 segundos. Si este desaparece presione la tecla de **V-Guide**.



C 34
10:00

XYZ
Titulo : THE SHOW
Codigo : TVPG-V



Consejos Rápidos

- La TV automáticamente Bloqueará (B) las clasificaciones superiores o No Bloqueará (U) la selección de clasificaciones inferiores. Por ejemplo, si Ud. bloquea la clasificación R, NC17 y X también serán bloqueados. (Ver menú de clasificación de películas de la MPAA.)
- Bloqueando TV-Y7 no bloqueará clasificaciones superiores.
- Ud. puede bloquear una clasificación por contenido como programas TVPG-V y se mantendrá así para ver programas TV-PG con clasificación S-L-D, estipulados en TV-PG como no bloqueados (U).
- Para ver programas Bloqueados (B), deshabilite V-Guide o presione la tecla de RESET dos veces para eliminar todas las clasificaciones Bloqueadas (B).
- Cuando en el sistema de menú de V-Guide, las teclas de D/← le permiten a Ud. navegar entre las clasificaciones y el menú de opciones.

OPERACION DE GUÍA-V

Esta es una función que le permite supervisar los programas de televisión que son vistos por los niños. Esta televisor puede ser ajustado para bloquear automáticamente programas que a su juicio no son apropiados para ser vistos por niños que incluyen diálogos sugestivos, lenguaje para adultos, situaciones sexuales, violencia, y violencia fantástica.

La capacidad de la televisión para bloquear la recepción sobre el contenido de programación específica, depende de varias condiciones : 1) El programa debe de ser clasificado, 2) Las cadenas transmisoras debe transmitir información sobre el código de clasificación, 3) Las compañías de Cable deben de transmitir la señal con el código de clasificación y 4) La TV debe de esta ajustada para decodificar la señal.

Los lineamientos y los íconos de clasificación aparecerán en la esquina superior izquierda de la pantalla de la TV.

AJUSTE DE LA CLASIFICACIÓN DE PELÍCULAS

1. Presione la tecla de **V-GUIDE** en el control remoto para desplegar el menú.
2. Presione la tecla **←** para cambiar a V-Guide **SI**.
3. Presione la tecla **←** nuevamente. Use las teclas de **▲/▼** para iluminar las clasificaciones.
4. Presione la tecla de **MENU** para BLOQUEAR (B) o NO BLOQUEAR (U) la clasificación seleccionada. (Flecha **→** indica el artículo seleccionado.)
5. Presione la tecla de **D** para regresar a las opciones del menú de Guía-V.

Guia-V

X	B
NC17	B
R	B
PG13	U
PG	U
G	U

MPAA Selección Peliculas →

TV Supervision Paternal

Use MENU para BLOQUEAR
Use ▲▼, - + para seleccion
Use V-GUIDE para salirse

AJUSTANDO LOS ORDENAMIENTOS PATERNALES DE TV BASADOS EN LA EDAD

6. Use las teclas de **▲/▼** hasta que se ilumine **TV Supervision Paternal**.
7. Presione la tecla de **←**. Entonces use las teclas de **▲/▼** hasta iluminar las clasificaciones.
8. Presione la tecla de **MENU** para BLOQUEAR (B) o para NO BLOQUEAR (U) una clasificación seleccionada. (Flecha **→** indica el artículo seleccionado.)

Guia-V

TVMA	B
TV14	B
TVPG	B
TV-G	B
TVY7	U
TV-Y	U
Content	

MPAA Selección Peliculas →

TV Supervision Paternal

Use MENU para BLOQUEAR
Use ▲▼, - + para seleccion
Use V-GUIDE para salirse

AJUSTANDO LOS ORDENAMIENTOS DE CONTROL PATERNAL EN TV BASADOS EN CONTENIDO

9. Siga los pasos 6 y 7. Use **▲/▼** hasta iluminar **Content**.

Guia-V

TVMA	B
TV14	B
TVPG	B
TV-G	B
TVY7	U
TV-Y	U
→ Content	

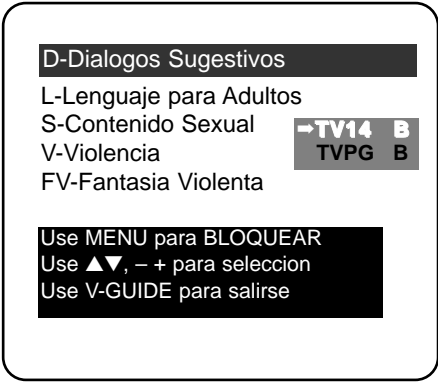
MPAA Selección Peliculas

TV Supervision Paternal

Use MENU para ajuste
Use ▲▼, - + para seleccion
Use V-GUIDE para salirse

(Continúa en la página 33.)

10. Presione la tecla de **MENU** para desplegar el menú Content Option.
11. Use las teclas de **▲/▼** hasta iluminar categorías (D-Diálogos Sugestivos, L-Lenguaje para Adultos, S-Contenido Sexual, V-Violencia, FV-Fantasia Violenta.)
12. Presione la tecla de **↵**. Entonces use las teclas de **▲/▼** hasta iluminar una clasificación.
13. Presione la tecla de **MENU** para BLOQUEAR (B) o NO BLOQUEAR (U) la clasificación seleccionada. (Flecha **➡** indica el artículo seleccionado.)
14. Presione la tecla de **V-GUIDE** para salirse; o presione la tecla de **⏪** para retornar al menú de Content Options.
15. Repita los pasos del número 11 hasta el 13 para BLOQUEAR (B) o NO BLOQUEADOS (U) clasificación de contenidos, si se desea.



APAGANDO V-GUIDE

1. Presione la tecla de **V-GUIDE**.
2. Use las teclas de **⏪/⏩** hasta seleccionar apagado (NO).

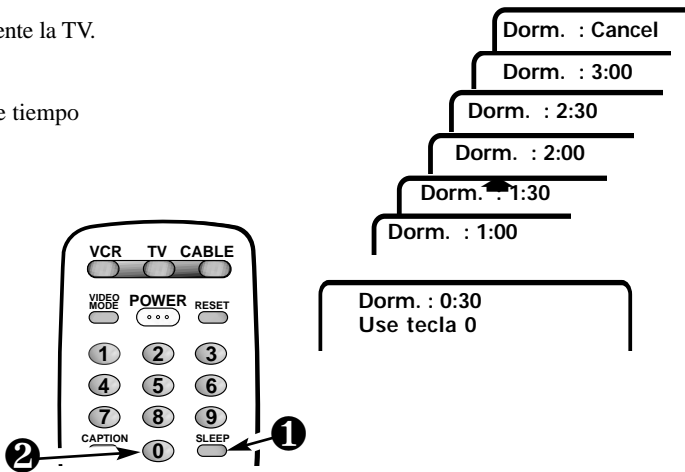
Nota : Las cadenas transmisoras y las estaciones locales, pueden no incluir las porciones de contenido de clasificación de los Ordenamientos del control de TV Paternal.

AJUSTANDO EL CRONÓMETRO PARA DORMIR

El cronómetro para dormir apagará automáticamente la TV.

1. Presione la tecla de **SLEEP**.
2. Use la tecla **0** para seleccionar la cantidad de tiempo deseado (de 30 minutos hasta 3 horas).

Nota : El cronómetro para dormir se cancela cuando la TV se apaga o ocurren fallas en el suministro eléctrico.

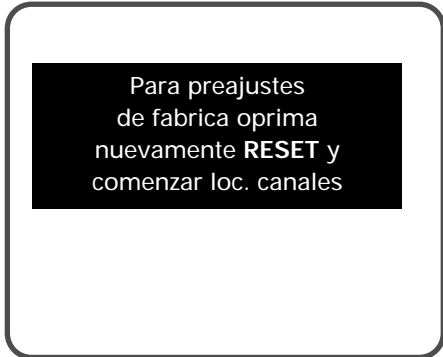


REAJUSTANDO LA TV

Presione la tecla de **RESET**, para reajustar automáticamente la televisión a los ajustes de fábrica. Estas funciones se reajustarán automáticamente :

- Se reajusta imagen/sonido : Color, Tinte, Contraste, Brillo, Nitidez, Resaltar Color, Bajos, y Agudos
- Se restablecen los Canales en Memoria
- Se ajusta el Audio a Estéreo
- Se desactiva la función de Canal Inicial
- Se desactiva la función Subtítulos
- Se desactiva la función de Guía-V
- Se cambia el lenguaje a Inglés
- Reloj y Cronometro para Dormir (Si fue previamente ajustado)

Si quiere personalizar los ajustes, estos pueden ser hechos nuevamente usando el menú de opciones.



CUIDADOS Y LIMPIEZA

La superficie del gabinete puede ser dañada si no recibe un apropiado mantenimiento. Varios productos usados en el hogar como aerosoles, agentes de limpieza, solventes y ceras pueden causar daños en el terminado de la superficie del gabinete.

1. Desconecte el cordón de Potencia antes de limpiar el televisor.

2. Limpie la pantalla y gabinete con un paño limpio y suave.

Nota : **Nunca** aplique líquidos en aerosol en la pantalla, este puede escurrirse y gotear dentro del chasis. Este puede causar fallas en los componentes no cubiertos por la garantía.



SUGERENCIAS ÚTILES - PROBLEMAS/SOLUCIONES

ANTES DE REQUERIR SERVICIO VERIFIQUE LA SIGUIENTE TABLA.

Problema:	Confirme las Siguietes Condiciones:	Trate estas Soluciones:
El TV se apaga automáticamente.	<ul style="list-style-type: none">• Cheque la conexión de señal (Cable / Antena).• Función de protección contra fallas de suministro de energía.	<ul style="list-style-type: none">• Presione la tecla de POWER.• Cronómetro de Tiempo para dormir ha sido activado.• Desenchufe el TV por un momento.
No imagen o imagen pobre.	<ul style="list-style-type: none">• Cheque la conexión de antena.• La difusora de TV puede tener problemas.• Brillo y contraste mal ajustado.• Posible interferencia por electro-domésticos.	<ul style="list-style-type: none">• Ajuste la antena.• Trate un canal diferente.• Seleccione la función de Auto del menu en pantalla de Imagen para reajustar.

SUGERENCIAS ÚTILES - PROBLEMAS/SOLUCIONES

ANTES DE REQUERIR SERVICIO VERIFIQUE LA SIGUIENTE TABLA.

Problema:	Confirme las Sigüientes Condiciones:	Trate estas Soluciones:
Un Cuadro negro en la pantalla.	<ul style="list-style-type: none"> • Caption Modo Texto sin información en la pantalla. 	<ul style="list-style-type: none"> • Presione la tecla de RESET. • Seleccione NO "Captions" (vea página 30).
Color pobre o no color.	<ul style="list-style-type: none"> • Cheque que el programa sea en Color. • Cheque la conexión de la antena. • Color y tinte mal ajustado. • La difusora de TV puede tener problemas. 	<ul style="list-style-type: none"> • Trate un canal diferente. • Ajuste la antena. • Presione la tecla de RESET.
Imagen Azul con función de Video1 o Video2 desplegado.	<ul style="list-style-type: none"> • Cheque las conexiones de A/V. • Cheque equipo externo. 	<ul style="list-style-type: none"> • Presione la tecla de VIDEO MODE (MODO VIDEO). • Encendiendo la equipo externo.
No sonido o sonido pobre.	<ul style="list-style-type: none"> • La difusora de TV puede tener problemas. • Posible activación de la función de enmudecimiento. 	<ul style="list-style-type: none"> • Trate un canal diferente. • Ajuste el Volumen.
No sonido estereofónico.	<ul style="list-style-type: none"> • Cheque si la estación está transmitiendo con verdadera señal estereofónica. 	<ul style="list-style-type: none"> • Seleccione Stereo del menú en pantalla Audio.
No sonido SAP.	<ul style="list-style-type: none"> • Cheque si la estación está transmitiendo con verdadera señal SAP. 	<ul style="list-style-type: none"> • Seleccione SAP del menú en pantalla Audio.
No canales de Cable o canales arriba del número 13.	<ul style="list-style-type: none"> • El indicador de cable C debe de aparecer junto al número del canal. 	<ul style="list-style-type: none"> • Seleccione Cable del menú en pantalla Antena: entonces inicialize la búsqueda de canales (CH. Search) usando el menú.
No canales de UHF, VHF OK.	<ul style="list-style-type: none"> • El indicador de Cable C no deberá de aparecer junto al número del canal. 	<ul style="list-style-type: none"> • Seleccione VHF/UHF del menú en pantalla Antena: entonces inicie la búsqueda de canales (CH. Search) usando el menú.
No puede registrar o seleccionar algunos canales.	<ul style="list-style-type: none"> • El canal puede estar eliminado en la memoria. • Cheque la conexión de antena. • V-Guide esta programado para bloquear is programación (vea páginas 32 y 33). 	<ul style="list-style-type: none"> • Seleccione en la función de Buscar Canales en Memoria y agregar los canales manualmente, o inicialize la función de Buscar Canales usando el menú. • Presione la tecla de RESET para eliminar todos los ajustes. • Desphabilite-Guide, o presione la tecla de RESET.
No Transmisión Captada.	<ul style="list-style-type: none"> • Cheque que la difusora transmita la señal de Transmisión Captada. • Cheque la transmisión captada en el canal. 	<ul style="list-style-type: none"> • Seleccione Caption1 o Caption2 (vea página 30).
Palabras mal deletreadas en el Sistema de Menú.	<ul style="list-style-type: none"> • Posiblemente una lenjuaje extranjero este seleccionado. 	<ul style="list-style-type: none"> • Reseleccione el lenguaje de su menú, usando el menú en pantalla.
El Control Remoto no funciona.	<ul style="list-style-type: none"> • Cheque las pilas. • Cheque que la TV este conectada. • Presione la tecla de TV. 	<ul style="list-style-type: none"> • Reemplace las pilas. • Coloque el control remoto frente al TV.
El Control Remoto no el VCR o la Caja de Cable.	<ul style="list-style-type: none"> • Presione las teclas de VCR o CABLE. • Cheque equipo externo. 	<ul style="list-style-type: none"> • Re-instale el Código de Marca (vea página 25).
El gabinete puede hacer sonidos.	<ul style="list-style-type: none"> • Está condición es normal durante el calentamiento y enfriamiento de las partes de plástico del gabinete. 	



U.L. Este simbolo significa que este producto esta listado por Underwriters' Laboratories Inc. Está diseñado y manufacturado para cumplir con los estrictos estandares de UL. Contra riesgos de incendio, accidentes y riesgos eléctricos.

Garantía Limitada en el Televisor SANYO

OBLIGACIONES

Para obtener el servicio de garantía, un televisor con un tamaño de 13"- 27" (medidos diagonalmente) debe de ser enviado y recogido de un Centro de Servicio autorizado SANYO, con cargo al usuario, al menos que se especifique de otra manera en esta garantía.

Para televisores mayores de 32" (medidos diagonalmente), se encuentra disponible el servicio en casa.

ESTA GARANTÍA ES VÁLIDA SOLO EN PRODUCTOS SANYO COMPRADOS Y USADOS EN LOS ESTADOS UNIDOS DE AMÉRICA, EXCLUYENDO TODOS LOS TERRITORIOS Y PROTECTORADOS. ESTA GARANTÍA APLICA SOLAMENTE AL COMPRADOR ORIGINAL EN DETALLE, Y NO APLICA A PRODUCTOS USADOS PARA CUALQUIER PROPÓSITO INDUSTRIAL, PROFESIONAL O COMERCIAL. LA FACTURA O RECIBO DE COMPRA DEBE DE SER SOMETIDO A LA AUTORIZACIÓN DEL CENTRO DE SERVICIO SANYO, EN EL PERIODO DEL SERVICIO DE GARANTÍA REQUERIDO.

El nombre y la dirección de los Centros de Servicio Sanyo, se pueden obtener llamando a los siguientes números sin costo.

INFORMACIÓN AL CLIENTE (Manejo de producto, referencias para centros de servicio autorizado, asistencia de servicios, o solución de problemas)	INFORMACIÓN PARA ADQUISICIÓN DE PARTES (Accesorios y partes no disponibles de un distribuidor autorizado)
1-800-877-5032 Días Hábiles 7:30 A.M ~ 4:00 P.M. (Horario del Centro)	1-800-726-9662 Días Hábiles 8:30 A.M ~ 5:00 P.M. (Horario del Pacífico)

Sujeto a las OBLIGACIONES listadas anteriormente las EXCEPCIONES Y CONDICIONES se listan a continuación. SANYO MANUFACTURING CORPORATION (SMC) garantiza este producto SANYO contra defectos en materiales y mano de obra, por los periodos de MANO DE OBRA y PARTES, especificados a continuación. SMC reparará o reemplazará (a su opción) dentro de un tiempo razonable, el producto o cualquiera de sus partes que pudieran fallar conforme a esta garantía. Reparación o reemplazo del producto, o de sus partes que deberán ser exclusivas en reparaciones disponibles para el usuario. El usuario es responsable por todo los otros costos. Estos costos pueden incluir, pero no limitados a todos los costos incidentalmente incurridos a la instalación del producto reparado. El periodo de garantía comienza en la fecha que el producto fue comprado al distribuidor por primera vez.

MANO DE OBRA	PARTES	TUBO DE IMAGEN
90 Días	1 Año	2 Años

EXCLUSIONES Y CONDICIONES

Esta garantía no cubre (A) Los ajustes inapropiados en controles operados por el cliente, y que están explicados de manera apropiada en el manual de instrucciones para este modelo, o (B) la reparación de cualquier producto cuyo número de serie ha sido alterado, dañado o borrado.

Esta garantía no aplica al gabinete, partes cosméticas, antenas, perillas, baterías o quemaduras en el tubo de imagen o proyección, causadas por equipos electrónicos o juegos de vídeo.

Esta garantía no aplica al desempaque, ajuste, instalación, movimientos en producto para reparación, o reinstalación del producto después de la reparación.

Esta garantía no aplica a las reparaciones o reemplazos requeridos por cualquier causa más allá del control de SMC, incluyendo, pero no limitado, a cualquier mal funcionamiento, defecto, o falla causada por, o, el resultado por un servicio o partes no autorizadas, mantenimiento no apropiado, una operación contraria a las instrucciones proporcionadas, accidentes por tráfico o envío, modificaciones o reparaciones hechas por el usuario, abuso, mal uso, negligencia, accidente, líneas de voltaje no apropiadas, fuego, inundaciones, u otros Casos de Fuerza Mayor, o de uso cotidiano.

En lugar de otras garantías expresadas con respecto de la televisión, o a la instalación, operación, reparación, de la televisión, SMC no será responsable por la perdida en el uso de la unidad, inconveniencia, perdida o daño de la propiedad personal, si directamente o indirectamente pueden surgir en el contrato.

LA DURACIÓN DE CUALQUIER GARANTÍA, PUEDE ESTAR IMPLÍCITA POR LA LEY (INCLUYENDO LA GARANTÍAS DE APTITUDES MERCANTILES) ES LIMITADA A EL TERMINO DE ESTA GARANTÍA. SMC NO ACONTECERA SER RESPONSABLE, POR DAÑOS INCIDENTALES O EN CONSECUENCIAS SURGIDAS POR LA PROPIEDAD O USO DE ESTE PRODUCTO, O POR LA DEMORA EN EL CUMPLIMIENTO DE LAS OBLIGACIONES BAJO ESTA GARANTÍA, DEBIDO A CAUSAS FUERA DE SU CONTROL. ALGUNOS ESTADOS NO PERMITEN LIMITACIÓN DE QUE TAN PROLONGADA, E IMPLÍCITA ES LA DURACIÓN DE LA GARANTÍA, Y NO PERMITE LA EXCLUSIÓN O LIMITACIÓN DE DAÑOS CONSECUTENTES, LAS ANTERIORES LIMITACIONES Y EXCLUSIONES NO PUEDAN APLICAR A UD.

ESTA GARANTÍA LE DA DERECHOS LEGALES ESPECIFICOS. UD. PUEDE TENER OTROS DERECHOS, LOS CUALES PUEDEN VARIAR DE ESTADO A ESTADO.

Para su protección en cualquier evento de robo o perdida de este producto, llene por favor la información requerida a continuación, y MANTÉNGALA en un lugar seguro, en sus registros personales.

No. de Modelo _____ No. de Serie _____
(Localizado en la tapa de la unidad)

Fecha de Compra _____ Precio de Compra _____

Lugar de Compra _____

SANYO MANUFACTURING CORPORATION
 3333 Sanyo Road
 Forrest City, AR 72335

Free Manuals Download Website

<http://myh66.com>

<http://usermanuals.us>

<http://www.somanuals.com>

<http://www.4manuals.cc>

<http://www.manual-lib.com>

<http://www.404manual.com>

<http://www.luxmanual.com>

<http://aubethermostatmanual.com>

Golf course search by state

<http://golfingnear.com>

Email search by domain

<http://emailbydomain.com>

Auto manuals search

<http://auto.somanuals.com>

TV manuals search

<http://tv.somanuals.com>