



Model Nos.: **DP26647**
DP32647

LCD HDTV
Owner's Manual
ENGLISH
Table of Contents 3

Need assistance?
Visit our Web site at
www.sanyoctv.com
or call toll free
1-800-877-5032
We can Help!



CAUTION

RISK OF ELECTRIC SHOCK DO NOT OPEN

CAUTION: TO REDUCE THE RISK OF ELECTRIC SHOCK, DO NOT REMOVE COVER (OR BACK). NO USER-SERVICEABLE PARTS INSIDE. REFER SERVICING TO QUALIFIED SERVICE PERSONNEL.

THIS SYMBOL INDICATES THAT DANGEROUS VOLTAGE CONSTITUTING A RISK OF ELECTRIC SHOCK IS PRESENT WITHIN THIS UNIT.



THIS SYMBOL INDICATES THAT THERE ARE IMPORTANT OPERATING AND MAINTENANCE INSTRUCTIONS IN THE LITERATURE ACCOMPANYING THIS UNIT.



WARNING: TO REDUCE THE RISK OF FIRE OR ELECTRIC SHOCK, DO NOT EXPOSE THIS APPLIANCE TO RAIN OR MOISTURE.

IMPORTANT SAFETY INSTRUCTIONS

Important Safety Instructions for LCD DTV

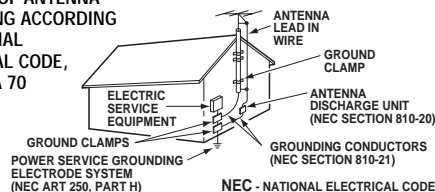
1. Read these instructions.
2. Keep these instructions.
3. Heed all warnings.
4. Follow all instructions.
5. Do not use this apparatus near water.
6. Clean only with dry cloth.
7. Do not block any ventilation openings. Install in accordance with the manufacturer's instructions.
8. Do not install near any heat sources such as radiators, heat registers, stoves, or other apparatus (including amplifiers) that produce heat.
9. Do not defeat the safety purpose of the polarized or grounding-type plug. A polarized plug has two blades with one wider than the other. A grounding-type plug has two blades and a third grounding prong. The wide blade or the third prong are provided for your safety. If the provided plug does not fit fully into your outlet, consult an electrician for replacement of the obsolete outlet.
10. Protect the power cord from being walked on or pinched particularly at plugs, convenience receptacles, and the point where they exit from the apparatus.
11. Only use attachments/accessories specified by the manufacturer.
12. Use only with the cart, stand, tripod, bracket, or table specified by the manufacturer, or sold with the apparatus. When a cart is used, use caution when moving the cart/apparatus combination to avoid injury from tip-over.
13. Unplug this apparatus during lightning storms or when unused for long periods of time.
14. Refer all servicing to qualified service personnel. Servicing is required when the apparatus has been damaged in any way, such as power-supply cord or plug is damaged, liquid



has been spilled or objects have fallen into the apparatus, the apparatus has been exposed to rain or moisture, does not operate normally, or has been dropped.

15. If an outside antenna is connected to the television equipment, be sure the antenna system is grounded so as to provide some protection against voltage surges and built up static charges. In the U.S. Selection 810-21 of the National Electrical Code provides information with respect to proper grounding of the mast and supporting structure, grounding of the lead-in wire to an antenna discharge unit, size of grounding conductors, location of antenna discharge unit, connection to grounding electrodes, and requirements for the grounding electrodes.
16. An outside antenna system should not be located in the vicinity of overhead power lines or other electrical light or power circuits, or where it can fall into such power lines or circuits. When installing an outside antenna system, extreme care should be taken to keep from touching such power lines or circuits as contact with them might be fatal.

EXAMPLE OF ANTENNA GROUNDING ACCORDING TO NATIONAL ELECTRICAL CODE, ANSI/NFPA 70



*Note to CATV system installer:

This reminder is provided to call the CATV system installer's attention to Article 820-40 of the NEC that provides guidelines for proper grounding and, in particular, specifies that the cable ground shall be connected to the grounding system of the building, as close to the point of cable entry as practical.*

17. Wall or Ceiling Mounting—The product should be mounted to a wall or ceiling only as recommended by the manufacturer
18. "Apparatus shall not be exposed to dripping or splashing and no objects filled with liquids, such as vases, shall be placed on the apparatus."
19. When the MAINS plug is used as the disconnect device, the disconnect device shall remain readily operable.

2

Need help? Visit our Web site at www.sanyoctv.com or Call 1-800-877-5032

Welcome to the World of Sanyo

Thank you for purchasing this Sanyo LCD High-Definition Digital Television. You made an excellent choice for Performance, Reliability, Features, Value, and Styling. If assistance is needed, please call **1-800-877-5032** or visit our website at **www.sanyoctv.com**. **We can help!**

CONTENTS

IMPORTANT SAFETY INSTRUCTIONS	2	ANALOG AV CONNECTIONS	9
CONTENT	3	Stereo Amplifier	9
SPECIFICATIONS	4	VCR (or other analog device)	9
POSITIONING THE LCD DTV	4	Connect Analog Cable Box or Cable, VCR, and an Antenna	10
PROTECTING THE LCD SCREEN	4	REMOTE CONTROL OPERATION	11
REMOVING THE DTV STAND (OPTIONAL)	4	MENU OPERATION	12 ~ 14
WALL MOUNTING (OPTIONAL)	4	How to Operate the On-Screen Menu	12
GETTING STARTED (REQUIRED INITIAL SETUP)	5	Menu Navigation Map	12
Installing Batteries in the Remote Control	5	Menu Options:	
Connect Signal (Digital / Analog)	5	All Channel Search	12
Plug in & Power the TV	5	Analog Antenna Signal (Optional)	12
Perform All Channel Search	5	Picture/Sound Adjustment	12
HDTV BACK LEFT / RIGHT SIDE PANELS	6	Menu Language	12
DIGITAL AV CONNECTIONS	7 ~ 8	Digital Cable Search (Optional)	13
HDMI CONNECTIONS	7	Digital Add-On Search	13
HD DVD Player / Game System	7	Channel Scan Memory	13
Set-top Box (STB) with DVI Output	7	Digital Caption	14
COMPONENT JACKS CONNECTIONS		Energy (Power) Saver	14
HD DVD Player	8	V-Guide (Parental Control)	15
DIGITAL AUDIO OUT CONNECTION		HELPFUL HINTS (PROBLEMS / SOLUTIONS)	16
Multichannel Receiver	8	WARRANTY	17

TRADEMARKS INFORMATION:

Manufactured under license from Dolby Laboratories.
"Dolby" is a trademark of Dolby Laboratories.

VIZON® with a double "Z" is a registered trademark of Sanyo Manufacturing Corporation.



"As an ENERGY STAR® Partner, Sanyo Manufacturing Corporation has determined that this product meets the ENERGY STAR® guidelines for energy efficiency."



This symbol on the nameplate means the product is Listed by Underwriters' Laboratories Inc. It is designed and manufactured to meet rigid U.L. safety standards against risk of fire, casualty and electrical hazards.

FREQUENT ASKED QUESTION (FAQ)

The picture is not as clear as it should be. Am I using the best quality connection?

Picture quality is classified as follows:

RF Cable connection (analog)	Basic
Video1 (Composite-Yellow)	Good
Video1 (S-Video)	Better
Video2 & 3 (Component: green, blue, red)	Exceptional
HDMI1 / 2 or Antenna In (Digital)	Ultimate

Need help? Visit our Web site at **www.sanyoctv.com** or Call **1-800-877-5032**

SPECIFICATIONS

Power Requirement: Source: AC 120V, 60Hz

AC Power Consumption (average): DP26647: 104 watts
DP32647: 155 watts

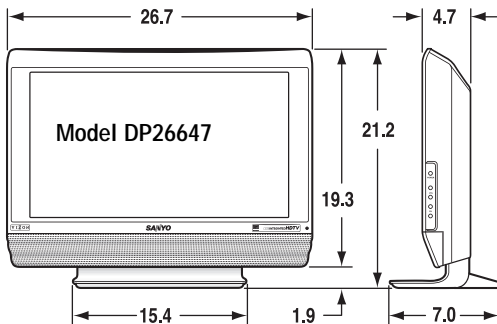
CAUTION: FCC Regulations state that improper modifications or unauthorized changes to this unit may void the user's authority to operate the unit.

! HANDLING PRECAUTIONS

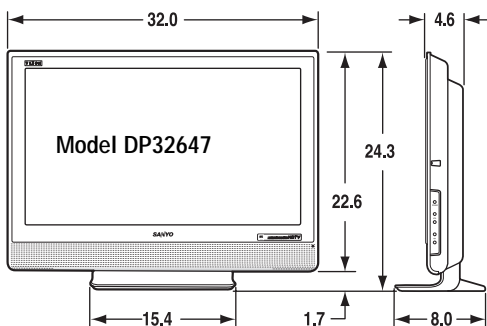
- Handle by the cabinet only. Never touch the screen when handling.
- Excessive pressure on the screen can cause permanent discoloration or dark spots.
- Handling damage is **not** covered under warranty.

POSITIONING THE LCD DTV

Always use an appropriate table or stand when positioning your DTV. **Do not position the DTV in a confined area. Allow adequate space for proper ventilation.**



NOTE: All dimensions are in inches.



PROTECTING THE LCD DTV SCREEN

The screen is likely to be damaged if it is not maintained properly. Do not use hard objects such as hard cloth or paper. Do not use excessive pressure when cleaning the screen; excessive pressure can cause permanent discoloration or dark spots.

NEVER spray liquids on the screen.



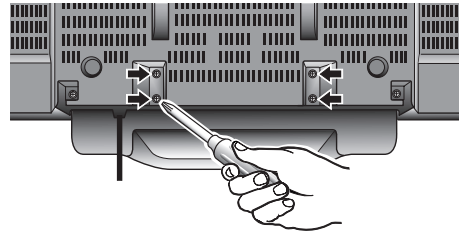
REMOVING THE DTV STAND (Optional)

Tools Needed: Phillips screwdriver

Important Note: Place DTV face down on a padded or cushioned surface to protect the screen and finish.

1 Remove four (4) screws from the metal bracket. **CAUTION:** Hold the stand firmly as you remove the last screw.

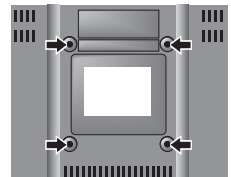
2 Carefully remove the DTV stand.



WALL MOUNTING (Optional)

Use the threaded inserts on the back of your DTV to secure it using a wall mounting kit. VESA standard interface:
DP26647: 100 x 100
DP32647: 200 x 200

Note: Wall Mounting kit is not supplied.



DTV Back View

Mounting screws measurements:

DP26647—M4 Diameter, Length—10mm (maximum).
DP32647—M6 Diameter, Length—12mm (maximum).

4 *Need help?* Visit our Web site at www.sanyoctv.com or Call 1-800-877-5032

GETTING STARTED (REQUIRED INITIAL SETUP)

- 1 Install batteries in remote control (2AAA, not included).



PRECAUTIONS

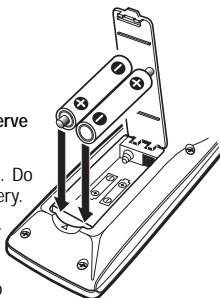
To ensure safe operation, please observe the following precautions:

Replace both batteries at the same time. Do not use a new battery with a used battery.

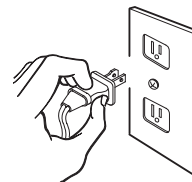
Risk of explosion, if battery is replaced by an incorrect type.

Do not expose the Remote Control Unit to moisture or heat.

Match the "+" and "-" signs on the batteries with marks inside the remote control.



- 3 Plug in AC power cord (120V AC, 60 Hz).



To 120 V AC outlet.

- 4 Press the **POWER** key. (Follow on-screen instructions.)

- 5 Perform "All Channel Search." The All Channel Search will search for off-air digital and analog channels, and analog cable channels. The DTV can receive cable or off-air channels, but not at the same time. *If after two searches the DTV still fails to detect any channels, the DTV will tune to Video1.*

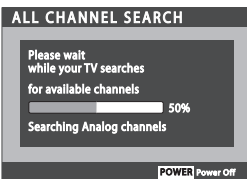
INITIAL ON-SCREEN ALL CHANNEL SEARCH

First

Please connect all signals and antennas to jacks and terminals on the back of the TV.

Then press the Channel UP key.
Press EXIT key to cancel setup

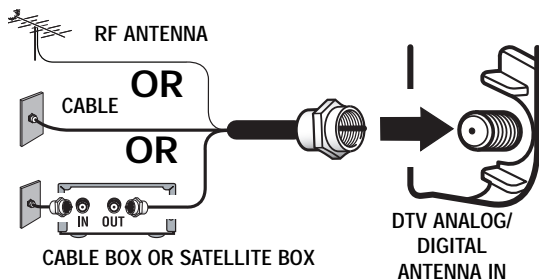
ANALOG CHANNELS



DIGITAL CHANNELS



- 2 Connect Signal to the DTV's Integrated Analog / Digital 75 ohm Antenna Input terminal.



THE TUNER IN THIS DTV CAN RECEIVE:

1. Digital and /or Analog Off-Air Signals from an RF antenna.

OR

2. Analog or ClearQAM cable channels.

Note: You must search for ClearQAM channels using the "Digital Cable Search" menu option.

OR

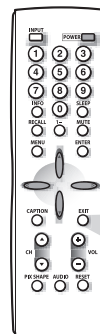
3. The output from a VCR or cable box.

Digital signals can also be received through the HDMI jacks.

Digital signals from a Set-top (STB) Box should be received through the Video 1, 2, or 3, or HDMI Input1 or 2 jacks.

This DTV can receive ANY unscrambled RF signal being broadcast.

Note: If **EXIT** is pressed, the DTV will skip Channel Search and tune to Video1 without storing any channels in the Channel Map databases.

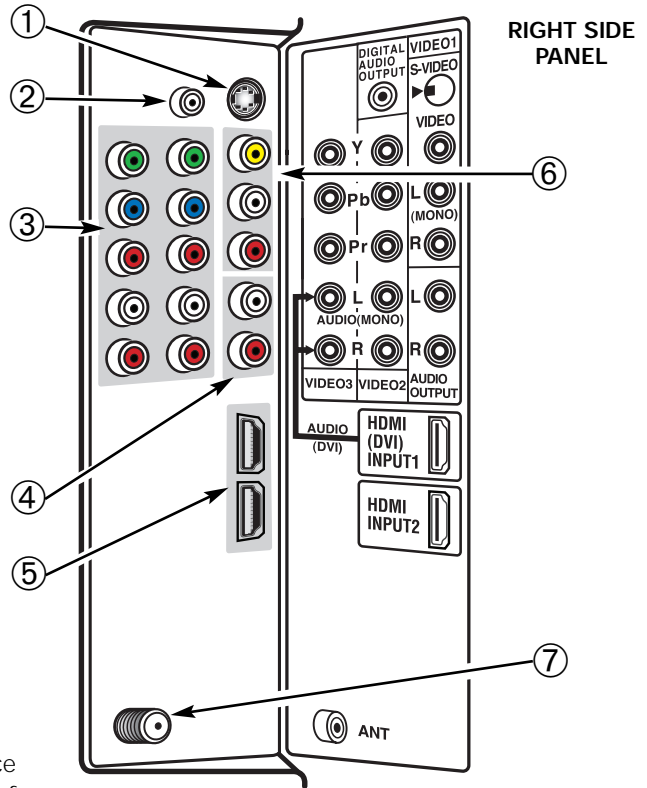
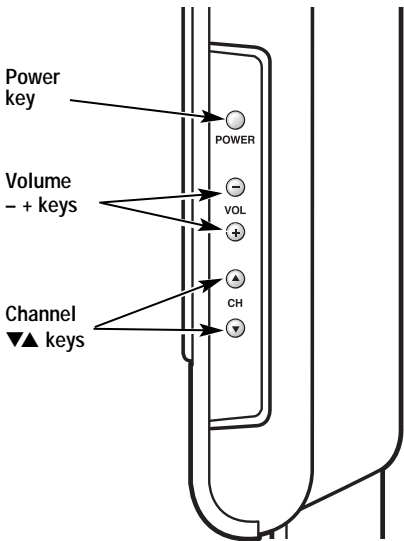


EXIT

Need help? Visit our Web site at www.sanyoctv.com or Call 1-800-877-5032

BACK LEFT/RIGHT SIDE PANELS

LEFT SIDE PANEL (see item 8 on page 11)



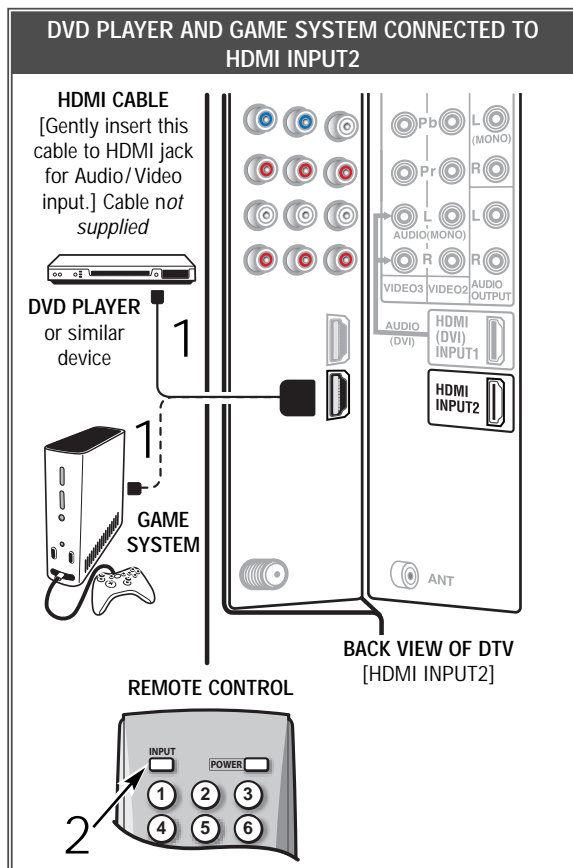
- ① **S-Video Input (VIDEO1), PAGE 9**—To enhance video detail use the S-Video jack instead of the Video jack, if available on your external equipment. (S-Video connection will override a connection to the Video input jack [VIDEO1].)
- ② **Digital Audio Output, PAGE 8**—Use a Phono-Type (Coaxial) Digital Audio Out Cable to connect Digital Audio Output to an advanced stereo home theater system equipped with Dolby® Digital 5.1.
- ③ **Component Video Input (VIDEO2 or VIDEO3), PAGE 8**—Connect digital video equipment to the Y (green), Pb (blue), Pr (red) and Audio L/R jacks. These jacks will automatically detect the type of signal being received.
- ④ **Analog Audio Out (L/R) Jacks, PAGE 9**—Connect external audio equipment here
- ⑤ **HDMI INPUT1/2 (High-Definition Multimedia Interface), PAGE 7**—Connect digital video equipment to this jack. It takes only one high-bandwidth cable (not supplied) to communicate between audio/video equipment and this DTV. HDMI (DVI) INPUT1 jack is compatible with DVI equipped AV devices. (Separate audio connection and an adapter are required for DVI device.)
- ⑥ **Audio/Video Input (VIDEO1), PAGES 9 - 10**—Connect analog video equipment here.
Note: S-Video connection overrides the (Video1) composite video connection.
- ⑦ **Analog / Digital Antenna Input, PAGE 5**—Connect an RF antenna or Analog Cable system to this jack.

6 *Need help?* Visit our Web site at www.sanyoctv.com or Call 1-800-877-5032

DIGITAL AV CONNECTIONS—Receiving the Ultimate Picture

HDMI INPUT2 JACK CONNECTIONS (INCLUDES HDCP COPY PROTECTION)

- 1 Connect the external equipment's high bandwidth HDMI Output to a DTV HDMI Input.
- 2 Press **INPUT** to select *HDMI 2* to view the digital program.



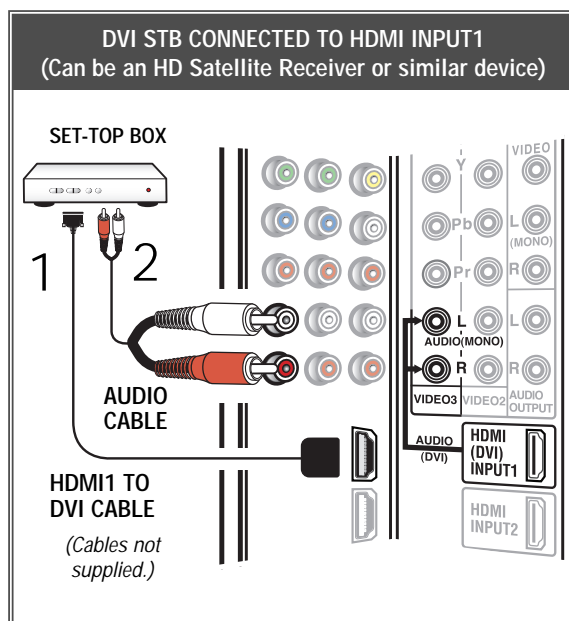
DVI TO HDMI INPUT1 JACK CONNECTIONS (INCLUDES HDCP COPY PROTECTION)

- 1 Connect the Set-top Box (STB) DVI Output to the DTV's HDMI INPUT1.

Note: Check with your local electronics store for a DVI to HDMI Adapter Cable that matches your equipment and the DTV.

- 2 Connect the STB Audio out to the DTV's VIDEO3 Audio In L/R.
- 3 Press **INPUT** to select *HDMI 1* to view the digital program.

IMPORTANT FACT: Only the *HDMI INPUT1* jack can accept a DVI (digital video interface) signal.



OPERATING TIPS:

- Press the **INPUT** key after connecting cables to access the AV Inputs. There is NO need to tune to a blank channel.
- HDMI INPUT1 and INPUT2 jacks have identical functions, with HDMI INPUT1 having an additional feature for DVI connection. Compatible video devices can be connected to either set of jacks.
- Use HDMI (DVI) INPUT1 to connect your DVI device, make sure you connect Audio out to the DTV's VIDEO3 Audio In.
- The VIDEO3 audio jacks are used to receive the audio from the DVI device. These video jacks cannot be used when a DVI device is connected.

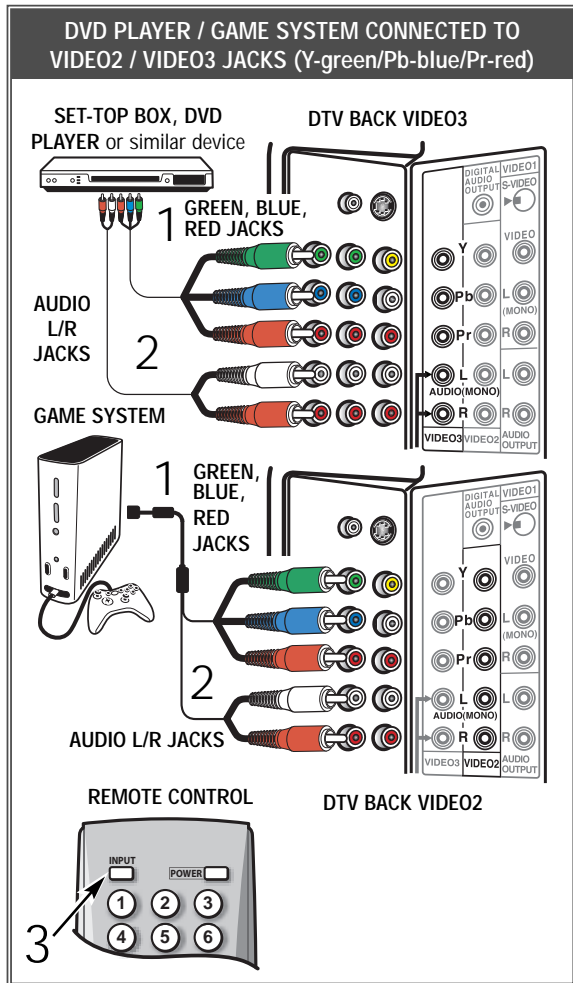
Need help? Visit our Web site at www.sanyoctv.com or Call 1-800-877-5032

VIDEO2 & 3 COMPONENT: GREEN, BLUE, RED—*Receiving an Exceptional picture*

CONNECTING A DVD OR GAME

- 1 Connect a Component Cable to the VIDEO2 / 3 Green, Blue, and Red video jacks as shown.
- 2 Connect an Audio Cable to the VIDEO2 / 3 White and Red audio jacks.
- 3 Press **INPUT** to select *Video 2* or *Video 3* to view the program.

Note: VIDEO2 and VIDEO3 jacks have identical functions. Compatible video devices can be connected to either or both jacks.

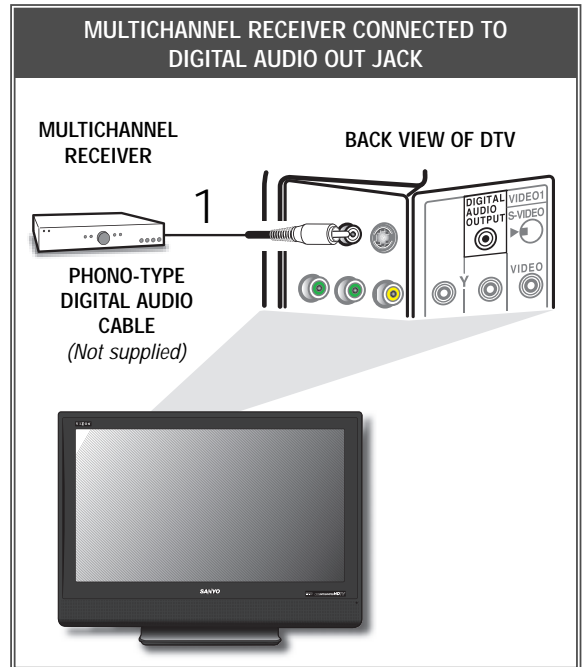


DIGITAL AUDIO JACK

CONNECTING A MULTICHANNEL RECEIVER TO THE DTV

- 1 Connect a Multichannel Receiver to the DTV Digital Audio Output as shown.

Note: Dolby® Digital 5.1 audio is available at the Digital Audio Output only when received as part of a Digital Antenna signal being viewed on the screen.



IMPORTANT FACT: To view available High-Definition (HD) programs, you must connect your HD equipment to the Component or HDMI jacks.

OPERATING TIPS:

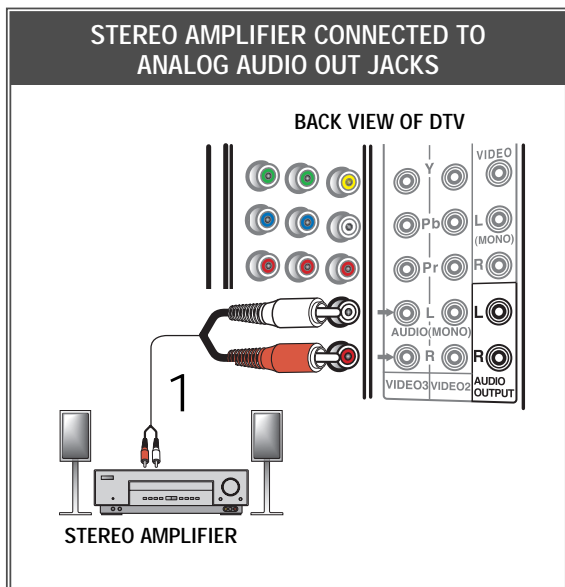
- Press the **INPUT** key after connecting cables to access the AV Inputs. There is NO need to tune to a blank channel.
- You DO NOT need to tune the DTV to Channel 3 or 4 to view a DVD program.

AUDIO OUT (FIXED ANALOG) JACKS

CONNECTING A STEREO AMPLIFIER TO THE DTV

- 1 Connect a Stereo Amplifier to the DTV Audio Out jacks as shown.

Note: **Do not** connect external speakers directly to the DTV.



OPERATING TIPS:

- Position your DTV at least 2 feet from stereo speakers. The magnets in the speakers may affect the picture quality.
- For Mono VCR (Single Audio Jack), connect VCR Audio Out to DTV Audio (L) Input.
- "No Signal" will appear randomly on the screen when no signal is detected at the VIDEO1 video jack.

VIDEO1 (COMPOSITE-YELLOW)—A

Good Picture or (S-VIDEO)—A Better Picture

CONNECTING A VCR OR DVD TO THE DTV

- 1 Connect a Composite Cable to the VIDEO1 Yellow, White, and Red AV jacks as shown.

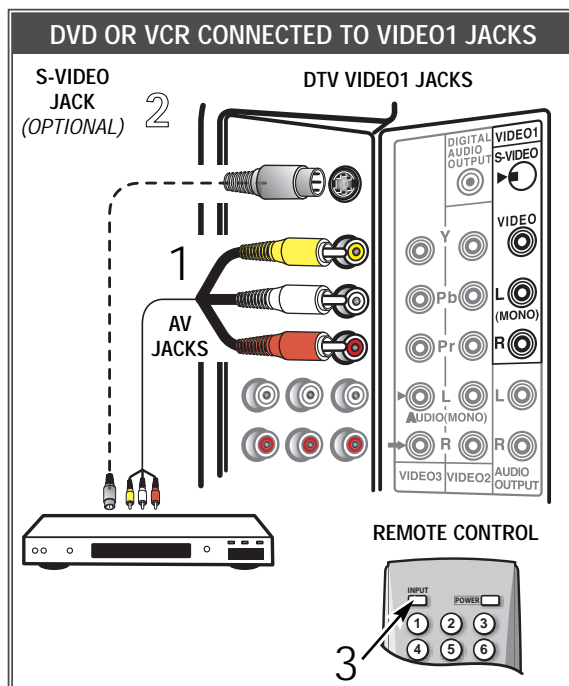
2 OPTIONAL

- 2 Connect a round 4-pin S-Video cable to the DTV S-Video In Jack, if available on your external equipment.

Note: S-Video jack connection overrides a Video jack connection (VIDEO1).

- 3 Press **INPUT** to select Video 1 to view the DVD or VCR program.

IMPORTANT FACT: Don't be confused by the phrase "Available in High-Definition." Composite jacks offer only 480i (SDTV) resolution.



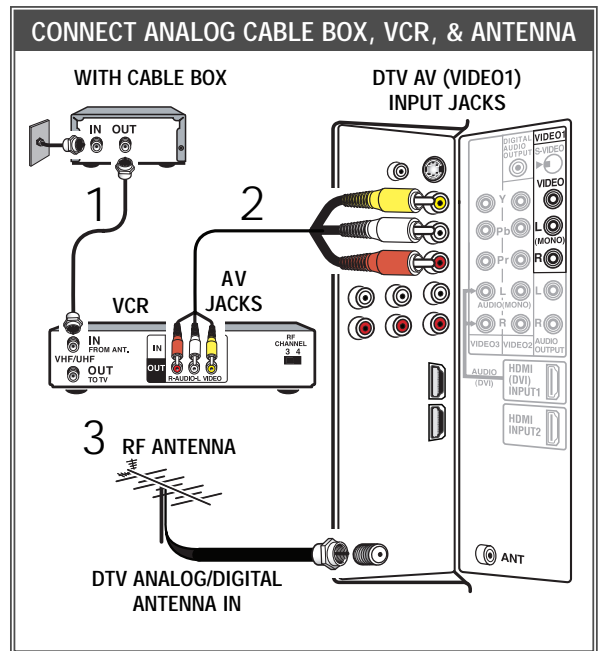
VIDEO1 (Continued on page 10.)

VIDEO1 (COMPOSITE-YELLOW) *Continued*

TO CONNECT ANALOG CABLE BOX OR CABLE, VCR, AND AN ANTENNA

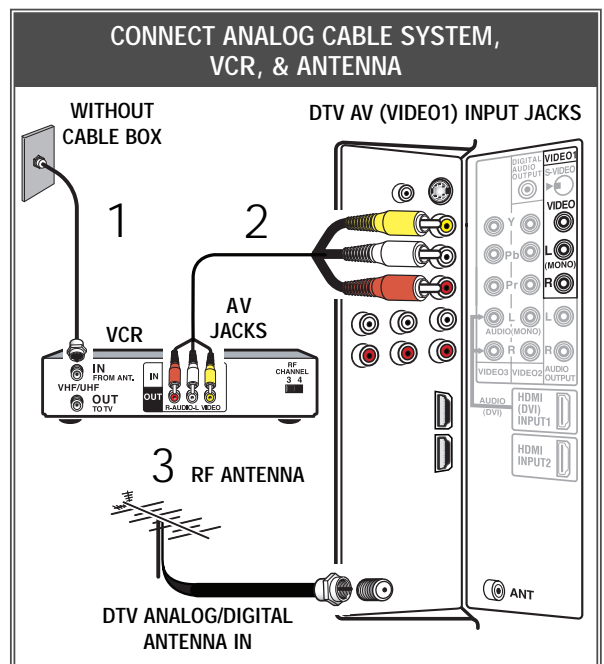
With Cable Box

- 1 Connect Analog Cable Box "Antenna Out" to the VCR "Antenna In."
- 2 Connect the VCR AV out jacks to VIDEO1 Yellow, White, and Red jacks.
- 3 Connect an Antenna to the DTV Analog/Digital Antenna In terminal.
- 4 Tune VCR to channel 3 or 4 to match your Cable Box.
- 5 Press **INPUT** to select *Video 1* to watch Analog Cable channels OR to TV channels to watch Antenna channels.
- 6 Select Cable channels with the cable box remote control. Select Antenna channels with the DTV remote control.



Without Cable Box

- 1 Connect Analog Cable system to the VCR "Antenna In."
- 2 Connect the VCR AV out jacks to VIDEO1 Yellow, White, and Red jacks.
- 3 Connect an Antenna to the DTV Analog/Digital Antenna In terminal.
- 4 Press **INPUT** to select *Video 1* to watch Analog Cable channels OR to TV channels to watch Antenna channels.
- 5 Select Analog Cable channels with the VCR's remote control. Select Antenna channels with the DTV remote control.



REMOTE CONTROL OPERATION

① **Input Key**—Press to select the program source to watch: Analog RF ➔ Digital RF ➔ Video 1 ➔ Video 2 ➔ Video 3 ➔ HDMI 1 ➔ HDMI 2 ➔ Analog RF.

② **Number Keys**—Two keys must be pressed to select a direct channel. *Example:* Press **0** then **6** to select channel 6. (See item #5 below.)

Note: Numerical direct channel selection works for either Analog or Digital channels in memory but not both at the same time.

③ **Info Key**—Press to display the Digital and Analog Full Banner information which includes: Channel Number (Major and Minor), Tuner ID, Station ID, V-Chip Program Rating, Program Title, Audio Info, and Signal Strength, if available. (Press again to remove the display.)

④ **Recall Key**—Press to switch between the last two channels. The RECALL key cannot toggle between a Digital channel and an Analog channel.

⑤ **1- - Key**—For Analog Cable channels above 100, press this key, then press the other two numbers.

⑥ Menu Navigational Keys:

Menu—Press to display the on-screen menu.

Cursor ▲ (up) ▼ (down) keys—Use these keys to move the cursor up and down within the menu.

Cursor < (left) > (right) keys—Use these keys to move the cursor left and right within the menu.

Enter Key—Press to select an option from the menu system, when required.

Exit Key—Press to exit from the menu system.

⑦ **Caption Key**—Press to select mode options: Digital CC1 ~ Digital CC6, or Analog CC1 ~ CC4, OFF, or QuikCap.

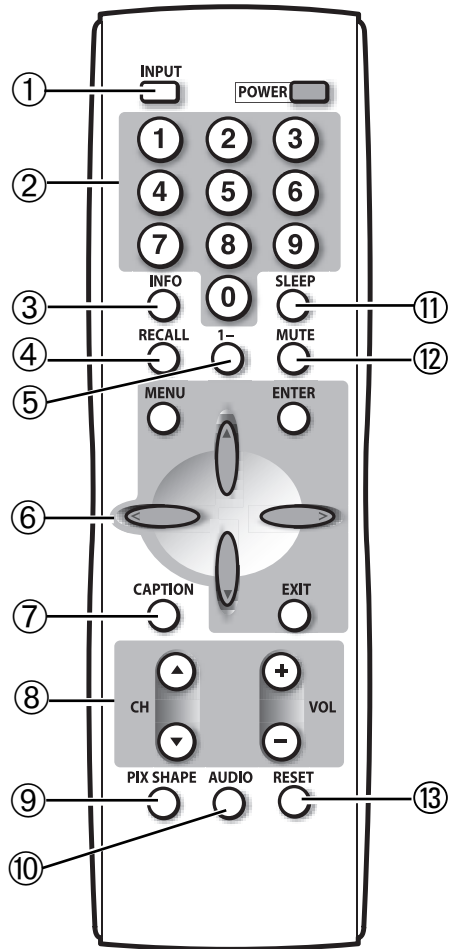
⑧ **Channel Scanning (CH ▲ ▼) Keys**—Press to scan through the channels in memory.

Volume Keys—Press **VOL - +** to adjust.

⑨ **Pix Shape Key**—Use this key to change the video display format. Available options depend on signal received and the broadcast's aspect ratio. They may include: *PIX1, PIX2, PIX3*, and *PIX4*.

⑩ **Audio Key**—Press to select the desired audio mode (if available).

POINT TOWARD DTV



⑪ **Sleep Key**—Press this key then the "0" key to set the Sleep Off Timer. Time can be set in 30-minute increments up to 3 hours.

Note: The Sleep Timer cancels when the DTV is turned off or if a power failure occurs.

⑫ **Mute Key**—Press once to mute the sound. Press again to restore.

⑬ **Reset Key**—Press this key twice to restore factory settings. The DTV will automatically start Channel Search and clear all customized settings. *Note: Channel scan memory database list of digital and analog channels will be replaced.* If desired, personal settings can be made again using the menu options.

ON-SCREEN MENU OPERATION

HOW TO OPERATE THE MENU

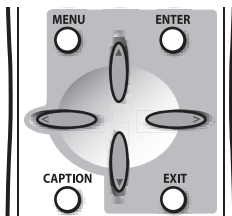
NOTES:

- Some Menu options are specific to Digital and Analog signals. To access these options, you must first tune the DTV to a digital or analog channel.
- "Not available" will be displayed on the screen if an unavailable menu option is selected.

- 1 Press the **MENU** key to display the Main menu.
- 2 Use the **CURSOR ▲▼** keys to highlight menu item.
- 3 Use the **CURSOR < >** keys to select or adjust menu item.
- 4 Press **ENTER** to activate setting, if needed.
- 5 When you have finished making adjustments, press the **EXIT** key to return to normal TV viewing.

Note: For menu items that have sub menus, follow on-screen instructions to select and make adjustments.

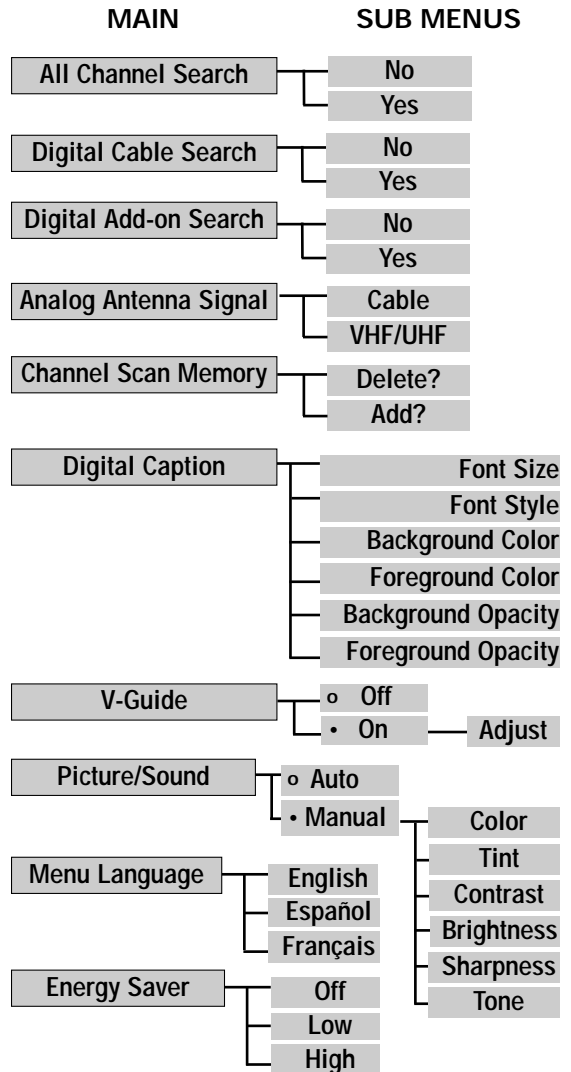
REMOTE CONTROL – CURSOR KEYS



TIP:

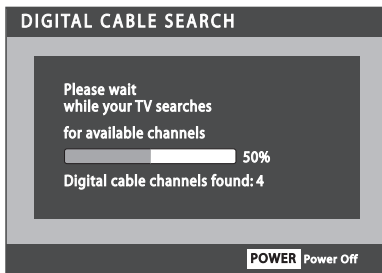
Along with the on-screen instructions, several features will be explained in more detail, see pages 13 ~ 15.

MENU NAVIGATIONAL MAP



DIGITAL CABLE SEARCH (OPTIONAL)

This DTV can receive unscrambled (ClearQAM) digital cable channels, when available. However, not all cable companies provide ClearQAM digital channels.



Digital Cable Search process will take about 10 minutes, please be patient.

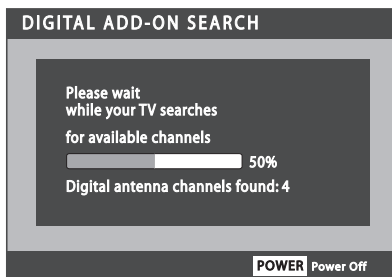
IMPORTANT FACTS: This DTV maintains only one database of digital channels. Therefore, when you search for ClearQAM digital cable channels, the database of antenna digital channels will be deleted. You will only be able to receive those ClearQAM channels your cable company provides.

To restore the antenna digital channel database, reconnect the antenna and use the menu system to perform an All Channel Search.

DIGITAL ADD-ON SEARCH

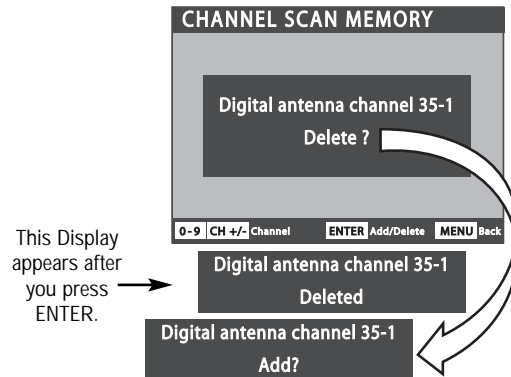
To add new digital channels to the existing antenna channel database, use Digital Add-on Search. The channels received are based on the transmitting towers.

For more info go to www.antennaweb.org and type in your zip code to obtain specific tower and antenna information. Then adjust your antenna and repeat the Digital Add-on Search.

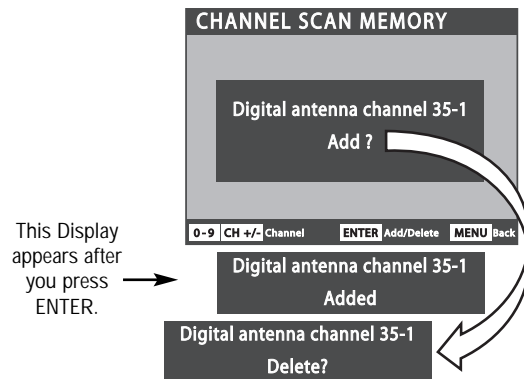


CHANNEL SCAN MEMORY

This is a list of active channels that you can scan through using the **Channel Scan CH ▲** (up) **CH ▼** (down) keys. The list can be customized by deleting and/or adding channels as shown.



After 3 seconds the TV screen will display "Add?"



After 3 seconds the TV screen will display "Delete?"

IMPORTANT FACTS: When a digital channel is deleted, all of that channel's sub-channels are deleted as well.

Only previous deleted digital channels can be added back to the Channel Scan Memory.

If one digital sub-channel is added back to the Channel Scan Memory list, all of that channel's sub-channels will be added back.

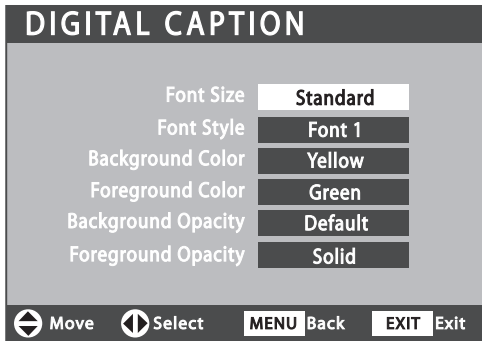
(Menu operations continued on page 14.)

Need help? Visit our Web site at www.sanyoctv.com or Call 1-800-877-5032

DIGITAL CAPTION

Captioning is text information transmitted along with the picture and sound. Turning Captioning ON causes the DTV to open these captions (digital or analog) and superimpose them on the screen. (Local broadcasters decide which caption signals to transmit.)

Digital Captions can be changed using the menu settings as shown.



QUICKCAP OPERATION

QuickCap turns captioning on and off with the *Mute* function. Press the **MUTE** key on the remote control to block the TV sound; the captions display automatically, if available. Press the **MUTE** key again to restore the sound. Captions will disappear.

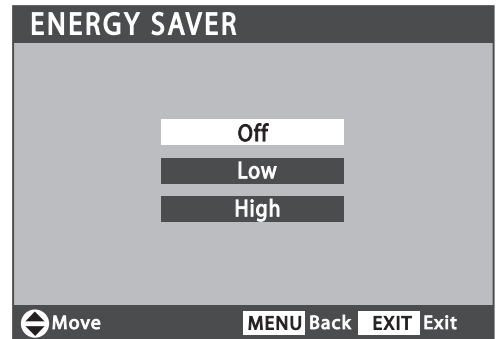
OPERATING TIPS:

- If Background Opacity is set to transparent, captions may be difficult to see.
- Only true EIA 708B Digital Closed-Captions are affected by all of these settings.

ENERGY (POWER) SAVER

This power saving feature reduces the backlight brightness level. The power saving function options:

- OFF—the feature is off and the power consumption is normal.
- LOW—power saving level is low and the backlight brightness level is lower than normal.
- HIGH—power saving level is high and the backlight brightness is set to the lowest level.



OPERATING TIP:

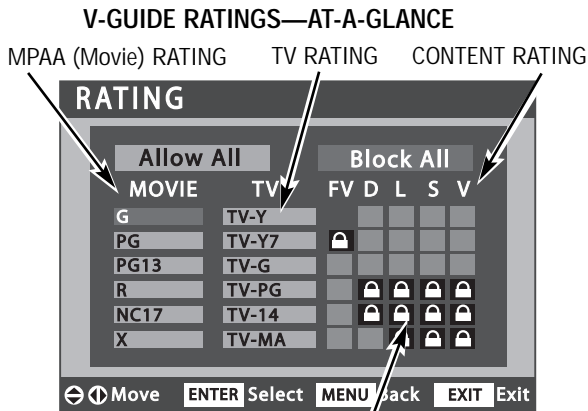
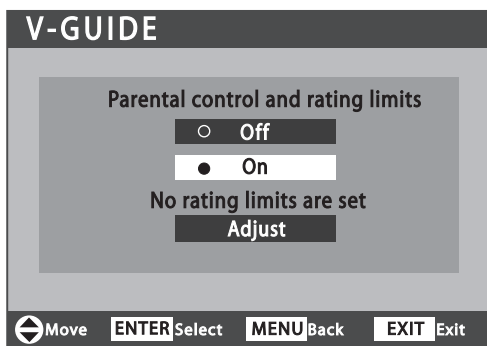
- The Energy saver settings level will vary depending on the Picture/Sound mode. For instance, the energy low level settings may be different between the manual picture/sound mode (customized settings) than the auto mode (factory settings).

V-GUIDE (PARENTAL CONTROL)

NOTE: THIS FEATURE IS DESIGNED TO COMPLY WITH THE UNITED STATES OF AMERICA'S FCC V-CHIP REGULATIONS. THEREFORE, IT MAY NOT FUNCTION WITH BROADCASTS THAT ORIGINATE IN OTHER COUNTRIES.

Use this feature to automatically block programs with content you deem as inappropriate for children to view.

This Sanyo television is equipped with an electronic V-Chip to interpret MPAA (Motion Picture Association of America) and TV Parental Guidelines rating codes. When these codes are detected, the DTV will automatically display or block the program, depending upon choices you make when setting up the V-Guide system.



BLOCKED RATINGS
(Lock symbol)

Content ratings are represented by the initials: FV (fantasy violence), L (adult language), S (sexual situations), V (violence), and D (suggestive dialog).

OPERATING TIPS:

- You can block portions of a TV rating by choosing one or more of the Content ratings (D, L, S, and V). By blocking just the L and S content ratings of TV-14, for example, TV-14 rated programs with a D and/or V content rating could still be viewed.
- V-Guide limits on programming received via the Analog antenna input, Digital antenna input, Video1 input, and any 480i signals received through the Component jacks can be controlled by this TV.

HELPFUL HINTS (PROBLEMS/SOLUTIONS)

Please check the chart below and try the solutions listed for your problem. If the problem still persists, **before returning your HDTV**, please

visit our website at www.sanyoctv.com or call us **toll free at 1.800.877.5032. We can Help!**

Problem:	Check these Conditions:	Try these Solutions:	Page No.
No picture, sound (Digital Picture)	<ul style="list-style-type: none"> • Check antenna/external connections • May be station trouble, NO signal broadcast. • MUTE function may be on. 	<ul style="list-style-type: none"> • Adjust antenna. • Try a different channel. • Press RESET key to restart channel search (All customized settings will be cancelled.) • Adjust Volume. 	5 ~ 10
No Captioning	<ul style="list-style-type: none"> • Check if station is broadcasting a Closed-Caption signal. • Select another channel. 	<ul style="list-style-type: none"> • Press CAPTION key to select captioning mode. 	11, 14
Cannot customize Caption	<ul style="list-style-type: none"> • Digital Caption signal is not being broadcast. 	<ul style="list-style-type: none"> • Press CAPTION key to select Analog captioning. 	11, 14
Cannot display picture on a full screen	<ul style="list-style-type: none"> • Check Aspect Ratio of broadcast. 	<ul style="list-style-type: none"> • Press PIX SHAPE key to change setting. 	11
Poor Picture/Sound (watching Analog)	<ul style="list-style-type: none"> • Check if program is in color. • Check antenna/external connections. • Color or Tint misadjusted. • May be station trouble. • Maybe MUTE function is on. 	<ul style="list-style-type: none"> • Try a different channel. • Adjust antenna. • Press RESET key to restart channel search. • Adjust Volume. 	11, 12
"No Signal" message appears on screen	<ul style="list-style-type: none"> • Check Audio / Video connections. • Check external equipment connections. • Check external equipment setting. • Check antenna connection. 	<ul style="list-style-type: none"> • Press INPUT key. • Switch on external equipment. • Turn antenna, install signal booster. • Set external equipment output connections to match input connections. 	7 ~ 10
Pixilation of Digital image	<ul style="list-style-type: none"> • Press INFO key and check signal strength. 	<ul style="list-style-type: none"> • Turn antenna, install signal booster. • Install outdoor Digital antenna. 	5, 11
Cannot select or scan some channels	<ul style="list-style-type: none"> • Channel may be removed from memory. • Check antenna connections. • No digital signal being broadcast. • V-Guide is set to block programming. • Weak Signal. 	<ul style="list-style-type: none"> • Select CH. Scan Memory and manually add channels or start channel search. • Set V-Guide to "ALLOW ALL" or press RESET key to clear all settings and restart channel search. • Turn antenna, install signal booster. 	11, 13 15 5
No Cable channels above number 13	<ul style="list-style-type: none"> • Cable Channel Indicator C should appear next to channel number. 	<ul style="list-style-type: none"> • Switch Analog Antenna Signal Selection to Cable. 	12
Remote Control will not work TV	<ul style="list-style-type: none"> • Check batteries. • Check if TV is plugged in. 	<ul style="list-style-type: none"> • Replace batteries. • Aim remote control at front of TV. 	5, 11
Cabinet makes popping sound.	<ul style="list-style-type: none"> • This is a normal condition during warm-up and cool down of the plastic cabinet parts. 		

ONE-YEAR LIMITED PARTS AND LABOR WARRANTY

THIS LIMITED PARTS AND LABOR WARRANTY IS VALID ONLY ON SANYO TELEVISIONS PURCHASED AND USED IN THE UNITED STATES OF AMERICA, CANADA, AND PUERTO RICO, EXCLUDING ALL OTHER U.S. TERRITORIES AND PROTECTORATES. THIS LIMITED WARRANTY APPLIES ONLY TO THE ORIGINAL RETAIL PURCHASER, AND DOES NOT APPLY TO PRODUCTS USED FOR INDUSTRIAL OR COMMERCIAL PURPOSES.

WARRANTY APPLICATION

FOR ONE YEAR from the date of original retail purchase Sanyo Manufacturing Corporation (SMC) warrants this TV to be free from manufacturing defects in materials and workmanship under normal use and conditions for parts and labor.

For the **FIRST 90 DAYS** from the date of original retail purchase, Sanyo Manufacturing Corporation will replace any defective TV via exchange at the retailer. **To ensure proper warranty application, keep the original-dated-sales receipt for evidence of purchase. Return the defective TV to the retailer along with the receipt and the included accessories, such as the remote control. The defective TV will be exchanged for the same model, or a replacement model of equal value, if necessary. Replacement model will be contingent on availability and at the sole discretion of Sanyo Manufacturing Corporation.**

THE FOREGOING WARRANTY IS EXCLUSIVE AND IN LIEU OF ALL OTHER WARRANTIES OF MERCHANTABILITY OR FITNESS FOR A PARTICULAR PURPOSE.

OBLIGATIONS

For one year from the date of purchase, Sanyo Manufacturing Corporation warrants this product to be free from defects in material and workmanship under normal use and conditions. During the first 90 days under this warranty for any manufacturing defect or malfunction Sanyo Manufacturing Corporation will provide a new TV via exchange at the retailer.

HOW TO MAKE A CLAIM UNDER THIS WARRANTY

Please call 1-800-877-5032. Please be prepared to give us the television's model number and serial number when you call. The model number and serial number are **printed on a label attached to** the back of the unit.

For customer assistance, call toll free 1-800-877-5032.

Weekdays 7:30 AM – 7:00 PM Central Time

Saturday 7:30 AM – 4:00 PM Central Time

This warranty expresses specific contractual rights; retail purchasers may have additional statutory rights which vary from state to state.

(EFFECTIVE: March 1, 2007)

For your protection in the event of theft or loss of this product, please fill in the information requested below and **KEEP IN A SAFE PLACE FOR YOUR OWN PERSONAL RECORDS.**

Model No. _____ Date of Purchase _____

Serial No. _____ Purchase Price _____

(Located on back of unit)

Where Purchased _____



Sanyo Manufacturing Corp.
3333 Sanyo Road, Forrest City, AR 72335

Need help? Visit our Web site at www.sanyoctv.com or Call 1-800-877-5032

17

ESPAÑOL MANUAL DE INSTRUCCIONES

Bienvenido al Mundo de SANYO

Gracias por comprar esta televisión digital LCD HDTV. Usted ha hecho una excelente elección por Desempeño, Confiabilidad, Características, Valor, y Estilo. Por favor visite nuestro sitio de internet **www.sanyoctv.com** o llame sin costo al 1-800-877-5032. **Nosotros podemos ayudar!**

CONTENIDO

BIENVENIDO AL MUNDO DE SANYO	18	CONECTORES ANÁLOGAS AV	
IMPORTANTES MEDIDAS DE SEGURIDAD	19	CONECTANDO LA SALIDA DE AUDIO ANÁLOGAS	
ESPECIFICACIONES	20	Amplificador Estereofónico	26
PROTEGAR LA PANTALLA DE LCD	20	CONECTORES VIDEO1 ANÁLOGAS AV	
COLOCANDO LA DTV DE LCD	20	Video Casetera (VCR) (u otro Aparato Análogo)	26
QUITANDO EL PEDESTAL DEL DTV (OPCIONAL)	21	Conecte la señal de Cable, VCR, y una antena	27
MONTAJE EN LA PARED (OPCIONAL)	21	OPERACIÓN DE CONTROL REMOTO	28 ~ 29
PRECAUCIONES DE MANEJO	21	OPERACIÓN DE MENÚ	
PARA EMPAZAR (AJUSTE INICIAL REQUERIDO)	22	Como Operar el Menú en Pantalla	30
Instale dos "AAA" las Baterías	22	Mapa de Navegación del Menú	30
Conexiones de la Señal (Digital / Analógica)	22	Opciones de Menu:	
Conectando el Cordonde Potencia	22	Búsqueda de todos los canales	30
Busqueda de todos los Canales	22	Señal de Antena Análoga (Opcional)	30
PANELES LADO Y TRASERO	23	Ajustes de Imagen / Sonido	30
CONEXIONES DIGITALES AV		Lenguaje del Menú	30
CONECTANDO HDMI	24	Búsqueda de Canales de Cable	
Reproductor de DVD HD o Juego	24	Digitales (Opcional)	31
STB con Salida DVI	24	Búsqueda de Canales Digitales	31
CONECTORES VIDEO2 / 3 COMPONENTE		Memoria de Canales	31
Reproductor de DVD HD o Juego	25	Caption DTV	32
CONECTANDO LA SALIDA DE AUDIO DIGITAL		Ahorrador de Energia	32
Receptor Multicanales	25	Guía-V (Control Paternal)	33
		SUGERENCIAS ÚTILES (PROBLEMAS/SOLUCIONES)	34
		GARANTÍA	35

PREGUNTAS FRECUENTES

La imagen no es tan clara como debería de ser. ¿Estoy usando las mejores conexiones?

La calidad de la imagen esta clasificada de la siguiente manera:

Conexión de cable análoga de RF	Básica
Video1 (Compuesto Amarilla)	Buena
Video1 (S-Video)	Mejor
Video2 / 3 (Componente: verde, azul, rojo)	Excepcional
HDMI1 / 2 o Entrada de Antenna (Digital)	Ultimo



"Como un Asociado de ENERGY STAR®," Sanyo Manufacturing Corporation, ha determinado que este producto cumple con los lineamientos en eficiencia energética de ENERGY STAR®.

VIZON® con un doble "Zeta" es una marca registrada de Sanyo Manufacturing Corporation.

Free Manuals Download Website

<http://myh66.com>

<http://usermanuals.us>

<http://www.somanuals.com>

<http://www.4manuals.cc>

<http://www.manual-lib.com>

<http://www.404manual.com>

<http://www.luxmanual.com>

<http://aubethermostatmanual.com>

Golf course search by state

<http://golfingnear.com>

Email search by domain

<http://emailbydomain.com>

Auto manuals search

<http://auto.somanuals.com>

TV manuals search

<http://tv.somanuals.com>