

# SUBMITTAL SHEET



AIRCONDITIONING PRODUCTS

SYSTEM INDOOR/OUTDOOR  
 09KHS22 09KHS22/CH0922  
 WALL MOUNTED HEAT PUMP

SS09KHS22-1

**GENERAL DATA (At 230V)**

POWER V/PH/HZ	230 - 208/1/6
Circuit Ampacity, Min. (A)	15
Fuse size, Max. (A)	15

COMPRESSOR	Rotary-Hermetic
No. used	1
R.L. Amps - L.R. Amps (A)	4.0-30
Crankcase Heater	20W

OUTDOOR FAN - TYPE	Propeller
Dia. (in.) - No. used	15-3/4 - 1
Type Drive - No. speeds	Direct - 1
No. Poles - RPM	6 - 820
No. Motors - HP	1 - 1/38
CFM (High)	750
F.L. Amps. (A)	0.4

OUTDOOR COIL - TYPE	Aluminum Fin & Copper Pipe
Fin Type - Pipe Type	Slit Plate - Inner Riffled
Rows - F.P.I.	2 - 15.9
Face Area (sq.ft.)	3.29
Tube Size (in.)	3/8

INDOOR FAN - TYPE	Cross - Flow
Dia. & Length (in.) - No. used	3-17/32 & 24-5/8 - 1
No. speeds	3 & Auto
No. Poles -RPM (High)	4-1,450
No. Motors - HP	1 - 1/75
CFM (HI/MED/LOW)	220/190/160
F.L. Amps (A)	0.2

INDOOR COIL - TYPE	Aluminum Fin & Copper Pipe
Fin Type - Pipe type	Slit Plate - Inner Riffled
Rows - F.P.I.	2 - 14.1
Face Area (sq. ft.)	1.63
Tube Size (in.)	3/8
Drain Connection Size (in.)	23/32

REFRIGERANT	R22
Lbs. - R22 (O.D. Unit)	2.91
Control	Capillary Tube
Connection	Flare
Line Length, Max (ft.)	50
Lift difference, Max (ft.)	23
Line Size - in. O.D. Discharge	1/4
Line Size - in. O.D. Suction	3/8

DIMENSIONS (in.)	H	x	W	x	D
Indoor Unit - Uncrated	13-19/32	x	31- 1/2	x	7- 3/32
- Crated	17- 3/16	x	33- 7/8	x	9 -21/32
Outdoor unit -Uncrated	20- 7/8	x	29-17/32	x	11-1/32
-Crated	23- 17/32	x	35-13/32	x	13- 7/8

WEIGHT	INDOOR	OUTDOOR
Net (lbs.)	24.3	90.4
Shipping(lbs.)	28.7	97.0

Shipping Volume (cu.ft.)	3.2	6.7
--------------------------	-----	-----

**PERFORMANCE DATA @ ARI STANDARD CONDITIONS (230/208V)**

<b>COOLING</b>		
Total Capacity (BTU/H)		9,000/8,800
Sensible Capacity (BTU/H)		5,690/5,530
Latent Capacity (BTU/H)		3,310/3,270
SEER		10.0/10.0
Dehumidification (Pints/H)		2.2/2.1
Amps (A)		4.5/4.6
Power Inputs (W)		950/930
<b>HEATING</b>		
Total Capacity (BTU/H)		10,900/10,700
HSPF		6.8/6.8
Amps (A)		4.7/4.8
Power Inputs (W)		1,030/980
Back-up Strip Heater (KW)		1.0/0.82
Outdoor Sound Rating (bels)		7.0

**FEATURE**

Controls	Microprocessor
Remote Controller	LCD Wireless type
Temperature Control	IC Thermostat
Timer	ON/OFF, 24 hours
Night Setback	Built-In
Air Louver (Horizontal)	Manual
(Vertical)	Manual
Power Failure Automatic Restart	Built-In
Self Diagnosis	Built-In
Heating/Cooling Automatic Changeover	Built-In

**OPTION**

Refrigerant Line Set	AP0905BH (15 ft)
	AP0907BH (20 ft)
	AP0910BH (30 ft)
Low Ambient Control	N/A
Fresh Air Intake	N/A
Central Remote ON-OFF Control	Available
Air duct Extension	N/A
Indoor Frame Extension	N/A
Condensate Drain Pump	Available
Non-Removable Remo-con Bracket	Available

**OPERATING RANGE**

Cooling	Indoor Air	Outdoor Air
	Intake Temp.	Intake Temp.
Maximum	95 F DB/71 F WB	115 F DB
Minimum	67 F DB/57 F WB	67 F DB
Heating	Maximum	80 F DB/67 F WB
	Minimum	- F DB/- F WB
		75 F WB/65 F WB
		17 F WB/15 F WB

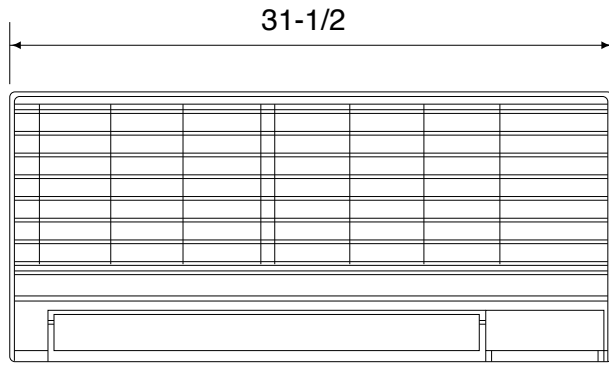
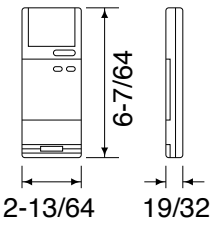
**CERTIFICATION**



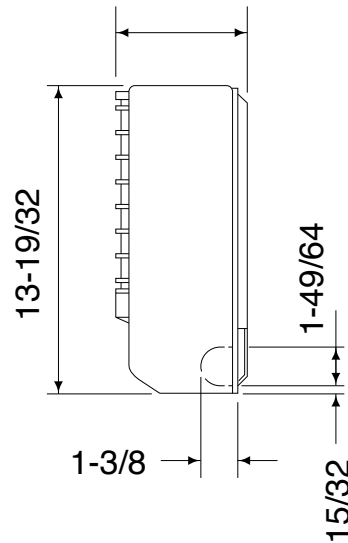
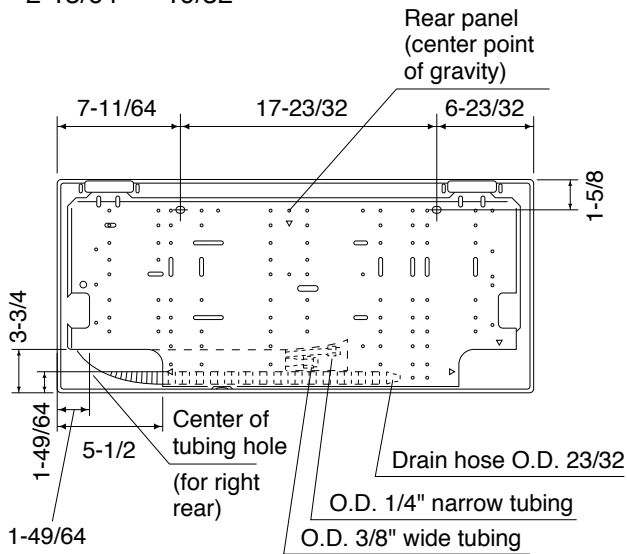
# DIMENSIONAL DATA

## Indoor Unit: KHS0921, KHS0922

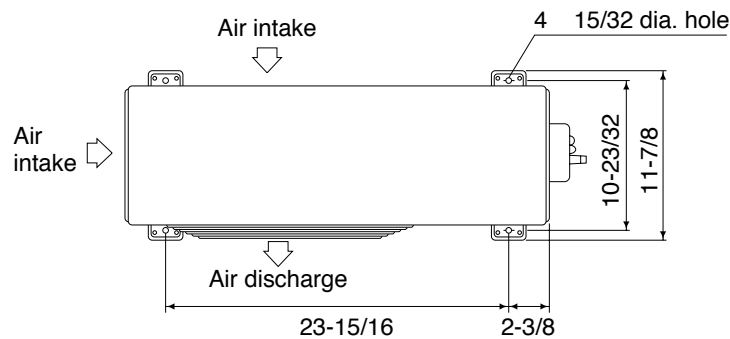
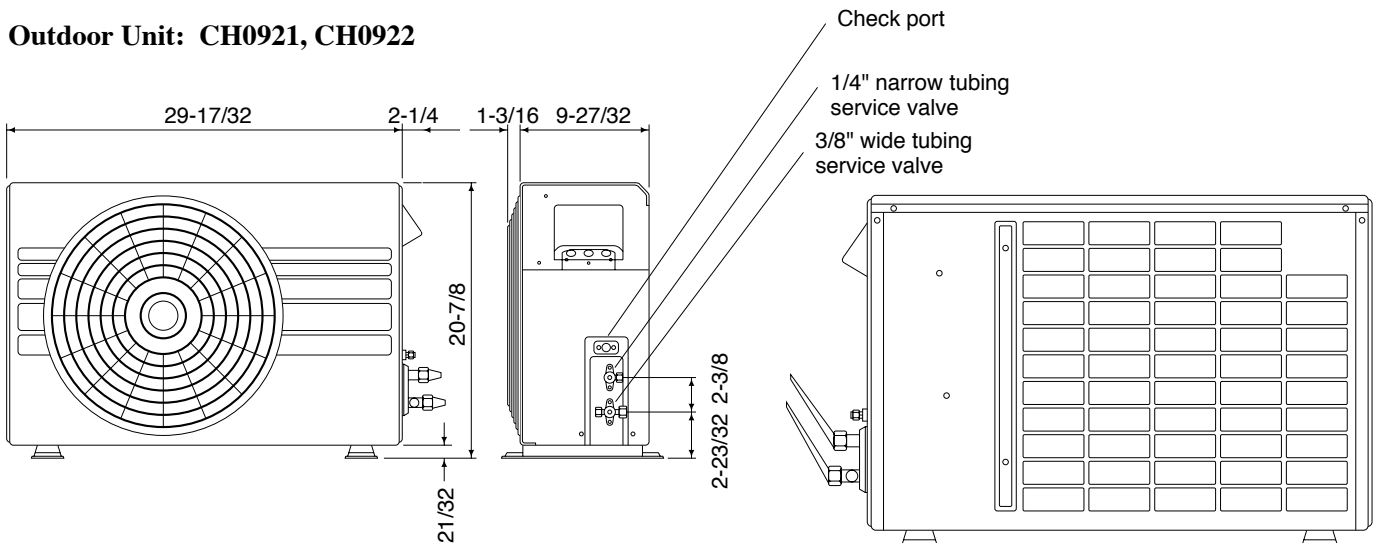
Wireless remote control unit



7-3/32



## Outdoor Unit: CH0921, CH0922



## WARRANTY

SANYO products are warranted against defects in materials and workmanship for the period below;

	LABOR	PARTS
Compressor	30 Days	5 Years
Other Components	N/A	1 Year

Because of a policy of continuous product improvements, SANYO reserves the right to change specifications and design without notice.

Full specific warranty rights, conditions, exclusions and obligations are specified in the warranty packed with each product.

**SANYO FISHER COMPANY**  
 A Division of SANYO North America Corporation  
 21605 Plummer St. Chatsworth, CA 91311  
 Phone : (818) 998-7322  
 Fax : (818) 701-4160  
 Website: <http://www.sanyohvac.com>

## Free Manuals Download Website

<http://myh66.com>

<http://usermanuals.us>

<http://www.somanuals.com>

<http://www.4manuals.cc>

<http://www.manual-lib.com>

<http://www.404manual.com>

<http://www.luxmanual.com>

<http://aubethermostatmanual.com>

Golf course search by state

<http://golfingnear.com>

Email search by domain

<http://emailbydomain.com>

Auto manuals search

<http://auto.somanuals.com>

TV manuals search

<http://tv.somanuals.com>