

Split System Submittal Data



Building Life.

System: 36UHW72R

Indoor/Outdoor: UHW3672R/CH3672R

Concealed Duct Heat Pump

Job Name: _____
 Location: _____
 Engineer: _____
 Submitted to: _____
 Submitted by: _____
 Reference: _____

Approval: _____
 Date: _____
 Construction: _____
 Unit #: _____
 Drawing #: _____

General Data (at 230V)

Power	V/PH/Hz	230/208/1/60
Circuit Ampacity	(A)	15-35 Indoor-Outdoor
Fuse Size, Max.	(A)	15-35 Indoor-Outdoor

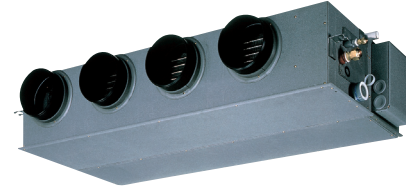
Compressor		DC Rotary
No. used		1
R.L. Amps - L.R.	(A)	16.4

Outdoor Unit		
Fan type		Propeller
Dia. (in.) - No. Speeds		18-7/64-1
Type Drive - No. Speeds		Direct - Inverter
No. Poles	(RPM)	8-830
No. Motors	(W)	1-90
CFM	(High)	1942
F.L. Amps	(A)	17.3

Coil Type		Aluminum Fin & Copper Pipe
Fin Type - Pipe Type		Slit Plate - Inner Rifled
Rows - F.P.I.		2-14.1
Face Area	(sq.ft.)	7.26
Tube Size	(in.)	3/8"

Indoor Unit		
Fan type		Centrifugal
Dia. & Length (in.) - No. Speeds		5-29/32-3
No. Speeds		3 & Auto
No. Poles	(RPM, High)	4-940
No. Motors	(W)	1-100
CFM	(Hi/Med/Lo)	1060/920/750
Indoor Sound Rating	(Hi) (dB-A)	38
F.L. Amps	(A)	1.0

Coil Type		Aluminum Plate Fin & Copper Tube
Fin Type - Pipe Type		Slit Plate - Inner Rifled
Rows - F.P.I.		3-12.7
Face Area	(sq.ft.)	3.32
Tube Size	(in.)	3/8"
Drain Connection Size		Max. head 2-33/64in. above drain connection (1-17/64)



Refrigerant		R410A
Lbs. - R410a (outdoor unit)		6.17
Control		Electric Expansion Valve
Connection		Flare
Line Length, Max (ft.)		165
Lift Difference, Max (ft.)		50 (Outdoor lower), 100 (Outdoor higher)
Line Size	(in. O.D. Discharge)	3/8"
Line Size	(in. O.D. Suction)	5/8"

Dimensions	(in.)	H x W x D
Indoor Unit	(Uncrated)	12-7/32 x 58-9/32 x 24-13/16
	(Crated)	14-3/32 x 65-25/32 x 30-13/16
Outdoor Unit	(Uncrated)	30-23/32 x 37 x 13-3/8
	(Crated)	34-31/32 x 39-31/32 x 16-3/32

Weight		Indoor	Outdoor
Net	(lbs.)	104	143
Shipping	(lbs.)	115	161
Shipping Volume	(cu.ft.)	16.5	13.0

Performance Data @ ARI Standard Conditions (230/208V)

Cooling		
Total Capacity	(BTU/H)	31,200 (9,500-31,200)
Sensible Capacity	(BTU/H)	19,570
Latent Capacity	(BTU/H)	11,630
SEER		14.9
Dehumidification	(Pints/H)	10.0
Amps	(A)	18.6/20.6
Power Inputs	(W)	3,920/3,920
Outdoor Sound Rating	(dB-A)	52

Heating		
Total Capacity	(BTU/H)	36,200 (8,000-36,200)
HSPF		8.7

Dimensions

Heating

Amps	(A)	15.9/17.6
Max. Amps	(A)	15.9/17.6
Power Inputs	(W)	3,340/3,340
Back-up Strip Heater	(KW)	0.00/0.00
Outdoor Sounds Rating	(dB-A)	52

Options

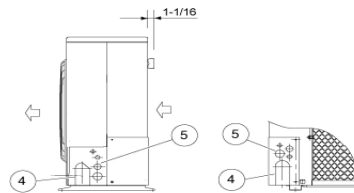
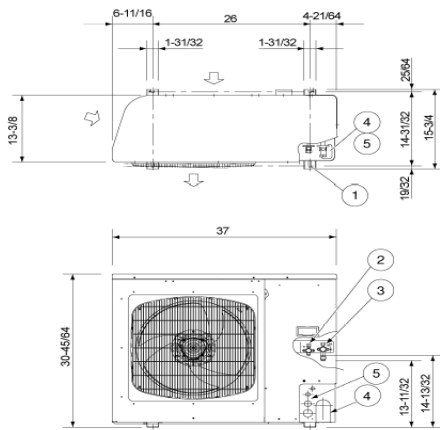
Refrigerant Line Set	Available
Fresh Air Intake	N/A
Condensate Drain Pump	Standard
Wireless Remote Controller	Available
Non-Removeable Remo-con Bracket	Available

Features

Controls	Microprocessor
Remote Controller	LCD Wired Type, Temp. Sensor Built In
Temperature Control	IC Thermostat
Timer	72HR, ON/OFF
Night Setback	Built-In
Air Louver	(Horizontal) Manual (Vertical) Automatic
Power Failure Automatic Restart	Built-In
Heating/Cooling Automatic Changeover	Built-In
Self-Diagnosis	Built-In
Air Filter	Washable, Anti-Mold

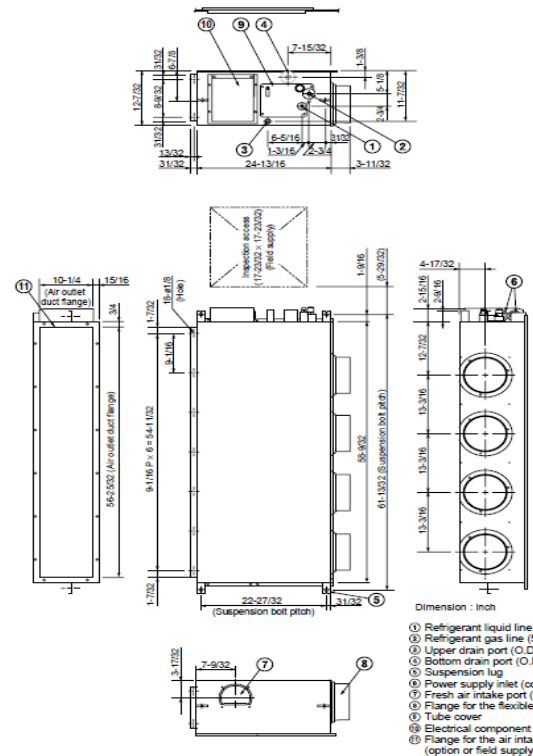
Operating Range

Cooling	Maximum	Indoor Air Intake Temp. 95F DB/71F WB	Outdoor Air Intake Temp. 109F DB
	Minimum	67F DB/57F WB	0F DB
Heating	Maximum	Indoor Air Intake Temp. 80F DB/67F WB	Outdoor Air Intake Temp. 75F DB/65F WB
	Minimum	-DB/-WB	5F DB



Dimension: inch

- ① Hole for anchor bolt (4-R6.5) / Anchor bolt: M10
- ② Refrigerant tube joint (liquid line tube) • Flare connection 3/8 in (9.52 mm)
- ③ Refrigerant tube joint (gas line tube) • Flare connection 5/8 in (15.88 mm)
- ④ Refrigerant tubing inlet (knock-out hole)
- ⑤ Power supply inlet (knock-out hole $\phi 38$, $\phi 29$, $\phi 19$, $\phi 16$ mm)



Dimension: inch

- ① Refrigerant liquid line (3/8") Flare connection
- ② Refrigerant gas line (5/8") Flare connection
- ③ Upper drain port (O.D. 1-1/4)
- ④ Bottom drain port (O.D. 1-1/32)
- ⑤ Suspension lug
- ⑥ Power supply inlet (conduit size 1/2")
- ⑦ Fresh air intake port (ø5-29/32)
- ⑧ Flange for the flexible air outlet duct (ø7-7/8)
- ⑨ Tube cover
- ⑩ Electrical component box
- ⑪ Flange for the air intake duct (option of field supply)

HW1_H_1



Sanyo Commercial Solutions
A Division of SANYO North America
1300 Michael Drive
Wood Dale, IL 60191 USA
www.sanyohvac.com



Free Manuals Download Website

<http://myh66.com>

<http://usermanuals.us>

<http://www.somanuals.com>

<http://www.4manuals.cc>

<http://www.manual-lib.com>

<http://www.404manual.com>

<http://www.luxmanual.com>

<http://aubethermostatmanual.com>

Golf course search by state

<http://golfingnear.com>

Email search by domain

<http://emailbydomain.com>

Auto manuals search

<http://auto.somanuals.com>

TV manuals search

<http://tv.somanuals.com>