



# Microwave Oven

This owner's guide book is for the following 900 watts microwave oven model:

## EM-S8597V



1. READ these instructions carefully before installing and operating the oven. Keep them for further reference.
2. Record in the space below the SERIAL NO. found on the nameplate on your oven and retain this information for future reference.

SERIAL NO.:

## PRECAUTIONS TO AVOID POSSIBLE EXPOSURE TO EXCESSIVE MICROWAVE ENERGY

1. Do not attempt to operate this oven with the door open since open door operation can result in harmful exposure to microwave energy. It is important not to defeat or tamper with the safety interlocks.
2. Do not place any object between the oven front face and the door or allow soil or cleaner residue to accumulate on sealing surfaces.
3. Do not operate the oven if it is damaged. It is particularly important that the oven door close properly and that there is no damage to the
  - a. Door (bent),
  - b. Hinges and latches (broken or loosened),
  - c. Door seals and sealing surfaces.
4. The oven should not be adjusted or repaired by anyone except properly qualified service personnel.

## CONTENTS

PRECAUTIONS TO AVOID POSSIBLE EXPOSURE TO EXCESSIVE MICROWAVE ENERGY .....	1
SPECIFICATIONS .....	2
BEFORE YOU CALL FOR SERVICE .....	2
INSTALLATION .....	2
GROUNDING INSTRUCTIONS .....	<b>Error! Bookmark not defined.</b>
RADIO INTERFERENCE .....	<b>Error! Bookmark not defined.</b>
IMPORTANT SAFETY INSTRUCTIONS .....	3
MICROWAVE COOKING PRINCIPLES .....	4
UTENSILS GUIDE .....	4
PART NAMES .....	5
CONTROL PANEL .....	6
HOW TO SET THE OVEN CONTROLS .....	7
Setting the clock .....	7
Setting cooking time and power .....	7
Multi-stage cooking .....	7
Pre-Set cooking .....	7
Express cooking .....	7
Weight defrost .....	8
Jet Defrost .....	8
Setting timer .....	8
Safety lock .....	8
To Stop the Oven During Operation .....	8
CLEANING AND CARE .....	2

## **SPECIFICATIONS**

Power Consumption	230-240V, 50Hz, 1400W(Microwave)
Rated microwave power output:	900W
Operation Frequency:	2450MHz
Outside Dimensions:	281mm(H)×483mm(W)×388mm(D)
Oven Cavity Dimensions:	220mm(H)×340mm(W)×344mm(D)
Oven Capacity:	25Litres
Cooking Uniformity:	Turntable System{Φ270mm}
Net Weight:	Approx.13.9kg

Note: The data above may be further confirmed or updated.

## **BEFORE YOU CALL FOR SERVICE**

If the oven fails to operate:

1. Check to ensure that the oven is plugged in securely. If it is not, remove the plug from the outlet, wait 10 seconds, and plug it in again securely.
2. Check for a blown circuit fuse or a tripped main circuit breaker. If these seem to be operating properly, test the outlet with another appliance.
3. Check to ensure that the control panel is programmed correctly and the timer is set.
4. Check to ensure that the door is securely closed engaging the door safety lock system. Otherwise, the microwave energy will not flow into the oven.

IF NONE OF THE ABOVE RECTIFY THE SITUATION, THEN CONTACT A QUALIFIED TECHNICIAN. DO NOT TRY TO ADJUST OR REPAIR THE OVEN YOURSELF.

## **INSTALLATION**

1. Make sure that all the packing materials are removed from the inside of the door.
2. **WARNING:** Check the oven for any damage, such as misaligned or bent door, damaged door seals and sealing surface, broken or loose door hinges and latches and dents inside the cavity or on the door. If there is any damage, do not operate the oven and contact qualified service personnel.
3. This microwave oven must be placed on a flat, stable surface to hold its weight and the heaviest food likely to be cooked in the oven.
4. Do not place the oven where heat, moisture, or high humidity are generated, or near combustible materials.
5. For correct operation, the oven must have sufficient airflow. Allow 20cm of space above the oven, 10cm at back and 5cm at both sides. Do not cover or block any openings on the appliance. Do not remove feet.
6. Do not operate the oven without glass tray, roller support, and shaft in their proper positions.
7. Make sure that the power supply cord is undamaged and does not run under the oven or over any hot or sharp surface.
8. The socket must be readily accessible so that it can be easily unplugged in an emergency.
9. Do not use the oven outdoors.

## IMPORTANT SAFETY INSTRUCTIONS

When using electrical appliance basic safety precautions should be followed, including the following:

**WARNING:** To reduce the risk of burns, electric shock, fire, injury to persons or exposure to excessive microwave energy:

1. Read all instructions before using the appliance.
2. Use this appliance only for its intended use as described in this manual. Do not use corrosive chemicals or vapors in this appliance. This type of oven is specifically designed to heat, cook or dry food. It is not designed for industrial or laboratory use.
3. Do not operate the oven when empty.
4. Do not operate this appliance if it has a damaged cord or plug, if it is not working properly or if it has been damaged or dropped. If the supply cord is damaged, it must be replaced by the manufacturer or its service agent or a similarly qualified person in order to avoid a hazard
5. **WARNING:** Only allow children to use the oven without supervision when adequate instructions have been given so that the child is able to use the oven in a safe way and understands the hazards of improper use.
6. To reduce the risk of fire in the oven cavity:
  - a. When heating food in plastic or paper container, check the oven frequently to the possibility of ignition.
  - b. Remove wire twist-ties from paper or plastic bags before placing bag in oven.
  - c. If smoke is observed, switch off or unplug the appliance and keep the door closed in order to stifle any flames.
  - d. Do not use the cavity for storage purposes. Do not leave paper products, cooking utensils or food in the cavity when not in use.
7. **WARNING:** Liquid or other food must not be heated in sealed containers since they are liable to explode.
8. Microwave heating of beverage can result in delayed eruptive boiling, therefore care has to be taken when handle the container.
9. Do not fry food in the oven. Hot oil can damage oven parts and utensils and even result in skin burns.
10. Eggs in their shell and whole hard-boiled eggs should not be heated in microwave ovens since they may explode even after microwave heating has ended.
11. Pierce foods with heavy skins such as potatoes, whole squashes, apples and chestnuts before cooking.
12. The contents of feeding bottles and baby jars should be stirred or shaken and the temperature should be checked before serving in order to avoid burns.
13. Cooking utensils may become hot because of heat transferred from the heated food. Potholders may be needed to handle the utensil.
14. Utensils should be checked to ensure that they are suitable for use in microwave oven.
15. **WARNING:** It is hazardous for anyone other than a trained person to carry out any service or repair operation which involves the removal of any cover which gives protection against exposure to microwave energy.
16. This product is a Group 2 Class B ISM equipment. The definition of Group 2 which contains all ISM (Industrial, Scientific and Medical) equipment in which radio-frequency energy is intentionally generated and/or used in the form of electromagnetic radiation for the treatment of material, and spark erosion equipment. For Class B equipment is equipment suitable for use in domestic establishments and in establishments directly connected to a low voltage power supply network which supplies buildings used for domestic purpose.
17. Please be advised that Sanyo Microwave Ovens are not mean't to be installed / used in an enclosed cabinet.
18. This appliance is not intended for use by persons (including children) with reduced physical, sensory or mental capabilities, or lack of experience and knowledge, unless they have been given supervision or instruction concerning use of the appliance by a person responsible for their safety.

19. Children should be supervised to ensure that they do not play with the appliance.

## **MICROWAVE COOKING PRINCIPLES**

1. Arrange food carefully. Place thickest areas towards outside of dish.
2. Watch cooking time. Cook for the shortest amount of time indicated and add more as needed. Food severely overcooked can smoke or ignite.
3. Cover foods while cooking. Covers prevent spattering and help foods to cook evenly.
4. Turn foods over once during microwaving to speed cooking of such foods as chicken and hamburgers. Large items like roasts must be turned over at least once.
5. Rearrange foods such as meatballs halfway through cooking both from top to bottom and from the center of the dish to the outside.

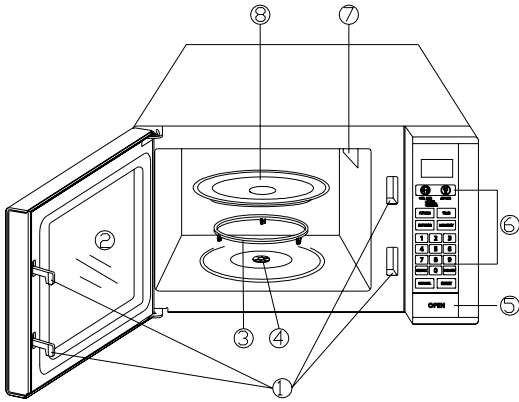
## **UTENSILS GUIDE**

1. The ideal material for a microwave utensil is transparent to microwave, it allows energy to pass through the container and heat the food.
2. Microwave can not penetrate metal, so metal utensils or dishes with metallic trim should not be used.
3. Do not use recycled paper products when microwave cooking, as they may contain small metal fragments which may cause sparks and/or fires.
4. Round /oval dishes rather than square/oblong ones are recommend, as food in corners tends to overcook.
5. Narrow strips of aluminum foil may be used to prevent overcooking of exposed areas. But be careful don't use too much and keep a distance of 1 inch (2.54cm) between foil and cavity.

The list below is a general guide to help you select the correct utensils.

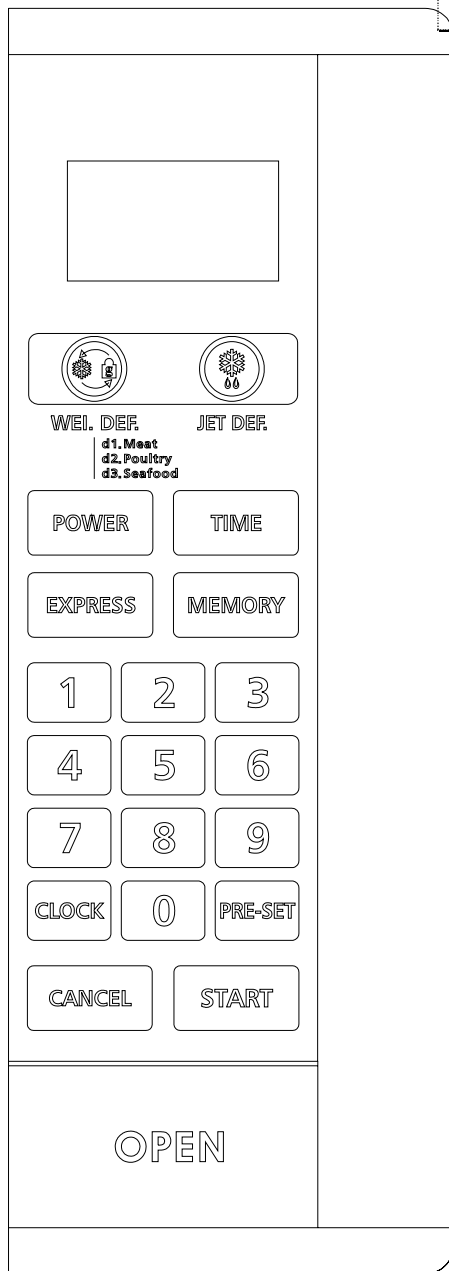
COOKWARE	MICROWAVE
Heat-Resistant Glass	Yes
Non Heat-Resistant Glass	No
Heat-Resistant Ceramics	Yes
Microwave-Safe Plastic Dish	Yes
Kitchen Paper	Yes
Metal Tray	No
Metal Rack	No
Aluminum Foil & Foil Containers	No

## PART NAMES



1. Door Safety Lock System
2. Oven Window
3. Roller Ring
4. Shaft
5. Door Release Button
6. Control Panel
7. Oven Air Vent
8. Glass Tray

## CONTROL PANEL



- **MENU ACTION SCREEN**

Clock, cooking time, power, action indicators are displayed.

- **NUMBER PADS**

Touch to enter clock time, set power level, and indicate food weight.

- **POWER**

Press this button once and then use the number button to set a cooking power level other than full power.

- **TIME**

Press the TIME button once and then use the number buttons to set cooking time up to 99min. 99sec.

- **WEI.DEF. (WEIGHT DEFROST)**

Use to defrost frozen meat, poultry and seafood by weight. The defrosting time and power level are automatically set once the food category and the weight are programmed..

- **JET DEF. (JET DEFROST)**

Touch to set defrosting time; the oven automatically divides the defrosting time into periods of alternating defrost and stand times by cycling on and off.

- **EXPRESS**

To start the oven quickly at full microwave power, you can press this button a number of times to indicate cooking time.

- **PRE-SET**

Delay start control allows you to put food into the oven and program it to start cooking at a later time.

- **MEMORY**

Use this button to set a multistage cooking program.

- **CLOCK**

Use to set the time of day or recall the time of day. The time of day will be displayed at all times except when the oven is operating. In the event of a power failure or if the oven is unplugged, the clock will have to be reset.

- **CANCEL(OR CLEAR)**

Touch to clear current setting or reset the system.

- **START**

Touch to start a cooking or defrosting program.

# HOW TO SET THE OVEN CONTROLS

Each time a button is touched, a beep will sound to acknowledge the touch.

## SETTING THE CLOCK

To enter the oven clock time,

1. Touch CLOCK button.
2. Touch CANCEL button.
3. Use the number pads to enter time. You must touch at least 3 numbers to set the clock (one for hour, and two for minutes).
4. Touch CLOCK button again to confirm.

This is a 12-hour clock. Default setting is 1:01 when the oven is plugged in.

You can check the clock time when cooking is in progress by touching the CLOCK button.

## SETTING COOKING TIME AND POWER

1. Touch TIME pad.
2. Use the number pads to set a cooking time.

You can set a cooking time from one second to 99 minutes and 99 seconds. If you are setting time greater than one minute, you must enter numbers for both minutes and seconds. For example, to set 20 minutes, enter 2,0,0,0.

If you want to set a power level other than 100% power, touch POWER,

Use the number pads to enter the power level. You can set the power level from 1 to 9. (Please check the following table).

Touch START to start cooking.

You can skip steps 3-4 if you are to cook with full power.

### \*\*\*\*\*SINGLE DIGITS TO REPRESENT POWER LEVEL\*\*\*\*\*

Press Number pad	Power Level
9	90% of total
8	80%
7	70%
6	60%
5	50%
4	40%
3	30%

2	20%
1	10%

## MULTI-STAGE COOKING

Some recipes may require setting a multi-stage program involving defrosting, and different power levels. The following example shows the steps in setting up such a program.

1. Touch CANCEL button to reset the system.
2. Input jet-defrost program.
3. Touch MEMORY button.
4. Input microwave-cooking program.
5. Touch MEMORY button again
6. Input another microwave cooking program with probably lower power level settings.
7. Touch START button.

### NOTE

Logically, JET DEFROST or WEIGHT DEFROST must proceed any cooking function in a multistage cooking program.

The respective lights will come on to indicate which stage the oven is operating in. After total time has elapsed, 3 beep sound.

## PRE-SET COOKING

You can put food in the oven, and program the oven to start up in a later time within the oven's clock cycle (12 hours).

Suppose you want to set the oven to start-up at 2 o'clock.

1. Place food in the oven
2. Touch PRE-SET button.
3. Touch number buttons 2,0,0.
4. Set a cooking program.
5. Touch START button.



## EXPRESS COOKING

With express cooking, you touch the EXPRESS button a number of times to state cooking time and the oven will work at full power level.

Touch Once	15 seconds
Touch Twice	30 seconds
Touch 3 Times	1 minute
Touch 4 Times	2 minutes

Suppose you want to set the oven to microwave for 1 minute at 100% power level.

1. Touch the EXPRESS button 3 times, "1:00" will appear in the display.
2. Touch START button.

## WEIGHT DEFROST

Automatically sets proper defrosting cycle once you have entered the weight of the food to be thawed. Maximum allowable weight for each category is shown below.

FOOD CATEGORY	MAXIMUM WEIGHT	DISPLAY
Meat	2300g	d1
Poultry	4000g	d2
Seafood	900g	d3

Suppose you want to defrost 600g shrimp.

1. Touch WEIGHT DEFROST button 3 times. "d3" will appear in the display.
2. Touch number buttons 6,0,0.
3. Touch START button.

### NOTE

During defrosting, two beeps will sound to remind you to open the oven door and rearrange or turn over the food for better defrosting performance.

The oven will not start if you happen to enter weight in excess of the maximum recommended.

For food exceeding these maximum weights, use the JET DEFROST program.

To serve as a reminder, after a cooking or defrosting function has completed, the oven makes beeps every two minutes until the door is opened or the CANCEL button is touched.

## JET DEFROST

JET DEFROST lets you customize defrosting time, you can use it to defrost food not covered, or its weight exceeds the max. Allowable by weight defrost.

Suppose you want to set the oven to JET DEFROST for 5 minutes and 30 seconds.

1. Touch JET DEFROST button.
2. Touch number buttons 5,3,0.
3. Touch START button.

## SETTING TIMER

To use the timer feature, do the following,

1. Touch TIME button.
2. Use number buttons to input needed time.
3. Touch POWER button.
4. Touch number button 0.
5. Touch START button.

### NOTE:

This additional feature is used for timing things done outside the oven. Three beeps will sound at the end of the elapsed time. The oven light and cooling fan will turn on while the time is counting down, but there is no microwave present.

## SAFETY LOCK

Use to prevent unsupervised operation of the oven by little children. The CHILD LOCK indicator will show up on display screen, and the oven can not be operated while the CHILD LOCK is set.

1. To set the CHILD LOCK: Press and hold the CANCEL button for 3 seconds, a beep sounds and LOCK indicator lights.
2. To cancel the CHILD LOCK: Press and hold the CANCEL button for 3 seconds until lock indicator on display goes off

## TO STOP THE OVEN DURING OPERATION

Open the door.

You can restart the oven by closing the door and touching START button.

**NOTE: Oven stops operating the moment when door is opened.**

## CLEANING AND CARE

1. Turn off the oven and remove the power plug from the wall socket before cleaning.
2. Keep the inside of the oven clean. When food splatters or spilled liquids adhere to oven walls, wipe with a damp cloth. Mild detergent may be used if the oven gets very dirty. Avoid the use of spray and other harsh cleaners as they may stain, streak or dull the door surface.
3. The outside surfaces should be cleaned with a damp cloth. To prevent damage to the operating parts inside the oven, water should not be allowed to seep into the ventilation openings.
4. Wipe the door and window on both sides, the door seals and adjacent parts frequently with a damp cloth to remove any spills or splatters. Do not use abrasive cleaner.
5. Do not allow the control panel to become wet. Clean with a soft, damp cloth. When cleaning the control panel, leave oven door open to prevent oven from accidentally turning on.
6. If steam accumulates inside or around the outside of the oven door, wipe with a soft cloth. This may occur when the microwave oven is operated under high humidity condition. And it is normal.
7. It is occasionally necessary to remove the glass tray for cleaning. Wash the tray in warm sudsy water or in a dishwasher.
8. The roller ring and oven floor should be cleaned regularly to avoid excessive noise. Simply wipe the bottom surface of the oven with mild detergent. The roller ring may be washed in mild sudsy water or dishwasher. When removing the roller ring from cavity floor for cleaning, be sure to replace in the proper position.
9. Remove odors from your oven by combining a cup of water with the juice and skin of one lemon in a deep microwaveable bowl, microwave for 5 minutes. Wipe thoroughly and dry with a soft cloth.
10. When it becomes necessary to replace the oven light, please consult a dealer to have it replaced.
11. The oven should be cleaned regularly and any food deposits removed. Failure to maintain the oven in a clean condition could lead to deterioration of the surface that could adversely affect the life of the appliance and possibly result in a hazardous situation.
12. Please do not dispose this appliance into the domestic rubbish bin, it should be disposed to the particular disposal center provided by the municipalities.

## Free Manuals Download Website

<http://myh66.com>

<http://usermanuals.us>

<http://www.somanuals.com>

<http://www.4manuals.cc>

<http://www.manual-lib.com>

<http://www.404manual.com>

<http://www.luxmanual.com>

<http://aubethermostatmanual.com>

Golf course search by state

<http://golfingnear.com>

Email search by domain

<http://emailbydomain.com>

Auto manuals search

<http://auto.somanuals.com>

TV manuals search

<http://tv.somanuals.com>