

SERVICE PARTS LIST

CUSTOMER NAME: SANYO FISHER

MODEL NAME : SR-361W

ITEM NO.	PART NO.	PART NAME	QTY.	PRICE
1	8332320151500	Door Liner	1	
2	8330331651800	Gasket Assembly	1	
3	8332331052900	Mascot	1	
4	8332330150201	Handle A	1	
5	833N310250902	Foamed Door	1	
6	SFSHY50120SE-	Bolt #119	3	
7	8330132050700	Hinge Top Assy	1	
8	8332133050400	Ccver Hinge Top	1	
9	8332232211600	Grommet Evap. Door	2	
10	8312230514697	Evaporator Door	1	
11	8334233C50101	Thermostat	1	
12	S1440100001000	Tapping Screw 023	31	
13	8332612050100	Knob Thermo	1	
14	8330132050800	Hinge Bottom	1	
16	8312430970000	Bolt, 050	1	
17	8332111050000	Leg	2	
18	4243C24500	Power Cord	1	
19	8312532784100	Cord Clamp	1	
20	8332530850100	Cover, Wire Splicer	1	
21	S0440080001T00	Machine Screw	1	

SERVICE PARTS LIST

CUSTOMER NAME: SANYO FISHER

MODEL NAME : SR-361W

ITEM NO.	PART NO.	PART NAME	QTY.	PRICE
22	SFSHY50120SE-	Bolt	4	
23	8332120150200	Plate Cabinet Base	1	
24	OBC2892600100	Clip, Relay Cover	1	
25	OBC2533800100	Cover, Relay	1	
26	8334204C50500	PTC Thermistor	1	
27	4BC4S20000500	Overload Protector	1	
28	3903000516	Clamp	1	
29	8330410251200	Condenser	1	
30	8312433184800	Plate Support Condenser	3	
31	8310410191073	Evaporator Assembly	1	
33	8332320250911	D-Shelf Trim	2	
34	8332322150100	D-Shelf Bush L	1	
35	8332322150200	D-Shelf Bush R	1	
36	S0440080001T00	Machine Screw 026	2	
37	8332432750200	Clamp Thermo Bulb	1	
38	8330420250700	Dryer 8gr	1	
39	8312430970000	Bolt 050	4	
40	8312430683100	Grommet Comp.Mtg	3	
41	OBC8035715210	Compressor	1	
42	8312221482371	Ice Cube Tray	2	

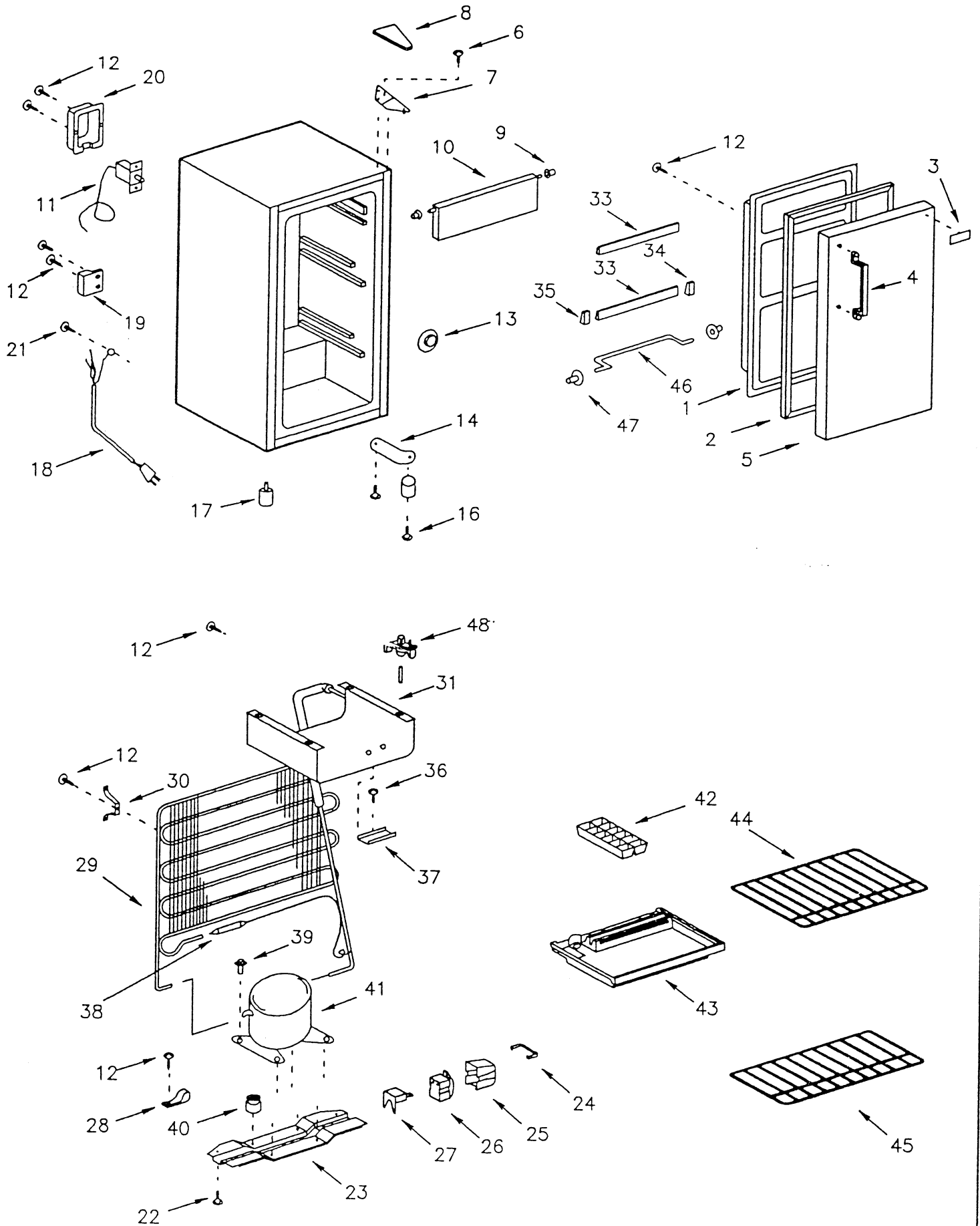
SERVICE PARTS LIST

CUSTOMER NAME: SANYO FISHER

MODEL NAME : SR-361W

ITEM NO	PART NO.	PART NAME	QTY	PRICE
43	8332220250700	Drip Tray	1	
44	8312220592171	Shelf, Upper	2	
45	8312220592271	Shelf, Lower	1	
46	8332320350300	Panel Bar	1	
47	8312322180100	Door Shelf Bushing	2	
48	8319232500100	Evap. Bracket w/pin	1	
PARTS NOT SHOWN				
	8002530811400	Nylon Cable	1	
	8332330150301	Handle B	1	
	8332532650200	Clip Wire	1	
	S31050160001GT	027 Bolt	3	
	8336451950211	Warranty Card	1	
	8336460140000	Owners Manual	1	
	8336460640100	FTC Label	1	

SERVICE PARTS



Free Manuals Download Website

<http://myh66.com>

<http://usermanuals.us>

<http://www.somanuals.com>

<http://www.4manuals.cc>

<http://www.manual-lib.com>

<http://www.404manual.com>

<http://www.luxmanual.com>

<http://aubethermostatmanual.com>

Golf course search by state

<http://golfingnear.com>

Email search by domain

<http://emailbydomain.com>

Auto manuals search

<http://auto.somanuals.com>

TV manuals search

<http://tv.somanuals.com>