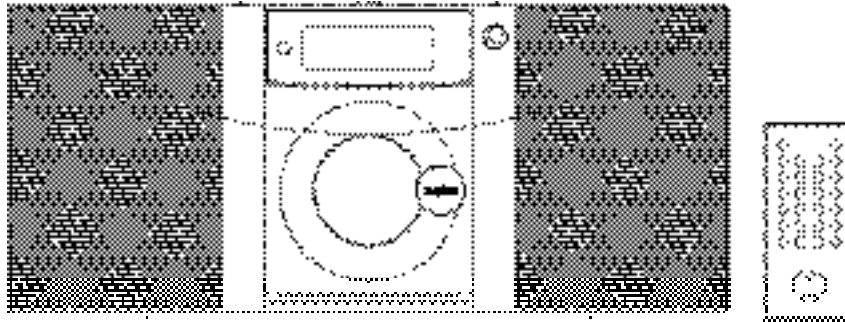




**Desktop Audio System
with Under-Cupboard
and Wall Mounting Option**

DTA-1800

Instruction Manual



SANYO Canada Inc.

www.sanyocanada.com

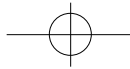
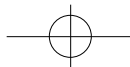


TABLE OF CONTENTS

INTRODUCTION	3
SAFETY INSTRUCTIONS	3
INSTALLATION	6
CONTROLS AND THEIR FUNCTIONS	8
REMOTE CONTROL	10
Battery installation	
Controls	
BASIC OPERATION	12
Power on/off	
Volume control	
Muting function	
Switching the display	
CLOCK/TIMER	13
Setting the clock	
Wake Timer on/off setting	
Timer on setting	
Timer off setting	
SureWake function	
Sleep Timer setting	
Snooze function	
AM/FM TUNER	16
Listening to the radio	
Storing preset stations	
Recalling preset station	
Preset equalization	
CD PLAYER	17
Playing compact discs	
CD skip and search function	
Repeat a track or disc	
Intro play function	
Programmed play	
Review the programs	
Clear the programs	
CARE AND MAINTENANCE	19
Compact disc care	
Cleaning the unit	
SPECIFICATIONS	19
TROUBLESHOOTING GUIDE	20
Tuner	
CD player	
SANYO COMFORT WARRANTY	21





INTRODUCTION

Thank-you for choosing Sanyo. This compact home audio system comes with a built-in CD player, AM/FM stereo receiver, clock/alarm/kitchen timer, and a separate full-function remote control that can be neatly stored in its own holder. This Sanyo unit is uniquely designed to operate in a vertical or out-of-the-way horizontal position. The slim design of this system, which comes with a detachable folding bracket for mounting, allows for great versatility in your home or office. It can be:

- Placed upright on a counter or shelf.
- Mounted on a wall.
- Mounted under a shelf or cupboard.

SAFETY INSTRUCTIONS

WARNING: TO REDUCE THE RISK OF FIRE OR SHOCK HAZARD, DO NOT EXPOSE THIS PRODUCT TO RAIN OR MOISTURE.

	CAUTION RISK OF ELECTRIC SHOCK. DO NOT OPEN CASE.	
<p>CAUTION: TO PREVENT THE RISK OF ELECTRIC SHOCK, DO NOT REMOVE COVER OR BACK. NO USER-SERVICEABLE PARTS INSIDE. REFER SERVICING TO QUALIFIED PERSONNEL.</p>		



This symbol alerts you to the presence of uninsulated dangerous voltage within the product's case that might be of sufficient magnitude to risk electric shock. Do not open the product's case.



This symbol indicates that important operating and maintenance instructions are included in the literature accompanying this product.

CAUTION

TO PREVENT ELECTRIC SHOCK, MATCH WIDE BLADE OF PLUG TO WIDE SLOT. FULLY INSERT.

DRIPPING WARNING

The unit should not be exposed to dripping or splashing, and no objects filled with liquids, such as vases, should be placed on the unit.

VENTILATION WARNING

Normal ventilation for the product should not be blocked.



This CD player is made and tested to meet exacting safety standards. It meets FCC requirements and complies with the safety performance standards of the U.S. Department of Health and Human Service.

Warnings:

- This CD player employs a laser light beam. Only a qualified service person should remove the cover or attempt to service this device, to prevent possible eye injury.
- The use of controls, adjustments, or procedures other than those specified herein could result in hazardous radiation exposure.

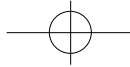
CAUTION:

This compact disc player is classified as a CLASS 1 LASER product.

The CLASS 1 LASER PRODUCT label is located on the rear panel.


CAUTION!

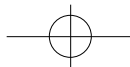
Invisible laser radiation when the door is open and the protective interlock feature has automatically shut off. Avoid exposure to beam.

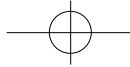


SAFETY INSTRUCTIONS

IMPORTANT SAFETY INSTRUCTIONS

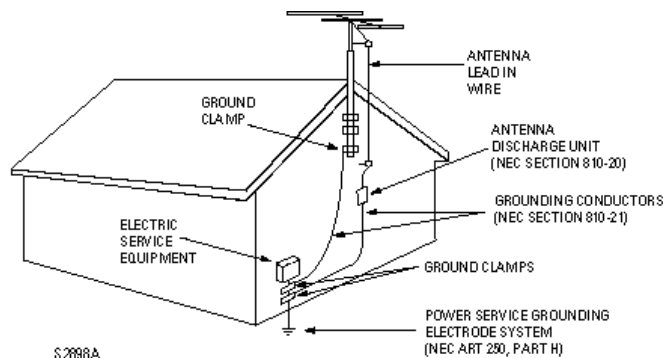
1. **Read instructions** – All the safety and operating instructions should be read before the product is operated.
2. **Retain instructions** – The safety and operating instructions should be retained for future reference.
3. **Heed warnings** – All warnings on the product and in the operating instructions should be adhered to.
4. **Follow instructions** – All operating and use instructions should be followed.
5. **Cleaning** – Unplug this product from the wall outlet before cleaning. Do not use liquid cleaner or aerosol cleaners. Use a damp cloth only.
6. **Attachments** – Do not use attachments not recommended by the product manufacturer as they may cause hazards.
7. **Water and moisture** – Do not use this product near water – for example, near a bath tub, wash bowl, kitchen sink, or laundry tub, in a wet basement, or near swimming pool, etc.
8. **Accessories** – Do not place this product on an unstable cart, stand, tripod, bracket, or table. The product may fall, causing serious injury to a child or adult, and serious damage to the product. Use only with the cart, stand, tripod, bracket or table recommended by the manufacturer or sold with the product. Any mounting of the product should follow the manufacturer's instructions.
9. A product and cart combination should be moved with care. Quick stops, excessive force, and uneven surfaces may cause the product and cart combination to overturn.
10. **Ventilation** – Slots and openings in the cabinet are provided for ventilation and to ensure reliable operation of the unit, protecting it from overheating. These openings must not be blocked or covered, for example, by placing the unit on a bed, sofa, rug or other similar surface. Do not place the unit in a built-in installation such as a bookcase or rack unless proper ventilation is provided according to the manufacturer's instructions.
11. **Power sources** – This product should be operated using only the type of power source indicated on the marking label. If you are not sure of the type of power supply to your home, consult your local power company. For products intended to operate from battery power or other sources, refer to the operating instructions.
12. **Power-cord protection** – Power supply cords should be routed so that they are not likely to be walked on or pinched by items placed on or against them, paying particular attention to the cords where they connect to plugs, convenience receptacles, and the point at which they connect to the product.
13. **Outdoor antenna grounding** – If an outside antenna is connected to the receiver, be sure the antenna system is grounded so as to provide some protection against voltage surges and built-up static charges. Article 810 of the National Electrical Code, ANSI/NFPA 70, provides information with regard to proper grounding of the mast and supporting structure, grounding of the lead-in wire to an antenna-discharge unit, size of grounding conductors, location of antenna-discharge unit, connection to grounding electrodes, and requirements for the grounding electrode. See figure:
 
14. **Lightning** – For added protection for this product during a lightning storm, or when it is left unattended and unused for long periods of time, unplug it from the wall outlet and disconnect the antenna or cable system. This will prevent damage to the product due to lightning and power line surges.
15. **Power lines** – An outside antenna system should be located in the vicinity of overhead power lines or other electric light or power circuits, or where it can fall into such power lines or circuits. When installing an outside antenna system, extreme care should be taken to avoid touching such power lines or circuits, as contact with them could be fatal.



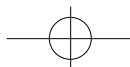


SAFETY INSTRUCTIONS

16. **Overloading** – Do not overload wall outlets, extension cords, or integral convenience receptacles, to avoid the risk of fire or electric shock.
17. **Object and liquid entry** – Never push objects of any kind into this product through openings as they may touch dangerous voltage points or short-out parts, which could result in a fire or electric shock. Never spill liquid of any kind on the product.
18. **Servicing** – Do not attempt to service this product yourself, as opening or removing covers may expose you to dangerous voltage or other hazards. Refer all servicing to qualified service personnel.
19. **Damage requiring service** – Unplug this product from the wall outlet and refer servicing to qualified service personnel under the following conditions:
 - a) When the power-supply cord or plug is damaged,
 - b) If liquid has been spilled, or objects have fallen into the product,
 - c) If the product has been exposed to rain or water,
 - d) If the product does not operate normally by following the operating instructions. Adjust only those controls that are covered by the operating instructions, as an adjustment of other controls may result in damage and will often require extensive work by a qualified technician to restore the product to its normal operation.
 - e) If the product has been dropped or damaged in any way,
 - f) If the product exhibits a drastic change in performance.
20. **Replacement parts** – When replacement parts are required, be sure the service technician has used replacement parts that have been specified by the manufacturer or that have the same specifications as the original parts. Unauthorized substitutions may result in fire, electric shock, or other hazards.
21. **Safety check** – Upon completion of any service or repairs to this product, ask the service technician to perform safety checks to determine that the product is in proper operating condition.
22. **Wall or ceiling mounting** – The product should be mounted to a wall or ceiling only as recommended by the manufacturer.
23. **Heat** – The product should be situated away from heat sources such as radiators, heat registers, stoves, or other objects (including amplifiers) that produce heat.
24. **Nonuse periods** – Unplug the product's power cord when you will not be using it for an extended period.



NEC - NATIONAL ELECTRICAL CODE

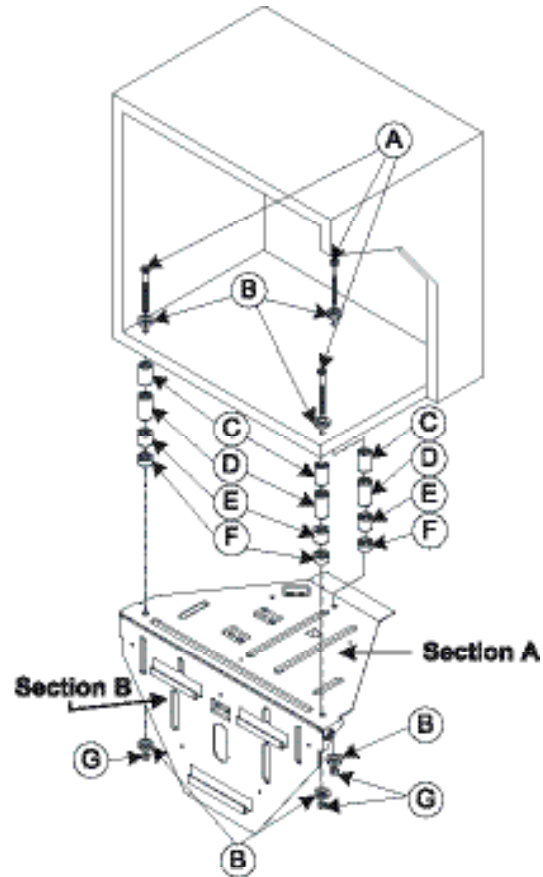


INSTALLATION

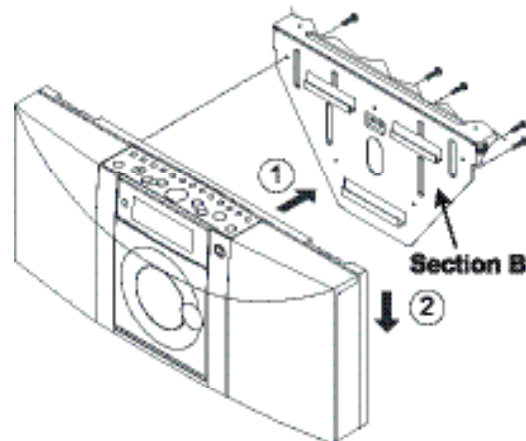
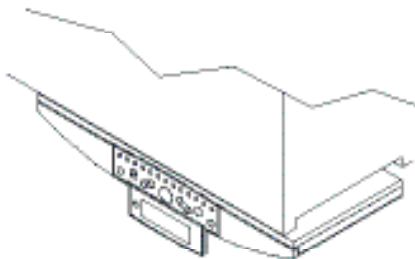
Wall/under-cupboard mounting

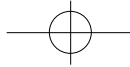
1. Attach Section A of the bracket onto the wall or underside of the cupboard with 3 mounting screws (A), washers (B), and nuts (supplied).
2. If the cabinet bottom has a valance for fluorescent lights, etc., you will need 1 or more of the supplied spacers (C, D, E, F) to mount the unit flush with the front of the lowest surface.
3. Insert the system into Section B as shown with arrow (1), and slide it down as shown with arrow (2).
4. Attach the unit onto Section B with 5 mounting screws (supplied).

Item	Description	Q'ty
A	Screw MF M5.0 x 70 mm	3 pcs
B	Washer 15.2 x 3.0 mm	6 pcs
C	Spacer 13.6 x 19.5 mm	6 pcs
D	Spacer 14.5 x 27 mm	3 pcs
E	Spacer 15 x 14.5 mm	3 pcs
F	Spacer 15.2 x 8.5 mm	3 pcs
G	Screw Nut	3 pcs



The unit can now be raised with the hinges of the bracket so that it fits under your cabinet with the controls and the display clearly visible.

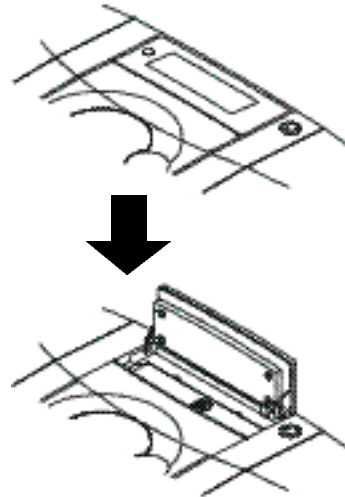




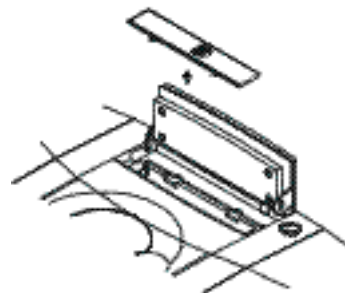
BACK-UP BATTERY INSTALLATION

Insert 2 AA batteries (not supplied) to maintain timer and tuner/CD programming in case of power failure.

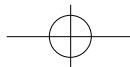
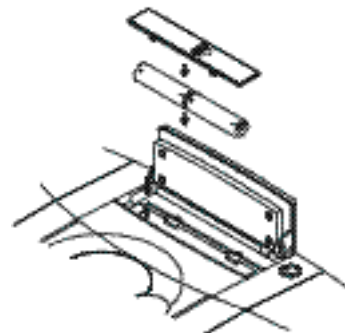
1. Press the **DISPLA Y** button to open the display window.



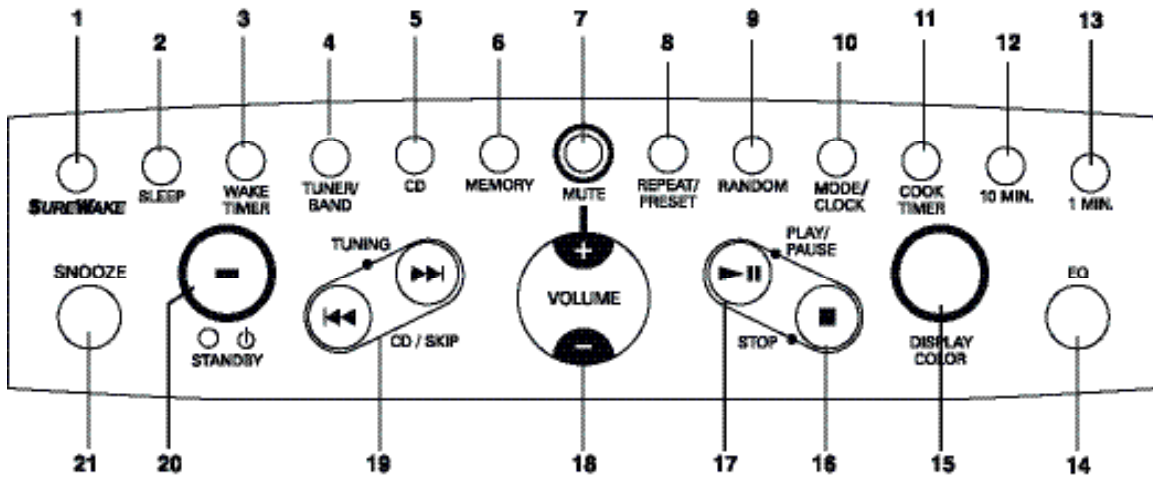
2. Slide to open the battery cover.



3. Insert 2 x AA size batteries. Close the battery cover, and press down on the display window until locked.



CONTROLS AND THEIR FUNCTIONS



1. SUREWAKE button
Turns on the SureWake function.

2. SLEEP button
Sets the Sleep Timer that automatically turns off the unit.

3. WAKE TIMER button
Sets the Wake Timer. The unit turns on and off automatically when set.

4. TUNER/BAND button
Sets to tuner (radio) mode and selects the AM or FM band.

5. CD button
Sets to CD play mode.

6. MEMORY button
Sets the tuner memory, and is used for CD programming and clock setting.

7. MUTE button
Turns off the sound only.

8. REPEAT/PRESET button

- CD mode: starts repeat play.
- Tuner mode: selects preset stations.

9. RANDOM button
Plays the tracks in random order.

10. CLOCK/MODE button
Toggles display modes.
Used to set the clock and Wake Timer.

11. COOK TIMER button
Starts the Cook Timer countdown.

12. 10 MIN button
Sets the Cook Timer for 10 minutes per step.

13. 1 MIN button
Sets the Cook Timer for 1 minute per step.

14. EQ button
Selects the desired sound effect: FLAT, ROCK, JAZZ, POP or CLASSIC.

15. DISPLAY COLOR button
Selects the display backlit color:
Auto/Blue/Green/Red.

16. STOP button
Stops the CD play/clears the CD program.

CONTROLS AND THEIR FUNCTIONS

17. PLAY/PAUSE button

Starts or pauses the CD.

18. VOLUME UP + and DOWN - button

Adjusts the volume.

19. TUNING CD/SKIP button

(◀ and ▶)

- CD mode: forward/backward track skip or search.
- Tuner mode: forward/backward manual tuning or station search.

20. POWER ON/STANDBY button

Switches the system on or off.

21. SNOOZE button

Turns off the sound temporarily.

22. Left speaker

23. Remote sensor

24. Display

Shows clock/timer status and current CD/tuner reading.

25. Battery compartment

Insert 2 x AA batteries behind display for clock and tuner memory back-up.

26. Display button

Opens the display door to replace batteries.

27. Right speaker

28. EJECT button

Opens the CD door.

29. CD door

30. Remote control holder

31. Subwoofer jack

For connection to a subwoofer (optional) for extended bass output.

32. DC jack (12V)

Connect the supplied AC adapter or optional car/boat adapter here.

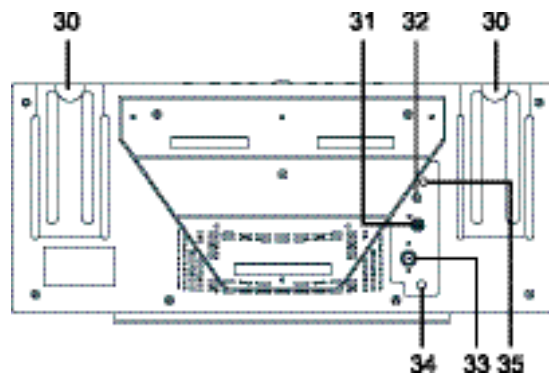
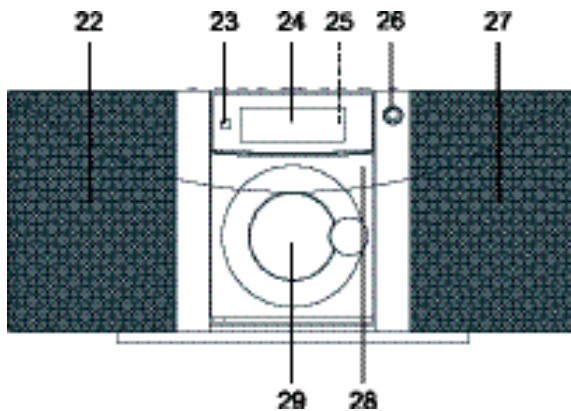
33. FM antenna

34. Headphone jack (3.5 mm)

35. RESET button

If the functions "freeze up," or the display shows no or wrong information, press the **RESET** button with a sharp object such as a needle or pin.

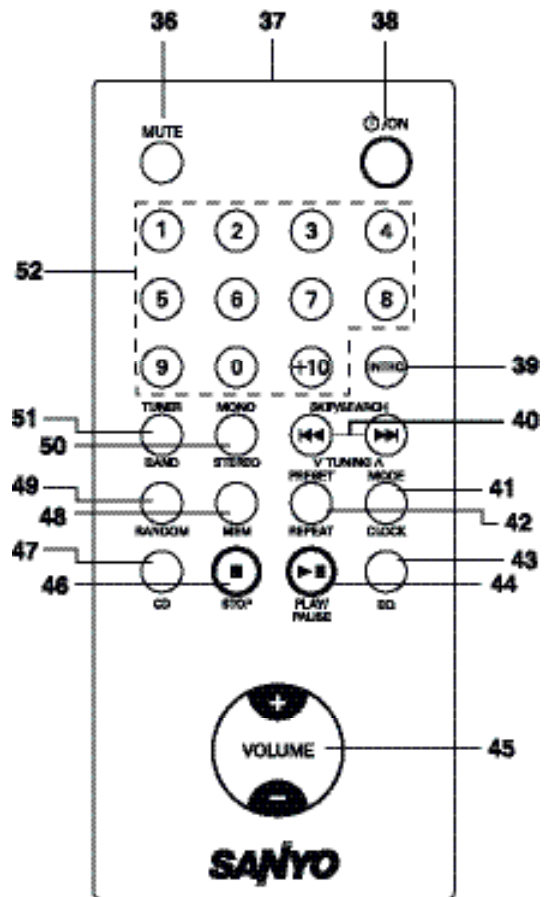
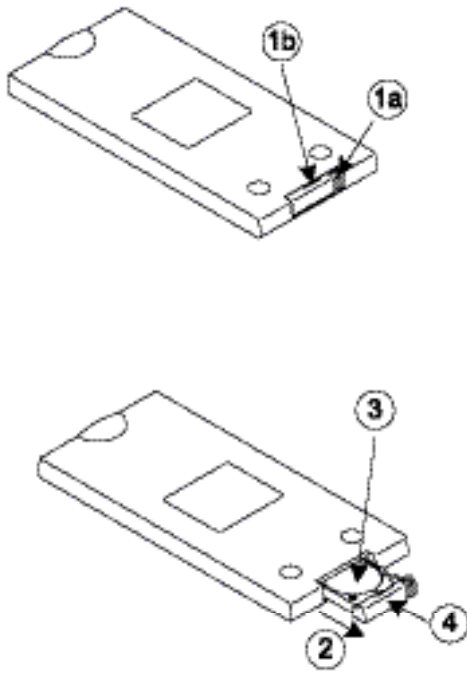
Note : Clock and tuner memory will be lost when **RESET** is pressed.



REMOTE CONTROL

Battery Installation

1. Remove the battery tray by pressing 1a towards 1b; then slide 1b out at the same time.
2. Pull out the battery tray.
3. Install the button-type battery CR2032 (supplied).
4. Close the battery tray.



REMOTE CONTROL

CONTROLS

36. MUTE button
Switches off the sound.

37. Signal transmitter

38. ON button
Switches the system on or off.

39. INTRO button
Plays 10 seconds of each CD track.

40. SKIP button

- CD mode: Forward or backward CD title selection/search.
- Tuner mode: Forward or backward manual tuning/station to station search.

41. MODE/CLOCK button
Toggles the display contents.

42. REPEAT/PRESET button

- CD mode: starts repeat play.
- Tuner mode: Selects the programmed stations in increasing order.

43. EQ button
Selects FLAT, ROCK, JAZZ, POP or CLASSIC sound effects.

44. PLAY/PAUSE button
Starts or pauses the CD play.

45. VOLUME UP + and DOWN - button
Adjusts the volume.

46. STOP button
Stops the CD play/clears the CD program.

47. CD button
Activates the CD operating mode.

48. MEM button
Tuner memory/CD program/Clock setting functions.

49. RANDOM button
Plays the tracks in random order.

50. MONO/STEREO button
Stereo/mono switching for FM stations.

51. TUNER/BAND button
Selects Tuner (radio) mode and the reception band.

51. 0 - 9, +10 Numeric buttons

- Tuner mode: recalls preset stations
- CD mode: recalls CD tracks.

BASIC OPERATION

POWER ON/OFF

When the supplied AC adapter is first connected, the clock display will flash. To set the clock, see page 13.

1. To turn the power on, press **POWER** on the remote or **STANDBY** on the unit. The display lights up.

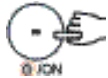


2. Press either **TUNER/BAND** to play the radio or **CD** to play a CD.

Example: FM mode



3. To turn the power off, press **POWER** on the remote or **STANDBY** on the unit. The display light goes off.



NOTE: Please turn off the unit before disconnecting the main power supply.

VOLUME CONTROL



1. Press **VOL-DOWN (-)** to reduce the volume; the volume level will be shown in the LCD display.
2. Press **VOL-UP (+)** to increase the volume.
3. Hold down the button for a continuous increase or decrease in the volume.

MUTING FUNCTION

1. Press **MUTE** to mute the audio output.
2. Press the button once more to set the volume to the original level.

NOTE:

- Vol 0 is indicated for 1 second, and then it returns to the original display.
- Vol 0 will appear once every 4 seconds



SWITCHING THE DISPLAY

The display is multi-functional and shows a variety of information.

Press the **MODE/CLOCK** button to toggle the display contents.

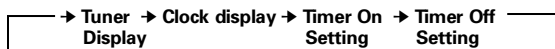
Power off mode:



CD mode:



TUNER mode:

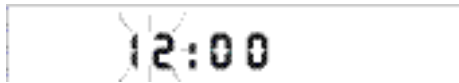


CLOCK/TIMER

SETTING THE CLOCK

When the unit is first connected to the supplied AC adapter, the display shows AM 12:00. To set the clock to the correct time, proceed as follows. Please note: proceed to the next step within 5 seconds or the system reverts automatically to step 1.

1. With the unit turned off, press **MEMORY** once, and the hour digits flash.



2. Press the **CD SKIP** |◀◀ or ▶▶| buttons to adjust the hour. Be sure to set the hour correctly for AM or PM.



3. Press **MEMORY** again, and the minute digits flash.
4. Press **CD SKIP** |◀◀ or ▶▶| to adjust the minutes.
5. Press **MEMORY** once more; the display stops flashing and the clock has been set.



WAKE TIMER ON/OFF SETTING

NOTE: Set the clock before setting the Wake Timer

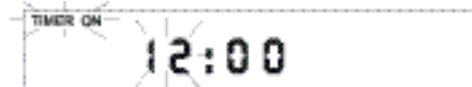
TIMER ON (wake-up time) Setting

Example: You wish to set the unit to come on at 7:30:

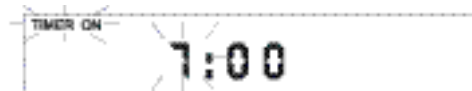
1. Press **MODE/CLOCK** until the **TIMER ON** indicator in the upper left of the display flashes.



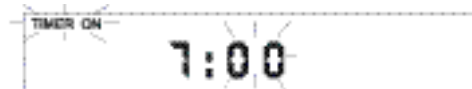
2. Press **MEMORY** once, and the hour digits flash.



3. Press the **CD SKIP** |◀◀ or ▶▶| buttons to set the hour to 7:00. Be sure to set the hour correctly for AM or PM.



4. Press **MEMORY** again, and the minute digits flash.



5. Press the **CD SKIP** |◀◀ or ▶▶| buttons to set the minutes to 30.



CLOCK/TIMER

- Press **MEMORY** button once more, and the **TIMER ON** has been set. The **ON** indicator stops flashing to confirm that the setting has been made.



To cancel the Timer On setting:

Press **MODE/CLOCK** several times until **TIMER** is flashing and **ON** is not. Then press **WAKE TIMER** until **TIMER ON** is flashing.

TIMER OFF (shut-off time) Setting

Example: You wish to set the unit to shut off at 8:30 a.m.

- Press **MODE/CLOCK** once, and the **TIMER OFF** indicator flashes.



- Press **MEMORY** once, and the hour digits flash.



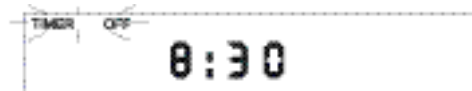
- Press the **CD SKIP** forward or backward buttons to set the hour to 8:00. Be sure to set the hour correctly for AM or PM.



- Press **MEMORY** again, and the minute digits flash.



- Press the **CD SKIP** forward or backward buttons to set the minutes to 30.



- Press **MEMORY** once more, and the **TIMER OFF** has been set. The **OFF** display stops flashing to confirm that the setting has been made.



To cancel the Timer Off setting:

Press **MODE/CLOCK** several times until **TIMER** is flashing and **OFF** is not. Then press **WAKE TIMER** until **TIMER OFF** is flashing.

SUREWAKE FUNCTION

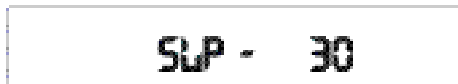
This feature lets you adjust the night-time listening volume as desired without affecting the wake-up volume. In the morning, SureWake starts the music quietly and then increases the volume to room level to make sure you are awake.

- Set the timer, as in the previous section.
- Press **SUREWAKE**.
- To cancel, press **SUREWAKE** again.

CLOCK/TIMER

SLEEP TIMER SETTING

1. Turn the unit on.
2. Press **SLEEP** once or more. The sleep time display changes from 10 minutes up to 90 minutes, as shown below.



3. When the desired time appears, release the button to set the Sleep Timer.

To cancel the Sleep Timer:

Continue to press the button until it returns to 0 (after the 90-minute display.)

NOTE: To use the Sleep Timer with the built-in CD player, set Sleep Timer before starting CD operation.

SNOOZE FUNCTION

When the unit has switched itself on by means of the Wake Timer, press **SNOOZE** to switch the sound off for approximately 5 minutes. When the unit switches itself on again, you can press **SNOOZE** again for another 5 minutes or switch the unit off with **POWER ON/ST ANDBY**.

COOK TIMER SETTING

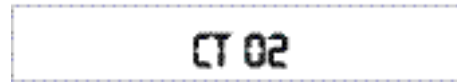
1. Press the **10 MIN** or **1 MIN** buttons to reach the desired number of minutes.



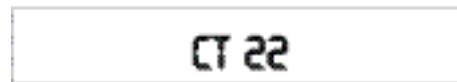
2. Press **COOK TIMER** to start the Cook Timer countdown.

For example, to set 22 minutes:

1. Press **1 MIN** two times.



2. Press **10 MIN** two times.



3. Press **COOK TIMER** to start.

NOTE:

- Press **10 MIN** to change the display back to the current functional mode.
- When the time is up, the buzzer will sound for 60 seconds and revert to functional display.
- To stop the alarm, press either **COOK TIMER**, **10 MIN**, or **1 MIN**.
- To stop the countdown, press **10 MIN**, changing the display mode to the current functional display. Then press **COOK TIMER** to stop the countdown.
- You can set Cook Timer for up to 99 minutes.

AM/FM TUNER

LISTENING TO THE RADIO

1. Press **POWER/STANDBY** to turn the system ON.



2. Press **TUNER** to select the radio function.
3. Press **BAND** once or twice to select AM or FM band.



4. Press the **TUNING** forward or backward buttons to tune to the desired station.



Manual Tuning – Press and hold the **TUNING** ◀◀ or ▶▶ buttons until the display approaches the desired station. Then press the buttons until the display shows the exact frequency.

Auto tuning – Press the **TUNING** ◀◀ or ▶▶ buttons momentarily and release. The reading moves up or down to the next available station.

5. To shut the system off, press **POWER/STANDBY**.

STORING PRESET STATIONS

The unit enables you to program 20 FM stations and 12 AM stations.

1. Tune to the station you wish to store.



2. Press **MEMORY** once, and -- begins flashing.



3. Press **REPEAT/PRESET** repeatedly to assign the desired preset number.



4. Press **MEMORY** again. The station is stored.



5. To store other stations, repeat the above steps.

RECALLING PRESET STATIONS

Press **PRESET** repeatedly to select the desired station.

SOUND EQUALIZATION

Press **EQ** repeatedly to cycle through the preset sound options on the display – FLAT, ROCK, JAZZ, POP and CLASSIC.

FM ANTENNA

Stretch the supplied antenna (33) if stronger reception is required. For non-local stations, connect a suitable external antenna (disconnect the supplied antenna and store for possible later use.)

CD PLAYER

PLAYING COMPACT DISCS

1. Turn on the power and press **CD** to select the CD mode.

Reading TOC



2. If there is no CD inside, a **DISC** display will appear.



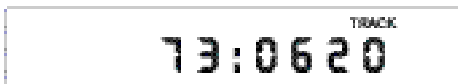
Loading a disc

1. Press **EJECT** on the CD door to open.



2. Insert a disc and then push **EJECT** to close the CD door. The display shows the total number of tracks and the timing. Ensure that the disc is correctly mounted on the spindle and locked in place.

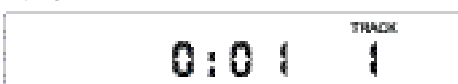
After reading TOC



Playing the disc

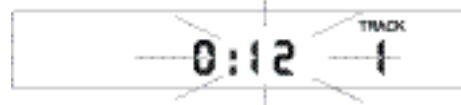
Press **PLAY/PAUSE** to play the CD.

Playing Track 1



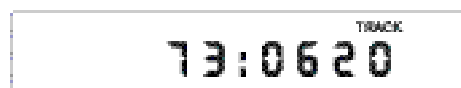
Pausing the disc

Press **PLAY/PAUSE** while the disc is playing, and the playing time will flash.



Stopping the disc

Press **STOP**.



CD SKIP AND SEARCH FUNCTION

Skip Function

Press the **CD SKIP** **◀◀** or **▶▶** buttons momentarily during Play mode or Stop mode.



While the CD is playing:

- Press **◀◀** once: Back to the beginning of the current track.
- Press **◀◀** twice: Back to the previous track.
- Press **▶▶** once: Skip to the next track.

While the CD is stopped:

- Press **◀◀** once: Skip to the previous track.
- Press **▶▶** once: Skip to the next track.

Search function

Press and hold **CD/SKIP** during playback.

- Press **◀◀** and hold: Fast backward search begins.
- Press **▶▶** and hold: Fast forward search begins.

NOTE: During the search mode, low level audio is heard to assist in locating the exact location on the track.

CD PLAYER

REPEAT A TRACK OR DISC

Press **REPEAT/PRESET** once, and the current track will be repeated "one-track repeat" will be active.)

One track repeat (flashing)



Press **REPEAT/PRESET** twice, and all tracks will be repeated.

All track repeat



To cancel the repeat function, press **REPEAT/PRESET** once more.

RANDOM PLAY FUNCTION

Press **RANDOM** during either the CD play or the stop mode. All of the tracks on the CD will play in a random order.



To cancel random play, press **RANDOM** once more.

Note: Once the CD program is set, pressing **RANDOM** will delete the program.

INTRO PLAY FUNCTION

In the stop mode, press **INTRO** on the remote to begin intro playing; the first 10 seconds of each track will be played.

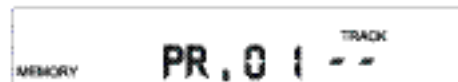
Press **INTRO** again to change to normal playing mode.



PROGRAMMED PLAY

The CD player enables you to program up to 16 tracks in a sequence of your choice. With the unit turned on,

1. Select the CD Stop mode.
3. Press **MEMORY** one time.



4. Press the **SKIP** forward or backward buttons to select the desired track to be programmed.



5. Press **MEMORY** again; then the chosen track is stored.
6. Continue to program, repeating steps 2 and 3.

Review the Programs

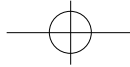
Press **MEMORY** repeatedly. The track number programmed on each program number will be displayed.

7. Press **PLAY/PAUSE** to play the tracks in the programmed order.

Note: If the program already exists, press **MEMORY** and then press **PLAY/PAUSE**, and the program play will begin.

Clear the Programs

In Stop mode, press **MEMORY** once and then press **STOP**. The preset programs will be cancelled.



CARE & MAINTENANCE

COMPACT DISC CARE

- Treat the disc carefully. Handle the disc only by its edges. Never allow your fingers to come in contact with the shiny, unprinted side of the disc.
- Treat the disc carefully. Handle the disc only by its edges. Never allow your fingers to come in contact with the shiny, unprinted side of the disc. • To remove a disc from its storage case, press down on the center of the case and lift it out, holding it carefully by the edges.
- Do not attach adhesive tape, stickers etc., to the disc label.
- Clean the disc periodically with a soft, lint-free, dry cloth.
- Never use detergents or adhesive cleaners to clean the disc.
- When cleaning the disc, wipe in straight lines from the center of the disc to the edge. Never wipe in a circular motion.
- Unlike conventional records, compact discs have no grooves to collect dust and microscopic debris, so gently wiping with a soft cloth should remove most particles.
- If necessary, use a CD cleaning kit.
- If the disc skips or is stuck on a track, it is probably dirty or damaged (scratched).



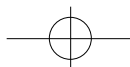
CLEANING THE UNIT

- To prevent fire or shock hazards, disconnect your unit from the AC power source when cleaning.
- If the cabinet becomes dusty, wipe it with a soft, dry dust cloth. Do not use any wax or polish sprays on the cabinet.
- Use caution when cleaning and wiping the plastic parts.
- If the front panel becomes dirty or smudged with fingerprints it may be cleaned with a soft cloth, slightly dampened with a mild soap and water solution. Never use abrasive cloths or polishes, as these will mar the finish of your unit.

Caution: never allow any water or other liquids to enter the unit while cleaning.

SPECIFICATIONS

Power supply	DC 12 V
AC Adapter	AC 120 V, 60 Hz
Power output	DC 3 V (1.5V x 2 AA batteries for tuner and clock memory) 4.5W/CH, 10% THD
Radio Section	Tuning: PLL with 32 presets (FM 20, AM 12) Freq. Range: AM 520 - 1710 kHz FM 87.5 - 107.9 MHz
CD Section	Front vertical loading
Speakers	3.5", 3.2 ohms
Remote Control	28-key, Battery: CR2032 (supplied)
Dimensions	454 x 96 x 200 mm (main unit)



TROUBLESHOOTING GUIDE

Symptom	Possible Cause and Solution
Radio	
Noise or sound distorted on AM or FM broadcasts.	Station not tuned properly for AM or FM. <ul style="list-style-type: none"> • Tune to the AM or FM broadcast station. • FM : Adjust antenna. • AM: Rotate unit until best reception is obtained
No sound from either AM or FM.	TUNER button is not pressed. <ul style="list-style-type: none"> • Press TUNER button.
CD Player	
Disc does not play.	CD button is not pressed. <ul style="list-style-type: none"> • Press the CD button. Disc is not inserted, or is inserted incorrectly. <ul style="list-style-type: none"> • Insert disc with label side out.
CD skips while playing.	Disc is dirty or scratched. <ul style="list-style-type: none"> • Wipe disc with cloth or use another disc.
Disc is inserted but skips or will not play.	Disc inserted upside down. <ul style="list-style-type: none"> • Insert disc properly. • Disc is dirty - clean disc • Disc is non-standard - Use correct disc.

SANYO COMFORT WARRANTY

WARRANTY APPLICATION

New, unused Sanyo Audio products purchased through a Sanyo authorized dealer in Canada are warranted against manufacturing defects in materials and workmanship for ONE YEAR from the date of purchase by the original retail purchaser. This warranty only applies in favour of the original retail purchaser of the warranted product.

SANYO CANADA INC.'S RESPONSIBILITY

During the warranty period, SANYO Canada Inc. will repair, or at our option, replace an Audio product which shows evidence of a manufacturing defect in materials or workmanship.

Replacement PARTS are warranted for the remaining portion of the warranty period.

WHAT IS NOT COVERED

- a) Audio products purchased outside Canada.
- b) Audio products purchased in a used condition.
- c) Problems due to product set-up and installation.
- d) Adjustments that are outlined in the Operating Manual.
- e) Accessory items including antenna, batteries and cassette tapes.
- f) Damage in or due to transportation.
- g) Damage due to improper maintenance, improper wiring, accident, abuse, misuse or negligence.
- h) Damage caused by lightning and power surges.

ORIGINAL RETAIL PURCHASER'S RESPONSIBILITY

You, the original retail purchaser, must present your original, dated bill-of-sale together with this warranty to SANYO Canada Inc. or to an authorized Sanyo Service Depot when you make a claim under this Warranty.

You, the original retail purchaser, are responsible for any costs of TRANSPORTING the product to and from SANYO Canada Inc. or an authorized Sanyo Service Depot. You also are responsible for the cost of any MAINTENANCE necessary in respect of the product.

WARRANTY BECOMES VOID

This warranty becomes void if the product's serial numbers are altered or removed or if any repair to the product is made other than by SANYO Canada Inc. or by an authorized Sanyo Service Depot.

LIMITATIONS

- a) SANYO Canada Inc. reserves the right to change or improve the design of the model of the product warranted hereunder without incurring any obligation to make any modifications to or to install any improvement in or on the product.
- b) In no event shall SANYO Canada Inc. or any of its Authorized Dealers be liable for special or consequential damage arising from the use of this product

STATUTORY WARRANTIES

The above provisions do not preclude the operation of any applicable provincial statute which in certain circumstances may not allow some of the limitations and exclusions described in this Warranty. Where any terms of this Warranty are prohibited by such a statute, they shall be deemed null and void but the remainder of this warranty shall remain in effect.

HOW TO OBTAIN WARRANTY SERVICE

Please contact the Sanyo Authorized Dealer from whom the product was purchased, or contact us directly at:

SANYO Canada Inc.
 1-300 Applewood Cres.
 Concord, Ont. L4K 5C7
 (905) 760-9944
 1-800-263-2244

Free Manuals Download Website

<http://myh66.com>

<http://usermanuals.us>

<http://www.somanuals.com>

<http://www.4manuals.cc>

<http://www.manual-lib.com>

<http://www.404manual.com>

<http://www.luxmanual.com>

<http://aubethermostatmanual.com>

Golf course search by state

<http://golfingnear.com>

Email search by domain

<http://emailbydomain.com>

Auto manuals search

<http://auto.somanuals.com>

TV manuals search

<http://tv.somanuals.com>