

## PARTS LIST

## Vacuum Cleaner

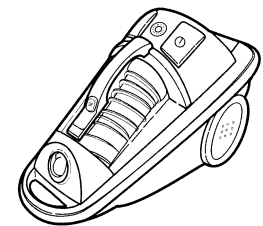
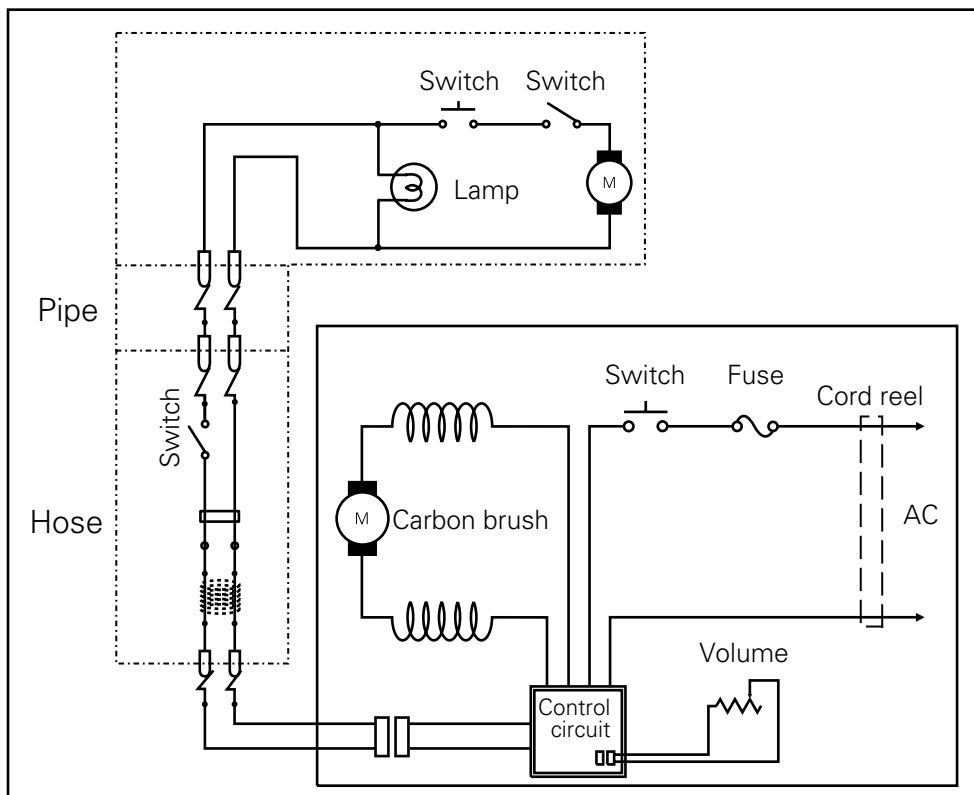
## SC-X2100P (U.S.A.)

### Specifications



Power source	: AC 120 V 60 Hz
Power consumption	: 12 A
Motor revolution	: 21,700 r.p.m.
Vacuum	: 20,000 Pa
Dimensions	: 559 X 350 X 365 mm
L X W X H	(22" X 13 - 25/32" X 14 - 3/8")
Net weight	: 7.5 Kg (16 lbs. 8 ozs.)
Attachment	: Suction hose, Power head, Connection pipe, Crevice tool, Upholstery brush, Duster arm

PRODUCT CODE NO.  
1 - 326 728 02 ( LM )

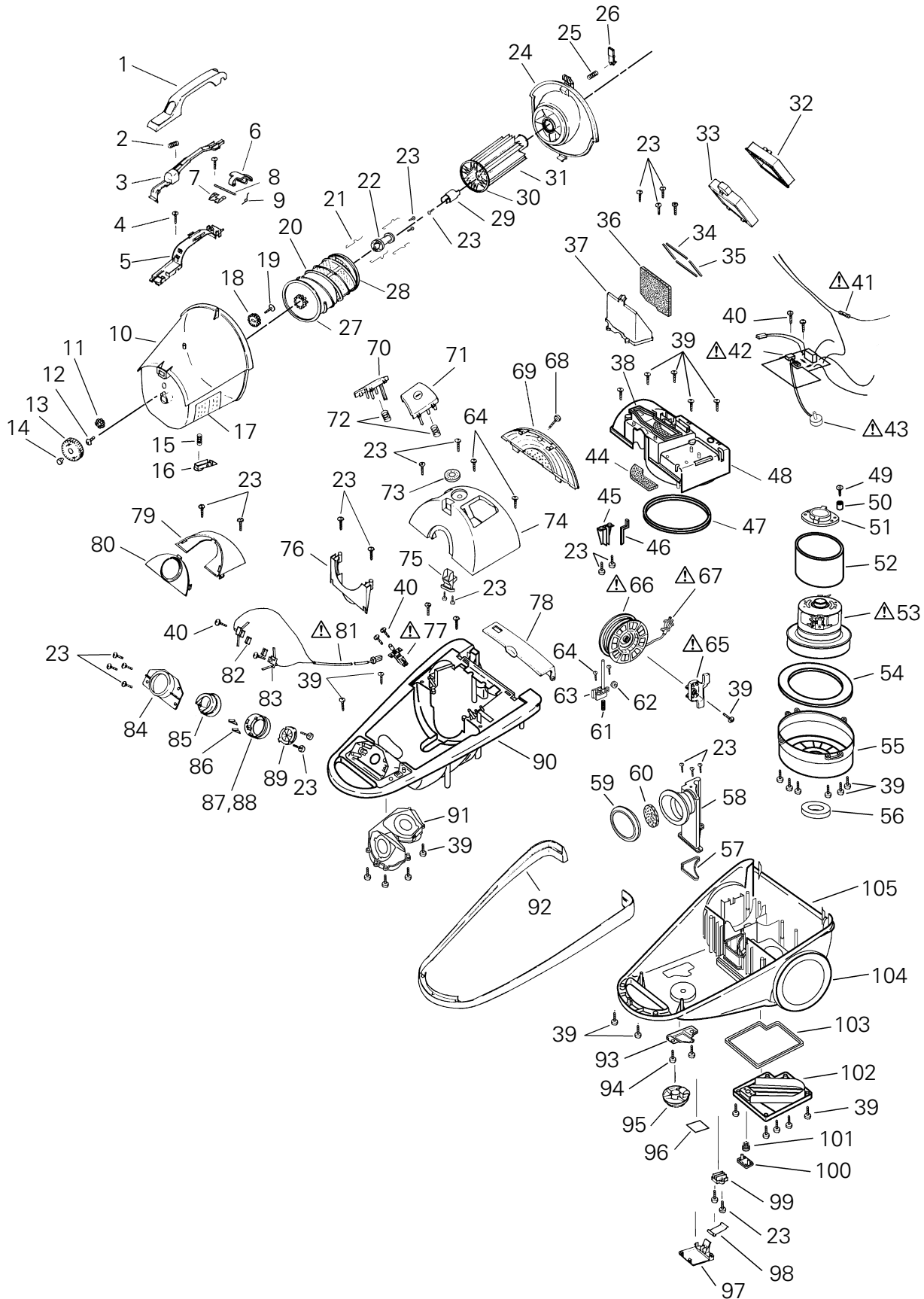
### Wiring Diagram



**Exploded View  
(Main unit)**

NOTE: The parts marked with  have special characteristics of safety, if replace the  mark parts, use only SANYO specified parts.

**SC-X2100P (U.S.A.)**



**Parts List  
(Main unit)**

NOTE: The parts marked with  $\triangle$  have special characteristics of safety,  
if replace the  $\triangle$  mark parts,use only SANYO specified parts.

**SC-X2100P (U.S.A.)**

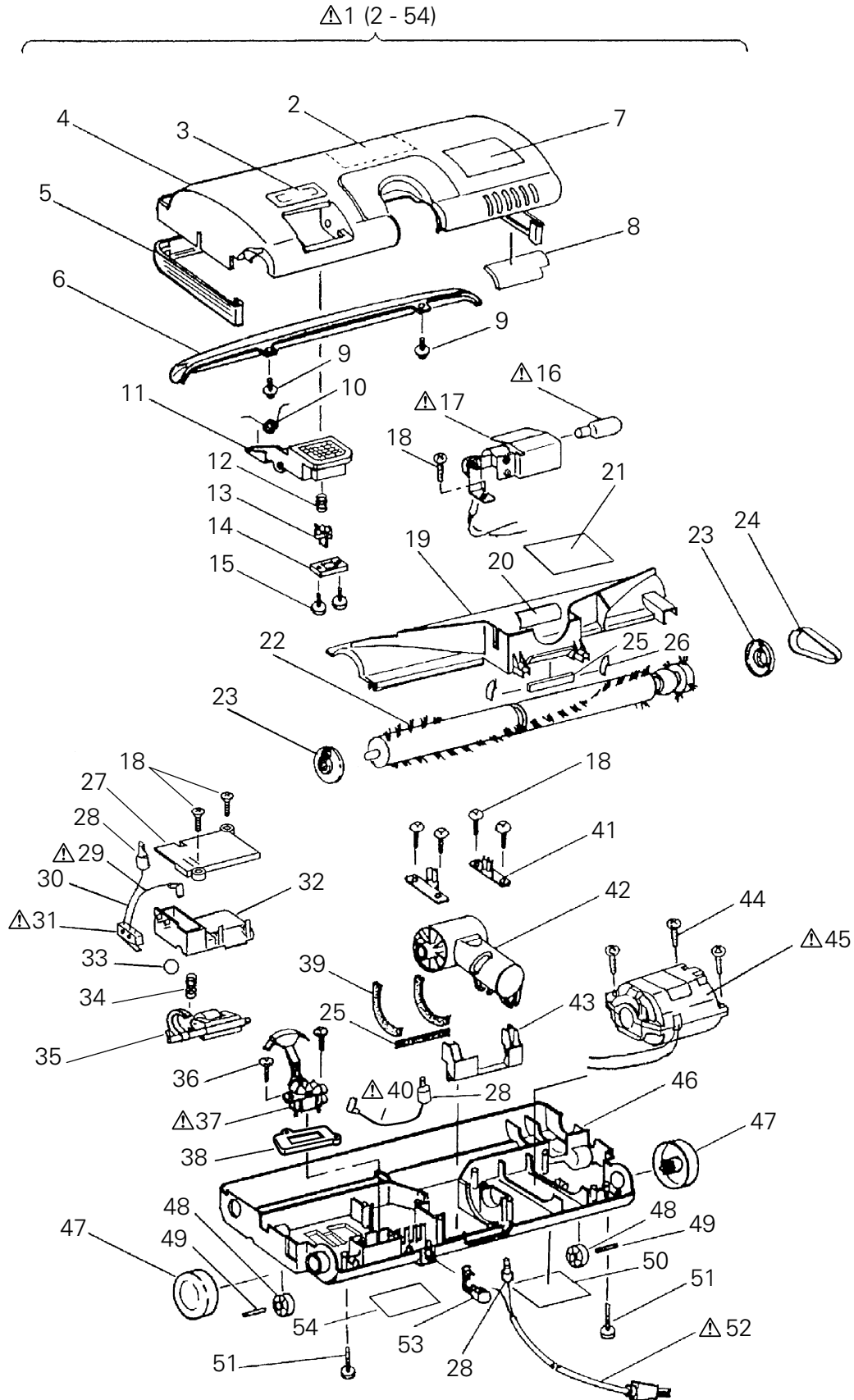
Key No.	Parts No.	Description	Q'ty	Key No.	Parts No.	Description	Q'ty
1	663 000 9130	HANDLE ORNAMENT (N3-99T)	1	54	663 000 9543	MOTOR CUSHION FRONT	1
2	663 000 2957	CRAMP SPRING A	1	55	663 000 9550	MOTOR CUSHION COVER	1
3	663 000 9147	CRAMP LEVER A (B-475)	1	56	663 000 9567	MOTOR CUSHION OUTER	1
4	663 000 9154	SCREW (4X14)	2	57	663 000 9574	AIR INLET PACKING REAR	1
5	663 000 9161	HANDLE (N1-233)	1	58	663 000 9581	AIR INLET (N1-233)	1
6	663 000 9178	CRAMP LEVER UPPER (B-475)	1	59	663 000 9598	PACKING H (N1-233)	1
7	663 000 9185	CRAMP PIECE	1	60	663 000 9604	AIR INLET FILTER	1
8	663 000 9192	CRAMP PIN	1	61	663 000 9611	BRAKE SPRING	1
9	663 000 9208	HELICAL SPRING	1	62	663 000 0236	BRAKE ROLLER ASSEMBLY B	1
10	663 000 9215	DUST BOX ASSEMBLY	1	63	663 000 9628	BRAKE ARM (N1-233)	1
11	663 000 9222	GEAR A (N1-233)	1	64	663 000 0076	SCREW (4X16)	4
12	663 000 9239	SCREW (4X10)	1	$\triangle$ 65	663 000 9635	REEL SUPPORTER ASSEMBLY	1
13	663 000 9246	GEAR C (N1-233)	1	$\triangle$ 66	663 000 9642	CORD REEL COMP. INCL/P.CORD	1
14	663 000 9253	ORNAMENT PLATE (N1-233)	1	$\triangle$ 67	663 000 8034	POWER CORD (U2)	1
15	663 000 4425	CRAMP SPRING C	1	68	663 000 9659	SCREW	1
16	663 000 9260	CRAMP ASSEMBLY	1	69	663 000 9666	REAR COVER (N1-233)	1
17	663 000 9277	CAUTION LABEL	1	70	663 000 9673	REEL BUTTON (B-476T)	1
18	663 000 9284	GEAR B (N1-233)	1	71	663 000 9680	SWITCH BUTTON (B-476T)	1
19	663 000 2278	SCREW (4X17)	1	72	663 000 9697	HELICAL SPRING	2
20	663 000 9291	PRE FILTER ASSEMBLY (B-475)	1	73	663 000 9703	SWITCH KNOB (B-476T)	1
21	663 000 3695	DUSTER ARM	4	74	663 000 9710	CASE COVER (B-476T)	1
22	663 000 3701	DUSTER HOLDER	1	75	663 000 9727	TRANSMISSION TUBE	1
23	663 000 0847	SCREW (4X16)	31	76	663 000 9734	CASE ORNAMENT (N1-233)	1
24	663 000 9307	DUST FILTER COMP.	1	$\triangle$ 77	663 000 2896	SWITCH	1
25	663 000 9314	CRAMP SPRING B	1	78	663 000 9741	TOOL COVER (B-476T)	1
26	663 000 9321	CRAMP LEVER B (N1-233)	1	79	663 000 9758	FRONT COVER A (B-476T)	1
27	663 000 9338	PACKING C (N1-233)	1	80	663 000 9765	FRONT COVER B (B-476T)	1
28	663 000 9345	PACKING B (N1-233)	1	$\triangle$ 81	663 000 9772	CONNECTOR ASSEMBLY	1
29	663 000 9352	DUST FILTER FRAME (N1-233)	1	82	663 000 7716	SLIP RING CLEANER	2
30	663 000 9369	PACKING A (N1-233)	1	83	663 000 7709	COLLECTING SHOE	2
31	663 000 9376	DUST FILTER ASSEMBLY (N5-23)	1	84	663 000 9789	BASE HOLDER (N1-233)	1
32	663 000 9383	OUTLET FILTER ASSEMBLY	1	85	663 000 9796	SLIP RING BASE UPPER	1
33	663 000 9390	FILTER FIXTURE B (N1-233)	1	86	663 000 9802	JOINT SPRING	2
34	663 000 9406	AIR SPREADER R	2	87	663 000 9819	SLIP RING BASE LOWER	1
35	663 000 9413	AIR SPREADER S	2	88	663 000 7679	SLIP RING	2
36	663 000 9420	POLYURETHANE FOAM	1	89	663 000 7686	AIR INLET PACKING	1
37	663 000 9437	FILTER FIXTURE A (N1-233)	1	90	663 000 9826	CASE UPPER (N3-99T)	1
38	663 000 9444	PACKING L	1	91	663 000 9833	BYPASS TUBE ASSEMBLY	1
39	663 000 0243	SCREW (4X20)	20	92	663 000 9840	CASE BUMPER (B-475)	1
40	663 000 2872	SCREW (3X10)	6	93	663 000 9857	BYPASS COVER (N1-242)	1
$\triangle$ 41	663 000 9451	FUSE ASSEMBLY (125V 15A)	1	94	663 000 9864	SCREW	2
$\triangle$ 42	663 000 9468	CONTROL CIRCUITE ASSEMBLY A	1	95	663 000 0823	CASTER (NN-B)	1
$\triangle$ 43	663 000 9475	CONTROL CIRCUITE ASSEMBLY B	1	96	663 000 9871	NAME PLATE	1
44	663 000 9482	OUTLET FILTER	1	97	663 000 9888	CORD INLET COVER (N1-233)	1
45	663 000 9499	BRAKE ARM BRACKET (N1-233)	1	98	663 000 9895	CORD INLET COVER SMALL	1
46	663 000 9505	REEL KNOB (N1-233)	1	99	663 000 9901	SUPPLEMENT CASE (N1-233)	1
47	663 000 9512	AIR OUTLET PACKING	1	100	663 000 9918	TRANSMISSION COVER (N1-233)	1
48	663 000 9529	AIR OUTLET (N1-233)	1	101	663 000 3312	TRANSMISSION ASSEMBLY	1
49	663 000 1158	SCREW	1	102	663 000 9925	CASE LOWER BOTTOM (N1-233)	1
50	663 000 1141	MOTOR CUSHION SLEEVE	1	103	663 000 9932	BOTTOM PACKING (N1-233)	1
51	663 000 7884	MOTOR CUSHION REAR	1	104	663 000 9949	WHEEL REAR ASSEMBLY	2
52	663 000 7891	SILENCER PIPE	1	105	663 000 9956	CASE LOWER (N1-233)	1
$\triangle$ 53	663 000 9536	MOTOR COMP. (AC 120V)	1				
$\triangle$	663 000 0298	CARBON BRUSH ASSEMBLY	2				

COLOR CODE:B-476T/B-475(BLUE),N3-99T(SILVER),N1-233/N1-242(GRAY),NN-B(BLACK)



**Exploded View  
(Attachment)**

NOTE: The parts marked with  $\triangle$  have special characteristics of safety,  
if replace the  $\triangle$  mark parts, use only SANYO specified parts.










**SC-X2100P (U.S.A.)**



**Parts List  
(Attachment)**

NOTE: The parts marked with  have special characteristics of safety,  
if replace the  mark parts,use only SANYO specified parts.

**SC-X2100P (U.S.A.)**

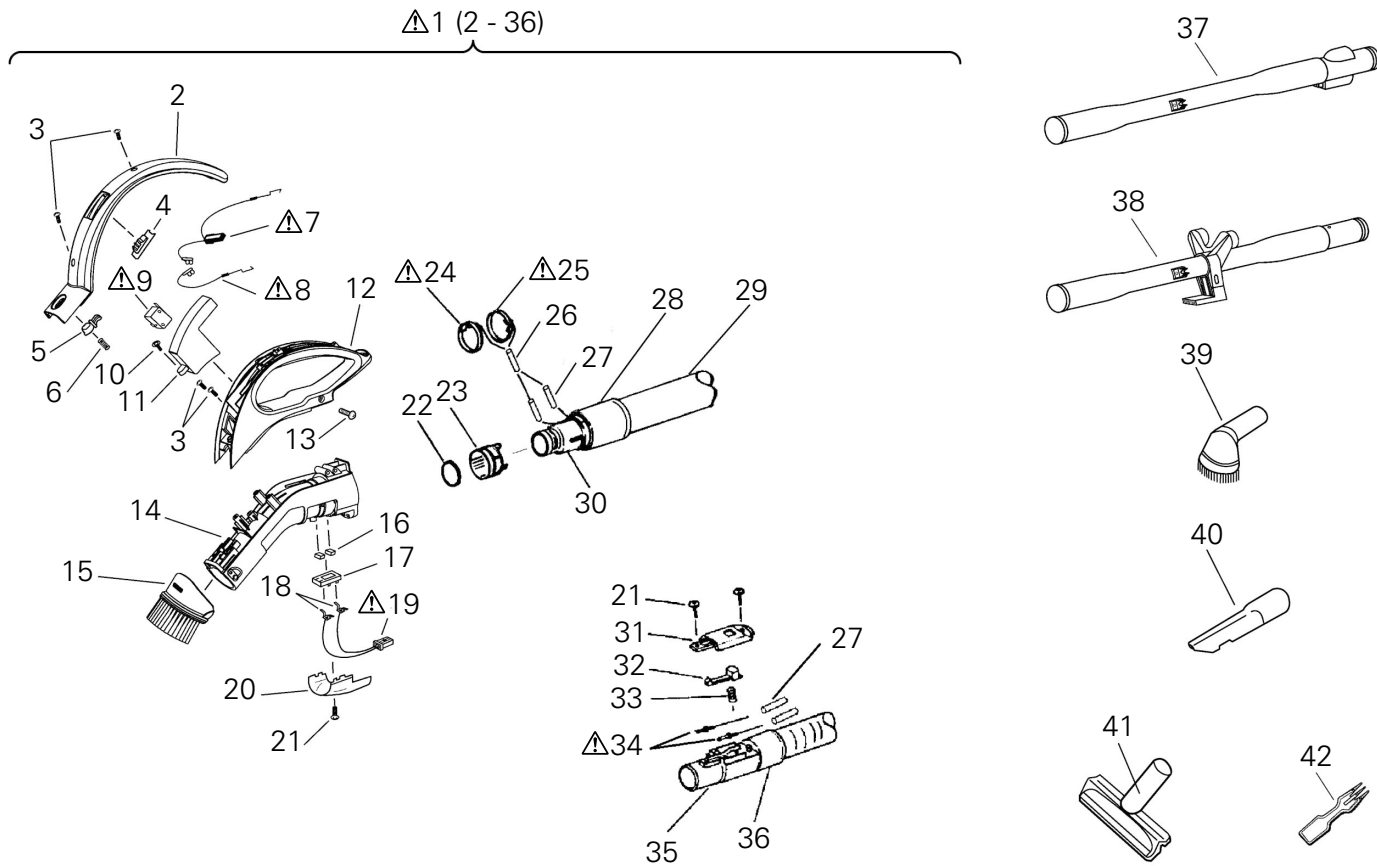
Key No.	Parts No.	Description	Q'ty	Key No.	Parts No.	Description	Q'ty
	1 663 000 9963	POWER BRUSH COMP. KEYNO(2-54)	1	51	663 000 9079	SCREW	2
	2 663 000 8621	CASE CUSHION	1		52 663 001 0044	CORD ASSEMBLY	1
	3 663 000 8638	SWITCH ORNAMENT	1	53	663 000 9093	CORD BUSHING (NN-B)	1
	4 663 000 8645	CASE UPPER (B-476T)	1	54	663 000 9109	CAUTION LABEL	1
	5 663 000 8652	BUMPER (B-475)	1				
	6 663 000 8669	LENS (N3-78)	1				
	7 663 000 8676	CAUTION LABEL C	1				
	8 663 000 8683	POLYURETHANE FORM	1				
	9 663 000 8690	SCREW	2				
	10 663 000 8706	TORSION SPRING	1				
	11 663 000 9970	SWITCH BUTTON (N1-233)	1				
	12 663 000 8720	SWITCH SPRING	1				
	13 663 000 8737	MOVABLE REED (NN-B)	1				
	14 663 000 8744	MOVABLE REED BASE (NN-B)	1				
	15 663 000 8751	SCREW	2				
	16 663 000 3398	LAMP (15W 120V)	1				
	17 663 000 8768	LAMP HOLDER ASSEMBLY	1				
	18 663 000 8775	SCREW	7				
	19 663 000 8782	ROTARY PIPE COVER (N5-23)	1				
	20 663 000 8799	SHIELD SHEET	1				
	21 663 000 8805	CAUTION LABEL B	1				
	22 663 000 7587	ROTARY BRUSH COMP.	1				
	23 663 000 8812	BEARING HOLDER CAP	2				
	24 663 000 8829	BELT	1				
	25 663 000 8836	ROTARY SEAL C	2				
	26 663 000 8843	ROTARY SEAL B	2				
	27 663 000 9987	CASE COVER (N1-233)	1				
	28 663 000 0700	WIRE CONNECTOR (CE-230)	3				
	29 663 000 8867	CORD ASSEMBLY (WHITE) L=115	1				
	30 663 000 8874	LEAD WIRE (BLACK) L=130	1				
	31 663 000 8881	MICRO SWITCH	1				
	32 663 000 9994	SWITCH HOLDER (N1-233)	1				
	33 663 000 8904	STEEL BALL	1				
	34 663 000 8911	HELICAL SPRING	1				
	35 663 000 8928	SWITCH LEVER ASSEMBLY	1				
	36 663 000 8263	SCREW (3X12)	2				
	37 663 000 8935	SWITCH ASSEMBLY A	1				
	38 663 001 0006	SWITCH BRACKET (N1-233)	1				
	39 663 000 8959	ROTARY SEAL A	2				
	40 663 000 8966	CORD ASSEMBLY (BLACK) L=75	1				
	41 663 000 8973	ARM HOLDER	2				
	42 663 001 0013	ARM (N1-233)	1				
	43 663 001 0020	CORD INLET COVER (N1-233)	1				
	44 663 000 9000	SCREW	3				
	45 663 000 9017	AC MOTOR (AC 120V)	1				
	46 663 001 0037	CASE LOWER (N1-233)	1				
	47 663 000 9031	WHEEL REAR (NN-B)	2				
	48 663 000 9048	WHEEL FRONT (NN-B)	2				
	49 663 000 9055	SHAFT	2				
	50 663 000 9062	CAUTION LABEL A	1				

COLOR CODE:B-476T/B-475(BLUE),N3-78(GRAY),N5-28(WHITE),N1-233(GRAY),NN-B(BLACK)

# Exploded View (Attachment)

NOTE: The parts marked with  $\triangle$  have special characteristics of safety, if replace the  $\triangle$  mark parts, use only SANYO specified parts.

SC-X2100P (U.S.A.)



## Parts List

Key No.	Parts No.	Description	Q'ty	Key No.	Parts No.	Description	Q'ty
$\triangle$ 1	663 001 0051	SUCTION HOSE COMP. KEYNO(2-36)	1	23	663 000 8430	SLIP RING BASE	1
2	663 000 8256	CONTROL SWITCH CASE	1	$\triangle$ 24	663 000 8447	SLIP RING ASSEMBLY A (RED) L=90	1
3	663 000 8263	SCREW (3X12)	4	$\triangle$ 25	663 000 8454	SLIP RING ASSEMBLY B (WHITE) L=70	1
4	663 001 0068	SWITCH LEVER (N1-233)	1	26	663 000 8461	TUBE (L=40)	1
5	663 001 0075	CRAMP HOOK (N1-233)	1	27	663 000 8478	TUBE	4
6	663 000 8294	CRAMP SPRING	1	28	663 001 0136	SUCTION HOSE COVER C	1
$\triangle$ 7	663 000 8300	CONNECTOR HOUSING ASSEMBLY B	1	29	663 001 0143	SUCTION HOSE (N1-52)	1
$\triangle$ 8	663 000 8317	CORD ASSEMBLY (BLACK) L=75	1	30	663 001 0150	HOSE JOINT PIPE C (N1-233)	1
$\triangle$ 9	663 000 8324	MICRO SWITCH	1	31	663 001 0167	HOSE HOOK COVER (N1-233)	1
10	663 000 0335	SCREW (4X16)	1	32	663 001 0174	HOSE HOOK (N1-233)	1
11	663 000 8331	SWITCH BASE	1	33	663 000 0519	HOSE HOOK SPRING	1
12	663 001 0082	GRIP (N1-233)	1	$\triangle$ 34	663 000 8539	CORD ASSYEMBLY	2
13	663 000 0076	SCREW (4X16)	2	35	663 001 0181	HOSE JOINT PIPE A (N1-233)	1
14	663 001 0099	HOSE JOINT PIPE B (N1-233)	1	36	663 001 0198	SUCTION HOSE COVER	1
15	663 001 0105	BRUSH ASSEMBLY	1	37	663 001 0204	CONNECTION PIPE ASSEMBLY A	1
16	663 000 8379	SLIP RING CLEANER	2	38	663 001 0211	CONNECTION PIPE ASSEMBLY B	1
17	663 001 0112	COLLECTING SHOE HOLDER	1	39	663 001 0228	UPHOLSTERY BRUSH ASSEMBLY (N1-233)	1
18	663 000 8393	COLLECTING SHOE B	2	40	663 001 0235	CREVICE TOOL (N1-233)	1
$\triangle$ 19	663 000 8409	CONNECTOR HOUSING ASSEMBLY	1	41	663 001 0242	UPHOLSTERY BRUSH ASSEMBLY (ETIQUETTE)	1
20	663 001 0129	COLLECTING SHOE COVER	1	42	663 000 0892	DUSTER ARM	1
21	663 000 7693	SCREW (3X8)	3		663 001 0259	INSTRUCTION MANUAL	1
22	663 000 8423	JOINT PIPE PACKING	1				

COLOR CODE:N1-52/N1-233(GRAY)

For Parts or Service Contact  
SANYO FISHER SERVICE CORPORATION.  
21605 Plummer Street,  
Chatsworth, CA 91311

## Free Manuals Download Website

<http://myh66.com>

<http://usermanuals.us>

<http://www.somanuals.com>

<http://www.4manuals.cc>

<http://www.manual-lib.com>

<http://www.404manual.com>

<http://www.luxmanual.com>

<http://aubethermostatmanual.com>

Golf course search by state

<http://golfingnear.com>

Email search by domain

<http://emailbydomain.com>

Auto manuals search

<http://auto.somanuals.com>

TV manuals search

<http://tv.somanuals.com>