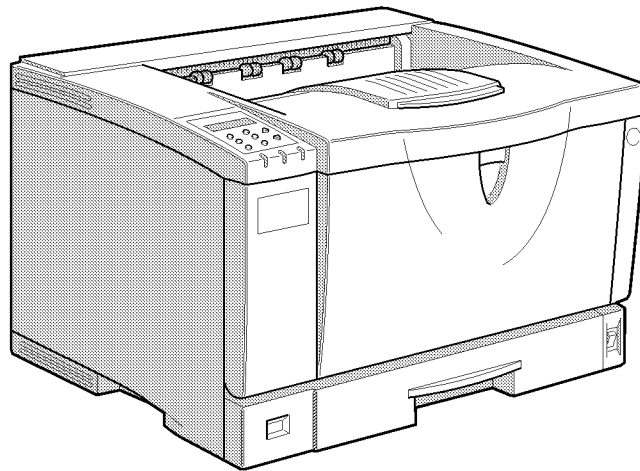


# **SLP26/SLP26n P7026/P7026n**

## **Setup Guide**



## Introduction

This manual contains detailed instructions on the operation and maintenance of this machine. To get maximum versatility from this machine all operators should carefully read and follow the instructions in this manual. Please keep this manual in a handy place near the machine.

Please read the Safety Information before using this machine. It contains important information related to USER SAFETY and PREVENTING EQUIPMENT PROBLEMS.

### Notes:

The actual names of the following applications do not appear on the following pages. Check the model name of the printer before reading this manual.

Descriptions in this manual	Model name
Type 1 Printer	SLP26/P7026
Type 2 Printer	SLP26/P7026N

Descriptions without the note for identifying the type of the printer are common for both models. Certain types might not be available in some countries. For more information, please contact your local dealer.

The actual names of the following applications do not appear on the following pages. Confirm which applications you will be using before reading this manual.

Descriptions in this manual	Application
PRINTER MANAGER FOR ADMINISTRATOR	Net Vision
PRINTER MANAGER FOR CLIENT	Net Vision

### Consumable:

Consumable	Name
Toner	SAVIN LP TONER CARTRIDGE Type 100 BLACK

Consumable	Components
MAINTENANCE KIT Type2600	Friction Pads, Paper Feed Rollers, Transfer Roller, Fusing Unit

### Power Source

SLP26/P7026 120 V, 60 Hz, 8.4 A or more

SLP26/P7026N 120 V, 60 Hz, 8.4 A or more

Please be sure to connect the power cord to a power source as above.

Two kinds of size notation are employed in this manual. With this machine refer to the metric version.

### Operator Safety:

This machine is considered a CDRH class I laser device, safe for office/ EDP use. The machine contains 5-milliwatt, 760 - 800 nanometer wavelength, GaAlAs laser diode. Direct (or indirect reflected) eye contact with the laser beam might cause serious eye damage. Safety precautions and interlock mechanisms have been designed to prevent any possible laser beam exposure to the operator.

### Laser Safety:

The Center for Devices and Radiological Health (CDRH) prohibits the repair of laser-based optical unit in the field. The optical housing unit can only be repaired in a factory or at a location with the requisite equipment. The laser subsystem is replaceable in the field by a qualified Customer Engineer. The laser chassis is not repairable in the field. Customer engineers are therefore directed to return all chassis and laser subsystems to the factory or service depot when replacement or the optical subsystem is required.

### Important

Parts of this manual are subject to change without prior notice. In no event will the company be liable for direct, indirect, special, incidental, or consequential damages as a result of handling or operating the machine.

### Caution:

Use of controls or adjustment or performance of procedures other than those specified in this manual might result in hazardous radiation exposure.

Do not attempt any maintenance or troubleshooting other than that mentioned in this manual. This printer contains a laser beam generator and direct exposure to laser beams can cause permanent eye damage.

Two kinds of size notation are employed in this manual. With this machine refer to the inch version.

For good copy quality, Savin recommends that you use genuine Savin toner.

Savin shall not be responsible for any damage or expense that might result from the use of parts other than genuine Savin parts in your Savin office product.

# Trademarks

Microsoft<sup>®</sup>, Windows<sup>®</sup> and Windows NT<sup>®</sup> are registered trademarks of Microsoft Corporation in the United States and/or other countries.

Novell, Netware, NDS are registered trademarks of Novell, Inc.

PostScript<sup>®</sup> is a registered trademark of Adobe Systems, Incorporated.

PCL<sup>®</sup> is a registered trademark of Hewlett-Packard Company.

AppleTalk, Apple, Macintosh, TrueType and LaserWriter are registered trademarks of Apple Computer, Incorporated.

IPS-PRINT<sup>™</sup> Printer Language Emulation<sup>®</sup> Copyright 1999-2000, XIONICS DOCUMENT TECHNOLOGIES, INC., All Rights Reserved.

Ethernet<sup>®</sup> is a registered trademark of Xerox Corporation.

Other product names used herein are for identification purposes only and might be trademarks of their respective companies. We disclaim any and all rights in those marks.

---

## Notes:

---

Some illustrations might be slightly different from your machine.

Certain options might not be available in some countries. For details, please contact your local dealer.

---

## Note

---

The proper names of the Windows operating systems are as follows:

- Microsoft<sup>®</sup> Windows<sup>®</sup> 95 operating system
- Microsoft<sup>®</sup> Windows<sup>®</sup> 98 operating system
- Microsoft<sup>®</sup> Windows<sup>®</sup> 2000 Professional
- Microsoft<sup>®</sup> Windows<sup>®</sup> 2000 Server
- Microsoft<sup>®</sup> Windows NT<sup>®</sup> Server operating system Version 4.0
- Microsoft<sup>®</sup> Windows NT<sup>®</sup> Workstation operating system Version 4.0
- Microsoft<sup>®</sup> Windows<sup>®</sup> Millenium Edition (Windows Me)

# Safety Information

When using your printer, the following safety precautions should always be followed.

---

## Safety During Operation

---

In this manual, the following important symbols are used:

**⚠ WARNING:**  
*Indicates a potentially hazardous situation which, if instructions are not followed, could result in death or serious injury.*

**⚠ CAUTION:**  
*Indicates a potentially hazardous situation which, if instructions are not followed, may result in minor or moderate injury or damage to property.*

---

### **⚠ WARNING:**

---

- **Connect the power cord directly into a wall outlet and never use an extension cord.**
- **Disconnect the power plug (by pulling the plug, not the cable) if the power cable or plug becomes frayed or otherwise damaged.**
- **To avoid hazardous electric shock or laser radiation exposure, do not remove any covers or screws other than those specified in this manual.**
- **Turn off the power and disconnect the power plug (by pulling the plug, not the cable) if any of the following conditions exists:**
  - **You spill something into the equipment.**
  - **You suspect that your equipment needs service or repair.**
  - **Your equipment's cover has been damaged.**
- **Do not incinerate spilled toner or used toner. Toner dust might ignite when exposed to an open flame.**
- **Disposal can take place at our authorized dealer or at appropriate collection sites.**
- **Dispose of the used toner cartridge in accordance with the local regulation.**


---

**⚠ CAUTION:**

---

- *Protect the equipment from dampness or wet weather, such as rain, snow, and so on.*
- *Unplug the power cord from the wall outlet before you move the equipment. While moving the equipment, you should take care that the power cord will not be damaged under the equipment.*
- *When you disconnect the power plug from the wall outlet, always pull the plug (not the cable).*
- *Do not allow paper clips, staples, or other small metallic objects to fall inside the equipment.*
- *Keep toner (used or unused) and toner cartridge out of the reach of children.*
- *For environmental reasons, do not dispose of the equipment or expended supply waste at household waste collection points. Disposal can take place at an authorized dealer or at appropriate collection sites.*
- *The inside of the machine could be very hot. Do not touch the parts with a label indicating the "hot surface". Otherwise it could cause a personal burn.*
- *Our products are engineered to meet high standards of quality and functionality, and we recommend that you only use the expendable supplies available at an authorized dealer.*

# ENERGY STAR Program

<p>ENERGY STAR®</p> 	<p>As an ENERGY STAR Partner, we have determined that this machine model meets the ENERGY STAR Guidelines for energy efficiency.</p>
---	--

The ENERGY STAR Guidelines intend to establish an international energy-saving system for developing and introducing energy-efficient office equipment to deal with environmental issues, such as global warming.

When a product meets the ENERGY STAR Guidelines for energy efficiency, the Partner shall place the ENERGY STAR logo onto the machine model.

This product was designed to reduce the environmental impact associated with office equipment by means of energy-saving features, such as Low-power mode.

- **Energy Saver mode**

This printer automatically lowers its power consumption 15 minutes after the last operation has been completed. To exit Energy Saver mode, press any key on the operation panel. To change the setting of the Energy Saver mode, see “*System Settings Menu*” in the Printer Reference provided as a PDF file on the CD-ROM labeled “Operating Instructions”.

- ❖ **Specifications**

Energy Saver mode	Power Consumption	17 W
	Default Time	30 minutes

.....

- 💡 **Recycled Paper**

In accordance with the ENERGY STAR Program, we recommend use of recycled paper which is environment friendly. Please contact your sales representative for recommended paper.

.....

# Manuals for This Printer

---

## Manuals for This Printer

---

The following manuals describe the operational procedures and maintenance of this machine.

To enhance safe and efficient operation of this printer, all users should read and follow the instructions carefully.

❖ **Quick Installation Guide**

Describes how to install the printer.

❖ **Setup Guide (this manual)**

Provides information about setting up the printer and its options. This manual is provided as a printed manual, and also as a PDF file on the CD-ROM labeled "Operating Instructions".

❖ **Printer Reference**

Provides information about using the printer and its options. This manual provided as a PDF file on the CD-ROM labeled "Operating Instructions".

❖ **Network Interface Board Operating Instructions**

Provides information about setting up and using the printer in a network environment. This manual provided as a PDF file on the CD-ROM labeled "Operating Instructions".

❖ **PostScript 3 Operating Instructions Supplement**

Describes the menus and features for the PostScript 3 printer driver. This manual provided as a PDF file on the CD-ROM labeled "Operating Instructions".

❖ **UNIX Supplement**

Provides information about setting up and using the printer in a UNIX environment. This manual provided as a PDF file on the CD-ROM labeled "Operating Instructions".

 **Note**

- ❑ There are two CD-ROMs that come with this printer. One is labeled "Operating Instructions" and the other is "Drivers and Utilities".

# How to Read This Manual

---

## Symbols

---

In this manual, the following symbols are used:

### **WARNING:**

This symbol indicates a potentially hazardous situation which, if instructions are not followed, could result in death or serious injury.

### **CAUTION:**

This symbol indicates a potentially hazardous situation which, if instructions are not followed, may result in minor or moderate injury or damage to property.

\* The statements above are notes for your safety.

### **Important**

If this instruction is not followed, paper might be misfed, originals might be damaged, or data might be lost. Be sure to read this.

### **Preparation**

This symbol indicates the prior knowledge or preparations required before operating.

### **Note**

This symbol indicates precautions for operation, or actions to take after misoperation.

### **Limitation**

This symbol indicates numerical limits, functions that cannot be used together, or conditions in which a particular function cannot be used.

### **Reference**

This symbol indicates a reference.

[    ]

Keys that appear on the machine's panel display.

Keys and buttons that appear on the computer's display.

[    ]

Keys built into the machine's operation panel.

Keys on the computer's keyboard.



# TABLE OF CONTENTS

## 1. Getting Started

---

<b>Features of This Printer .....</b>	<b>1</b>
<b>Printer Drivers for This Printer.....</b>	<b>2</b>
<b>Software and Utilities Included on the CD-ROM.....</b>	<b>4</b>
<b>Guide to This Printer .....</b>	<b>6</b>
Mainframe .....	6
Operation Panel .....	9

## 2. Installing Options

---

<b>Available Options .....</b>	<b>12</b>
<b>Installing Options .....</b>	<b>15</b>
Installing Paper Feed Unit Type 2600 .....	15
Installing Envelope Feeder Type 2600.....	16
Installing 1-bin Shift Sort Tray Type 2600 .....	17
Installing CS380 (Mailbox) .....	19
Installing AD410 (Duplex Unit) .....	20
Installing Memory Unit TypeB 64MB.....	22
Installing Hard Disk Drive Type 2600.....	24
Installing Network Interface Board Type 2600 .....	27
Installing 1394 Interface Unit Type 2600.....	31

## 3. Configuring the Printer for the Network

---

<b>Configuring the Printer for the Network with the Operation Panel ....</b>	<b>37</b>
--	-----------

## 4. Installing the Printer Driver and Software

---

<b>Installation Method.....</b>	<b>43</b>
<b>Installing by Auto Run .....</b>	<b>45</b>
<b>Installing the PCL 6/5e Printer Driver .....</b>	<b>46</b>
Windows 95/98/Me - Installing the PCL 6/5e Printer Driver .....	46
Windows 2000 - Installing the PCL 6/5e Printer Driver .....	47
Windows NT 4.0 - Installing the PCL 6/5e Printer Driver .....	49
<b>Installing the RPCS Printer Driver .....</b>	<b>51</b>
Windows 95/98/Me - Installing the RPCS Printer Driver .....	51
Windows 2000 - Installing the RPCS Printer Driver .....	52
Windows NT 4.0 - Installing the RPCS Printer Driver .....	54
<b>Installing the PostScript Printer Driver .....</b>	<b>55</b>
Windows 95/98/Me - Installing the PostScript Printer Driver.....	55
Windows 2000 - Installing the PostScript Printer Driver.....	57
Windows NT 4.0 - Installing the PostScript Printer Driver.....	59
<b>Using Adobe PageMaker Version 6.0 or 6.5.....</b>	<b>62</b>
<b>Macintosh.....</b>	<b>63</b>
Macintosh - Installing the PostScript Printer Driver .....	63
Setting Up the PPD File .....	64
Setting Up Options .....	64
<b>INDEX.....</b>	<b>65</b>

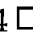
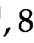
# 1. Getting Started

## Features of This Printer

This printer is designed especially for office workgroups, both for shared usage within a network environment, and for one-to-one usage by being connected directly to the computer.

### ❖ Time Saving

Superior features save time on print tasks.

- Continuous Printing Speed : 26 ppm.  
A4 , 8<sup>1</sup>/<sub>2</sub>" × 11" , maximum printing speed from a standard paper tray.
- All Front Operation: From the front, you can replace the toner cartridge, check indicators, and clear a paper misfeed if it occurs.

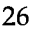
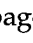
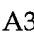

### ❖ Compact Body

Its compact body requires minimum space to place it on your desk or desk side.



### ❖ Network Connectivity

This printer is network ready with two versions. One is a printer with a standard Network Interface Board, and the other is a printer with an optional Network Interface Board Type 2600.

### ❖ Major Specifications

Printing Speed	26 pages per minute (A4  , 8 <sup>1</sup> / <sub>2</sub> " × 11"  )
Maximum Print Quality	True 1200 × 1200 dpi resolutions (PCL 6, RPCS, PS3)
Printer Language	PCL 6 , PCL 5e, RPCS, PostScript 3
Maximum Input Paper Size	Paper Tray and Bypass Tray: A3  , 11" × 17" 
Standard Memory Size	32MB
Maximum Memory Size with Optional Memory	96MB

### Note

- The "  " symbol means short-edge feed direction.
- The "  " symbol means long-edge feed direction.

## Printer Drivers for This Printer

Printing requires installation of a printer driver for your operating system. The following drivers are included on the CD-ROM that comes with this printer.

Printer Language	PCL 6	PCL 5e	RPCS	PostScript3
<b>Operating system</b>				
Windows 95 <sup>*1</sup>	√	√	√	√ <sup>*8</sup>
Windows 98 <sup>*2</sup>	√	√	√	√ <sup>*8</sup>
Windows Me <sup>*3</sup>	√	√	√	√ <sup>*8</sup>
Windows 2000 <sup>*4</sup>	√	√	√	√ <sup>*8</sup>
Windows NT 4.0 <sup>*5</sup>	√	√	√	√ <sup>*7 *8</sup>
Mac OS <sup>*6</sup>				√ <sup>*8</sup>

<sup>\*1</sup> Microsoft Windows 95 operating system

<sup>\*2</sup> Microsoft Windows 98 operating system

<sup>\*3</sup> Microsoft Windows Millenium edition operating system

<sup>\*4</sup> Microsoft Windows 2000 professional

Microsoft Windows 2000 Server

<sup>\*5</sup> Microsoft Windows NT Server operating system version 4.0, Microsoft Windows NT Workstation operating system version 4.0 in a computer using x86 processors.

<sup>\*6</sup> Required version is 7.6.1 or later operating system.

<sup>\*7</sup> Requires Service Pack 4 or later.

<sup>\*8</sup> The Adobe PostScript printer drivers and PostScript Printer Description (PPD) files are included on the CD-ROM that comes with this printer.

### ❖ PCL printer drivers

Printer drivers allow the computer to communicate with the printer via a printer language. Two kinds of PCL printer drivers, PCL 6 and PCL 5e, are provided with this printer. We recommend PCL 6 as your first choice.

#### Note

Some of your applications might require the installation of the PCL 5e printer driver. In this case, you can install PCL 5e in addition to PCL 6.

⇒ P.46 "Windows 95/98/Me - Installing the PCL 6/5e Printer Driver"

⇒ P.47 "Windows 2000 - Installing the PCL 6/5e Printer Driver"

⇒ P.49 "Windows NT 4.0 - Installing the PCL 6/5e Printer Driver"

### ❖ RPCS printer driver

This printer driver allows the computer to communicate with the printer via a printer language. The preset type user interface is provided in addition to the conventional one.

⇒ P.51 "Windows 95/98/Me - Installing the RPCS Printer Driver"

⇒ P.52 "Windows 2000 - Installing the RPCS Printer Driver"

⇒ P.54 "Windows NT 4.0 - Installing the RPCS Printer Driver"

**❖ Adobe PostScript Printer Drivers and PPD files**

The Adobe Postscript printer drivers and the PPD files are included on the CD-ROM that comes with this printer. Adobe PostScript printer driver allows the computer to communicate with the printer via a printer language. The PPD files allow the printer driver to enable the printer specific functions.

⇒ P.55 *"Windows 95/98/Me - Installing the PostScript Printer Driver"*

⇒ P.57 *"Windows 2000 - Installing the PostScript Printer Driver"*

⇒ P.59 *"Windows NT 4.0 - Installing the PostScript Printer Driver"*

⇒ P.63 *"Macintosh"*



# Software and Utilities Included on the CD-ROM



There are two CD-ROMs that comes with this printer. One is labeled “Operating Instructions” and the other is “Drivers and Utilities”. The following items are included on the two CD-ROMs separately.

## ❖ **Agfa Font Manager**

Helps you to install new screen fonts, or organize and manage fonts already installed on the system. This manual provided as a PDF file on the CD-ROM labeled “Drivers and Utilities”.

## ❖ **PRINTER MANAGER FOR ADMINISTRATOR**

A utility for the system administrator to manage printers on the network. This manual provided as a PDF file on the CD-ROM labeled “Drivers and Utilities”.

### **Reference**

For the actual name of PRINTER MANAGER FOR ADMINISTRATOR application, see the inside of front cover of this manual.

See PRINTER MANAGER FOR ADMINISTRATOR online Help for more information about using PRINTER MANAGER FOR ADMINISTRATOR.

## ❖ **PRINTER MANAGER FOR CLIENT**

A utility for users to manage their own print status on the network. This manual provided as a PDF file on the CD-ROM labeled “Drivers and Utilities”.

### **Reference**

For the actual name of PRINTER MANAGER FOR CLIENT application, see the inside of front cover of this manual.

See PRINTER MANAGER FOR CLIENT online Help for more information about using PRINTER MANAGER FOR CLIENT.

## ❖ **Multidirect Print**

A utility for printing on a “peer to peer” network. This manual provided as a PDF file on the CD-ROM labeled “Drivers and Utilities”.

### **Reference**

For more information about Multidirect Print, see the Network Interface Board Operating Instructions provided as a PDF file on the CD-ROM labeled “Operating Instructions”.

### ❖ PortNavi

A utility that helps you to use the network printer effectively. It is useful in environments where two or more network printers are used. This manual provided as a PDF file on the CD-ROM labeled "Drivers and Utilities".

#### Reference

For more information about PortNavi, see the Network Interface Board Operating Instructions provided as a PDF file on the CD-ROM labeled "Operating Instructions".

### ❖ Acrobat Reader

A utility that allows you to read PDF (Portable Document Format). This manual provided as a PDF file on the CD-ROM labeled "Operating Instructions".

#### Note

- Documentation about using the printer is included on the CD-ROM in PDF format. See Acrobat Reader online Help for more information about using Acrobat Reader.

#### Important

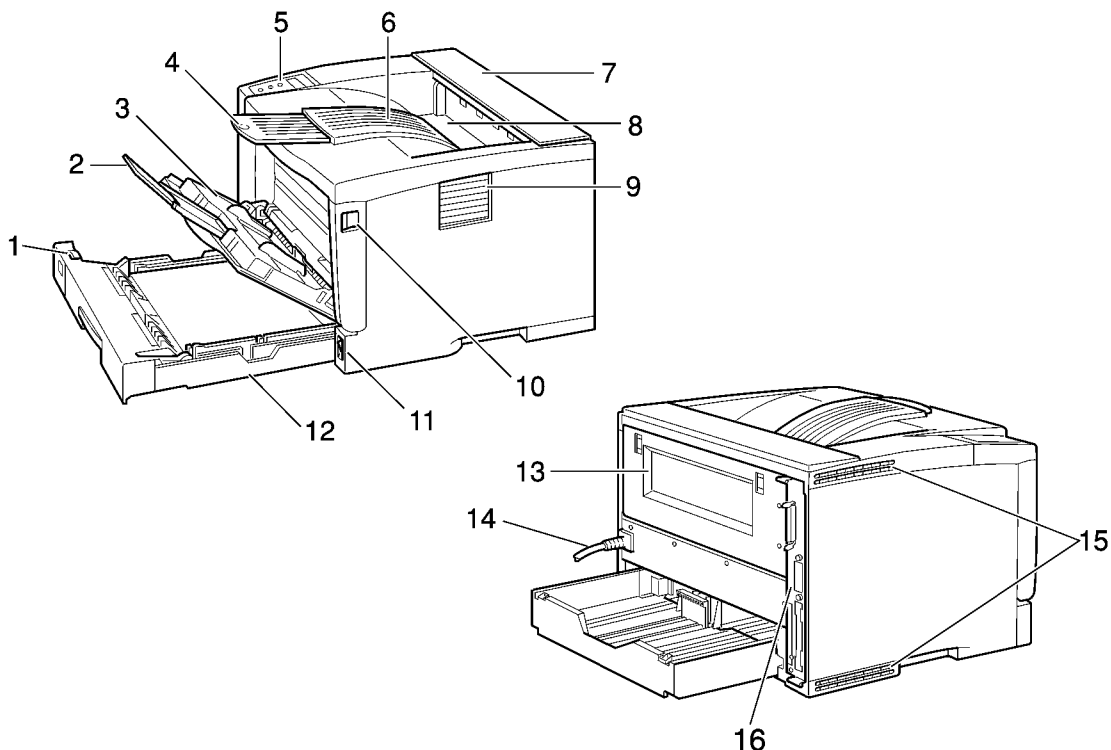
- If you upgrade to Windows 2000 from Windows 95/98/Me or Windows NT 4.0, the software and utilities must be uninstalled prior to installing Windows 2000. Then reinstall them in a Windows 2000 environment.

# Guide to This Printer



## Mainframe

### ◆ Exterior





ZCEH141N

#### 1. Paper Size Dial

Adjust this dial to match the size and feed direction of the paper loaded in the paper tray.

#### 2. Bypass Tray Extension

Pull out this extension to load paper into the bypass tray when its length is longer than A4  or 8<sup>1</sup>/<sub>2</sub>" x 11" .

#### 3. Bypass Tray

Use to print onto thick paper, OHP transparencies, adhesive labels, custom size paper, envelopes as well as plain paper. When printing on custom paper size, printer driver settings are required.

Up to 100 sheets of plain paper (80 g/m<sup>2</sup>, 20 lb) can be loaded.

See "Paper and Other Media Supported by this Printer" and "Loading Paper in the Bypass Tray" in the Printer Reference provided as a PDF file on the CD-ROM labeled "Operating Instructions".



**4. Output Tray Extension**

Pull out this extension when printing on long paper.

**5. Operation Panel**

Contains keys for the printer operation and a panel display that shows the printer status.

**6. Output Tray (Standard Tray)**

Printed output is stacked here with the print side facing down.

**7. Upper Cover**

Remove to install the optional 1-bin Shift Sort Tray or optional the Mailbox.

**8. Paper Exit Cover**

Open this cover to remove misfed paper.

**9. Ventilator**

These holes help to keep components inside the printer from overheating.

**Important**

- Do not block or obstruct the ventilator. A malfunction may occur due to overheating.

**10. Front Cover Release Button**

Use this button to open the front cover.

**11. Power Switch**

Use this switch to turn the printer power on and off.

**12. Paper Tray (Tray 1)**

Loads up to 250 sheets of plain paper (80 g/m<sup>2</sup>, 20 lb) into this tray for printing.

See *"Paper and Other Media Supported by this Printer"* in the Printer Reference provided as a PDF file on the CD-ROM labeled "Operating Instructions".

**Note**

- Paper Tray is displayed "Tray 1" on the panel display.

**13. Rear Cover**

Remove to install the optional Duplex Unit or to replace the Fusing Unit.

**14. Power Cord**

Plug this cord into a wall outlet.

**15. Ventilators**

These holes help to keep components inside the printer from overheating.

**Important**

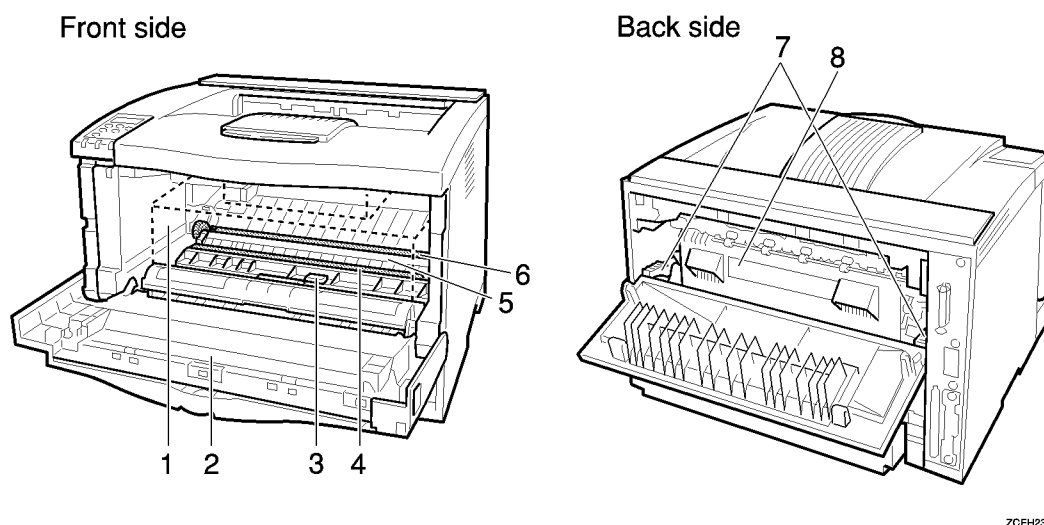
- Do not block or obstruct the ventilators. A malfunction may occur due to overheating.

**16. Controller Board**

Slide it out to install some options. Attach the interface cable, the network interface cable or the 1394 interface cable to the board.



## ◆ Interior



ZCEH230J

### 1. Toner Cartridge

Includes toner and a photoconductor unit.

When "Replace Toner Cartridge" appears on the panel display, replace this unit.

### 2. Front Cover

Open this cover when accessing the inside of the printer.

### 3. Guide Board

Open this board to remove misfed paper.

### 4. Registration Roller

Feeds the paper. If it becomes dirty, clean it.

See "Cleaning the Registration Roller" in the Printer Reference provided as a PDF file on the CD-ROM labeled "Operating Instructions".

### 5. Transfer Roller Cover

Open this cover when replacing a transfer roller.

### 6. Transfer Roller

When "Replace Maintenance Kit" appears on the panel display, replace this roller.

### 7. Fusing Unit Lock Levers

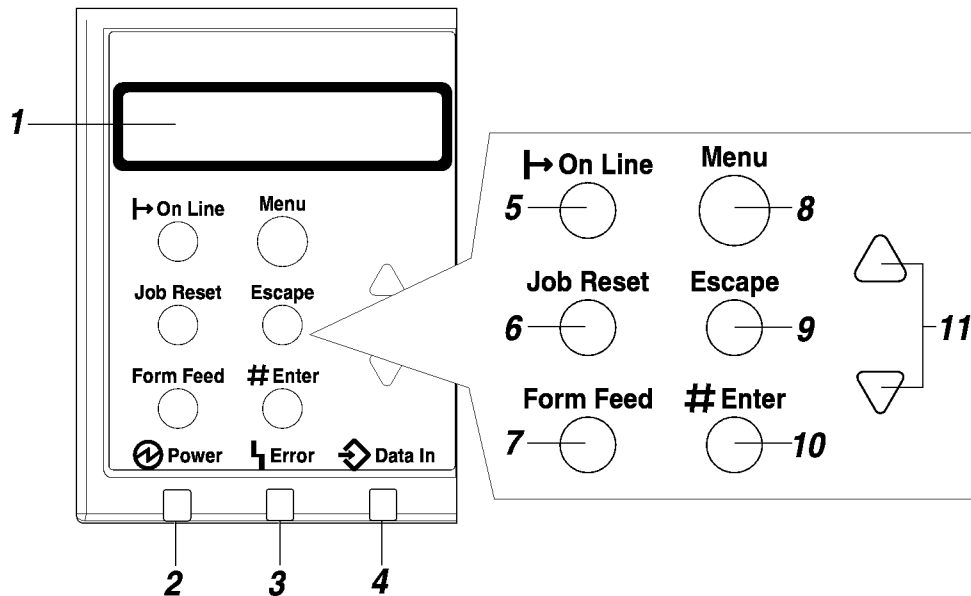
Lift these levers when replacing the fusing unit.

### 8. Fusing Unit

Fuses the image onto paper.

When "Replace Maintenance Kit" appears on the panel display, replace this unit.

## Operation Panel



### 1. Panel display

Shows the current status of the printer and error messages.

See "Error & Status Messages on the Operation Panel" in the Printer Reference provided as a PDF file on the CD-ROM labeled "Operating Instructions".

### 2. Power indicator

Is on while the printer power is on.

Is off when the power is turned off or while the printer is in Energy Saver mode.

### 3. Error indicator

Blinks or lights up whenever any printer error occurs. A message describing the cause of the error also appears on the panel display.

See "Error & Status Messages on the Operation Panel" in the Printer Reference provided as a PDF file on the CD-ROM labeled "Operating Instructions".

### 4. Data In indicator

Blinks while the printer is receiving data from a computer.

Is on if there is data to be printed.

### 5. [Online] key

Press this key to switch the printer between online and offline.

### 6. [Job Reset] key

When the printer is online, press this key to cancel any ongoing print job.

See "Canceling a Print job" in the Printer Reference provided as a PDF file on the CD-ROM labeled "Operating Instructions".

### 7. [Form Feed] key

If the printer is offline, press this key to print all the data left in the printer's input buffer.

#### Note

- This does not work if the printer is online.

### 8. [Menu] key

Press this key to make and check the current printer settings.

See "Making Printer Settings with the Operation Panel" in the Printer Reference provided as a PDF file on the CD-ROM labeled "Operating Instructions".

**9. [Escape] key**

Press this key to return to the previous condition on the panel display.

**10. [Enter #] key**

Press this key to execute menu items selected on the panel display.

Press this key to clear some errors.

See "*Troubleshooting*" in the Printer Reference provided as a PDF file on the CD-ROM labeled "Operating Instructions".

**11. [▲][▼] keys**

Use these keys to increase or decrease values on the panel display when making settings.



# 2. Installing Options

## CAUTION:

- Be sure to turn off the printer and wait for about an hour before installing options. Not waiting for the printer to cool down can result in a burn.
- When lifting the printer, use the inset grips on both sides of the printer, otherwise the printer might fall and cause personal injury.
- When you move the printer, unplug the power cord from the wall outlet to avoid a fire or an electric shock.

## Important

- Rating voltage of the connector for options ; Max. DC24V.

## ◆ Option List

### Note

- See the inside front cover of this manual to confirm which printer (Type 1 or Type 2) you have.

	Type 1 Printer	Type 2 Printer
Paper Feed Unit Type 2600 *1	○	○
Envelope Feeder Type 2600 *2	○	○
1-bin Shift Sort Tray Type 2600 *4	○	○
CS380 (Mailbox) *4	○	○
AD410 (Duplex Unit)	○	○
Memory Unit TypeB 64MB	○	○
Hard Disk Drive Type 2600	○	○
Network Interface Board Type 2600 *3	○	
1394 Interface Unit Type 2600 *3	○	○

○ : This option can be installed.

\*1 You can install any combination of these units. Up to two Paper Feed Units can be installed to the printer at the same time.

\*2 The Envelope Feeder Unit requires the installation of the Paper Feed Unit.

\*3 The Network Interface Board and the 1394 Interface Unit cannot be installed to the printer at the same time.

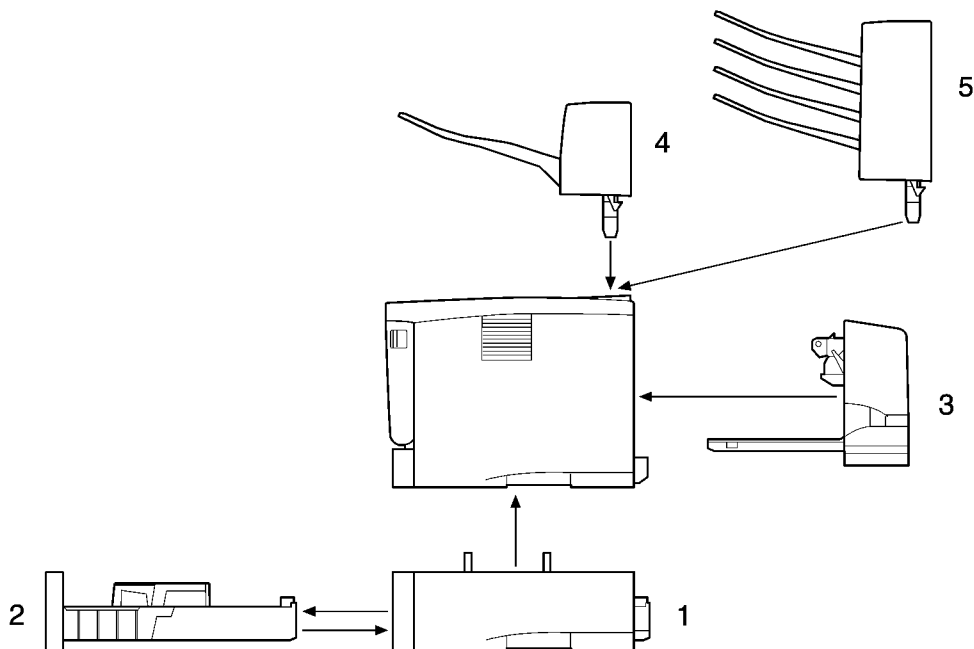
\*4 The 1-bin Shift Sort Tray and the Mailbox cannot be installed to the printer at the same time.

## Available Options

The following options can be installed to the printer.

### ◆ Exterior

2



ZCEH150J

#### 1. Paper Feed Unit Type 2600 (Tray 2 or Tray 3)

You can load up to 500 sheets (60-105g/m<sup>2</sup>, 16-28lb) of plain paper into the tray.

##### Note

- Do not install more than two Paper Feed Units to the printer at the same time.
- Top-most optional Paper Feed Unit is displayed "Tray 2" and bottom-most is displayed "Tray 3" on the panel display.

#### 2. Envelope Feeder Type 2600

You can load up to 60 envelopes (72-90g/m<sup>2</sup>, 19-24lb) into the tray.

##### Note

- The Envelope Feeder is a tray that slides into the optional Paper Feed Unit. Without the optional Paper Feed Unit, the Envelope Feeder cannot be used.
- The Printer can have two optional Paper Feed Units installed at the same time. However the Envelope Feeder should be used in the top-most optional Paper Feed Unit (tray 2). It cannot be used in the bottom-most Paper Feed Unit (tray 3).

#### 3. AD410 (Duplex Unit)

You can print on both sides of paper.

#### 4. 1-bin Shift Sort Tray Type 2600

You can shift and sort the printings.

##### Note

- The 1-bin Shift Sort Tray and the Mailbox cannot be installed to the printer at the same time.

#### 5. CS380 (Mailbox)

You can sort the printings and also deliver them to each tray separately.

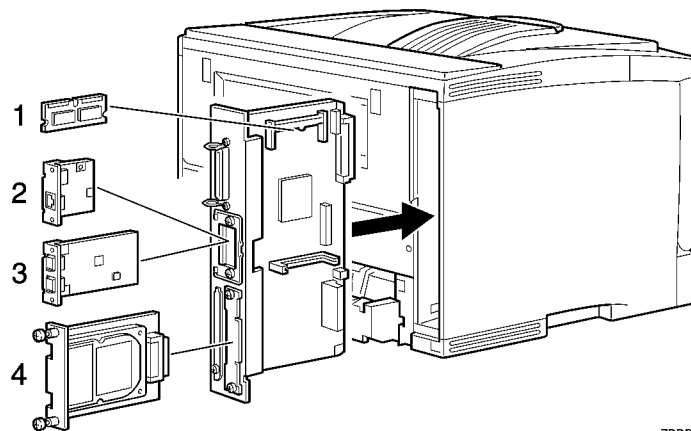
##### Note

- The 1-bin Shift Sort Tray and the Mailbox cannot be installed to the printer at the same time.

#### ❖ Type 1 Printer : Interior

##### Note

- See the inside front cover of this manual to confirm which printer (Type 1 or Type 2) you have.



ZDDP221E

#### 1. Memory Unit TypeB 64MB

You can increase the amount of memory up to 96MB.

#### 2. Network Interface Board Type 2600

You can perform the print job on the network environment.

##### Note

- The Network Interface Board and the 1394 Interface Unit cannot be installed to the printer at the same time.

#### 3. 1394 Interface Unit Type 2600

You can perform the print job on the IEEE 1394 environment.

##### Note

- The 1394 Interface Unit and the Network Interface Board cannot be installed to the printer at the same time.

#### 4. Hard Disk Drive Type 2600

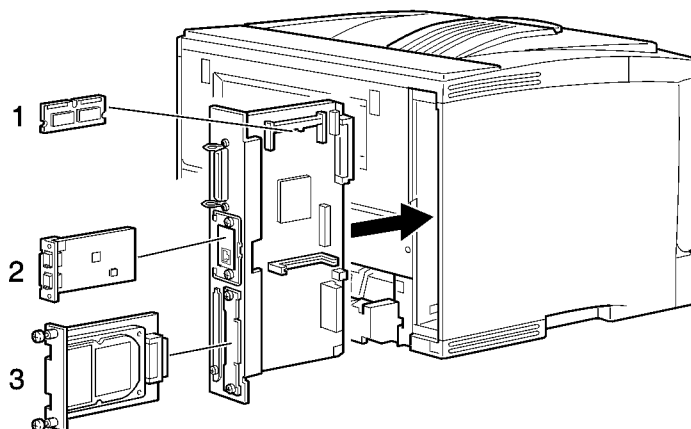
You can use the "Collate", the "Sample Print" and the "Protected Print" functions.

## ❖ Type 2 Printer : Interior

### Note

- See the inside front cover of this manual to confirm which printer (Type 1 or Type 2) you have.

2



ZDDP220E

### 1. Memory Unit TypeB 64MB

You can increase the amount of memory up to 96MB.

### 2. 1394 Interface Unit Type 2600

You can perform the print job on the IEEE1394 environment.

### Note

- The 1394 Interface Unit and the Network Interface Board cannot be installed to the printer at the same time.

### 3. Hard Disk Drive Type 2600

You can use the "Collate", the "Sample Print" and the "Protected Print" functions.



## Free Manuals Download Website

<http://myh66.com>

<http://usermanuals.us>

<http://www.somanuals.com>

<http://www.4manuals.cc>

<http://www.manual-lib.com>

<http://www.404manual.com>

<http://www.luxmanual.com>

<http://aubethermostatmanual.com>

Golf course search by state

<http://golfingnear.com>

Email search by domain

<http://emailbydomain.com>

Auto manuals search

<http://auto.somanuals.com>

TV manuals search

<http://tv.somanuals.com>