

SCAG[®]

POWER EQUIPMENT

MODEL GC-STT-CS



THIS MANUAL CONTAINS THE OPERATING INSTRUCTIONS AND SAFETY INFORMATION FOR YOUR SCAG ACCESSORY. READING THIS MANUAL WILL PROVIDE YOU WITH MAINTENANCE AND ADJUSTMENT PROCEDURES TO KEEP YOUR ACCESSORY PERFORMING TO MAXIMUM EFFICIENCY. THE SPECIFIC MODELS THAT THIS BOOK COVERS ARE CONTAINED ON THE INSIDE COVER. BEFORE OPERATING YOUR MACHINE, PLEASE READ ALL THE INFORMATION ENCLOSED.

OPERATOR'S MANUAL

PART NUMBER 03140



WARNING

FAILURE TO FOLLOW SAFE OPERATING PRACTICES MAY RESULT IN SERIOUS INJURY.

- * Keep all safety shields in place.
- * Before performing any maintenance or service, stop the machine and remove the spark plug wire.
- * If a mechanism becomes clogged, stop the engine and wait for all moving parts to come to a complete halt before cleaning.
- * Keep hands, feet and clothing away from power-driven parts.
- * Read this manual completely as well as the Operator's Manual that came with your mower.
- * Keep others off the tractor (only one person at a time).

REMEMBER - YOUR MOWER IS ONLY AS SAFE AS THE OPERATOR!

Hazard control and accident prevention are dependent upon the awareness, concern, prudence, and proper training of the personnel involved in the operation, transport, maintenance, and storage of the equipment.

This manual covers the operating instructions
and illustrated parts list for:

GC-STT-CS52 with a serial number of 9560001 to 9569999

GC-STT-CS61 with a serial number of 9570001 to 9579999

GC-STT-CS72 with a serial number of 9580001 to 9589999

1.1 INTRODUCTION

This manual has been prepared to provide the information you need to correctly assemble, operate, and maintain this grass catcher. Read it carefully and keep it for future reference.

The replacement of any part on this product by other than the manufacturer's authorized replacement part may adversely affect the performance, durability or safety of this product.

USE OF OTHER THAN ORIGINAL SCAG REPLACEMENT PARTS WILL VOID THE WARRANTY.

If additional information or service is needed that is not outlined in this manual, please contact your Scag Power Equipment dealer. Scag dealers are trained in the latest service methods and carry a full line of Scag replacement parts.

When ordering parts, always provide the complete model and serial number of your catcher.

All information provided in this manual is based upon information available at the time of printing. Scag Power Equipment reserves the right to make changes at any time without notice or obligation.

1.2 DIRECTION REFERENCE

The "Right" and "Left", "Front" and "Rear" of the machine are referenced from the normal operating position.

2.1 SAFETY AND OPERATING INSTRUCTIONS

-NOTE-

To avoid personal injury, it is imperative that all safety instructions be observed.

1. **Read this operator's manual and the operator's manual that is supplied with the machine this attachment is used on.**

A replacement manual is available from your authorized Scag Service Dealer or by contacting: Scag Power Equipment, Service Department at P.O. Box 152, Mayville, WI 53050. You may also contact us through our website at www.scag.com. Please indicate the complete model number of your Scag product when ordering a replacement manual.

WARNING

DO NOT OPERATE WITHOUT DISCHARGE CHUTE, MULCHING KIT, OR ENTIRE GRASS CATCHER INSTALLED

2. Before removing material from hopper, disengage the mower and wait for all movement to stop.
3. **ALWAYS** turn the engine **OFF**, remove the key and wait for all movement to stop before servicing or cleaning the mower or the grass catcher.
4. Do not modify or alter any component of the grass catcher attachment or mower.
5. Do not allow any passengers to ride on the grass catcher attachment or on the mower.

2.2 GRASS CATCHING OPERATION

1. With the hopper door closed, engage the deck drive.
2. Proceed to mow until the hopper is full.

3. When dumping the hopper into a disposal area:



- A. Disengage the deck drive, apply the parking brake and allow all moving parts to come to a complete stop.
- B. Pull downward on the hopper door handle to allow the hopper sweeper to remove the material from inside the hopper. See Figure 2-1.

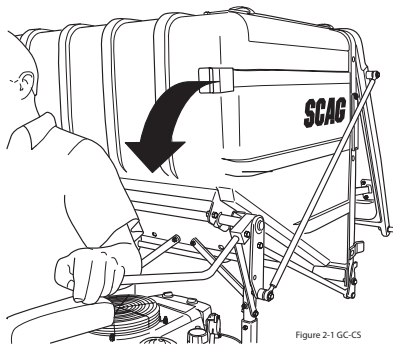


FIGURE 2-1

- C. Once the material has been completely removed from the hopper, lift the hopper door handle to close the hopper door and lock into place. See Figure 2-2.

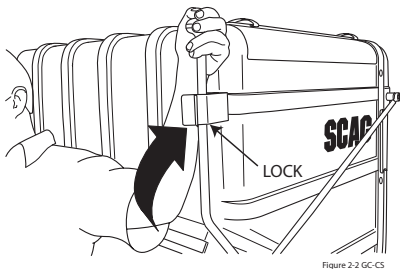


FIGURE 2-2

4. When dumping the hopper into a disposal area, inspect the hopper debris screen for material. When the debris screen is full of material, the grass catching ability may suffer. Frequency of cleaning the hopper debris screen will vary depending on conditions.

5. To clean the hopper debris screen;

- A. Disengage the deck drive and allow all moving parts to come to a complete stop.
- B. Apply parking brake and shut off the engine.
- C. Stand on the left side of the hopper assembly.
- D. Unhook the debris screen latches and remove the debris screen from the hopper. See Figure 2-3.

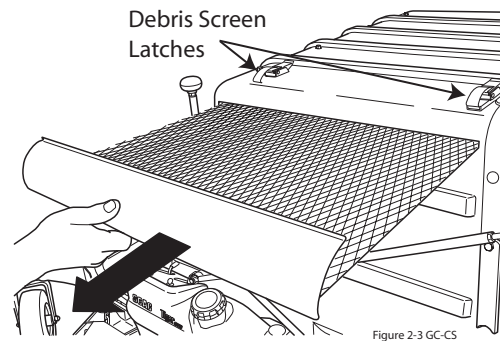


FIGURE 2-3

- E. Remove material from the debris screen and reinstall. Secure by latching the debris screen latches.
6. When service is needed inside the hopper, disengage the deck drive and allow all moving parts to come to a complete stop, shut off the engine and apply the parking brake. Rotate the hopper door prop rod upward until it contacts the hopper door. This will prevent the hopper door from moving until the service is complete. See Figure 2-4.

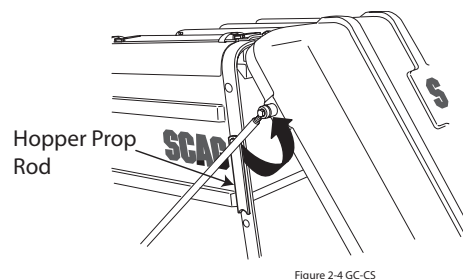


FIGURE 2-4

3.1 ASSEMBLY INSTRUCTIONS FOR 52" CUTTER DECKS

-NOTE-

Use the illustrated parts list as a part number reference when following the assembly instructions.

1. Remove all packaging materials. Lay out the mounting hardware and the catcher assembly parts for easy access. Prepare the work area making sure that it is a clean, safe environment.
2. Remove the discharge chute from the cutter deck. See Figure 3-1.

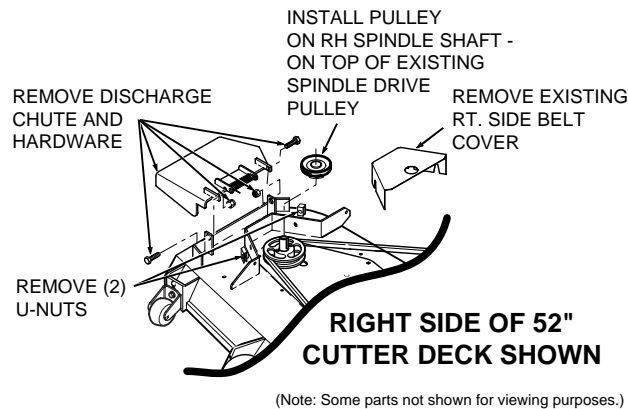


FIGURE 3-1

-NOTE-

Do not discard the discharge chute or mounting hardware. The discharge chute **MUST** be reinstalled anytime the grass catcher has been removed from the machine.

! WARNING

DO NOT OPERATE WITHOUT DISCHARGE CHUTE, MULCHING KIT, OR ENTIRE GRASS CATCHER INSTALLED

3. When installing this grass catcher on a machine with a serial number below 8619999, you will need to remove the discharge baffle from the bottom of the cutter deck. See Figure 3-2. Replace the discharge baffle with the new baffle provided with this grass catcher. Secure using the following hardware:

- (1) 04001-12 Hex Head Bolt 5/16-18 x 1-3/4"
- (1) 04001-09 Hex Head Bolt 5/16-18 x 1"
- (3) 04040-15 Flatwasher
- (3) 04021-10 Nut, Elastic Stop 5/16-18

When installing this grass catcher on an Advantage deck, install the front baffle to the cutter deck. See Figure 3-2. Secure using the following hardware:

- (2) 04017-05 Bolt, Hex Head 1/4-20 x 3/4"
- (2) 04019-02 Nut, Serrated Flange 1/4-20
- (2) 04003-23 Bolt, Carriage 3/8-16 x 1"
- (2) 04041-07 Flatwasher
- (2) 04021-09 Nut, Elastic Stop 3/8-16

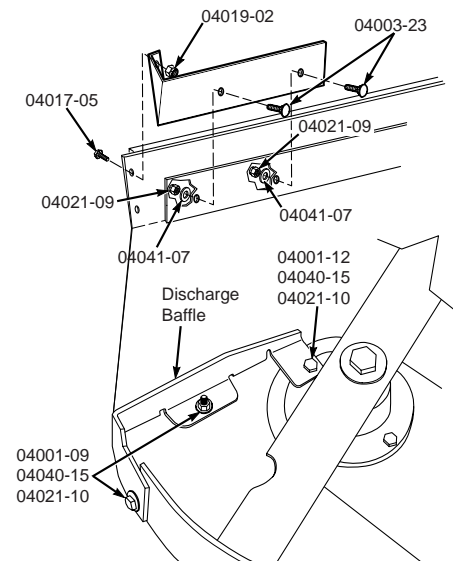


FIGURE 3-2

4. Remove the right side belt cover to gain access to the spindle assembly. Remove the u-nuts from the front and rear of the cutter deck bracket. See Figure 3-1.
5. Install the grass catcher pulley onto the spindle assembly. Apply loctite to both pulley setscrews and tighten. See Figure 3-1.

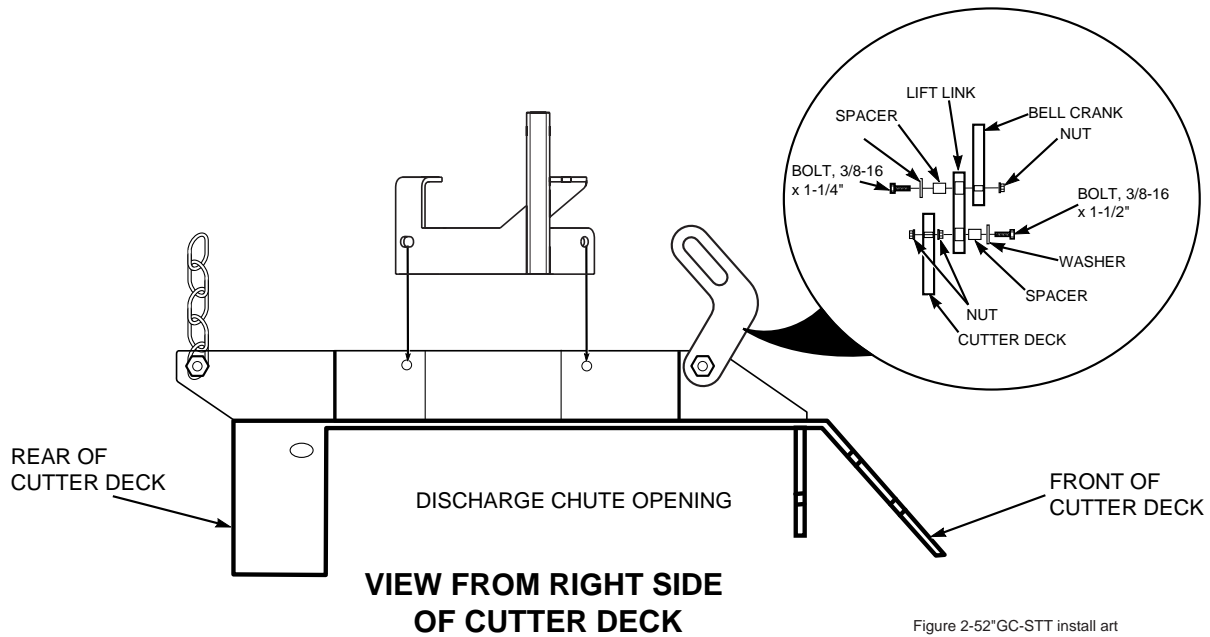


FIGURE 3-3

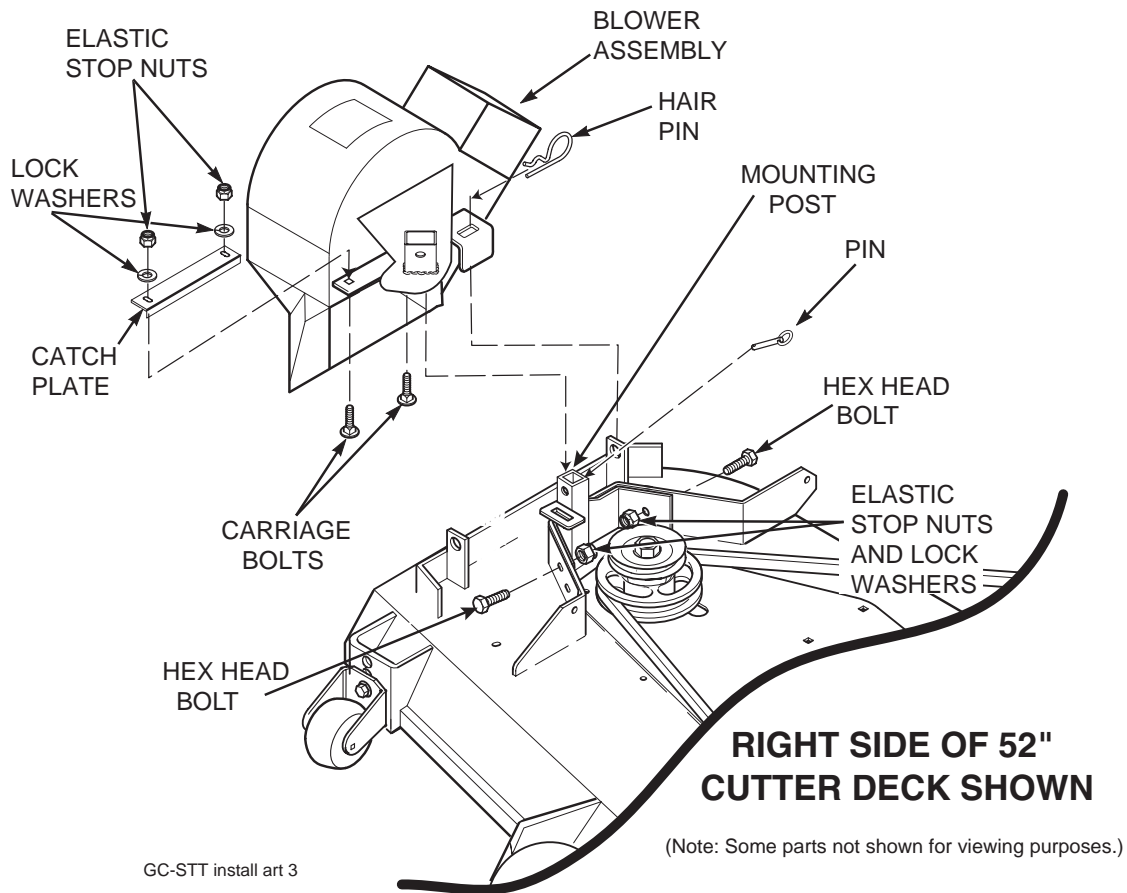


FIGURE 3-4

6. Install the blower mounting bracket to the deck using 1/2-13 x 1-1/2" hex head bolts (p/n 04001-71), 1/2" spring lockwashers (p/n 04030-06), and 1/2-13 elastic stop nuts (p/n 04021-07). See Figure 3-3, Page 3. Do not fully tighten the hardware at this time.
7. Block the right front side on the cutter deck and remove the hang chain. Install the deck lift link. Secure using hex head bolts (p/n 04001-32, 04001-20), flatwashers (p/n 04041-07), spacers (p/n 43212), and serrated flange nuts (p/n 04019-04). See Figure 3-3.
8. Install the new belt cover from the cutter deck to the blower mounting bracket and secure with one of the original belt cover plastic wing nuts.
9. Install the catch plate (p/n 423297) to the blower assembly using 3/8-16 x 1-1/4" carriage bolts (p/n 04003-11) facing upward. Secure with 3/8" spring lockwashers (p/n 04030-04) and 3/8-16 elastic stop nuts (p/n 04021-09). Do not fully tighten the hardware at this time.
10. Install the blower assembly to the mounting bracket and secure with the mounting pin and large hair pin. See Figure 3-4, Page 3.
11. Align the blower assembly with the discharge opening of the cutter deck. Tighten the hardware for the mounting bracket. Then tighten the hardware for the catch plate.
12. Install the belt to the spindle pulley. When replacing the belt, see figure below.
13. Install the plastic belt cover and secure with the plastic wing nuts. See Page 20 of the Illustrated Parts List for proper installation.
14. Install the hopper mounting brackets (p/n 451512 & p/n 451595) to the outside of the frame on the rear of the machine using 3/8-16 x 1" hex head bolts (p/n 04001-19) and 3/8-16 elastic stop nuts (p/n 04021-09). See Figure 5-6, Page 15.
15. Install the catcher support bracket onto the rear of the machine and secure with 5/16-18 x 1" carriage bolts (p/n 04003-04) and 5/16-18 serrated flange nuts (p/n 04019-03) See Figure 3-5.

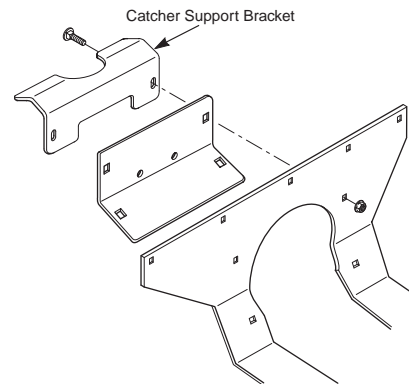


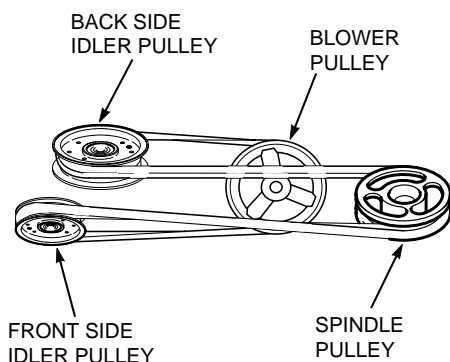
FIGURE 3-5

16. With the help of an assistant, install the hopper assembly into the hopper mounting brackets. See Figure 5-6, Page 15.
17. Install the hose from the blower assembly to the hopper assembly. Secure using the 8-1/2" clamps.

-NOTE-

When installing this catcher on machines equipped with an air cooled engine the discharge hose should be shortened to 56" in length.

The hopper dump handle can be installed on either side for operator convenience. When installing this grass catcher on a machine with the Roll Over Protection System (ROPS), the curved handle will need to be installed on the right side.



18. Install the weight support bar to the front of the machine by resting it directly on top of the caster support arms and sliding it tight against the frame of the machine. Secure the weight bar to the machine using (2) bar clamps, (4) 3/8-16 x 1-1/2" bolts and (4) 3/8-16 elastic stop nuts. See Figure 3-6.
19. Install the weight assemblies to the weight support bar and secure them to the bar using the 1/2"x 6-1/4" pin and lanyard. See Figure 3-6

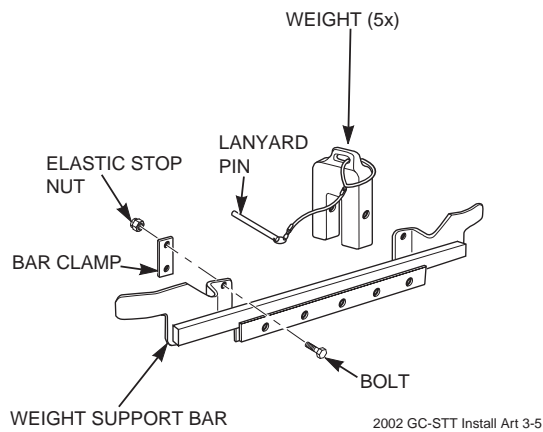


FIGURE 3-6

20. Operate and test.

4.1 ASSEMBLY INSTRUCTIONS FOR 61" CUTTER DECKS

-NOTE-

Use the illustrated parts list as a part number reference when following the assembly instructions.

1. Remove all packaging materials. Lay out the mounting hardware and the catcher assembly parts for easy access. Prepare the work area making sure that it is a clean, safe environment.
2. Remove the discharge chute from the cutter deck. See Figure 4-1.

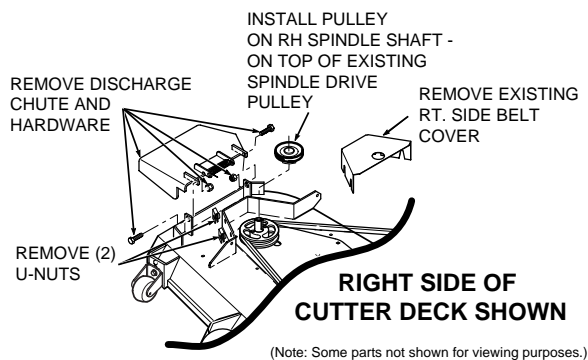


FIGURE 4-1

-NOTE-

Do not discard the discharge chute or mounting hardware. The discharge chute **MUST** be reinstalled anytime the grass catcher has been removed from the machine.



3. When installing this grass catcher on a machine with a serial number below 8619999, you will need to remove the discharge baffle from the bottom of the cutter deck. See Figure 3-2. Replace the discharge baffle with the new baffle provided with this grass catcher. Secure using the following hardware:

- (1) 04001-12 Hex Head Bolt 5/16-18 x 1-3/4"
- (1) 04001-09 Hex Head Bolt 5/16-18 x 1"
- (3) 04040-15 Flatwasher
- (3) 04021-10 Nut, Elastic Stop 5/16-18

When installing this grass catcher on an Advantage deck, install the front baffle to the cutter deck. See Figure 4-2. Secure using the following hardware:

- (2) 04017-05 Bolt, Hex Head 1/4-20 x 3/4"
- (2) 04019-02 Nut, Serrated Flange 1/4-20
- (2) 04003-23 Bolt, Carriage 3/8-16 x 1"
- (2) 04041-07 Flatwasher
- (2) 04021-09 Nut, Elastic Stop 3/8-16

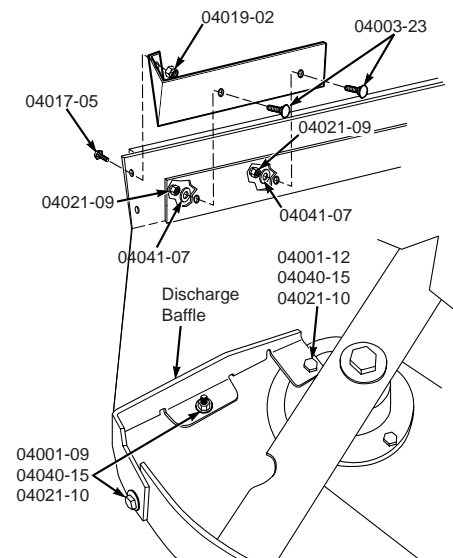


FIGURE 4-2

4. Remove the right side belt cover to gain access to the spindle assembly. Remove the two front u-nuts from the cutter deck bracket. See Figure 4-1.
5. Install the grass catcher pulley onto the spindle assembly. Apply loctite to both pulley setscrews and tighten. See Figure 4-1.

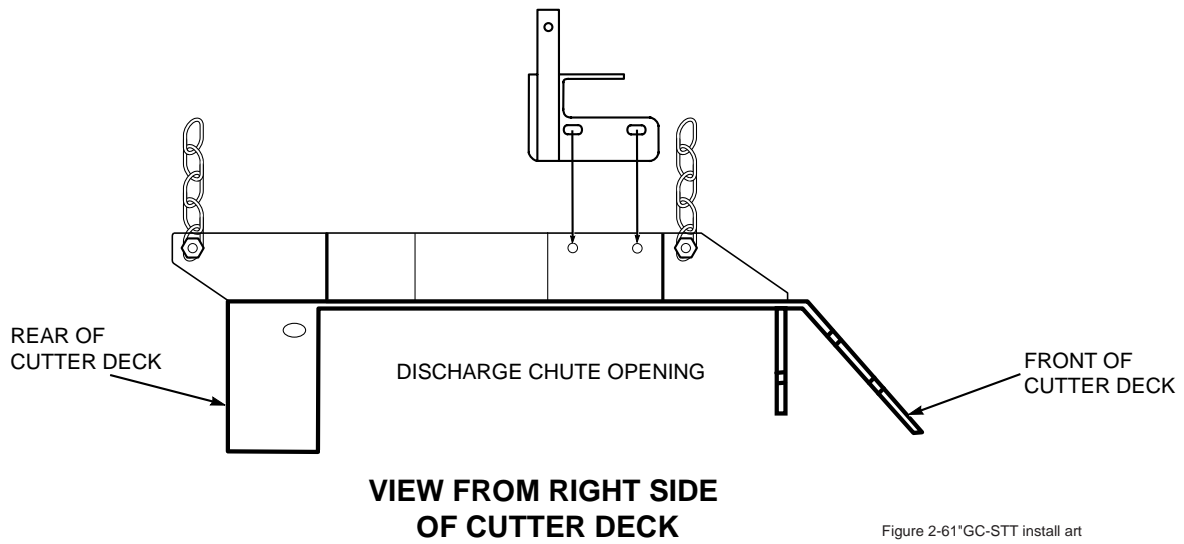


FIGURE 4-3

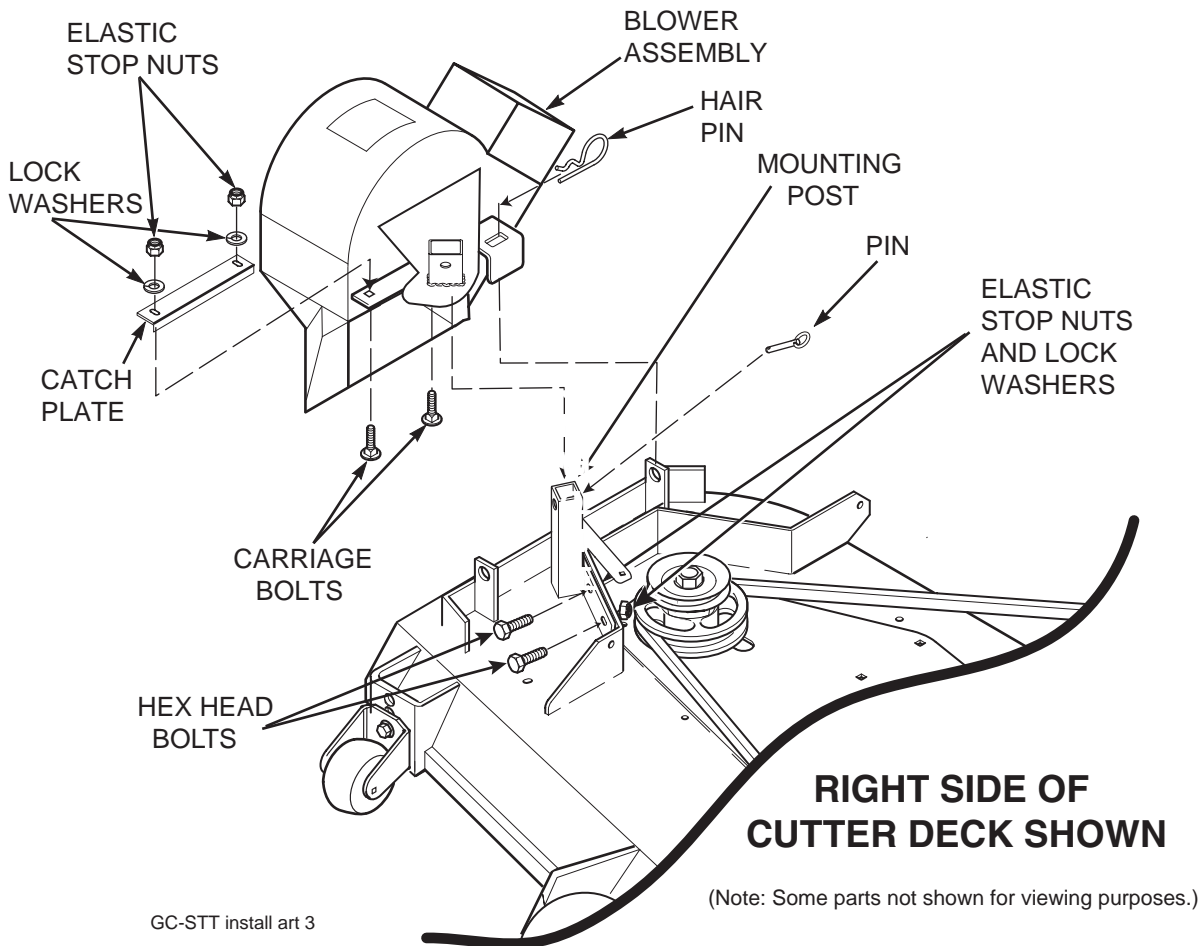


FIGURE 4-4

6. Install the blower mounting bracket to the deck using 1/2-13 x 1-1/2" hex head bolts (p/n 04001-71), 1/2" spring lockwashers (p/n 04030-06), and 1/2-13 elastic stop nuts (p/n 04021-07). See Figure 4-3, Page 8. Do not fully tighten the hardware at this time.
7. Install the catch plate (p/n 423297) to the blower assembly using 3/8-16 x 1-1/4" carriage bolts (p/n 04003-11) facing upward. See Figure 4-4, Page 8. Secure with 3/8" spring lockwashers (p/n 04030-04) and 3/8-16 elastic stop nuts (p/n 04021-09). Do not fully tighten the hardware.
8. Install the blower assembly to the mounting bracket and secure with the mounting pin and large hair pin. See Figure 4-4, Page 8.
9. Align the blower assembly with the discharge opening of the cutter deck. Tighten the hardware for the mounting bracket. Then tighten the hardware for the catch plate.
10. Install the belt to the spindle pulley. When replacing the belt, see figure below.
12. Install the hopper mounting brackets (p/n 451512 & p/n 451595) to the outside of the frame on the rear of the machine using 3/8-16 x 1" hex head bolts (p/n 04001-19) and 3/8-16 elastic stop nuts (p/n 04021-09). See Figure 5-6, Page 15.
13. Install the catcher support bracket onto the rear of the machine and secure with 5/16-18 x 1" carriage bolts (p/n 04003-04) and 5/16-18 serrated flange nuts (p/n 04019-03) See Figure 4-5.

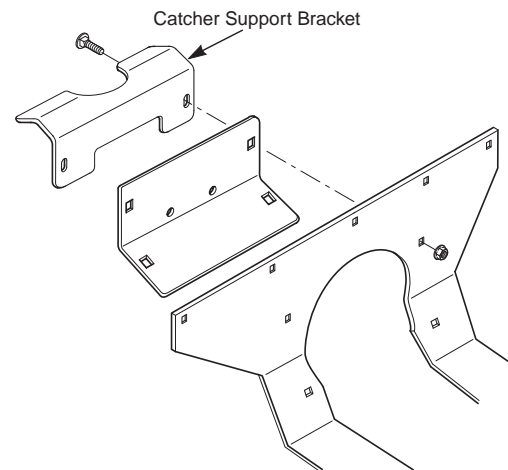
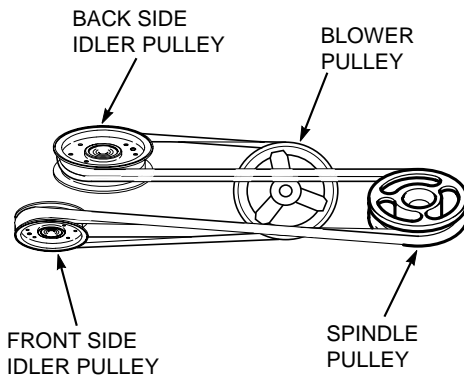


FIGURE 4-5



11. Install the new belt covers and secure with the plastic wing nuts. See Page 16 of the Illustrated Parts List for proper installation.

14. With the help of an assistant, install the hopper assembly into the hopper mounting brackets. See Figure 5-6, Page 15.
15. Install the hose from the blower assembly to the hopper assembly. Secure using the 8-1/2" clamps.

-NOTE-

When installing this catcher on machines equipped with an air cooled engine the discharge hose should be shortened to 56" in length.

The hopper dump handle can be installed on either side for operator convenience. When installing this grass catcher on a machine with the Roll Over Protection System (ROPS), the curved handle will need to be installed on the right side.

16. Install the weight support bar to the front of the machine by resting it directly on top of the caster support arms and sliding it tight against the frame of the machine. Secure the weight bar to the machine using (2) bar clamps, (4) 3/8-16 x 1-1/2" bolts and (4) 3/8-16 elastic stop nuts. See Figure 4-6.
17. Install the weight assemblies to the weight support bar and secure them to the bar using the 1/2"x 6-1/4" pin and lanyard. See Figure 4-6.

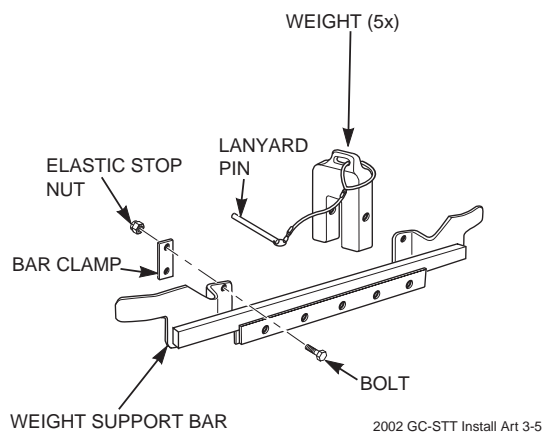


FIGURE 4-6

18. Operate and test.

5.1 ASSEMBLY INSTRUCTIONS FOR 72" CUTTER DECKS

-NOTE-

Use the illustrated parts list as a part number reference when following the assembly instructions.

1. Remove all packaging materials. Lay out the mounting hardware and the catcher assembly parts for easy access. Prepare the work area making sure that it is a clean, safe environment.
2. Remove the discharge chute from the cutter deck. See Figure 5-1.

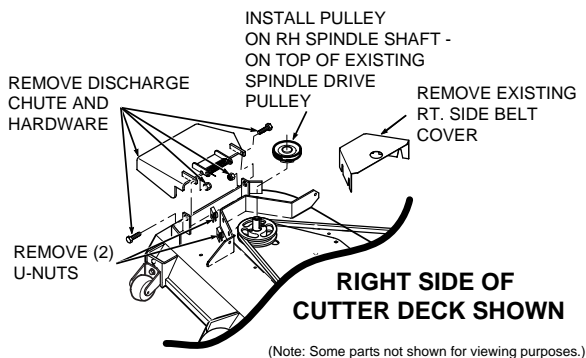


FIGURE 5-1

-NOTE-

Do not discard the discharge chute or mounting hardware. The discharge chute **MUST** be reinstalled anytime the grass catcher has been removed from the machine.



3. When installing this grass catcher on a machine with a serial number below 8619999, you will need to remove the discharge baffle from the bottom of the cutter deck. See Figure 5-2. Replace the discharge baffle with the new baffle provided with this grass catcher. Secure using the following hardware:

- (1) 04001-12 Hex Head Bolt 5/16-18 x 1-3/4"
- (1) 04001-09 Hex Head Bolt 5/16-18 x 1"
- (3) 04040-15 Flatwasher
- (3) 04021-10 Nut, Elastic Stop 5/16-18

When installing this grass catcher on an Advantage deck, install the front baffle to the cutter deck. See Figure 4-2. Secure using the following hardware:

- (2) 04017-05 Bolt, Hex Head 1/4-20 x 3/4"
- (2) 04019-02 Nut, Serrated Flange 1/4-20
- (2) 04003-23 Bolt, Carriage 3/8-16 x 1"
- (2) 04041-07 Flatwasher
- (2) 04021-09 Nut, Elastic Stop 3/8-16

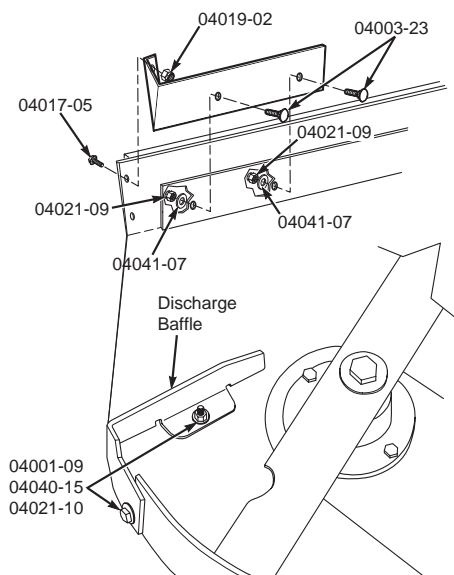


FIGURE 5-2

4. Remove the right side belt cover to gain access to the spindle assembly. Remove the two front u-nuts from the cutter deck bracket. See Figure 5-1.
5. Install the grass catcher pulley onto the spindle assembly. Apply loctite to both pulley setscrews and tighten. See Figure 5-1.

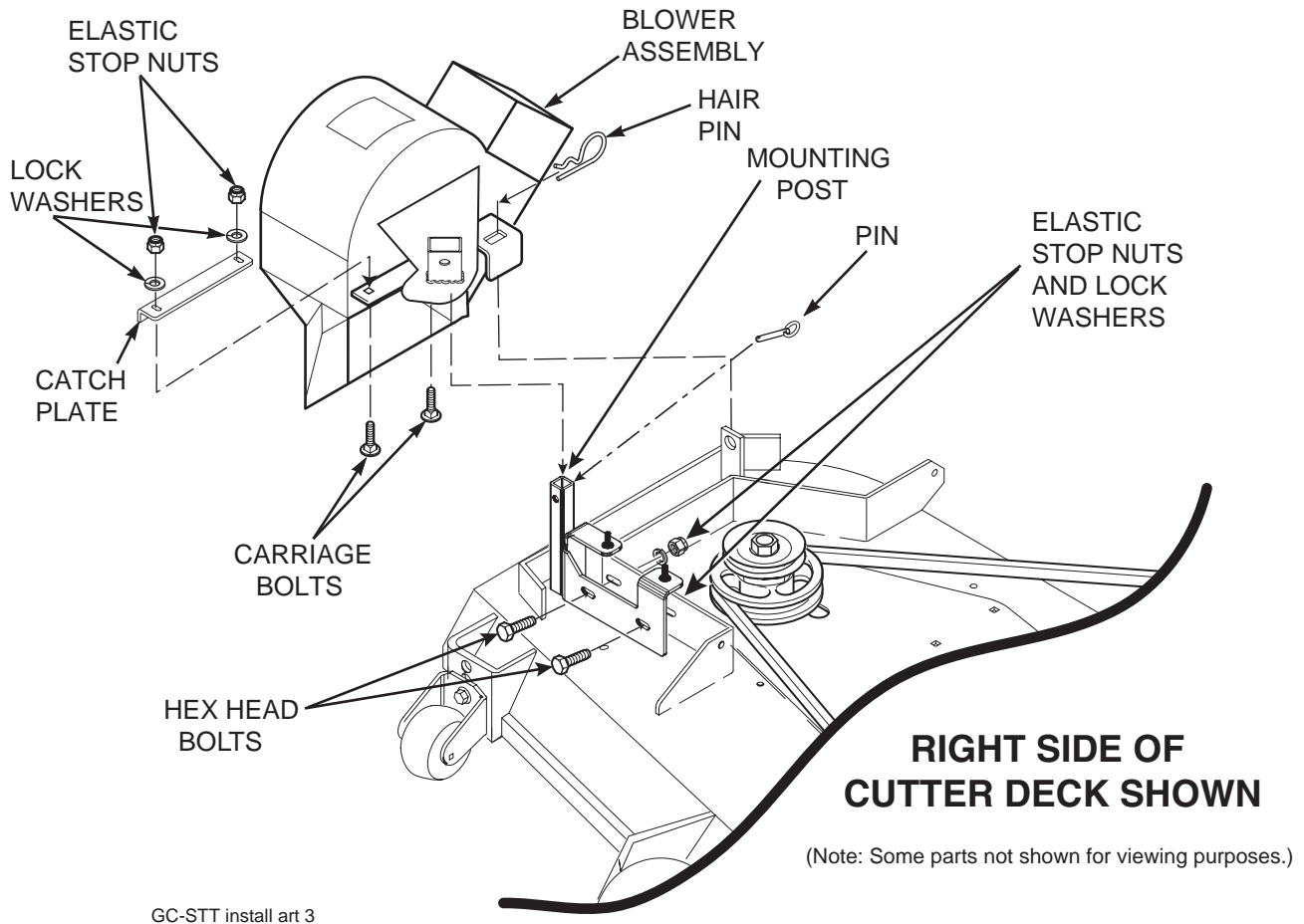


FIGURE 5-3

6. Install the blower mounting bracket to the deck using 1/2-13 x 1-1/2" hex head bolts (p/n 04001-71), 1/2" spring lockwashers (p/n 04030-06), and 1/2-13 elastic stop nuts (p/n 04021-07). See Figure 5-3, Page 12. Do not fully tighten the hardware at this time.
7. Install the new belt cover from the cutter deck to the blower mounting bracket and secure with one of the original belt cover plastic wing nuts.
8. Install the catch plate (p/n 423297) to the blower assembly using 3/8-16 x 1-1/4" carriage bolts (p/n 04003-11) facing upward. See Figure 5-3, Page 12. Secure with 3/8" spring lockwashers (p/n 04030-04) and 3/8-16 elastic stop nuts (p/n 04021-09). Do not fully tighten the hardware at this time.
9. Install the blower assembly to the mounting bracket and secure with the mounting pin and large hair pin. See Figure 5-3, Page 12.
10. Align the blower assembly with the discharge opening of the cutter deck. Tighten the hardware for the mounting bracket. Then tighten the hardware for the catch plate.
11. Install the belt to the spindle pulley. When replacing the belt, see figure below.
12. Install the plastic belt cover and secure with the plastic wing nuts. See Page 20 of the Illustrated Parts List for proper installation.
13. Install the hopper mounting brackets (p/n 451512 & p/n 451595) to the outside of the frame on the rear of the machine using 3/8-16 x 1" hex head bolts (p/n 04001-19) and 3/8-16 elastic stop nuts (p/n 04021-09). See Figure 5-6, Page 15.
14. Install the catcher support bracket onto the rear of the machine and secure with 5/16-18 x 1" carriage bolts (p/n 04003-04) and 5/16-18 serrated flange nuts (p/n 04019-03) See Figure 5-4.

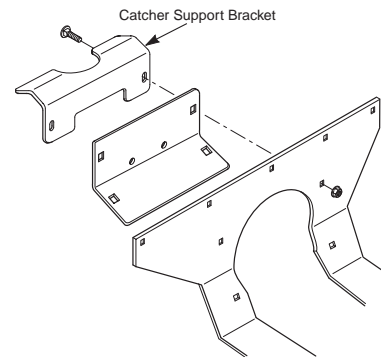
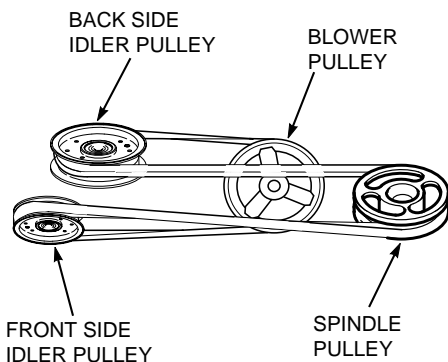


FIGURE 5-4



15. With the help of an assistant, install the hopper assembly into the hopper mounting brackets. See Figure 5-6, Page 15.
16. Install the hose from the blower assembly to the hopper assembly. Secure using the 8-1/2" clamps.

-NOTE-

When installing this catcher on machines equipped with an air cooled engine the discharge hose should be shortened to 56" in length.

The hopper dump handle can be installed on either side for operator convenience. When installing this grass catcher on a machine with the Roll Over Protection System (ROPS), the curved handle will need to be installed on the right side.

17. Install the weight support bar to the front of the machine by resting it directly on top of the caster support arms and sliding it tight against the frame of the machine. Secure the weight bar to the machine using (2) bar clamps, (4) 3/8-16 x 1-1/2" bolts and (4) 3/8-16 elastic stop nuts. See Figure 4-6.
18. Install the weight assemblies to the weight support bar and secure them to the bar using the 1/2" x 6-1/4" pin and lanyard. See Figure 5-5

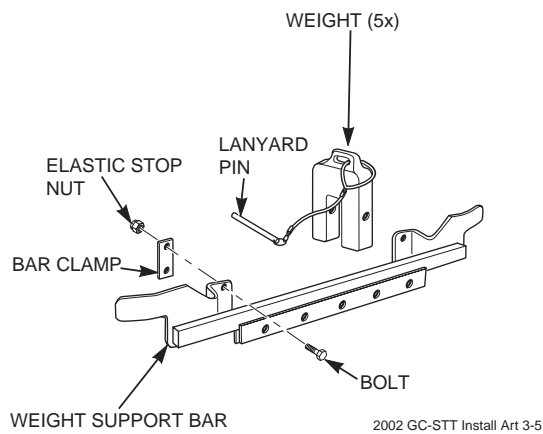


FIGURE 5-5

19. Operate and test.

Item #	Part #	Description
1	04001-19	Bolt, Hex Head 3/8-16 x 1"
2	04021-09	Nut, Elastic Stop 3/8-16
3	04066-03	Quick Pin
4	423670	Spacer, Hitch
5	451512	Hitch Bracket Weldment
	451595	Hitch Bracket Weldment, Floating

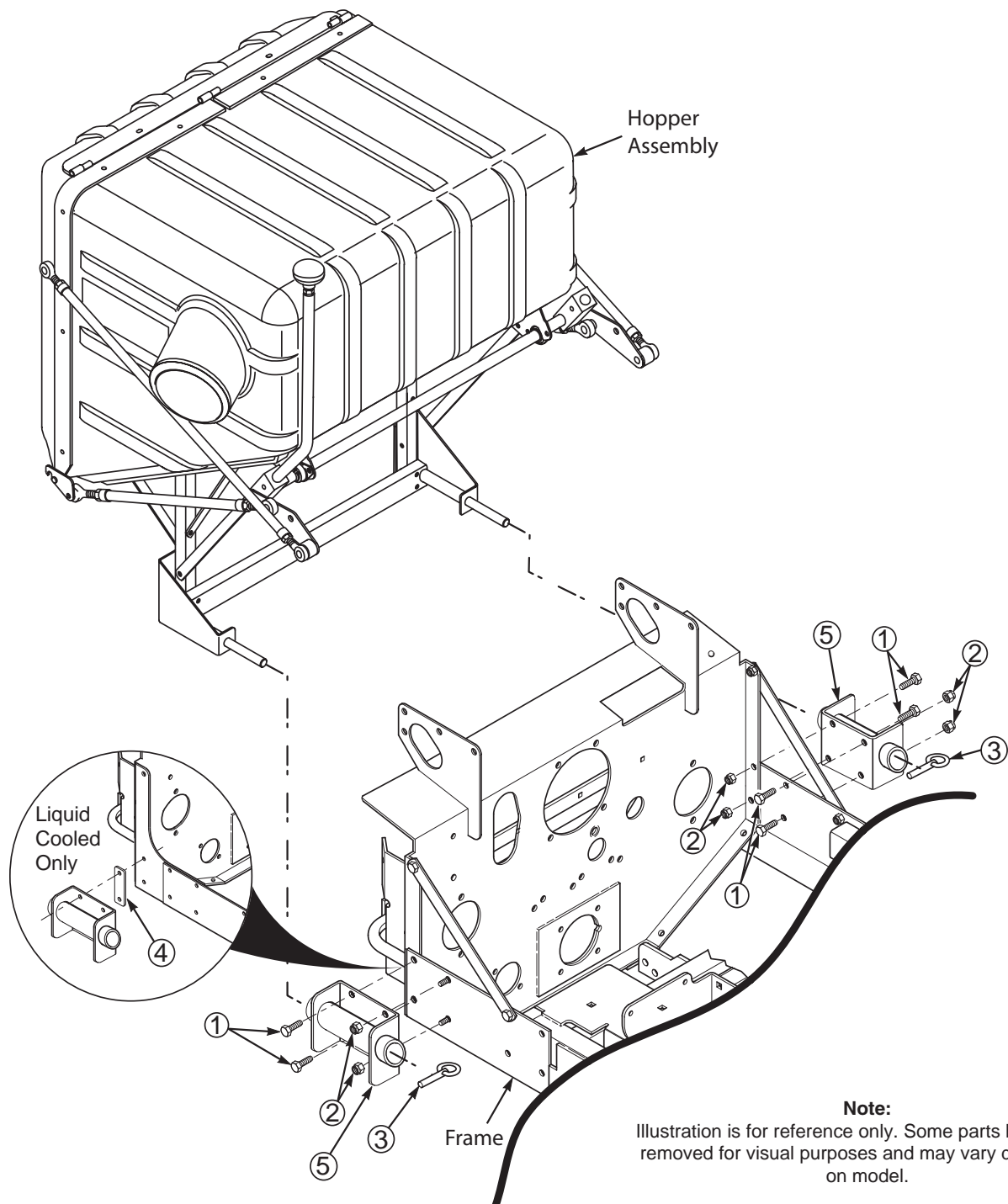


FIGURE 5-6

6.1 GRASS CATCHER REMOVAL INSTRUCTIONS

1. Prepare the work area making sure that it is a clean, safe environment.
2. Remove the rubber strap holding the adapter to the blower assembly. See Figure 5-1.
3. Remove the belt from the spindle pulley.
4. Remove the pin holding the blower assembly to the mounting bracket on the cutter deck and remove the blower assembly. See Figure 5-1.

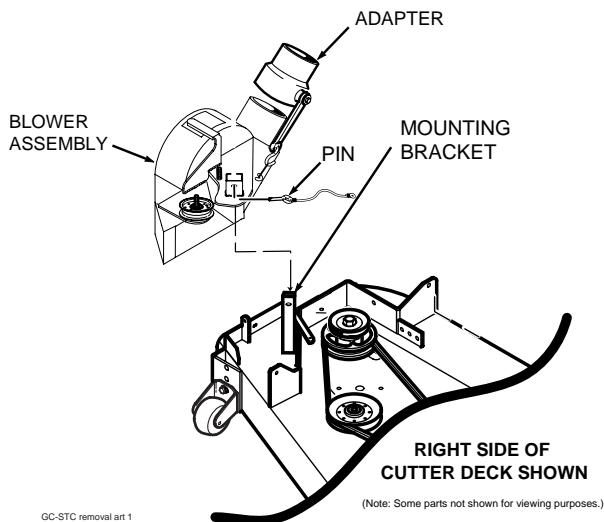


FIGURE 5-1

5. Remove the two (2) pins holding the hopper assembly to the mounting brackets on the rear of the machine. See Figure 5-2.

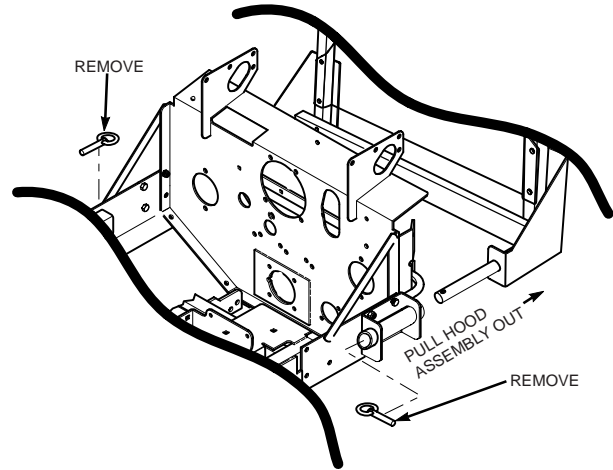


FIGURE 5-2

6. With the help of an assistant, remove the hopper assembly.
7. Remove the front weights by removing the quick pins.
8. Re-install the side discharge chute to the opening on the cutter deck. Replace the two (2) outside mounting bolts on the discharge chute with the clevis pins (p/n 04064-15) and rue cotter pins (p/n 04069-03). See Figure 5-3.

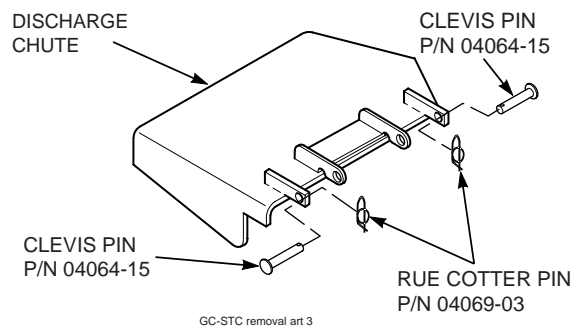


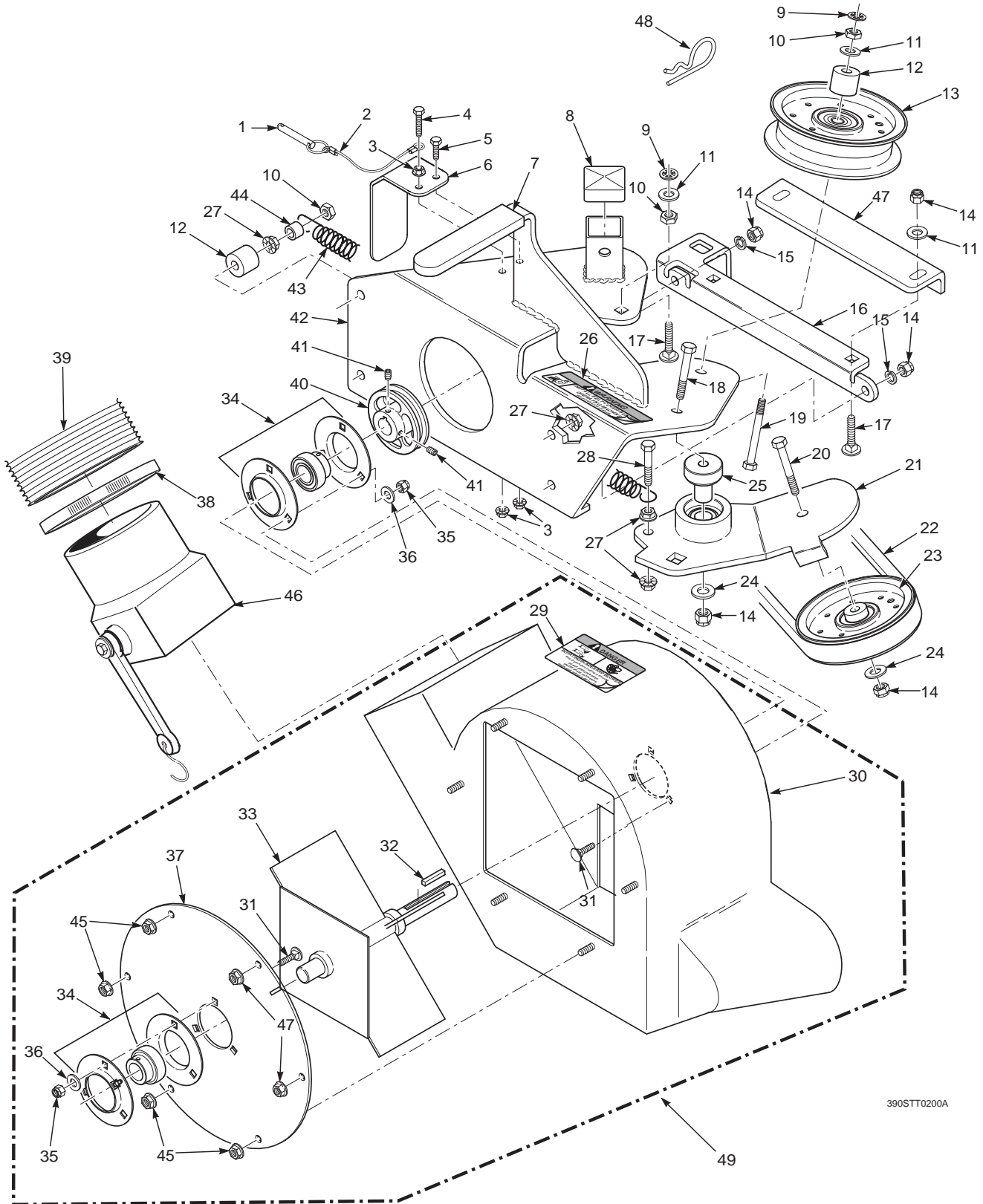
FIGURE 5-3

! WARNING

DO NOT OPERATE WITHOUT DISCHARGE CHUTE, MULCHING KIT, OR ENTIRE GRASS CATCHER INSTALLED

Notes

GC-STT BLOWER HOUSING ASSEMBLY

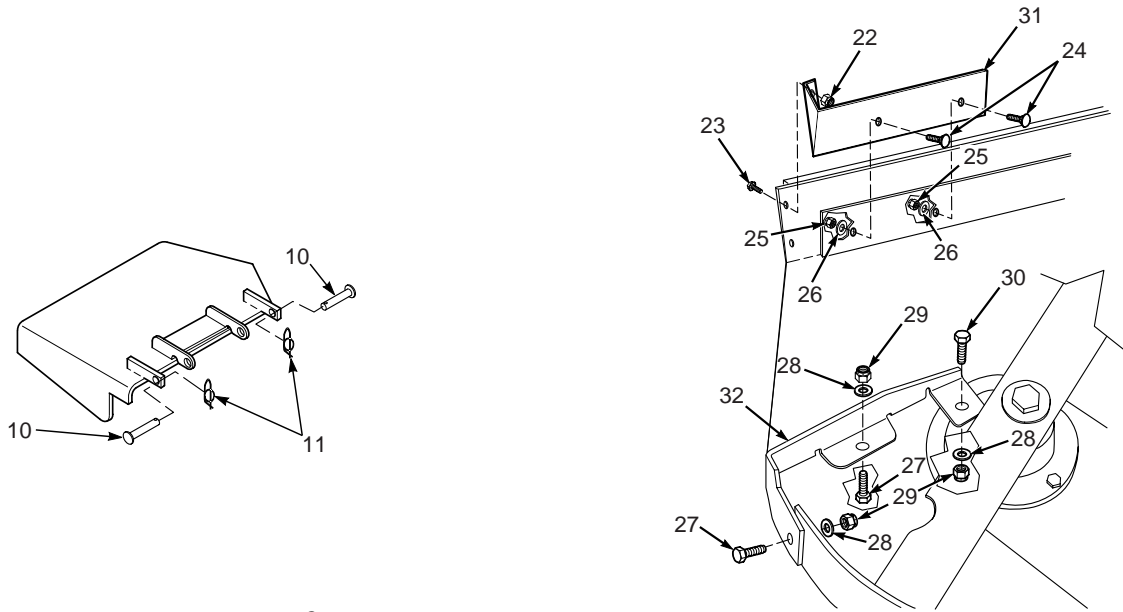


390STT0200A

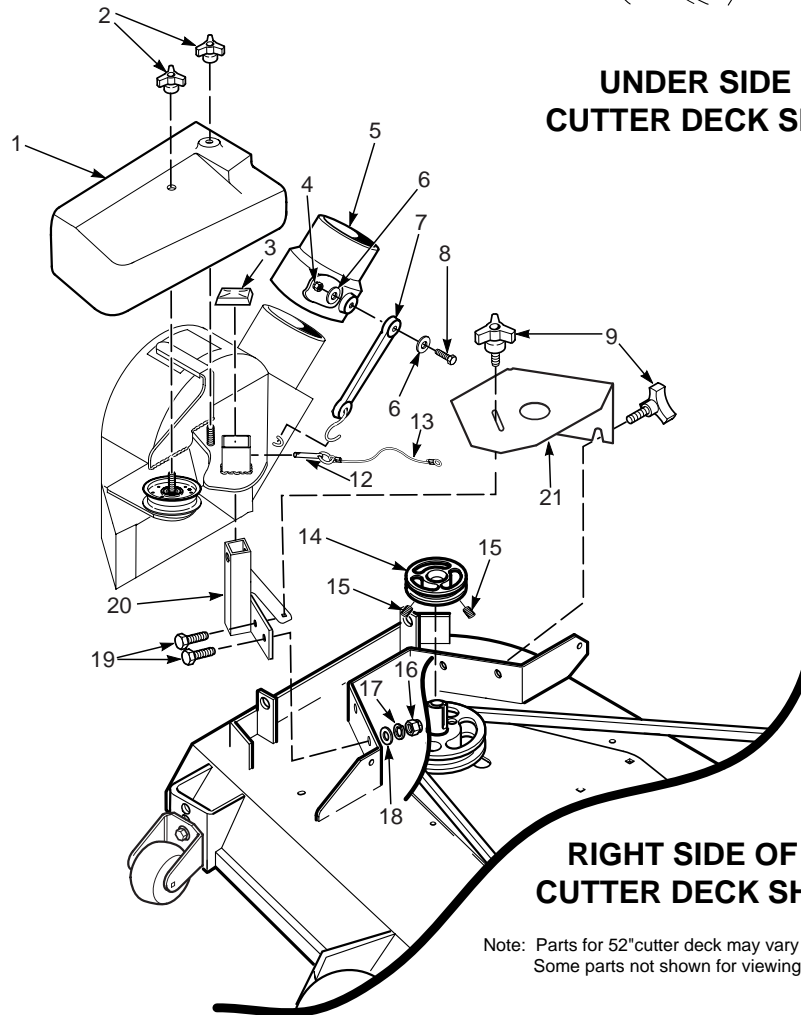
GC-STT BLOWER HOUSING ASSEMBLY

Ref. No.	Part Number	Description	Ref. No.	Part Number	Description
1	04067-07	Pin, Ring 2-1/4" Long	25	43504	Pivot, Idler - 52"
2	481547	Lanyard, Deck Height Pin		43575	Pivot, Idler - 61"
3	04019-02	Nut, Serr. Flange 1/4-20	26	481039	Decal, Belt Cover
4	04001-59	Bolt, Hex Head 1/4-20 x 1-1/4"	27	04019-04	Nut, Serr. Flange 3/8-16
5	04001-01	Bolt, Hex Head 1/4-20 x 3/4"	28	04001-136	Bolt, Hex Head 3/8-16 x 1-1/2 Gr. 8
6	423298	Belt Cover, Rear	29	482293	Decal, Danger
7	481428	Grip, Blower Lever	30	461681	Blower Housing Assembly
8	482300	Cap, Square	31	04003-12	Bolt, Carr. 5/16-18 x 3/4" Gr. 5
9	04024-02	Nut, Push On 3/8 Thread	32	04063-06	Key, 1/4 x 1/4 x 1-1/2"
10	04021-05	Lock Nut, 3/8-16	33	451420	Fan Weldment
11	04041-07	Flatwasher, 3/8-.391 x .938 x .105	34	48915	Bearing Assembly
12	43277	Spacer	35	04021-10	Nut, Elastic Stop 5/16-18
13	481048	Pulley, Idler 3" Dia. - 52" Cutter Deck	36	04040-04	Flatwasher, 5/16-.344 x .688 x .065
	482299	Pulley, Idler 4" Dia. - 61" Cutter Deck	37	421319	Cover, Blower Housing
14	04021-09	Nut, Elastic Stop 3/8-16	38	48136-02	Clamp, 8-5/8" Max Dia.
15	04030-04	Lockwasher, 3/8-16	39	48135-14	Hose, 8.00" Dia. x 60.5" Long
16	423933	Plate, Catch Mounting		48135-15	Hose, 8.00" Dia. x 68.00" Long - 72"
	423952	Plate, Catch Mounting - 72"	40	482298	Pulley, 4-3/4" O.D. - 1" Bore
17	04003-05	Bolt, Carr. 3/8-16 x 1-1/2"	41	04012-04	Set Screw, 5/16-18 x 3/8"
18	04001-54	Bolt, Hex Head 3/8-16 x 3" - 52"	42	461683	Frame, Blower Mount - 52"
	04001-46	Bolt, Hex Head 3/8-16 x 2-1/4" - 61"		461684	Frame, Blower Mount - 61"
19	04001-81	Bolt, Hex Head 3/8-16 x 3-1/2"		451685	Frame, Blower Mount - 72"
20	04001-21	Bolt, Hex Head 3/8-16 x 1-3/4"	43	481522	Spring, Main Drive
21	461427	Idler Arm Assembly, GC-STT 52"	44	43212	Spacer
	461389	Idler Arm Assembly, GC-STT 61"	45	04019-03	Nut, Serr. Flange 5/16-18
22	482428	Belt, GC-STT 52"	46	461419	Adapter w/Strap\
	482379	Belt, GC-STT 61"	47	423297	Plate, Blower Catch
	482831	Belt, GC-STT 72"		423939	Plate, Blower Catch - 72"
23	482079	Pulley, 3" O.D., GC-STT 52"	48	04062-05	Hair Pin Cotter, .243 x 4"
	482062	Pulley, 4" O.D., GC-STT 61"	49	461680	Blower Housing Assembly, GC-STT
24	04043-04	Washer, 3/8 Hardened			

GC-STT BLOWER MOUNTING COMPONENTS



**UNDER SIDE OF
CUTTER DECK SHOWN**



**RIGHT SIDE OF 61"
CUTTER DECK SHOWN**

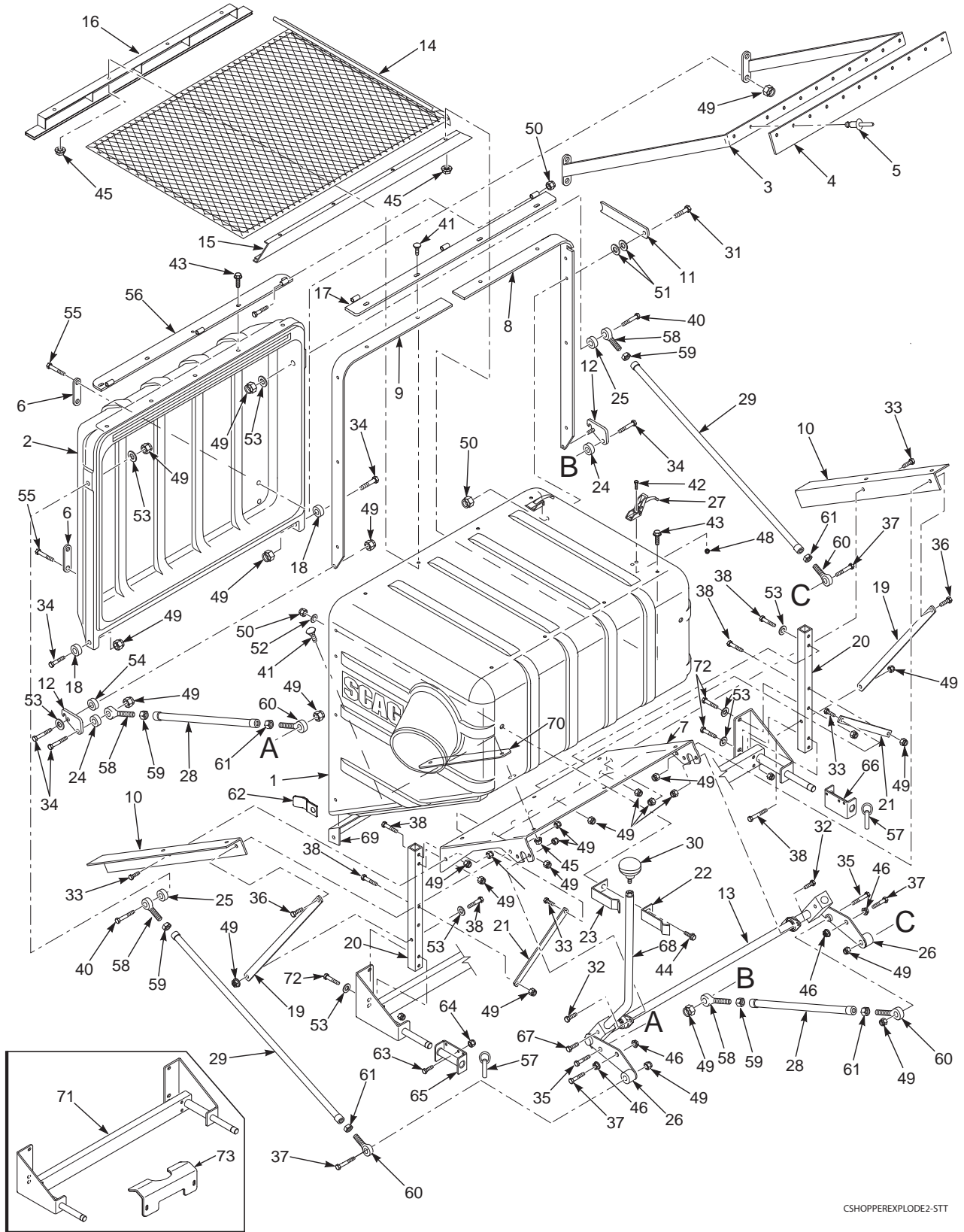
Note: Parts for 52" cutter deck may vary slightly from illustration.
Some parts not shown for viewing purposes.

390STT0203

GC-STT BLOWER MOUNTING COMPONENTS

Ref. No.	Part Number	Description
1	482406	Belt Cover, GC-STT - 52"
	482378	Belt Cover, GC-STT - 61" & 72"
2	04029-04	Wingnut, Plastic 3/8 Small
3	482300	Cap, Square Vinyl
4	04021-08	Nut, Elastic Stop 1/4-20
5	461419	Adapter, Blower GC-STT
6	04040-14	Flatwasher, 1/4-.312 x .750 x .065
7	48137-04	Rubber Strap 7-3/4"
8	04001-59	Bolt, Hex Head 1/4-20 x 1-1/4"
9	481625-01	Knob W/Stud, 3/8-16 x 1-1/4"
10	04064-15	Clevis Pin, 5/16 x 1-1/2"
11	04069-03	Pin, Rue Cotter 5/16 Dia.
12	04067-07	Pin, Ring 1/2 x 2-1/4"
13	481547	Lanyard
14	482427	Pulley, 4-1/2" for 52" Deck
	482377	Pulley, 5-1/2" for 61" Deck
	482830	Pulley, 6-1/4" for 72" Deck
15	04012-04	Setscrew, 5/16-18 x 3/8"
16	04021-07	Nut, Elastic Stop 1/2-13
17	04030-06	Lockwasher, 1/2"
18	04040-07	Flatwasher, 1/2-.531 x 1.062 x .095
19	04001-71	Bolt, Hex Head 1/2-13 x 1-1/2" Grade 5
20	461418	Mounting Post Weldment, Blower - 52"
	451413	Mounting Post Weldment, Blower - 61"
	451657	Mounting Post Weldment, Blower - 72"
21	423427	Belt Cover, - 52"
	423446	Belt Cover, - 61"
	423940	Belt Cover, - 72"
22	04019-02	Nut, Serrated Flange 1/4-20
23	04017-05	Bolt, Hex Head 1/4-20 x 3/4"
24	04003-23	Bolt, Carriage 3/8-16 x 1"
25	04021-09	Nut, Elastic Stop 3/8-16
26	04041-07	Flatwasher, 3/8-.391 x .938 x .105
27	04001-09	Bolt, Hex Head 5/16-18 x 1"
28	04040-15	Flatwasher, 5/16-.375 x .875 x .083
29	04021-10	Nut, Elastic Stop 5/16-18
30	04001-12	Bolt, Hex Head 5/16-18 x 1-3/4"
31	423629	Baffle, 52"
	423448	Baffle, 61"
	423932	Baffle, 72"
32	423956	Baffle, 52" Deck
	423957	Baffle, 61" Deck
	423958	Baffle, 72" Deck

GC-STT-CS HOPPER COMPONENTS



C5HOPPEREXPLODE2-STT

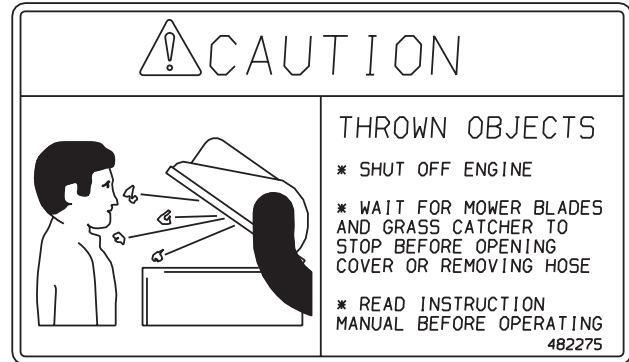
GC-STT-CS HOPPER COMPONENTS

Ref. No.	Part Number	Description	Ref. No.	Part Number	Description
1	461627	Hopper, GC-STT-CS	40	04001-77	Bolt, Hex Head 3/8-16 x 3-1/2"
2	482732	Door, GC-CS	41	04003-04	Bolt, Carriage 5/16-18 x 1"
3	461626	Sweeper Weldment, GC-CS	42	04010-01	Screw, #10-32 x 1/2"
4	482777	Pad, Rubber	43	04017-16	Cap Screw, 5/16-18 x 3/4" Serr. Flan.
5	04090-02	Pop Rivet, 3/16 x .652	44	04017-17	Cap Screw, 5/16-18 x 1" Serr. Flan.
6	423834	Plate, Stiffener	45	04019-03	Nut, 5/16-18 Serrated Flange
7	423831	Support Frame, Hopper	46	04019-04	Nut, 3/8-16 Serrated Flange
8	423849	Hinge Bracket, L.H.	47	04020-12	Nut, 3/8-16 UNC Jam
9	423850	Hinge Bracket, R.H.	48	04021-01	Nut, #10-32 Elastic Stop
10	423858	Bracket, Hopper Support	49	04021-09	Nut, 3/8-16 Elastic Stop
11	423837	Latch, Door Prop	50	04021-10	Nut, 5/16-18 Elastic Stop
12	423840	Plate, Latch	51	04032-01	Washer, Special Wave
13	451599	Bellcrank Weldment, Upper	52	04040-15	Washer, 5/16-.375 x .875 x .083 Flat
14	451601	Debris Screen Weldment	53	04041-07	Washer, 3/8-.931 x .938 x .105 Flat
15	451602	Screen Support Weldment, Rear	54	43642	Bushing, Hopper Latch GC-CS
16	451603	Screen Support Weldment, Front	55	04001-54	Bolt, Hex Head 3/8-16 x 3"
17	451607	Hinge Weldment, Hopper	56	451598	Hinge Weldment, Door
18	43631	Spacer	57	04066-03	Pin
19	423830	Brace Stiffener, Short	58	481538	Rod End Male, 3/8-24 L.H. Thread
20	423828	Tube, Upright	59	04020-26	Nut, 3/8-24 UNF L.H. Thread
21	422386	Brace, Engine Mount	60	481539	Rod End Male, 3/8-24 R.H. Thread
22	423862	Latch, Dump Rod Inner	61	04020-25	Nut, 3/8-24 UNF R.H. Thread
23	423864	Latch, Dump Rod Outer	62	423865	Alignment Bracket, GC-CS
24	43063	Spacer	63	04001-19	Bolt, Hex Head 3/8-16 x 1"
25	43282	Spacer	64	04021-09	Nut, 3/8-16 Elastic Stop
26	43277	Spacer	65	451512	Hitch Bracket Weldment
27	481309	Latch, Hood	66	451595	Hitch Bracket Weldment, Floating
28	43641	Linkage Assembly, Lower	67	04001-12	Bolt, Hex Head 5/16-18 1-3/4"
29	43640	Linkage Assembly, Upper		04012-10	Nut, 5/16-18 Elastic Stop (Not Shown)
30	481245	Knob	68	423863	Rod, Dump Lever
31	04001-10	Bolt, Hex Head 5/16-18 x 1-1/4		44147	Rod, Dump Lever Curved (ROPS)
32	04001-18	Bolt, Hex Head 3/8-16 x 3/4"	69	423855	Bracket, Lower Stiffener
33	04001-19	Bolt, Hex Head 3/8-16 x 1"		423859	Backing Plate, Hopper (Not Shown)
34	04001-20	Bolt, Hex Head 3/8-16 x 1-1/2"	70	423836	Retainer Strip, Hopper
35	04001-21	Bolt, Hex Head 3/8-16 x 1-3/4"	71	451596	Frame Weldment
36	04001-32	Bolt, Hex Head 3/8-16 x 1-1/4"	72	04001-51	Bolt, Hex Head 3/8-16 x 3-3/4"
37	04001-45	Bolt, Hex Head 3/8-16 x 2"	73	423690	Support Bracket, Catcher
38	04001-46	Bolt, Hex Head 3/8-16 x 2-1/4"			
39	04001-63	Bolt, Hex Head 5/16-18 x 3-1/2"			

GC-STT DECALS



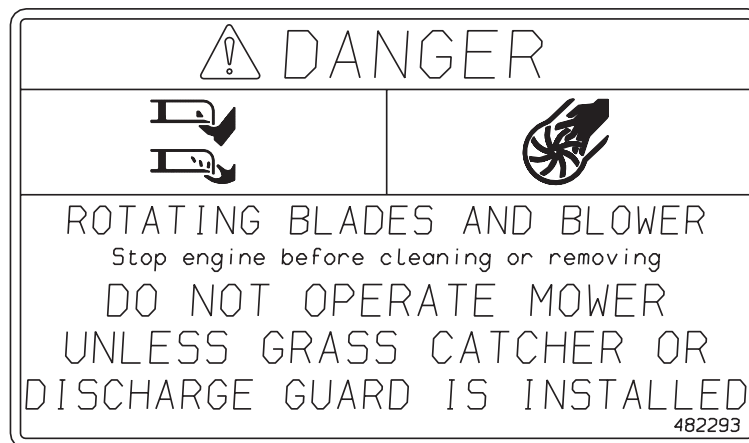
481039



482275



482733



482293

LIMITED WARRANTY- COMMERCIAL ACCESSORY

Any part of the Scag commercial accessory manufactured by Scag and found, in the reasonable judgment of Scag, to be defective in material or workmanship, will be repaired or replaced by an Authorized Scag Service Dealer without charge for parts and labor.

The Scag accessory, including any defective part, must be returned to an Authorized Scag Service Dealer within the warranty period. The expense of delivering the accessory to the dealer for warranty work and the expense of returning it back to the owner after repair or replacement will be paid for by the owner. Scag's responsibility in respect to claims is limited to making the required repairs or replacements, and no claim of breach of warranty shall be cause for cancellation or rescission of the contract of sale of any Scag machine. Proof of purchase will be required by the dealer to substantiate any warranty claim. All warranty work must be performed by an Authorized Scag Service Dealer.

This warranty is limited to 90 days from the date of original retail purchase for any Scag accessory that is used for commercial purposes, or any other income-producing purpose including rental use.

This warranty does not cover any accessory that has been subject to misuse, neglect, negligence, or accident, or that has been operated in any way contrary to the operating instructions as specified in the Operator's Manual. The warranty does not apply to any damage to the accessory that is the result of improper maintenance, or to any accessory or parts that have not been assembled or installed as specified in the Operator's Manual.

The warranty does not cover any accessory that has been altered or modified. In addition, the warranty does not extend to repairs made necessary by normal wear, or by the use of parts or accessories which, in the reasonable judgment of Scag, are either incompatible with the Scag mower or adversely affect its operation, performance or durability. This warranty does not cover engines and electric starters, which are warranted separately by their manufacturer.

Scag Power Equipment reserves the right to change or improve the design of any accessory without assuming any obligation to modify any accessory previously manufactured.

All other implied warranties are limited in duration to the 90 day warranty period. Accordingly, any such implied warranties including merchantability, fitness for a particular purpose, or otherwise, are disclaimed in their entirety after the expiration of the appropriate ninety day warranty period. Scag's obligation under this warranty is strictly and exclusively limited to the repair or replacement of defective parts and Scag does not assume or authorize anyone to assume any other obligation for them. Some states do not allow limitations on how long an implied warranty lasts, so the above limitation may not apply to you.

Scag assumes no responsibility for incidental, consequential or other damages including, but not limited to, expense for gasoline, oil, expense of delivering the machine to an Authorized Scag Service Dealer and expense of returning it back to the owner, mechanic's travel time, telephone or telegram charges, rental of a like product during the time warranty repairs are being performed, travel, loss or damage to personal property, loss of revenue, loss of use of the mower, loss of time, or inconvenience. Some states do not allow the exclusion or limitation of incidental or consequential damages, so the above limitation or exclusion may not apply to you.

This warranty gives you specific legal rights, and you may also have other rights which vary from state to state.

© 2003
SCAG POWER EQUIPMENT
DIVISION OF METALCRAFT OF MAYVILLE, INC
www.scag.com

PART NO. 03140
PRINTED 8-2003
PRINTED IN USA

Free Manuals Download Website

<http://myh66.com>

<http://usermanuals.us>

<http://www.somanuals.com>

<http://www.4manuals.cc>

<http://www.manual-lib.com>

<http://www.404manual.com>

<http://www.luxmanual.com>

<http://aubethermostatmanual.com>

Golf course search by state

<http://golfingnear.com>

Email search by domain

<http://emailbydomain.com>

Auto manuals search

<http://auto.somanuals.com>

TV manuals search

<http://tv.somanuals.com>