

# *FREEDOM* Z

Made in the USA by **SCAG**



## MODEL SFZ



THIS MANUAL CONTAINS THE OPERATING INSTRUCTIONS AND SAFETY INFORMATION FOR YOUR SCAG MOWER. READING THIS MANUAL CAN PROVIDE YOU WITH ASSISTANCE IN MAINTENANCE AND ADJUSTMENT PROCEDURES TO KEEP YOUR MOWER PERFORMING TO MAXIMUM EFFICIENCY. THE SPECIFIC MODELS THAT THIS BOOK COVERS ARE CONTAINED ON THE INSIDE COVER. BEFORE OPERATING YOUR MACHINE, PLEASE READ ALL THE INFORMATION ENCLOSED.

OPERATOR'S MANUAL

© 2007  
SCAG POWER EQUIPMENT  
DIVISION OF METALCRAFT OF MAYVILLE, INC.

PART NO. 03214  
PRINTED 1/2007  
PRINTED IN USA



# WARNING:

## FAILURE TO FOLLOW SAFE OPERATING PRACTICES MAY RESULT IN SERIOUS INJURY.

- \* Read this manual completely as well as other manuals that came with your mower.
- \* DO NOT operate on steep slopes. To check a slope, attempt to back up it (with the cutter deck down). If the machine can back up the slope without the wheels slipping, reduce speed and use extreme caution. Under no circumstances should the machine be operated on slopes greater than 15 degrees. ALWAYS FOLLOW OSHA APPROVED OPERATION.
- \* DO NOT mow on wet grass. Wet grass reduces traction and steering control.
- \* Keep all shields in place, especially the grass discharge chute.
- \* Before performing any maintenance or service, stop the machine and remove the spark plug wire and ignition key.
- \* If a mechanism becomes clogged, stop the engine before cleaning.
- \* Keep hands, feet and clothing away from power-driven parts.
- \* Keep others off the tractor (only one person at a time)

## REMEMBER - YOUR MOWER IS ONLY AS SAFE AS THE OPERATOR!

Hazard control and accident prevention are dependent upon the awareness, concern, prudence, and proper training of the personnel involved in the operation, transport, maintenance, and storage of the equipment.

This manual covers the operating instructions  
and illustrated parts list for:

<b>SFZ48-19KA</b>	<b>with a serial number of D1700001 to D1799999</b>
<b>SFZ48-26BS</b>	<b>with a serial number of D1500001 to D1599999</b>
<b>SFZ52-19KA</b>	<b>with a serial number of D1900001 to D1999999</b>
<b>SFZ52-26BS</b>	<b>with a serial number of D1800001 to D1899999</b>
<b>SMFZ-48</b>	<b>with a serial number of D1600001 to D1699999</b>
<b>SMFZ-52</b>	<b>with a serial number of D2000001 to D2099999</b>

Always use the entire serial number listed on the serial number tag when referring to this product.



## TABLE OF CONTENTS

SUBJECT	PAGE
<b>Section 1 - General Information</b>	
1.1 Introduction .....	1
1.2 Directional Reference .....	1
1.3 Servicing the Engine and Drive Train Components .....	1
1.3 Symbols .....	2-3
<b>Section 2 - Safety Information</b>	
2.1 Introduction .....	4
2.2 Signal Words .....	4
2.3 Before Operation Considerations .....	4
2.4 Operation Considerations .....	5
2.5 Roll Over Protection System .....	7
2.6 Maintenance Considerations .....	8
2.7 Safety and Instructional Decals .....	9
<b>Section 3 - Specifications</b> .....	10-11
<b>Section 4 - Operating Instructions</b>	
4.1 Controls and Instrument Identification .....	12
4.2 Safety Interlock System .....	13
4.3 Initial Run-In Procedures .....	14
4.4 Starting the Engine .....	14
4.5 Ground Travel and Steering .....	14
4.6 Engaging the Deck Drive .....	15
4.7 Hillside Operation .....	16
4.8 Parking the Mower .....	16
4.9 After Operation .....	16
4.10 Removing Clogged Material .....	17
4.11 Moving Mower with Engine Stopped .....	17
4.12 Recommendations for Mowing .....	17
4.13 Adjusting Cutting Height .....	17
4.14 Towing .....	18
<b>Section 5 - Troubleshooting Cutting Conditions</b> .....	19-21

# TABLE OF CONTENTS (CONT'D)

SUBJECT	PAGE
<b>Section 6 - Adjustments</b>	
6.1 Parking Brake Adjustment .....	22
6.2 Travel Adjustments .....	23
6.3 Throttle Control and Choke Adjustments .....	24
6.4 Belt Adjustment .....	24
6.5 Belt Alignment .....	24
6.6 Cutter Deck Adjustments .....	25
<b>Section 7 - Maintenance</b>	
7.1 Maintenance Chart .....	27
7.2 Hydraulic System .....	28
7.3 Engine Oil .....	30
7.4 Engine Fuel System .....	31
7.5 Engine Air Cleaner .....	31
7.6 Battery .....	32
7.7 Drive Belts .....	33
7.8 Cutter Blades .....	33
7.9 Tires .....	34
7.10 Body, Deck and Upholstery .....	34
<b>Section 8 - Replacement Parts</b>	
SFZ48, SFZ52 Cutter Deck .....	36-37
Cutter Deck Controls .....	38-39
Sheet Metal Components .....	40-41
SFZ Roll-Over Protection System .....	42-43
Drive System Components .....	44-45
Fuel and Electrical System .....	46-47
ZT-2800 Hydraulic Axle Assembly .....	48-49
Replacement Decals .....	50-51
Electrical Schematic .....	52
Warranty Statement .....	Following Illustrated Parts List



# GENERAL INFORMATION

## 1.1 INTRODUCTION

Your mower was built to the highest standards in the industry. However, the prolonged life and maximum efficiency of your mower depends on you following the operating, maintenance and adjustment instructions in this manual.

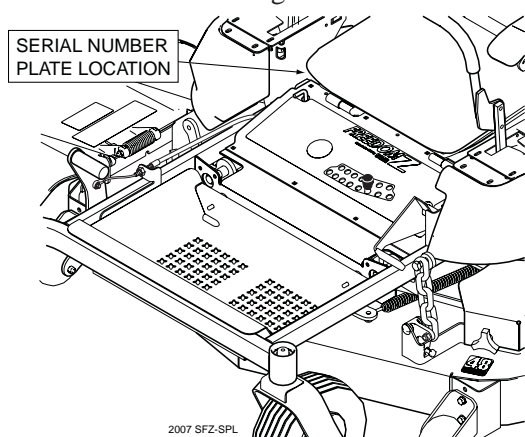
If additional information or service is needed, contact your Scag Power Equipment Dealer.

We encourage you to contact your dealer for repairs. All Scag dealers are informed of the latest methods to service this equipment and provide prompt and efficient service in the field or at their service shop. They carry a full line of Scag service parts.

**THE REPLACEMENT OF ANY PART ON THIS PRODUCT BY OTHER THAN THE MANUFACTURER'S AUTHORIZED REPLACEMENT PART MAY ADVERSELY AFFECT THE PERFORMANCE, DURABILITY OR SAFETY OF THIS PRODUCT.**

**USE OF OTHER THAN ORIGINAL SCAG REPLACEMENT PARTS WILL VOID THE WARRANTY.**

When ordering parts, always give the model and serial number of your mower. The serial number plate is located under the seat as shown in Figure 1-1.



**Figure 1-1 Mower Serial Number Plate Location**

**USE ONLY SCAG APPROVED ATTACHMENTS AND ACCESSORIES. Scag recommends that all approved attachments and accessories be installed by an Authorized Scag Dealer.**

Attachments and accessories manufactured by companies other than Scag Power Equipment are not approved for use on this machine.

Scag approved attachments and accessories:

- GC-SFZ (p/n TBA)
- Hurricane Mulch (p/n TBA)
- Mulch Plate (p/n TBA)
- SFZ Hitch (p/n TBA)
- SFZ - Lights (p/n TBA)
- Freedom Striper (p/n TBA)
- GC-4D (p/n 9054)
- GC-F4 (p/n 9055)
- Blade Buddy (p/n 9212)

## **! WARNING:**

**For pictorial clarity, some illustrations and figures in this manual may show shields, guards or plates open or removed. Under no circumstances should your mower be operated without these devices in place.**

**All information is based upon product information available at the time of approval for printing. Scag Power Equipment reserves the right to make changes at any time without notice and without incurring any obligation.**











## 1.2 DIRECTION REFERENCE











The “Right” and “Left”, “Front” and “Rear” of the machine are referenced from the operator’s right and left when seated in the normal operating position and facing the forward travel direction.

## 1.3 SERVICING THE ENGINE AND DRIVE TRAIN COMPONENTS

The detail servicing and repair of the engine, hydraulic pumps and gearboxes are not covered in this manual; only routine maintenance and general service instructions are provided. For service of these components during the limited warranty period, it is important to contact your Scag dealer or find a local authorized servicing agent of the component manufacturer. Any unauthorized work done on these components during the warranty period may void your warranty.

ISO Symbols

SYMBOL	DESCRIPTION	SYMBOL	DESCRIPTION
	Choke		Transmission
	Parking Brake	 <small>48071S</small>	Spinning Blade
	On/Start		Spring Tension on Idler
	Off/Stop		Oil
	Falling Hazard		Thrown Object Hazard

SYMBOL	DESCRIPTION	SYMBOL	DESCRIPTION
	Fast		Slow
	Continuously Variable - Linear		Cutting Element - Basic symbol
	Pinch Point		Cutting Element - Engage
	Hourmeter/Elapsed Operating Hours		Cutting Element - Disengage
	Thown Object Hazard Keep Bystanders Away		Read Operator's Manual

## SAFETY INFORMATION

### 2.1 INTRODUCTION

Your mower is only as safe as the operator. Carelessness or operator error may result in serious bodily injury or death. Hazard control and accident prevention are dependent upon the awareness, concern, prudence, and proper training of the personnel involved in the operation, transport, maintenance and storage of the equipment. Make sure every operator is properly trained and thoroughly familiar with all of the controls before operating the mower. The owner/user can prevent and is responsible for accidents or injuries occurring to themselves, other people or property.

### READ THIS OPERATOR'S MANUAL BEFORE ATTEMPTING TO START YOUR MOWER.

A replacement manual is available from your authorized Scag Service Dealer or by contacting Scag Power Equipment, Service Department at P.O. Box 152, Mayville, WI 53050 or via the Internet at [www.scag.com](http://www.scag.com). The manual for your machine can be downloaded by using the model and serial number or use the contact form to make your request. Please indicate the complete model and serial number of your Scag product when requesting replacement manuals.

### 2.2 SIGNAL WORDS



This symbol means **“Attention! Become Alert! Your Safety is Involved!”** The symbol is used with the following signal words to attract your attention to safety messages found on the decals on the machine and throughout this manual. The message that follows the symbol contains important information about safety. To avoid injury and possible death, carefully read the message! Be sure to fully understand the causes of possible injury or death.

#### Signal Word:

It is a distinctive word found on the safety decals on the machine and throughout this manual that alerts the viewer to the existence and relative degree of the hazard.

### **DANGER:**

The signal word “DANGER” denotes that an extremely hazardous situation exists on or near the machine that could result in high probability of death or irreparable injury if proper precautions are not taken.

### **WARNING:**

The signal word “WARNING” denotes that a hazard exists on or near the machine that can result in injury or death if proper precautions are not taken.

### **CAUTION:**

The signal word “CAUTION” is a reminder of safety practices on or near the machine that could result in personal injury if proper precautions are not taken.

Your safety and the safety of others depends significantly upon your knowledge and understanding of all correct operating practices and procedures of this machine.

### 2.3 BEFORE OPERATION CONSIDERATIONS

1. **NEVER** allow children to operate this riding mower. Do not allow adults to operate this machine without proper instructions.
2. **DO NOT** mow when children and/or others are present. Keep children out of the mowing area and in the watchful care of a responsible adult other than the operator. Be alert and turn machine off if a child enters the area.
3. **DO NOT** allow children to ride on or play on the machine, it is not a toy.
4. Clear the area to be mowed of objects that could be picked up and thrown by the cutter blades.
5. **DO NOT** carry passengers.
6. **DO NOT** operate the machine under the influence of alcohol or drugs.

## Section 2

7. If the operator(s) or mechanic(s) cannot read English or Spanish, it is the owner's responsibility to explain this material to them.
8. **DO NOT** wear loose fitting clothing. Loose clothing, jewelry or long hair could get tangled in moving parts. Do not operate the machine wearing shorts; always wear adequate protective clothing including long pants. Wearing safety glasses, safety shoes and a helmet is advisable and is required by some local ordinances and insurance regulations.
12. **DO NOT** add fuel to a running or hot engine. Allow the engine to cool for several minutes before adding fuel. Never fuel indoors or in enclosed trailers.
13. Keep flammable objects (cigarettes, matches, etc.), open flames and sparks away from the fuel tank and fuel container. Use only approved containers.
14. Equipment must comply with the latest requirements per SAE J137 and/or ANSI/ASAE S279 when driven on public roads.

### **WARNING:**

**Always wear hearing protection. Operating this machine over prolonged periods of time can cause loss of hearing.**

9. Keep the machine and attachments in good operating condition. Keep all shields and safety devices in place. If a shield, safety device or decal is defective or damaged, repair or replace it before operating the machine.
15. **DO NOT** operate without the side discharge chute installed and in the down position or with an optional grass catcher or mulch plate completely installed.
16. Check the blade mounting bolts at frequent intervals for proper tightness.
17. Make sure all hydraulic fluid connections are tight and all hydraulic hoses and lines are in good condition before starting the machine.

### **WARNING:**

**This machine is equipped with an interlock system intended to protect the operator and others from injury. This is accomplished by preventing the engine from starting unless the deck drive is disengaged, the steering control levers are in the neutral position and the operator is in the seat. The system shuts off the engine if the operator leaves the seat with the deck drive engaged and/or the steering control levers are not in the neutral position and the parking brake is not engaged. Never operate equipment with the interlock system disconnected or malfunctioning.**

10. Be sure the interlock switches are functioning correctly.
11. Fuel is flammable; handle it with care. Fill the fuel tank outdoors. Never fill it indoors. Use a funnel or spout to prevent spillage. Clean up any spillage before starting the engine.

### **-NOTE-**

*If the mower is driven on public roads, it must comply with state and local ordinances as well as SAE J137 and/or ANSI / ASAE S279 requirements. Contact your local authorities for regulations and equipment requirements.*


## 2.4 OPERATION CONSIDERATIONS


1. Know the function of all controls and how to stop quickly.


### **WARNING:**

**DO NOT operate on steep slopes. To check a slope, attempt to back up it (with the cutter deck down). If the machine can back up the slope without the wheels slipping, reduce speed and use extreme caution. Under no circumstances should the machine be operated on slopes greater than 15 degrees. ALWAYS FOLLOW OSHA APPROVED OPERATION.**

### 2.4 OPERATION CONSIDERATIONS (CONT'D)

2. Reduce speed and exercise extreme caution on slopes and in sharp turns to prevent tipping or loss of control. Be especially cautious when changing directions on slopes.
  3. To prevent tipping or loss of control, start and stop smoothly, avoid unnecessary turns and travel at reduced speed.
  4. When using any attachment, never direct the discharge of material toward bystanders or allow anyone near the machine while in operation.
  5. Before attempting to start the engine, with the operator in the seat, disengage power to the cutter deck, place the steering control levers in the neutral position and engage the parking brake.
  6. If the mower discharge ever plugs, shut off the engine, remove the ignition key, and wait for all movement to stop before removing the obstruction.
-  **WARNING:**

**DO NOT use your hand to dislodge the clogged discharge chute. Use a stick or other device to remove clogged material after the engine has stopped running and the blades have stopped turning.**
7. Be alert for holes, rocks, roots and other hidden hazards in the terrain. Keep away from any dropoff. Beware of overhead obstructions (low limbs, etc.), underground obstacles (sprinklers, pipes, tree roots, etc.). Cautiously enter a new area. Be alert for hidden hazards.
  8. Disengage power to cutter deck before backing up. Do not mow in reverse unless absolutely necessary and then only after observation of the entire area behind the mower. If you must mow in reverse, maintain a constant lookout to the rear of the machine and mow slowly.
  9. **DO NOT** turn sharply. Use care when backing up.
  10. Disengage power to cutter deck before crossing roads, walks or gravel drives.
  11. Mow only in daylight or good artificial light.
  12. **NEVER** raise the deck with the blades engaged.
  13. Take all possible precautions when leaving the machine unattended, such as disengaging the mower, lowering the attachments, setting the parking brake, stopping the engine, and removing the key.
  14. Disengage power to the attachments when transporting or when not in use.
  15. The machine and attachments should be stopped and inspected for damage after striking a foreign object, and damage should be repaired before restarting and operating the machine.
-  **CAUTION:**

**DO NOT touch the engine or the muffler while the engine is running or immediately after stopping. These areas may be hot enough to cause a burn.**
-  **DANGER:**

**DO NOT run the engine inside a building or a confined area without proper ventilation. Exhaust fumes are hazardous and contain carbon monoxide which can cause brain injury and death.**
16. Keep hands and feet away from cutter blades and moving parts. Contact can injure.
  17. Use care when loading or unloading the machine onto a trailer or truck.
  18. Use care when approaching blind corners, shrubs, trees, or other objects that may obscure vision.
  19. **NEVER** leave the machine running unattended.



## Section 2

### 2.5 ROLL-OVER PROTECTION SYSTEM

#### **! WARNING:**

**Seat belt must be securely fastened during operation. Failure to do so could cause serious injury or loss of life.**

This mower has been designed for good traction and stability under normal mowing conditions. However, caution must be used when traveling on slopes, especially when the grass is wet. Do not mow on wet grass. Wet grass reduces traction and steering control.

Any or all parts of the Roll-Over Protection System **MUST NOT** be removed. Failure to adhere to this guideline could result in injury or death.

The potential exposure of this seat belt to severe environmental conditions make it crucial to inspect the seat belt system regularly.

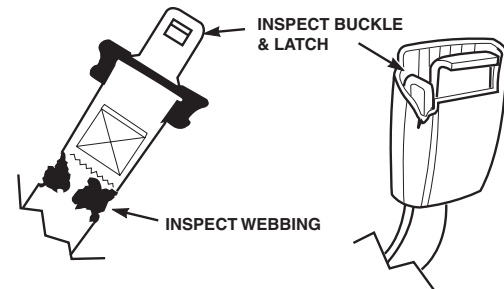
It is recommended that the seat belt be inspected on a daily basis for signs of damage. Any seat belt system that shows cuts, fraying, extreme or unusual wear, significant discoloration due to UV exposure, dirt or stiffness, abrasion to the seat belt webbing, or damage to the buckle, latch plate, hardware or any other obvious problem should be replaced immediately.

#### **! WARNING:**

**Failure to properly inspect and maintain the seat belt can cause serious injury or loss of life.**

1. Check the full length of the seat belt webbing for cuts, wear, fraying, dirt and stiffness. See Figure 2-1.
2. Check the seat belt webbing in areas exposed to ultra violet rays from the sun or extreme dust or dirt. If the original color of the webbing in these areas is extremely faded and/or is packed with dirt, the physical strength of this webbing may have deteriorated. If this condition exists, replace the seat belt system.

3. Check the buckle and latch for proper operation and determine if the latch plate is excessively worn, deformed, or if the buckle is damaged or cracked. See Figure 2-1.



**Figure 2-1 Seat Belt Inspection**

#### **! WARNING:**

Reduce speed when turning, operating on slopes, slick or wet surfaces. Allow extra distance to stop.

Stay off of slopes too steep for safe operation. To check a slope, attempt to back up it (with the cutter deck down). If the machine can not back up the slope without the wheels slipping, do not operate the machine on this slope. Under no circumstances should the machine be operated on slopes greater than 15 degrees.

**ALWAYS** travel up or down the slope whenever possible. Never across the slope.

**DO NOT** mow near drop-offs, ditches or embankments. The machine could suddenly roll over if a wheel goes over the edge or if the edge caves in.

Operate the machine smoothly, no sudden turns, starts or stops on a slope.

**NEVER** tow on slopes. The weight of the towed equipment may cause loss of traction and loss of control.

**DO NOT** permit untrained personnel to operate the machine.

### 2.6 MAINTENANCE CONSIDERATIONS & STORAGE

1. Never make adjustments to the machine with the engine running unless specifically instructed to do so. If the engine is running, keep hands, feet, and clothing away from moving parts.
2. Disengage drives, lower implement, set parking brake, stop engine and remove key or disconnect spark plug wire to prevent accidental starting of the engine when servicing or adjusting the machine. Wait for all movement to stop before adjusting, cleaning or repairing.
3. Disconnect battery or remove spark plug wire before making any repairs. Disconnect the negative terminal first and the positive last. Reconnect the positive first and the negative last.
4. Keep all nuts, bolts and screws tight, to ensure the machine is in safe working condition. Check blade mounting bolts frequently to be sure they are tight.
5. Do not change the engine governor settings or overspeed the engine. See the engine operator's manual for information on engine settings.
6. To reduce fire hazard, keep the cutting units, drives muffler and engine free of grass, leaves, excessive grease, oil and dirt.
7. Park the machine on level ground and engage the parking brake.
8. **NEVER** allow untrained personnel to service the machine.
9. Use care when checking blades. Wrap the blade(s) or wear gloves and use caution when servicing blades. Only replace or sharpen blades. **NEVER** straighten or weld blades.
10. Keep all parts in good working condition. Replace all worn or damaged decals.
11. Use jack stands to support components when required.
12. Carefully release pressure from components with stored energy.

### **WARNING:**

**Hydraulic fluid is under high pressure. Keep body and hands away from pinholes or nozzles that eject hydraulic fluid under high pressure. If you need service on your hydraulic system, please see your authorized Scag dealer. If hydraulic fluid is injected into the skin, it must be surgically removed within a few hours by a doctor or gangrene may result.**

13. Let the engine cool before storing.
14. **DO NOT** store the machine near an open flame.
15. Shut off fuel while storing or transporting.
16. **DO NOT** store fuel near flames or drain indoors.
17. Charge batteries in an open well ventilated area, away from spark and flames. Unplug charger before connecting or disconnecting from battery. Wear protective clothing and use insulated tools.



## Section 2

### 2.7 SAFETY AND INSTRUCTIONAL DECALS

**⚠ DANGER**

**SPINNING BLADES**  
KEEP CLEAR

**BLADE CONTACT & THROWN OBJECTS CAN INJURE**

483505

**⚠ WARNING**

DO NOT OPERATE WITHOUT DISCHARGE CHUTE, MULCHING KIT, OR ENTIRE GRASS CATCHER INSTALLED 483405

483405

**⚠ WARNING**

**ROTATING BLADES AND BELTS**

- \* Keep hands, feet & clothing clear
- \* Keep all guards in place
- \* Shut off engine & disengage blade clutch before servicing
- \* Use caution in directing discharge
- \* Read instruction manual before operating

**DO NOT OPERATE UNLESS GRASS CATCHER, MULCHING KIT OR DISCHARGE CHUTE IS INSTALLED**

483406

**⚠ WARNING**

**INSTALL BELT COVER BEFORE OPERATING MACHINE**  
READ OPERATOR'S MANUAL

483402

**↑ FORWARD** **F** **R** **↓ REVERSE**

481568

**⚠ WARNING**

Replace seat only with Scag approved seat with seat mounting provisions and Scag approved seat belts.  
Failure to follow these directions could result in injury or death in the event of a rollover.

483411

**⚠ WARNING**

**SERIOUS INJURY OR DEATH MAY RESULT FROM MACHINE ROLLOVER**

Failure to follow these instructions could result in serious injury or death.

DO NOT operate machine on steep slopes or near drop-offs.

Avoid sharp and/or quick turns.

DO NOT exceed the machine weight rating.

Always use seatbelt. DO NOT jump if machine tips.

DO NOT repair or modify roll bar.

Any alteration of the roll bar will void certification if not approved by manufacturer.

3-19826

**IMPORTANT**

Operation on slopes can be hazardous.

This machine was originally equipped with a Rollover Protection Device with a Roll Bar and Seat Belt.

See your dealer if either is missing or damaged.

483425

483425

**IMPORTANT ADJUSTMENT PROCEDURES**  
READ OPERATORS MANUAL FOR MORE DETAILS

Check tire pressure - Drive tires-8 psi -  
- Caster tires-25 psi

**FREE WHEEL OPERATION**

To move machine without running engine, pull both dump valve rods up and back (located at rear of machine) and latch. Pull rods forward and latch into front slot to operate mower.

**NEUTRAL ADJUSTMENT**

To re-set neutral, have engine off and control levers in neutral. Loosen upper linkage capscrew. Allow transmission to position linkage rod and tighten upper capscrew. Repeat for opposite side. If wheels still creep after adjustment, see an authorized Scag dealer.

**HYDRAULIC FLUID LEVEL**

Check hydraulic fluid level while fluid is cool. Fluid level should be in sight window. Fill with 20W50 motor oil only.

**IMPORTANT**

Do not overfill. Room for hot fluid expansion must be allowed or resulting expansion may cause leaks in the system.

**TRACKING ADJUSTMENT**

If machine pulls to right, adjust LH control stop bolt CW (inward) to slow left wheel down. Adjust RH control stop bolt CW (inward) to slow right wheel down.

483556

483556

**⚠ CAUTION**

Avoid injury from burns. Shut off engine before removing fuel tank cap.

482291

482291

**RELEASE DECK LATCH**

**FREEDOM Z™**  
Made in the USA by SCAG

**START/DRIVE PROCEDURE**

Engage parking brake  
Disengage mower deck drive  
Move control handles to neutral position  
Start Engine  
-Select forward or reverse with hydro control levers

**MADE IN USA**

**WARNING**

AVOID SERIOUS INJURY OR DEATH  
Read the Operator Manual  
Notice attention on special features only as steps you can help as a distributor Scag  
If machine stops going uphill, stop blades and back down slowly  
Do not mow when children or other are around  
Blades are sharp  
Blades off  
Lock down and behind before mowing  
Keep safety devices (guards, shields, switches, etc.) in place and working  
Remove objects that could be thrown by the blades  
Finished operators only

483467

**SPECIFICATIONS****3.1 ENGINE**

General Type .....	Heavy Duty Industrial/Commercial Gasoline
Brand .....	Briggs & Statton, Kawasaki
Horsepower .....	19 HP (Spec.#) (Scag Model SFZ48-19KA, SFZ52-19KA) 26 HP (Spec.# ) (Scag Model SFZ48-26BS, SFZ52-26BS)
Cylinders.....	2 with Cast Iron Sleeves
Governor .....	Mechanical Type with Variable Speed Control Set At 3600 RPM
Idle Speed .....	1750 RPM - Briggs & Stratton 1550 RPM - Kawasaki
Fuel Pump Group .....	Integral Fuel Pump with In-Line Fuel Filter
Fuel .....	Non-Leaded Gasoline with a Minimum Octane Rating of 87
Oil Pump Group .....	Positive Displacement Gerotor™ Oil Pump
Starter .....	Electric Starting with Bendix Shift Starter
Belts: .....	Kevlar cord. Self-adjusting, Self-tightening
Pump Drive Belt .....	Scag Part Number - 483314

**3.2 ELECTRICAL**

Battery .....	12 Volt
Charging System .....	Alternator
Charging Output .....	12 Volt, 16Amp
System Polarity .....	Negative Ground
Starter .....	12 Volt Electric Ring Gear Type, Key Operated
Interlock Switches .....	Seat, Neutral Control, Mower Engagement (BBC), Parking Brake
Instrument Panel .....	Key Switch, Throttle Lever, Manual Choke, PTO Switch
Fuses .....	Two (2) 20 Amp

**3.3 TRACTOR**

Drive System .....	Hydraulic Drive with Two Hydro-Gear™ ZT2800 Integrated Zero-Turn Transaxle
Steering/Travel Control .....	Twin Lever Fingertip Steering Control with Individual Control to Each Wheel with Gas Spring Dampers
Parking Brake .....	Lever Actuated Linkage to Brakes on Both Drive Wheel Axles
Wheels:	
(2) Front Caster .....	11 X 4.5-5 Two-Ply
(2) Drive .....	20 X 10-8 Two-Ply Pneumatic Tubeless, Radius Edge
Fuel Tank .....	Single 7-Gallon Seamless Polyethylene Tank with large opening ..... and Fuel Cap
Tire Pressure:	
Front Caster .....	25PSI
Drive .....	8 PSI
Seat .....	Padded, Thick Cushion with Extra Spring Support

## Section 3

### 3.3 TRACTOR (CONT'D)

**-NOTE-**

Travel Speed:	
Forward .....	0-8 MPH
Reverse .....	0-5 MPH

*The machine will travel at 8 mph for transport purposes. For best cutting performance the forward travel speed should be adjusted depending upon the cutting conditions.*

### 3.4 CUTTER DECK

Type: .....	Floating, Adjustable, Anti-scalping, Hybrid Design Combines Out-front and Belly-mount Designs
Construction: .....	10-Gauge top with 11-Gauge reinforcement throughout the spindle area, 7-Gauge skirt for strength and longevity.
True Cutting Width: .....	48" (122.0 cm), 52" (132.0 cm)
Cutting Height Adjustment: .....	Foot Operated Lever Adjustment from Operator's Seat, 1.00" to 4.5" in 1/4" increments
Cutter Blades: .....	.197 Thick, Milled Edge, Wear Resistant Marbain™
Blade Engagement: .....	Electric Blade Engagement Clutch with Control Panel Switch Connected to the Cutter Deck via Belt.
Discharge Opening: .....	Extra Wide Discharge Opening with Spring Loaded Discharge Chute
Spindles: .....	Heavy-duty Spindle Shaft, Cast Housing, Sealed Ball Bearing, Maintenance-Free
Spindle Pulleys: .....	Split Steel
Cutter Deck Belts: .....	B-section with Kevlar Cord. Self-adjusting, Self-tightening
Electric Clutch Type .....	Ogura Heavy Duty PTO Clutch Brake

### 3.6 HYDRAULIC SYSTEM

Hydraulic Oil Filter .....	40 Micron Spin-on Element Type
Hydraulic Reservoir .....	Nylon

### 3.7 PRODUCTIVITY

The following chart will aid you in determining how many acres your Scag mower will cut per day.

The chart is an estimate based on 8 hours per day cutting time at 6 MPH with a 20% allowance for overlap and turns.

<b>Cutting Width:</b>	48"	52"
<b>Acres Per Day:</b>	18.6	20.2

### OPERATING INSTRUCTIONS

#### CAUTION:

Do not attempt to operate this mower unless you have read this manual. Learn the location and purpose of all controls and instruments before you operate this mower.

#### 4.1 CONTROLS AND INSTRUMENT IDENTIFICATION

Before operating the mower, familiarize yourself with all mower and engine controls. Knowing the location, function and operation of these controls is important for safe and efficient operation of the mower.

**1. Ignition Switch (Figure 4-1).** Used to start the engine and has three positions; OFF, ON, and START.

- 2. Mower Deck Switch (Figure 4-1).** Used to engage and disengage the mower drive system. Pulling up on the switch will engage the deck drive. Pushing down on the switch will disengage the deck drive.
- 3. Engine Choke Control (Figure 4-1).** Used to start a cold engine.
- 4. Engine Throttle Control (Figure 4-1).** Used to control the engine speed. Pulling the lever back decreases engine speed. Pushing the lever forward increases engine speed. Full forward position is the cutting position. Full back is the IDLE position.
- 5. Fuel Gauge (Figure 4-1).** Indicates the amount of fuel in the fuel tank.

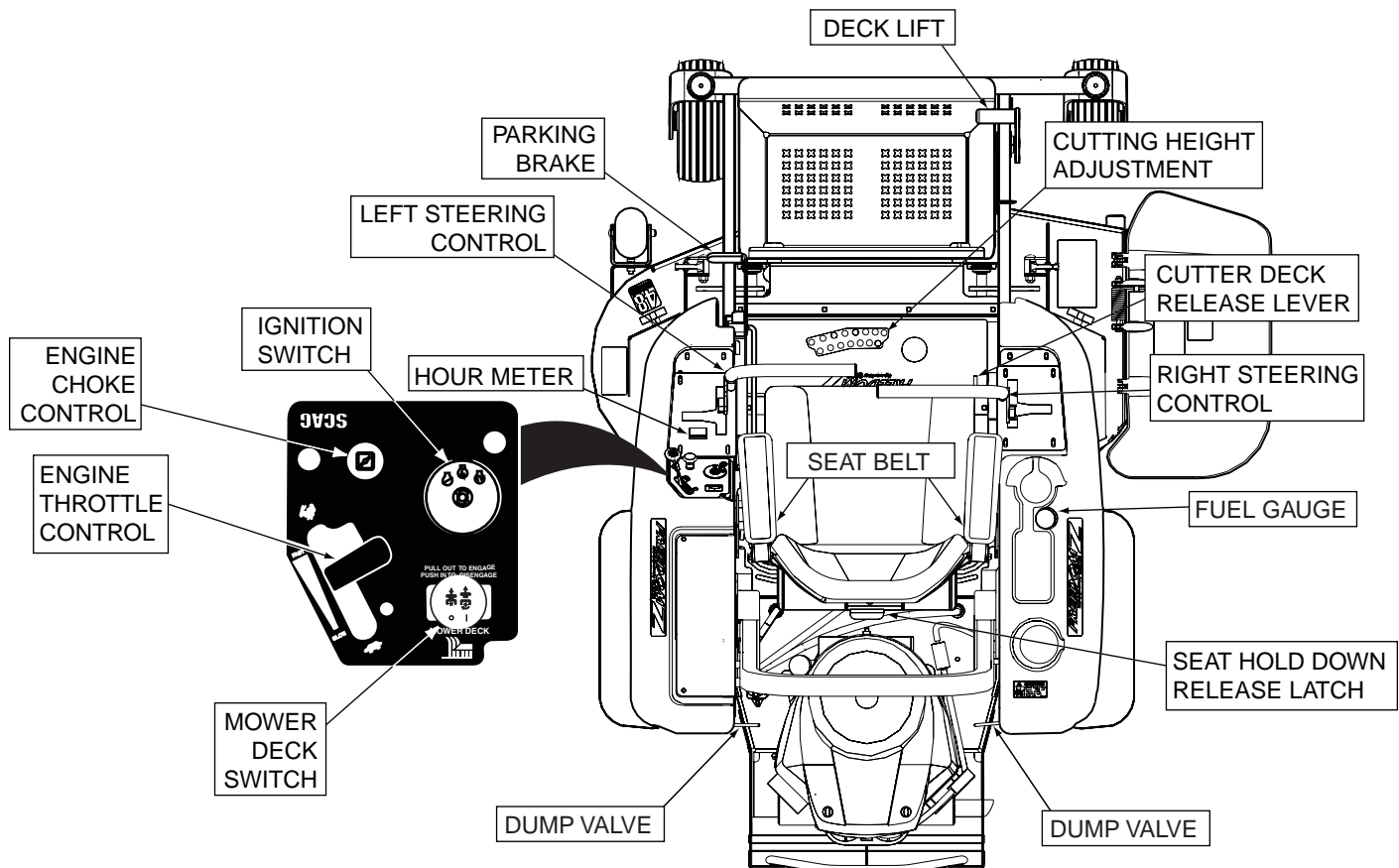


Figure 4-1 Controls and Instruments

6. **Hourmeter (Figure 4-1).** Indicates the number of hours the engine has been operated. It operates whenever the ignition key switch is in the ON position. Has preset maintenance reminders for engine and hydraulic system oil changes. Will start flashing scheduled maintenance 2 hours before preset time and continue flashing until 2 hours after. Automatically resets.
7. **Fuse Holders (Figure 4-1).** Two 20-amp fuses protect the mower's electrical system. To replace fuses, pull fuse out of the socket and install a new fuse.
8. **Left Steering Control (Figure 4-1).** Used to control the mower's left wheel when traveling forward or reverse.
9. **Right Steering Control (Figure 4-1).** Used to control the mower's right wheel when traveling forward or reverse.
10. **Parking Brake Control (Figure 4-1).** Used to engage and disengage the parking brakes. Pull the lever back to engage the parking brakes. Push the lever forward to disengage the parking brakes.
11. **Dump Valve Control Levers (Figure 4-2).** Located on the left and right side of the rear bumper, used to "free-wheel" the mower. Rotating the levers forward into the notch allows the unit to move under hydraulic power. Rotating the levers backward to the notch allows the mower to be moved by hand (free-wheeling).
12. **Deck Lift Foot Lever (Figure 4-1).** Used to raise and lower the cutter deck.
13. **Cutting Height Adjustment (Figure 4-1).** Used to set the cutter deck at the desired cutting height.
14. **Cutter Deck Release Lever (Figure 4-1).** Used to lock the cutter deck in the transport position. Push the foot pedal forward and pull back on the release lever to release the cutter deck for normal mowing.

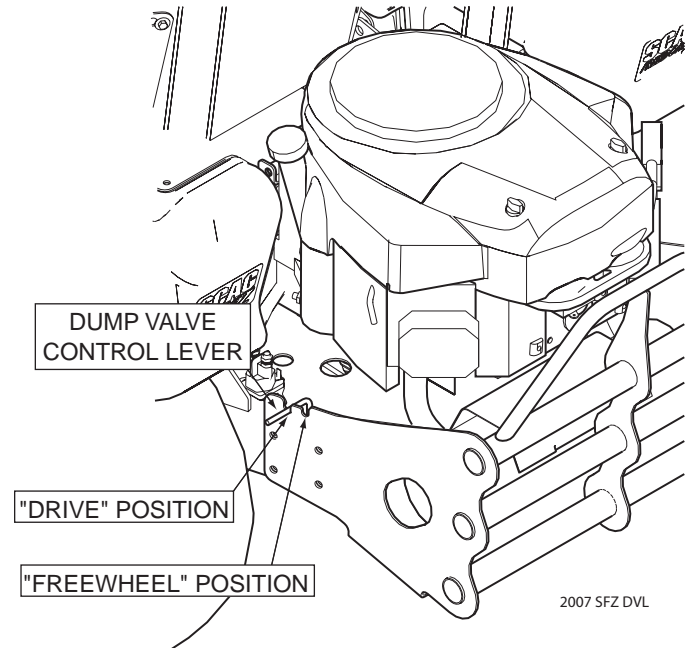


Figure 4-2 Dump Valve Control

15. **Seat Belt (Figure 4-1).** Used to secure the operator. Seat belt must be worn at all times during operation.
16. **Seat Hold Down Release Latch (Figure 4-1).** Located behind the seat. Used to secure the seat in the operators position. Release the latch to gain access under the seat.

## 4.2 SAFETY INTERLOCK SYSTEM

The mower is equipped with a safety interlock system that prevents the engine from starting unless the deck drive is disengaged, the steering control levers are in the neutral position and the operator is in the seat. The interlock system shuts off the engine if the operator leaves the seat with the steering control levers not in the neutral position and/or the cutter blades engaged and/or the parking brake not engaged.

### **WARNING:**

**Never operate the mower with the interlock system disconnected or malfunctioning. Do not disengage or bypass any switch; injury to yourself and/or others or property damage could result.**

### 4.3 INITIAL RUN-IN PROCEDURES (First Day of Use or Approximately 20 Hours)

1. Check all belts for proper alignment and wear at 2, 4 and 8 hours.
2. Change the engine oil and oil filter after the first 20 hours of operation. (See Section 7.3)
3. Check hydraulic oil level in reservoir. (See Section 7.2)
4. Check for loose hardware. Tighten as needed.
5. Check interlock system for proper operation. (See Section 4.2)
6. Check tire pressure. Adjust pressure if necessary. (See Section 7.9)

### 4.4 STARTING THE ENGINE

#### **CAUTION:**

**DO NOT USE STARTING FLUIDS.** Use of starting fluids in the air intake system may be potentially explosive or cause a “runaway” engine condition that could result in engine damage and/or personal injury.

1. Sit in the operator’s seat, fasten seat belt and place the steering control levers in the neutral position.
2. Engage the parking brake.
3. If the engine is cold, choke the engine as needed.
4. Move the engine throttle control to about half engine speed.

5. Turn the ignition key to the START position and release the key as soon as the engine starts. Do not hold the key in the START position for more than 15 seconds at a time. Allow at least 60 seconds between each cranking attempt to prevent overheating of the starter motor. Prolonged cranking can damage the starter motor and shorten battery life.
6. Allow engine to warm before operating the mower.

### 4.5 GROUND TRAVEL AND STEERING

#### **-IMPORTANT-**

*If you are not familiar with the operation of a machine with lever steering and/or hydrostatic transmissions, the steering and ground speed operations should be learned and practiced in an open area, away from buildings, fences, or obstructions. Practice until you are comfortable with the handling of the machine before attempting to mow. Learn the operation on flat ground before operating on slopes.*

#### **-IMPORTANT-**

*Start practicing with a slow engine speed and slow forward travel. Learn to feather the steering controls to obtain a smooth operating action.*

#### **Forward Travel**

To travel forward with the mower, disengage the parking brake, pull levers inward out of the neutral lock position and slowly push the steering control levers forward an equal distance. The further the steering control levers are pushed forward the greater the forward speed will be. To increase the speed, push the steering control levers further forward and to decrease the speed, pull the steering control levers back.

To stop the forward travel, pull the steering control levers back to the neutral position.

To steer the mower left while traveling forward, pull the left steering lever back. The further the lever is pulled back, the quicker the mower will turn left.



To steer the mower right while traveling forward, pull the right steering control lever back. The further the lever is pulled back, the quicker the mower will turn right.

**-NOTE-**

*Smooth operation of the steering levers will produce smooth mower operation. While learning the operation of the steering controls, keep the travel speed low.*

**-IMPORTANT-**

*Do not travel forward over a curb. The mower may hang up on the curb. Raise the deck and travel backwards over the curb at a 45 degree angle. (see Section 4.1, item 12 for cutter deck raising instructions)*

### Reverse Travel

#### CAUTION:

**Disengage power to the mower before backing up. Do not mow in reverse unless absolutely necessary and then only after observation of the entire area behind the mower.**

#### CAUTION:

**Before backing up, observe the rear for persons and obstructions. Clear the area before backing up. Possible injury or property damage could occur.**

To travel in reverse, pull levers inward out of the neutral lock position and pull both handles back. Keep the travel speed low while traveling in reverse.

**-NOTE-**

*The mower may not travel straight in reverse. Slight adjustments must be made using the steering controls.*

To steer left while traveling in reverse, allow the left steering control lever to move forward. The further the control is allowed to move forward, the quicker the mower will turn left.

To steer right while traveling in reverse, allow the right steering control lever to move forward. The further the control is allowed to move forward, the quicker the mower will turn right.

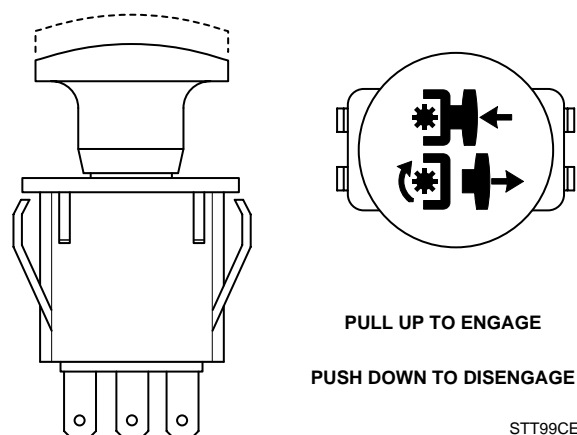
To stop the reverse travel, allow the steering control levers to return to the neutral position. If the mower is to be parked, place the handles in the neutral lock position and engage the parking brake.

### 4.6 ENGAGING THE DECK DRIVE (CUTTER BLADES)

1. Set the throttle at about 3/4 speed. Do not attempt to engage the deck drive at high speed as this shortens the electric clutch life — use only moderate engine speed when engaging the deck drive.
2. Engage the deck drive by pulling out on the yellow switch, located on the instrument panel, (Figure 4-3) to the engage position.

**-NOTE-**

*A squealing noise may be heard when engaging or disengaging the deck drive. It is caused by the electric clutch plates meshing as the mower comes up to speed. This is normal.*



STT99CES

**Figure 4-3 Cutter Engage Switch**

3. To disengage the deck drive, push the switch in to the disengage position.
4. Always operate the engine at full throttle to properly maintain cutting speed. If the engine starts to lug down, reduce the forward speed and allow the engine to operate at maximum RPM.

### 4.7 HILLSIDE OPERATION

#### **WARNING:**

**DO NOT operate on steep slopes. To check a slope, attempt to back up it (with the cutter deck down). If the machine can back up the slope without the wheels slipping, reduce speed and use extreme caution. Under no circumstances should the machine be operated on slopes greater than 15 degrees. ALWAYS FOLLOW OSHA APPROVED OPERATION.**

1. This mower has been designed for good traction and stability under normal mowing conditions. However, caution must be used when traveling on slopes, especially when the grass is wet. Wet grass reduces traction and steering control. The Roll-Over Protection System is standard equipment for this machine. See Section 2.5, page 7 of this manual for further details.
2. To prevent tipping or loss of control, do not start or stop suddenly, avoid unnecessary turns and travel at reduced speed. If tires lose traction, disengage blades and proceed slowly off the slope.
3. Avoid sudden starts when mowing uphill. Sudden starts may cause the machine to tip backwards.
4. Loss of traction may occur when traveling down hill. Weight transfers to the front of the machine and may cause the drive wheels to slip causing loss of braking or steering.
5. Keep tires properly inflated.

### 4.8 PARKING THE MOWER

1. Park the machine on a flat, level surface only. Do not park the machine on an incline.
2. Place the steering control levers in the neutral position.
3. Disengage the cutter blades.
4. Slow the engine to idle speed.
5. Engage the parking brake.
6. Turn the ignition key to the OFF position and remove the key.

### 4.9 AFTER OPERATION

1. Wash the entire mower after each use. Do not use high pressure spray or direct the spray onto electrical components.

#### **-IMPORTANT-**

*Do not wash a hot or running engine. Cold water will damage the engine. Use compressed air to clean the engine if it is hot.*

2. Keep the entire mower clean to inhibit serious heat damage to the engine or hydraulic oil circuit.
3. Check the drive belts for proper alignment and any signs of wear. Correct and adjust if necessary.
4. Check the tire pressure. Adjust pressure if necessary.



#### 4.10 REMOVING CLOGGED MATERIAL



### **DANGER:**

#### **ROTATING BLADES**

**NEVER PUT YOUR HANDS INTO THE DISCHARGE CHUTE FOR ANY REASON! Shut off the engine and remove the key and only then use a stick or similar object to remove material if clogging has occurred.**

1. If the discharge chute becomes clogged, shut off the engine and remove the ignition key. Using a stick or similar item, dislodge the clogged material. Then resume normal mowing.

#### 4.11 MOVING MOWER WITH ENGINE STOPPED

To “free-wheel” or move the mower around without the engine running, place the dump valve levers in the FREE-WHEEL position (Figure 4-2, page 13). Disengage the parking brake and move the mower by hand. The dump valve levers must be returned to the DRIVE position to drive the mower.

#### 4.12 RECOMMENDATIONS FOR MOWING

1. Do not mow with dull blades. A dull blade will tear grass, resulting in poor lawn appearance and require extra power.
2. The discharge chute must not be removed and must be kept in the lowest position to deflect grass clippings and thrown objects downward. Direct the side discharge away from sidewalks or streets to minimize cleanup of clippings. When mowing close to obstacles, direct the discharge away from the obstacles to reduce the chance of property damage by thrown objects.



### **WARNING**

**DO NOT OPERATE WITHOUT DISCHARGE CHUTE, MULCHING KIT, OR ENTIRE GRASS CATCHER INSTALLED**

3. Cut grass when it is dry and not too tall. Do not cut grass too short (cut off 1/3 or less of existing grass for best appearance). Mow frequently.

4. Keep mower and discharge chute clean.
5. When mowing wet or tall grass, mow the grass twice. Raise the mower to the highest setting for the first pass and then make a second pass to the desired height.
6. Use a slow travel speed for trimming purposes.
7. Operate the engine at full throttle for best cutting. Mowing with a lower RPM causes the mower to tear the grass. The engine is designed to be operated at full speed.
8. Use an alternate stripe pattern for best lawn appearance. Vary the direction of the stripe each time the grass is mowed to avoid wear patterns in the grass.

#### 4.13 ADJUSTING CUTTING HEIGHT

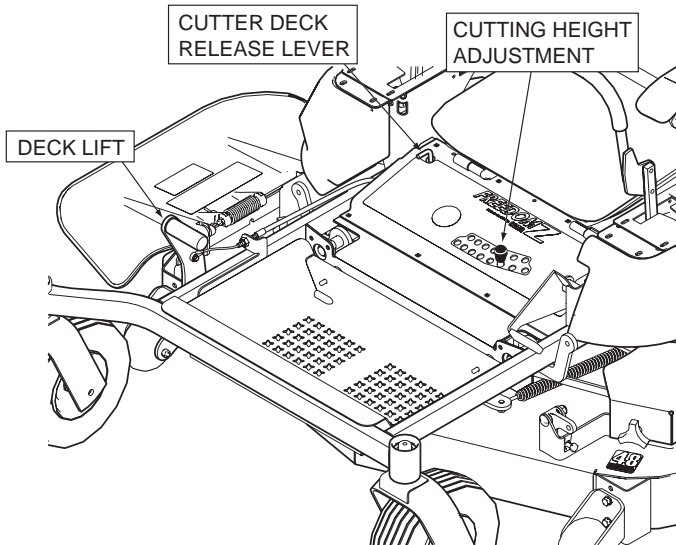
The mower deck can be adjusted from a height of 1- inch to 4-1/2 inches at 1/4-inch intervals. To adjust the cutting height:



### **WARNING:**

**DO NOT adjust the cutting height with the mower blades rotating. Disengage the power to the cutter blades and then adjust cutting height.**

1. Disengage the power to the cutter blades.
2. Push the cutting height adjustment foot pedal all the way forward using your right foot until it locks in place. (Figure 4-4, page 18)
3. Insert the pin into the cutting height index at the desired cutting height. Push forward on the deck lift foot lever, hold in place and lift up on the deck release lever, (Figure 4-4). Slowly release the foot pedal. A deck height decal is located on the cutting height index as an aid in adjusting the deck to the desired height. (Figure 4-4)



**Figure 4-4 Cutter Deck Height Adgustment**

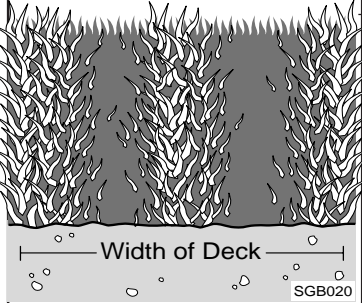
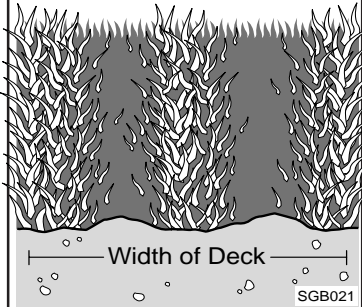
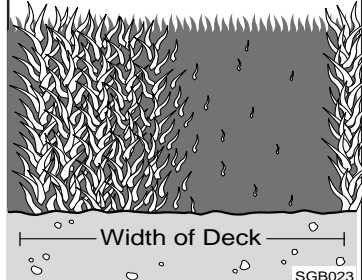
### **4.14 TOWING (optional hitch accessory)**

1. **Never** allow children or others in or on towed equipment.
2. Tow only with a machine that has a hitch designed for towing. Do not attach towed equipment except at the hitch point.
3. Follow manufacturer's recommendations for weight limit for towed equipment. 250lbs. maximum towing weight.
4. **Never tow on slopes.** The weight of the towed equipment may cause loss of traction and loss of control.
5. Travel slowly and allow extra distance to stop.
6. Zero turning with a trailer attached, could cause damage to the trailer or mower.

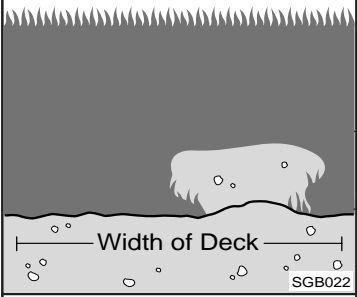
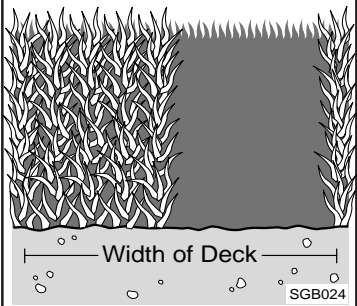
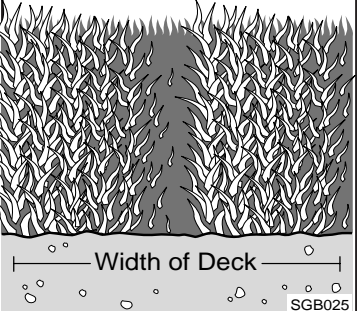
## TROUBLESHOOTING CUTTING CONDITIONS

CONDITION	CAUSE	CURE
<p><b>Stringers - Occasional Blades of Uncut Grass</b></p> <p style="text-align: right; font-size: small;">SGB020</p>	Low engine RPM	Run engine at full RPM
	Ground speed too fast	Slow speed to adjust for conditions
	Wet grass	Cut grass after it has dried out
	Dull blades, incorrect sharpening	Sharpen blades
	Deck plugged, grass accumulation	Clean underside of deck
	Belts slipping	Adjust belt tension
<p><b>Streaking - Strips of Uncut Grass in Cutting Path</b></p> <p style="text-align: right; font-size: small;">SGB018</p>	Dull, worn blades	Sharpen blades
	Incorrect blade sharpening	Sharpen blades
	Low engine RPM	Run engine at full RPM
	Belt slipping	Adjust belt tension
	Deck plugged, grass accumulation	Clean underside of deck
	Ground speed too fast	Slow speed to adjust for conditions
	Wet grass	Cut grass after it has dried out
Bent blades	Replace blades	
<p><b>Streaking - Strips of Uncut Grass Between Cutting Paths</b></p> <p style="text-align: center; font-size: small;">SGB019</p>	Not enough overlapping between rows	Increase the overlap of each pass

### TROUBLESHOOTING (CONT'D)

CONDITION	CAUSE	CURE
<p><b>Uneven Cut on Flat Ground - Wavy High-Low Appearance, Scalloped Cut, or Rough Contour</b></p>  <p>Width of Deck SGB020</p>	Lift worn from blade	Replace blade
	Blade upside down	Mount with cutting edge toward ground
	Deck plugged, grass accumulation	Clean underside of deck
	Too much blade angle (deck pitch)	Adjust pitch and level
	Deck mounted improperly	See your authorized SCAG dealer
	Bent spindle area	See your authorized SCAG dealer
	Dull blade	Sharpen blade
<p><b>Uneven Cut on Uneven Ground - Wavy Appearance, High-Low Scalloped Cut, or Rough Contour</b></p>  <p>Width of Deck SGB021</p>	Uneven ground	May need to reduce ground speed, raise cutting height, and/or change direction of cut
<p><b>Sloping Ridge Across Width of Cutting Path</b></p>  <p>Width of Deck SGB023</p>	Tire pressures not equal	Check and adjust tire pressure
	Wheels uneven	Check and adjust tire pressure
	Deck mounted incorrectly	See your authorized SCAG dealer
	Deck not level side-to-side	Check for level and correct

**TROUBLESHOOTING (CONT'D)**

CONDITION	CAUSE	CURE
<p><b>Scalping - Blades Hitting Dirt or Cutting Very Close to the Ground</b></p>  <p style="text-align: right; font-size: small;">SGB022</p>	Low tire pressures	Check and adjust pressures
	Ground speed too fast	Slow speed to adjust for conditions
	Cutting too low	May need to reduce ground speed, raise cutting height, change direction of cut, and/or change pitch and level
	Rough terrain	May need to reduce ground speed, raise cutting height, and/or change direction of cut
	Ground speed too fast	Slow speed to adjust for conditions
<p><b>Step Cut - Ridge in Center of Cutting path</b></p>  <p style="text-align: right; font-size: small;">SGB024</p>	Blades not mounted evenly	Adjust pitch and level
	Bent blade	Replace blade
	Internal spindle failure	See your authorized SCAG dealer
	Mounting of spindle incorrect	See your authorized SCAG dealer
<p><b>Slope Cut - Sloping Ridges Across Width of Cutting Path</b></p>  <p style="text-align: right; font-size: small;">SGB025</p>	Bent spindle mounting area	See your authorized SCAG dealer
	Internal spindle failure	See your authorized SCAG dealer
	Bent deck housing	See your authorized SCAG dealer

### ADJUSTMENTS

#### 6.1 PARKING BRAKE ADJUSTMENT

#### **WARNING:**

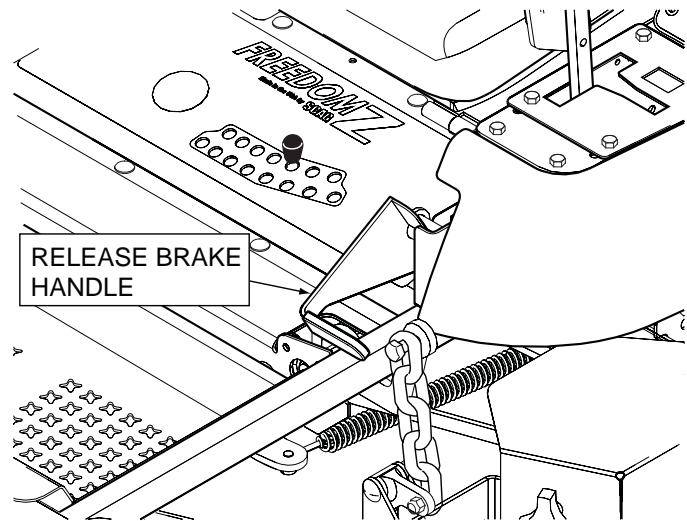
**DO NOT** operate the mower if the parking brake is not operable. Possible severe injury could result.

The parking brake linkage should be adjusted whenever the parking brake lever is placed in the “ENGAGE” position and the parking brake will not prevent the mower from moving. If the following procedures do not allow you to engage the parking brake properly, contact your Scag dealer for further brake adjustments.

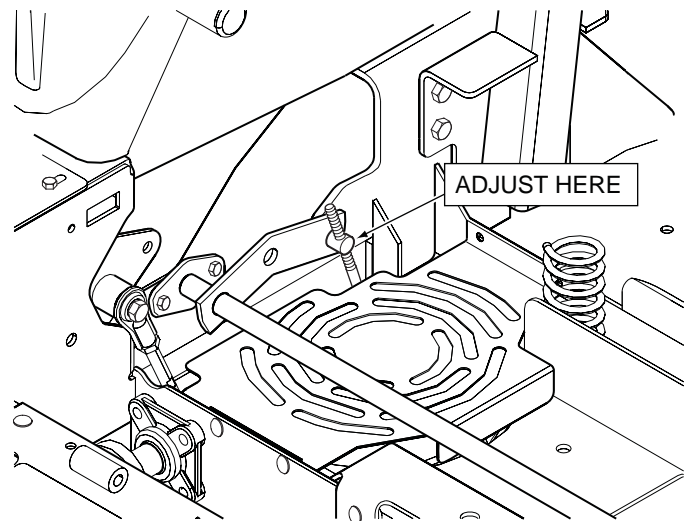
1. Park the machine on a flat surface and block the caster wheels to prevent the machine from moving. Remove the ignition key.
2. Disengage the parking brake. (See Figure 6-1).
3. Release the seat hold down latch and tilt the seat forward to gain access to the brake control linkage.
4. Remove the cotter pin securing the pivot to the brake control linkage. (See Figure 6-2).
5. Push down on the brake control rod to disengage the parking brake and adjust the pivot until it meets the mounting hole. Insert the pivot into the brake control linkage and secure with the cotter pin.
5. Repeat steps 4-5 on the LH side of the machine.
6. Test the brake.

**-NOTE-**

*If this procedure does not achieve proper brake adjustment, please contact your authorized Scag dealer.*



**Figure 6-1. Brake Adjustment**



**Figure 6-2. Brake Rod Adjustment**

## Section 6

### 6.2 TRAVEL ADJUSTMENTS

Neutral or tracking adjustments will need to be made if:

- A. The steering control levers are in the neutral position and the machine creeps forward or backward. (See Neutral Adjustment).
- B. The steering control levers are in the full forward position and the mower pulls to one side or the other when traveling in a forward direction. (Tracking Adjustment, See Page 24).

#### Neutral Adjustment

1. Be sure the dump valve levers are in the run position and the steering control levers are in the neutral lock position.
2. With an operator in the seat, start the engine and disengage the parking brake.

3. Run the engine at full operating speed and check if the machine creeps forward or backwards.
4. Tilt the seat forward and adjust the RH wheel by loosening the upper control linkage mounting bolt. (See Figure 6-3). Allow the transmission to position the control linkage.
5. Tighten the upper control linkage mounting bolt and repeat for the LH wheel.
6. Actuate the steering control levers forward and reverse several times and return them to the neutral position.
7. Check that the drive wheels remained in neutral and readjust if necessary.

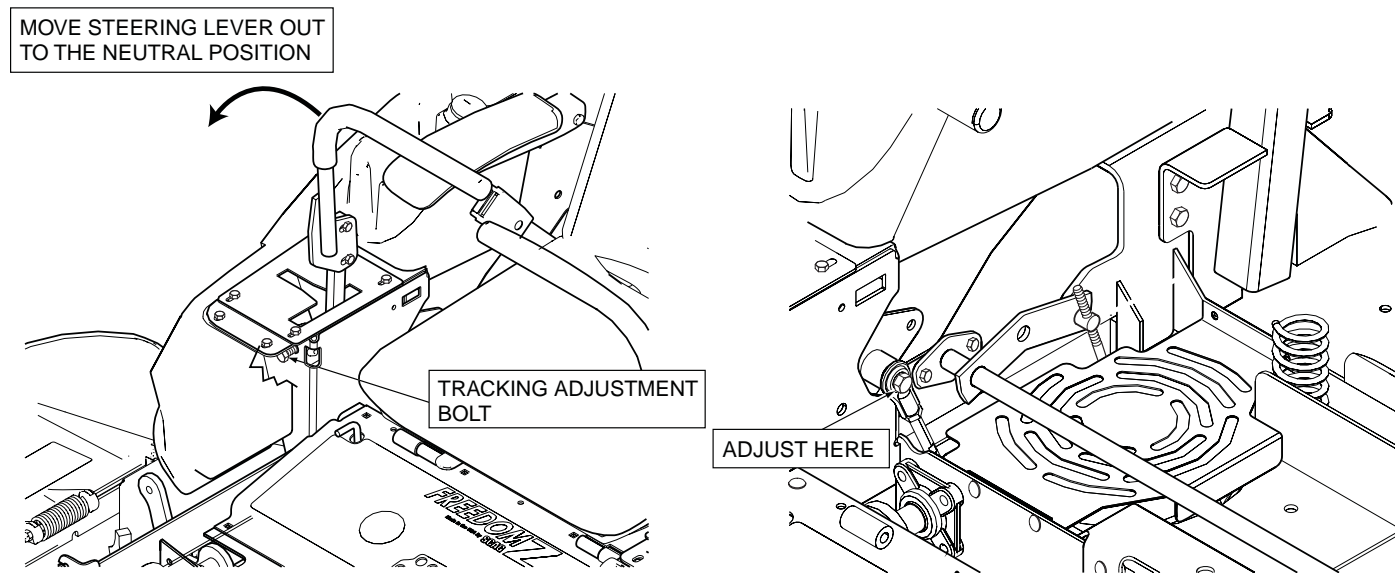


Figure 6-3. Steering Control Adjustment



### Tracking Adjustment

#### **CAUTION:**

Stop the engine and remove the key from the ignition before making any adjustments. Wait for all moving parts to come to a complete stop before beginning work.

#### **CAUTION:**

The engine and drive unit can get hot during operation causing burn injuries. Allow engine and drive components to cool before making any adjustments.

#### *-NOTE-*

*Before proceeding with this adjustment, be sure that the caster wheels turn freely and that the tire pressure in the drive wheels is correct. If the tire pressure is not correct, the machine will pull to the side with the lower pressure.*

1. If at full speed the mower pulls right, it is an indication that the left wheel is turning faster than the right wheel. To adjust this condition, proceed as follows:
  - A. Stop the machine and place the steering control levers in the neutral position. Turn the tracking adjustment bolt for the LH pump inward (clockwise). This will cause the control rod to stroke the LH pump less, slowing down the LH wheel. (See Figure 6-3, Page 23).
  
2. If at full speed the mower pulls left, it is an indication that the right wheel is turning faster than the left wheel. To adjust this condition, proceed as follows:
  - A. Stop the machine and place the steering control levers in the neutral position. Turn the tracking adjustment bolt for the RH pump inward (clockwise). This will cause the control rod to stroke the RH pump less, slowing down the RH wheel. (See Figure 6-3).

#### *-NOTE-*

*If after making the adjustments as outlined do not correct the tracking or neutral, contact your local Authorized Scag Power Equipment Dealer.*

### 6.3 THROTTLE CONTROL AND CHOKE ADJUSTMENTS

These adjustments must be performed by your Scag dealer to ensure proper and efficient running of the engine. Should either need adjustment, contact your authorized Scag service center.

### 6.4 BELT ADJUSTMENT

#### **WARNING:**

**Before removing any guards, shut the engine off and remove the ignition key.**

All drive belts and cutter deck belts are spring loaded and self-tensioning. The belts should be checked periodically for proper alignment and wear.

### 6.5 BELT ALIGNMENT

Belt alignment is important for proper performance of your Scag mower. If you experience frequent belt wear or breakage, see your authorized Scag service center for belt adjustment.



## Section 6

### 6.6 CUTTER DECK ADJUSTMENTS

Cutter deck level, pitch and height are set at the factory. However, if these adjustments should ever need to be made, the following procedures will aid in obtaining the proper cutter deck adjustment.

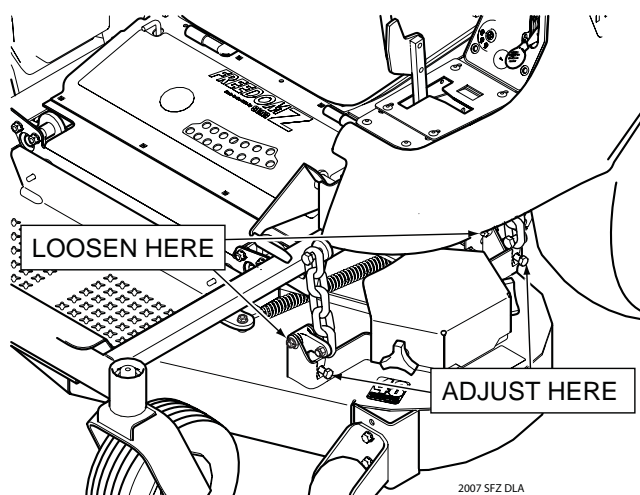
**-NOTE-**

*Before proceeding with the cutter deck adjustments, be sure that all tires are properly inflated.*

#### Cutter Deck Level

The cutter deck should be level from side-to-side for proper cutting performance. To check for level, be sure that the mower is on a flat, level surface, the tires are properly inflated and the cutter deck is set at the most common cutting height that you will use. On the RH side of the machine, check the distance from the top of the cutter deck to the floor. Next check the distance from the top of the cutter deck to the floor on the LH side of the machine. Both measurements should be the same. If the two measurements are different, the cutter deck level must be adjusted as follows:

1. If the cutter deck is lower on one side, loosen the elastic stop nuts securing the deck level links on the front and rear of the lower side. (See Figure 6-4).



**Figure 6-4. Cutter Deck Level Adjustment**

2. Turn the adjustment bolts on the front and rear deck level link clockwise until the cutter deck is level between both sides. (See Figure 6-4)

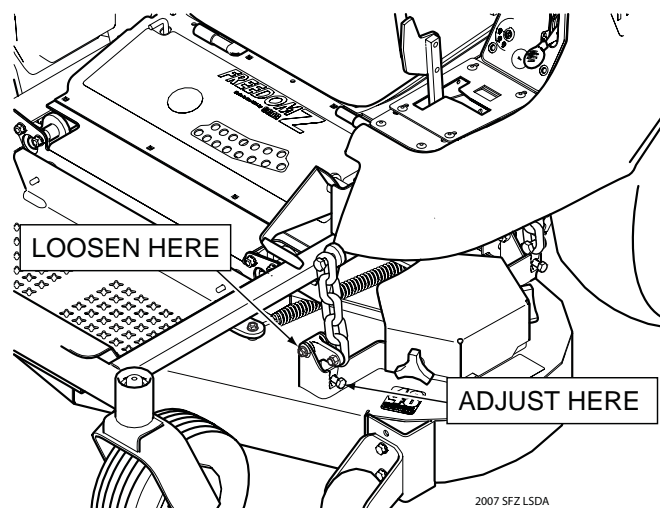
3. Tighten the two elastic stop nuts to secure the cutter deck in the proper position.

#### Cutter Deck Pitch

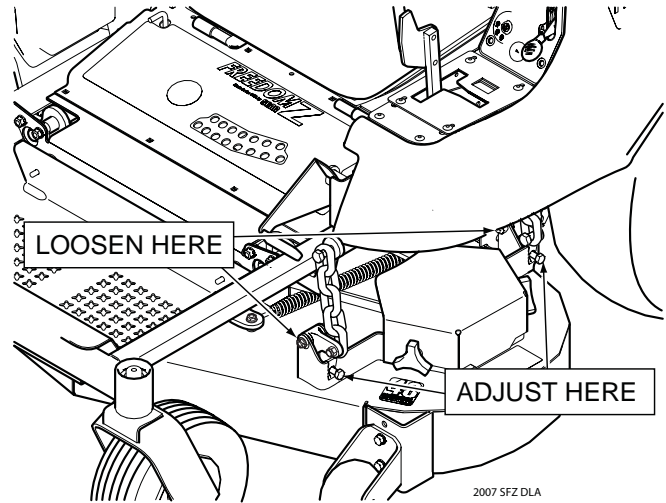
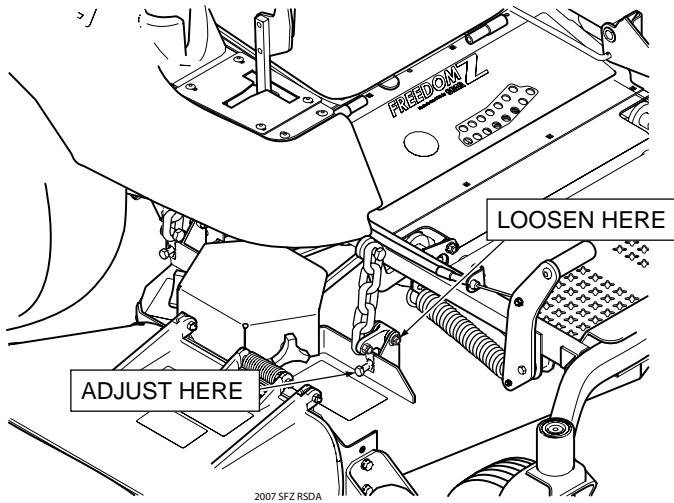
The pitch of the cutter deck should be equal between the front and rear of the cutter deck for proper cutting performance. To check for proper deck pitch, be sure that the mower is on a flat, level surface and the tires are properly inflated.

Check the distance from the top of the cutter deck to the floor at the rear RH side of the cutter deck directly behind the cutter deck hanging chains. Next check the distance from the top of the cutter deck to the floor at the front RH side of the cutter deck directly in front of the cutter deck hanging chains. The measurement at the front of the cutter deck should be the same as the rear of the deck. Make these measurements at the LH side of the cutter deck also. If the measurement at the front of the deck is not the same, the cutter deck pitch must be adjusted as follows:

1. Loosen the elastic stop nuts securing the deck level links on front of the cutter deck on both sides (See Figure 6-5, Figure 6-6).
2. Turn the adjustment bolts on both side either clockwise to raise or counterclockwise to lower the front of the cutter deck until the measurements are equal. Tighten the elastic stop nuts.



**Figure 6-5. Cutter Deck Pitch Adjustment**



**Figure 6-6. Cutter Deck Pitch Adjustment**

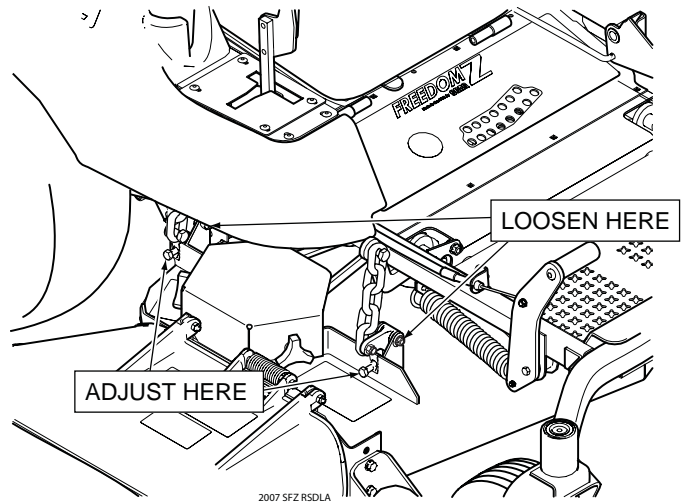
**-NOTE-**

To prevent the cutter deck from teetering, all four cutter deck hanging chains must have tension on them. If all four chains do not have tension on them and the deck teeters, you must readjust the cutter deck as outlined in the procedures above. The measurements should be taken from the top edge of the deck as the deck has an uneven bottom edge.

### Cutter Deck Height

The cutter deck height adjustment is made to ensure that the cutter deck is cutting at the height indicated on the cutting height index gauge. To check for proper deck height, be sure that the mower is on a flat, level surface and the tires are properly inflated.

1. Place the cutter deck in the 3" cutting position. Push on the cutter deck foot pedal and pull up on the cutter deck release lever to lower the cutter deck.
2. Check the measurement from the floor to the cutter blade tip. If the measurement is not at 3", an adjustment can be made using the deck height control rod.
3. Loosen the elastic stop nuts securing the deck level links on both sides of the cutter deck. (See Figure 6-7)



**Figure 6-7. Cutter Deck Height Adjustment**

4. Turn the adjustment bolts equal amount of turns either clockwise to raise or counterclockwise to lower the cutter deck until the measurement at the cutter blade is 3" on both sides.
4. Tighten the elastic stop nuts on the deck level links.

**-NOTE-**

If an adjustment had to be made, be sure that the cutter deck can easily be locked into the transport position.

## MAINTENANCE

### 7.1 MAINTENANCE CHART - RECOMMENDED SERVICE INTERVALS

Break-In (First 10)	HOURS						Procedure	Comments
	8	20	40	100	200	400		
X							Check all hardware for tightness	
X							Check hydraulic oil level	See paragraph 7.2
X							Check all belts for proper alignment	See paragraph 7.7
X							Check hydraulic hoses for leaks	Use extreme caution when checking the hydraulic hoses See paragraph 2.6
	X						Check seat belts for damage	See paragraph 2.5
	X						Check engine oil level	See paragraph 7.3
	X						*Clean mower	See paragraph 7.10
	X						Check condition of blades	See paragraph 7.8
	X						Check tire pressure	See paragraph 7.9
		X					Change engine oil and filter	See paragraph 7.3
			X				Check battery, clean battery posts and cables	See paragraph 7.6
			X				Check belts for proper alignment	See paragraph 7.7
				X			Check Operator Presence System	See paragraph 2.3
				X			Change engine oil	See paragraph 7.3
				X			Drain hydraulic system, replace hydraulic oil and filters	See paragraph 7.2 Use SAE 20W50 Motor Oil
				X			*Clean air cleaner element	See paragraph 7.5
					X		Check hardware for tightness	
					X		Change engine oil and filter	See paragraph 7.3
					X		Check hydraulic oil level	See paragraph 7.2
						X	Replace engine fuel filter	See paragraph 7.4
						X	Drain hydraulic system, replace hydraulic oil and filters	See paragraph 7.2 Use SAE 20W50 Motor Oil
						X	Adjust electric PTO clutch	See Scag Dealer

\* Perform these maintenance procedures more frequently under extreme dusty or dirty conditions.

### 7.2 HYDRAULIC SYSTEM

#### A. Checking Hydraulic System Oil Level

The hydraulic system oil level should be checked after the first 10 hours of operation. Thereafter, check the oil after every 200 hours of machine operation or monthly, whichever occurs first.

**-IMPORTANT-**

*If the oil level is consistently low, check for leaks and correct immediately.*

1. Wipe dirt and contaminants from around the reservoir.
2. When the machine is "cold" (before operation), visually check the level of hydraulic system oil. Hydraulic system oil level should be in the middle of the indicator window located on the left side of the machine (See Figure 7-2) . If the fluid is low, add 20W50 motor oil until the proper level is achieved. **DO NOT** overfill; (overfilling the oil reservoir may cause oil seepage).
3. Clean the fill cap and install it onto the reservoir.

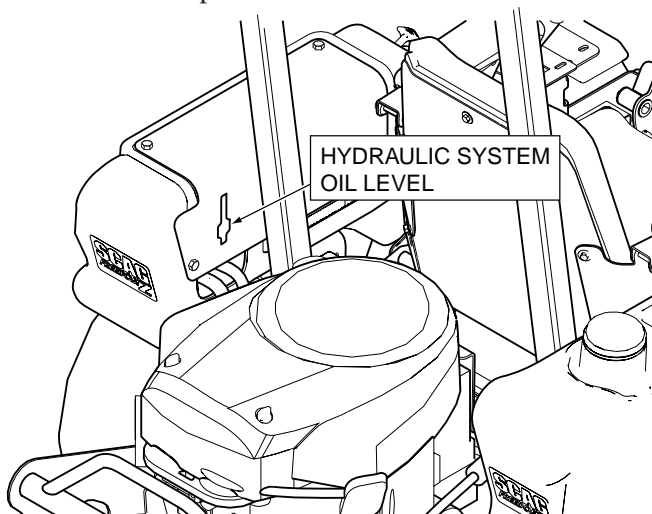


Figure 7-2 Hydraulic System Oil Level

#### B. Changing Hydraulic Oil

The hydraulic system oil should be changed after the first 120 hours of machine operation and every 400 hours or annually thereafter, whichever occurs first. The oil should also be changed if the color of the fluid has become black or milky. A black color and/or a rancid odor usually indicates possible overheating of the oil, and a milky color usually indicates water in the hydraulic oil.

**-IMPORTANT-**

*The hydraulic system oil should be changed if you notice the presence of water or a rancid odor to the hydraulic oil.*

1. Park the mower on a level surface and stop the engine.
2. Remove the three 1/4" filter guard screws and filter guard from both axles. (See Figure 7-3). Clean any loose debris from around the perimeter of the filter.
3. Place a suitable container under the hydraulic oil filters. Remove the cover from the left side tank to gain access to the hydraulic reservoir. Remove the fill cap from the reservoir.
4. Remove the hydraulic filters from both axles and allow the fluid to drain into the container. Properly discard the oil when the system has drained completely. (See Figure 7-3)

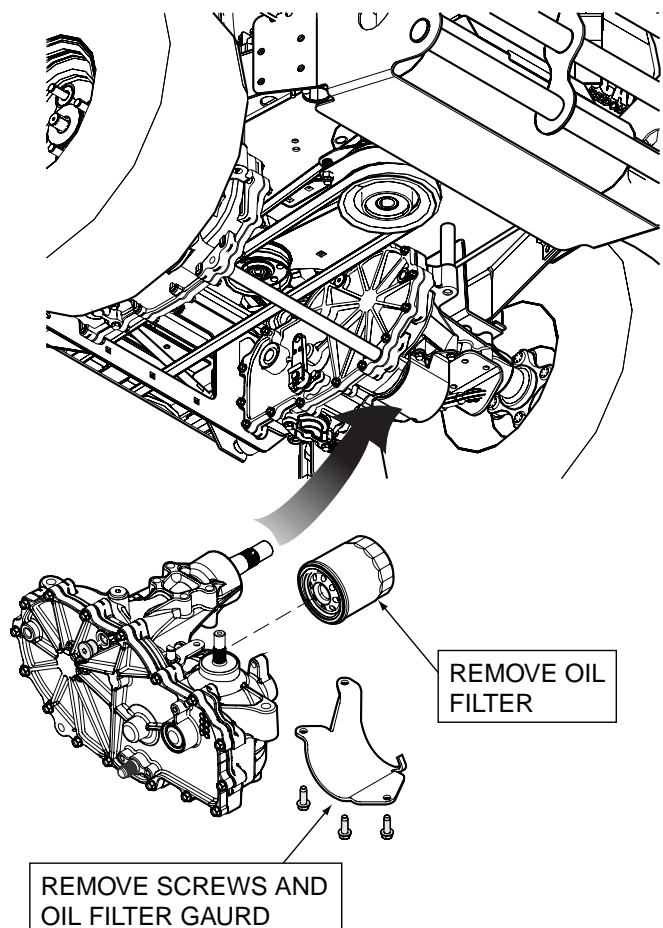
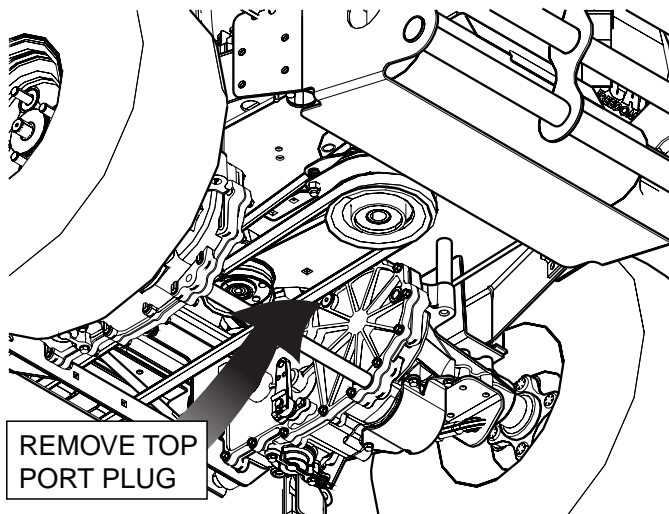


Figure 7-3 Hydraulic Oil Filter and Drain Plug

## Section 7

5. Once the hydraulic system has drained, install new hydraulic oil filters to both axles by hand, turn 3/4 to one complete turn after the filter gasket contacts the filter base.
6. Reinstall the filter guards and torque the screws to 65 in/lbs.
7. Remove the top port plug from both axles before filling with oil. (See Figure 7-4).



**Figure 7-4 Top Port Plug Location**

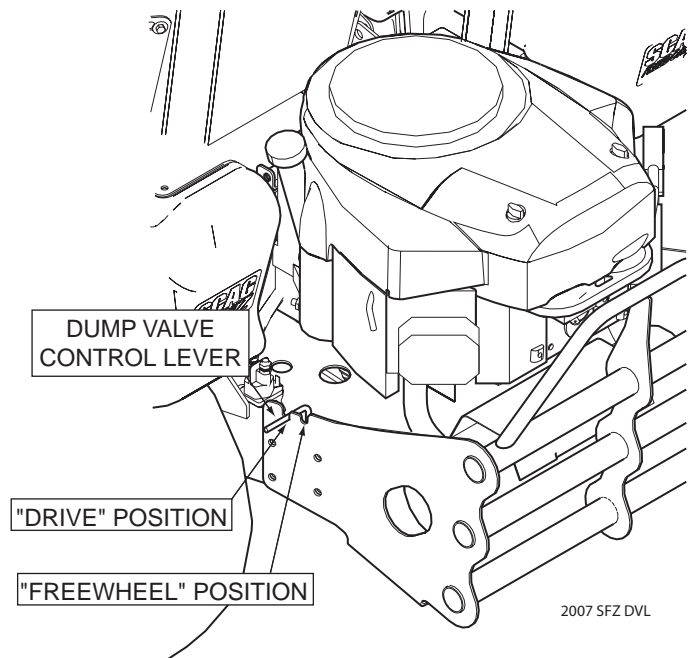
8. Fill the hydraulic system oil reservoir with 20w50 motor oil until oil just appears at the bottom of each axles top port. Approximately 5 quart capacity. Reinstall the top port plugs and torque to 180 in/lbs.

**-NOTE-**

*The left side axle will fill with oil first using approximately 4 Quarts of oil. Reinstall the top port plug in the left axle and continue filling the hydraulic system through the reservoir. The right side axle should fill up to the bottom on the top port plug after adding an additional one quart of oil. Reinstall the top port plug on the right axle and fill the hydraulic oil reservoir to the proper level as explained in section 7.2.*

9. Reinstall the hydraulic oil reservoir cap.
10. The hydraulic system will need to be purged. Raise the rear of the machine so the drive wheels are off the ground. Use jackstands and block the wheels to prevent the machine from moving.

11. Move the dump valve control levers to the "freewheel" position. (See Figure 7-5).



**Figure 7-5 Dump Valve Control Lever**

12. While in the operators position, start the engine and disengage the parking brake.
13. Run the engine at 1/2 throttle and move the steering control levers forward and backward 5 to 6 times.
14. Engage the parking brake. Move the dump valve control levers to the drive position. (See Figure 7-5).
15. While in the operators position,, run the engine at 1/2 throttle. Release the parking brake, move the steering control levers forward and backward 5 to 6 times. It may be necessary to repeat steps 12 to 15 until the air is completely purged from the system.
16. Check the hydraulic system oil level as explained in section 7.2.



### 7.3 ENGINE OIL

#### A. Checking Engine Crankcase Oil Level

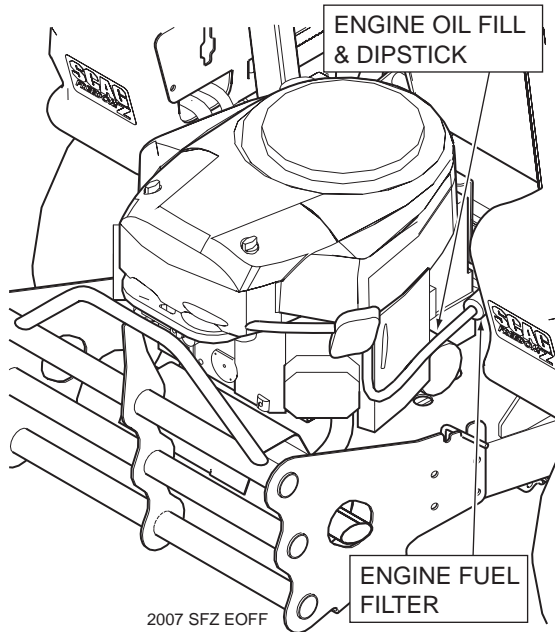
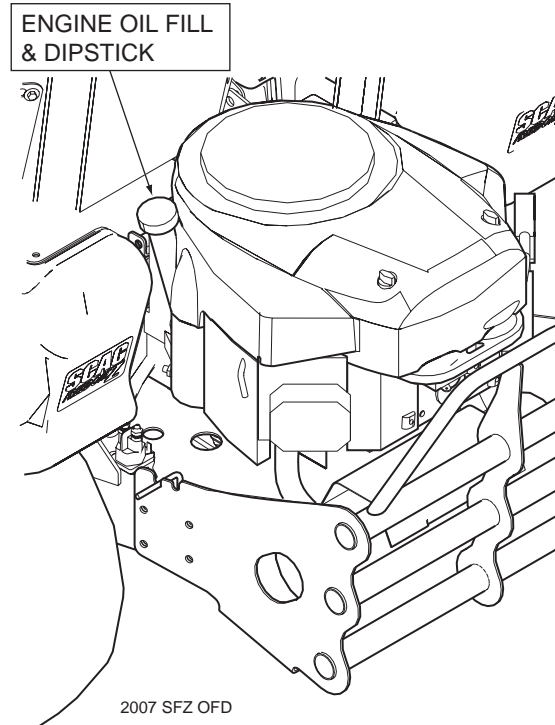
The engine oil level should be checked after every 8 hours of operation or daily as instructed in the Engine Operator's Manual furnished with this mower.

#### B. Changing Engine Crankcase Oil

After the first 20 hours of operation, change the engine crankcase oil and replace the oil filter. Thereafter, change the engine crankcase oil after every 100 hours of operation or bi-weekly, whichever occurs first. Refer to the Engine Operator's Manual furnished with this mower for instructions.

#### C. Changing Engine Oil Filter

After the first 20 hours of operation, replace the engine oil filter. Thereafter, replace the oil filter after every 200 hours of operation or every month, whichever occurs first. Refer to Engine Operator's Manual for instructions.



**Figure 7-6 Oil Fill/Dipstick, Oil Filter, Fuel Filter**

## Section 7

### 7.4 ENGINE FUEL SYSTEM



**DANGER:**  
To avoid injury from burns, allow the mower to cool before removing the fuel tank cap and refueling.

#### A. Filling the Fuel Tank

Fill the fuel tank at the beginning of each operating day to within 1 inch below the filler neck. Do not overfill. Use clean, fresh unleaded gasoline with a minimum octane rating of 87 and a maximum of 10% Ethanol.

To avoid personal injury or property damage, use extreme care in handling gasoline. Gasoline is extremely flammable and the vapors are explosive.

1. Extinguish all cigarettes, cigars, pipes and other sources of ignition.
2. Use only an approved gasoline container.
3. Never remove the gas cap or add fuel with the engine running. Allow the engine to completely cool before fueling.
4. Never fuel the machine indoors or in an enclosed trailer.
5. Never store the machine or fuel container where there is an open flame, spark or pilot light such as on a water heater or other appliances.
6. Never fill containers inside a vehicle or on a truck or trailer bed with a plastic liner. Always place containers on the ground away from your vehicle before filling.
7. Remove the machine from the truck or trailer and fuel on the ground. If this is not possible, then refuel the machine with a portable container, rather than from a gasoline dispenser nozzle.

8. Keep the nozzle in contact with the rim of the fuel tank or container opening at all times until fueling is complete. Do not use a nozzle lock-open device.
9. If fuel is spilled on clothing, change clothing immediately and wash affected skin.
10. Replace gas cap and tighten securely.

### 7.5 ENGINE AIR CLEANER

#### A. Cleaning and/or Replacing Air Cleaner Element

For any air cleaner, the operating environment dictates the air cleaner service periods. Inspect and clean the air cleaner element after every 100 hours of operation or bi-weekly, whichever occurs first and replace the element if required.

**-NOTE-**

*In extremely dusty conditions it may be necessary to check the element once or twice daily to prevent engine damage.*

1. Loosen the two bolts securing the air cleaner cover to the air cleaner assembly and remove the cover. Set aside.
2. Remove the air cleaner and inspect.
3. Clean or replace the air cleaner and foam pre-cleaner as recommended by the engine manufacturer.

### 7.6 BATTERY

#### **WARNING:**

Battery posts, terminals, and related accessories contain lead and lead compounds, chemicals known to the State of California to cause cancer and reproductive harm. Wash hands after handling.

#### **WARNING:**

Lead-acid batteries produce flammable and explosive gases. To avoid personal injury when checking, testing or charging batteries, **DO NOT** use smoking materials near batteries. Keep arcs, sparks and flames away from batteries. Provide proper ventilation and wear safety glasses.

#### **WARNING:**

Electric storage battery fluid contains sulfuric acid which is **POISON** and can cause **SEVERE CHEMICAL BURNS**. Avoid contact of fluid with eyes, skin, or clothing. Use proper protective gear when handling batteries. **DO NOT** tip any battery beyond 45° angle in any direction. If fluid contact does occur, follow first aid suggestions below.

#### BATTERY ELECTROLYTE FIRST AID

**EXTERNAL CONTACT** — Flush with water.

**EYES** — Flush with water for at least 15 minutes and get medical attention immediately.

**INTERNAL** — Drink large quantities of water. Follow with Milk Of Magnesia, beaten egg, or vegetable oil. Get medical attention immediately. In case of internal contact, **DO NOT** give fluids that would induce vomiting.

### A. Charging the Battery

Refer to the battery charger's manual for specific instructions.

Under normal conditions the engine's alternator will have no problem keeping a charge on the battery. If the battery has been completely discharged for a long period of time, the alternator may not be able to recharge the battery, and a battery charger will be required.

**DO NOT** charge a frozen battery. It may explode and cause injury. Let the battery warm before attaching a charger.

Whenever possible, remove the battery from the mower before charging and make sure the electrolyte covers the plates in all cells.

#### **WARNING:**

**BATTERIES PRODUCE EXPLOSIVE GASES. Charge the battery in a well ventilated space so gases produced while charging can dissipate.**

Charging rates between 3 and 50 amperes are satisfactory if excessive gassing or spewing of electrolyte does not occur or the battery does not feel excessively hot (over 125°F). If spewing or gassing occurs or the temperature exceeds 125°F, the charging rate must be reduced or temporarily stopped to permit cooling.

### B. Jump Starting

1. The booster battery must be a 12 volt type. If a vehicle is used for jump starting, it must have a negative ground system.
2. When connecting the jumper cables, connect the positive cable to the positive battery post, then connect the negative cable to the negative battery post.



## Section 7

### 7.7 DRIVE BELTS

All drive belts are spring loaded and self-tensioning, however after the first 2, 4, 8 and 10 hours of operation, the belts should be checked for proper alignment and wear. Thereafter, check the belts after every 40 hours of operation or weekly, whichever occurs first.

**-NOTE-**

*If you experience frequent belt wear or breakage, see your authorized Scag Dealer for belt adjustment.*

### 7.8 CUTTER BLADES

#### A. Blade Inspection

1. Remove the ignition key before servicing the blades.
2. Raise the mower deck to the highest position. Place the pin in the highest cutting height position to prevent the cutter deck from falling.

**⚠ WARNING:**

**Always wear proper hand and eye protection when working with cutter blades.**

3. Check the cutter blades for straightness. If the cutter blades appear bent, they will need to be replaced.

**⚠ WARNING:**

**Do not attempt to straighten a bent blade, and never weld a broken or cracked blade. Always replace it with a new blade to assure safety.**

4. If a blade cutting edge is dull or nicked, it should be sharpened. Remove the blades for sharpening. See "Blade Replacement."

**-NOTE-**

*Keep the blades sharp. Cutting with dull blades not only yields a poor mowing job, but slows the cutting speed of the mower and causes extra wear on the engine and the blade drive.*

#### B. Blade Sharpening

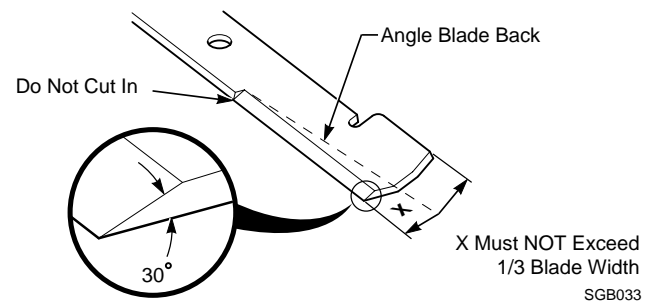
**-NOTE-**

*If possible, use a file to sharpen the blade. Using a wheel grinder may burn the blade.*

**-NOTE-**

*DO NOT sharpen the blades beyond 1/3 of the width of the blade.*

1. Sharpen the cutting edge at the same bevel as the original (See Figure 7-8). Sharpen only the top of the cutting edge to maintain sharpness.



**Figure 7-8 Blade Sharpening**

2. Check the balance of the blade. If the blades are out of balance, vibration and premature wear can occur. See your authorized Scag dealer for blade balancing or special tools, if you choose to balance your own blades.

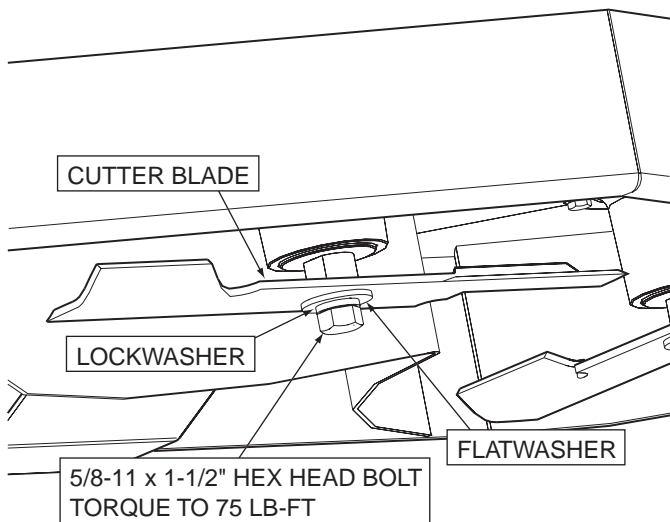
#### C. Blade Replacement

**⚠ WARNING:**

**Always wear proper hand and eye protection when working with cutter blades.**

1. Remove the ignition key before replacing the blades.
2. Raise the mower deck to the highest position. Place the cutting height pin in the highest cutting height position to prevent the cutter deck from falling.

3. Secure the cutter blades to prevent them from rotating, (Use the optional Blade Buddy tool, P/N 9212, to assist in securing the cutter blades), remove the blade attaching bolt. Remove the cutter blade, bolt, lockwasher and flatwasher from the spindle shaft. (Figure 7-9).
4. To install the new cutter blade, put the lockwasher and flatwasher onto the blade bolt and slide the bolt into the hole in the cutter blade.



**Figure 7-9 Blade Replacement**

**-NOTE-**

*Be sure that the blade is installed with the lift wing toward the top of the cutter deck.*

5. Install the cutter blade onto the cutter spindle shaft. Secure the blades from rotating and torque to 75 lbs-ft. (See Figure 7-9).

### 7.9 TIRES

Check the tire pressures after every 8 hours of operation or daily.

Caster Wheels .....	25 PSI
Drive Wheels .....	8 PSI

### 7.10 BODY, DECK, AND UPHOLSTERY

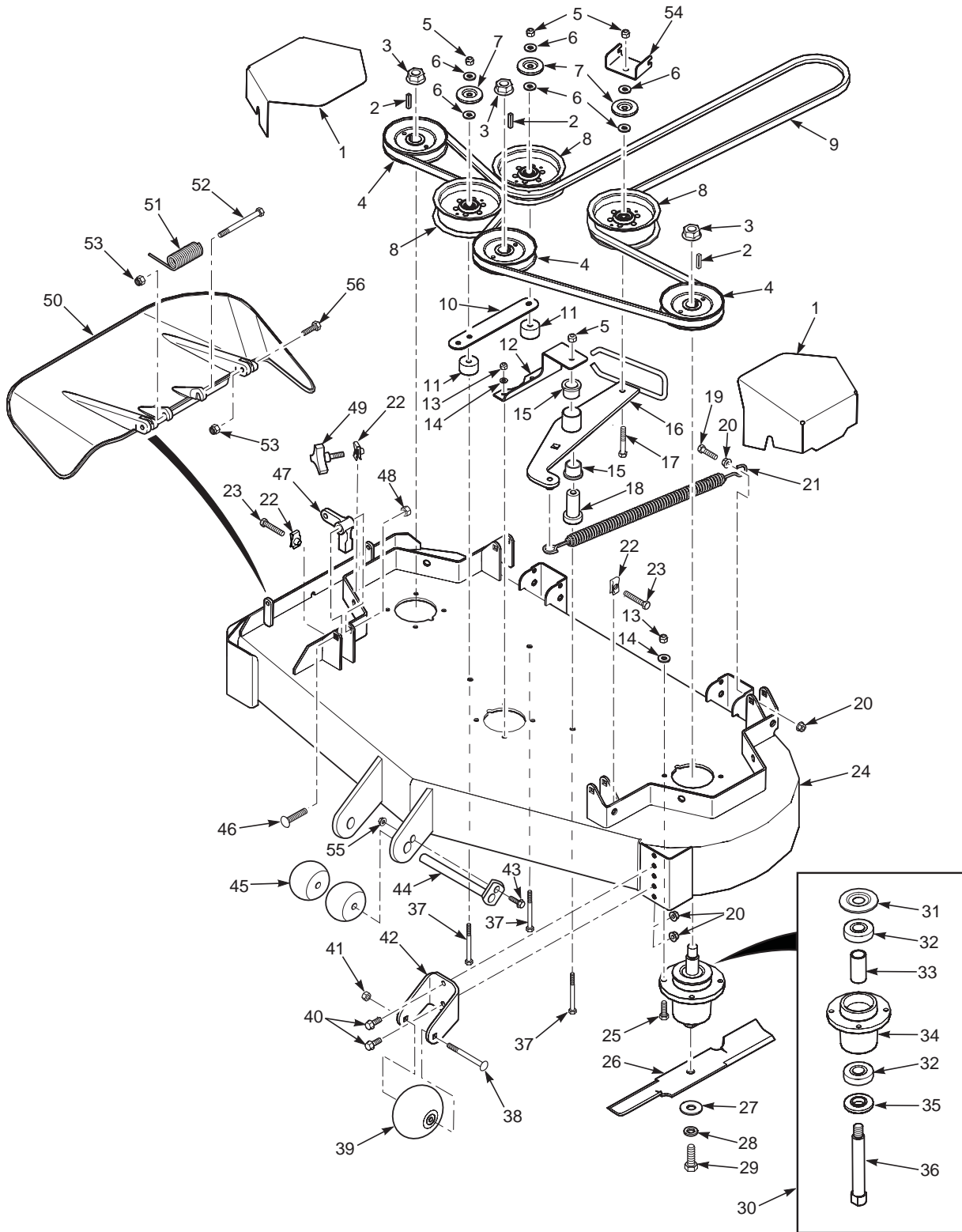
#### **CAUTION:**

**Do not wash any portion of the equipment while it is hot. Do not wash the engine; use compressed air.**

1. After each use, wash the mower and cutter deck. Use cold water and automotive cleaners. Do not use pressure cleaners.
2. Do not spray electrical components.
3. Use a mild soap solution or a vinyl/rubber cleaner to clean the seat.
4. Repair damaged metal surfaces using Scag touch-up paint (P/N 48521) available from your authorized Scag dealer. Wax the mower with an automotive paint wax for maximum paint protection.

NOTES

### 48" & 52" CUTTER DECKS



2007 SFZ CD

## 48" &amp; 52" CUTTER DECKS

Ref. Part No.	Part No.	Description	48	52	Ref. Part No.	Part No.	Description	48	52
1	424528	Belt Cover	x	x	28	04030-07	Lockwasher, 1/2 Spring	x	x
2	04063-01	Key, 1/4 x 1/4 x 1-1/4"	x	x	29	04001-121	Bolt, Hex Head 5/8-11 x 1-1/2"	x	x
3	04112-06	Nut, 3/4-16 Spiral Lock	x	x	30	461950	Spindle Assembly	x	x
4	483323	Pulley, 5.13" OD - 25mm Bore	x		31	483304	Debris Shield	x	x
	483324	Pulley, 5.73" OD - 25mm Bore		x	32	483303	Bearing	x	x
5	04021-09	Nut, Elastic Stop 3/8-16	x	x	33	43693	Spacer, Bearing	x	x
6	04043-04	Flatwasher, 3/8 - .391 x .938 x .105	x	x	34	462014	Spindle Housing Assembly (incl. 32, 33)	x	x
7	424367	Dust Shield	x	x	35	43694	Protector, Bearing	x	x
8	483422	Pulley, 5" Idler	x	x	36	43695	Shaft, Spindle	x	x
9	483325	Belt, Cutter Deck	x		37	04001-77	Bolt, Hex Head 3/8-16 x 3-1/2"	x	x
	483326	Belt, Cutter Deck		x	38	04003-26	Bolt, Carriage 3/8-16 x 4"	x	x
10	424479	Brace, Pulley	x	x	39	481632	Wheel, Anti-Scalp	x	x
11	43711	Spacer	x	x	40	04017-27	Bolt, Hex Head 3/8-16 x 1" Serr. Flange	x	x
12	424548	Support, Idler Pivot	x		41	04021-05	Nut, Center Lock 3/8-16	x	x
	424547	Support, Idler Pivot		x	42	422478	Bracket, Anti-Scalp	x	x
13	04021-22	Nut, Elastic Stop 5/16-18	x	x	43	04001-09	Bolt, Hex Head 5/16-18 x 1"	x	x
14	04030-03	Lockwasher, 5/16 Spring	x	x	44	451926	Shaft Weldment	x	x
15	483453-03	Bearing	x	x	45	482295	Wheel, Anti-Scalp	x	x
16	462037	Idler Arm (incl. Item #15)	x	x	46	04003-42	Bolt, Carriage 7/16-14 x 2-1/4"	x	x
17	04001-31	Bolt, Hex Head 3/8-16 x 2-1/2"	x	x	47	483361	Lever, Deck Level	x	x
18	43708	Pivot, Idler	x	x	48	04021-11	Nut, Elastic Stop 7/16-14	x	x
19	04001-136	Bolt, Hex Head 3/8-16 x 1-1/2" Gr. 8	x	x	49	481625-01	Knob w/Stud	x	x
20	04019-04	Nut, Serrated Flange 3/8-16	x	x	50	462031	Discharge Chute Assembly	x	
21	483375	Spring, Idler	x	x		462032	Discharge Chute Assembly		x
22	04110-03	U-Nut, 3/8-16	x	x	51	482245	Spring, Discharge Chute	x	x
23	04107-04	Bolt, Hex Head 3/8-16 x 2" Special Lock	x	x	52	04001-154	Bolt, Hex Head 5/16-18 x 4-3/4"	x	x
24	462039	Cutter Deck w/Decals, SFZ	x		53	04021-10	Nut, Elastic Stop 5/16-18	x	x
	*462038	Cutter Deck w/Decals, SFZ		x	54	424615	Bracket, Belt Guide	x	x
	462040	Cutter Deck w/Decals, SFZ		x	55	04019-03	Nut, Serrated Flange 5/16-18	x	x
25	04001-11	Bolt, Hex Head 5/16-18 x 1-1/2"	x	x	56	04001-12	Bolt, Hex Head 5/16-18 x 1-3/4"	x	x
26	482877	Cutter Blade, 16.5"	x						
	482878	Cutter Blade, 18"		x					
27	04043-06	Flatwasher, 5/8-.688 x 1.75 x .134 HD	x	x					

\* Used on machines with a serial number in the following range only. D1500001 to D1500047.

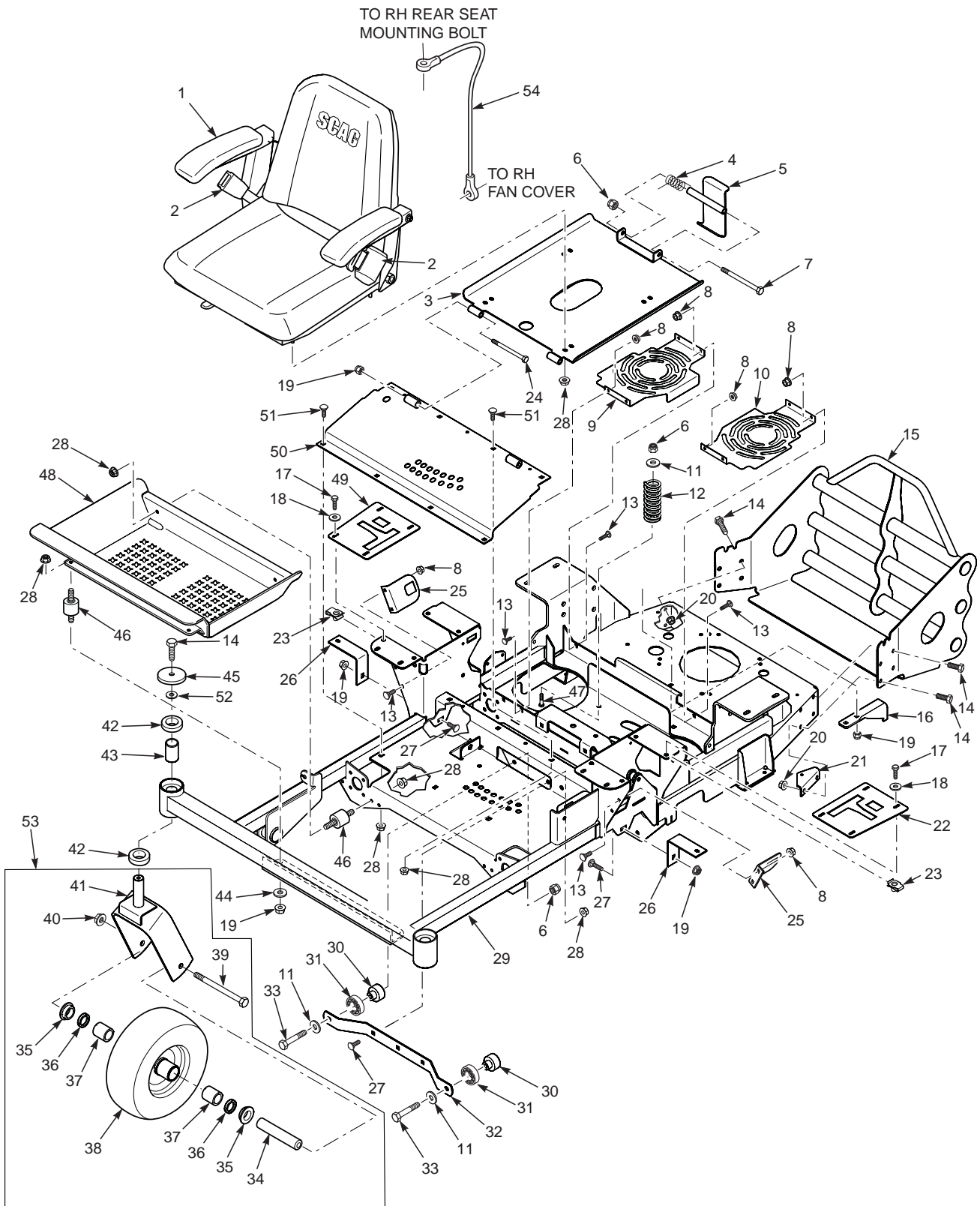


## CUTTER DECK CONTROLS

Ref. No.	Part No.	Description
1	483341	Cable, Deck Lift
2	04003-31	Bolt, Carriage 3/8-16 x 3/4"
3	424476	Support, Idler Arm
4	43710	Spacer, Deck Lift Pivot
5	04001-90	Bolt, Hex Head 1/2-13 x 3-1/4"
6	04001-183	Bolt, Hex Head 1/2-13 x 1-3/4"
7	483453-03	Bearing
8	04040-07	Flatwasher, 1/2-.531 x 1.06 x .095
9	461999	Deck Lift Bellcrank Assy.
10	04064-17	Clevis Pin, 5/16 x 3/4"
11	04062-01	Hair Pin, .094 x 1.62"
12	04021-07	Nut, Elastic Stop 1/2-13
13	04021-10	Nut, Elastic Stop 5/16-18
14	04040-13	Flatwasher, 1/2-.562 x 1.375 x .109
15	04021-19	Nut, Center Lock 1/2-13
16	483332	Linkage, Push Arm
17	424489	Bracket, Push Arm Link
18	04019-04	Nut, Serrated Flange 3/8-16
19	04021-09	Nut, Elastic Stop 3/8-16
20	04001-49	Bolt, Hex Head 5/16-18 x 3"
21	04001-52	Bolt, Hex Head 1/2-13 x 2-1/2"
22	483334	Bearing, Deck Lift
23	04001-20	Bolt, Hex Head 3/8-16 x 1-1/2"
24	451868	Weldment, Deck Lift LH
25	04040-14	Flatwasher, 1/4-.312 x .750 x .065
26	04001-09	Bolt, Hex Head 5/16-18 x 1"
27	451867	Weldment, Deck Lift RH
28	482628	Chain, Deck Lift
29	483374	Spring, Deck Lift
30	43710	Sleeve, Deck Lift Pivot
31	04001-74	Bolt, Hex Head 1/2-13 x 3"
32	04105-01	Bolt, Hex Socket 5/8-11 x 1-1/2"
33	04030-07	Lockwasher, 5/8" Spring
34	424535	Pedal, Foot Bracket
35	424504	Foot Pedal
36	483492	Grip, Deck Latch
37	491254	Weldment, Deck Latch
38	04009-06	Bolt, Shoulder 1/2 x 1/2"
39	483453-10	Bearing
40	483328	Linkage Assy., Deck Lift
41	483367	Linkage Assy., Deck Lift



### SHEET METAL COMPONENTS



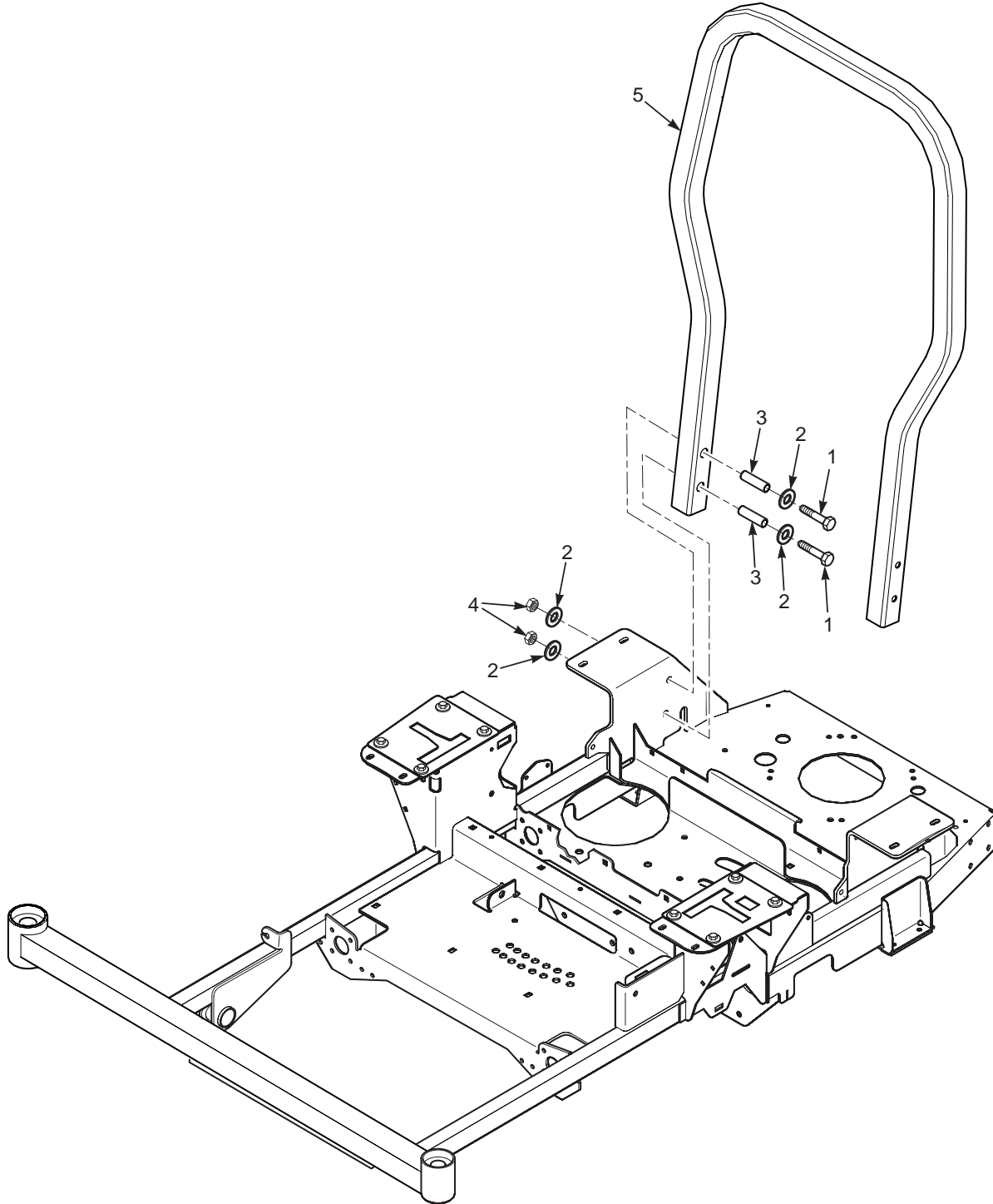
2007 SFZ SMC

## SHEET METAL COMPONENTS

Ref. Part No.	Part No.	Description	Ref. Part No.	Part No.	Description
1	483408	Seat Assembly	28	04019-03	Nut, Serrated Flange 5/16-18
	483544	Back Cushion	29	462022	Main Frame w/Decals
	483545	Bottom Cushion		*462016	Main Frame w/Decals
	483549	Arm Rest Kit	30	43703	Spacer, Bearing
	483543	Seat Adjustment Track Set	31	483379	Bearing
2	483412	Seat Belt Assembly, Retractable	32	424480	Support, Deck Guide
	461990	Hardware Package, Seat Belt Mounting	33	04001-31	Bolt, Hex Head 3/8-16 x 2-1/2"
3	462034	Seat Base w/decal	34	43698	Sleeve, Front Caster Wheel
	*462029	Seat Base w/decal	35	483453-09	Bearing
4	483371	Spring, Seat Latch	36	483486	Seal, 1 x 1.375 x .25
5	451883	Seat Latch	37	483453-08	Bearing
6	04021-09	Nut, Elastic Stop 3/8-16	38	483409	Caster Wheel Assembly
7	04001-100	Bolt, Hex Head 3/8-16 x 6"		483417	Tire, 11 x4-5.00 2-Ply
8	04019-02	Nut, Serrated Flange 1/4-20		483410	Rim, 5 x 3.25 w/Valve
9	424585	Cover, Fan RH	39	04001-80	Bolt, Hex Head 1/2-13 x 6-1/2"
10	424550	Cover, Fan LH	40	04021-07	Nut, Elastic Stop 1/2-13
11	04041-07	Flatwasher, 3/8-.391 x .938 x .105	41	451845	Yoke, Caster Wheel
12	483372	Spring, Seat	42	483466	Bearing
13	04003-07	Bolt, Carriage 1/4-20 x 1/2"	43	43736	Spacer, Caster Bearing
14	04001-19	Bolt, Hex Head 3/8-16 x 1"	44	04040-15	Flatwasher, 5/16-.375 x .875 x .083
15	451929	Rear Bumper	45	04041-38	Flatwasher, 3/8-.406 x 2.25 x .188
16	424523	Bracket, Anti-Rotation	46	483493	Rubber Isolator
17	04001-14	Bolt, Hex Head 1/4-20 x 1"	47	04003-11	Bolt, Carriage 3/8-16 x 1-1/4"
18	04040-14	Flatwasher, 1/4-.312 x .750 x .065	48	451889	Foot Plate Weldment
19	04021-10	Nut, Elastic Stop 5/16-18	49	462024	Control Plate RH
20	04019-04	Nut, Serrated Flange 3/8-16		*462018	Control Plate RH
21	424639	Bracket, Dump Valve	50	462005	Weldment, Deck Lift Cover
22	462023	Control Plate LH	51	04003-14	Bolt, Carriage 5/16-18 x 1/2"
	*462017	Control Plate LH	52	04040-11	Flatwasher, 7/16-.500 x 1.250 x .083
23	04110-01	U-Nut 1/4-20	53	462015	Caster Wheel Assembly w/Yoke
24	04001-73	Bolt, Hex Head 5/16-18 x 3-3/4"	54	483559	Cable, Seat Stop
25	424511	Bracket, Switch Mount			
26	424516	Bracket, Tank Mount			
27	04003-12	Bolt, Carriage 5/16-18 x 3/4"			

\* Used on machines with a serial number in the following range only. D1500001 to D1500047.

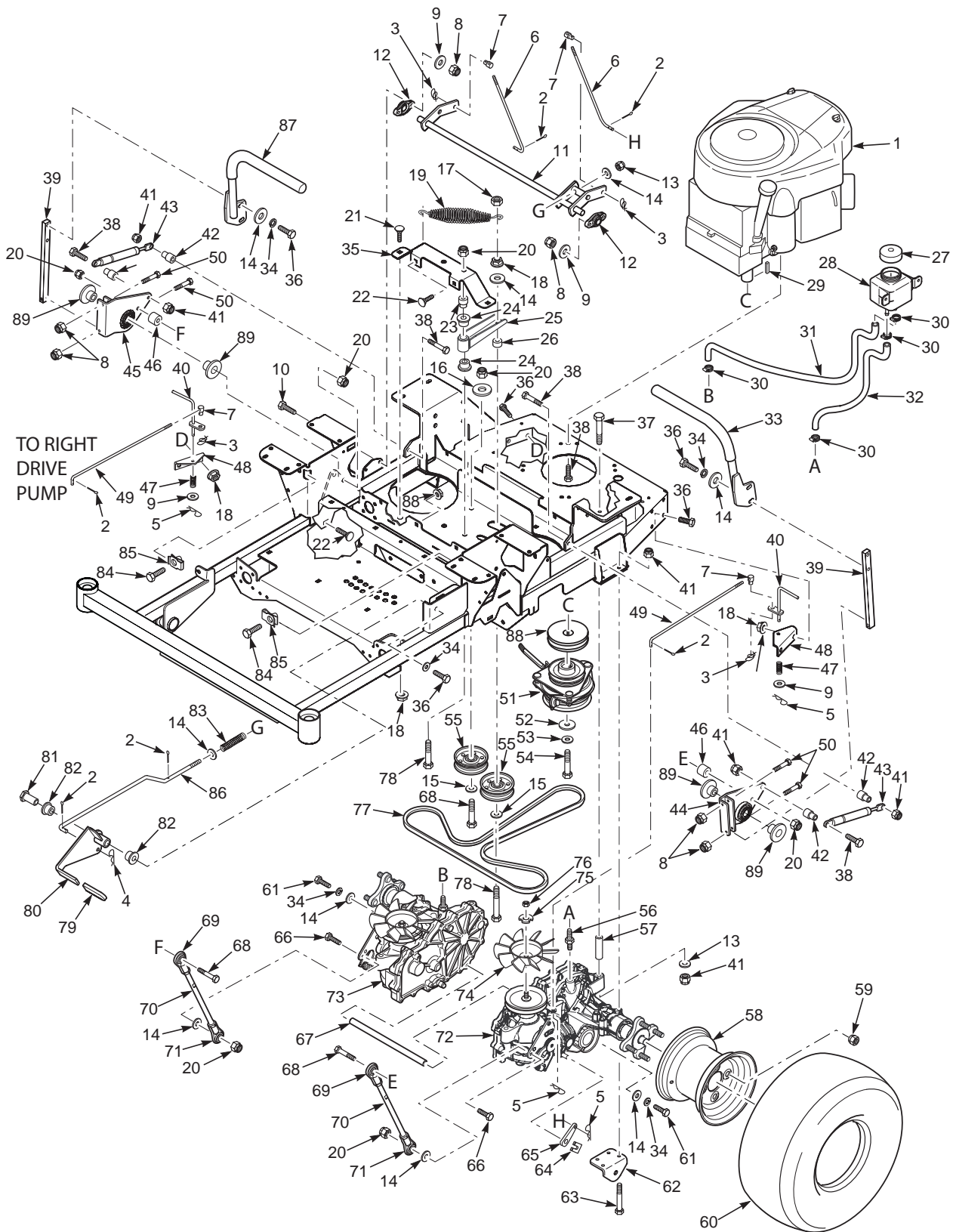
### SFZ ROLL-OVER PROTECTION SYSTEM



**SFZ ROLL-OVER PROTECTION SYSTEM**

<b>Ref. Part No. No.</b>	<b>Description</b>
1 04001-184	Bolt, Hex Head 1/2-13 x 3-1/4" Gr. 8
2 04040-13	Flatwasher, 1/2-.562 x 1.375 x .109
3 43743	Bushing, SFZ ROPS
4 04021-19	Nut, Center Lock 1/2-13
5 462021	ROPS, SFZ

### DRIVE SYSTEM COMPONENTS



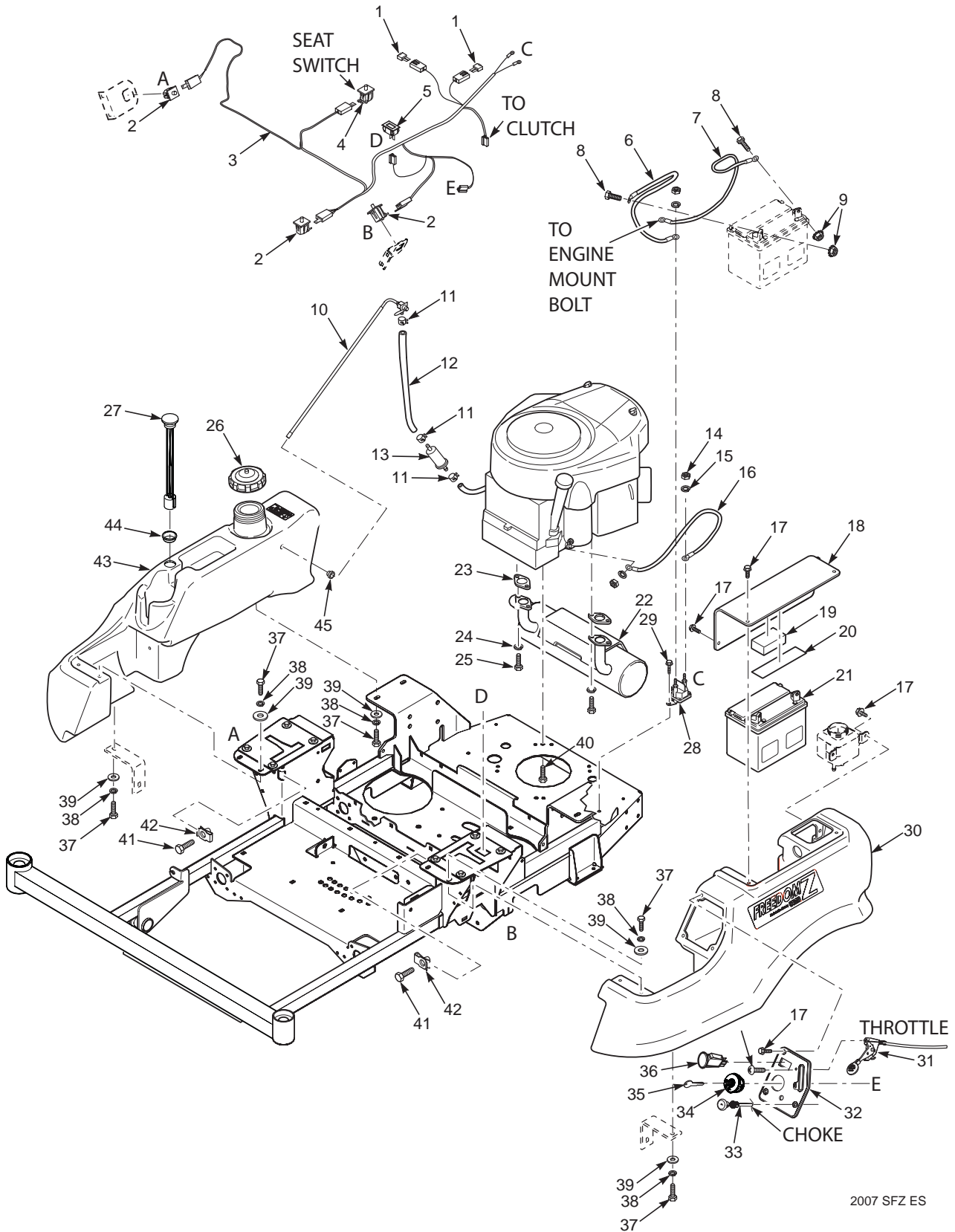
2007 SFZ DSC

## DRIVE SYSTEM COMPONENTS

Ref. Part No.	Part No.	Description	Ref. Part No.	Part No.	Description
1	483465	Engine, Briggs & Stratton 26hp	49	44162	Rod, Brake Linkage
	483516	Engine, Kawasaki 19hp	50	04001-04	Bolt, Hex Head 1/4-20 x 1-1/2"
2	04061-01	Cotter Pin, 3/32 x 1"	51	462012	Electric Clutch Assy.
3	04069-01	Pin, Rue Cotter 3/8" Dia.	52	04041-28	Flatwasher, 7/16-.469 x 1.75 x .25
4	04062-02	Hair Pin Cotter, .080 x 1.19"	53	04030-05	Lockwasher, 7/16" Spring
5	04019-03	Nut, Serrated Flange 5/16-18	54	04102-03	Bolt, Hex Head 7/16-20 x 2-1/4" Patch
6	44165	Rod, Brake Adjustment	55	483421	Pulley, 3-1/2" Dia.
7	43726	Joint, Swivel	56	482800-03	Fitting, Transmission
8	04021-08	Nut, Elastic Stop 1/4-20	57	43700	Spacer, Axle
9	04040-14	Flatwasher, 1/4-.312 x .750 x .065	58	481868	Rim w/Valve Stem
10	04017-07	Bolt, Serrated Flange 1/4-20 x 1-1/4"	59	04028-02	Wheel Nut, 1/2-20
11	451884	Weldment, Brake Lever	60	483390	Wheel Assy.
12	483504	Bearing		483389	Tire, 20 x 10-8 2-Ply
13	04040-15	Flatwasher, 5/16-.375 x .875 x .083	61	04001-46	Bolt, Hex Head 3/8-16 x 2-1/4"
14	04041-07	Flatwasher, 3/8-.391 x .938 x .105	62	424489	Bracket, Pusharm Link
15	04043-04	Flatwasher, 3/8-.391 x .938 x .105 HD	63	04001-49	Bolt, Hex Head 5/16-18 x 3"
16	04041-11	Flatwasher, 3/8-.406 x 1.5 x 7 GA.	64	HG51190	Clip, Brake Lever
17	04021-05	Nut, Center Lock 3/8-16	65	HG52639	Lever, Brake
18	04019-04	Nut, Serrated Flange 3/8-16	66	04001-32	Bolt, Hex Head 3/8-16 x 1-1/4"
19	483087	Spring, Transmission Idler	67	43701	Spacer, Axles
20	04021-09	Nut, Elastic Stop 3/8-16	68	04001-45	Bolt, Hex Head 3/8-16 x 2"
21	04003-31	Bolt, Carriage 3/8-16 x 3/4"	69	483339	Rod End, 3/8-24 UNF RH
22	04003-12	Bolt, Carriage 5/16-18 x 3/4"		04020-25	Nut, Jam 3/8-24 UNF RH
23	43715	Shaft Pivot, Idler Arm	70	483337	Linkage, Pump
24	483453-04	Bearing	71	483340	Rod End, 3/8-24 UNF LH
25	462004	Transmission Idler Arm Assy.		04020-26	Nut, Jam 3/8-24 UNF LH
26	43720	Spacer, Idler Pulley	72	483527	Transaxle Assy, LH (ZL-KCEF-3LKG-1EXX)
27	483514	Cap		*483348	Transaxle Assy, LH (ZJ-KCEE-1B7C-1EXX)
28	483438	Reservoir Assy.	73	483528	Transaxle Assy, RH (ZL-GCEF-3LKF-1EXX)
29	04063-31	Key, 1/4 x 1/4 x 1-3/4"		*483347	Transaxle Assy, RH (ZJ-GCEE-1F7B-1EXX)
30	48136-05	Clamp, .87" Max Dia.	74	HG51862	Fan
31	483431	Hose, RH Transmission	75	HG51523	Fan Washer
32	483432	Hose, LH Transmission	76	HG44133	Fan Nut
33	462001	Handle Bar Assy. w/Grip	77	483314	Belt, Transmission Drive
	482340	Grip		*483463	Belt, Transmission Drive
34	04030-04	Lockwasher, 3/8" Spring	78	04001-54	Bolt, Hex Head 3/8-16 x 3"
35	424476	Support, Idler Arm	79	482102	Grip, Brake Handle
36	04001-19	Bolt, Hex Head 3/8-16 x 1"	80	462010	Brake Handle Assy.
37	04001-49	Bolt, Hex Head 5/16-18 x 3"	81	43722	Spacer, Brake Handle
38	04001-11	Bolt, Hex Head 5/16-18 x 1-1/2"	82	483453-05	Bearing
39	424498	Bar, Control Lever	83	483538	Spring, Brake
40	451912	Dump Valve Lever	84	04107-01	Bolt, Hex Head 3/8-16 x 1-1/4 Special Lock
41	04021-10	Nut, Elastic Stop 5/16-18	85	04110-03	U-Nut, 3/8-16
42	43602	Spacer, Pump Dampener	86	44157	Rod, Brake Linkage
43	482794	Dampener	87	462000	Handle Bar w/Grip
44	462019	Control Linkage, LH		482340	Grip
45	462020	Control Linkage, RH	88	483320	Pulley, 4-1/2" Dia. 1" Bore
46	43674	Spacer		*483464	Pulley, 4" Dia. 1" Bore
47	482070	Spring	89	43719	Spacer, Linkage
48	424639	Bracket, Dump Mounting			

\* Used on machines with a serial number in the following range only. D1500001 to D1500047.

### FUEL AND ELECTRICAL SYSTEM



2007 SFZ ES



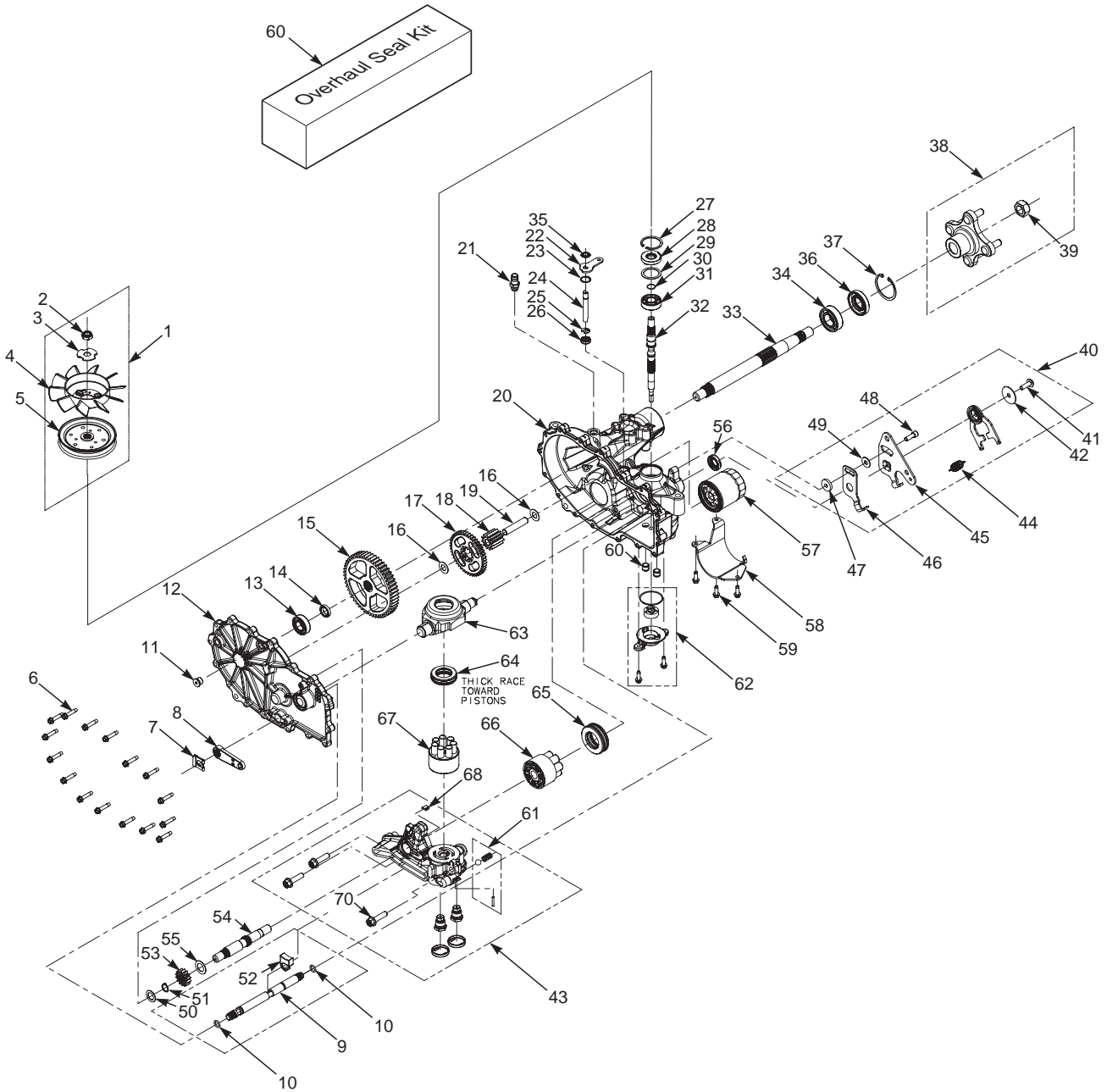
## FUEL AND ELECTRICAL SYSTEM

Ref. Part No. No.	Description	Ref. Part No. No.	Description
1	48298 Fuse, 20amp	29	04011-13 Bolt, Self Tapping 1/4-20 x 3/4" Shakeproof
2	483473 Switch	30	483364 Tank, LH
3	483558 Wire Harness, Main	31	483434 Throttle Cable
4	483474 Switch, Seat	32	462036 Instrument Panel w/Decal
5	483537 Hourmeter	33	483435 Choke Cable
6	48029-13 Battery Cable, Red 25"	34	483472 Ignition Switch
7	48029-11 Battery Cable, Black 27"	35	48017-02 Key, Ignition
8	04001-44 Bolt, Hex Head 1/4-20 x 1/2"	36	483162 PTO Switch
9	04020-02 Nut, 1/4-20	37	04001-08 Bolt, Hex Head 5/16-18 x 3/4"
10	483555 Fuel Tube Assy.	38	04030-03 Lockwasher, 5/16" Spring
	*48568 Valve, Fuel Shutoff	39	04040-15 Flatwasher, 5/16-.375 x .875 x .083
11	48059-01 Clamp, Fuel Hose 1/4"ID	40	04001-11 Bolt, Hex Head 5/16-18 x 1-1/2"
12	48058 Fuel Hose (order by inch)	41	04107-03 Bolt, Hex Head 3/8-16 x 1-1/4" Special Lock
13	** Fuel Filter	42	04110-03 U-Nut, 3/8-16
14	Nut, 5/16-24 UNF Jam	43	462009 Fuel Tank Assy, RH
15	Lockwasher, 5/16"	44	483536 Grommet
16	48029-09 Battery Cable, Red 9"	45	482571 Bushing, .56" Dia. Viton
17	04017-04 Bolt, Hex Head 1/4-20 x 1/2" Serrated Flange		
18	461996 Battery Cover (incl. items 19 & 20)		
19	483452 Pad, Battery Hold Down		
20	483508 Rubber Pad		
21	483420 Battery (not avail. through Scag)		
22	483381 Muffler, Briggs & Stratton		
	483383 Muffler, Kawasaki		
23	** Exhaust Gasket		
24	** Lockwasher		
25	** Bolt		
26	482547 Cap, Fuel Tank		
27	483523 Fuel Gauge Assy.		
28	483278 Solenoid		

\* Used on machines with a serial number in the following range only. D1500001 to D1500047.

\*\* Available through the individual engine manufacturer.

### ZT-2800 HYDRAULIC AXLE ASSEMBLY



### ZT-2800 HYDRAULIC AXLE ASSEMBLY

Ref. Part No. No. Description	Ref. Part No. No. Description
1 HG70489 Kit, Fan & Pulley	39 HG50863 Nut, Hex Locking 3/4-16
2 HG51244 Nut, Hex Locking 1/2-20	40 HG71595 Kit, RTN Assembly
3 HG51523 Washer, Slotted	41 HG51812 Bolt, 5/16-24 x 1" Patch
4 HG51862 Fan, 7" Dia. (10 Blade)	42 HG51950 Washer, .343 x 1.5 x .062
5 HG52364 Pulley, Cupped 4-1/2" Dia.	43 HG71565 Kit, Center Section RH
HG52366 Hub, Pulley	HG71566 Kit, Center Section LH
6 HG51190 Bolt, Hex Head 1/4-20 x 1-1/4"	44 HG51605 Spring
7 HG52027 Clip, Retaining	45 HG52682 Arm, Control
8 HG52639 Handle, Brake	46 HG51945 Arm, Neutral RH
9 HG52640 Shaft, Brake	HG51946 Arm, Neutral LH
10 HG51804 O-Ring	47 HG52527 Spacer, .320 x 1.005 x .179
11 HG9005110-5600 Plug, 9/16-18	48 HG51616 Bolt, 5/16-24 x 1" Patch
12 HG71572 Kit, Side Cover RH	49 HG44130 Washer, .34 x .88 x .06
HG71574 Kit, Side Cover LH	50 HG44371 Washer, .63 x 1.0 x .05
13 HG44121 Bearing, Ball .75 x 40 x 12	51 HG44145 Ring, Retaining
14 HG52161 Spacer, .75 x 1.0 x .257	52 HG52641 Pawl, Brake
15 HG52108 Gear, 54T	53 HG52341 Gear, 14T Steel
16 HG50132 Washer, .5 x 1.0 x .03	54 HG52150 Shaft, Motor
17 HG52110 Gear, 45T	55 HG51069 Washer, .72 x 1.16 x .04
18 HG52586 Gear, 11T Steel	56 HG51140 Seal, Lip 18 x 32 x 7
19 HG51083 Jackshaft Pin	57 HG52114 Filter
20 HG71413 Kit, Housing RH	58 HG52257 Filter Guard
HG71421 Kit, Housing LH	59 HG50752 Bolt, 1/4-20 x 3/4"
21 482800-03 Fitting	60 HG71410 Seal Kit
22 HG51329 Arm, Bypass	61 HG71436 Kit, Charge Relief
23 HG51627 Ring, Retaining .750 Internal	62 HG71411 Kit, Charge Pump
24 HG52136 Rod, Bypass	63 HG51048 Trunnion Swashplate
25 HG51628 Ring, Retaining .375 External	64 HG50551 Thrust Bearing
26 HG51626 Seal, Lip .375 x .75 x .25	65 HG51462 Thrust Bearing
27 HG50329 Ring, Retaining 2.06 Internal	66 HG71579 Kit, Motor Cylinder Block
28 HG51161 Seal, Lip 17 x 40 x 7	67 HG70723 Kit, Cylinder Block
29 HG50951 Washer, 1.23 x 1.56 x .04	68 HG71448 Plate, Bypass
30 HG2000022 Ring, Retaining Wire	69 HG71436 Kit, Charge Relief
31 HG50315 Bearing, Ball 17 x 40 x 12 Open	70 HG52137 Bolt, Hex Head 3/8-16 x 1-1/2" Patch
32 HG52155 Shaft, Input	
33 HG71569 Shaft Kit, Axle	
34 HG50771 Bearing, Ball 1.0 x 52 x 15 Open	
35 HG51630 Ring, Retaining .375 External	
36 HG50772 Seal, Lip 25 x 52 x 10 TC Gray	
37 HG50859 Ring, Retaining 2.06 Internal	
38 HG71405 Kit, Hub	
HG71241 Hub, Puller (not shown)	

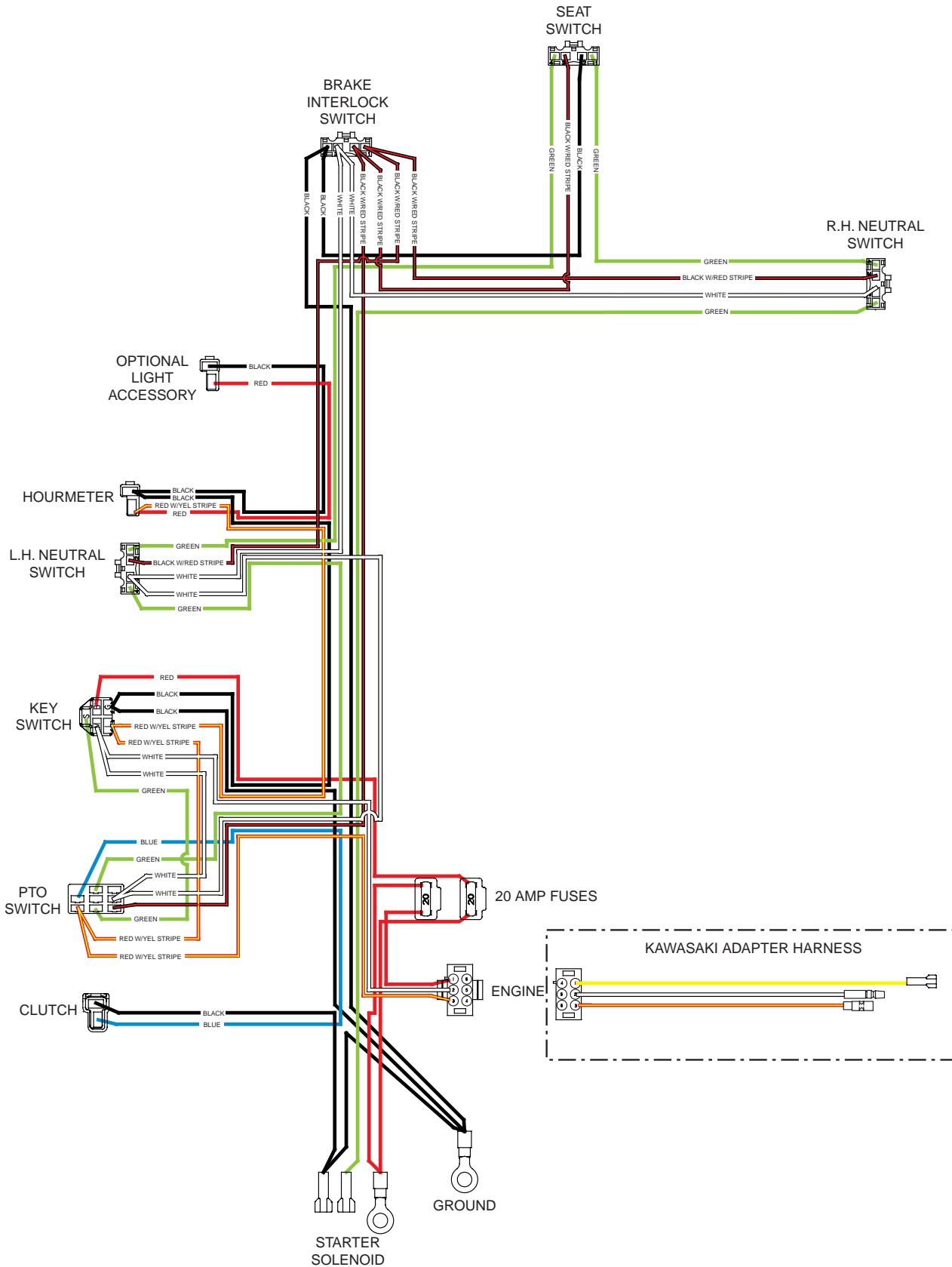


**REPLACEMENT DECALS AND INFORMATION PLATES**

<b>Ref. No.</b>	<b>Part No.</b>	<b>Description</b>
1	483402	Decal, Belt Cover
2	483405	Decal, Warning
3	483425	Decal, ROPS
4	483505	Decal, Spinning Blades
5	481568	Decal, Traction Control
6	483411	Decal, Seat Replacement
7	483494	Decal, 48 Commercial
	483495	Decal, 52 Commercial
8	483406	Decal, Knives
9	483556	Decal, Adjustment SFZ
	*483502	Decal, Adjustment SFZ
10	483499	Decal, Control Panel
11	483501	Decal, Front SFZ
12	483467	Decal, Cutting Height

\* Used on machines with a serial number in the following range only. D1500001 to D1500047.

### ELECTRICAL SCHEMATIC - FREEDOM Z



# LIMITED WARRANTY - FREEDOM Z

---

Any part of the Scag commercial mower manufactured by Scag Power Equipment and found, in the reasonable judgment of Scag, to be defective in materials or workmanship, will be repaired or replaced by an Authorized Scag Service Dealer without charge for parts and labor during the periods specified below. This warranty is limited to the original purchaser and is not transferable. Proof of purchase will be required by the dealer to substantiate any warranty claims. All warranty work must be performed by an Authorized Scag Service Dealer.

This warranty is limited to the following specified periods from the date of the original retail purchase for defects in materials or workmanship:

- \* Wear items including drive belts, blades, hydraulic hoses and tires are warranted for ninety (90) days.
- \* Batteries are covered for ninety (90) days.
- \* Frame and structural components including oil reservoir are warranted for 1 year for Commercial use, 3 years for homeowner use. (Parts and labor).
- \* Cutter decks are warranted against cracking for a period of 1 year for Commercial use, 3 years for homeowner use. (Parts and labor). The repair or replacement of the cutter deck will be at the option of Scag Power Equipment. We reserve the right to request components for evaluation. This warranty does not cover any mower that has been subject to misuse, neglect, negligence, or accident, or that has been operated in any way contrary to the operating instructions as specified in the Operator's Manual.
- \* Engines and electric starters are covered by the engine manufacturer's warranty period.
- \* Major drive system components are warranted for 1 year for Commercial use, 3 years for homeowner use by Scag Power Equipment. (Parts and labor) (Warranty exclude fittings, hoses, drive belts). The repair or replacement of the hydraulic axles will be at the option of Scag Power Equipment. This warranty does not cover any mower that has been subject to misuse, neglect, negligence, or accident, or that has been operated in any way contrary to the operating instructions as specified in the Operator's Manual.
- \* Electric clutches have a Limited Warranty for 1 year for Commercial use, 3 years for homeowner use. (Parts and labor).
- \* Spindle Assemblies have a Limited Warranty for 1 year for Commercial use, 3 years for homeowner use. (Parts and labor).
- \* Any Scag product used for rental purposes is covered by a 90 day warranty.

The Scag mower, including any defective part must be returned to an Authorized Scag Service Dealer within the warranty period. The expense of delivering the mower to the dealer for warranty work and the expense of returning it to the owner after repair will be paid for by the owner. Scag's responsibility is limited to making the required repairs and no claim of breach of warranty shall be cause for cancellation or rescission of the contract of sale of any Scag mower.

**This warranty does not cover any mower that has been subject to misuse, neglect, negligence, or accident, or that has been operated in any way contrary to the operating instructions as specified in the Operator's Manual.** The warranty does not apply to any damage to the mower that is the result of improper maintenance, or to any mower or parts that have not been assembled or installed as specified in the Operator's Manual and Assembly Manual. The warranty does not cover any mower that has been altered or modified, changing performance or durability. In addition, the warranty does not extend to repairs made necessary by normal wear, or by the use of parts or accessories which, in the reasonable judgment of Scag, are either incompatible with the Scag mower or adversely affect its operation, performance or durability.

**Scag Power Equipment reserves the right to change or improve the design of any mower without assuming any obligation to modify any mower previously manufactured.** All other implied warranties are limited in duration to the 1 year for Commercial use, 3 years for homeowner use or ninety (90) days for mowers used for rental purpose. Accordingly, any such implied warranties including merchantability, fitness for a particular purpose, or otherwise, are disclaimed in their entirety after the expiration of the appropriate two year or ninety day warranty period. Scag's obligation under this warranty is strictly and exclusively limited to the repair or replacement of defective parts and Scag does not assume or authorize anyone to assume for them any other obligation. Some states do not allow limitations on how long an implied warranty lasts, so the above limitation may not apply to you.

Scag assumes no responsibility for incidental, consequential or other damages including, but not limited to, expense for gasoline, expense of delivering the mower to an Authorized Scag Service Dealer and expense of returning it to the owner, mechanic's travel time, telephone or telegram charges, rental of a like product during the time warranty repairs are being performed, travel, loss or damage to personal property, loss of revenue, loss of use of the mower, loss of time or inconvenience. Some states do not allow the exclusion or limitation of incidental or consequential damages, so the above limitation or exclusion may not apply to you. This warranty gives you specific legal rights, and you may also have other rights which vary from state to state.



# GARANTÍA LIMITADA - FREEDOM Z

Toda pieza del cortacésped comercial Scag fabricada por Scag Power Equipment que, según criterio razonable de Scag, presente materiales o mano de obra defectuosos será reparada o reemplazada por un distribuidor autorizado Scag sin cargo por las piezas ni mano de obra durante los períodos especificados abajo. Esta garantía se limita al comprador original y no es transferible. Para acceder a cualquier reclamo de garantía, el distribuidor requerirá el comprobante de compra. Todo trabajo bajo garantía debe realizarlo un Distribuidor autorizado Scag.

Con respecto a materiales o mano de obra defectuosos, esta garantía se limita a los siguientes períodos especificados a partir de la fecha de compra original:

- \* Los artículos desgastables, incluyendo correas de transmisión, cuchillas, mangueras hidráulicas y llantas, están garantizados por noventa (90) días.
- \* Las baterías están garantizadas por noventa (90) días.
- \* El bastidor y los componentes estructurales, incluyendo el depósito de aceite, tienen una garantía de 1 año para uso comercial, 3 años para uso doméstico. (Piezas y mano de obra).
- \* Las plataformas de corte están garantizadas contra rajaduras por un período de 1 año para uso comercial, 3 años para uso doméstico. (Piezas y mano de obra). La reparación o el reemplazo de la plataforma de corte estarán sujetos a discreción de Scag Power Equipment. Nos reservamos el derecho de solicitar componentes para su evaluación. Esta garantía no cubre ningún cortacésped que haya sido sometido a uso indebido, descuido, negligencia o accidente, o que se haya operado de manera distinta a la especificada en el manual del operador.
- \* Los motores eléctricos y los arrancadores están cubiertos por el período de garantía del fabricante del motor.
- \* Los componentes principales del sistema de transmisión están garantizados por Scag Power Equipment por un período de 1 año para uso comercial y 3 años para uso doméstico. (Piezas y mano de obra) (La garantía no incluye conexiones, mangueras, ni correas de transmisión). La reparación o el reemplazo de los ejes hidráulicos estarán sujetos a discreción de Scag Power Equipment. Esta garantía no cubre ningún cortacésped que haya sido sometido a uso indebido, descuido, negligencia o accidente, o que se haya operado de manera distinta a la especificada en el manual del operador.
- \* Los embragues eléctricos tienen una Garantía limitada de 1 año para uso comercial, 3 años para uso doméstico. (Piezas y mano de obra).
- \* Los ensambles del eje tienen una Garantía limitada de 1 año para uso comercial, 3 años para uso doméstico. (Piezas y mano de obra).
- \* Cualquier producto Scag que se utilice para alquiler está cubierto por una garantía de 90 días.

El cortacésped Scag, incluida cualquier pieza defectuosa, debe ser llevado a un distribuidor autorizado de Scag dentro del período de garantía. Los gastos incurridos en la entrega del cortacésped al distribuidor para que se realice el trabajo bajo garantía, así como los gastos de devolución del cortacésped al propietario después de la reparación, estarán a cargo del propietario. La responsabilidad de Scag se limita a la realización de las reparaciones requeridas y ninguna reclamación por incumplimiento de las obligaciones de garantía será causa de cancelación o revocación del contrato de venta de cualquier cortacésped Scag.

**Esta garantía no cubre ningún cortacésped que haya sido sometido a uso indebido, descuido, negligencia o accidente, o que se haya operado de manera distinta a la especificada en el manual del operador.** La garantía no será de aplicación en ningún caso de daño ocasionado al cortacésped como consecuencia de mantenimiento inadecuado o a cualquier cortacésped o piezas que no se hayan ensamblado o instalado de acuerdo con las especificaciones del Manual del operador o el Manual de montaje. La garantía no cubre ningún cortacésped que haya sufrido alteraciones o modificaciones que hayan afectado su funcionamiento o durabilidad. Asimismo, la garantía no se extiende a reparaciones necesarias por el desgaste normal o por el uso de piezas o accesorios que, según criterio razonable de Scag, sean incompatibles con el cortacésped Scag o afecten la operación, funcionamiento o durabilidad de éste.

**Scag Power Equipment se reserva el derecho de modificar o mejorar el diseño de cualquier cortacésped sin tener por ello obligación alguna de modificar cualquier cortacésped fabricado con anterioridad.** Cualquier otra garantía implícita se limita a un período de 1 año para uso comercial, 3 años para uso doméstico o noventa (90) días en el caso de cortacéspedes destinados a alquiler. Por consiguiente, se rechaza en su totalidad cualquier garantía implícita, incluidas las garantías de comerciabilidad, adecuación para un fin determinado, o de otro tipo, después de la finalización del correspondiente período de garantía de dos años o noventa días. La obligación de Scag en virtud de la presente garantía se limita estricta y exclusivamente a la reparación o el reemplazo de piezas defectuosas, y Scag no asume ni autoriza a ningún otro a asumir en su lugar ninguna otra obligación. La limitación antes mencionada no será de aplicación en aquellos estados en los que no esté permitida la limitación del período de validez de una garantía implícita así que la limitación o exclusión ya mencionadas pueden no aplicarse a su caso.


Scag no asume responsabilidad alguna por daños incidentales, consecuentes ni de cualquier otro tipo, incluyendo, pero sin limitarse a, gasto de gasolina, gasto de entrega del cortacésped a un distribuidor autorizado Scag y gasto de su devolución al propietario, tiempo de viaje del mecánico, cargos por comunicaciones telefónicas o telegramas, alquiler de un producto similar durante el período en que se llevan a cabo las reparaciones bajo garantía, viajes, pérdida o daño de bienes personales, lucro cesante, daños ocasionados por la pérdida del uso del cortacésped, daños por la pérdida de tiempo o cualquier otro inconveniente. La limitación o exclusión antes mencionada no será de aplicación en aquellos estados en los que no esté permitida la exclusión o limitación de daños incidentales o consecuentes, así que la limitación o exclusión ya mencionadas pueden no aplicarse a su caso. La presente garantía le otorga derechos legales específicos, aparte de los derechos de los que usted goza, según el estado.

**7.9 LLANTAS**

Verifique las presiones de las llantas después de cada 8 horas de operación o diariamente.

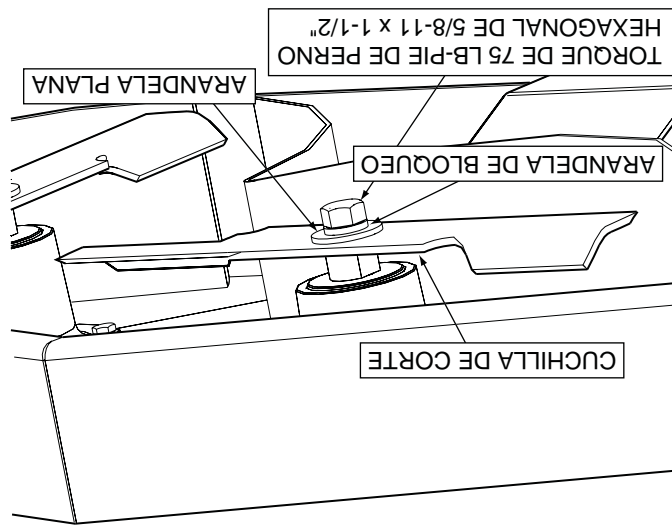
- Ruedas locas ..... 25 PSI
- Ruedas motrices ..... 8 PSI

**7.10 CUERPO, PLATAFORMA Y TAPICERÍA**

**PRECAUCIÓN:**  No lave ninguna parte del equipo mientras está caliente. No lave el motor; use aire comprimido.

1. Después que cada uso, lave el cortacésped y la plataforma de corte. Use agua fría y limpiadores automotrices. No use limpiadores a presión.
2. No rocíe los componentes eléctricos.
3. Use una solución suave de jabón o un limpiador de vinilo/caucho para limpiar el asiento.
4. Repare las superficies de metal dañadas con la pintura distribuidor autorizado Scag. Encere el cortacésped con una cera automotriz para una máxima protección de la pintura.

3. Asegure las cuchillas de corte para evitar que giren plana del eje. (Figura 7-9).
4. Para instalar la nueva cuchilla de corte, coloque la arandela de seguridad y la arandela plana en el perno de la cuchilla y deslice el perno en el agujero de la cuchilla.



**Figura 7-9 Reemplazo de la cuchilla**

**-NOTA-**

*Asegúrese que la cuchilla se instale con la aleta de izamiento hacia la parte superior de la plataforma de corte.*

5. Instale la cuchilla de corte en el eje de corte. Evite el giro de las cuchillas con un apriete de 75 lbs-pie. (Vea la Figura 7-9).

7.7 CORREAS DE TRANSMISIÓN

Todas las correas de transmisión están cargadas por resortes y son auto tensionantes, pero después de las primeras 2, 4, 8 y 10 horas de operación, debe verificarse su correcta alineación y revisar su desgaste. Después, verifique las correas después de cada 40 horas de operación o semanalmente, lo que ocurra primero.

**-NOTA-**

*Si experimenta un frecuente desgaste o rotura de correas, consulte con su distribuidor autorizado Scag para el ajuste de la correa.*

7.8 CUCHILLAS DE CORTE

A. Inspección de la cuchilla

1. Quite la llave de encendido antes de dar servicio a las cuchillas.
2. Levante la plataforma del cortacésped a la posición más alta. Coloque el pin en la posición más alta de altura de corte para evitar que caiga la plataforma.

**ADVERTENCIA:**

Siempre lleve la protección apropiada para manos y ojos al trabajar con cuchillas de corte.

3. Verifique que las cuchillas de corte estén rectas. Si las cuchillas de corte parecen estar dobladas, tendrán que ser reemplazadas.

**ADVERTENCIA:**

No trate de enderezar una cuchilla doblada, y nunca suelde una cuchilla rota o rajada. Siempre reemplácela con una cuchilla nueva para garantizar seguridad.

4. Si el borde de corte de una cuchilla está desafilado o tiene muescas, debe afilarse. Quite las cuchillas para afilarlas. Vea "Reemplazo de la cuchilla".

**-NOTA-**

*Mantenga afiladas las cuchillas. Cortar con cuchillas desafiladas no sólo produce un mal corte de césped, sino que disminuye la velocidad de corte del cortacésped y causa un desgaste adicional del motor y del eje de la cuchilla.*

B. Afilado de las cuchillas

**-NOTA-**

*Si es posible, use una lima para afilar la cuchilla. Si usa una esmeriladora, puede quemar la cuchilla.*

**-NOTA-**

*NO afile las cuchillas más de 1/3 del ancho de la cuchilla.*

1. Afile el borde de corte en el mismo bisel que el original (Vea la Figura 7-8). Sólo afile la parte superior del borde de corte para mantener el filo.

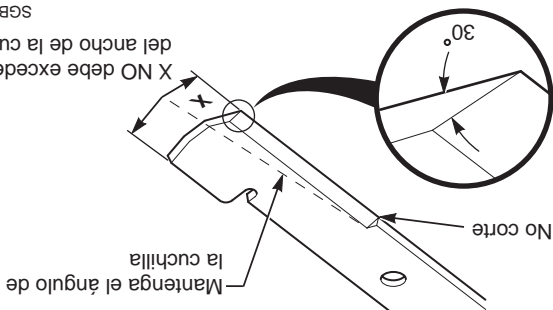


Figura 7-8 Afilado de las cuchillas

C. Reemplazo de la cuchilla

**ADVERTENCIA:**

Siempre lleve la protección apropiada para manos y ojos al trabajar con cuchillas de corte.

1. Quite la llave de encendido antes de reemplazar las cuchillas.

2. Levante la plataforma del cortacésped a la posición más alta. Coloque el pin que indica la altura de corte en la posición más alta para evitar que caiga la plataforma.

**ADVERTENCIA:** 

Los postes de la batería, los terminales y los accesorios relacionados contienen plomo y compuestos de plomo; el Estado de California identifica a estas sustancias químicas como causantes de cáncer y daño a los órganos reproductivos. Lávese las manos después de manipular baterías.

**ADVERTENCIA:** 

Las baterías plomo-ácido producen gases inflamables y explosivos. Para evitar lesiones personales al revisar, probar o cargar baterías, **NO** use materiales que produzcan humo cerca de las baterías. Mantenga los arcos, las chispas y las llamas lejos de las baterías. Proporcione ventilación apropiada y use gafas de seguridad.

**ADVERTENCIA:** 

El líquido de la batería contiene ácido sulfúrico que es **TOXICO** y puede causar **GRAVES QUEMADURAS QUÍMICAS**. Evite el contacto del líquido con los ojos, la piel, o con la ropa. Use equipo de protección apropiado cuando manipule baterías. **NO** incline ninguna batería más de 45° en ninguna dirección. Si ocurre contacto con el líquido, siga primero las sugerencias de primeros auxilios.

**PRIMEROS AUXILIOS PARA ELECTROLITO DE BATERÍA**

**CONTACTO EXTERNO — Enjuague con agua.**

**OJOS — Enjuague con agua al menos durante 15 minutos y obtenga atención médica inmediatamente.**

**INTERNO — Beba grandes cantidades de agua. Continúe con leche de magnesia, huelos batidos, o aceite vegetal. Obtenga atención médica inmediatamente. En caso de contacto interno, NO proporcione líquidos que induzcan al vómito.**

**A. Carga de la batería**

Consulte el manual del cargador de batería para instrucciones específicas.

Bajo condiciones normales el alternador del motor no tendrá problemas para mantener la carga de la batería. Si la batería se ha descargado completamente por un periodo largo de tiempo, el alternador puede no ser capaz de recargar la batería, y se necesitará un cargador de baterías.

**NO** cargue una batería congelada. Puede estallar y causar lesiones. Permita que la batería se entibie antes de conectar un cargador.

Siempre que sea posible, quite la batería del cortacésped antes de cargarla y asegúrese de que el electrolito cubre las placas en todas las celdas.

**ADVERTENCIA:** 

**LAS BATERÍAS PRODUCEN GASES EXPLOSIVOS.** Cargue la batería en un espacio bien ventilado de modo que se puede disipar los gases producidos durante la carga.

Las tasas de carga entre 3 y 50 amperios son satisfactorias si no provocan excesivos gases, si no arrojan demasiado electrolito o si la batería no está muy caliente (encima de 125°F). Si se produce derrame de electrolito o excesiva producción de gas, o si la temperatura excede 52°C (125°F), la tasa de carga debe reducirse o detenerse temporalmente para permitir el enfriamiento.

**B. Arranque por puente**

1. La batería auxiliar de arranque debe ser de 12 voltios. Si se usa un vehículo para el arranque por puente, debe tener un sistema de tierra negativo.

2. Cuando conecte los cables del puente, conecte el cable positivo al poste positivo de la batería, y luego el cable negativo al poste negativo de la batería.

### 7.4 SISTEMA DE COMBUSTIBLE DEL MOTOR

Para evitar quemaduras, permita que el cortacésped se enfríe antes de quitar la tapa del tanque de combustible y rellenar.



#### A. Llenado del tanque de combustible

Llene el tanque de combustible al inicio de cada día de operación hasta 1 pulgada debajo del cuello del rellenador. No llene demasiado. Use gasolina limpia, libre de plomo con un octanaje mínimo de 87 y un máximo de 10% de Etanol.

Para evitar lesiones personales o daños a la propiedad, tenga mucho cuidado al manipular gasolina. La gasolina es extremadamente inflamable y los vapores son explosivos.

1. Apague todos los cigarrillos, puros, pipas y otras fuentes de ignición.

2. Use solamente un recipiente aprobado para gasolina.

3. Nunca retire la tapa de la gasolina ni agregue combustible con el motor en funcionamiento. Permita que el motor se enfríe antes de abastecerlo de combustible.

4. Nunca abastezca de combustible al cortacésped bajo techo ni en un remolque cerrado.

5. Nunca almacene el cortacésped o el recipiente de combustible donde haya una llama abierta, chispa o luz piloto, como de un calentador de agua u otros aparatos.

6. Nunca llene recipientes dentro de un vehículo ni en un camión o remolque que tenga forro de material plástico. Siempre coloque los recipientes en el terreno lejos de su vehículo antes de abastecerlos de combustible.

### 7.5 FILTRO DE AIRE DEL MOTOR

#### A. Limpieza y/o reemplazo del elemento del filtro de aire

Para cualquier filtro de aire, el ambiente de operación determina los períodos de servicio del filtro de aire. Inspeccione y limpie el filtro de aire después de cada 100 horas de operación o cada dos semanas, lo que ocurra primero, y reemplace el elemento si es necesario.

**-NOTA-**  
En condiciones de mucho polvo, puede ser necesario verificar el elemento una o dos veces al día para prevenir daños al motor.

1. Afloje los dos pernos que aseguran la cubierta del filtro de aire al conjunto del filtro de aire y retire la cubierta. Déjela a un costado.
2. Quite el filtro de aire e inspecciónelo.
3. Limpie o reemplace el filtro de aire y el pre-filtro de espuma como recomienda el fabricante del motor.



### 7.3 ACEITE DEL MOTOR

#### A. Verificación del nivel de aceite del cárter

El nivel del aceite del motor se debe verificar después de cada 8 horas de operación o diariamente como se indica en el manual del operador del motor proporcionado con este cortacésped.

#### B. Cambio de aceite del cárter

Después de las 20 primeras horas de operación, cambie el aceite del cárter y reemplace el filtro de aceite. Después, cambie el aceite después de cada 100 horas de operación o cada dos semanas, lo que ocurra primero. Consulte el manual del operador del motor proporcionado con este cortacésped para instrucciones.

#### C. Cambio de filtro de aceite del motor

Después de las primeras 20 horas de operación, reemplace el filtro de aceite del motor. Después, reemplace el filtro de aceite cada 200 horas de operación o cada mes, lo que ocurra primero. Consulte el manual del operador del motor para instrucciones.

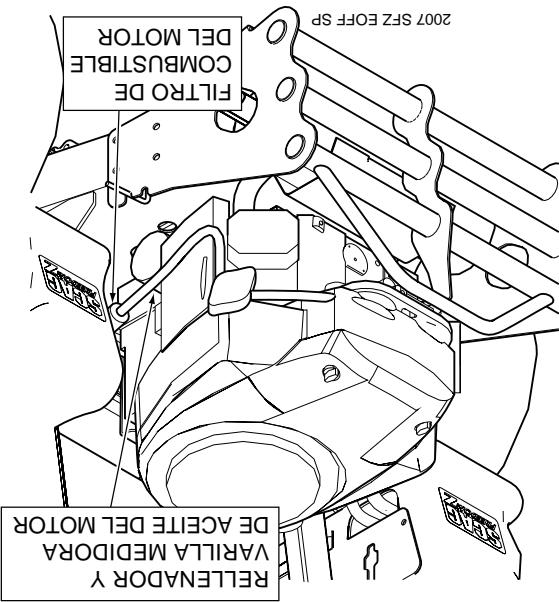
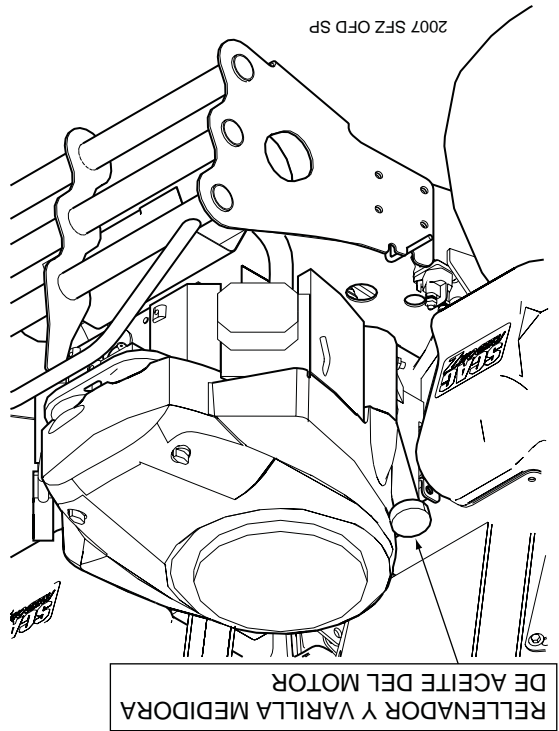


Figura 7-6 Rellenador/varilla de aceite, filtro de aceite, filtro de combustible



10. Se tendrá que purgar el sistema hidráulico. Levante la parte posterior de la máquina de modo que las ruedas motrices estén alejadas del terreno. Use soportes de gato y bloquee las ruedas para evitar que la máquina se mueva.

11. Mueva las palancas de control de la válvula de descarga a la posición "rodar libremente". (Vea la Figura 7-5).

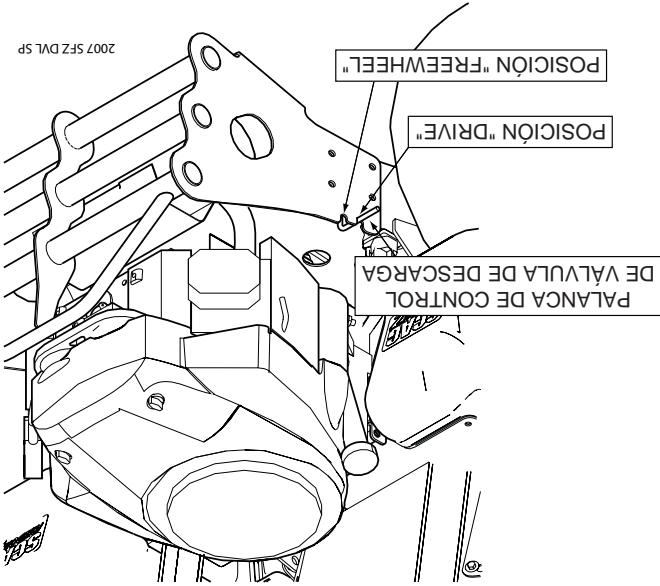


Figura 7-5 Palanca de control de la válvula de descarga

12. Al encontrarse en la posición de operador, arranque el motor y libere el freno de estacionamiento.

13. Opere el motor a 1/2 de aceleración y mueva las palancas de control de dirección hacia adelante y hacia atrás de 5 a 6 veces.

14. Accione el freno de estacionamiento. Mueva las palancas de control de la válvula de descarga a la posición DRIVE. (Vea la Figura 7-5).

15. Al encontrarse en la posición de operador, opere el motor a 1/2 de aceleración. Libere el freno de estacionamiento, mueva las palancas de control de dirección hacia adelante y hacia atrás de 5 a 6 veces. Puede ser necesario repetir los pasos del 12 al 15 hasta que el aire se purgue completamente del sistema.

16. Verifique el nivel de aceite del sistema hidráulico según lo indicado en la sección 7.2.

5. Una vez que el sistema hidráulico haya drenado, instale manualmente los nuevos filtros de aceite para ambos ejes, gire de 3/4 a una vuelta completa después de que la junta del filtro haga contacto con la base del filtro.

6. Reinstale las guardas del filtro y apriete los tornillos con un torque de 65 pulg/lb.

7. Retire el tapón del orificio superior de ambos ejes antes de llenar el aceite. (Vea la Figura 7-4).

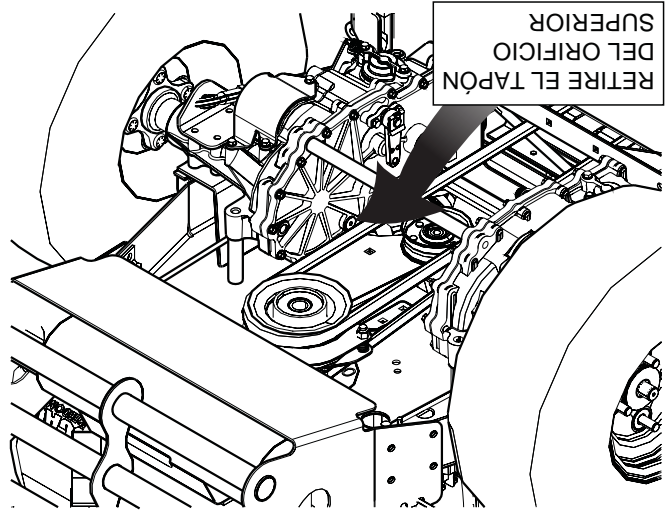


Figura 7-4 Ubicación del tapón del orificio superior

8. Llene el depósito de aceite del sistema hidráulico con aceite para motor SAE 20W50 justo hasta que aparezca en la parte inferior de cada uno de los orificios superiores de los ejes. Aproximadamente 5 cuartos de capacidad. Vuelva a instalar los tapones del orificio superior y apriete con un torque de 180 pulg/lb.

**-NOTA-**

El eje del lado izquierdo se llenará primero con aproximadamente 4 cuartos de aceite. Vuelva a instalar el tapón del orificio superior del eje izquierdo y continúe el llenado del sistema hidráulico a través del depósito. El eje del lado derecho debe llenarse hasta la parte inferior del tapón del orificio superior después de agregar un cuarto de aceite adicional. Vuelva a instalar el tapón del orificio superior en el eje derecho y llene el depósito de aceite hidráulico hasta el nivel adecuado según se explicó en la sección 7.2.

9. Reinstale la tapa del depósito de aceite hidráulico.

### 7.2 SISTEMA HIDRÁULICO

#### A. Verificar el nivel de aceite del sistema hidráulico

El nivel de aceite del sistema hidráulico se debe verificar después de las primeras 10 horas de operación. Después, verifique el aceite después de cada 200 horas de operación de la máquina o mensualmente, lo que ocurra primero.

#### **-IMPORTANTE-**

*Si el nivel de aceite se encuentra bajo de manera constante, revise si existen pérdidas y corríjalas inmediatamente.*

1. Limpie la suciedad y las sustancias contaminantes de alrededor del depósito.

2. Cuando la máquina esté "fría" (antes de la operación), verifique visualmente el nivel de aceite del sistema hidráulico. El nivel de aceite del sistema debe estar en el medio de la ventana indicadora ubicada al lado izquierdo de la máquina (Vea la Figura 7-2). Si el fluido está bajo, agregue aceite para motor 20W50 hasta alcanzar el nivel apropiado. **NO** llene demasiado; (llenar demasiado el depósito de aceite puede causar pérdidas de aceite).

3. Limpie la tapa de relleno y tape el depósito.

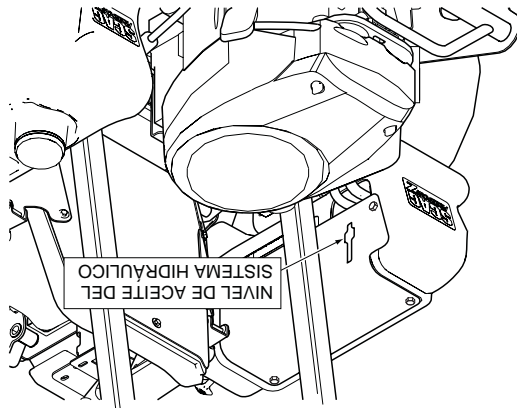


Figura 7-2 Nivel de aceite del sistema hidráulico

#### B. Cambio de aceite hidráulico

El aceite del sistema hidráulico se debe cambiar después de las primeras 120 horas de operación de la máquina, y después, cada 400 horas o anualmente, lo que ocurra primero. El aceite también se debe cambiar si se ha vuelto de color negro o lechoso. Un color negro y/o un olor rancio indican generalmente un posible recalentamiento del aceite, y un color lechoso indica habitualmente la presencia de agua.

#### **-IMPORTANTE-**

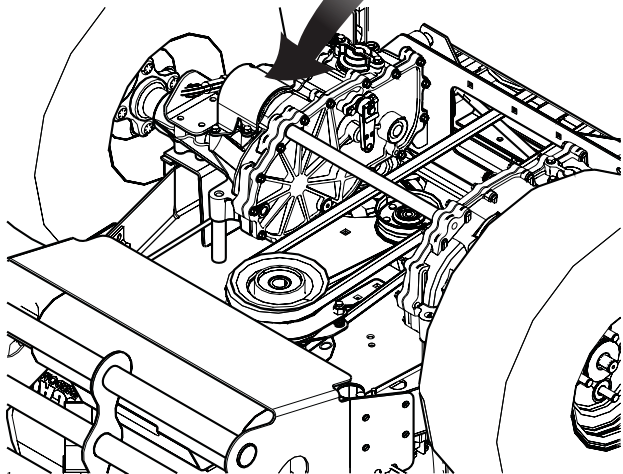
*El aceite del sistema hidráulico se debe cambiar si se nota la presencia de agua o se percibe un olor rancio.*

1. Estacione el cortacésped en una superficie plana y detenga el motor.

2. Retire los tres tornillos de 1/4" de la guarda del filtro y la guarda del filtro de ambos ejes. (Vea la Figura 7-3). Limpie cualquier desecho suelto alrededor del perimetro del filtro.

3. Coloque un recipiente adecuado debajo de los filtros de aceite hidráulico. Retire la cubierta del tanque del lado izquierdo para tener acceso al depósito hidráulico. Quite la tapa del depósito de aceite hidráulico.

4. Retire los filtros hidráulicos de ambos ejes y permita que el fluido drene en el contenedor. Deseche adecuadamente el aceite cuando el sistema haya drenado completamente. (Vea la Figura 7-3)



QUITE LOS TORNILLOS Y LA GUARDA DEL FILTRO DE ACEITE

QUITE EL FILTRO DE ACEITE

Tapón de drenaje

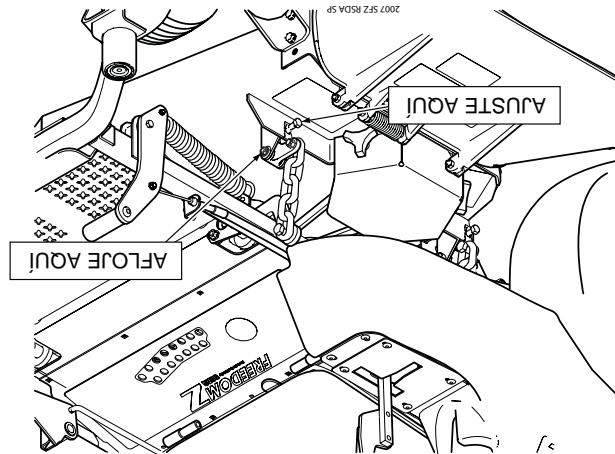
Figura 7-3 Filtro de aceite hidráulico y Tapón de drenaje

## MANTENIMIENTO

7.1 TABLA DE MANTENIMIENTO - INTERVALOS DE SERVICIO RECOMENDADOS

Observaciones	Procedimiento	HORAS						
		8	20	40	100	200	500	500
	Verifique que toda la tornillería esté bien ajustada	X						
	Verifique el nivel del aceite hidráulico	X						
	Verifique la correcta alineación de todas las correas	X						
	Verifique que no haya fugas en las mangueras hidráulicas	X						
	Revise si el cinturón de seguridad presenta deterioro		X					
	Verifique el nivel de aceite del motor		X					
	*Limpie el cortacésped		X					
	Verifique el estado de las cuchillas		X					
	Revise la presión de las llantas		X					
	Cambie el aceite del motor y el filtro			X				
	Verifique la batería, limpie los bornes y los cables de la misma			X				
	Verifique la correcta alineación de las correas				X			
	Revise el Sistema de presencia del operador				X			
	Cambie el aceite del motor			X				
	Drene el sistema hidráulico, reemplace el aceite hidráulico y los filtros			X				
	Use aceite para motor SAE 20W50							
	*Limpie el elemento del filtro de aire				X			
	Verifique que la tornillería esté bien ajustada				X			
	Cambie el aceite del motor y el filtro			X				
	Verifique el nivel del aceite hidráulico			X				
	Reemplace el filtro de combustible del motor			X				
	Drene el sistema hidráulico, reemplace el aceite hidráulico y los filtros			X				
	Use aceite para motor SAE 20W50							
	Ajuste el embrague eléctrico PTO	X						
Consulte con el distribuidor Scag								

\* Realice con más frecuencia estos procedimientos de mantenimiento bajo condiciones extremas de polvo o suciedad.



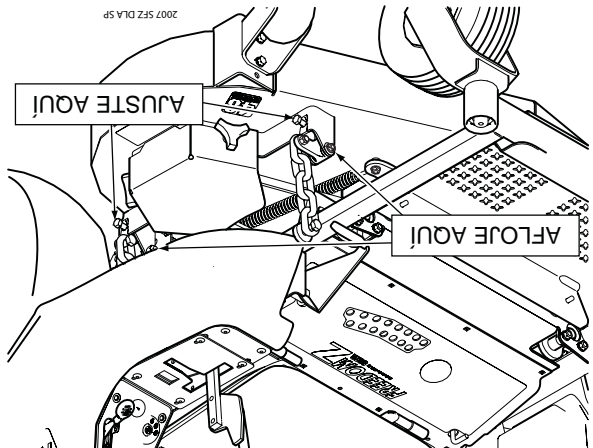
**Figura 6-6. Ajuste de la inclinación de la plataforma de corte**

Para evitar la oscilación de la plataforma de corte, las cuatro cadenas suspendidas de la plataforma de corte deben estar tensionadas. Si las cuatro cadenas no están bajo tensión y la plataforma oscila, debe reajustar la plataforma de corte como se explicó en los procedimientos mencionados anteriormente. Las medidas deben tomarse desde el borde superior de la plataforma, ya que la plataforma tiene un borde inferior disparado.

**Altura de la plataforma de corte**

El ajuste de la altura de la plataforma de corte se realiza para asegurar que la misma corte en la altura señalada en el indicador. Para verificar la altura apropiada de la plataforma, asegúrese que el cortacésped esté en una superficie plana y a nivel y que las llantas estén infladas apropiadamente.

1. Coloque la plataforma de corte en la posición de corte de 3". Empuje el pedal de la plataforma de corte y tire hacia arriba la palanca de liberación de la plataforma del corte para bajar la plataforma de control de altura de la plataforma.
2. Verifique la medida desde el suelo hasta la punta de la cuchilla de corte. Si la medida no se encuentra en 3", puede realizarse un ajuste utilizando la varilla de
3. Afloje las tuercas elásticas de tope que aseguran los puntos de fijación del nivel de la plataforma en ambos lados de la plataforma de corte. (Vea la Figura 6-7).



**Figura 6-7. Ajuste de altura de la plataforma de corte**

4. Gire los pernos de ajuste igual cantidad de vueltas, ya sea en el sentido de las agujas del reloj para levantar o contra el sentido de las agujas del reloj para bajar la plataforma de corte hasta que la cuchilla esté a 3" en ambos lados.
4. Apriete las tuercas elásticas de tope en los puntos de fijación del nivel de la plataforma.

*Si se tuvo que realizar un ajuste, asegúrese que la plataforma de corte se pueda bloquear fácilmente en la posición de transporte.*

**-NOTA-**



## 6.6 AJUSTES DE LA PLATAFORMA DE CORTE

El nivel de la plataforma de corte, la inclinación y la altura se ajustan en fábrica. Sin embargo, si deben realizarse estos ajustes alguna vez, los siguientes procedimientos lo ayudarán a obtener el ajuste apropiado de la plataforma de corte.

### -NOTA-

*Antes de proceder con los ajustes de la plataforma de corte, asegúrese de que todas las llantas estén infladas apropiadamente.*

### Nivel de la plataforma de corte

La plataforma de corte debe ser plana de lado a lado para un desempeño apropiado de corte. Para verificar el nivel, asegúrese que el cortacésped esté en una superficie plana y nivelada, las llantas estén infladas apropiadamente y la plataforma de corte esté fijada en la altura de corte más común que usará. En el lado derecho de la máquina, verifique la distancia desde la parte superior de la plataforma de corte hasta el piso. Luego revise la distancia desde la parte superior de la plataforma de corte hasta el piso en el lado izquierdo de la máquina. Ambas medidas deben ser iguales. Si las dos medidas son diferentes, el nivel de la plataforma de corte se debe ajustar como sigue:

1. Si la plataforma de corte está más baja en un lado, afloje las tuercas elásticas de tope que aseguran los puntos de fijación del nivel de la plataforma en la parte frontal y posterior del lado más bajo. (Vea la Figura 6-4).

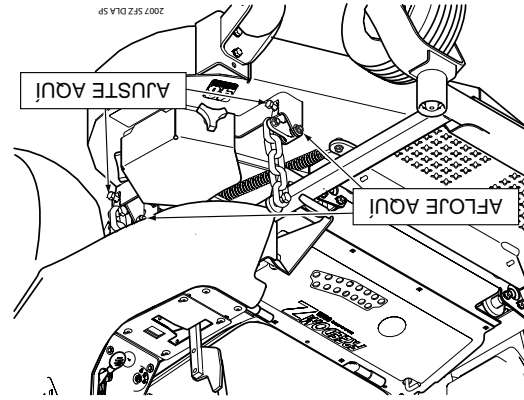


Figura 6-4. Ajuste del nivel de la plataforma de corte

2. Gire los pernos de ajuste en la parte frontal y posterior del punto de fijación del nivel de la plataforma en el sentido de las agujas del reloj hasta que la plataforma de corte esté nivelada en ambos lados. (Vea la Figura 6-4)

### Inclinación de la plataforma de corte

3. Apriete las dos tuercas elásticas de tope para asegurar la plataforma de corte en la posición apropiada.

La inclinación de la plataforma de corte debe ser igual entre la parte frontal y posterior de la misma para un desempeño de corte apropiado. Para verificar la inclinación apropiada de la plataforma, asegúrese que el cortacésped esté en una superficie plana y a nivel y que las llantas estén infladas apropiadamente. Verifique la distancia desde la parte superior de la plataforma de corte hasta el piso en el lado posterior del lado derecho de la plataforma de corte directamente detrás de las cadenas suspendidas de la plataforma de corte. Luego verifique la distancia desde la parte superior de la plataforma de corte hasta el piso en el lado izquierdo de la máquina. Si la medida en la parte frontal de la plataforma de corte no es la misma, la inclinación de la plataforma debe ajustarse de la manera siguiente:

1. Afloje las tuercas elásticas de tope que aseguran los puntos de fijación del nivel de la plataforma en ambos lados de la parte frontal de la plataforma de corte (Vea la Figura 6-5, Figura 6-6).

2. Gire los pernos de ajuste en ambos lados, ya sea en el sentido de las agujas del reloj para bajar la parte frontal de la plataforma de corte hasta que las medidas sean iguales. Apriete las tuercas elásticas de tope.

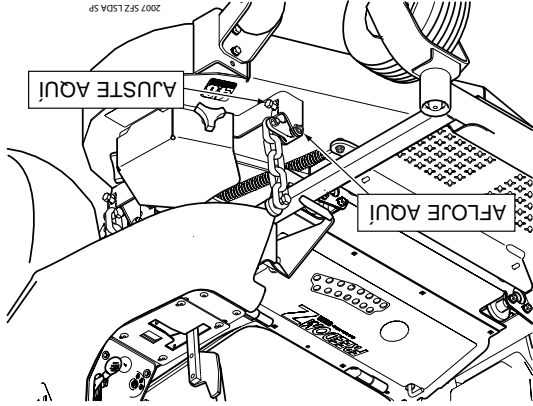



Figura 6-5. Ajuste de la inclinación de la plataforma de corte

### Ajuste de alineación

**PRECAUCIÓN:**  Detenga el motor y quite la llave del encendido antes de realizar cualquier ajuste. Espere que todas las partes móviles se detengan antes de comenzar a trabajar.

**PRECAUCIÓN:**  El motor y la unidad motriz pueden calentarse durante la operación, causando heridas por quemaduras. Permita que el motor y los componentes de transmisión se enfríen antes de realizar cualquier ajuste.

**-NOTA-**

Antes de proceder con este ajuste, asegúrese que las ruedas locas giren libremente y que la presión de las llantas en las ruedas motrices es correcta. Si la presión de la llanta no es correcta, la máquina tirará al lado con la presión más baja.

1. Si a máxima velocidad el cortacésped se tira a la derecha, es una indicación de que la rueda izquierda gira más rápido que la derecha. Para ajustar esta condición, proceda de la manera siguiente:

A. Detenga la máquina y coloque las palancas de control de dirección en la posición neutral. Gire hacia adentro el perno de ajuste de alineación de la bomba del lado izquierdo (en el sentido de las agujas del reloj). Esto causará que la varilla de control golpee menos la bomba del lado izquierdo, disminuyendo la velocidad de la rueda de dicho lado. (Vea la Figura 6-3, página 23).

2. Si a máxima velocidad el cortacésped se tira a la izquierda, es una indicación de que la rueda derecha gira más rápido que la izquierda. Para ajustar esta condición, proceda de la manera siguiente:

A. Detenga la máquina y coloque las palancas de control de dirección en la posición neutral. Gire hacia adentro el perno de ajuste de alineación de la bomba del lado derecho (en el sentido de las agujas del reloj). Esto causará que la varilla de control golpee menos la bomba del lado derecho, disminuyendo la velocidad de la rueda del lado derecho. (Vea la Figura 6-3).

**-NOTA-**  
 Si después de realizar los ajustes tal como se explicaron, no se corrige el alineamiento o el *Power Equipment* autorizado.

### 6.3 AJUSTES DE LOS CONTROLES DE ACCELERACIÓN Y ESTRANGULACIÓN

Estos ajustes deben ser realizados por su distribuidor Scag para asegurar la operación apropiada y eficiente del motor. Si requiere cualquier ajuste, contacte con su centro de servicio autorizado Scag.

### 6.4 AJUSTE DE LA CORREA

**ADVERTENCIA:**  Antes de quitar cualquier guarda, apague el motor y retire la llave de encendido.

Todas las correas de transmisión y las correas de la plataforma de corte están cargadas por resortes y son auto tensionantes. Deben revisarse periódicamente la correcta alineación y el desgaste de las correas.

### 6.5 ALINEACIÓN DE LA CORREA

La alineación de la correa es importante para el desempeño apropiado de su cortacésped Scag. Si experimenta un frecuente desgaste o rotura de correas, consulte con su centro de servicio autorizado Scag.

### 6.2 AJUSTES DE DESPLAZAMIENTO

Se tendrán que realizar ajustes neutrales o de alineación si:

- A. Las palancas de control de dirección están en la posición neutral y la máquina se arrastra hacia adelante o hacia atrás. (Vea Ajuste neutral).

- B. Las palancas del control de dirección están en la posición completamente hacia adelante y el cortacésped se tira a un lado o al otro al desplazarse hacia adelante. (Ajuste de alineación, Vea página 24).

#### Ajuste neutral

1. Asegúrese de que las palancas de la válvula de descarga estén en la posición de operación y que las palancas de control de dirección estén en la posición neutral de bloqueo.

2. Con un operador en el asiento, arranque el motor y libere el freno de estacionamiento.

MUEVA LA PALANCA DE DIRECCIÓN HACIA AFUERA HASTA LA POSICIÓN NEUTRAL

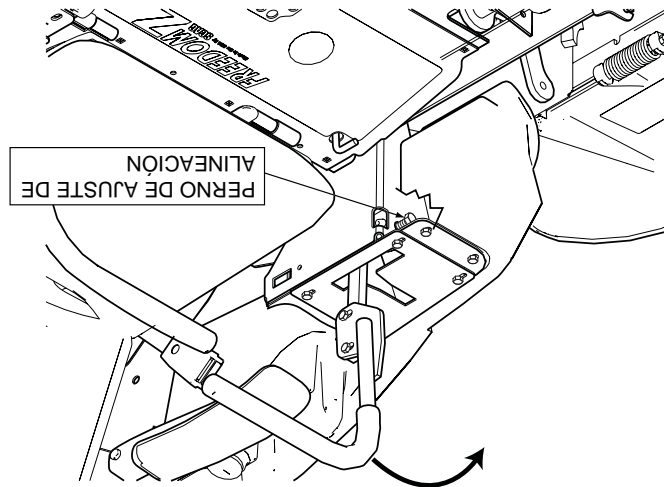
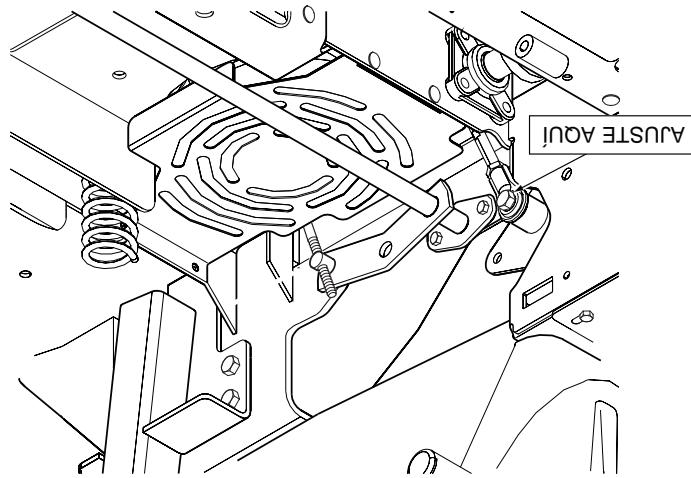


Figura 6-3. Ajuste de control de dirección



3. Opere el motor a la máxima velocidad de operación y compruebe si la máquina se arrastra hacia adelante o hacia atrás.

4. Inclíne el asiento hacia adelante y ajuste la rueda del lado derecho aflojando el perno de montaje del mecanismo de control superior. (Vea la Figura 6-3). Permita que la transmisión posicione el mecanismo de control.

5. Apriete el perno de montaje del mecanismo de control superior y repita para la rueda del lado izquierdo.

6. Accione las palancas de control de dirección hacia adelante y en reversa y regrese a la posición neutral.

7. Compruebe que las ruedas motrices permanezcan en neutral y ajuste de nuevo si es necesario.



### 6.1 AJUSTE DEL FRENO DE ESTACIONAMIENTO

#### ADVERTENCIA:

NO opere el cortacésped si el freno de estacionamiento no está en correcto estado de funcionamiento. Podrían causarse lesiones graves.

El acople del freno de estacionamiento debe ajustarse cuando la palanca del freno de estacionamiento se coloca en la posición "ENGAGE"; el freno de estacionamiento no evitará que el cortacésped se mueva. Si los procedimientos siguientes no permiten accionar el freno de estacionamiento apropiadamente, contacte con su distribuidor Scag para cualquier ajuste adicional de freno.

1. Estacione el cortacésped en una superficie plana y bloquee las ruedas locas para evitar que la máquina se mueva. Quite la llave de encendido.
2. Desconecte el freno de estacionamiento. (Vea la Figura 6-1).
3. Libere el seguro de sujeción del asiento e incline el asiento hacia adelante para tener acceso al mecanismo de control de freno.
4. Retire el pasador de chaveta que asegura el pivote al mecanismo de control de freno. (Vea la Figura 6-2).
5. Presione hacia abajo la varilla de control de freno para desconectar el freno de estacionamiento y ajuste el pivote hasta que este coincida con el agujero de montaje. Inserte el pivote en el mecanismo de control de freno y asegúrelo con el pasador de chaveta.
5. Repita los pasos 4-5 en el lado izquierdo de la máquina.
6. Pruebe el freno.

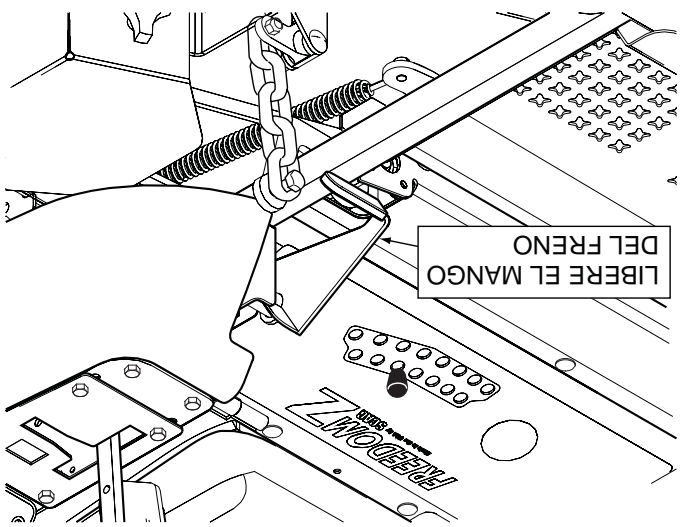


Figura 6-1. Ajuste de freno

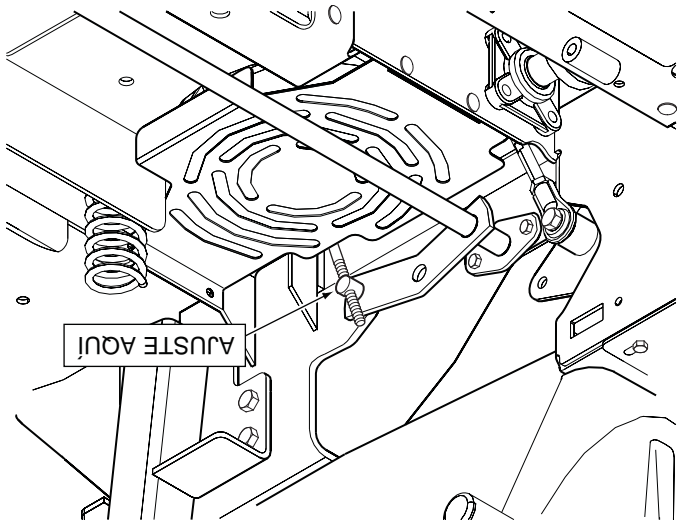


Figura 6-2. Ajuste de la varilla de freno

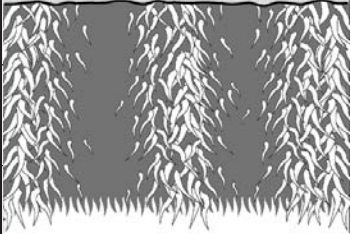

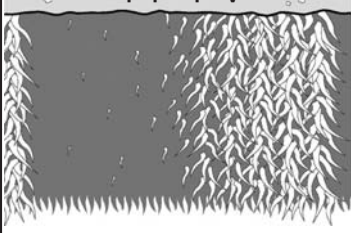
-NOTA-

Si este procedimiento no logra el ajuste apropiado del freno, contacte con su distribuidor autorizado de Scag.

**SOLUCIÓN DE FALLAS (CONTINUACIÓN)**

CONDICIÓN	CAUSA	SOLUCIÓN
<p>Raspadoras - Las cuchillas pegan en la tierra o están cortando muy cerca al terreno</p>	<p>Baja presión de las llantas</p> <p>Velocidad demasiado alta</p>	<p>Verifique y ajuste las presiones</p> <p>Disminuya la velocidad para ajustarse a las condiciones del terreno</p>
<p>Corte demasiado bajo</p>	<p>Corte demasiado bajo</p>	<p>Se puede tener que reducir la velocidad en el terreno, aumentar la altura de la plataforma de corte, cambiar la dirección del corte y/o cambiar la inclinación y el nivel</p>
<p>Terreno rugoso</p>	<p>Terreno rugoso</p> <p>Velocidad demasiado alta</p>	<p>Se puede tener que reducir la velocidad en el terreno, aumentar la altura de la plataforma de corte y/o cambiar la dirección del corte de corte y/o cambiar la dirección del corte</p> <p>Disminuya la velocidad para ajustarse a las condiciones del terreno</p> <p>Corte el césped una vez que se seque</p>
<p>Corte lateral - Cresta en el centro de la trayectoria de corte</p>	<p>Cuchillas mal montadas, disparrajas</p> <p>Cuchilla doblada</p>	<p>Ajuste la inclinación y el nivel</p> <p>Reemplace la cuchilla</p>
<p>Corte inclinado - Crestas inclinadas a través del ancho de la trayectoria de corte</p>	<p>Falla del eje interno</p> <p>Montaje incorrecto del eje</p>	<p>Consulte con su distribuidor Scag autorizado</p> <p>Consulte con su distribuidor Scag autorizado</p>
<p>Corte inclinado - Crestas inclinadas a través del ancho de la trayectoria de corte</p>	<p>Area de montaje del eje doblada</p> <p>Falla del eje interno</p> <p>Alojamiento de la plataforma doblado</p>	<p>Consulte con su distribuidor Scag autorizado</p> <p>Consulte con su distribuidor Scag autorizado</p> <p>Consulte con su distribuidor Scag autorizado</p>

SOLUCIÓN DE FALLAS (CONTINUACIÓN)

CONDICIÓN	CAUSA	SOLUCIÓN
<p>Corte disparajeo en terreno plano - Apariencia baja y alta ondulada, corte volado, o perfil irregular</p> 	<p>Levantador de la cuchilla desgastado</p> <p>Cuchilla montada invertida</p> <p>Césped acumulado debajo de la plataforma de corte</p> <p>Demasiado ángulo en la cuchilla (inclinación de la plataforma de corte)</p> <p>Plataforma de corte montada incorrectamente</p> <p>Área del eje doblada</p> <p>Cuchilla desafiada</p>	<p>Reemplace la cuchilla</p> <p>Monte la cuchilla con el filo hacia el terreno</p> <p>Limpie la parte de abajo de la plataforma</p> <p>Ajuste la inclinación y el nivel</p> <p>Consulte con su distribuidor Scag autorizado</p> <p>Consulte con su distribuidor Scag autorizado</p> <p>Áfíle la cuchilla</p>
<p>Corte disparajeo en terreno disparajeo - Apariencia baja y alta ondulada, corte volado o perfil irregular</p> 	<p>Terreno disparajeo</p>	<p>Se puede tener que reducir la velocidad en el terreno, aumentar la altura de la plataforma de corte y/o cambiar la dirección del corte</p>
<p>Salientes inclinadas a lo ancho de la trayectoria de corte</p> 	<p>Llantas con presión desequilibrada</p> <p>Ruedas disparajas</p> <p>Plataforma de corte montada incorrectamente</p> <p>Plataforma no nivelada lado a lado</p>	<p>Revise y ajuste la presión de las llantas</p> <p>Revise y ajuste la presión de las llantas</p> <p>Consulte con su distribuidor Scag autorizado</p> <p>Verifique el nivel y corrija</p>

CONDICIÓN	CAUSA	SOLUCIÓN
<p><b>Largeros - Corte irregular de césped</b></p>	<p>Bajas revoluciones (RPM) del motor Velocidad demasiado alta</p>	<p>Corte el césped una vez que se seque Disminuya la velocidad para ajustarse a las condiciones del terreno</p>
<p><b>Vetas - Franjas de césped sin cortar en la trayectoria de corte</b></p>	<p>Cuchillas desafiladas, afilado incorrecto Afilado incorrecto de las cuchillas</p>	<p>Corte el césped una vez que se seque Afile las cuchillas</p>
<p><b>Vetas - Franjas de césped sin cortar entre trayectorias de corte</b></p>	<p>Traslape insuficiente entre pasadas</p>	<p>Aumente el traslape de cada pase</p>

**IDENTIFICACIÓN DE FALLAS EN LAS CONDICIONES DE CORTE**

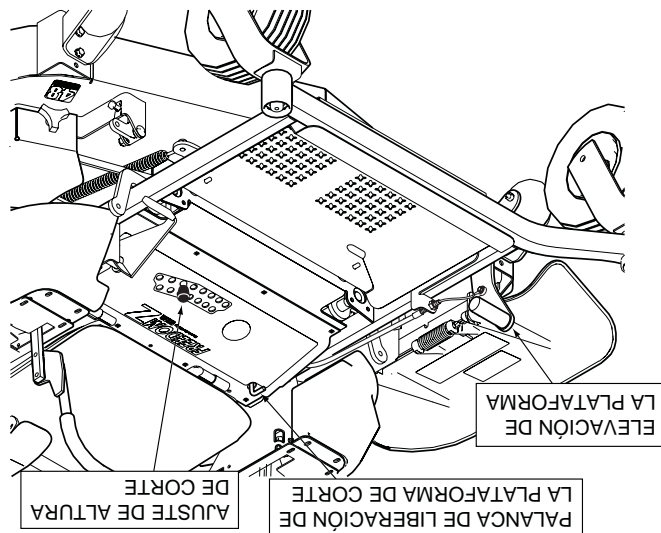


Figura 4-4 Ajuste de altura de la plataforma de corte

#### 4.14 REMOLQUE (accesorio de enganche opcional)

1. **Nunca** permita niños ni otras personas en el equipo remolcado.
2. Remolque sólo con una máquina que tenga un accesorio de enganche diseñado para remolcar. Sólo conecte el equipo remolcado en el punto de enganche.
3. Siga las recomendaciones del fabricante para el límite de peso para el equipo remolcado. Máximo peso remolcado 250 lbs (113 Kg).
4. **Nunca remolque en cuestas.** El peso del equipo remolcado puede causar la pérdida de tracción y la pérdida de control.
5. Desplácese lentamente y permita una distancia adicional para detenerse.
6. Un giro de radio cero con un remolque conectado, podría dañar el remolque o el cortacésped.

**4.10 RETIRO DEL MATERIAL ATASCADO**



**PELIGRO:**

**¡NUNCA PONGA LAS MANOS EN LA TOLVA DE DESCARGA POR NINGÚN MOTIVO! Si ha ocurrido una obstrucción, apague el motor y quite la llave y sólo entonces use un palo u objeto semejante para quitar el material atascado.**

**4.11 DESPLAZAMIENTO DEL CORTACÉSPED CON EL MOTOR DETENIDO**

1. Si la tolva de descarga llega a atascarse, apague el motor y quite la llave de encendido. Use un palo o artículo semejante para sacar el material atascado. Luego, reanude el corte normal.

**4.12 RECOMENDACIONES PARA CORTAR EL CÉSPED**

1. No corte con cuchillas desafiladas. Una cuchilla desafilada desgarrará el césped, dando como resultado una mala apariencia del césped y requiriendo potencia adicional del motor.
2. La tolva de descarga no debe quitarse y debe mantenerse en su posición más baja para desviar hacia abajo el césped cortado y cualquier objeto que se encuentre sobre el mismo. Dirija la descarga lateral lejos de aceras o de calles para minimizar la limpieza de los recortes de césped. Cuando corte cerca de obstáculos, dirija la descarga lejos de los mismos para reducir la posibilidad de daños a la propiedad debido a objetos lanzados.

**ADVERTENCIA**

**NO OPERE SIN EL EQUIPO MEZCLADOR DE PAJA DE LA TOLVA DE DESCARGA, O SIN EL RECOGEDOR DE CÉSPED INSTALADOS.**

3. Corte el césped cuando esté seco y no demasiado alto. No corte el césped demasiado corto (corte 1/3 o menos del césped existente para obtener una mejor apariencia). Corte frecuentemente.
4. Mantenga limpios el cortacésped y la tolva de descarga. Cuando corte césped mojado o césped alto, corte dos veces. Levante el cortacésped al ajuste más alto para el primer pase y luego haga un segundo pase en la altura deseada.
6. Use una baja velocidad de desplazamiento cuando desee recortar.
7. Opere el motor a máxima aceleración para un mejor corte. Si corta a una RPM más baja, el cortacésped desgarrará el césped. El motor está diseñado para operarse a la máxima velocidad.
8. Use un patrón de franjas alternas para mejorar la apariencia del césped. Varíe la dirección de la franja cada vez que corte el césped para evitar estropear los patrones en el mismo.

**4.13 AJUSTE DE LA ALTURA DE CORTE**

La plataforma del cortacésped puede ajustarse desde una altura de 1" hasta 4 1/2" en intervalos de 1/4". Para ajustar la altura de corte:

1. Desconecte la potencia a las cuchillas de corte.
2. Empuje el pedal de pie de ajuste de la altura de corte completamente hacia adelante con su pie derecho hasta que se asegure en su lugar. (Figura 4-4, página 18)
3. Inserte el pin en el indicador de altura de corte en la altura de corte deseada. Empuje hacia adelante la palanca de pie de la elevación de plataforma, manténgala en posición y levante la palanca de liberación de plataforma, (Figura 4-4). Libere lentamente el pedal. Hay una calcomanía de la altura de plataforma ubicada en el indicador de altura como una ayuda para ajustar la plataforma a la altura deseada. (Figura 4-4)


**NO ajuste la altura de corte cuando las cuchillas del cortacésped estén girando. Desconecte la potencia a las cuchillas de corte y luego ajuste la altura de corte.**





3. Para desconectar la transmisión de la plataforma, empuje el interruptor a la posición de desconexión.
4. Siempre opere el motor a máxima aceleración para mantener apropiadamente la velocidad de corte. Si el motor comienza a disminuir su velocidad por exceso de carga, reduzca la velocidad hacia adelante y permita que el motor opere a sus máximas RPM.

### 4.7 OPERACIÓN EN UNA CUESTA

**ADVERTENCIA:** 

**NO opere en pendientes empinadas. Para probar si puede trabajar en una cuesta, trate de retroceder (con la plataforma de corte baja). Si la máquina puede retroceder por la pendiente sin que las ruedas se resbalen, reduzca la velocidad y opere con extremo cuidado. Bajo ninguna circunstancia la máquina debe ser operada en cuestas mayores a 15 grados. SIEMPRE CUMPLA CON LAS OPERACIONES APROBADAS POR OSHA.**

1. Este cortacésped se ha diseñado para tener buena tracción y estabilidad bajo condiciones normales de corte. Sin embargo, debe tener cuidado al desplazarse en cuestas, especialmente cuando el césped está mojado. El césped mojado reduce la tracción y el control de dirección. El sistema de protección contra vuelco es un equipo estándar para esta máquina. Vea la Sección 2.5, página 7 de este manual para mayores detalles.
2. Para evitar volcarse o perder el control, no arranque ni se detenga repentinamente, evite giros innecesarios y desplácese a baja velocidad. Si las llantas pierden tracción, desconecte las cuchillas y baje lentamente la pendiente.
3. Evite arranques repentinos al subir una cuesta. Los arranques repentinos pueden causar que la máquina se incline hacia atrás.

### 4.8 ESTACIONAMIENTO DEL CORTACÉSPEDES

4. Puede producirse una pérdida de tracción al desplazarse bajando una cuesta. El peso se transfiere a la parte delantera de la máquina y puede causar que las ruedas motrices se deslicen, causando pérdida de frenado o dirección.
5. Mantenga las llantas correctamente infladas.

### 4.9 DESPUÉS DE LA OPERACIÓN

1. Lave todo el cortacésped después de cada uso. No use chorro a alta presión ni dirija el chorro sobre componentes eléctricos.

#### **-IMPORTANTE-**

*No lave un motor caliente ni en operación. El agua fría dañará el motor. Use aire comprimido para limpiar el motor si está caliente.*

2. Mantenga limpio todo el cortacésped para impedir severos daños por calentamiento al motor o al circuito de aceite hidráulico.
3. Verifique la correcta alineación de las correas de transmisión y cualquier señal de desgaste. Corrija y ajuste si es necesario.
4. Verifique la presión de las llantas. Corrija la presión si es necesario.



**-NOTA-**  
La operación suave de las palancas de dirección producirá una operación suave del cortacésped. Mientras aprende a operar los controles de dirección, mantenga baja la velocidad de desplazamiento.

**-IMPORTANTE-**

No se desplace hacia adelante sobre el reborde de una acera. El cortacésped puede detenerse sobre el reborde. Levante la plataforma y desplácese hacia atrás sobre el reborde en un ángulo de 45 grados. (vea la sección 4.1, artículo 12 para instrucciones sobre como levantar la plataforma de corte).

**Desplazamiento en reversa**



**PRECAUCIÓN:**

Desconecte la potencia al cortacésped antes de retroceder. No corte en reversa a menos que sea absolutamente necesario y sólo después de observar toda el área detrás del cortacésped.



**PRECAUCIÓN:**

Antes de retroceder, observe si hay personas y obstrucciones en la parte posterior. Despeje el área antes de retroceder. Pueden ocurrir lesiones personales o daños a la propiedad.

Para desplazarse en reversa, tire hacia adentro las palancas fuera de la posición neutral de bloqueo y tire ambas asas hacia atrás. Mantenga baja la velocidad de desplazamiento al viajar en reversa.

**-NOTA-**

El cortacésped no puede desplazarse en línea recta en reversa. Deben hacerse ligeros ajustes con los controles de dirección.

Para dirigirse a la izquierda mientras se desplaza en reversa, permita que la palanca izquierda de dirección se mueva hacia adelante. Cuando más se permita al control desplazarse hacia adelante, más rápido girará el cortacésped a la izquierda.

**4.6 CONEXIÓN DE LA TRANSMISIÓN DE PLATAFORMA (CUCHILLAS DE CORTE)**

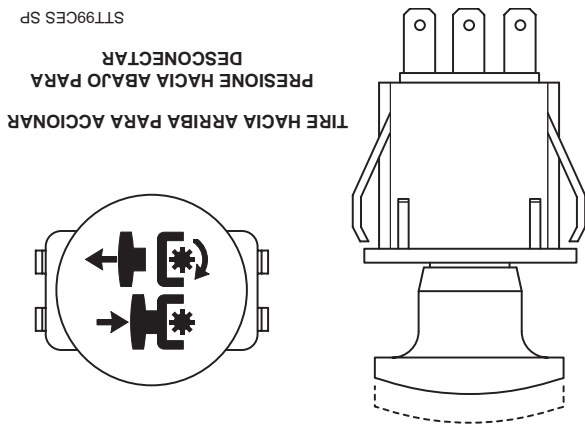
Para dirigirse a la derecha mientras se desplaza en reversa, permita que la palanca derecha de dirección se mueva hacia adelante. Cuando más se permita al control desplazarse hacia adelante, más rápido girará el cortacésped a la derecha.

Para detener el desplazamiento en reversa, permita que las palancas de dirección vuelvan a la posición neutral. Si el cortacésped debe ser estacionado, coloque las asas en la posición neutral de bloqueo, y accione el freno de estacionamiento.

1. Ponga el control de aceleración en cerca de 3/4 de la velocidad máxima. No trate de accionar la transmisión de la plataforma en alta velocidad ya que esto acorta la vida del embrague eléctrico — use una velocidad moderada del motor al accionar la transmisión de plataforma.
2. Accione la transmisión de plataforma tirando del interruptor amarillo, ubicado en el panel de instrumentos, (Figura 4-3) a la posición accionada.

**-NOTA-**

Puede escucharse un chirrido al accionar o desconectar la transmisión de la plataforma. Es causado por el engrane de los platos del embrague eléctricos mientras el cortacésped adquiere velocidad. Esto es normal.




**Figura 4-3 Interruptor de accionamiento del cortador**

### 4.3 PROCEDIMIENTOS DE ARRANQUE INICIAL (Primer día de uso o aproximadamente 20 horas)

1. Verifique la correcta alineación de todas las correas y su desgaste a las 2, 4 y 8 horas.

2. Cambie el aceite de motor y el filtro de aceite después de las primeras 20 horas de operación. (Vea la sección 7.3)
3. Verifique el nivel de aceite hidráulico en el depósito. (Vea la sección 7.2)
4. Revise que no haya tornillería floja. Apriete según sea necesario.
5. Revise la correcta operación del sistema de bloqueo. (Vea la sección 4.2)
6. Revise la presión de las llantas. Corrija la presión si es necesario. (Vea la sección 7.9)

### 4.4 ARRANQUE DEL MOTOR

**PRECAUCIÓN:**  **NO USE LÍQUIDOS DE ARRANQUE. El uso de líquidos de arranque en el sistema de toma de aire puede ser potencialmente explosivo o causar una condición de "embalamiento" del motor que puede causar daños al motor y/o lesiones personales.**

1. Siéntese en el asiento del operador, asegure el cinturón de seguridad y coloque las palancas de control de dirección en la posición neutral.
2. Accione el freno de estacionamiento.
3. Si el motor está frío, aplique el estrangulador según sea necesario.
4. Mueva el control de aceleración del motor hasta cerca de la mitad de la velocidad del motor.
5. Gire la llave de encendido a la posición START y suéltela en cuanto arranque el motor. No mantenga la llave en la posición START por más de 15 segundos. Permita por lo menos 60 segundos entre cada intento de arranque para evitar sobrecalentar el arrancador. Los arranques prolongados pueden dañar el arrancador y acortar la vida de batería.

### Desplazamiento hacia adelante

Para desplazarse hacia adelante con el cortacésped, libere el freno de estacionamiento, lleve las palancas hacia adentro sacándolas de la posición neutral y empuje lentamente las palancas de dirección hacia adelante una distancia similar. Cuando más adelante se empujen las palancas, mayor será la velocidad. Para aumentar la velocidad, empuje las palancas de control de dirección más adelante y para disminuirla, tire de las palancas hacia atrás.

Para detener el desplazamiento hacia adelante, tire de las palancas de control de dirección nuevamente a la posición neutral.

Para dirigir el cortacésped a la izquierda mientras se desplaza hacia adelante, tire la palanca izquierda de dirección hacia atrás. Cuando más atrás se tiren las palancas, más rápido girará el cortacésped a la izquierda.

Para dirigir el cortacésped a la derecha mientras se desplaza hacia adelante, tire la palanca derecha de dirección hacia atrás. Cuando más atrás se tiren las palancas, más rápido girará el cortacésped a la derecha.

### 4.5 DESPLAZAMIENTO EN EL TERRENO Y DIRECCIÓN

6. Permita que el motor se entibie antes de operar el cortacésped.

**-IMPORTANTE-**  
Si no está familiarizado con la operación de una máquina con dirección de palanca y/o transmisiones hidrostáticas, debe practicar las operaciones de conducción y velocidad en el terreno en un área abierta, lejos de edificios, cercas, u obstrucciones. Practique hasta que se sienta cómodo con el manejo de la máquina antes de tratar de cortar. Aprenda la operación en terreno plano antes de operar en pendientes.

### -IMPORTANTE-

Comience practicando a baja velocidad y desplazándose lentamente hacia adelante. Aprenda a controlar con suavidad los controles de dirección para obtener una operación uniforme.

6. **Horómetro (Figura 4-1).** Indica el número de horas que ha operado el motor. Opera cuando el interruptor de la llave de encendido está en la posición ON. Ha fijado los recordatorios para el mantenimiento del motor y los cambios de aceite del sistema hidráulico. El mantenimiento programado empezará a destellar 2 horas antes de la hora establecida y continuará destellando hasta 2 horas después. Reinicia automáticamente.
7. **Portafusibles (Figura 4-1).** Dos fusibles de 20 Amp protegen el sistema eléctrico del cortacésped. Para reemplazar los fusibles, retire el fusible del zócalo e instale uno nuevo.
8. **Control izquierdo de dirección (Figura 4-1).** Usado para controlar la rueda izquierda del cortacésped al avanzar hacia adelante o en reversa.
9. **Control derecho de dirección (Figura 4-1).** Usado para controlar la rueda derecha del cortacésped al avanzar hacia adelante o en reversa.
10. **Control del freno de estacionamiento (Figura 4-1).** Usado para accionar y desconectar los frenos de estacionamiento. Tire de la palanca para accionar los frenos de estacionamiento. Presione la palanca para desconectar los frenos de estacionamiento.
11. **Palancas de control de la válvula de descarga (Figura 4-2).** Ubicadas en los lados izquierdo y derecho del parachoques posterior, se usan para hacer "rodar libremente" el cortacésped. El giro de las palancas hacia adelante, hasta llegar a la muesca, permite que la unidad se mueva con potencia hidráulica. El giro de las palancas hacia atrás, hasta llegar a la muesca, permite que el cortacésped se mueva a mano (rueda libremente).
12. **Palanca de pie de elevación de la plataforma (Figura 4-1).** Usada para levantar y bajar la plataforma de corte.
13. **Ajuste de la altura de corte (Figura 4-1).** Usado para poner la plataforma de corte en la altura de corte deseada.
14. **Palanca de liberación de la plataforma de corte (Figura 4-1).** Usada para trabar la plataforma de corte en la posición de transporte. Para corte normal, empuje el pedal hacia adelante y tire de la palanca de desenganche de modo de soltar la plataforma de corte.

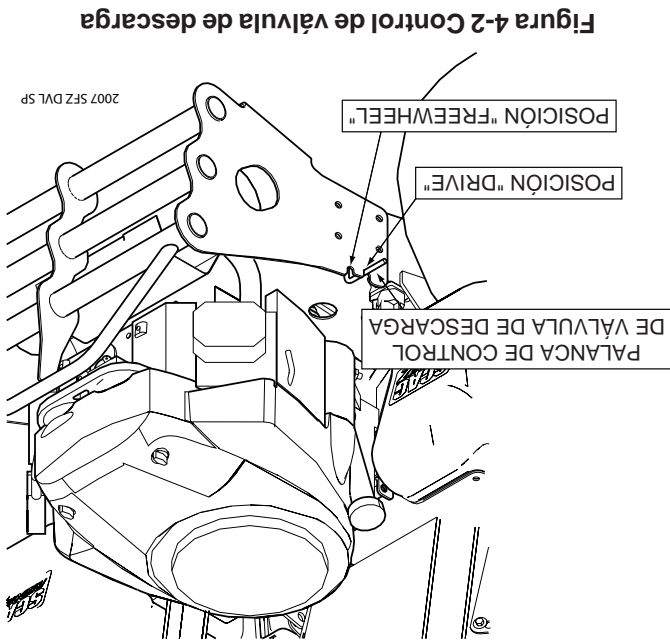


Figura 4-2 Control de válvula de descarga

15. **Cinturón de seguridad (Figura 4-1).** Usado para asegurar al operador. El cinturón de seguridad debe usarse durante toda la operación.
16. **Seguro de liberación de la sujeción del asiento (Figura 4-1).** Ubicado detrás del asiento. Usado para asegurar el asiento en la posición de operación. Libere el seguro para tener acceso a la parte inferior del asiento.

El cortacésped está equipado con un sistema de bloqueo de seguridad que evita que el motor arranque a menos que la transmisión de plataforma esté desconectada, las palancas de control de dirección en la posición neutral y el operador en el asiento. El sistema de bloqueo apaga el motor si el operador deja el asiento con las palancas de control de dirección en una posición distinta de la neutral y/o las cuchillas de corte accionadas y/o el freno de estacionamiento no accionado.

## ADVERTENCIA:

Nunca opere el cortacésped con el sistema de bloqueo desconectado o funcionando defectuosamente. No desconecte ni ponga en puente ningún interruptor; el hacerlo puede provocar lesiones a usted y/o a terceros o causar daños a la propiedad.

## 4.2 SISTEMA DE BLOQUEO DE SEGURIDAD

## INSTRUCCIONES DE OPERACIÓN

### PRECAUCIÓN:

No trate de operar este cortacésped a menos que haya leído este manual. Aprenda la ubicación y el propósito de todos los controles e instrumentos antes de operar este cortacésped.

### 4.1 IDENTIFICACIÓN DE CONTROLES E INSTRUMENTOS

Antes de operar el cortacésped, debe familiarizarse con todos los controles del cortacésped y el motor. Es importante conocer la ubicación, función y operación de estos controles para la operación segura y eficiente del cortacésped.

1. **Interruptor de encendido (Figura 4-1).** Usado para arrancar el motor; tiene tres posiciones: OFF, ON y START.

2. **Interruptor de la plataforma del cortacésped (Figura 4-1).** Usado para accionar y desconectar el sistema de transmisión del cortacésped. Tire del interruptor para accionar la transmisión de la plataforma. Presione el interruptor para desconectar la transmisión de plataforma.
3. **Control de estrangulación del motor (Figura 4-1).** Usado para arrancar un motor frío.
4. **Control de aceleración del motor (Figura 4-1).** Usado para controlar la velocidad de motor. Tirando de la palanca hacia atrás disminuye la velocidad del motor. Presionando la palanca hacia abajo aumenta la velocidad del motor. La posición completamente hacia adelante es la posición de corte. La posición completamente hacia atrás es la posición de MARCHA EN VACÍO.
5. **Indicador de combustible (Figura 4-1).** Indica la cantidad de combustible en el tanque.

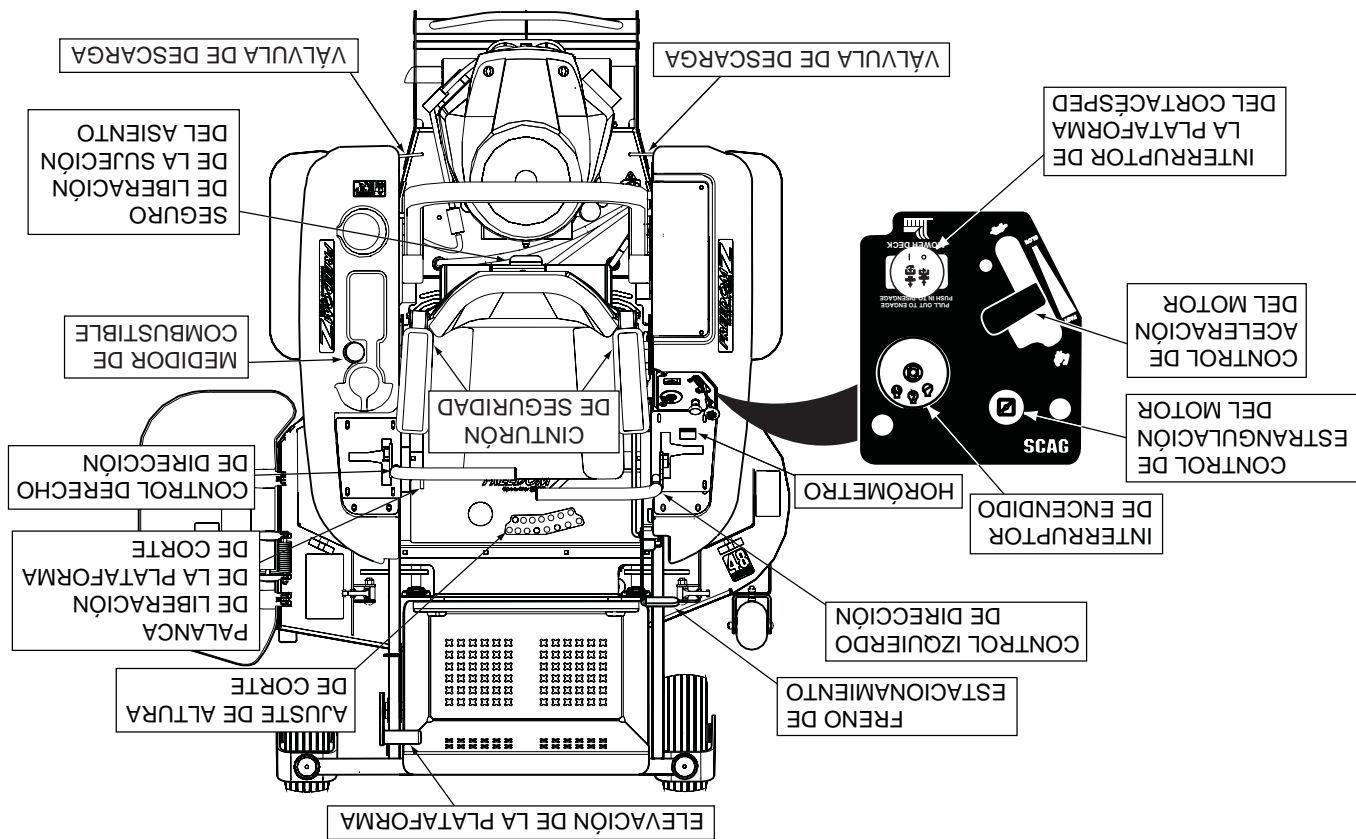


Figura 4-1 Controles e Instrumentos

### 3.3 TRACTOR (CONTINUACIÓN)

Velocidad de desplazamiento:

- Adelante ..... 0-8 MPH (0-12 Kph)
- Reversa ..... 0-5 MPH (0-8 Kph)

*La máquina se desplazará a 8 Mph (12 Kph) para fines de transporte. Para un mejor desempeño de corte, la velocidad de desplazamiento hacia adelante debe ajustarse en función de las condiciones de corte.*

-NOTA-

### 3.4 PLATAFORMA DE CORTE

**Tipo:** ..... Flotante, ajustable, anti raspado, de diseño híbrido que combina diseños delantero y de montaje frontal

**Construcción:** ..... Parte superior calibre 10 con refuerzo de calibre 11 en toda el área del eje, faldón calibre 7 para resistencia y durabilidad.

**Ancho de corte:** ..... 48" (122.0cm), 52" (132.0cm)

**Ajuste de altura de corte:** ..... Ajuste con palanca de pie desde el asiento del operador, desde 1.00" a 4.5" en incrementos de 1/4"

**Cuchillas de corte:** ..... Grosor 0.197, borde cepillado, material Marbain™ resistente al desgaste

**Accionamiento de las cuchillas:** ..... Embrague eléctrico de accionamiento de cuchilla con interruptor de panel de control

**Abertura de descarga:** ..... Conectado a la plataforma de corte a través de una correa.

**Ejes:** ..... Eje para servicio pesado, cuerpo fundido, rodamiento de bola sellado, libre de mantenimiento

**Poleas del eje:** ..... Acero partido

**Correas de la plataforma de corte:** ..... Sección B, de Kevlar Autoajustado, autoapretado

**Tipo embrague eléctrico:** ..... Embrague PTO de servicio pesado Ogura

### 3.6 SISTEMA HIDRÁULICO

**Filtro de aceite hidráulico:** ..... Tipo roscado (spin-on) de 40 micras

**Depósito hidráulico:** ..... Nylon

### 3.7 PRODUCTIVIDAD

La tabla siguiente lo ayudará a determinar cuántos acres cortará su cortacésped Scag por día.

La tabla es un estimado basado en un tiempo de corte de 8 horas por día, a 6 KPH, con una cuota de 20% para traslape y giros.

**Ancho de corte:** 48" 52"  
**Acres por día:** 18.6 20.2

## ESPECIFICACIONES

### 3.1 MOTOR

.....	Tipo general	Industrial de servicio pesado/Comercial de gasolina
.....	Marca	Briggs & Stratton, Kawasaki
.....	Potencia	19 HP (Espec. #) (Scag Modelo SFZ48-19KA, SFZ52-19KA) 26 HP (Espec. #) (Scag Modelo SFZ48-26BS, SFZ52-26BS)
.....	Cilindros	2 con camisas de hierro fundido
.....	Controlador	Tipo mecánico con control de velocidad variable fijado en 3600 RPM
.....	Velocidad en vacío	1750 RPM - Briggs & Stratton 1550 RPM - Kawasaki
.....	Conjunto de bomba de combustible	Bomba integral de combustible con filtro en línea
.....	Combustible	Gasolina sin plomo con un octanaje mínimo de 87
.....	Conjunto de bomba de aceite	Bomba de aceite Gerotor™ de desplazamiento positivo
.....	Arrancador	Arranque eléctrico con piñón de arranque
.....	Correas:	Correa de Kevlar Autoajustado, autoapretado
.....	Correa de transmisión de la bomba	Número de parte Scag - 483314

### 3.2 SISTEMA ELÉCTRICO

.....	Batería	12 voltios
.....	Sistema de carga	Alternador
.....	Salida de carga	12 voltios, 16 Amp
.....	Polaridad del sistema	Tierra negativa
.....	Arrancador	Eléctrico, 12 voltios, de corona, operado por llave
.....	Commutadores de bloqueo	Asiento, control de neutral, accionamiento de cortacésped (BBC), freno de estacionamiento
.....	Tablero de instrumentos	Llave de encendido, palanca de aceleración, estrangulación manual, interruptor PTO
.....	Fusibles	Dos (2) de 20 Amp

### 3.3 TRACTOR

.....	Sistema de transmisión	Transmisión hidráulica con dos transejes Hydro-Gear™ ZT2800 integrados, radio de giro cero
.....	Control de dirección/desplazamiento	Control de dirección de doble palanca accionado con la punta de los dedos, con control individual de cada rueda con amortiguadores de gas
.....	Freno de estacionamiento	Mecanismo accionado por palanca conectado a los frenos en los ejes de ambas ruedas motrices
.....	(2) Rueda libre en la parte delantera	11 X 4.5-5 de dos capas
.....	(2) Motrices	20 X 10-8, sin cámara neumática, de dos capas, borde radial
.....	Tanque de combustible	Tanque simple de 7 galones, de polietileno, sin costuras, con gran abertura y tapa de combustible
.....	Presión de la llanta:	Rueda libre delantera 25 PSI
.....	Motriz	8 PSI
.....	Asiento	Acollado, cojín grueso con apoyo adicional de resortes



483467

**ADVERTENCIA**

**EVITE LESIONES GRAVES O LA MUERTE**

- Lea el Manual del operador
- Solicite aflijetas en español a un distribuidor Scag
- Opere sólo en pendientes donde pueda retroceder
- Si la máquina se detiene al subir una cuesta, detenga la cuchilla y retroceda lentamente
- Evite giros repentinos
- No corte cuando niños u otras personas estén presentes
- Jamás lleve niños, ni siquiera con las cuchillas desconectadas
- Mire hacia abajo y hacia atrás antes y durante la marcha en reversa
- Mantenga los dispositivos de seguridad (guardas, escudos, interruptores, etc.) en su lugar y funcionando
- Retire los objetos que pudieran ser arrojados por la cuchilla
- Sólo operadores entrenados

**HECHO EN REUNION, por SCAG**

**FREEDOM Z**

**PROCEDIMIENTO DE ARRANQUE / MARCHA**

- Accione el freno de estacionamiento
- Desconecte la transmisión de la plataforma del cortacésped
- Mueva las asas de control a la posición neutral
- Arranque el motor
- Libere el freno de estacionamiento
- Seleccione la marcha hacia adelante o hacia atrás con las manijas de control hidráulico

LIBERACIÓN DEL SEGURO DE LA PLATAFORMA

483556

**483556**

**IMPORTANTES PROCEDIMIENTOS DE AJUSTE**

Revise la presión de las llantas - Llantas motrices -8 psi  
- Llantas inclinadas -25 psi

LEA EL MANUAL DEL OPERADOR PARA MÁS DETALLES

Para mover la máquina sin operar el motor, tire de ambas varillas de adelante y trabelas en la ranura frontal para operar el cortacésped hacia arriba y hacia atrás, y trabelas. Tire de las varillas hacia adelante y trabelas en la ranura posterior de la máquina para operar el cortacésped hacia atrás y trabelas.

**AJUSTE NEUTRAL**

Palanca de control de mecanismo

Tornillo del mecanismo

Para reestablecer neutral, mantenga el motor apagado y las palancas de control en neutral. Afloje el tornillo del mecanismo superior. Permita que la transmisión para disminuir la velocidad de la rueda izquierda. Ajuste el perno de tope del control izquierdo en el sentido del reloj (hacia adentro). Si la máquina tira hacia la derecha, ajuste el perno de tope del control derecho en el sentido del reloj (hacia adentro) para disminuir la velocidad de la rueda derecha.

un distribuidor Scag autorizado.

siguen arrojados después del ajuste, consulte con un distribuidor Scag autorizado.

**ALINEACIÓN**

Palanca de control

Perno de tope

No lleve demasiado. Debe permitirse espacio para la expansión del fluido caliente o la expansión resultante. podrá causar fugas en el sistema.

**IMPORTANTE**

Revisa el nivel de fluido hidráulico mientras el fluido está frío. Llene solamente con aceite para motor 20W50.

IMPORTANTE

La operación en pendientes puede ser peligrosa. Esta máquina viene equipada originalmente con un dispositivo de protección contra vuelco, y una barra contra vuelco. Consulte con su distribuidor si cualquiera de ellos está faltante o dañado.

**483425**

**IMPORTANTE**

483425

4822291

de combustible.

482291

retirar la tapa del tanque

Apague el motor antes de

Evite las quemaduras.

**PRECAUCIÓN**

**PRECAUCIÓN**

LA VOLCADURA DE LA MÁQUINA PUEDE CAUSAR LESIONES GRAVES O LA MUERTE. El cumplimiento de estas instrucciones puede causar lesiones graves o la muerte. NO opere la máquina en pendientes empinadas o cerca de pendientes y/o repentes. Evite los giros bruscos y/o repentes. Siempre use cinturón de seguridad. NO salte si la máquina se voltea. No opere la máquina con la barra contra vuelco anclada. Cualquier alteración de la barra contra vuelco anulará la certificación si no es aprobada por el fabricante.

3-89318

483411

**ADVERTENCIA**

Reemplace el asiento sólo con otro aprobado por Scag que tenga las provisiones de montaje y los cinturones de seguridad aprobados por Scag. El incumplimiento de estas instrucciones puede causar lesiones graves o la muerte en caso de una volcadura.

**ADVERTENCIA**

**REVERSA**

**ADELANTE**

483402

**ADVERTENCIA**

INSTALE LA CUBIERTA DE LA CORREA ANTES DE OPERAR LA MÁQUINA

LEA EL MANUAL DEL OPERADOR

483405

**ADVERTENCIA**

NO OPERE SIN LA TOLVA DE DESCARGA, EL EQUIPO MEZCLADOR DE PAJA O EL RECOGEDOR DE CÉSPED INSTALADOS

483405

483406

**ADVERTENCIA**

CUCHILLAS GIRATORIAS Y CORREA

- \* Mantenga limpias sus manos, sus pies y su ropa
- \* Mantenga todas las guardas en su posición
- \* Apague el motor y desconecte el embrague de la cuchilla antes de darle servicio
- \* Tenga precaución al dirigir la descarga
- \* Lea el manual de instrucción antes de la operación

NO OPERE A MENOS QUE ESTÉN INSTALADOS EL RECOGEDOR DE CÉSPED, EL EQUIPO MEZCLADOR DE PAJA O LA TOLVA DE DESCARGA

483505

**PELIGRO**

CUCHILLA GIRATORIA

MANTÉNGASE ALEJADO

EL CONTACTO CON LA CUCHILLA Y LOS OBJETOS LANZADOS PUEDEN CAUSAR DAÑOS

2.7 CALCOMANÍAS INSTRUCTIVAS Y DE SEGURIDAD



### 2.6 CONSIDERACIONES DE MANTENIMIENTO Y ALMACENAMIENTO

1. Nunca realice ajustes a la máquina con el motor en operación a menos que se le indique específicamente hacerlo así. Si el motor está funcionando, mantenga las manos, los pies, y la ropa lejos de las piezas móviles.

2. Desconecte la transmisión, baje los implementos, ponga el freno de estacionamiento, detenga el motor y quite la llave o desconecte el cable de bujía para evitar un arranque accidental del motor cuando esté dando servicio o ajuste a la máquina. Espere que todo movimiento cese antes de realizar cualquier ajuste, limpieza o reparación.
3. Desconecte la batería o retire el cable de la bujía antes de hacer cualquier reparación. Desconecte primero el terminal negativo y el terminal positivo y después. Reconecte primero el terminal positivo y el terminal negativo después.

4. Mantenga apretados todos los pernos, tuercas, y tornillos, para asegurar que la máquina esté en condiciones seguras de trabajo. Revise con frecuencia los pernos de montaje de las cuchillas para estar seguro de que estén apretados.

5. No cambie los ajustes del controlador del motor ni opere a mayor velocidad de la nominal. Vea el manual del operador del motor para obtener información sobre los ajustes del motor.

6. Para reducir el peligro de incendio, mantenga las unidades de corte, el silenciador y el motor libres de césped, hojas, exceso de grasa, aceite y suciedad.

7. Estacione la máquina en terreno plano y accione el freno de estacionamiento.

8. **NUNCA** permita que personal sin entrenamiento de servicio a la máquina.

9. Tenga cuidado al revisar las cuchillas. Forre las cuchillas o use guantes y tenga cuidado al dar servicio a las cuchillas. Sólo reemplace o afíle las cuchillas. **NUNCA** enderece ni suelde las cuchillas.

10. Mantenga todas las partes en buenas condiciones de funcionamiento. Reemplace todas las calcomanías desgastadas o dañadas.

11. Use soportes de gato para apoyar componentes cuando sea necesario.

12. Libere cuidadosamente la presión de los componentes que tengan energía almacenada.

**ADVERTENCIA:** El fluido hidráulico se encuentra a alta presión. Mantenga el cuerpo y las manos lejos de los pequeños agujeros o boquillas que expulsan fluido hidráulico a alta presión. Si necesita servicio para su sistema hidráulico, contacte con su distribuidor autorizado Scag. Si el fluido hidráulico se inyecta en la piel, debe ser retirado quirúrgicamente dentro de unas pocas horas por un médico o puede producirse una gangrena.

13. Permita que el motor se enfríe antes de almacenarlo.
14. **NO** almacene la máquina cerca de un fuego abierto.
15. Corte el combustible durante el almacenamiento o el transporte.
16. **NO** almacene combustible cerca de llamas ni drenajes bajo techo.
17. Cargue las baterías en un área abierta y bien ventilada, lejos de chispas y llamas. Desenchufe el cargador antes de conectarlo o desconectarlo de la batería. Use ropa de protección y herramientas aisladas.

2.5 SISTEMA DE PROTECCIÓN CONTRA VUELCO

**ADVERTENCIA:** El cinturón de seguridad debe estar sujeto firmemente durante la operación. No hacerlo así podría ocasionar lesiones graves o la muerte.

Este cortacésped se ha diseñado para tener buena tracción y estabilidad bajo condiciones normales de corte. Sin embargo, debe tener cuidado al viajar en cuestas, especialmente cuando el césped está mojado. No corte en césped mojado. El césped mojado reduce la tracción y el control de dirección.

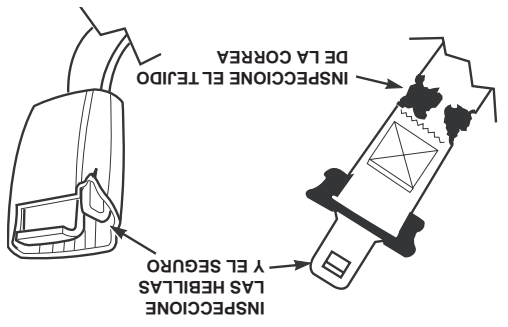
NO DEBE retirarse ninguno de los componentes del sistema de protección contra vuelco. El incumplimiento de esta pauta puede causar lesiones o la muerte. La exposición potencial de este cinturón de seguridad a condiciones ambientales severas hace crucial examinar el sistema del cinturón regularmente.

Se recomienda examinar diariamente el cinturón de seguridad para detectar señales de daño. Cualquier sistema de cinturón de seguridad que muestre cortes, roturas, desgaste extremo o inusual, decoloración significativa debido a la exposición UV, suciedad o rigidez, abrasión al tejido del cinturón de seguridad, o daños a la hebilla, placa de cierre, tornillería o cualquier otro problema obvio debe ser reemplazado inmediatamente.

**ADVERTENCIA:** El incumplimiento de inspeccionar y mantener apropiadamente el cinturón de seguridad puede ocasionar lesiones graves o la muerte.

1. Revise la longitud completa de las correas para detectar si hay cortes, desgaste, roturas, suciedad y rigidez. Vea la Figura 2-1.
2. Revise el tejido de las correas del cinturón de seguridad en las áreas expuestas a los rayos ultra violeta del sol o a polvo o suciedad extrema. Si el color original de las correas en estas áreas está extremadamente decolorado y/o lleno de suciedad, la resistencia física de estas correas puede haberse deteriorado. Si existen estas condiciones, reemplace el sistema del cinturón de seguridad.

Figura 2-1 Inspección del cinturón de seguridad



3. Revise la hebilla y el seguro para verificar su correcto funcionamiento y determine si la placa de cierre está excesivamente gastada, deformada, o si la hebilla está dañada o agrietada. Vea la Figura 2-1.

**ADVERTENCIA:** Reduzca la velocidad al girar o al operar en pendientes, o en superficies húmedas o resbaladizas. Permita una distancia adicional para detenerse. Manténgase alejado de pendientes demasiado empinadas para una operación segura. Para probar si puede trabajar en una cuesta, trate de retroceder (con la plataforma de corte baja). Si la máquina no puede retroceder en una pendiente sin que las ruedas resbalen, no la opere en dicha pendiente. Bajo ninguna circunstancia la máquina debe ser operada en cuestas mayores a 15 grados.

**SIEMPRE** desplácese hacia arriba o hacia abajo de la pendiente cuando sea posible. Nunca cruce sobre una pendiente.


NO corte cerca de pendientes verticales, zanjas ni terraplenes. La máquina podría volcarse repentinamente si una rueda pasa encima de un borde o si el borde se derrumba.



Opere la máquina suavemente, sin giros repentinos, ni arranques o paradas en una pendiente.

**NUNCA** remolque en cuestas. El peso del equipo remolcado puede causar la pérdida de tracción y la pérdida de control.

NO permita que personal sin entrenamiento opere la máquina.

### 2.4 CONSIDERACIONES DE OPERACIÓN (CONTINUACIÓN)

2. Reduzca la velocidad y tenga mucho cuidado cuando opere en pendientes o de giros bruscos para evitar volcaduras y pérdida de control. Sea especialmente cauteloso al cambiar de dirección en las pendientes.
  3. Para evitar volcarse o perder el control, arranque y deténgase suavemente, evite giros innecesarios y desplácese a baja velocidad.
  4. Cuando use cualquier accesorio, nunca dirija la descarga del material hacia otras personas, ni permita que haya nadie cerca a la máquina mientras esta en funcionamiento.
  5. Antes de tratar de arrancar el motor, con el operador en el asiento, desconecte la potencia a la plataforma de corte, coloque las palancas de control de dirección en la posición neutral y accione el freno de estacionamiento.
  6. Si la descarga del cortacésped se tapona, apague el motor, quite la llave de encendido, y espere que cese todo movimiento antes de quitar la obstrucción.
- ADVERTENCIA:**  NO use la mano para desatascar la tolva de descarga. Use una varilla u otro dispositivo para retirar el material atascado después de apagar el motor y que las cuchillas paren de girar.
7. Preste atención a agujeros, piedras, raíces y otros peligros ocultos en el terreno. Manténgase alejado de toda pendiente vertical. Tenga cuidado con las obstrucciones presentes arriba de su cabeza (ramas bajas, etc.), obstáculos subterráneos (aspersores, tubos, raíces de árboles, etc.) Ingrese con precaución a un área nueva. Preste atención a posibles peligros ocultos.
  8. Desconecte la potencia a la plataforma de corte antes de retroceder. No corte en reversa a menos que sea absolutamente necesario y sólo después de observar toda el área detrás del cortacésped. Si debe cortar en reversa, mantenga la vista constantemente hacia la parte posterior de la máquina y corte lentamente.
  9. NO gire muy repentinamente. Tenga cuidado al retroceder.

10. Desconecte la potencia a la plataforma de corte antes de cruzar carreteras, caminos o caminos de grava.
  11. Corte sólo con luz de día o buena luz artificial.
  12. **NUNCA** levante la plataforma con las cuchillas conectadas.
  13. Tome toda precaución posible cuando deje la máquina sin atención, como desconectar el cortacésped, bajar los accesorios, poner el freno de estacionamiento, detener el motor, y quitar la llave.
  14. Desconecte la potencia a los accesorios cuando los transporte o cuando no esté usándolos.
  15. La máquina y los accesorios deben detenerse e inspeccionarse para ver si han sufrido daños después de golpear un objeto extraño; el daño debe repararse antes de reiniciar y operar la máquina.
- PRECAUCIÓN:**  NO toque el motor ni el silenciador mientras el motor está funcionando, ni inmediatamente después de detenerlo. Estas zonas pueden estar lo suficientemente calientes como para causar una quemadura.
- PELIGRO:**  NO opere el motor dentro de un edificio ni en un área encerrada sin ventilación apropiada. Los gases de escape son peligrosos y contienen monóxido de carbono que pueden causar daño cerebral y la muerte.
16. Mantenga las manos y pies lejos de las cuchillas de corte y las partes móviles. El contacto puede causar daños.
  17. Tenga cuidado al cargar o descargar la máquina en un remolque o un camión.
  18. Tenga cuidado al aproximarse a esquinas ciegas, arbustos, árboles, u otros objetos que puedan disminuir la visibilidad.
  19. **NUNCA** deje la máquina funcionando sin atención.

7. Si el operador o mecánico no puede leer inglés o español, es responsabilidad del propietario explicarles este material.

8. **NO** use ropa muy holgada. La ropa holgada, las joyas o el cabello largo podrían enredarse en partes móviles. No opere la máquina llevando pantalones cortos; siempre lleve ropa de protección adecuada, incluyendo pantalones largos. Es recomendable llevar gafas de seguridad, zapatos de seguridad y un casco, pues es requerido por algunos reglamentos locales y normas del seguro.

**ADVERTENCIA:** Siempre use protectores auditivos. El operar esta máquina por períodos prolongados de tiempo puede causar pérdida de la audición.

9. Mantenga la máquina y los accesorios en buenas condiciones de operación. Mantenga todas las guardas y dispositivos de seguridad en su lugar. Si una guarda, un dispositivo de seguridad o una calcomanía, están defectuosos o dañados, repárelos o reemplácelos antes de operar la máquina.

**ADVERTENCIA:** Esta máquina está equipada con un sistema de bloqueo diseñado para evitar lesiones personales al operador y a terceros. Esto se logra evitando que el motor arranque a menos que la transmisión de plataforma esté desconectada, las palancas de control de dirección en la posición neutral y el operador en el asiento. El sistema apaga el motor si el operador deja el asiento con la transmisión de plataforma accionada y/o la palanca de control de dirección en una posición diferente de la neutral y el freno de estacionamiento no accionado. Nunca opere el equipo con el sistema de bloqueo desconectado ni funcionando defectuosamente.

10. Asegúrese que los conmutadores de bloqueo funcionen correctamente.  
 11. El combustible es inflamable; manipúlelo con cuidado. Llene el tanque de combustible al aire libre. Nunca lo llene bajo techo. Use un embudo para evitar derrames. Limpie cualquier derrame antes de arrancar el motor.

12. **NO** agregue combustible a un motor en operación ni por varios minutos antes de agregar el combustible. Nunca llene combustible bajo techo ni en un remolque cerrado.

13. Mantenga los objetos inflamables (cigarrillos, fósforos o cerillos, etc.), las llamas abiertas y chispas, lejos del tanque y el recipiente de combustible. Use sólo recipientes aprobados.

14. El equipo debe cumplir con los últimos requisitos de acuerdo con SAE J137 y/o ANSI/SAE S279 cuando sea manejado en caminos públicos.

**-NOTA-**

Si el cortacésped es conducido en caminos públicos, debe cumplir los reglamentos estatales y locales así como también los requisitos SAE J137 y/o ANSI/SAE S279. Contacte con sus autoridades locales para informarse sobre las normas y los requisitos del equipo.


15. **NO** opere sin la tolva de descarga lateral instalada y en la posición baja o con un recogedor de césped o placa desmenuzadora opcionales completamente instalados.

16. Verifique a intervalos frecuentes que los pernos de montaje de la cuchilla estén correctamente ajustados.

17. Asegúrese de que todas las conexiones hidráulicas estén apretadas y que todas las mangueras hidráulicas y las líneas estén en buen estado antes de arrancar la máquina.

**2.4 CONSIDERACIONES DE OPERACIÓN**

1. Conozca la función de todos los controles y sepa cómo detener el equipo rápidamente.

**ADVERTENCIA:**  **NO opere en pendientes empinadas. Para probar si puede trabajar en una cuesta, trate de retroceder (con la plataforma de corte baja). Si la máquina puede retroceder por la pendiente sin que las ruedas se resbalen, reduzca la velocidad y opere con extremo cuidado. Bajo ninguna circunstancia la máquina debe ser operada en cuestas mayores a 15 grados. SIEMPRE CUMPLA CON LAS OPERACIONES APROBADAS POR OSHA.**

## INFORMACIÓN DE SEGURIDAD

### 2.1 INTRODUCCIÓN

Su cortacésped es tan seguro como el operador. El error o descuido del operador puede ocasionar lesiones personales graves o la muerte. El control de riesgos y la prevención de accidentes dependen del conocimiento, el interés, la prudencia, y el entrenamiento apropiado del personal relacionado con la operación, el transporte, mantenimiento y almacenamiento del equipo. Cerciórese de que cada operador este entrenado apropiadamente y completamente familiarizado con todos los controles antes de operar el cortacésped. El propietario/usuario puede evitar y es responsable de los accidentes o heridas que les ocurran a ellos mismos, a otras personas o a la propiedad.

### LEA ESTE MANUAL DEL OPERADOR ANTES DE TRATAR DE ARREGLAR SU CORTACÉSPED.

Hay disponible un manual de reemplazo en su distribuidor autorizado Scag o contactándose con Scag Power Equipment, Service Department en P.O. Box 152, Mayville, WI 53050, o visitando su sitio web en [www.scag.com](http://www.scag.com). Puede descargar el manual para su máquina utilizando el modelo y el número de serie o mediante el formulario de contacto para hacer su pedido. Indique el modelo y el número de serie completos de su producto de Scag cuando solicite manuales de reemplazo.

### 2.2 PALABRAS DE SEÑALIZACIÓN



Este símbolo significa **“¡Atención! ¡Alerta! ¡Hay un riesgo para su seguridad!”** El símbolo se usa con las siguientes palabras de señalización para llamar su atención sobre mensajes de seguridad localizados en las calcomanías del equipo y a través de este manual. El mensaje que sigue al símbolo contiene información importante sobre seguridad. ¡Para evitar posibles lesiones o la muerte, lea detalladamente el mensaje! Cerciórese de entender completamente las causas que pueden ocasionar lesiones o la muerte.

### Palabra de señalización:

Es una palabra distintiva que se encuentra en las calcomanías de seguridad del equipo y a través de este manual para alertar sobre la existencia y el grado de una condición de peligro.

1. **NUNCA** permita que niños operen este cortacésped. No permita que adultos operen esta máquina sin instrucciones apropiadas.
2. **NO** corte cuando niños y/o otras personas estén presentes. Mantenga a los niños fuera del área de corte y al cuidado atento de un adulto responsable distinto del operador. Esté atento y apague la máquina si un niño ingresa al área.
3. **NO** permita que los niños se suban o jueguen en la máquina, no es un juguete.
4. Retire del área que debe ser cortada todos los objetos que pudieran ser recogidos y arrojados por las cuchillas.
5. **NO** lleve pasajeros.
6. **NO** opere el equipo bajo la influencia de alcohol o drogas.

### OPERACIÓN

### 2.3 CONSIDERACIONES PREVIAS A LA

La palabra de señalización **“CAUTION”** (PRECAUCIÓN) es un recordatorio de que se deben seguir prácticas seguras en o cerca de la máquina y que de no seguirse, se pueden ocasionar lesiones personales. Su seguridad y la de los demás dependen en gran parte de que usted conozca y comprenda todos los procedimientos y las prácticas de operación correcta de esta máquina.

**PRECAUCIÓN:**











La palabra de señalización **“WARNING”** (ADVERTENCIA) indica que existe un riesgo en o cerca de la máquina que puede ocasionar lesiones o la muerte si no se toman las precauciones debidas.

**ADVERTENCIA:**











La palabra de señalización **“DANGER”** (PELIGRO) indica que existe una situación extremadamente peligrosa en o cerca de la máquina, que tiene altas probabilidades de ocasionar la muerte o una lesión irreparable si no se toman las precauciones apropiadas.

**PELIGRO:**



DESCRIPCIÓN	SÍMBOLO	DESCRIPCIÓN	SÍMBOLO
Lento		Rápido	
Elemento cortante – Símbolo básico		Continuamente variable – Lineal	
Elemento cortante – Conectar		Punto de contacto	
Elemento cortante – Desconectar		Horómetro/Horas de operación transcurridas	
Lea el manual del operador		Peligro de objetos lanzados curiosos	

Simbolos ISO

DESCRIPCIÓN	SÍMBOLO	DESCRIPCIÓN	SÍMBOLO
Transmisión		Ahogador	
Cuchilla giratoria		Freno de estacionamiento	
Tensión del resorte en la polea		Encendido/Arranque	
Aceite		Apagado/Parada	
Peligro de objetos lanzados		Riesgo de caída	



## INFORMACIÓN GENERAL

### 1.1 INTRODUCCIÓN

Su cortacésped se fabricó según las normas más exigentes de la industria. Sin embargo, la duración de la vida útil y el logro de la máxima eficiencia de su cortacésped dependen de que se sigan las instrucciones de operación, mantenimiento y ajuste indicadas en este manual.

Si requiere información o servicio adicionales, contacte con su distribuidor de Scag Power Equipment.

Le sugerimos que se ponga en contacto con su distribuidor cuando necesite reparaciones. Todos los distribuidores Scag están informados de los últimos métodos para dar servicio a este equipo y para proporcionar un servicio oportuno y eficiente en el sitio de trabajo o en el taller de servicio. Ellos cuentan con la línea completa de piezas de repuesto Scag.

#### EL REEMPLAZO DE CUALQUIER PARTE

DE ESTE PRODUCTO POR OTRA PIEZA DE REPUESTO QUE NO ESTE AUTORIZADA POR EL FABRICANTE PUEDE PERJUDICAR EL RENDIMIENTO, DURABILIDAD O SEGURIDAD DE ESTE PRODUCTO.

#### EL USO DE PIEZAS DE REPUESTO QUE NO SEAN SCAG ORIGINALES ANULARÁ LA

#### GARANTÍA.

Cuando ordene piezas, siempre indique el modelo y el número de serie de su cortacésped. La placa del número de serie está ubicada debajo del asiento como se muestra en la Figura 1-1.

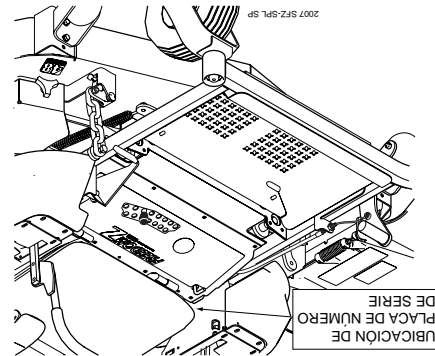


Figura 1-1 Ubicación de placa de número de serie del cortacésped

**SÓLO USE DISPOSITIVOS APROBADOS POR SCAG.** Scag recomienda que todos los accesorios y aditamentos aprobados sean instalados por un distribuidor Scag autorizado.

Los accesorios y aditamentos fabricados por compañías que no sean la propia Scag Power Equipment no están aprobados para usarlos en esta máquina.

Accesorios y aditamentos aprobados por Scag:

GC-SFZ (n/p será anunciado)

Mezclador de paja Hurricane (n/p será anunciado)

Placa desmenuzadora (n/p será anunciado)

Enganche SFZ (n/p será anunciado)

Luces SFZ (n/p será anunciado)

Freedom Striper (n/p será anunciado)

GC-4D (n/p 9054)

GC-F4 (n/p 9055)

Blade Buddy (n/p 9212)

### ADVERTENCIA:

Para una mejor visualización, algunas ilustraciones y las figuras en este manual pueden mostrar las protecciones, las guardas o los platos, abiertos o retirados. Bajo ninguna circunstancia su cortacésped debe operarse sin estos accesorios colocados en su lugar.

Toda la información esta basada sobre la información disponible del producto al momento de aprobarse la impresión. Scag Power Equipment se reserva el derecho de realizar cambios en cualquier momento sin previo aviso y sin contraer ninguna obligación.

### 1.2 REFERENCIA DE INSTRUCCIONES

Los lados "derecho" e "izquierdo", "frental" y "posterior" de la máquina están referidos desde la derecha e izquierda del operador cuando esta sentado en posición de operación normal y de cara a la dirección de desplazamiento hacia adelante.

### 1.3 SERVICIO AL MOTOR Y A LOS COMPONENTES DEL TREN DE TRANSMISIÓN

Los detalles sobre servicio y reparación del motor, las bombas hidráulicas, y cajas de cambios, no están cubiertos en este manual; sólo se proporcionan instrucciones de mantenimiento de rutina y de servicio general. Para dar servicio a estos componentes durante el periodo de garantía limitada, es importante contactar con su distribuidor Scag o encontrar a un agente local de servicio autorizado del fabricante del componente. Cualquier trabajo no autorizado realizado en estos componentes durante el periodo de garantía puede anularla.

# TABLA DE CONTENIDO (CONTINUACIÓN)

PÁGINA

TEMA

## Sección 6 - Ajustes

22	Ajuste del freno de estacionamiento .....
23	Ajustes de desplazamiento .....
24	Ajustes de los controles de aceleración y estrangulación .....
24	Ajuste de la correa .....
24	Alineación de la correa .....
25	Ajustes de la plataforma de corte .....

## Sección 7 - Mantenimiento

27	Tabla de mantenimiento .....
28	Sistema hidráulico .....
30	Acite del motor .....
31	Sistema de combustible del motor .....
31	Filtro de aire del motor .....
32	Batería .....
33	Correas de transmisión .....
33	Cuchillas de corte .....
34	Lantas .....
34	Cuerpo, plataforma y tapicería .....

## Sección 8 - Piezas de repuesto

36-37	Plataformas de corte SFZ48, SFZ52 .....
38-39	Controles de plataforma de corte .....
40-41	Componentes de láminas metálicas .....
42-43	Sistema de protección contra vuelco SFZ .....
44-45	Componentes del sistema de transmisión .....
46-47	Sistema de combustible y sistema eléctrico .....
48-49	Conjunto del eje hidráulico ZT-2800 .....
50-51	Calcomanías de repuesto .....
52	Esquema eléctrico .....

Declaración de garantía .....

Seguidamente la Lista de partes ilustrada



## TABLA DE CONTENIDO

TEMA	PÁGINA
<b>Sección 1 - Información general</b>	
1.1 Introducción .....	1
1.2 Referencia de instrucciones .....	1
1.3 Servicio al motor y a los componentes del tren de transmisión .....	1
1.3 Símbolos .....	2-3
<b>Sección 2 - Información de seguridad</b>	
2.1 Introducción .....	4
2.2 Palabras de señalización .....	4
2.3 Consideraciones previas a la operación .....	4
2.4 Consideraciones de operación .....	5
2.5 Sistema de protección contra vuelco .....	7
2.6 Consideraciones de mantenimiento .....	8
2.7 Calcomanías instructivas y de seguridad .....	9
<b>Sección 3 - Especificaciones</b>	10-11
<b>Sección 4 - Instrucciones de operación</b>	
4.1 Identificación de controles e instrumentos .....	12
4.2 Sistema de bloqueo de seguridad .....	13
4.3 Procedimientos de arranque inicial .....	14
4.4 Arranque del motor .....	14
4.5 Desplazamiento en el terreno y dirección .....	14
4.6 Conexión de la transmisión de plataforma .....	15
4.7 Operación en una cuesta .....	16
4.8 Estacionamiento del cortacésped .....	16
4.9 Después de la operación .....	16
4.10 Retiro del material atascado .....	17
4.11 Desplazamiento del cortacésped con el motor detenido .....	17
4.12 Recomendaciones para cortar el césped .....	17
4.13 Ajuste de la altura de corte .....	17
4.14 Remolque .....	18
<b>Sección 5 - Identificación de fallas en las condiciones de corte</b>	19-21

Quando se refiera a este producto siempre use el número de serie completo que aparece en la etiqueta de número de serie.

SFZ48-19KA con números de serie de D1700001 a D1799999  
SFZ48-26BS con números de serie de D1500001 a D1599999  
SFZ52-19KA con números de serie de D1900001 a D1999999  
SFZ52-26BS con números de serie de D1800001 a D1899999  
SMFZ-48 con números de serie de D1600001 a D1699999  
SMFZ-52 con números de serie de D2000001 a D2099999

Este manual cubre las instrucciones de operación y la lista de partes ilustradas para:

El control de riesgos y la prevención de accidentes dependen del conocimiento, el interés, la prudencia, y el entrenamiento apropiado del personal relacionado con la operación, el transporte, mantenimiento y almacenamiento del equipo.

**RECUERDE - ¡SU CORTACÉSPED ES TAN SEGURO COMO EL OPERADOR!**

## **EL INCUMPLIMIENTO DE LAS PRÁCTICAS SEGURAS DE OPERACIÓN PUEDE RESULTAR EN LESIONES GRAVES.**

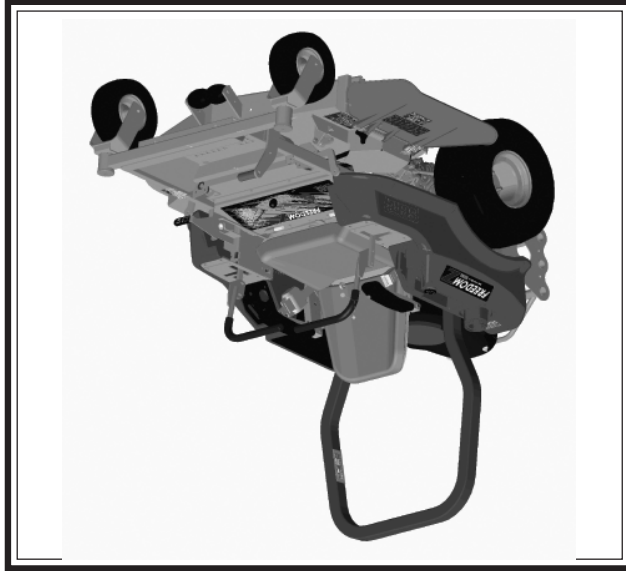
- \* Lea este manual completamente así como cualquier otro manual proporcionado con su cortacésped.
- \* NO opere en pendientes empinadas. Para probar si puede trabajar en una cuesta, trate de retroceder (con la plataforma de corte baja). Si la máquina puede retroceder por la pendiente sin que las ruedas se resbalen, reduzca la velocidad y opere con extremo cuidado. Bajo ninguna circunstancia la máquina debe ser operada en cuestas mayores a 15 grados. SIEMPRE CUMPLA CON LAS OPERACIONES APROBADAS POR OSHA.
- \* No corte en césped mojado. El césped mojado reduce la tracción y el control de dirección.
- \* Mantenga todas las guardas en su posición, especialmente la de la tolva de descarga de césped.
- \* Antes de realizar cualquier mantenimiento o servicio, detenga la máquina y quite el cable de la bujía y la llave de encendido.
- \* Si un mecanismo se atasca, detenga el motor antes de limpiar.
- \* Mantenga las manos, los pies y la ropa lejos de las partes móviles.
- \* Mantenga a otras personas alejadas del tractor (sólo una persona debe usarlo a la vez).

# **ADVERTENCIA:**



# MANUAL DEL OPERADOR

ESTE MANUAL CONTIENE LAS INSTRUCCIONES DE OPERACIÓN Y LA INFORMACIÓN DE SEGURIDAD PARA SU CORTACÉSPED SCAG. LA LECTURA DE ESTE MANUAL LE PUEDE AYUDAR EN EL MANTENIMIENTO Y LOS PROCEDIMIENTOS DE AJUSTE A FIN DE MANTENER SU CORTACÉSPED TRABAJANDO A LA MÁXIMA EFICIENCIA. LOS MODELOS ESPECÍFICOS CUBIERTOS POR ESTE MANUAL ESTÁN INDICADOS EN LA CUBIERTA INTERIOR. ANTES DE OPERAR SU MÁQUINA, LEA TODA LA INFORMACIÓN INCLUIDA.



MODELO SFZ

Freedom Z  
Made in the USA by SCAG

## Free Manuals Download Website

<http://myh66.com>

<http://usermanuals.us>

<http://www.somanuals.com>

<http://www.4manuals.cc>

<http://www.manual-lib.com>

<http://www.404manual.com>

<http://www.luxmanual.com>

<http://aubethermostatmanual.com>

Golf course search by state

<http://golfingnear.com>

Email search by domain

<http://emailbydomain.com>

Auto manuals search

<http://auto.somanuals.com>

TV manuals search

<http://tv.somanuals.com>