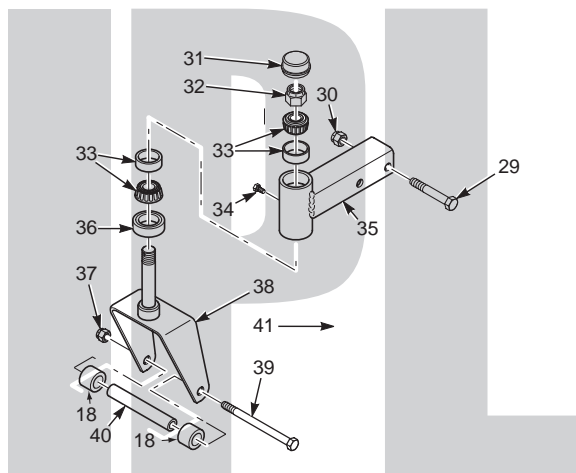


SCAG[®]

POWER EQUIPMENT



ILLUSTRATED PARTS MANUAL



Model STT-Diesel Turf Tiger

THIS MANUAL CONTAINS THE ILLUSTRATED PARTS LIST FOR MODELS:

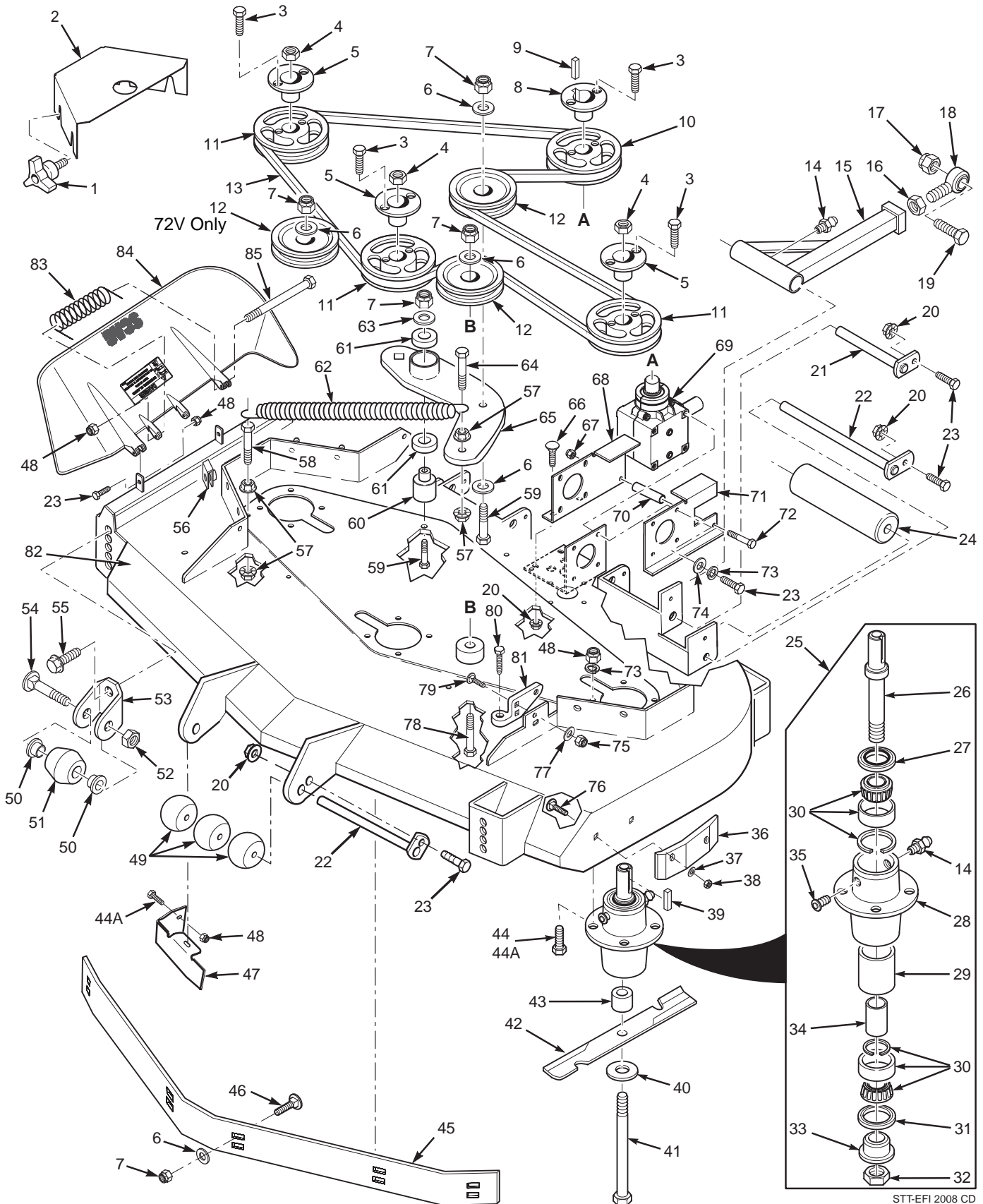
STT61V-28CAT-SS
STT61V-25KBD-SS
STT-28CAT-SS
SMT-72V

with a serial number of **E2000001 to E2099999**
with a serial number of **E3800001 to E3899999**
with a serial number of **E2100001 to E2199999**
with a serial number of **E2300001 to E2399999**

Table of Contents

| | |
|---|----|
| 61V & 72V CUTTER DECK..... | 2 |
| CUTTER DECK CONTROLS | 4 |
| SHEET METAL COMPONENTS | 6 |
| SSTT ROLL-OVER PROTECTION SYSTEM - WITH SUSPENSION SEAT | 8 |
| DECK DRIVE COMPONENTS | 10 |
| ENGINE & ATTACHING PARTS - CAT DIESEL | 12 |
| RADIATOR & ATTACHING PARTS - CAT DIESEL..... | 14 |
| ENGINE & ATTACHING PARTS - KUBOTA DIESEL | 16 |
| BRAKE AND STEERING COMPONENTS | 18 |
| FUEL AND HYDRAULIC SYSTEM - CAT DIESEL..... | 20 |
| FUEL AND HYDRAULIC SYSTEM - KUBOTA DIESEL | 22 |
| BDP-16A HYDRAULIC PUMP ASSEMBLY WITH COOLING FAN..... | 24 |
| ELECTRICAL SYSTEM - CAT DIESEL | 26 |
| ELECTRICAL SYSTEM - KUBOTA DIESEL | 28 |
| REPLACEMENT DECALS AND INFORMATION PLATES | 30 |
| ELECTRICAL SCHEMATIC - CAT DIESEL | 32 |
| ELECTRICAL SCHEMATIC - KUBOTA DIESEL | 33 |

61V & 72V Cutter Deck

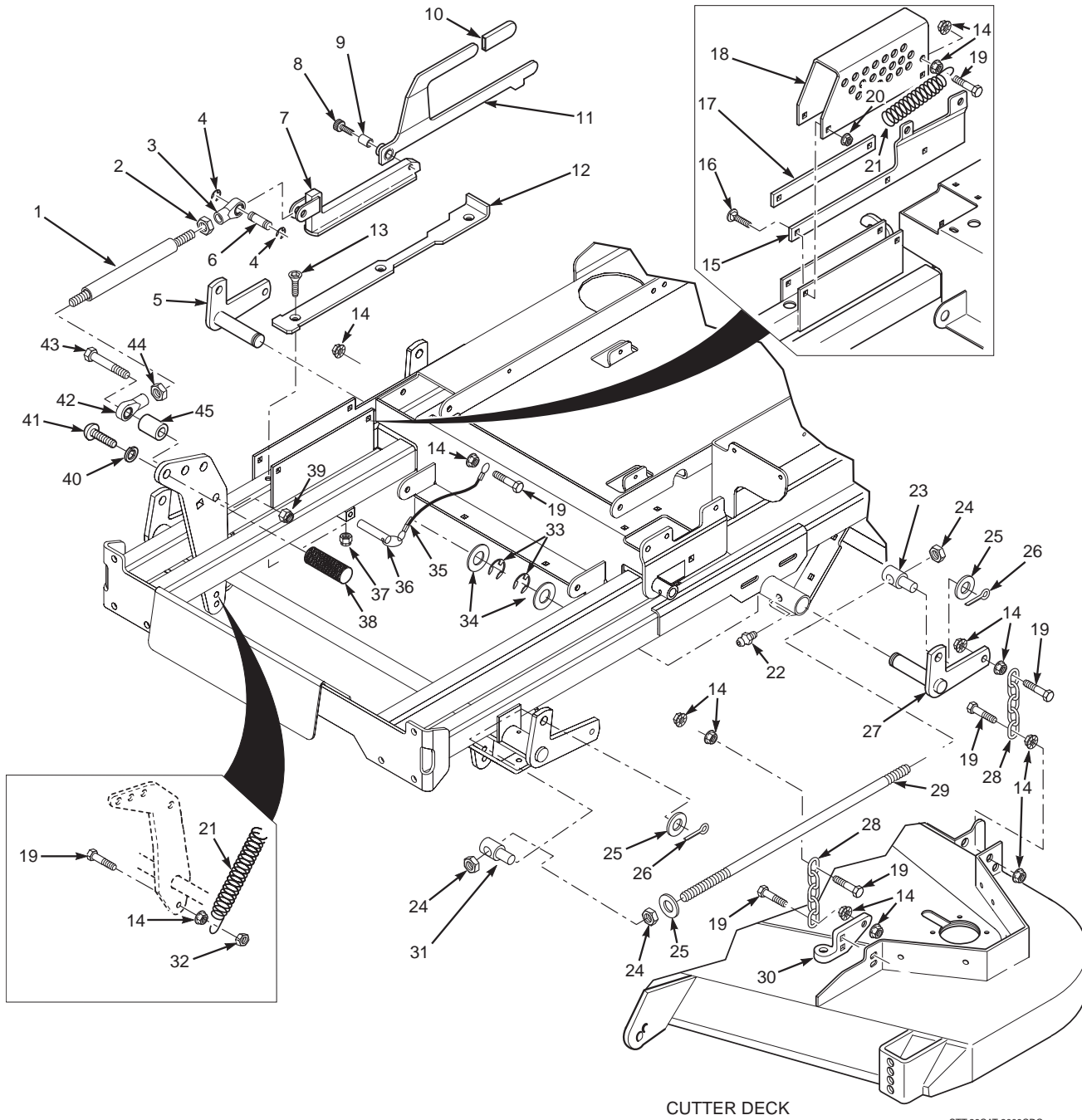


STT-EFI 2008 CD

61V & 72V Cutter Deck

| Ref. No. | Part No. | Description | 61 | 72 | Ref. No. | Part No. | Description | 61 | 72 |
|----------|-----------|---------------------------------------|----|----|----------|---------------------------|--|----|----|
| 1 | 481625-01 | Wing Nut, 3/8-16 | X | X | 45 | 424841 | Baffle, Custom Cut 61V | X | |
| 2 | 424325 | Belt Cover | X | | 424917 | Baffle, Custom Cut 72V | | | X |
| | 422708 | Belt Cover RH | | X | 46 | 04003-23 | Bolt, Carriage 3/8-16 x 1" | X | X |
| | 422677 | Belt Cover LH | | X | 47 | 424209 | Discharge Baffle 61V | X | X |
| 3 | 04001-172 | Bolt, Hex Head 1/4-20 x 1" Grd 8 | X | X | 424856 | Discharge Baffle 72V | X | X | |
| 4 | 04020-09 | Nut, 5/8-11 UNC | X | X | 48 | 04021-22 | Nut, Hex Elastic Stop 5/16-18 Grd 8 | X | X |
| 5 | 48926 | Tapered Hub, 1-1/8" Bore | X | X | 49 | 482295 | Wheel, Anti-Scalp | X | X |
| 6 | 04041-07 | Flatwasher, 3/8" (.391 x .938 x .105) | X | X | 50 | 48100-15 | Bushing, .376 I.D. Oilite | X | X |
| 7 | 04021-09 | Nut, Hex Elastic Stop 3/8-16 | X | X | 51 | 481632 | Anti-Scalp Wheel | X | X |
| 8 | 48141 | Tapered Hub, 1" Bore | X | X | 52 | 04021-05 | Locknut, 3/8-16 Center Lock | X | X |
| 9 | 04063-0 | Key, 1/4 x 1/4 x 1-1/4" | X | X | 53 | 422478 | Anti-Scalp Wheel Bracket | X | X |
| 10 | 482746 | Pulley, 6.75 O.D. | X | | 54 | 04003-26 | Bolt, Carriage 3/8-16 x 4" | X | X |
| | 482747 | Pulley, 6.95 O.D. | | X | 55 | 04017-27 | Bolt, Hex Serrated Flange 3/8-16 x 1" | | X |
| 11 | 482744 | Pulley, 5.75 O.D. - CAT | X | | 56 | 04110-03 | U-Nut, 3/8-16 | X | X |
| | 482745 | Pullwy, 6.35 O.D. - Kubota | X | | 57 | 04019-04 | Nut, Hex Serrated Flange 3/8-16 | X | X |
| | 482746 | Pulley, 6.75 O.D. | | X | 58 | 04001-20 | Bolt, Hex Head 3/8-16 x 1-1/2" | | X |
| 12 | 483215 | Pulley, Idler | X | X | 59 | 04001-54 | Bolt, Hex Head 3/8-16 x 3" | X | X |
| 13 | 483741 | Belt, Cutter Deck Drive - Cat | X | | 60 | 43681 | Pivot, Idler - Short | X | X |
| | 481558 | Belt, Cutter Deck Drive - Kubota | X | | 61 | 48224 | Bearings, Ball | X | X |
| | 481980 | Belt, Cutter Deck Drive | | X | 62 | 483704 | Spring, Cutter Deck | X | X |
| 14 | 48114-04 | Grease Fitting | X | X | 63 | 04043-04 | Flatwasher, 3/8-.39 x .938 x .105 HD | X | X |
| 15 | 461516 | Pusharm (incl. items 14, 16, & 18) | X | X | 64 | 04001-136 | Bolt, Hex Head 3/8-16 x 1-1/2" Grd 8 | X | X |
| 16 | 04020-16 | Nut, Hex Head 5/8-18 UNF | X | X | 65 | 461842 | Idler Arm, Cutter Deck | X | X |
| 17 | 04021-13 | Nut, Hex Elastic Stop 5/8-11 | X | X | 66 | 04003-12 | Bolt, Carriage 5/16-18 x 3/4" | X | X |
| 18 | 48763 | Rod End, 5/8" Male RH Thread | X | X | 67 | 04021-10 | Nut, Elastic Stop 5/16-18 | X | X |
| 19 | 04001-79 | Bolt, Hex Head 5/8-11 x 4-1/2" | X | X | 68 | 424798 | Mounting Plate, RH Gearbox | X | X |
| 20 | 04019-03 | Nut, Hex Serrated Flange 5/16-18 | X | X | 69 | 482486 | Gearbox Assembly, Deck Drive | X | X |
| 21 | 451240 | Push Arm Shaft | X | X | 70 | 43763 | Spacer, Gearbox Mount | X | X |
| 22 | 45944 | Roller Shaft | X | X | 71 | 424799 | Mounting Plate, LH Gearbox | X | X |
| 23 | 04001-12 | Bolt, Hex Head 5/16-18 x 1-3/4" | X | X | 72 | 04001-154 | Bolt, Hex Head 5/16-18 x 4-3/4" | X | X |
| 24 | 48038 | Wheel, Anti-Scalp | X | X | 73 | 04030-03 | Lockwasher, 5/16" | X | X |
| 25 | 461663 | Spindle Assembly | X | X | 74 | 04040-15 | Flatwasher, 5/16" (.375 x .875 x .083) | X | X |
| 26 | 43589 | Spindle Shaft | X | X | 75 | 04021-11 | Nut, Elastic Stop 7/16-14 | X | X |
| 27 | 481024 | Seal, Top | X | X | 76 | 04003-12 | Bolt, Carriage 5/16-18 x 3/4" | X | X |
| 28 | 43644 | Spindle Housing | X | X | 77 | 04040-11 | Flatwasher, 7/16-.500 x 1.25 x .083 | X | X |
| 29 | 43312 | Spacer, Outside | X | X | 78 | 04001-62 | Bolt, Hex Head 3/8-16 x 3-1/4" | X | X |
| 30 | 481022 | Bearing Assembly | X | X | 79 | 04003-40 | Bolt, Carriage 7/16-14 x 1-1/4" | X | X |
| 31 | 481025 | Seal, Bottom | X | X | 80 | 483167 | Bolt, Deck Adjust | X | X |
| 32 | 481035 | Nut, Special 1-1/16-18 | X | X | 81 | 461929 | Lever Assy, Deck Level (Incl. 80) | X | X |
| 33 | 43297 | Spindle Bushing, Bottom | X | X | 82 | 462143 | Cutter Deck 61 V w/Decals | X | |
| 34 | 43296 | Spacer, Inside | X | X | 462144 | Cutter Deck 72 V w/Decals | | X | |
| 35 | 48677 | Relief Fitting, Tapered Spindle | X | X | 83 | 483378 | Spring, Discharge Chute | X | X |
| 36 | 483176 | Wear Pad | X | | 84 | 461846 | Discharge Chute 61V | X | |
| | 483174 | Wear Pad | | X | 462132 | Discharge Chute 72V | | X | |
| 37 | 04040-04 | Flatwasher, 5/16" | X | X | 85 | 04001-108 | Bolt, Hex Head 5/16-18 x 4-1/2" | X | X |
| 38 | 04021-04 | Nut, Center Lock 5/16-18 | X | X | | | | | |
| 39 | 04063-08 | Key, 1/4 x 1/4 x 2" | X | X | | | | | |
| 40 | 04043-06 | Flatwasher, 5/8" Hardened | X | X | | | | | |
| 41 | 04001-41 | Bolt, Hex Head 5/8-11 x 9-1/2" | X | X | | | | | |
| 42 | 482879 | Cutter Blade, 21" | X | | | | | | |
| | 482882 | Cutter Blade, 24.5" | | X | | | | | |
| 43 | 43590 | Spacer, Spindle Bottom | X | X | | | | | |
| 44 | 04001-176 | Bolt, Hex Head 5/16-18 x | | | | | | | |

CUTTER DECK CONTROLS

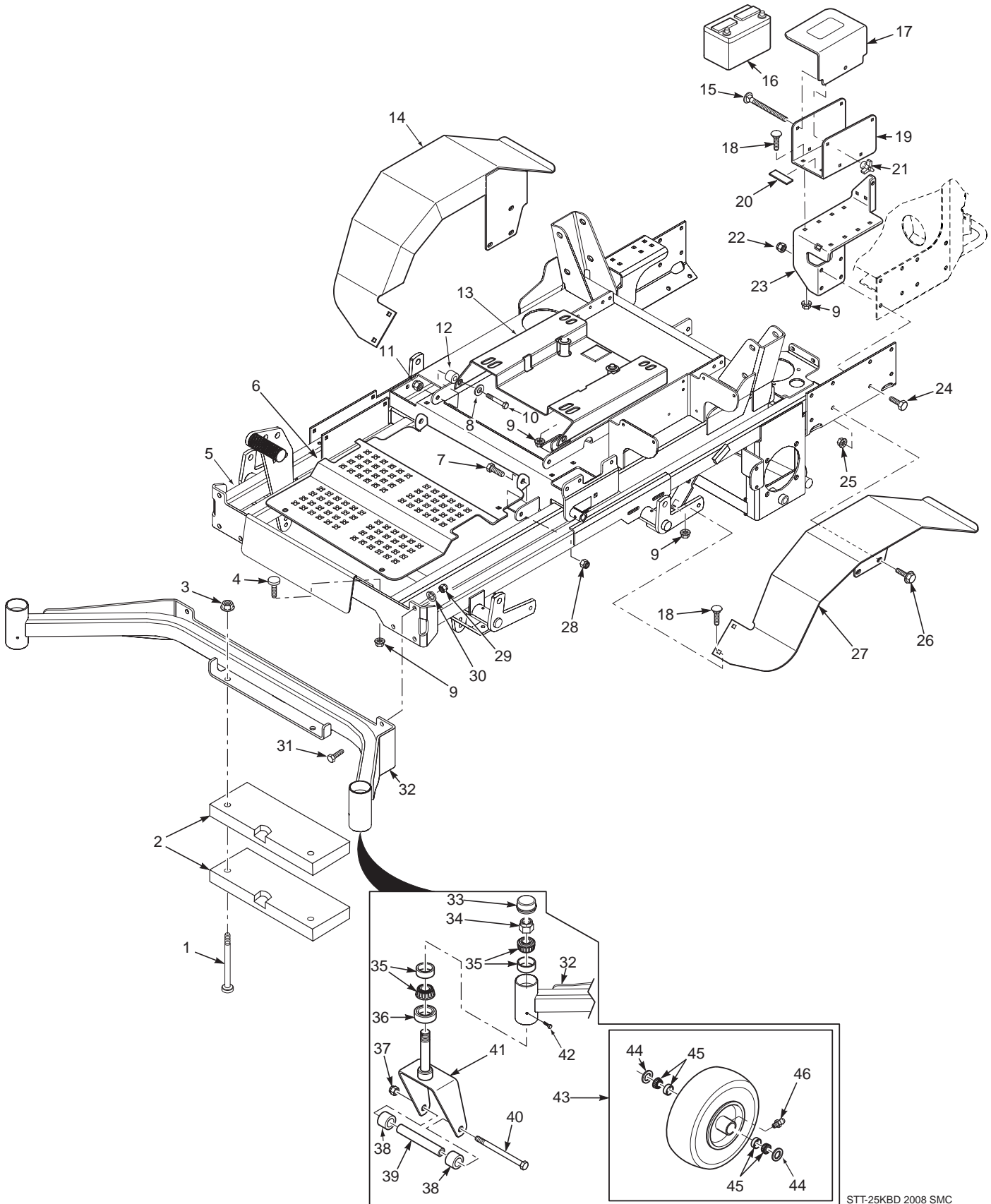


STT-28CAT 2008CDC

CUTTER DECK CONTROLS

| Ref. No. | Part No. | Description |
|----------|-----------|--|
| 1 | 481764 | Link, Deck Lift |
| 2 | 04020-28 | Nut, Jam 1/2-20 LH |
| 3 | 481766 | Rod End, Female - 1/2-20 LH |
| 4 | 04050-10 | Ring, Retaining 1/2" External "E" |
| 5 | 45905 | Bellcrank Weldment, RH Rear |
| 6 | 43487 | Pin, Decklift |
| 7 | 482429 | Slide Weldment, Height Adjustment |
| 8 | 04009-02 | Bolt, Shoulder 1/2 x 3/4" |
| 9 | 48100-14 | Bushing, .502 ID. |
| 10 | 481428 | Grip, Deck Latch |
| 11 | 462102 | Deck Latch (Includes items 9 & 10) |
| 12 | 424857 | Lockplate, Decklift |
| 13 | 04014-03 | Screw, Cap 5/16-18 x 3" FHHS |
| 14 | 04019-04 | Nut, Hex Serrated Flange 3/8-16 |
| 15 | 423509 | Guide, Long |
| 16 | 04003-04 | Bolt, Carriage 5/16-18 x 1" |
| 17 | 422381 | Guide, Short |
| 18 | 423463 | Bracket, Cutting Height Adjustment |
| 19 | 04001-20 | Bolt, Hex Head 3/8-16 x 1-1/2" |
| 20 | 04019 -03 | Nut, Hex Serrated Flange 5/16-18 |
| 21 | 481598 | Spring, Helper (61" & 72" Cutter Decks Only) |
| 22 | 48114-04 | Grease Fitting |
| 23 | 43526 | Swivel Joint, LH |
| 24 | 04020-09 | Nut, Hex 5/8-11 |
| 25 | 04040-09 | Flatwasher, 5/8" (.656 x 1.312 x .095) |
| 26 | 04061-07 | Cotter Pin, 3/16 x 1" |
| 27 | 45904 | Bellcrank Weldment, LH Rear |
| 28 | 48540 | Chain |
| 29 | 04004-48 | Stud, 5/8-11 x 26.0" |
| 30 | 461929 | Lever Assembly, Deck Level |
| 31 | 43527 | Swivel Joint, RH |
| 32 | 04021-05 | Locknut, 3/8-16 Center Lock |
| 33 | 04050-08 | Ring, Retaining 1" External "E" |
| 34 | 04041-14 | Flatwasher, 1" (1.062 x 1.50 x .048) |
| 35 | 481547 | Lanyard, Deck Height Pin |
| 36 | 04067-09 | Ring Pin, 1/2 x 3.06" |
| 37 | 04021-09 | Nut, 3/8-16 Elastic Stop |
| 38 | 424504 | Foot Pedal, Height Adjustment |
| 39 | 04021-07 | Nut, Hex Elastic Stop 1/2-13 |
| 40 | 04030-07 | Lockwasher, 5/8" |
| 41 | 04105-01 | Capscrew, 5/8-11 x 1-1/2" |
| 42 | 481765 | Rod End, Female - 1/2-20 RH |
| 43 | 04001-74 | Bolt, Hex Head 1/2-13 x 3" |
| 44 | 04020-27 | Nut, Jam 1/2-20 RH |
| 45 | 43391 | Spacer, Decklift Pedal |

SHEET METAL COMPONENTS

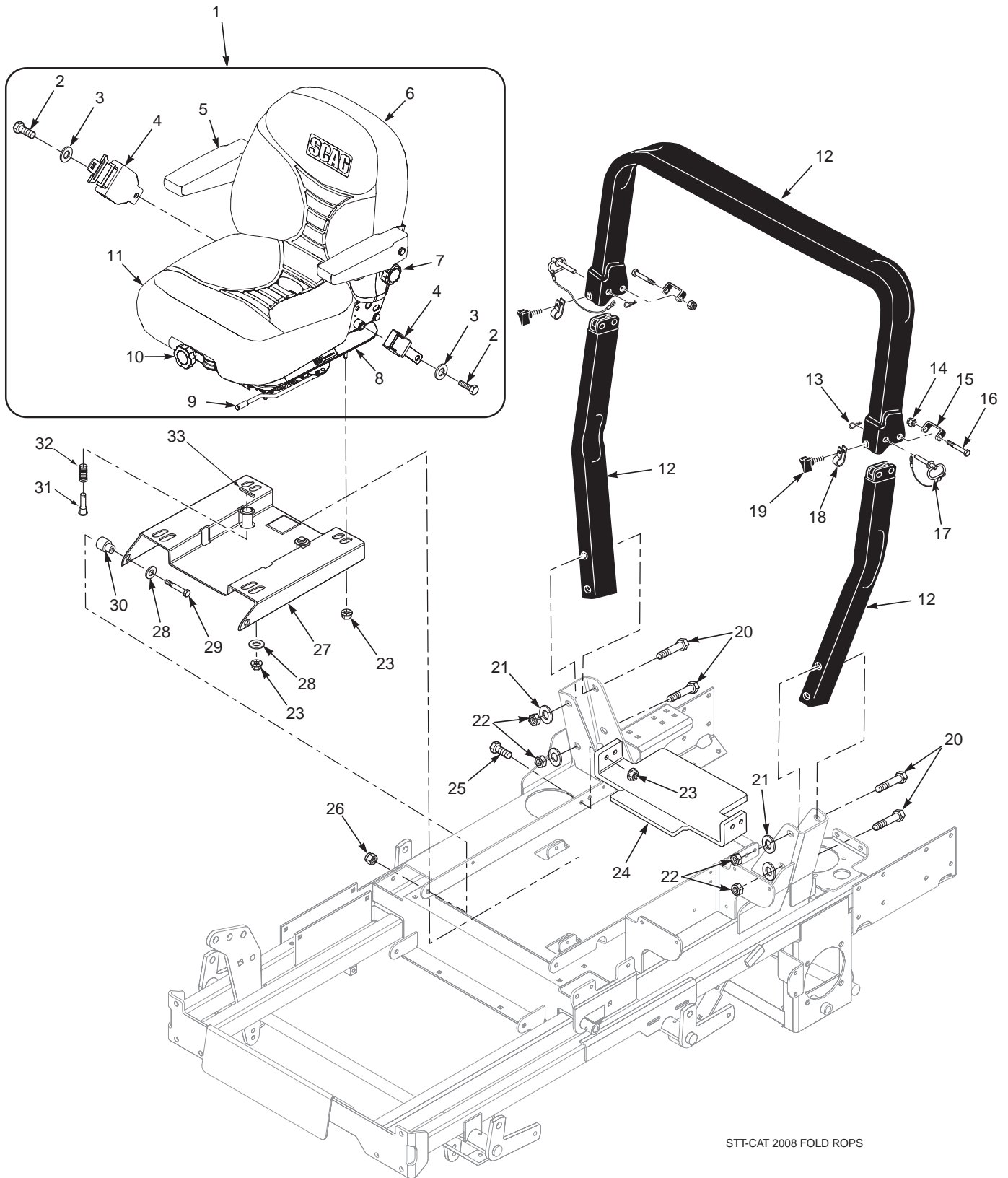


STT-25KBD 2008 SMC

SHEET METAL COMPONENTS

| Ref. No. | Part No. | Description |
|----------|-----------|--|
| 1 | 04014-06 | Bolt, Hex Head 1/2-13 x 3.5" |
| 2 | 41020 | Weight |
| 3 | 04019-06 | Nut, Hex Elastic Stop 1/2-13 |
| 4 | 481284 | Bumper, Rubber 5/16-18 x 5/8" |
| 5 | 462145 | Main Frame Assembly w/Decals |
| 6 | 424847 | Foot Plate |
| 7 | 04001-19 | Bolt, Hex Head 3/8-16 x 1" |
| 8 | 04041-07 | Flatwasher, 3/8-.391 x .938 x .105 |
| 9 | 04019-03 | Nut, Hex Serrated Flange 5/16-18 |
| 10 | 04001-45 | Bolt, Hex Head 3/8-16 x 2.0" |
| 11 | 04021-09 | Nut, Elastic Stop 3/8-16 |
| 12 | 43606 | Spacer Bushing |
| 13 | 462147 | Seat Plate Weldment w/Decal |
| 14 | 451481 | Fender Weldment, RH |
| 15 | 04003-01 | Bolt, Carriage 1/4-20 x 6" |
| 16 | * | Battery (not avail. through Scag) |
| 17 | 422682 | Cover, Battery |
| 18 | 04003-12 | Bolt, Carriage 5/16-18 x 3/4" |
| 19 | 462007 | Plate, Battery Box |
| 20 | 48661 | Rubber Pad |
| 21 | 04029-01 | Wing Nut, 1/4-20 x 3/4" |
| 22 | 04021-09 | Nut, Elastic Stop 3/8-16 |
| 23 | 424488 | Battery Box Mount |
| 24 | 04001-19 | Bolt, Hex Head 3/8-16 x 1" |
| 25 | 04019-04 | Nut, Hex Serrated Flange 3/8-16 |
| 26 | 04017-27 | Screw, Hex Serrated Flange 3/8-16 x 1" |
| 27 | 451480 | Fender Weldment, LH |
| 28 | 04021-09 | Nut, Hex Elastic Stop 3/8-16 |
| 29 | 04021-11 | Nut, Elastic Stop 7/16-14 |
| 30 | 04030-05 | Lockwasher, 7/16" |
| 31 | 04001-28 | Bolt, Hex Head 7/16-14 x 1-1/4" |
| 32 | 451992 | Extention Weldment, Caster (Use with 61" Deck) |
| | 451993 | Extention Weldment, Caster (Use with 72" Deck) |
| 33 | 481559 | Cap, Grease |
| 34 | 04021-20 | Nut, Hex Elastic Stop 1.0"-14 |
| 35 | 481657 | Bearing W/Race |
| 36 | 481025 | Seal, 2.00" OD. x 1.625" Bore |
| 37 | 04021-07 | Nut, Hex Elastic Stop 1/2-13 |
| 38 | 43584 | Spacer, Caster Wheel |
| 39 | 43583 | Sleeve, Caster Wheel (61V) |
| 40 | 04001-167 | Bolt, Hex Head 1/2-13 x 9-1/2" (61V) |
| 41 | 451416 | Yoke Weldment, Caster (61V) |
| 42 | 482028-01 | Plug, 1/4-28 THD Form |
| 43 | 92785 | Wheel Assembly, (Inc. 44, 45, & 46) |
| 44 | 482622 | Seal |
| 45 | 482621 | Bearing w/ Race |
| 46 | 48114-10 | Grease Fitting |

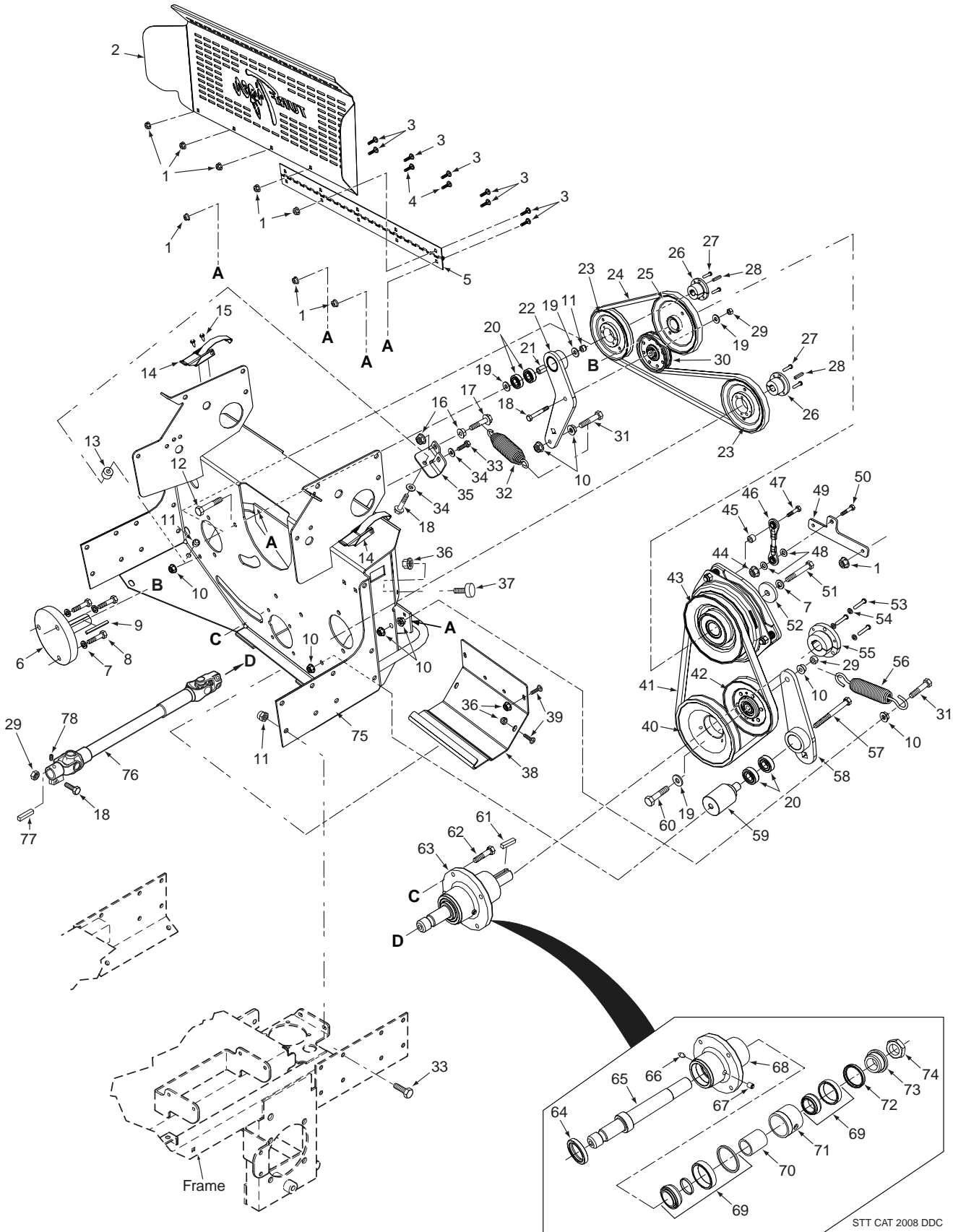
STT ROLL-OVER PROTECTION SYSTEM - with SUSPENSION SEAT



STT ROLL-OVER PROTECTION SYSTEM - with SUSPENSION SEAT

| Ref. No. | Part No. | Description |
|----------|-----------|--|
| 1 | 9292 | Suspension Seat Assembly w/seat belt |
| 2 | 04001-178 | Bolt, Hex Head 7/16-20 x 1" |
| 3 | 04040-11 | Flatwasher, 7/16-.500 x 1.25 x .083 |
| 4 | 483594 | Retractable Seat Belt |
| 5 | 482950 | Armrest Only |
| | 482945 | Armrest Assembly Kit, LH |
| | 482946 | Armrest Assembly Kit, RH |
| 6 | 482940 | Back Cushion Kit |
| 7 | 482943 | Lumbar Kit |
| | 482948 | Knob Kit |
| 8 | 482942 | Shock Absorber Kit |
| 9 | 482952 | Seat Adjustment, Track Set |
| 10 | 482944 | Weight Adjustment Kit |
| | 482948 | Knob Kit |
| 11 | 482941 | Seat Cushion Kit |
| | | Seat Drain Kit (Included with Seat Cushion) |
| 12 | 9514 | STT, ROPS Accessory (incl. items 13 thru 22) |
| 13 | 04062-06 | Hair Pin, Cotter |
| 14 | 04021-19 | Nut, Center Lock 1/2-13 |
| 15 | 424407 | Bracket, Stop |
| 16 | 04001-145 | Bolt, Hex Head 1/2-13 x 3-1/2" |
| 17 | 483262 | Pin |
| 18 | 483265 | Clamp |
| 19 | 481625-03 | Thumb Screw, 5/16-18 NC x 3/4" |
| 20 | 04001-82 | Bolt, Hex Head 1/2-13 x 4-1/2" |
| 21 | 04040-13 | Flatwasher, 1/2-.562 x 1.375 x .109 |
| 22 | 04021-19 | Nut, Center Lock 1/2-13 |
| 23 | 04019-03 | Nut, Serrated Flange 5/16-18 |
| 24 | 461968 | Bracket, Seat Hold Down with Decal |
| 25 | 04001-09 | Bolt, Hex Head 5/16-18 x 1" |
| 26 | 04021-09 | Nut, Elastic Stop 3/8-16 |
| 27 | 462147 | Seat Plate Weldment w/Decal |
| 28 | 04041-07 | Flatwasher, 3/8-.391 x .938 x .105 |
| 29 | 04001-45 | Bolt, Hex Head 3/8-16 x 2" |
| 30 | 43606 | Spacer Bushing |
| 31 | 43477 | Pin Retainer, Spring |
| 32 | 481389 | Spring, Seat |
| 33 | 04060-01 | Roll Pin, Spring 5/32 x 3/4" |

DECK DRIVE COMPONENTS

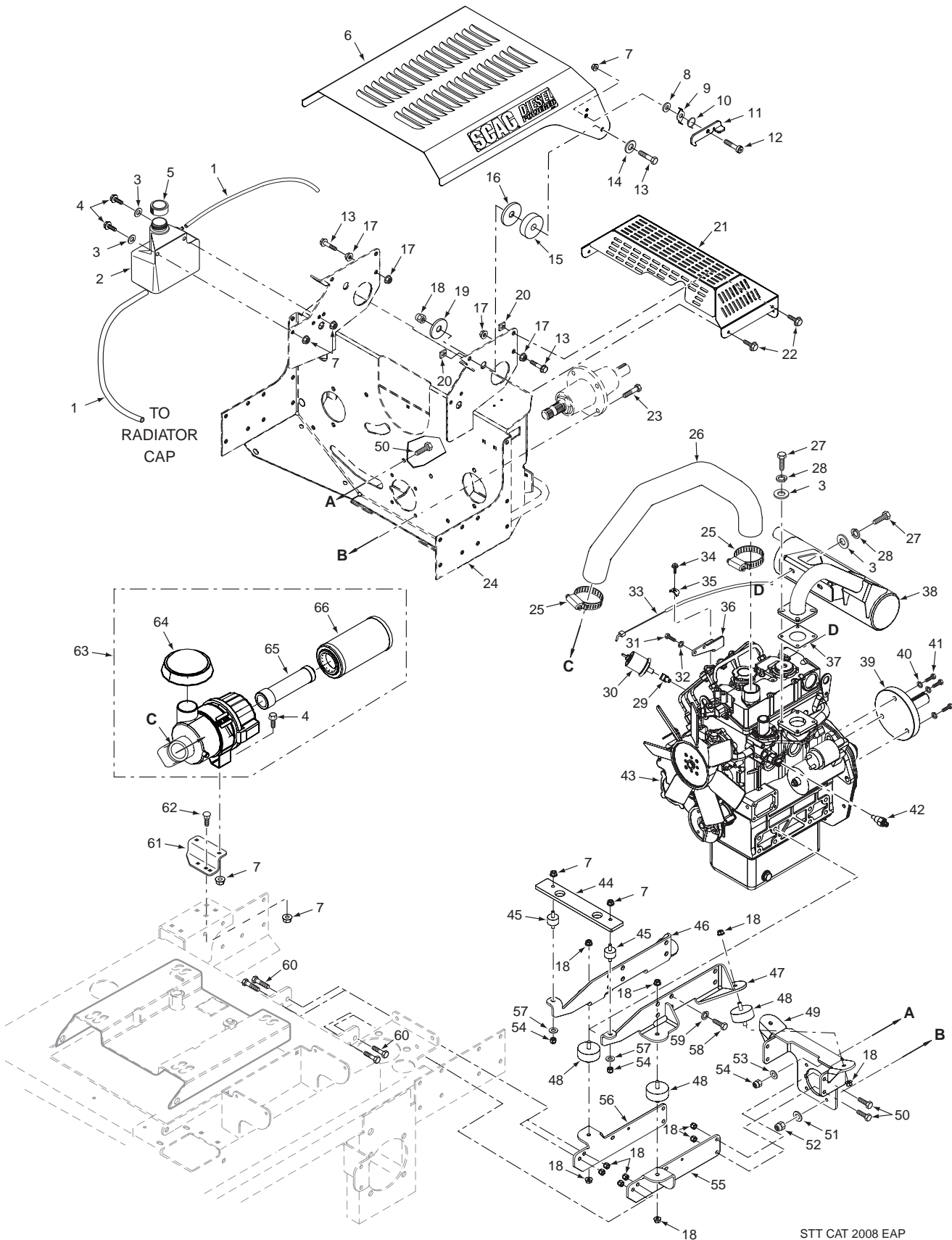


STT CAT 2008 DDC

DECK DRIVE COMPONENTS

| Ref. No. | Part No. | Description | Ref. No. | Part No. | Description |
|----------|-----------|---|----------|-----------|---|
| 1 | 04019-02 | Nut, Serrated Flange 1/4-20 | 46 | 482433 | Rod Assembly, Clutch Anti-Rotation |
| 2 | 423925 | Belt Guard, Rear | 47 | 04001-11 | Bolt, Hex Head 5/16-18 x 1-1/2" |
| 3 | 04003-07 | Bolt, Carriage 1/4-20 x 1/2" | 48 | 04040-04 | Flatwasher, 5/16" |
| 4 | 04003-02 | Bolt, Carriage 1/4-20 x 3/4" | 49 | 423465 | Bracket, Anchor, Anti-Rotation |
| 5 | 481531 | Hinge, Belt Guard | 50 | 04001-10 | Bolt, Hex Head 5/16-18 x 1-1/4" |
| 6 | 43772 | Stub Shaft, (Cat) | 51 | 04102-03 | Bolt, Hex Head 7/16-20 x 2-1/4" |
| | 482334 | Stub Shaft, (Kubota) | 52 | 04041-28 | Flatwasher, 7/16-.469 x 1.75 x .25 |
| 7 | 04030-05 | Lockwasher, 7/16" Spring | 53 | 04001-109 | Bolt, Hex Head 1/4-20 x 1-3/8" |
| 8 | 04002-26 | Bolt, Hex Head M10 x 1.5 x 35 | 54 | 04030-02 | Lockwasher, 1/4" Spring |
| 9 | 04063-23 | Key, 1/4 x 1/4 x 3-1/4" | 55 | 481536 | Tapered Hub, 1" Bore |
| 10 | 04019-04 | Nut, Serrated Flange 3/8-16 | 56 | 483430 | Spring, PTO |
| 11 | 04021-09 | Nut, Elastic Stop 3/8-16 | 57 | 04001-171 | Bolt, Hex Head 3/8-16 x 4-1/2" Grd 8 |
| 12 | 04001-135 | Bolt, Hex Head 3/8-16 x 1-3/4" Grd 8 | 58 | 461609 | Idler Arm Weldment, PTO Drive |
| 13 | 43286 | Spacer | 59 | 43632 | Pivot, Idler PTO |
| 14 | 481309 | Latch, Hood | 60 | 04001-170 | Bolt, Hex Head 3/8-16 x 2-1/2" Grd 8 |
| 15 | 04011-11 | Screw, #10-32 x .56 | 61 | 04063-06 | Key, 1/4 x 1/4 x 1-1/2" |
| 16 | 04019-06 | Nut, Serrated Flange 1/2-13 | 62 | 04001-176 | Bolt, Hex Head 5/16-18 x 1-3/4" Grd 8 |
| 17 | 04001-185 | Bolt, Hex Head 1/2-13 x 2" Grd 8 | 63 | 461665 | Spindle Assembly, Deck Drive |
| 18 | 04001-21 | Bolt, Hex Head 3/8-16 x 1-3/4" | 64 | 481024 | Seal, 2.0 OD x 1.5 Bore |
| 19 | 04043-04 | Washer, 3/8" Hardened | 65 | 43534 | Shaft, Deck Drive |
| 20 | 48224 | Ball Bearing | 66 | 48114-04 | Grease Fitting, 1/4-28 |
| 21 | 43631 | Spacer, Idler Bearing | 67 | 48677 | Relief Fitting |
| 22 | 461608 | Idler Arm Weldment, Pump Drive | 68 | 43644 | Spindle Housing |
| 23 | 482744 | Pulley, 5.75" O.D. - CAT | 69 | 481022 | Roller Bearing Tapered |
| | 482745 | Pulley, 6.35" O.D. - Kubota | 70 | 43296 | Spacer, Inside |
| 24 | 483735 | Belt, Pump Drive - CAT | 71 | 43312 | Spacer, Outside |
| | 483678 | Belt, Pump Drive - Kubota | 72 | 481025 | Seal, 2.0 OD x 1.625 Bore |
| 25 | 483732 | Pulley, 6.35 Dia. - 1.125 Bore - CAT | 73 | 43297 | Spindle Bushing, Bottom |
| | 483855 | Pulley, 5.98 Dia. - 1.125 Bore - Kubota | 74 | 481035 | Nut, 1.06-18 Thread |
| 26 | 481884 | Tapered Hub, 17mm Bore | 75 | 452005 | Pump Mounting Plate Weldment (Cat Engine) |
| 27 | 04001-172 | Bolt, Hex Head 1/4-20 x 1" Grd 8 | | | Driveshaft (Cat Engine) |
| 28 | 04063-27 | Key, 5 x 5 x 35 mm | 76 | 482438 | Key, 1/4 x 1/4 x 1" |
| 29 | 04021-05 | Nut, Center Lock 3/8-16 | 77 | 04063-20 | Set Screw, 3/8-16 x 3/4" Torx Socket |
| 30 | 483214 | Pulley, Idler 4" Dia. | 78 | 04012-08 | |
| 31 | 04001-136 | Bolt, Hex Head 3/8-16 x 1-1/2" Grd 8 | | | |
| 32 | 483088 | Spring, Transmission Idler | | | |
| 33 | 04001-19 | Bolt, Hex Head 3/8-16 x 1" | | | |
| 34 | 04041-07 | Flatwasher, 3/8-.391 x .938 x .105 | | | |
| 35 | 424764 | Bracket | | | |
| 36 | 04019-03 | Nut, Serrated Flange 5/16-18 | | | |
| 37 | 481284 | Bumper, Rubber | | | |
| 38 | 424691 | Cover, Rear | | | |
| 39 | 04003-12 | Bolt, Carriage 5/16-18 x 3/4" | | | |
| 40 | 481398 | Pulley, 6.35 Tapered Bore | | | |
| 41 | 481460 | Belt, Deck Drive | | | |
| 42 | 48181 | Pulley, Idler 5" Dia. | | | |
| 43 | 462011 | Clutch, Ogura GT 3.5 - 1.125 Bore | | | |
| 44 | 04021-10 | Nut, Hex Elastic Stop 5/16-18 | | | |
| 45 | 43587 | Spacer | | | |

ENGINE & ATTACHING PARTS - CAT DIESEL



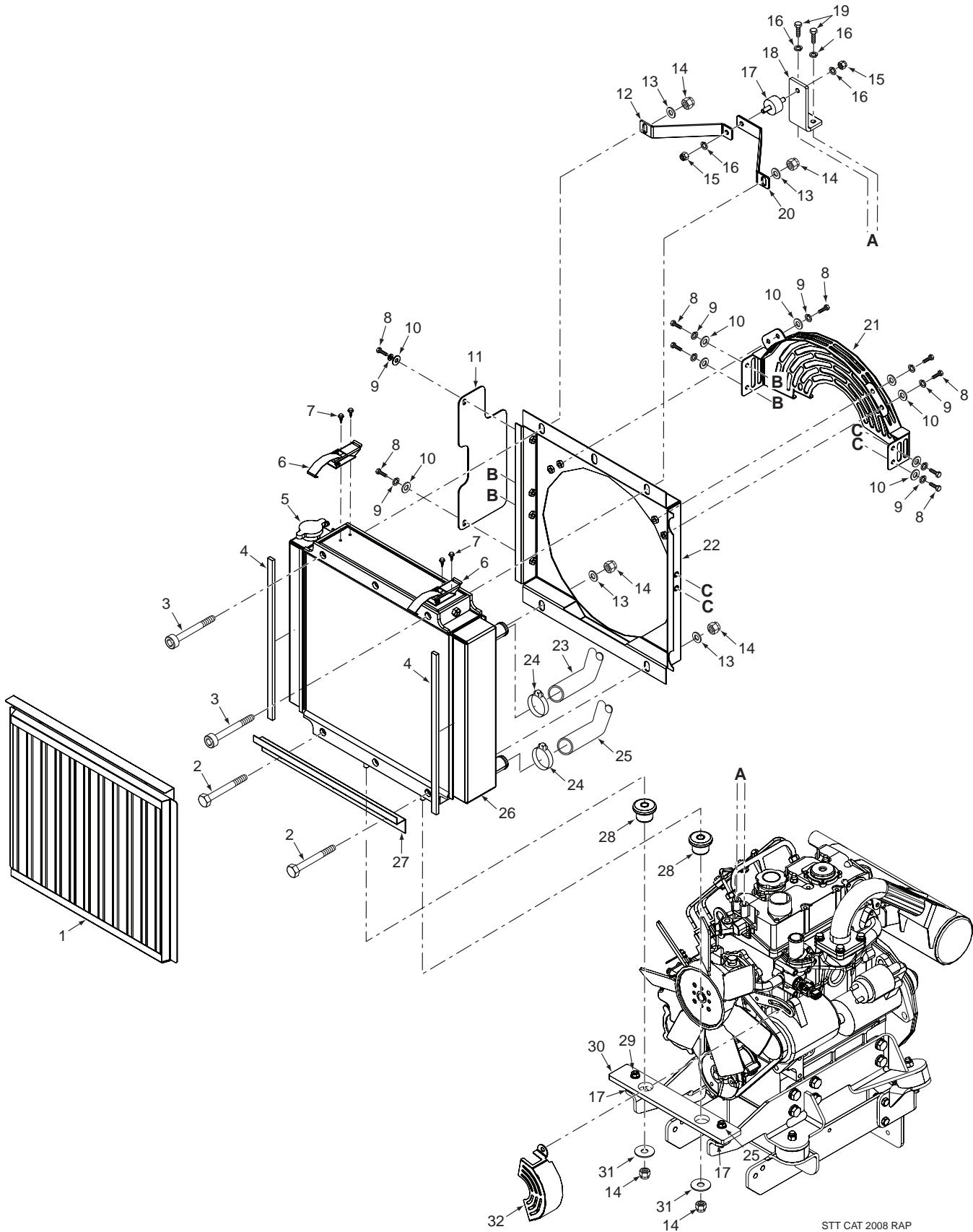
STT CAT 2008 EAP

ENGINE & ATTACHING PARTS - CAT DIESEL

| Ref. No. | Part No. | Description | Ref. No. | Part No. | Description |
|----------|-----------|---|----------|----------|---|
| 1 | | ** Hose, Coolant Resrvoir Bottle | 46 | 424907 | Mounting Bracket Weldment RH |
| 2 | | ** Coolant Reservoir Bottle | 47 | 424906 | Mounting Bracket Weldment LH |
| 3 | 04040-04 | Flatwasher, SAE 5/16-.344 x .688 x .065 | 48 | 483351 | Mount, Engine Isolation |
| 4 | 04017-16 | Bolt, Hex Head Serr. Flng 5/16-18 x 3/4" | 49 | 424452 | Plate, Rear Engine Mount |
| 5 | | ** Cap, Coolant Reservoir Bottle | 50 | 04001-19 | Bolt, Hex Head 3/8-16 x 1" |
| 6 | 462116 | Hood Assembly w/Decals (incl. 8, 9, 10, 11, 12, and 13) | 51 | 04040-15 | Flatwasher, 5/16" (.375 x .875 x .083) |
| 7 | 04019-03 | Nut, Serrated Flange 5/16-18 | 52 | 04021-22 | Nut, Elastic Stop 5/16-18 Grade 8 |
| 8 | 04040-05 | Flatwasher, 3/8-.406 x .812 x .065 | 53 | 04030-04 | Lockwasher, 3/8" Spring |
| 9 | 424634 | Lock, Hood Latch | 54 | 04021-09 | Nut, Elastic Stop 3/8-16 |
| 10 | 483507 | Spring, Hood Latch | 55 | 424449 | Plate, Engine Mount LH |
| 11 | 424633 | Latch, Hood | 56 | 424448 | Plate, Engine Mount RH |
| 12 | 04009-07 | Bolt, Shoulder 5/16-18 x 1/2" | 57 | 04041-11 | Flatwasher, 3/8" (.406 x 1.50 x 7 ga) |
| 13 | 04001-21 | Bolt, Hex Head 3/8-16 x 1-3/4" | 58 | 04002-24 | Bolt, Hex Head M12-1.25 X 25mm |
| 14 | 04041-07 | Flatwasher, 3/8-.391 x .938 x .105 | 59 | 04030-06 | Lockwasher, 1/2" Spring |
| 15 | 43740 | Spacer, Hood | 60 | 04001-19 | Bolt, Hex Head 3/8-16 x 1" |
| 16 | 483471 | Disc, Anti Friction | 61 | 424497 | Bracket, Air Cleaner Mount |
| 17 | 04019-04 | Nut, Serrated Flange 3/8-16 | 62 | 04003-12 | Bolt, Carriage 5/16-18 x 3/4" |
| 18 | 04021-09 | Nut, Elastic Stop 3/8-16 | 63 | 483485 | Air Filter Assembly (Enginaire p/n 68665) |
| 19 | 04041-11 | Flatwasher, 3/8-.406 x 1.50 x 7 Gauge | 64 | 483635 | Rain Cap (Enginaire p/n 68381) |
| 20 | 04110-01 | U-Nut, 1/4"-20 | 65 | 483636 | Air Filter, Inner (Enginaire p/n 68300) |
| 21 | 424910 | Muffler Guard | 66 | 483637 | Air Filter, Outer (Enginaire p/n 68340) |
| 22 | 04017-05 | Bolt, Hex Head Serrated Flange, 1/4-20 x 3/4" | | | |
| 23 | 04001-176 | Bolt, Hex Head 5/16-18 x 1-3/4" Grd 8 | | | |
| 24 | 452005 | Pump Mounting Plate Weldment (Cat Engine) | | | |
| 25 | 48136-09 | Clamp, 2-1/4" Max. Dia. | | | |
| 26 | 483713 | Hose, Air Intake | | | |
| 27 | 04002-12 | Bolt, Hex Head M8-1.25 x 20 | | | |
| 28 | 04030-03 | Lockwasher, 5/16" Spring | | | |
| 29 | 483433 | Elbow, 45 Degree | | | |
| 30 | 481811 | Oil Pressure Sender | | | |
| 31 | 04002-21 | Bolt, Hex Head M6-1.0 x 16 | | | |
| 32 | 04030-02 | Lockwasher, 1/4" Spring | | | |
| 33 | 483746 | Throttle Cable | | | |
| 34 | 04011-06 | Screw, Self Tapping | | | |
| 35 | 424580 | Clamp | | | |
| 36 | 424921 | Mounting Bracket, Throttle Cable | | | |
| 37 | | ** Gasket, Muffler | | | |
| 38 | 483841 | Muffler, Cat Diesel | | | |
| 39 | 43772 | Stub Shaft, (Cat) | | | |
| 40 | 04030-05 | Lockwasher, 7/16" Spring | | | |
| 41 | 04002-26 | Bolt, Hex Head M10 x 1.5 x 35 | | | |
| 42 | 483360 | Temperature Sensor, Engine Coolant | | | |
| 43 | | ** Engine, Cat Diesel 28HP (Available only through Cat Dealers) | | | |
| 44 | 424924 | Mount, Radiator | | | |
| 45 | 483756 | Mount, Radiator Isolation | | | |

** Available through the individual engine manufacturer.

RADIATOR & ATTACHING PARTS - CAT DIESEL



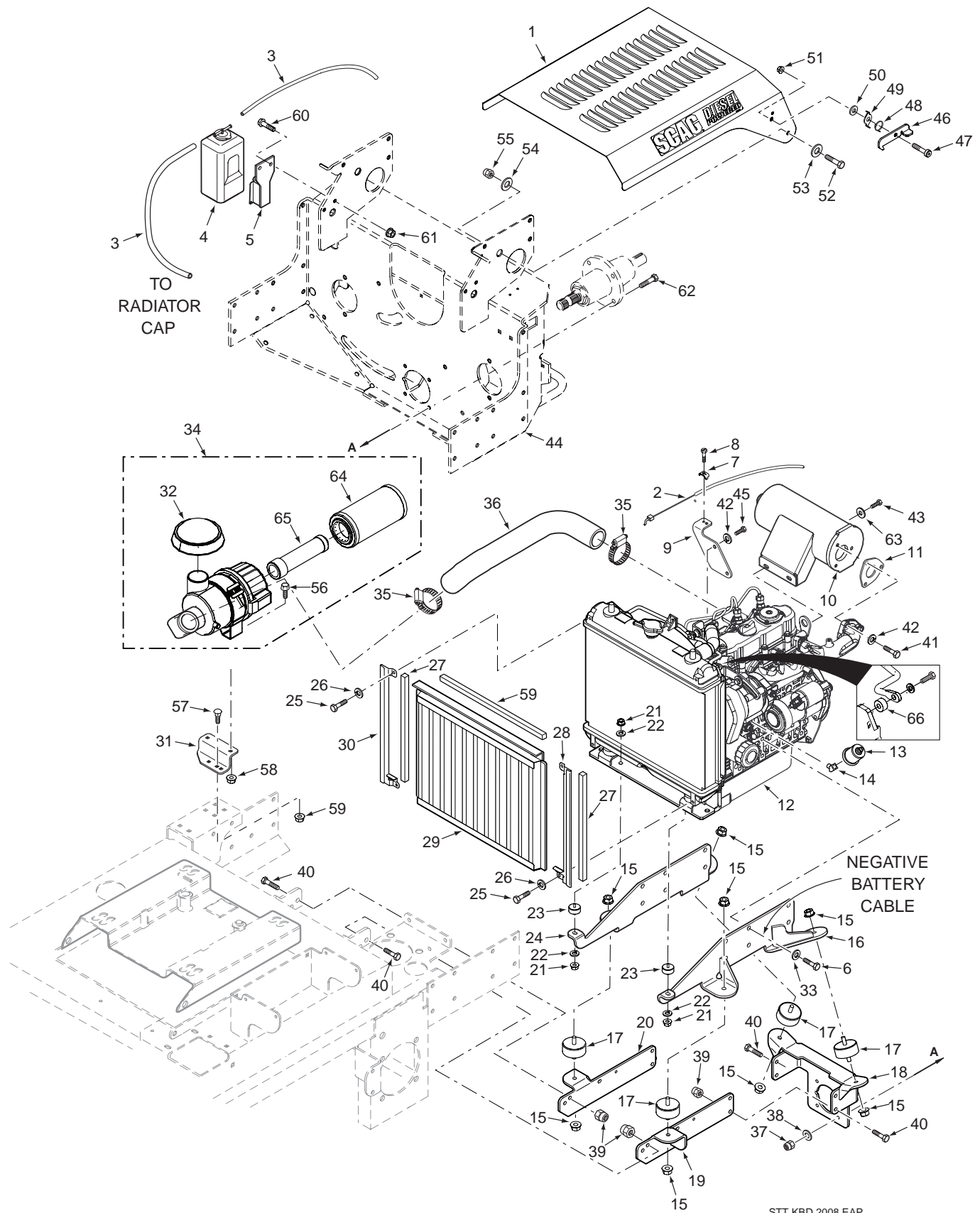
STT CAT 2008 RAP

RADIATOR & ATTACHING PARTS - CAT DIESEL

| Ref. No. | Part No. | Description |
|----------|----------|---------------------------------------|
| 1 | 452006 | Debris Screen Weldment |
| 2 | 04001-23 | Bolt, Hex Head 3/8-16 x 4-1/2" |
| 3 | 04015-19 | Bolt, Socket Head 3/8-16 x 4-1/2" |
| 4 | 483745 | Foam, Seal, 1/2" x 1/4" x 14-1/2" |
| 5 | | ** Radiator Cap |
| 6 | 481309 | Latch, Hood |
| 7 | 04011-11 | Screw, #10-32 x .56 |
| 8 | 04001-06 | Bolt, Hex Head 1/4-20 x .63" |
| 9 | 04030-02 | Lockwasher, 1/4" Spring |
| 10 | 04040-14 | Flatwasher, 1/4" (.312 x .750 x .065) |
| 11 | 424944 | Heatshield |
| 12 | 424945 | Bracket, Radiator Mount (RH) |
| 13 | 04041-07 | Flatwasher, 3/8" (.391 x .938 x .105) |
| 14 | 04021-09 | Nut, Elastic Stop 3/8-16 |
| 15 | 04020-03 | Nut, 5/16-18 |
| 16 | 04030-03 | Lockwasher, 5/16" |
| 17 | 483756 | Mount, Radiator Isolation |
| 18 | 424947 | Bracket, Radiator Mount to Engine |
| 19 | 04002-03 | Bolt, Hex Head M8 x 1.25 x 25 |
| 20 | 424946 | Bracket, Radiator Mount (LH) |
| 21 | 424949 | Guard, Fan |
| 22 | 452008 | Shroud Weldment, Radiator |
| 23 | 483765 | Hose, Upper Radiator |
| 24 | 48136-14 | Clamp, Hose, 1-3/4" |
| 25 | 483764 | Hose, Lower Radiator |
| 26 | 483750 | Radiator |
| 27 | 424933 | Support, Debris Screen |
| 28 | 483755 | Mount, Radiator Isolation |
| 29 | 04019-03 | Nut, Hex Serrated Flange 5/16-18 |
| 30 | 424924 | Mount, Radiator |
| 31 | 04041-11 | Flatwasher, 3/8" (.406 x 1.50 x 7 ga) |
| 32 | 452001 | Guard, Belt |
| | 483767 | Alternator Belt (not shown) |
| | 483809 | Alternator (not shown) |

** Available through the individual engine manufacturer.

ENGINE & ATTACHING PARTS - KUBOTA DIESEL



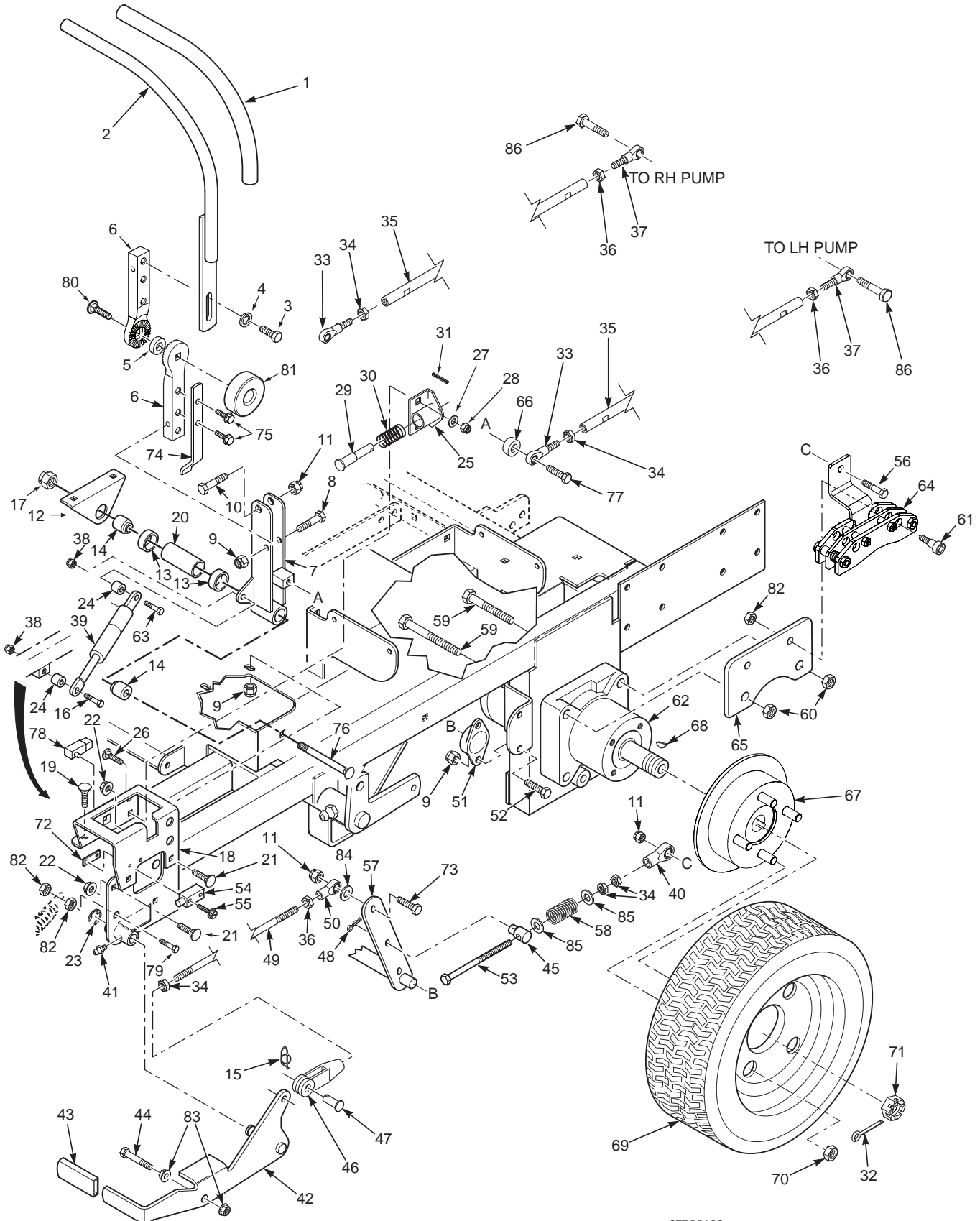
ENGINE & ATTACHING PARTS - KUBOTA DIESEL

| Ref. No. | Part No. | Description |
|----------|----------|---|
| 1 | 462008 | Hood Assembly (Incl. 46, 47, 48,49, 50, 51) |
| 2 | 483356 | Throttle Cable |
| 3 | ** | Hose, Over Spill Bottle |
| 4 | ** | Over Spill Bottle |
| 5 | ** | Mounting Bracket, Over Spill Bottle |
| 6 | 04002-10 | Bolt, Metric Hex Hd. M10-1.25 x 25mm |
| 7 | 424580 | Clamp |
| 8 | 04011-06 | Screw, Self Tapping |
| 9 | 424485 | Bracket, Control Mount |
| 10 | 483811 | Muffler, Kubota |
| 11 | 483387 | Gasket, Muffler |
| 12 | 483335 | ** Engine, Kubota (not avail. through Scag) |
| 13 | 481811 | Oil Pressure Sender |
| 14 | 483433 | Elbow, 45 Deg. |
| 15 | 04019-04 | Nut, Serr. Flng. 5/16-18 |
| 16 | 424450 | Mounting Bracket Weldment LH |
| 17 | 483351 | ISO Mount |
| 18 | 424452 | Plate, Rear Engine Mount |
| 19 | 424448 | Plate, Engine Mount LH |
| 20 | 424449 | Plate, Engine Mount RH |
| 21 | 04025-02 | Nut, Metric Hex M8-1.25mm |
| 22 | 04030-03 | Lockwasher, 5/16" Spring |
| 23 | ** | Rubber ISO Mount, Radiator |
| 24 | 424451 | Mounting Bracket Weldment RH |
| 25 | 04106-01 | Capscrew, Metric M6-1.0 x 16mm |
| 26 | 04030-02 | Lockwasher, 1/4" Spring |
| 27 | 483512 | Foam, Radiator Screen |
| 28 | 424624 | Debris Screen Track LH |
| 29 | 462035 | Debris Screen Assembly (Incl. 59) |
| 30 | 424623 | Debris Screen Track RH |
| 31 | 424497 | Bracket, Air Cleaner Mount |
| 32 | 483635 | Rain Cap (Enginaire p/n 68381) |
| 33 | 04030-05 | Lockwasher, 7/16" Spring |
| 34 | 483485 | Air Filter Assembly (Enginaire p/n 68665) |
| 35 | 48136-09 | Clamp, 2-1/4" Max. Dia. |
| 36 | 483343 | Hose, Air Intake |
| 37 | 04021-22 | Nut, Elastic Stop 5/16-18 Grd. 8 |
| 38 | 04030-03 | Lockwasher, 5/16" Spring |
| 39 | 04021-09 | Nut, Elastic Stop 3/8-16 |
| 40 | 04001-19 | Bolt, Hex Hd. 3/8-16 x 1" |
| 41 | 04002-01 | Bolt, Metric Hex Hd. M8-1.25 x 30mm |
| 42 | 04030-03 | Lockwasher, 5/16" Spring |
| 43 | 04002-03 | Bolt, Metric Hex Hd. M8-1.25 x 25mm |
| 44 | 451861 | Pump Mounting Plate Weldment (Kubota) |
| 45 | 04002-12 | Bolt, Metric Hex Hd. M8-1.25 x 20mm |

| Ref. No. | Part No. | Description |
|----------|-----------|--|
| 46 | 424633 | Latch, Hood |
| 47 | 04009-07 | Bolt, Shoulder 5/16-18 x 1/2" |
| 48 | 483507 | Spring, Hood Latch |
| 49 | 424634 | Lock, Hood Latch |
| 50 | 04041-07 | Flatwasher, 3/8 (.391 x .938 x .105") |
| 51 | 04021-04 | Nut, Center Lock 5/16-18 |
| 52 | 04001-21 | Bolt, Hex Hd. 3/8-16 x 1-3/4" |
| 53 | 04041-07 | Flatwasher, 3/8 (.391 x .938 x .105") |
| 54 | 04041-11 | Flatwasher, 3/8 (.406 x 1.50 x 7 Ga.) |
| 55 | 04021-09 | Nut, Elastic Stop 3/8-16 |
| 56 | 04017-16 | Bolt, Hex Hd. Serr. Flng. 5/16-18 x 3/4" |
| 57 | 04003-12 | Bolt, Carriage 5/16-18 x 3/4" |
| 58 | 04019-03 | Nut, Serr. Flng. 5/16-18 |
| 59 | 483513 | Foam, Radiator Screen Upper |
| 60 | 04017-16 | Bolt, Hex Hd. Serr. Flng. 5/16-18 x 3/4" |
| 61 | 04019-03 | Nut, Serr. Flng. 5/16-18 |
| 62 | 04001-176 | Bolt, Hex Hd. 5/16-18 x 1-3/4" Grd. 8 |
| 63 | 04040-04 | Flatwasher, SAE 5/16 (.344 x .688 x .065") |
| 64 | 483637 | Air Filter, Outer (Enginaire p/n 68300) |
| 65 | 483636 | Air Filter, Inner (Enginaire p/n 68340) |
| 66 | 43714 | Spacer, Radiator |

** Available through the individual engine manufacturer.

BRAKE AND STEERING COMPONENTS

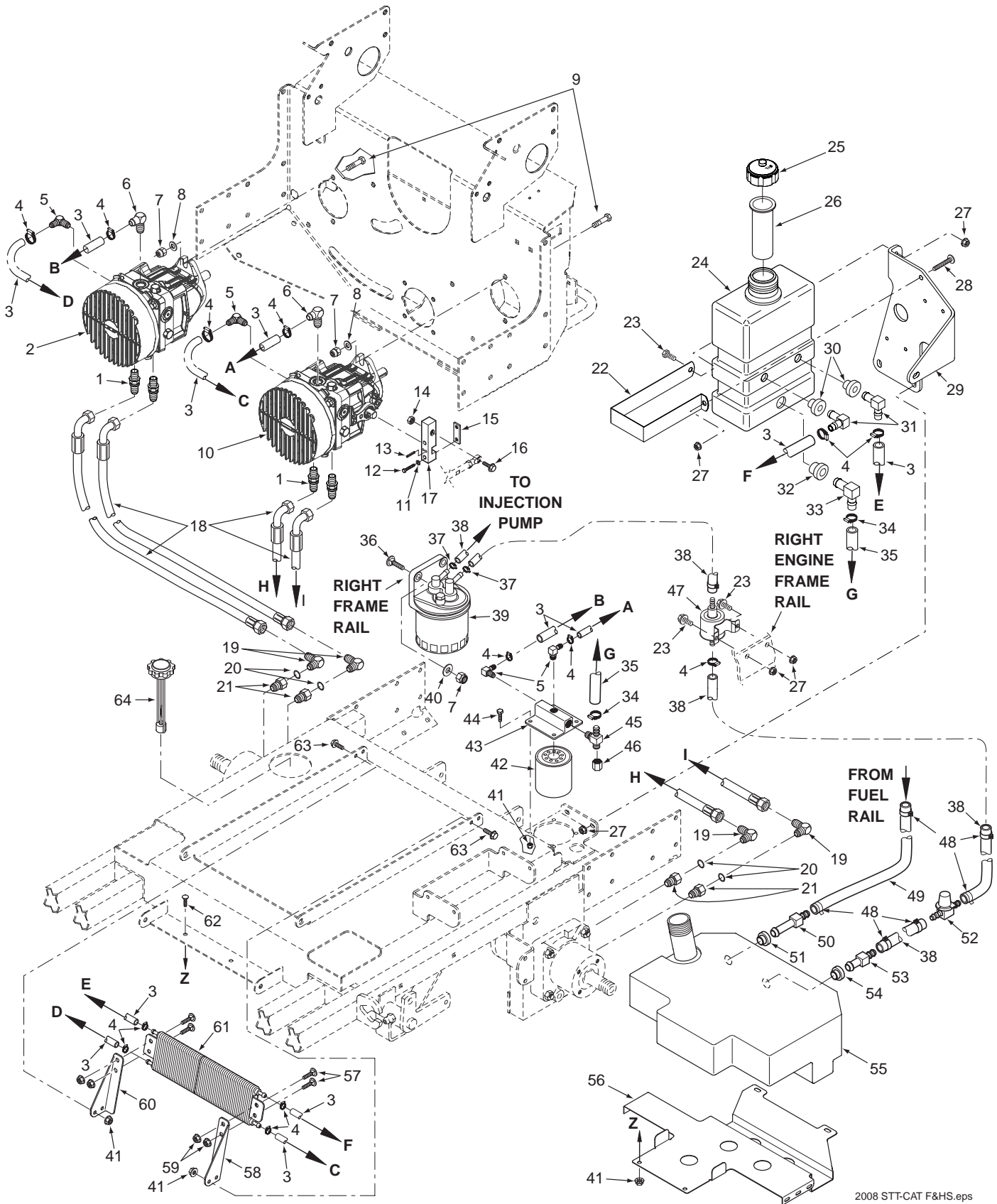


STT DB&SC

BRAKE AND STEERING COMPONENTS

| Ref. No. | Part No. | Description | Ref. No. | Part No. | Description |
|----------|----------|---------------------------------------|----------|-----------|--|
| 1 | 482340 | Grip, Handle Bar | 46 | 48343-04 | Clevis, Traction Control |
| 2 | 461914 | Handle Bar, LH (Includes item 1) | 47 | 04064-02 | Pin, Clevis |
| | 461923 | Handle Bar, RH (Includes item 1) | 48 | 04062-01 | Hair Pin Cotter |
| 3 | 04001-09 | Bolt, Hex Head 5/16-18 x 1" | 49 | 04004-49 | Rod, Parking Brake |
| 4 | 04030-03 | Lockwasher, 5/16" | 50 | 48544 | Rod End, LH Thread |
| 5 | 483250 | Rubber Spacer | 51 | 482061 | Bushing, Self Align |
| 6 | 483238 | Bar, Control Lever | 52 | 04001-08 | Bolt, Hex Head 5/16-18 x 3/4" |
| 7 | 451483 | Control Lever Weldment, LH | 53 | 04001-192 | Bolt, Hex Hd 3/8-24 x 5-1/2" |
| | 451484 | Control Lever Weldment, RH | 54 | 481637 | Switch, Parking Brake |
| 8 | 04001-17 | Bolt, Hex Head 5/16-18 x 2" | 55 | 04010-12 | Screw, Hex Slotted Washer Head #10 32 x 3/4" |
| 9 | 04021-10 | Nut, Hex Elastic Stop 5/16-18 | | | |
| 10 | 04001-45 | Bolt, Hex Head 3/8-16 x 2" | 56 | 04001-32 | Bolt, Hex Head 3/8-16 x 1-1/4" |
| 11 | 04021-09 | Nut, Hex Elastic Stop 3/8-16 | 57 | 45953 | Bellcrank, Brake Actuator |
| 12 | 423488 | Mount, Control Linkage | 58 | 48807 | Spring |
| 13 | 48224 | Ball Bearings, Neutral Return | 59 | 04001-190 | Bolt, Hex Hd 1/2-13 x 2-3/4" (upper) |
| 14 | 43607 | Spacer | | 04001-52 | Bolt, Hex Hd 1/2-13 x 2-1/2" (lower) |
| 15 | 04069-01 | Pin, Rue Cotter 3/8 Dia. | 60 | 04021-19 | Locknut, Hex 1/2-13 Center Lock |
| 16 | 04001-13 | Bolt, Hex Head, 5/16-18 x 2.75 Zinc | 61 | 04009-10 | Bolt, Shoulder 1/2 x 3/8-16 x 2-3/4" |
| 17 | 04021-13 | Nut, Hex Elastic Stop 5/8-11 | 62 | 483677 | Wheel Motor, Hydro-Gear 18E |
| 18 | 461601 | Bracket, Control Lever LH | 63 | 04001-12 | Bolt, Hex Head, 5/16-18 x 1.75, Zinc |
| | 461602 | Bracket, Control Lever RH | 64 | 483701 | Brake Caliper |
| 19 | 04003-04 | Bolt, Carriage 5/16-18 x 1" | 65 | 424894 | Mounting Bracket, Brake |
| 20 | 43600 | Spacer, Bearing | 66 | 43063 | Spacer |
| 21 | 04003-12 | Bolt, Carriage 5/16-18 x 3/4" | 67 | 462104 | Wheel Hub/Disk Brake Assembly |
| 22 | 04019-03 | Nut, Hex Serrated Flange 5/16-18 | 68 | 04063-25 | Key, Woodruff 5/16 x 1" |
| 23 | 04050-01 | Ring, Retaining 5/8" External "E" | 69 | 481850 | Wheel Assembly 24 x 12-12 Turf Master |
| 24 | 43602 | Spacer | | 481851 | Rim W/Valve Stem |
| 25 | 45918 | Bracket, Neutral Return | | 481852 | Tire, 24 x 12-12 Turf Master |
| 26 | 04003-02 | Bolt, Carriage 1/4-20 x 3/4" | 70 | 04028-02 | Lug Nut, 1/2-20 |
| 27 | 04040-14 | Flatwasher, 1/4" (.312 x .750 x .065) | 71 | 48680 | Nut, Hex Castle |
| 28 | 04021-08 | Nut, Hex Elastic Stop 1/4-20 | 72 | 422373 | Threaded Plate |
| 29 | 43477 | Pin, Retaining Spring | 73 | 04001-20 | Bolt, Hex Head 3/8-16 x 1-1/2" |
| 30 | 481389 | Spring | 74 | 423491 | Actuator, Switch |
| 31 | 04060-01 | Roll Pin, Spring 5/32 x 3/4" | 75 | 04017-16 | Bolt, Hex Serrtd Flng 5/16-18 x 3/4" |
| 32 | 04061-06 | Pin, Cotter 9/16 x 1-1/2" | 76 | 04001-79 | Bolt, Hex Head 5/8-11 x 4-1/2" |
| 33 | 482586 | Rod End, Male 3/8-24 RH Thread | 77 | 04001-32 | Bolt, Hex Head 3/8-16 x 1-1/4" |
| 34 | 04020-25 | Nut, 3/8-24 RH Thread | 78 | 481638 | Switch, Handle Neutral |
| 35 | 483680 | Tube, Control Link | 79 | 04001-168 | Bolt, Hex Head 3/8-16 x 1-1/4" Grd 8 |
| 36 | 04020-26 | Nut, Hex 3/8-24 LH Thread | 80 | 04003-05 | Bolt, Carriage 3/8-16 x 1-1/2" |
| 37 | 482585 | Rod End, Male 3/8-24 LH Thread | 81 | 483269 | Knob |
| 38 | 04021-05 | Locknut, 5/16-18, Elastic Stop | 82 | 04021-05 | Nut, Center Lock 3/8-16 |
| 39 | 482794 | Gas Damper | 83 | 04019-04 | Nut, Serrated Flange 3/8-16 |
| 40 | 482330 | Rod End, 3/8-24 RH Female | 84 | 04041-07 | Flatwasher, 3/8-.391 x .938 x .105 |
| 41 | 48114-04 | Grease Fitting | 85 | 04040-05 | Flatwasher, 3/8-.406 x .812 x .065 |
| 42 | 461082 | Lever, Parking Brake (Inc. item 43) | 86 | 04001-21 | Bolt, Hex Head, 3/8-16 x 1-3/4" |
| 43 | 481548 | Grip, Parking Brake | | | |
| 44 | 04001-22 | Bolt, Hex Head 3/8-16 x 2-3/4" | | | |
| 45 | 43773 | Swivel Joint | | | |

FUEL AND HYDRAULIC SYSTEM - CAT DIESEL



2008 STT-CAT F&HS.eps

FUEL AND HYDRAULIC SYSTEM - CAT DIESEL

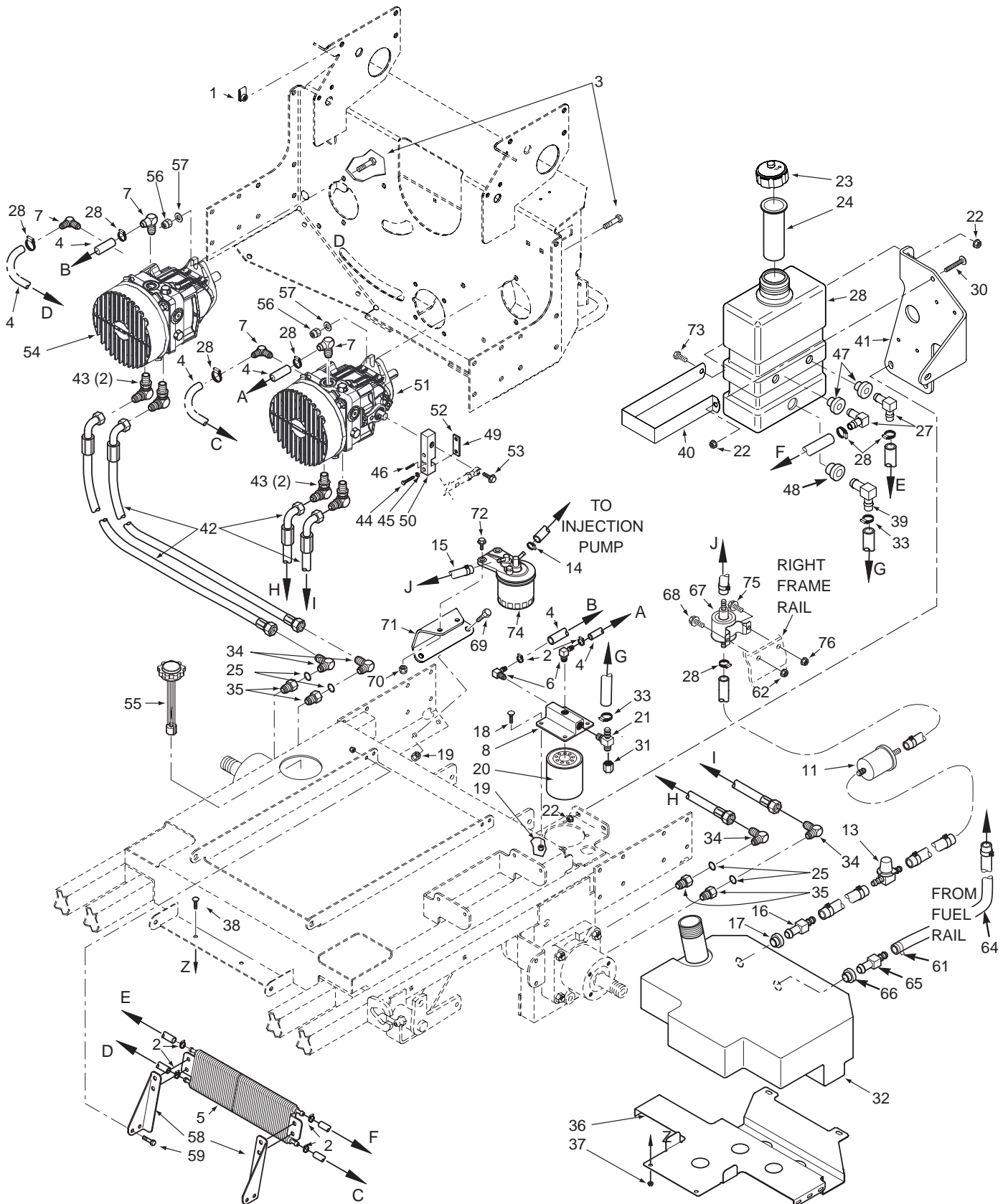
| Ref. No. | Part No. | Description | Ref. No. | Part No. | Description |
|----------|-----------|--|----------|----------|--|
| 1 | 48572-06 | Union, 3/4"-16 JIC x O-Ring | 41 | 04019-03 | Nut, Serrated Flange 5/16-18 |
| 2 | 483100 | Pump, Right Hand, BDP 16A | 42 | 48758 | Oil Filter |
| 3 | 48811 | *** Hose, 3/8" ID Pushlock | 43 | 482417 | Oil Filter Base |
| 4 | 48136-13 | Hose Clamp, 0.69 dia. | 44 | 04001-09 | Bolt, Hex Head 5/16-18 x1.0" Zinc |
| 5 | 482266-01 | Elbow, 90 Deg - 9/16 O-Ring x 3/8" Hose | 45 | 482477 | Tee, 3/4 O-Ring x JIC x 1/2" Hose |
| 6 | 482266-02 | Elbow, 90 Deg - 3/4 O-Ring x 3/8" Hose | 46 | 48571-02 | Cap |
| 7 | 04021-09 | Nut, Hex Elastic Stop 3/8-16 | 47 | 483768 | Fuel Pump, Cat |
| 8 | 04043-04 | Flatwasher, 3/8" (.391 x .938 x .105) Grade 8 | 48 | 48136-13 | Clamp, .69 Dia. |
| 9 | 04001-20 | Bolt, Hex Head 3/8-16 x 1.5" | 49 | 48058 | *** Hose, 1/4" Fuel Line |
| 10 | 483101 | Pump, Left Hand, BDP-16A | 50 | 481778 | Hose Fitting |
| 11 | 04030-02 | Lockwasher, 1/4" Spring | 51 | 482571 | Bushing |
| 12 | 04001-04 | Bolt, Hex Head, 1/4-20 x 1-1/2" | 52 | 481308 | Valve, Fuel Shutoff |
| 13 | 04060-09 | Roll Pin, Spring 3/16 x 3/4" | 53 | 483749 | Fitting, Hose with Screen |
| 14 | 04021-05 | Nut, Center Lock 3/8-16 | 54 | 482571 | Bushing |
| 15 | 422694 | Clamp Plate, Pump Control | 55 | 462126 | Fuel Tank Assembly (incl. items 50, 51, 53, 54) |
| 16 | 04001-21 | Bolt, Hex Head, 3/8-16 x 1-3/4" | 56 | 424914 | Support Bracket, Fuel Tank |
| 17 | 481793 | Block, Pump Control | 57 | 04003-07 | Bolt, Carraige 1/4-20 x 3/4" |
| 18 | 481611 | Hose Assembly, Pump | 58 | 424884 | Mounting Bracket - LH, Oil Cooler |
| 19 | 48350-01 | Elbow, 90 Degree, 7/8-14 THD | 59 | 04019-02 | Nut, Serrated Flange 1/4-20 |
| 20 | 48603-02 | O-Ring | 60 | 424885 | Mounting Bracket - RH, Oil Cooler |
| 21 | 48938-02 | Bushing, 7/8-14 JIC x 3/4-16 O-Ring | 61 | 482505 | Oil Cooler |
| 22 | 423513 | Strap, Hydraulic Tank | 62 | 04003-12 | Bolt, Carraige 5/16-18 x 3/4" |
| 23 | 04001-01 | Bolt, Hex Head 1/4-20 x 3/4" | 63 | 04017-16 | Bolt, Hex Head 5/16-18 x 3/4" |
| 24 | 461451 | Oil Reservoir Assembly (includes 26, 30, 31, 32, 33) | 64 | 482498 | Cap, Fuel Tank W/Gauge |
| 25 | 481164 | Cap, Hydraulic Tank | | | |
| 26 | 481507 | Insert, Filler Neck | | | |
| 27 | 04021-08 | Nut, Hex Elastic Stop 1/4-20 | | | |
| 28 | 04010-10 | Screw, Phillips Head, 1/4-20 | | | |
| 29 | 424942 | Support Bracket, Hydraulic Tank | | | |
| 30 | 482571 | Bushing, .56 Dia. Viton | | | |
| 31 | 482572 | Elbow, 90 Degree .38 Hose | | | |
| 32 | 482571 | Bushing, .78 Dia. Viton | | | |
| 33 | 482574 | Elbow, 90 Degree | | | |
| 34 | 48136-05 | Clamp, Hose | | | |
| 35 | 48351 | *** Hose Assembly, 1/2" ID (Oil Reservoir to Filter Base) | | | |
| 36 | 04003-22 | Bolt, Carraige 3/8-16 x 1" | | | |
| 37 | 48059-04 | Clamp, Fuel Hose 5/16" ID | | | |
| 38 | * 483620 | *** Fuel Hose, 5/16" ID. Non-Perm | | | |
| 39 | | ** Fuel Filter | | | |
| 40 | 04041-07 | Flatwasher, 3/8" (.391 x .938 x .105) | | | |

* High Pressure Fuel Line. MUST only be replaced with the part number listed.

** Available through the individual engine manufacturer.

*** Order by the inch.

FUEL AND HYDRAULIC SYSTEM - KUBOTA DIESEL



2007 STT-BSD F&HS.eps

FUEL AND HYDRAULIC SYSTEM - KUBOTA DIESEL

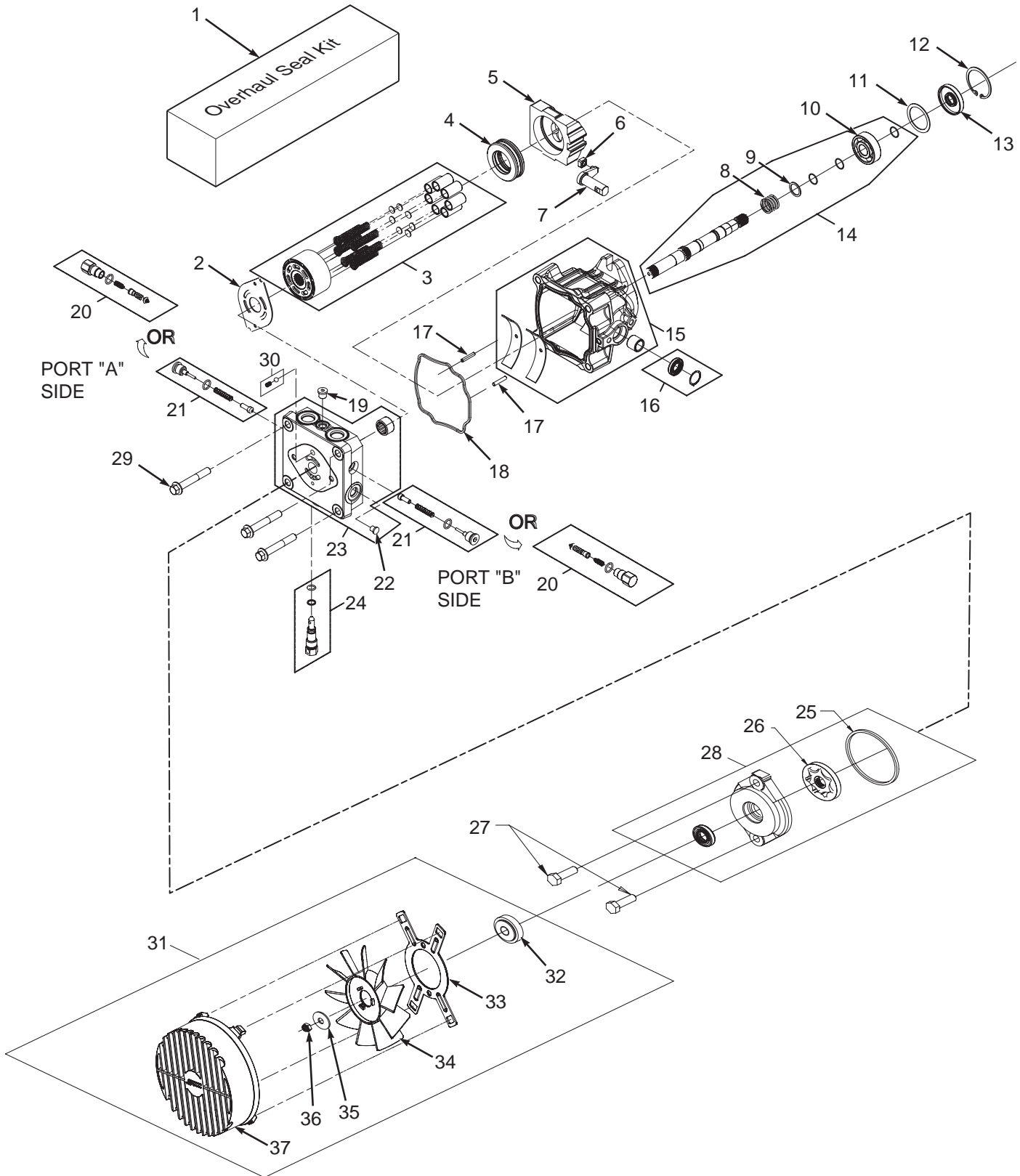
| Ref. No. | Part No. | Description |
|----------|-----------|---|
| 1 | 04110-01 | U-Nut 1/4-20 |
| 2 | 48136-13 | Hose Clamp, 0.69" Dia. |
| 3 | 04001-03 | Bolt, Hex Hd. 1/4-20 x 2.0" |
| 4 | 48811 | *** Hose, 3/8" ID Pushlock |
| 5 | 482505 | Oil Cooler |
| 6 | 481301-03 | Elbow, 90 Deg. - 1/4" NPT x 3/8" Hose |
| 7 | 482266-01 | Elbow, 90 Deg. - 9/16" O-ring x 3/8" Hose |
| 8 | 482417 | Oil Filter Base |
| 9 | 482606 | Hose Assy, 1/2" ID (Tank to Filter Base) |
| 10 | 48136-05 | Clamp, .87" max Dia. |
| 11 | ** | Fuel Pre-Filter, Kubota |
| 12 | 483620 | *** Fuel Hose, 5/16" ID. Non-Perm. |
| 13 | | Valve, Shutoff |
| 14 | 48059-01 | Clamp, Fuel Hose |
| 15 | 483620 | *** Fuel Hose, 5/16" ID. Non-Perm. |
| 16 | 483749 | Hose Fitting |
| 17 | 48309 | Bushing |
| 18 | 04001-09 | Bolt, Hex Hd. 5/16-18 x 1.0" Zinc |
| 19 | 04019-03 | Nut, Serr. Flng. 5/16-18 |
| 20 | 48758 | Oil Filter |
| 21 | 482477 | Tee, 3/4" O-ring x JIC x 1/2" Hose |
| 22 | 04021-08 | Nut, Hex Elastic Stop 1/4-20 |
| 23 | 481164 | Cap, Hydraulic Tank |
| 24 | 481507 | Insert, Filler Neck |
| 25 | 48603-02 | O-Ring |
| 26 | 461451 | Oil Reservoir Assembly (Incl. 24, 27, 39) |
| 27 | 482572 | Elbow, 90 Deg. 0.38" Hose |
| | 482571 | Bushing, 0.56" Dia. Viton |
| 28 | 48136-13 | Hose Clamp, 0.69" dia. |
| 29 | 48811 | *** Hose, 3/8" ID, Pushlock |
| 30 | 04010-10 | Screw, Phillips Head, 1/4-20 |
| 31 | 48571-02 | Cap |
| 32 | 462126 | Fuel Tank Assembly (Incl. items 16, 17, 65, 66) |
| 33 | 48136-05 | Clamp, Hose |
| 34 | 48350-05 | Elbow, 90 Deg., 5/8 x 1/2 |
| 35 | 48938-02 | Bushing, 7/8"-14 JIC x 3/4"-16 O-Ring |
| 36 | 424914 | Support Bracket, Fuel Tank |
| 37 | 04019-03 | Nut, 5/16-18 Serr. Flng. |
| 38 | 04003-02 | Bolt, Carriage 1/4-20 x 3/4" |
| 39 | 482574 | Elbow, 90 Deg. |
| | 482573 | Bushing, 0.78" Dia. Viton |
| 40 | 423513 | Strap, Hydraulic Tank |
| 41 | 424524 | Support Bracket, Hydraulic Tank |
| 42 | 483805 | Hose Assembly, Pump |
| 43 | 48572-06 | Union, 5/8 x 1/2 |
| 44 | 04001-59 | Bolt, Hex Hd., 1/4-20 x 1-14" |
| 45 | 04030-02 | Lockwasher, 1/4" Spring |

| Ref. No. | Part No. | Description |
|----------|----------|---|
| 46 | 04060-09 | Roll Pin, Spring 3/16 x 3/4" |
| 47 | 04017-05 | Bolt, Hex Serr. Flng., 1/4-20 x 3/4" |
| 48 | 483620 | *** Fuel Hose, 5/16" ID. Non-Perm. |
| 49 | 422694 | Clamp Plate, Pump Control |
| 50 | 481793 | Block, Pump Control |
| 51 | 483101 | Pump, Left Hand, BDP-16A |
| 52 | 04021-09 | Nut, Hex, Elastic Stop 3/8-16 |
| 53 | 04001-32 | Bolt, Hex Hd., 3/8-16 x 1-1/4 |
| 54 | 483100 | Pump, Right Hand, BDP 16A |
| 55 | 482498 | Cap, Fuel Tank w/Gauge |
| 56 | 04021-09 | Nut, Hex Elastic Stop 3/8-16 |
| 57 | 04043-04 | Flatwasher, 3/8" (.391 x .938 x .105") Grd. 8 |
| 58 | 424483 | Mounting Bracket - LH, Oil Cooler |
| | 424484 | Mounting Bracket - RH, Oil Cooler |
| 59 | 04001-08 | Bolt, Hex Hd. 5/16-18 x 3/4" |
| 60 | 482505 | Cooler, Oil |
| 61 | 48136-13 | Clamp, 0.69" Dia. |
| 62 | 04019-03 | Nut, Serr. Flng. 5/16-18 |
| 63 | ** | Adapter, 1/2" - 5/16" (p/n 59071-2141) |
| 64 | 48058 | *** Hose, 1/4" Fuel Line |
| 65 | 482703 | Fitting, Hose |
| 66 | 48309 | Bushing |
| 67 | ** | Fuel Pump, Kubota |
| 68 | 04017-16 | Bolt, Hex Hd. 5/16-18 x 3/4" |
| 69 | 04001-19 | Bolt, Hex Hd. 3/8-16 x 1" |
| 70 | 04021-09 | Nut, Elastic Stop 3/8-16 |
| 71 | 424487 | Bracket, Fuel Filter Mounting |
| 72 | 04017-16 | Bolt, Hex Hd. Serr. Flng. 5/16-18 x 3/4" |
| 73 | 04001-01 | Bolt, Hex Hd. 1/4-20 x 3/4" |
| 74 | ** | Fuel Filter |
| 75 | 04017-05 | Bolt, Hex Hd. 1/4-20 x 3/4" |
| 76 | 04019-02 | Nut, Serr. Flng. 1/4-20 |

** Available through the individual engine manufacturer.

*** Order by the inch.

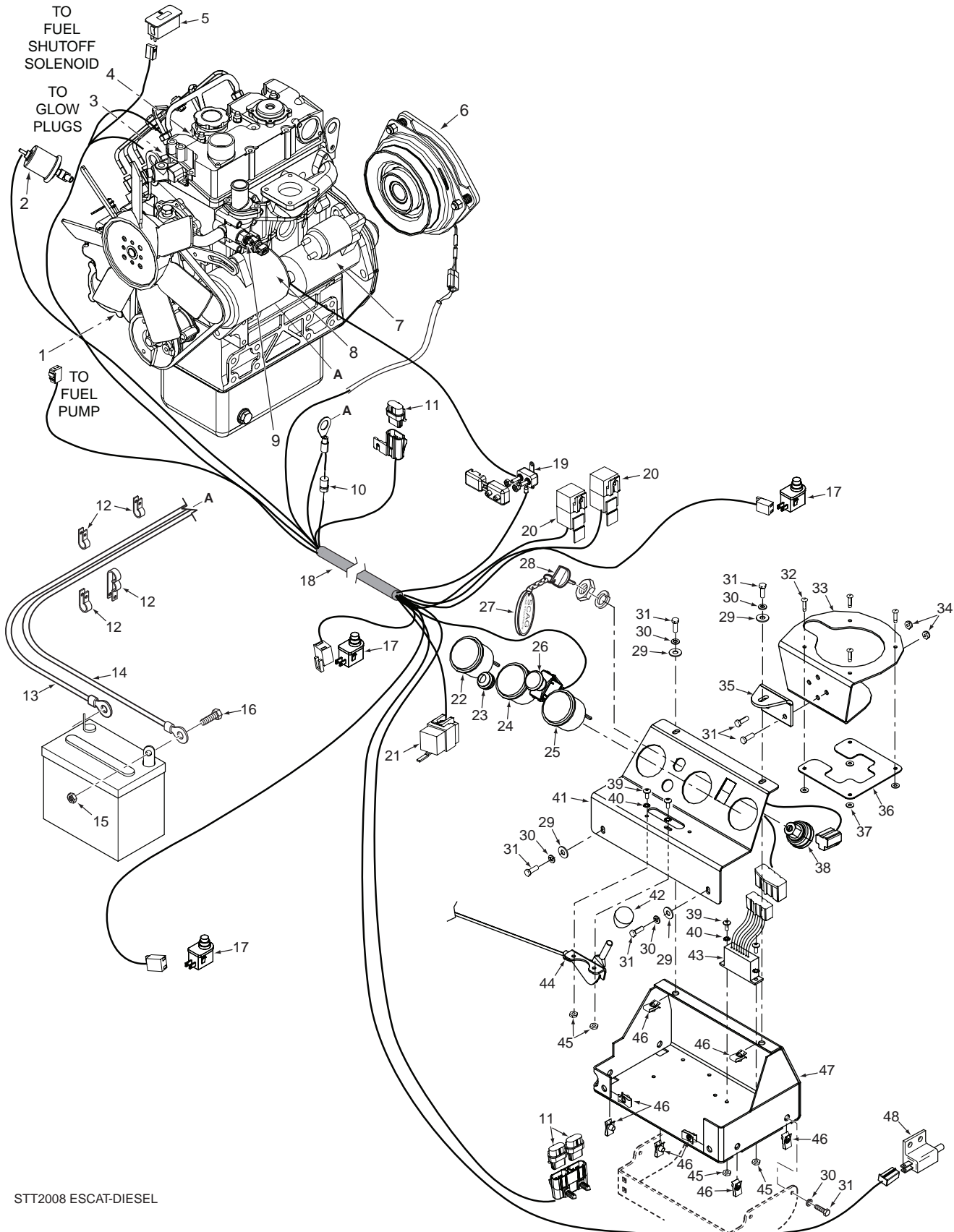
BDP-16A HYDRAULIC PUMP ASSEMBLY with Cooling Fan



BDP-16A HYDRAULIC PUMP ASSEMBLY with Cooling Fan

| Ref. No. | Part No. | Description |
|----------|----------------|---|
| 1 | HG70740 | Overhaul Seal Kit |
| 2 | HG51455 | Valve Plate |
| 3 | HG70735 | Cylinder Block Kit - 16cc |
| 4 | HG51462 | Thrust Ball Bearing Assembly |
| 5 | HG51436 | Variable Swashplate |
| 6 | HG2000015 | Slot Guide |
| 7 | HG2000014 | Trunnion Arm |
| 8 | HG2000025 | Block Spring |
| 9 | HG2000024 | Block Thrust Washer |
| 10 | HG2000032 | Shaft Ball Bearing |
| 11 | HG2000023 | Spacer |
| 12 | HG2000038 | Retaining Ring |
| 13 | HG51092 | Seal |
| 14 | HG70578 | Kit, Pump Shaft (keyed thru taper) |
| 15 | HG70738 | Housing Kit |
| 16 | HG70739 | Trunnion Seal Kit |
| 17 | HG50641 | Pin |
| 18 | HG51437 | O-Ring |
| 19 | HG9005110-7500 | Straight Thread Plug |
| 20 | HG70743 | Shock Valve Kit (.031 Orifice) |
| 21 | HG70742 | Shock Valve Kit (.024 Orifice) |
| 22 | HG9005200-7500 | Straight Thread Plug |
| 23 | HG70736 | End Cap Kit |
| 24 | HG2513030 | Bypass Valve Kit |
| 25 | HG9004100-1430 | O-Ring |
| 26 | HG50406 | Gerotor Assembly (.19 cu.in./rev.) |
| 27 | HG50173 | Socket Head Cap Screw (M8 x 1.25-25mm) |
| 28 | HG70924 | Charge Pump Kit (.19 STD. Splined) |
| 29 | HG51457 | Hex Screw, Flanged Head (M10 x 1.50-65mm) |
| 30 | HG70402 | Charge Relief Kit |
| 31 | HG71287 | Fan Kit (incl. items 32, 34, 35, 36) |
| 32 | HG51348 | Hub |
| 33 | HG52016 | Bracket, Shroud |
| 34 | HG52014 | Fan |
| 35 | HG52256 | Washer |
| 36 | HG44809 | Nut |
| 37 | HG52059 | Shroud |

ELECTRICAL SYSTEM - CAT DIESEL



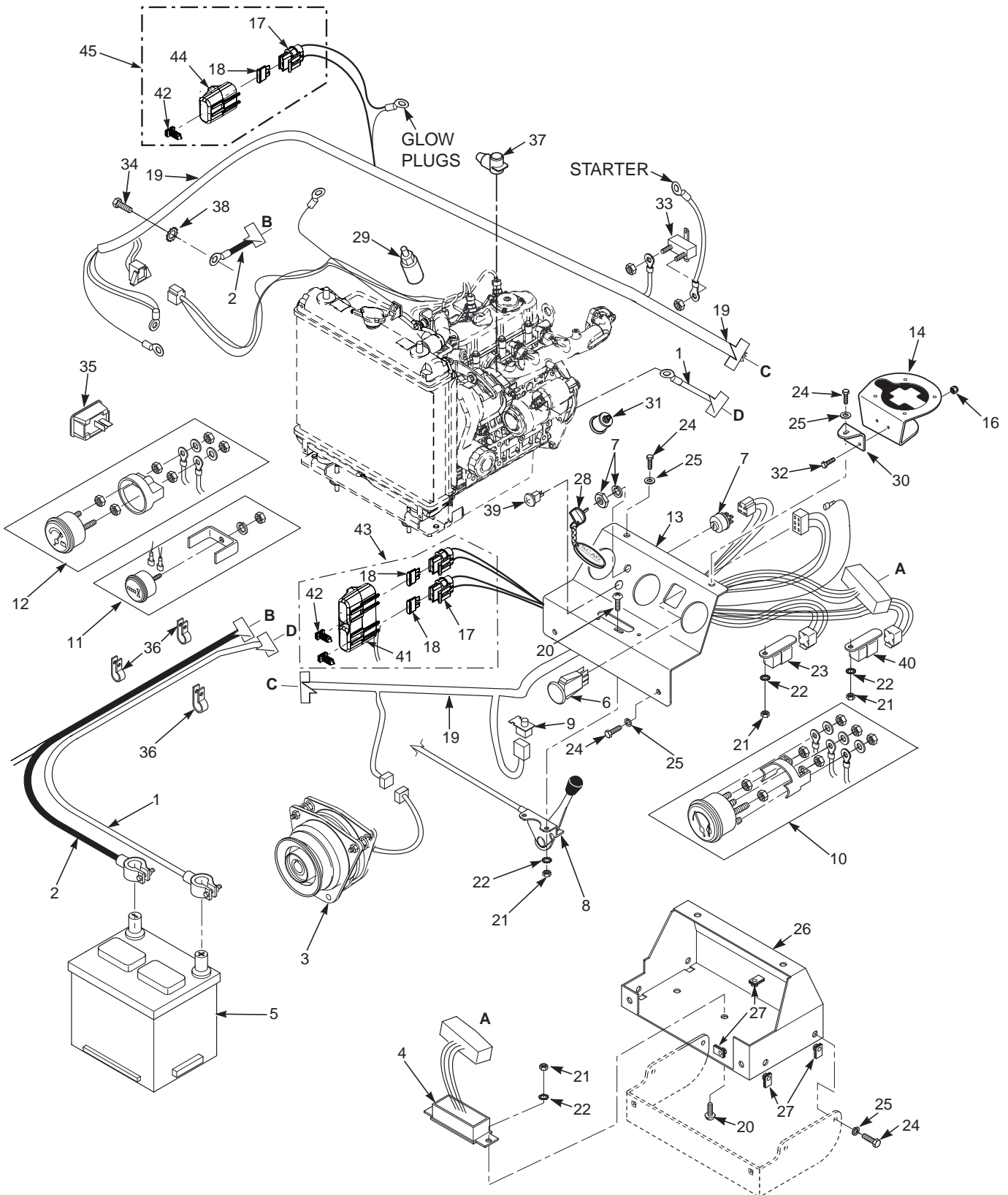
STT2008 ESCAT-DIESEL

ELECTRICAL SYSTEM - CAT DIESEL

| Ref. No. | Part No. | Description |
|----------|-----------|--|
| 1 | | ** Fuel Pump |
| 2 | 481811 | Oil Pressure Sender |
| 3 | | ** Glow Plugs |
| 4 | | ** Fuel Shutoff Solenoid |
| 5 | 483537 | Hourmeter |
| 6 | 462011 | Clutch, Ogura GT 3.5 - 1.125 Bore |
| 7 | | ** Starting Motor |
| 8 | 483809 | Alternator |
| | 483767 | Alternator Belt (not shown) |
| 9 | 481670 | Sending Unit, Water Temp. |
| 10 | 482253 | Diode |
| 11 | 48298 | Fuse, 20 AMP |
| 12 | 48030-09 | Clamp, Cable 1/2" ID. |
| | 48030-10 | Clamp, Cable 3/4" ID. |
| | 48030-11 | Clamp, Double Cable 5/8" ID. |
| 13 | 481176-10 | Cable, Battery - Red |
| 14 | 481176-11 | Cable, Battery - Black |
| 15 | 04020-02 | Nut, Hex 1/4-20 |
| 16 | 04001-44 | Bolt, Hex Head 1/4-20 x .5" |
| | | Battery, (Not Available Through Scag) |
| 17 | 481638 | Switch, Interlock, Normally Open |
| 18 | 483759 | Main Wire Harness, STT Cat |
| 19 | 482784 | Circuit Breaker, 50 AMP |
| | 482785 | Cover, Circuit Breaker |
| 20 | 481826 | Relay, 12V 40 AMP Hi Capacity |
| 21 | 483013 | Relay, 12V 40 AMP Standard |
| 22 | 481184 | Volt Meter (Includes Mounting Hardware) |
| 23 | 481182 | Indicator Light, Glow Plugs (Includes Mounting Hardware) |
| 24 | 481805 | Engine Oil Pressure Gauge (Includes Mounting Hardware) |
| 25 | 481183 | Water Temperature Gauge (Includes Mounting Hardware) |
| 26 | 483957 | Switch, PTO |
| 27 | 462138 | Key Assembly w/Fob |
| 28 | 483771 | Key, Ignition |
| 29 | 04040-14 | Flat Washser, 1/4" |
| 30 | 04030-02 | Lockwasher, 1/4" |
| 31 | 04001-01 | Bolt, Hex Head 1/4-20 x 3/4" |
| 32 | 04090-02 | Pop Rivet, 3/16" x 5/8" |
| 33 | 9240 | Cupholder |
| 34 | 04021-08 | Nut, Elastic Stop 1/4"-20 |
| 35 | 423674 | Bracket, Cupholder Mounting |
| 36 | 482544 | Retainer, Cupholder |
| 37 | 04041-19 | Flatwasher, 0.196 ID. |
| 38 | 483758 | Key Switch (Includes Mounting Hardware) |
| 39 | 04010-01 | Screw, Phillips Washer Head #10-32 x 1/2" |
| 40 | 04031-01 | Lockwasher, #10 External Tooth |
| 41 | 462146 | Instrument Panel, Top w/Decals |
| 42 | 483533 | Knob, Throttle |
| 43 | 481808 | Electronic Control Module |
| 44 | 483746 | Throttle Control |
| 45 | 04020-01 | Nut, Hex #10-32 |
| 46 | 04110-01 | U-Nut, 1/4-20 |
| 47 | 451879 | Base, Instrument Panel |
| 48 | 481637 | Switch, Interlock, Park Brake Normally Open |

** Available through the individual engine manufacturer.

ELECTRICAL SYSTEM - KUBOTA DIESEL



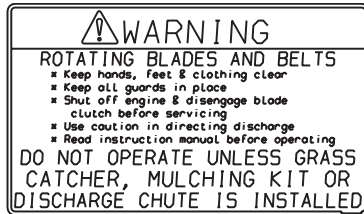
ELECTRICAL SYSTEM - KUBOTA DIESEL

| Ref. No. | Part No. | Description |
|----------|-----------|---|
| 1 | 481176-10 | Cable, Positive Battery |
| 2 | 481176-11 | Cable, Negative Battery |
| 3 | 462011 | Clutch, Electric PTO |
| 4 | 481808 | Module, Interlock |
| 5 | * | Battery (not available through Scag) |
| 6 | 483957 | Switch, PTO |
| 7 | 48798 | Switch, Key (Incl. Nut and Lockwasher) |
| | 48017-03 | Nut, 5/8-32 Special |
| | 48017-04 | Lockwasher 5/8" |
| 8 | 483356 | Cable, Control (Throttle) |
| 9 | 481638 | Switch, Seat |
| 10 | 481183 | Gauge, Water Temperature |
| 11 | 481805 | Gauge, Oil Pressure |
| 12 | 481184 | Gauge, Voltmeter |
| 13 | 462013 | Panel, Instrument Panel |
| 14 | 9240 | Cup Holder Accessory (Incl. 16, 30, 32) |
| 15 | 04010-11 | Screw, #10-32 x 1.5" Phillips |
| 16 | 04021-01 | Nut, #10-32 Elastic Stop |
| 17 | 483629 | Fuse Holder |
| 18 | 48298 | Fuse, 20 Amp |
| 19 | 483825 | Harness, Wiring |
| 20 | 04010-01 | Screw, #10-32 x .5" Phillips |
| 21 | 04020-01 | Nut, Hex #10-32 |
| 22 | 04031-01 | Lockwasher #10 |
| 23 | 483013 | Relay |
| 24 | 04001-01 | Bolt, Hex Hd. 1/4-20 x .75" |
| 25 | 04030-02 | Lockwasher 1/4" |
| 26 | 451879 | Base, Instrument Panel |
| 27 | 04110-01 | U-Nut, 1/4-20 |
| 28 | 462069 | Key Assembly w/Fob |
| 29 | 483360 | Sender Unit, Water Temperature |
| 30 | 423674 | Cup Holder Mounting Bracket |
| 31 | 481811 | Sender Unit, Oil Pressure |
| 32 | 04001-01 | Bolt, Hex Hd. 1/4-20 x 3/4" |
| 33 | 482784 | 50 Amp Breaker |
| 34 | 04002-17 | Bolt, Hex Hd. M8-1.25 x 14mm |
| 35 | 483355 | Hour Meter |
| 36 | 48030-09 | Clamp, Cable .5" ID |
| | 48030-10 | Clamp, Cable .75" ID |
| 37 | 481335 | Boot, Positive Battery Terminal |
| 38 | 04031-03 | Washer, Star |
| 39 | 481182 | Indicator Light, Glow Plugs |
| 40 | 481826 | Relay, 40 Amp |
| 41 | 483571 | Cover, Sealed Double |
| 42 | 482588 | Clip, Wire |
| 43 | 483642 | Double Fuse Assembly, Sealed (Incl. items 17, 18, 41, 42) |
| 44 | 483643 | Cover, Sealed Single |
| 45 | 483641 | Single Fuse Assembly, Sealed (Incl. items 17, 18, 42, 44) |

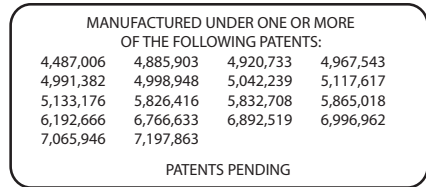
REPLACEMENT DECALS AND INFORMATION PLATES



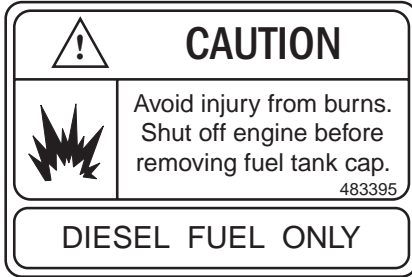
1



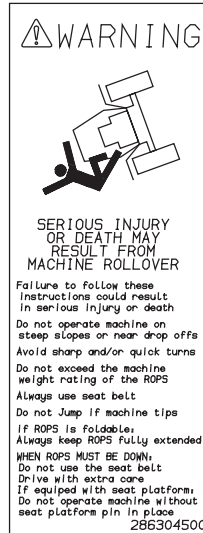
2



3



4



7



5



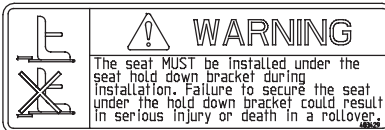
6



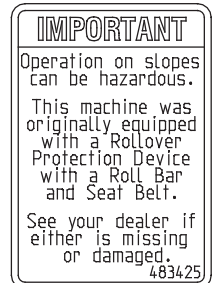
8



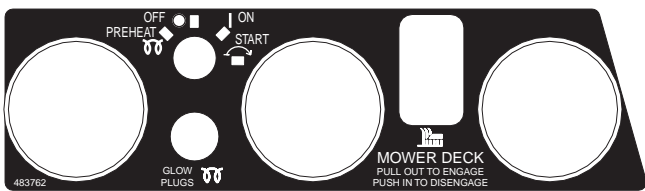
9



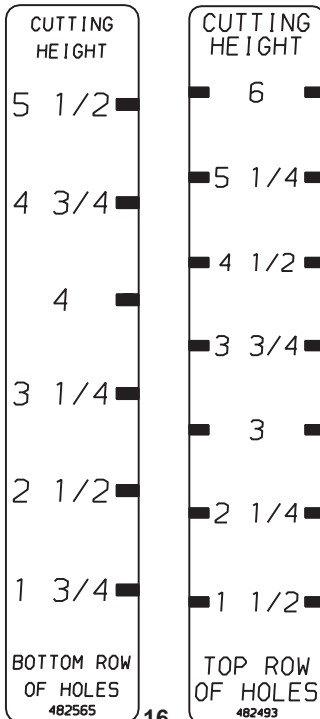
10



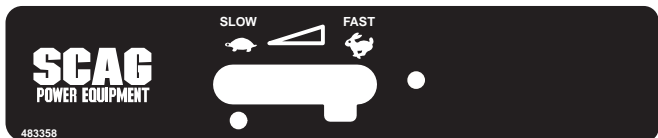
11



12



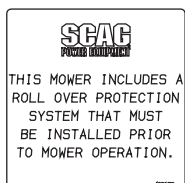
17



13



14



15



18

STTKBD 2008 Decals 1

REPLACEMENT DECALS AND INFORMATION PLATES

| Ref. No. | Part No. | Description | Ref. No. | Part No. | Description |
|----------|----------|--|----------|----------|-------------------------------|
| 1 | 483407 | Decal, Danger-Spinning Blades | 21 | 483405 | Decal, Warning |
| 2 | 483406 | Decal, Warning-Rotating Blades | 22 | 483229 | Decal, Turf Tiger |
| 3 | 483044 | Decal, Patents | 23 | 483727 | Decal, Scag Logo |
| 4 | 483395 | Decal, Fuel Tank | 24 | 48404 | Decal, Metalcraft-Made In USA |
| 5 | 483201 | Decal, 61" Velocity Plus | 25 | 483509 | Decal, Scag Diesel Powered |
| | 483693 | Decal, 72" Velocity Plus | 26 | 481664 | Decal, Stripes-RH |
| 6 | 481568 | Decal, Traction Control | 27 | 481663 | Decal, Stripes-LH |
| 7 | 483300 | Decal, ROPS Warning | ** | 461982 | Spanish Decal Kit, STT |
| 8 | 481971 | Decal, Heavy Duty Commercial | | | |
| 9 | 483402 | Decal, Belt Cover | | | |
| 10 | 483429 | Decal, Warning Seat Hold Down | | | |
| 11 | 483425 | Decal, ROPS | | | |
| 12 | 483762 | Decal, Instrument Panel - Upper (CAT) | | | |
| | 482360 | Decal, Instrument Panel - Upper (Kubota) | | | |
| 13 | 483358 | Decal, Instrument Panel - Lower (CAT) | | | |
| | 483358 | Decal, Instrument Panel - Lower (Kubota) | | | |
| 14 | 483633 | Decal, Seat Replacement | | | |
| 15 | 483158 | Decal, ROPS | | | |
| 16 | 482565 | Decal, Cutting Height - Lower | | | |
| 17 | 482493 | Decal, Cutting Height - Upper | | | |
| 18 | 483444 | Decal, Start/Drive Procedure | | | |
| 19 | 483154 | Decal, Checks and Adjustments | | | |
| 20 | 482577 | Decal, Turf Tiger | | | |

IMPORTANT ADJUSTMENT PROCEDURES
 READ OPERATOR'S MANUAL FOR MORE DETAILS
 Check tire pressure - (Drive tires-12 psi, Caster tires-25 psi)

HYDRAULIC FLUID LEVEL
 Check hydraulic fluid level while fluid is cool. Fluid level should be 3" below top of filler neck. FILL with SAE 20W50 motor oil only.

IMPORTANT
 Do not overfill. Room for hot fluid expansion must be allowed or resulting expansion may cause leaks in the system.

NEUTRAL ADJUSTMENT
 Loosen jam nuts
 Rotate turnbuckle
 With an operator in the seat, engine running, control levers in neutral and the parking brake disengaged - adjust control linkage. Loosen jam nuts. If wheel rotates forward, adjust turnbuckle CW. If wheel rotates rearward, adjust turnbuckle CCW. Adjust until drive wheel stops turning. Tighten jam nuts. Repeat for opposite side.

TRACKING ADJUSTMENT
 If the machine pulls to the right, adjust LH control linkage CCW to slow left wheel. If the machine pulls to the left, adjust RH control linkage CW to slow right wheel. Readjust neutral if necessary.

FREE WHEEL OPERATION
 To move machine without running the engine, rotate both dump valves located at the LH side of the pumps CW 1/2 turn to "freewheel" positions. Return dump valves to original position to operate the mower. Tighten to 7-10 Ft-Lbs.



20



21



22



23



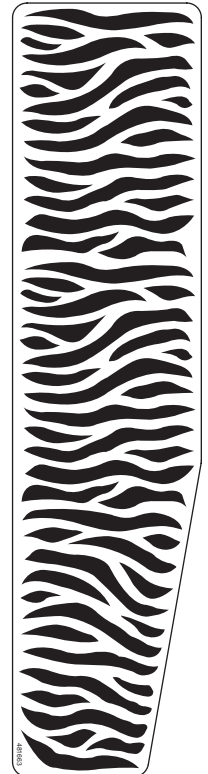
24



25

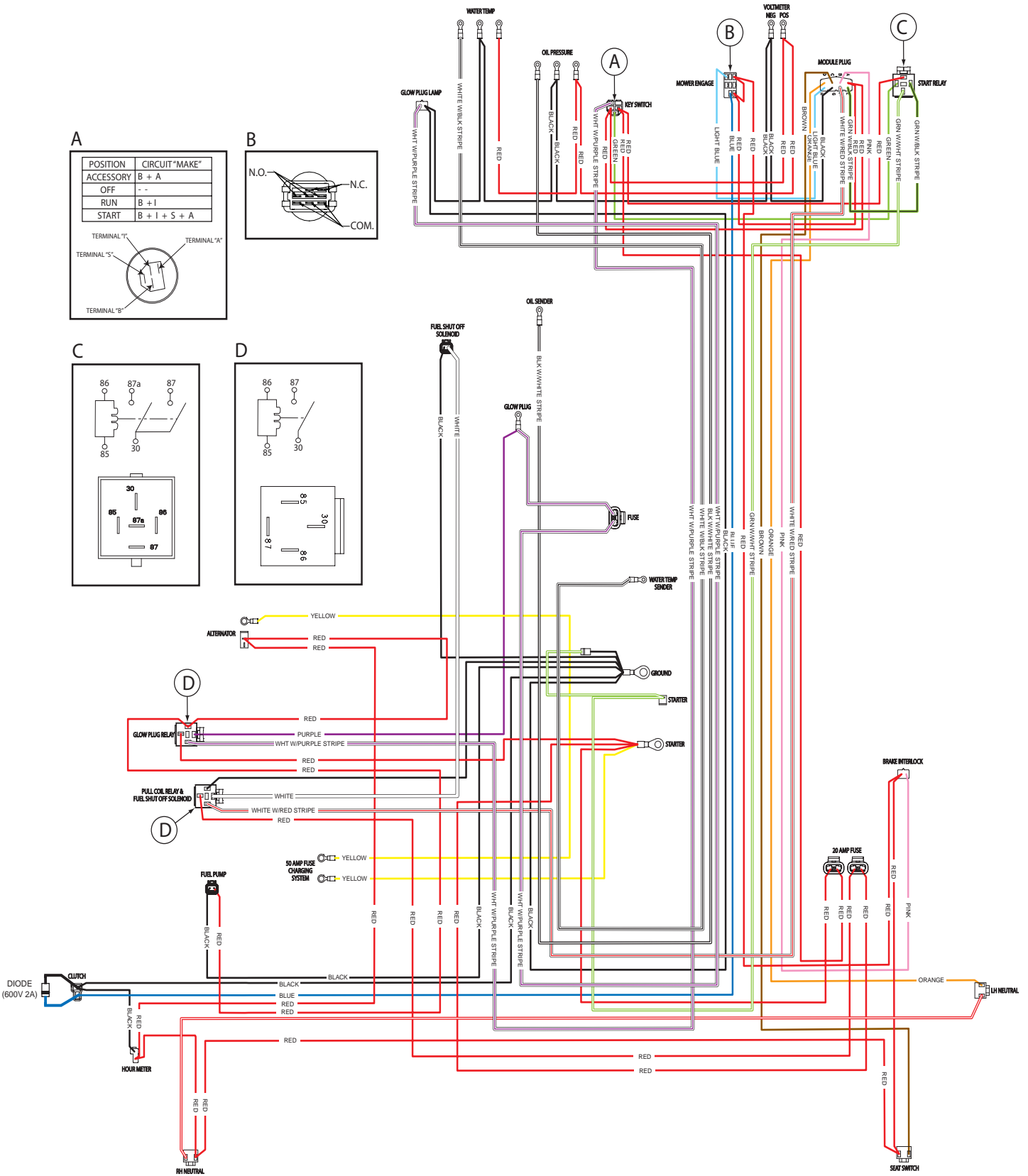


26

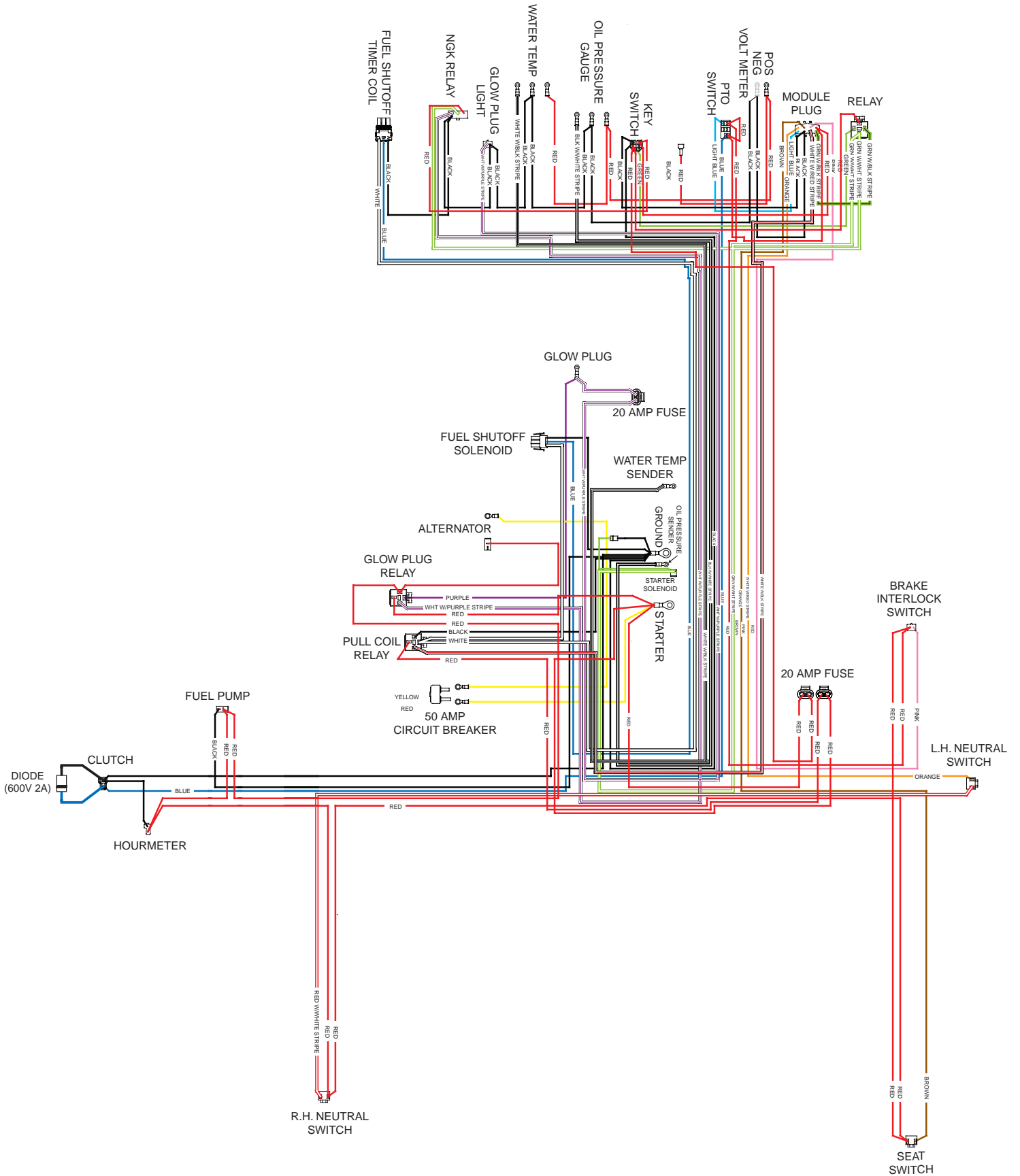


27

ELECTRICAL SCHEMATIC - CAT DIESEL



ELECTRICAL SCHEMATIC - KUBOTA DIESEL



Free Manuals Download Website

<http://myh66.com>

<http://usermanuals.us>

<http://www.somanuals.com>

<http://www.4manuals.cc>

<http://www.manual-lib.com>

<http://www.404manual.com>

<http://www.luxmanual.com>

<http://aubethermostatmanual.com>

Golf course search by state

<http://golfingnear.com>

Email search by domain

<http://emailbydomain.com>

Auto manuals search

<http://auto.somanuals.com>

TV manuals search

<http://tv.somanuals.com>