

# SCAG

## COMMERCIAL MOWERS

## TECHNICAL MANUAL

### MODELS

SW32-12B

SW36-12BS

SW36-12B

SW36-8J

SW36-13K

SW48-11B

SW48-12B

SW48-13K

SW52-13K

SW52-18KH

SW61-18KH

Scag Power Equipment, Inc.  
W226 N900 Eastmound Rd.  
Waukesha, Wi 53186

Part No. 01011  
Revised 9/87

# TABLE OF CONTENTS

SUBJECT	PAGE
Warranty -----	3
Safety Instructions	
Before Operating -----	4
While Operating -----	4
While Maintaining and Storing -----	5
Assembly Instructions -----	5
Adjustments -----	6
Initial Run-in -----	6
Lubrication -----	6
Operating Instructions -----	7
32" & 36" Cutter Deck -----	8-9
48", 52", & 61" -----	10-11
Engine Deck -----	12-14
Transmission -----	14-15
Handle Assembly -----	16-18
Wiring Diagram -----	20
Replacement Decals -----	19
Owner Reference -----	20

## WARNING

If incorrectly used, this machine can cause severe injury. Those who use and maintain the machine should be trained in its proper use, warned of its dangers, and should read the entire manual before attempting to set up, operate, adjust or service the machine.

## LIMITED WARRANTY—COMMERCIAL EQUIPMENT

This warranty extends to the original retail purchaser only and commences on the date of original retail purchase.

Any part of the Scag commercial mower manufactured by Scag and found in the reasonable judgment of Scag to be defective in material or workmanship, will be repaired or replaced by an Authorized Scag Service Dealer without charge for parts and labor.

The Scag mower including any defective part must be returned to an Authorized Scag Service Dealer within the warranty period. The expense of delivering the mower to the dealer for warranty work and the expense of returning it back to the owner after repair or replacement will be paid for by the owner. Scag's responsibility in respect to claims is limited to making the required repairs or replacements, and no claim of breach of warranty shall be cause for cancellation or rescission of the contract of sale of any Scag mower. Proof of purchase will be required by the dealer to substantiate any warranty claim. All warranty work must be performed by an Authorized Scag Service Dealer.

This warranty is limited to one year from the date of original retail purchase for any Scag mower that is used for commercial purposes, or any other income-producing purpose (90 days for rental use).

This warranty does not cover any mower that has been subject to misuse, neglect, negligence, or accident, or that has been operated in any way contrary to the operating instructions as specified in the Technical Manual. The warranty does not apply to any damage to the mower that is the result of improper maintenance, or to any mower or parts that have not been assembled or installed as specified in the Technical Manual.

The warranty does not cover any mower that has been altered or modified so as to adversely affect the product's operation, performance or durability or that has been altered or modified so as to change the intended use of the

product. In addition, the warranty does not extend to repairs made necessary by normal wear, or by the use of parts or accessories which, in the reasonable judgment of Scag, are either incompatible with the Scag mower or adversely affect its operation, performance or durability. This warranty does not cover engines, electric starters, batteries, belts and tires which are warranted separately by their manufacturer and for a different period of time.

Scag Power Equipment reserves the right to change or improve the design of any mower without assuming any obligation to modify any mower previously manufactured.

All other implied warranties are limited in duration to the one (1) year warranty period or ninety (90) days for mowers used for rental purpose. Accordingly, any such implied warranties including merchantability, fitness for a particular purpose, or otherwise, are disclaimed in their entirety after the expiration of the appropriate one year or ninety day warranty period. Scag's obligation under this warranty is strictly and exclusively limited to the repair or replacement of defective parts and Scag does not assume or authorize anyone to assume for them any other obligation. Some states do not allow limitations on how long an implied warranty lasts, so the above limitation may not apply to you.

Scag assumes no responsibility for incidental, consequential or other damages including, but not limited to, expense for gasoline, expense of delivering the mower to an Authorized Scag Service Dealer and expense of returning it back to the owner, mechanic's travel time, telephone or telegram charges, rental of a like product during the time warranty repairs are being performed, travel, loss or damage to personal property, loss of revenue, loss of use of the mower, loss of time or inconvenience. Some states do not allow the exclusion or limitation of incidental or consequential damages. So the above limitation or exclusion may not apply to you.

This warranty gives you specific legal rights, and you may also have other rights which vary from state to state.

## SAFETY INSTRUCTIONS

Your mower is only as safe as the operator! As with any type of power equipment, carelessness or error on the part of the operator may result in serious bodily injury. In addition, improper maintenance of the machine can also result in injury. To reduce the potential for injury, please read and follow these instructions on safe operation and be certain that anyone using this mower fully understands and complies with the following instructions.

### Before Operating

1. Read and understand the contents of this Technical Manual before operating the machine. Become familiar with all controls and know how to stop quickly. A free replacement manual is available by sending complete Model and Serial Number to:

Scag Power Equipment, Inc.  
W226 N900 Eastmound Drive  
Waukesha, Wi 53186

2. Do not allow children to operate the machine. Do not allow adults to operate the machine without proper instruction.

3. Before attempting to start engine, shift transmission into neutral, move blade clutch lever into STOP position and move neutral latch to NEUTRAL LOCK.

4. Remove all debris or other objects that might be picked up and thrown by the cutter blades. Keep all bystanders away from the mowing area.

5. Keep all shields, safety devices, and decals in place. If a shield, safety device or decal is defective or damaged, repair or replace it before operation is commenced. Also, tighten all loose nuts, bolts and screws to assure machine is in safe operating condition.

6. Do not operate machine while wearing sandals, tennis shoes, sneakers or shorts. Also, do not wear loose fitting clothing which could get caught in moving parts. Always wear long pants and substantial shoes. Wearing safety glasses and safety shoes is advisable and required by some local ordinances and insurance regulations.

7. Fill fuel tank with gasoline before starting the engine. Avoid spilling gasoline. Since gasoline is flammable, handle it carefully.

- A. Use an approved gasoline container.
- B. Do not fill tank while engine is hot or running.
- C. Do not smoke while handling gasoline.
- D. Fill fuel tank outdoors and up to about one inch (25 mm) below the bottom of the filler neck.
- E. Wipe up any spilled gasoline.

### While Operating

8. Start engine when neutral latches are in neutral lock position, cutter blades are disengaged, and transmission is in neutral.

9. Do not run the engine in a confined area without adequate ventilation. Exhaust fumes are hazardous and could possibly be deadly.

10. Using the machine demands attention. To prevent loss of control:

- A. Mow only in daylight or when there is good artificial light.
- B. Watch for holes or other hidden hazards.
- C. Do not drive close to a drop-off, ditch, creek or other hazard.
- D. Reduce speed when making sharp turns and when turning on hillsides.
- E. Always be sure of your footing. Keep a firm hold on the handle and walk--never run.
- F. Do not operate where conditions are slippery.

11. The discharge chute must always be installed and in the down position on the side discharge cutting unit except when optional grass catcher is completely installed. If the cutting unit discharge ever plugs, shut engine off and wait for all movement to stop before removing obstruction.

12. Disengage the blades and wait for them to stop before crossing gravel drives, walks or roads.

13. Shut the engine off and wait until the blades come to a complete stop before removing the grass catcher container.

14. Never raise the cutting unit while the blades are rotating.

15. If the cutting blades should strike a solid object or the equipment should start to vibrate abnormally, stop the engine, disconnect the spark plug wire, and check immediately for the cause. Vibration is generally a warning of trouble. Check the cutting unit and traction unit for damaged or defective parts. Repair any damage before starting the engine and operating the cutter unit. Be sure blades are in good condition and blade bolts are tight.

16. Always park the mower and/or start the engine on a level surface. If this is not possible, block the wheels to prevent the mower from moving when you are not in the operator's position.

17. Cut grass slopes carefully. Do not start, stop, or turn suddenly. Mow across the face of slopes; never up or down. Do not mow excessively steep slopes.

18. Do not touch engine or muffler while engine is running or soon after it is stopped. These areas could be hot enough to cause a burn.

19. Before leaving the operator's position or leaving mower unattended, shift transmission into NEUTRAL, place neutral latches in NEUTRAL LOCK position, move cutter blade engagement lever to STOP and shut OFF engine.

20. Do not pass or stand on the grass discharge side of any mower with the engine running. Stop operation when another person approaches.

### Maintenance and Storage

21. Disconnect high tension wire from spark plug to prevent accidental starting of the engine when servicing, adjusting or storing the machine.

22. If tractor and mower must be tipped to perform maintenance or adjustment, drain gasoline from fuel tank and oil from crankcase.

23. To reduce potential fire hazard, keep the engine free of excessive grease, grass, leaves and accumulations of dirt.

24. Be sure machine is in safe operating condition by keeping nuts, bolts, and screws tight. Check the blade mounting bolts and nuts frequently to be sure they are tightened.

25. If the engine must be running to perform a maintenance adjustment, keep hands, feet, clothing and other parts of the body away from the cutting unit blades and other moving parts.

26. Do not overspeed the engine by changing governor settings. To be sure of safety and accuracy, have an authorized dealer check maximum engine speed with a tachometer.

27. Engine must be shut off before checking oil or adding oil to the crankcase.

28. Allow engine to cool before storing mower in any enclosure such as a garage or storage shed. Make sure the mower fuel tank is empty if machine is to be stored in excess of 30 days. Do not store mower near any open flame or where gasoline fumes may be ignited by a spark.

29. Always store gasoline in a safety-approved, red metal container.

30. Keep the mower and fuel container in locked storage to prevent children from playing and tampering with them.

31. Perform only those maintenance instructions described in this manual. If major repairs are ever needed or assistance is desired, contact an Authorized Scag Dealer. To ensure optimum performance and safety, always purchase genuine SCAG replacement parts and accessories. NEVER USE "WILL-FIT" replacement parts and accessories made by other manufacturers. Using unapproved replacement parts and accessories may void the warranty.

---

---

## ASSEMBLY INSTRUCTIONS

1. Lay out loose bolts and nuts according to the "Where Used" as listed in the loose parts packing list.

2. Install front caster wheel assemblies using four 5/16-18 x 3/4 bolts, lockwashers and nuts per assembly.

3. Install handle assembly using middle of three slotted holes in handle mounting frame for normal height of handle. Use four 3/8-16 x 1 bolts, flat washers and elastic stop nuts.

4. Route throttle cable above RH jackshaft and up right side of handle. Secure to handle 1/4-20 x 2 hex head bolt and elastic stop nut. Check for full travel of control on engine. Use cable tie to secure cable to handle tube about half way down handle tube.

5. Insert shift lever assembly through slot in panel attached to handle mounting frame. Fasten to shift lever using two 5/16-18 x 1 bolts, flat washers, lock washers and nuts. Be sure to center lever in slot at 1-2-3-4 travel.

6. Route fuel hose up through large slot in handle mounting frame and connect fuel valve to fuel tank securing with a hose clamp. (This must be done before mounting fuel tank.) Set fuel tank in place on top of rubber pads with "Danger" decal towards rear. Loop straps through slots in handle mounting frame. Form straps to approximate contour of fuel tank with ends facing front. Secure with two 1/4-20 x 2 round head screws and nuts. Draw down until strap is completely snug around tank.

## Assembly Instructions Cont'd

7. Install steering control rods on each side by threading into swivel joint at idler bracket weldment. Insert steering control rod into brake lever assembly and neutral latch. Secure with small hair pin.

8. Install upper belt clutch rod between blade clutch lever assembly and clutch bell crank weldment with ends facing inward. Secure with large hairpins.

9. Install discharge chute using two 5/16-18 x 1 bolts and elastic stop nuts.

10. Fill engine crankcase with oil using viscosity and quantity as specified in engine manual.

**NOTE:** The engine does NOT have oil in the crankcase when shipped.

11. Fill fuel tank with gasoline up to one inch (25 mm) below the filler neck. Use gasoline as specified in engine manual. Open valve under fuel tank.

---

## ADJUSTMENTS

1. Check that all belts clear their guides by 1/8 to 1/4 inches.

2. Reduce drive wheel tire pressure to about 15 psi. Tires are over-inflated for shipment.

3. Adjust tension of blade drive belt by rotating turnbuckle so that about 10 pound pull sideways deflects belt about 1/2 inch. **DO NOT OVERTIGHTEN.** Only a moderate force should be required on the engagement lever.

4. Check tension of transmission drive belt (under engine deck). A five pound pull sideways should deflect belt about 3/16 inch. Slide idler pulley if required to adjust.

5. The tension of the two Twin Power Wheel Drive belts is self-adjusting. However, for adequate declutching, adjust length of steering control rods on each side of handle until about 1/4 inch gap is provided between rod and bottom of neutral latch slot, when neutral latch is in drive position. **NOTE:** After belts are broken in, gap may be increased to 1/2 inch to reduce brake lever travel.

6. Adjust brake rods so that brakes will lock wheels while pulling machine back when brake levers are fully squeezed. Check that machine rolls freely when neutral latches are in neutral lock position.

---

## INITIAL RUN-IN

**▲ Warning!** Use extreme caution during mower's initial run-in to assure caster wheels are adequately blocked and drive wheels do not inadvertently contact ground. Keep bystanders away from machine. Never allow anyone to pass in front of mower discharge opening. Never leave the machine unattended during the initial run-in.

1. Lubricate all fittings as specified in Lubrication Section.

2. Locate machine in a secure area, away from bystanders, and preferably facing a wall. Raise drive wheels off ground. Block caster wheels.

3. Start engine and shift transmission into fourth gear. Engage cutter blades. Have throttle at about 3/4 of full engine rpm.

4. Run machine for 30 to 45 minutes.

5. Declutch cutter blades, shift transmission into NEUTRAL, Stop engine.

6. Check tension of blade drive belt(s) and transmission drive belt. Adjust if necessary.

7. Readjust steering control and brake rods as indicated in paragraphs five and six of Adjustments Section.

8. Check function of all safety interlocks. Make sure that engine will not start unless transmission is in neutral and blade clutch is disengaged.

9. Check tire pressure and adjust to:

Caster Wheels	24 psi.
Drive Wheels	15 psi.

**YOU ARE NOW READY FOR MOWING WITH CONFIDENCE!**

---

## LUBRICATION

Every day (or up to once a week depending on environment) lubricate:

Cutter Blade Spindle Bearings

Every 100 hours of operation lubricate the following parts and wipe off all excess grease:

Caster Wheel Bearings  
Caster Wheel Pivot Shafts  
Idler Pulley Bracket Pivot Bearings  
Drive Wheel Bearings  
Traction Idler Pivot  
Bell Crank Pivot

Do not spill lubricant on wheel drive belts.

Every 200 hours lubricate the following parts and wipe off all excess grease:

Brake Lever Pivot  
Transmission Couplers

NOTE: Transmission is permanently lubricated and does not require service.

---

---

## OPERATING INSTRUCTIONS

1. Read and understand the instructions on safety before attempting to operate.
2. Before starting engine:
  - \*Fuel valve must be opened.
  - \*Transmission must be in NEUTRAL.
  - \*Blade clutch lever must be in STOP position.
  - \*Neutral latches must be in NEUTRAL LOCK position.
  - \*Key switch on.
  - \*Choke as required.

3. Start Engine. Adjust throttle.

4. Engage cutter blades by pushing blade clutch lever forward until it snaps to rest. Pull lever back to disengage cutter blades.

5. Shift transmission into gear for desired mowing speed.

NOTE: Fourth speed is only for transport!

6. While squeezing steering brake levers with both hands, release both neutral latches.

7. When steering brake levers are released, machine will travel straight. To make turns, squeeze either lever.

8. TO STOP wheel drive, squeeze both levers, lock neutral latches, shift transmission into neutral.



WARNING! To avoid serious bodily injury and damage to transmission, machine must be at full stop before shifting from forward to reverse or from reverse to forward.

9. In reverse gear, the steering brake levers must be pushed downward for maximum traction.

*And finally:*

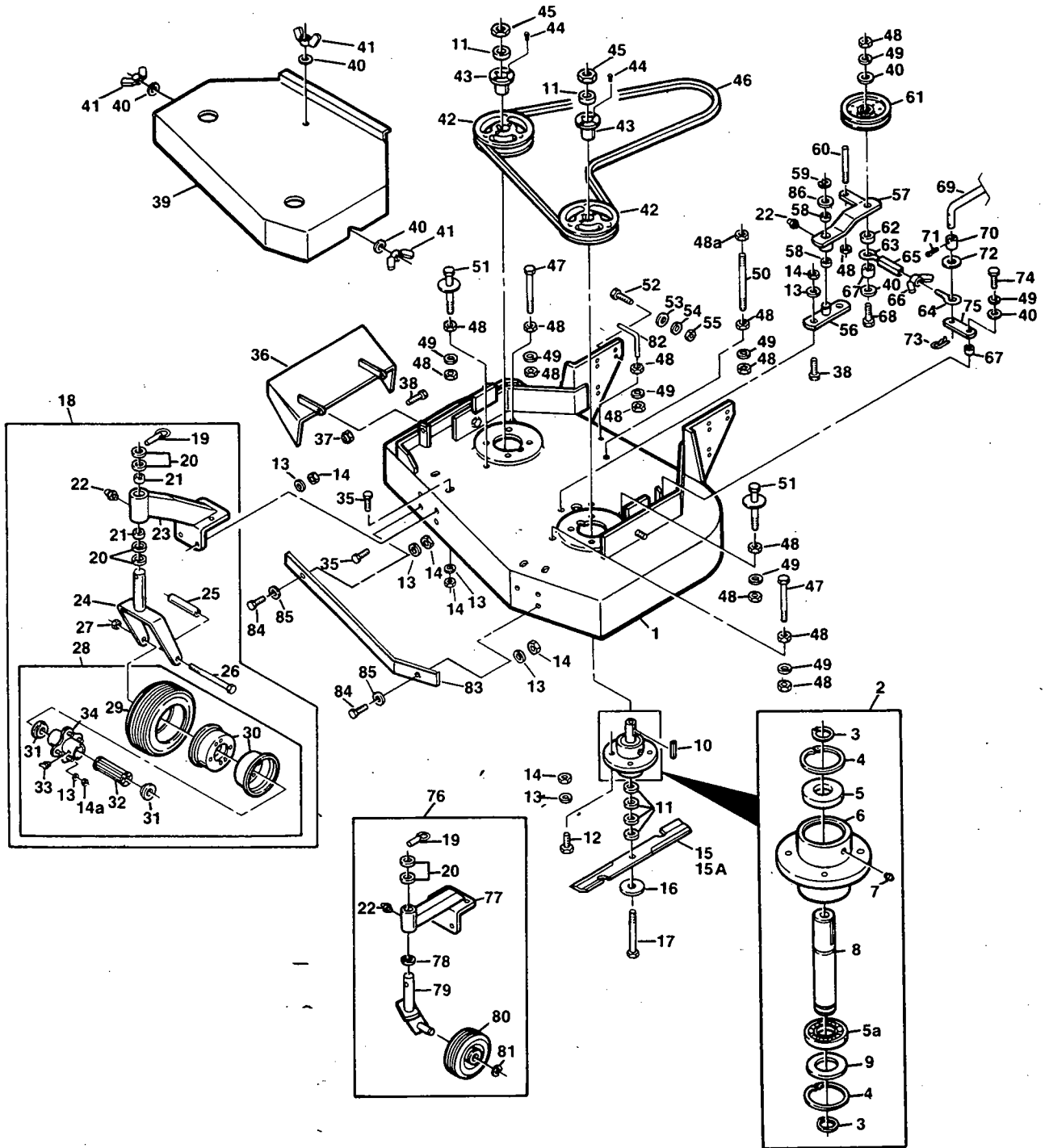
## PLEASE BE CAREFUL

1. Keep all shields in place, especially grass discharge.
2. Stop machine and remove spark plug wire to adjust or service.
3. When mechanism becomes clogged, stop engine before cleaning.
4. Keep hands, feet and clothing away from power-driven parts.
5. Keep off implement unless seat or platform is provided.
6. Keep others off.

FAILURE TO FOLLOW CAUTIOUS OPERATING PRACTICES MAY RESULT IN SERIOUS BODILY INJURY.

BESIDES, WE WOULD LIKE YOU TO CONTINUE TO ENJOY AND PROFIT BY USING OUR PRODUCTS.

# 32" & 36" CUTTER DECKS





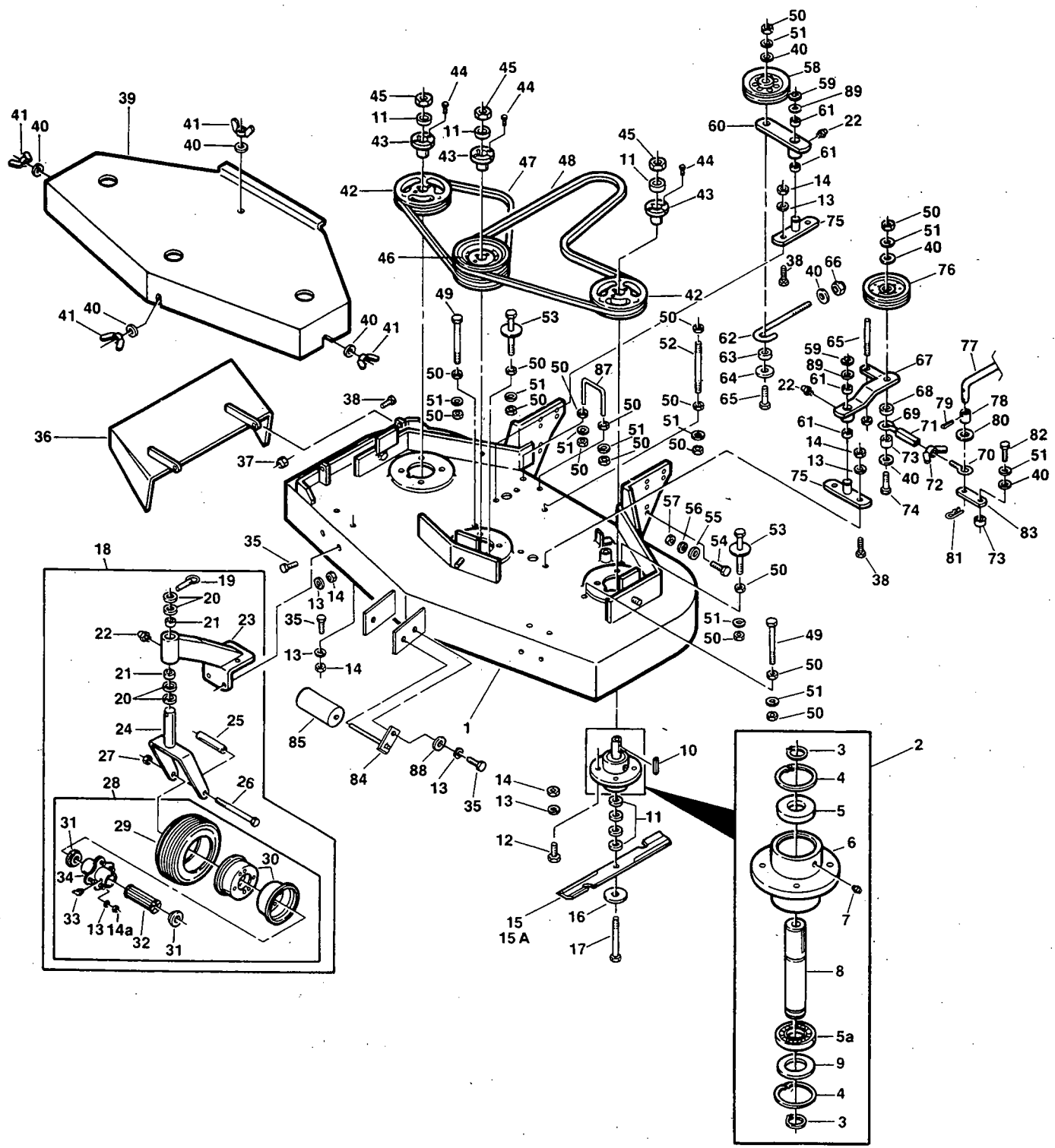
## 32" & 36" CUTTER DECK

*See Page 8 For Illustration*

REF. NO.	PART NO.	DESCRIPTION	SWM			REF. NO.	PART NO.	DESCRIPTION	SWM		
			32	36	BS				32	36	BS
1	46087	Cutter Deck Wld (incl. Decal)		x	x	41	04022-04	Wing Nut, 3/8-16 elastic stop	x	x	x
1	45126	Cutter Deck Wld	x			42	48127	Pulley (incl.43-44)	x	x	x
2	46020	Cutter Spindle Assy(incl 3-9)	x	x	x	43	48141	Tapered Hub	x	x	x
3	04050-04	Retaining Ring,1"Ext.-Inverted	x	x	x	44	*	Hex Hd Bolt, 1/4-20x3/4	x	x	x
4	04050-07	Retaining Ring,2-7/16 Int.bsc	x	x	x	45	*	Hex Nut, 5/8-11	x	x	x
5	48101-01	Bearing Cutter Spindle Upper	x	x	x	46	48204	Belt, Blade Drive		x	x
5a	48101-02	Bearing Cutter Spindle Lower	x	x	x	46	48278	Belt, Blade Drive	x		
6	41001	Spindle Housing	x	x	x	47	*	Hex Hd Bolt, 3/8-16x5	x	x	x
7	48114-02	Grease Fitting,Str 5/16 Serr	x	x	x	48	*	Hex Nut,3/8-16	x	x	x
8	43001-02	Spindle,Cutter Blade	x	x	x	48a	*	Hex Nut,3/8-16 Ctr Locknut	x	x	x
9	04041-02	Washer,1-5/16x2-13/32x16 ga	x	x	x	49	*	Lockwasher, Spring 3/8	x	x	x
10	04063-08	Key,1/4x1/4x2	x	x	x	50	04004-02	Support, Belt Cover	x	x	x
11	43038	Spacer,Cutter Blade	x	x	x	51	45098	Belt Guide Wld	x	x	x
12	*	Hex Hd Bolt,5/16-18x1-1/4	x	x	x	52	*	Hex Hd Bolt,7/16-14x1-1/4	x	x	x
13	*	Lockwasher, Spring 5/16	x	x	x	53	*	Washer,15/32x59/64x16 ga.	x	x	x
14	*	Hex Nut 5/16-18	x	x	x	54	*	Lockwasher, Spring, 7/16	x	x	x
14a	*	Hex Nut 5/16-24	x	x	x	55	*	Hex Nut,7/16-14	x	x	x
15	48108	Cutter Blade 18"		x	x	56	45037	Idler Pivot Wld	x	x	x
15	48110	Cutter Blade 16 1/2"	x			57	46145	Idler Arm Assy.(incl.22&58)	x	x	x
15a	48185	Cutter Blade 18" Hi Lift		x	x	58	48100-05	Bronze Bearing	x	x	x
15a	48184	Cutter Blade 16 1/2"	x			59	04050-02	Retaining Ring,3/4 Ext,-"E"	x	x	x
16	04040-10	Flat Washer,5/8 W	x	x		60	04004-04	Stud	x	x	x
17	04001-41	Hex Hd Bolt,5/8-11x9-1/2	x	x	x	61	48269	Idler Pulley, Belt Clutch	x	x	x
18	46079	Caster Assy.(incl.19-28)		x		62	43063	Spacer, Idler	x	x	x
19	04066-01	Quick Pin	x	x	x	63	04070-02	Eyebolt,LH	x	x	x
20	43037-01	Spacer,Caster Yoke,1/2" long	x	x	x	64	04070-01	Eyebolt,RH	x	x	x
21	48100-01	Bronze Bearing		x		65	43025	Turnbuckle	x	x	x
22	48114-01	Grease Fitting, Str. 1/4-28	x	x	x	66	04022-02	Wing Nut, 5/16-18	x	x	x
23	46082	Support Assy.(incl.21-22)		x		67	43042	Sleeve, Clutch Rod	x	x	x
24	45006	Caster Yoke Wld		x		68	*	Hex Hd Bolt,3/8-16x2-3/4	x	x	x
25	43022	Sleeve, caster wheel brg.		x		69	44003	Blade Clutch Rod, Lower	x	x	x
26	04001-37	Hex Hd Bolt, 1/2-13x5-1/2		x		70	43043	Sleeve,Clutch Rod	x	x	x
27	*	Hex Locknut,1/2-13		x		71	*	Cotter Pin,3/32x1	x	x	x
28	48006-01	Wheel Assy, (incl.13-14a,29-34)		x		72	*	Washer. 33/64x1x16ga.	x	x	x
29	48006-02	Tire Only Caster Wheel		x		73	04062-01	Hair Pin, large	x	x	x
NS	48006-03	Inner Tube for 48006-01		x		74	*	Hex Hd Bolt, 3/8-16x1	x	x	x
30	48006-04	Rim Pair,Caster Wheel		x		75	42057	Cam Link	x	x	x
31	48006-07	Retainer, Bearing, Caster wheel		x		76	46078	Caster Assy(incl.19-20,22,77-81)	x	x	x
32	48006-06	Roller Bearing,Caster Wheel		x		77	45102	Caster Support Wld.	x	x	x
33	48114-03	Grease Fitting,45' 1/4-28		x		78	43037-02	Spacer,Caster Yoke,1/4 long	x	x	x
34	48006-05	Hub Assy, Caster Wheel		x		79	45103	Caster Yoke Wld.	x	x	x
35	*	Hex Hd Bolt,5/16-18x3/4	x	x	x	80	48195	Caster Wheel Assy.	x	x	x
36	45100	Discharge Chute Wld	x	x	x	81	04050-01	Retaining Ring,5/8 Ext.-E	x	x	x
37	*	Hex Nut, 5/16-18 Elastic Stop	x	x	x	82	44009	Belt Guide	x	x	x
38	*	Hex Hd bolt, 5/16-18x1	x	x	x	83	42288	Bumper Ballast		x	x
39	46085	Belt Cover Assy (incl. Decal)		x	x	83	42350	Bumper Ballast		x	
39	46157	Belt Cover Assy. (incl. Decal)		x		84	*	Hex Hd Bolt, 5/16-18x1 1/2	x	x	x
40	*	Washer,25/64x15/16x12ga.	x	x	x	85	*	Flat Washer,5/16	x	x	x
						86	04041-08s	Washer,3/4x1 1/4x.035	x	x	x

\* Common hardware should be purchased locally. All bolts are Grade 5 plated, all other fasteners are zinc plated.

# 48", 52", & 61" CUTTER DECKS



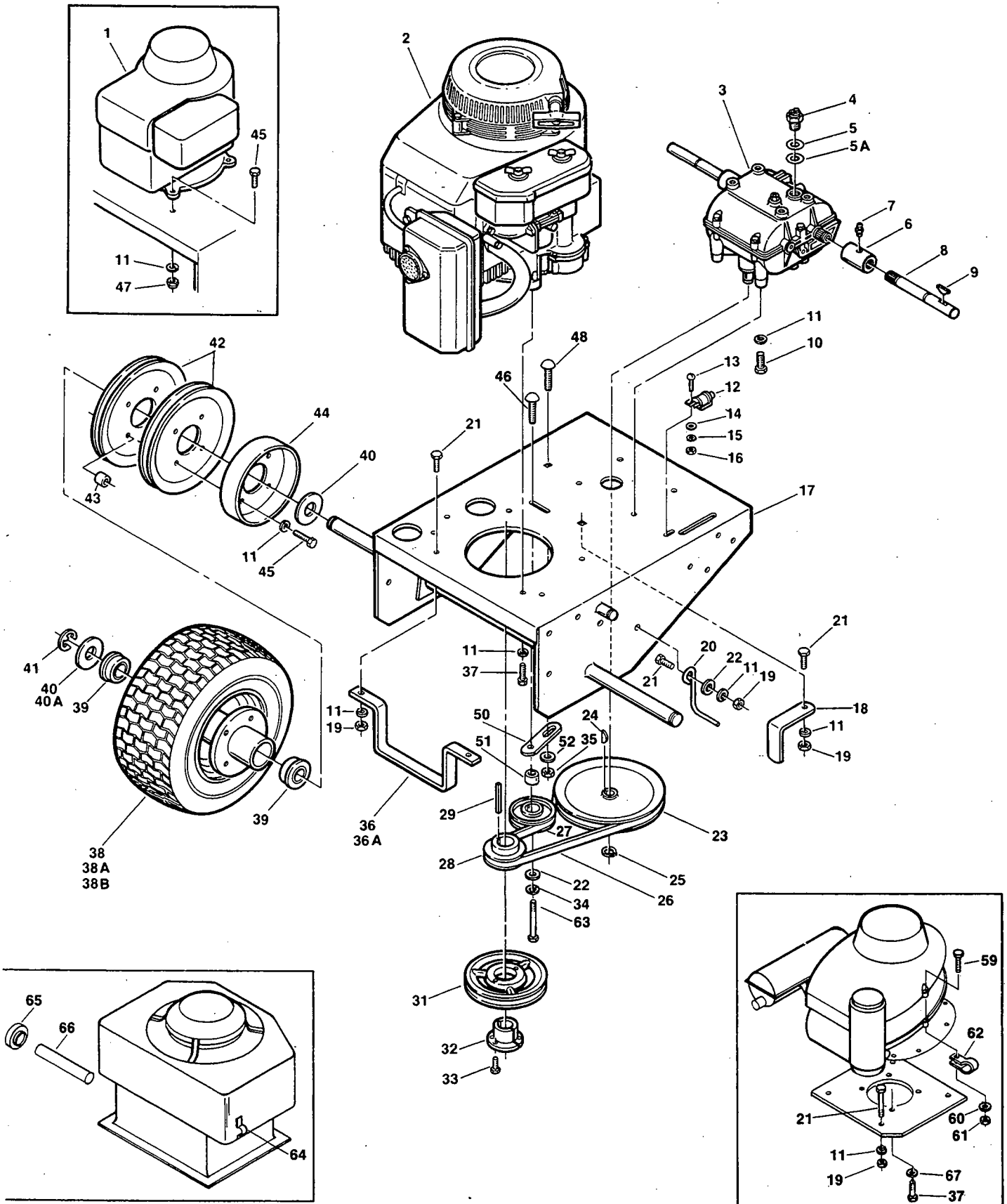
# 48", 52", & 61" CUTTER DECKS

*See Page 10 For Illustration*

REF. NO.	PART NO.	DESCRIPTION	SWM 485261	REF. NO.	PART NO.	DESCRIPTION	SWM 485261
1	46088	Cutter Deck Weld.(incl. decal)	x	42	48127	Pulley (incl. 43-44)	x x x
1	46163	Cutter Deck Weld.(incl. decal)	x	43	48141	Tapered Hub	x x x
1	46119	Cutter Deck Weld.(incl. decal)	x x	44	*	Hex Hd Bolt 1/4-20 x 3/4	x x x
2	46020	Cutter Spindle Assy.(incl.3-9)	x x x	45	*	Hex Nut, 5/8-11	x x x
3	04050-04	Retaining Ring,1" Ext.-Inverted	x x x	46	48129	Pulley, Double (incl.43-44)	x x x
4	04050-07	Retaining Ring,2-7/16"Int.basic	x x x	47	48087	Belt,R H Blade Drive	x
5	48101-01	Bearing,Cutter Spindle upper	x x x	47	48285	Belt,R H Blade Drive	x
5a	48101-02	Bearing,Cutter Spindle lower	x x x	47	48265	Belt,R H Blade Drive	x
6	41001	Spindle Housing	x x x	48	48089	Belt, Blade Drive	x
7	48114-02	Grease Fitting Str. 5/16 Serr.	x x x	48	48286	Belt, Blade Drive	x
8	43001-02	Spindle, Cutter Blade	x x x	48	48264	Belt, Blade Drive	x
9	04041-02	Washer, 1-5/16 x 2-13/32x 16 ga	x x x	49	*	Hex Hd Bolt, 3/8-16 x 5"	x x x
10	04063-08	Key,1/4 x 1/4 x 2	x x x	50	*	Hex nut, 3/8-16	x x x
11	43038	Spacer, Cutter Blade	x x x	50a	*	Hex Nut 3/8-16, Centerlock	x x x
12	*	Hex Hd Bolt,5/16-18x1-1/4	x x x	51	*	Lockwasher, Spring, 3/8	x x x
13	*	Lockwasher, Spring,5/16	x x x	52	04004-02	Support, Belt Cover	x x x
14	*	Hex Nut,5/16-18	x x x	53	45098	Belt Guide Wld.	x x x
14a	*	Hex Nut,5/16-24	x x x	54	*	Hex Hd Bolt, 7/16-14 x 1-1/4	x x x
15	48110	Cutter Blade 16-1/2"	x	55	*	Washer, 15/32 x 59/64 x 16 ga.	x x x
15	48108	Cutter Blade 18"	x	56	*	Lock Washer, Spring, 7/16	x x x
15	48111	Cutter Blade 21"	x	57	*	Hex Nut, 7/16-14	x x x
15a	48184	Cutter Blade 16-1/2" Hi Lift	x	58	48181	Idler Pulley, "V" Groove	x x x
15a	48185	Cutter Blade 18" Hi Lift	x	59	04050-02	Retaining Ring, 3/4" Ext."E"	x x x
16	04040-10	Flat Washer, 5/8"W	x x x	60	46081	Idler Arm Assy.(incl.22 & 66)	x x x
17	04001-41	Hex Hd Bolt,5/8-11 x 9-1/2"	x x x	61	48100-05	Bronze Bearing	x x x
18	46079	Caster Assy,Comp.(incl.19-28)	x x x	62	43028	Rod, Idler Pull, J	x x x
19	04066-01	Quick Pin	x x x	63	43077	Spacer, J Pull Rod	x x x
20	43037-01	Spacer, Caster Yoke, 1/2" long	x x x	64	04041-12	Washer, 3/8 x 1-1/2 x 16 ga.	x x x
21	48100-01	Bronze Bearing	x x x	65	*	Hex Hd Bolt, 3/8-16 x 2-1/4	x x x
22	48114-01	Grease Fitting, Str., 1/4-28	x x x	65a	04004-04	Stud	x x x
23	46082	Support Assy.(incl.21-22)	x x x	66	*	Hex Nut, 3/8-16 Elastic Stop	x x x
24	45006	Caster Yoke Wld.	x x x	67	46145	Idler Arm (incl.22 & 61)	x x x
25	43022	Sleeve, Caster Wheel Bearing	x x x	68	43063	Spacer	x x x
26	04001-37	Hex Hd Bolt,1/2-13 x 5-1/2"	x x x	69	04070-02	Eyebolt, L H	x x x
27	*	Hex Locknut, 1/2-13	x x x	70	04070-01	Eyebolt, R H	x x x
28	48006-01	Wheel Assy.(incl.13-14a,29-34)	x x x	71	43025	Turnbuckle	x x x
29	48006-02	Tire only, Caster Wheel	x x x	72	04022-02	Wing Nut, 5/16-18	x x x
	48006-03	Inner Tube only, Caster Wheel	x x x	73	43042	Sleeve, Cam Clutch	x x x
30	48006-04	Rim Pair, Caster Wheel	x x x	74	*	Hex Hd Bolt, 3/8-16 x 2-3/4	x x x
31	48006-07	Retainer, Bearing, Caster Wheel	x x x	75	45037	Idler Pivot Wld.	x x x
32	48006-06	Roller Bearing, Caster Wheel	x x x	76	48269	Idler Pulley, Belt Clutch	x x x
33	48114-03	Grease Fitting 45° 1/4-28	x x x	77	44003	Blade Clutch Rod, Lower	x x x
34	48006-05	Hub Assy, Caster Wheel	x x x	78	43043	Sleeve, Clutch Rod	x x x
35	*	Hex Hd Bolt, 5/16-18 x 3/4"	x x x	79	*	Cotter Pin, 3/32 x 1	x x x
36	45029	Discharge Chute Wld	x x	80	*	Washer, 33/64 x 1 x 16 ga	x x x
36	45100	Discharge Chute Wld	x	81	04062-01	Hair Pin Large	x x x
37	*	Hex Nut, 5/16-18 Elastic Stop	x x x	82	*	Hex Hd Bolt, 3/8-16 x 1	x x x
38	*	Hex Hd Bolt, 5/16-18 x 1	x x x	83	42057	Cam Link	x x x
39	46086	Belt Cover Assy.(incl.Decals)	x	84	45046	Roller Shaft Wld	x x
39	46164	Belt Cover Assy.(incl. Decals)	x	85	48038	Guide Roller	x x
39	46121	Belt Cover Assy.(incl. Decals)	x	86	*	Flat Washer, 11/32x11/16x16ga	x x
40	*	Washer 25/64 x 15/16 x 12 ga.	x x x	87	44008	Belt Guide	x x x
41	04022-04	Wing Nut,3/8-16	x x x	88	*	Flat Washer, 5/16	x x x

\*Common hardware should be purchased locally.  
All bolt Grade 5,All other Fasteners Zinc Plated.

# ENGINE DECK



# ENGINE DECK

See Page 12 For Illustration

REF. NO.	PART NUMBER	DESCRIPTION (Model #)	SW	SW	SW	SW	SW	SW	SW	SW	
			32	36	36	36	48	48	52	52	61
			12B	12B	13K	8J	12B	13K	13K	18KH	18KH
1	48268	Engine 18HP Kohler (MV18 PS-58511)								x	x
1	48273	Engine 8HP JLO				x					
1	48271	Engine 12HP Briggs (281702 type 0152-01)	x	x			x				
2	48190	Engine 12.5 Kawasaki (FB460-ES05)			x			x	x		
3	48191	Transmission (PEERLESS-700-022)	x	x	x	x	x	x	x	x	x
4	48231	Neutral safety switch	x	x	x	x	x	x	x	x	x
5	48122-01	Fibre washer, thin	x	x	x	x	x	x	x	x	x
5a	48122-02	Fibre washer, thick	x	x	x	x	x	x	x	x	x
6	48226	Coupler, jackshaft	x	x	x	x	x	x	x	x	x
7	48114-01	Grease ftg, str.1/4-28	x	x	x	x	x	x	x	x	x
8	48225	Jackshaft	x	x	x	x	x	x			
8a	48242	Jackshaft							x	x	x
9	04063-09	Key, Hi-Pro #9	x	x	x	x	x	x	x	x	x
10	*	Hex Hd Bolt, 5/16-18x3/4	x	x	x	x	x	x	x	x	x
11	*	Lockwasher, Spring 5/16	x	x	x	x	x	x	x	x	x
12	48211	Clutch Safety Switch (Black Housing)	x	x	x	x	x	x	x	x	x
13	*	Mach.Scr, Phil, 10-32x1/2	x	x	x	x	x	x	x	x	x
14	*	Washer .219 x.500 x.049	x	x	x	x	x	x	x	x	x
15	*	Lockwasher, #10 Ext. Tooth	x	x	x	x	x	x	x	x	x
16	*	Hex Nut #10-32	x	x	x	x	x	x	x	x	x
17	45090	Engine Deck Wid.		x	x	x	x	x			
17	45116	Engine Deck Wid.							x	x	x
17	45128	Engine Deck Wid.	x								
18	42263	Rear Belt Guide, Engine	x	x	x	x	x	x	x	x	x
19	*	Hex Nut, 5/16-18	x	x	x	x	x	x	x	x	x
20	44006	Belt Guide, Traction Dr.	x	x	x	x	x	x	x	x	x
21	*	Hex Head Bolt, 5/16-18x1	x	x	x	x	x	x	x	x	x
21a	04003-04	Carriage Hd 5/16-18x1	x	x	x	x	x	x	x	x	x
22	*	Washer, 25/64x15/16x1/2 Go.	x	x	x	x	x	x	x	x	x
23	48197	Pulley, Trans. Input	x	x	x	x	x	x	x	x	x
24	04063-07	Key, Woodruff #9	x	x	x	x	x	x	x	x	x
25	04050-09	Retaining Ring, 5/8 Ext. Basic	x	x	x	x	x	x	x	x	x
26	48203	Belt, Transmission Drive	x	x	x	x	x	x	x	x	x
27	48201	Idler Pulley, Transmission	x	x	x	x	x	x	x	x	x
28	48196	Pulley, Traction Drive	x	x	x		x	x	x	x	x
28	48249	Pulley, Traction Drive				x					
29	04063-03	Key, 1/4x17/4x2-1/2	x	x	x		x	x	x	x	x
29	04063-10	Key, 3/16x13/16x2-1/2				x					
31	48127	Pulley, Belt Dr (Incl 32-33)	x	x	x		x	x	x	x	x
31	48247	Pulley, Belt Dr (Incl 32-33)				x					
32	48141	Taper Hub (for 48127)	x	x	x		x	x	x	x	x
32	48248	Taper Hub (for 48247)				x					
33	*	Hex Hd Bolt, 1/4-20x3/4	x	x	x	x	x	x	x	x	x
34	*	Lockwasher, Spring, 3/8	x	x	x	x	x	x	x	x	x
35	*	Hex Nut, 3/8-16	x	x	x	x	x	x	x	x	x
36	42268	Belt Guide Wid. Saddle M32, M36	x	x	x	x					
36A	42265	Belt Guide Wid. Saddle M48, M52, M61					x	x	x	x	x
37	*	Hex Hd Bolt, Metric 8x25	x	x	x		x	x	x	x	x
37	*	Hex Hd Bolt, Metric 10x30				x					
38	48192-01	Drive Wheel Assy (Incl. 38A-38B)		x	x	x	x	x	x	x	x
38	48253	Drive Wheel Assy (Incl. 38C-38D)	x								
38A	48192-01	Tire, 13 x 6.50-6,2-Ply	x	x	x	x	x	x	x	x	x

ENGINE DECK CONTINUED ON FOLLOWING PAGE.

\* Common Hardware Should be Purchased Locally. All Bolts Grade 5 Plated, All other Fasteners Zinc Plated

## ENGINE DECK CONT'D

*See Page 12 For Illustration*

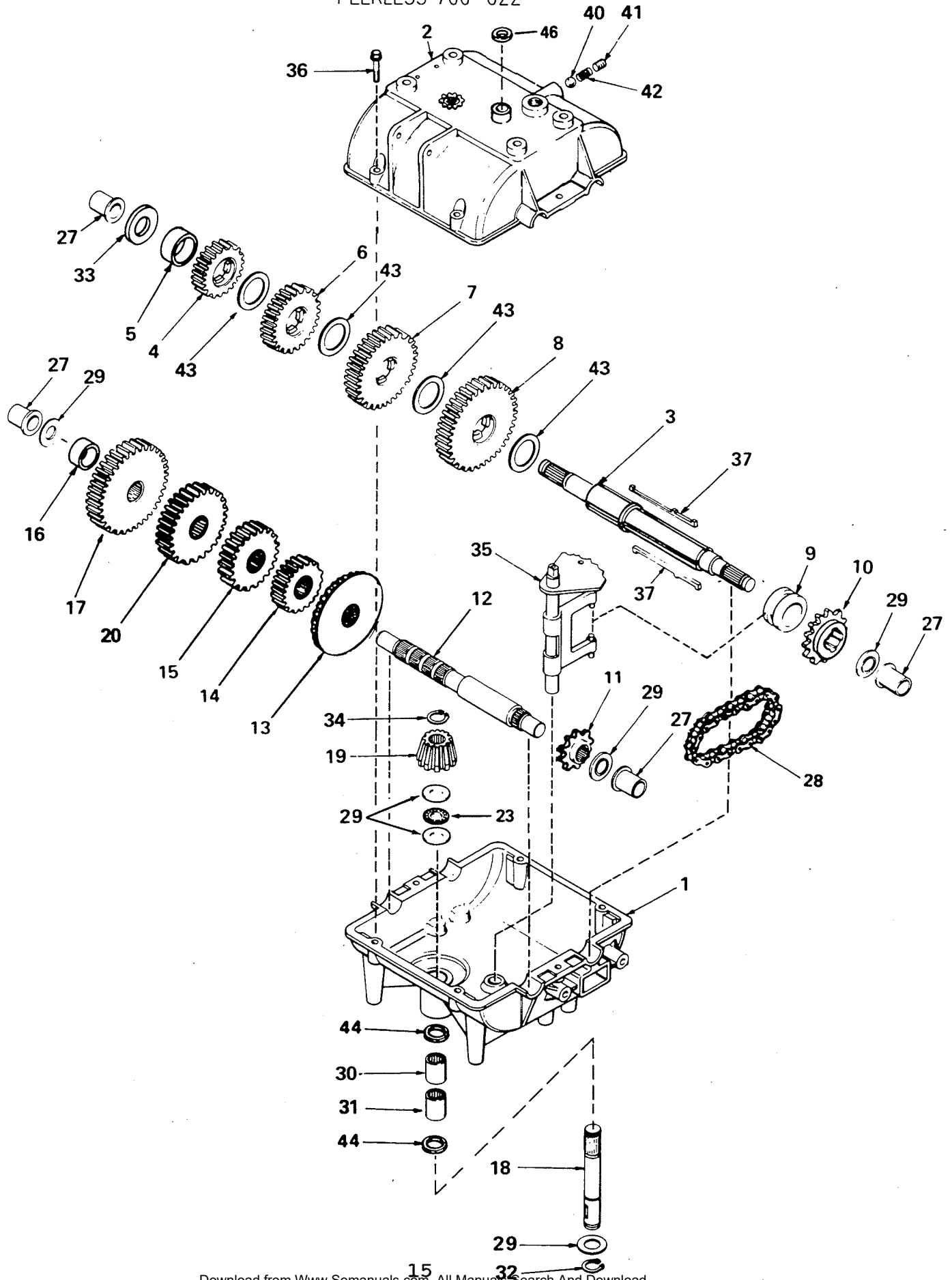
REF. NO.	PART NUMBER	DESCRIPTION	SW 32	SW 36	SW 36	SW 36	SW 48	SW 48	SW 52	SW 52	SW 61
			12B	12B	13	8J	12B	13K	13K	18KH	18KH
38B	48192-03	Rim & Bearing Assy (Incl.39)	x	x	x	x	x	x	x	x	x
38C	48253-02	Tire, 13 x 5.00-6 2Ply	x								
38D	48253-03	Rim & Bearing Assy (incl. 39)	x								
39	48193	Wheel Bearing	x	x	x	x	x	x	x	x	x
40	04042-05	Washer, 1-1/16x1-3/4x12 Ga	x	x	x	x	x	x	x	x	x
40A	04041-14	Washer, 1-1/16x1-1/2x18 Ga	x	x	x	x	x	x	x	x	x
41	04050-08	Retaining Ring, 1" Ext. "F"	x	x	x	x	x	x	x	x	x
42	48200	Pulley, Wheel Drive	x	x	x	x	x	x	x	x	x
43	43088	Spacer, Wheel Pulley	x	x	x	x	x	x	x	x	x
44	48209	Brake Drum	x	x	x	x	x	x	x	x	x
45	*	Hex Head Bolt, 5/16-18x1-1/2	x	x	x	x	x	x	x	x	x
46	04003-03	Sh.Sq.Nk.Car. Bolt, 3/8-16x2	x	x	x	x	x	x	x	x	x
47	*	Hex Nut, 5/16-18 Elastic Stop	x	x	x	x	x	x	x	x	x
48	*	Carr Bolt, 3/8-16x1-1/2 Rd Hd. Sh. Sq. Nk.								x	x
50	42330	Bracket, Idler Pulley								x	x
51	43063	Spacer								x	
52	04041-11	Washer, 13/32 x 1-1/2 x 7 ga.								x	x
57	42333	Engine Mounting Plate				x					
58	*	5/16-18 x 1 Hex Hd. Bolt				x					
59	*	6-1x45 Full thrd Hex Hd. Bolt				x					
60	*	1/4 Lockwasher, Spring				x					
61	*	Hex Nut 6-1				x					
62	48275	Clamp, Fuel Hose				x					
63	*	Hex Hd Bolt 3/8-16x2								x	x
64	48030	Clamp Fuel Hose								x	x
65	48257	Pipe Cap								x	x
66	48254	Pipe 4" nipple								x	x
67	*	Lockwasher, 7/16 Spring				x					

## PEERLESS TRANSMISSION MODEL 700-022

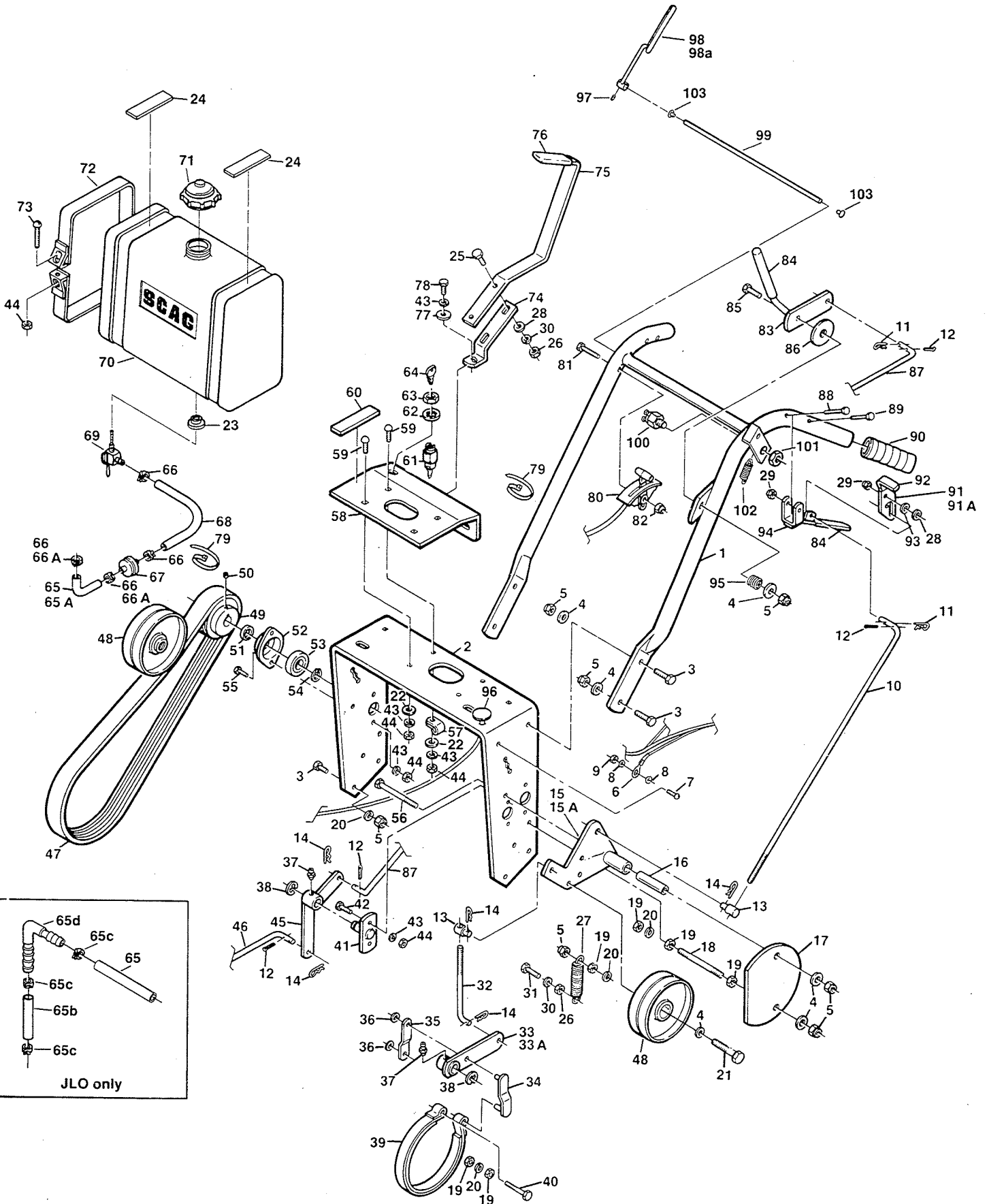
*See page 15 for illustration*

REF. NO.	PART NUMBER	DESCRIPTION	ALL UNITS	REF. NO.	PART NUMBER	DESCRIPTION	ALL UNITS
1.	770061	Case, Transmisson	x	20	778126A	Gear, Spur (20 teeth)	x
2.	772083	Cover, Transmission	x	23	780071	Bearing, Thrust	x
3	776217	Shaft, Output & Brake	x	27	780105A	Bushing, Flanged	x
4	778240	Gear, Spur (18 teeth)	x	28	786081	Chain, Roller (No.41 chain, 24 links)	x
5	786072	Spacer, 1-3/8"ODx1-1/8"IDx3/8"	x	29	780072	Washer, Thrust	x
6	778124A	Gear, Spur (30 teeth)	x	30	780086	Bearing, Needle	x
7	778125	Gear, Spur (35 teeth)	x	31	780142	Bearing, Needle	x
8	778146A	Gear, Spur (37 teeth)	x	32	792035	Ring, Retaining	x
9	784266	Collar, Shift	x	33	780139	Washer, Thrust	x
10	786083	Sprocket (18 teeth)	x	34	788040	Ring, Retaining	x
11	786082	Sprocket (9 teeth)	x	35	784267	Rod & Fork Assy., Shift	x
12	776134	Shaft, Counter	x	36	792073	Screw, Flanged Hex hd. 1/4-20x1-1/4	x
13	778154	Gear, Bevel (42 teeth)	x	37	792089A	Key	x
14	778145	Gear, Spur (12 teeth)	x	40	792077	Ball, Steel, 5/16"	x
15	778151	Gear, Spur (15 teeth)	x	41	792078	Screw, Set 3/8-16 x 3/8	x
16	786071	Spacer, 1-1/8"ODx3/4"IDx3/8"	x	42	792079	Spring	x
17	778239	Gear, Spur (32 teeth)	x	43	780108	Washer, Thrust	x
18	776135	Shaft, Input	x	44	792001	"O" Ring	x
19	778176	Bevel Pinion, Input	x	46	788069	Seal, Square Cut	x

PEERLESS 700-022



# HANDLE ASSEMBLY





# HANDLE ASSEMBLY

See Page 16 For Illustration

REF. PART NO.	PART NUMBER	DESCRIPTION	SW 32	SW 36	SW 36	SW 36	SW 48	SW 48	SW 52	SW 52	SW 61
			12B	12B	13K	8J	12B	13K	13K	18KH	18KH
1	46178	Handle Assy. (incl. 90 & decals)	x	x	x	x	x	x			
1	46179	Handle Assy. (incl. 90 & decals)							x	x	x
2	42249	Handle Mounting Frame	x	x	x	x	x	x			
2	42310	Handle Mounting Frame							x	x	x
3	*	Hex Hd Bolt, 3/8-16x1	x	x	x	x	x	x	x	x	x
4	*	Washer, 25/64x15/16/12 Ga.	x	x	x	x	x	x	x	x	x
5	*	Hex Nut, 3/8-16 Elastic Stop	x	x	x	x	x	x	x	x	x
6	48237	Wire Harness	x	x	x	x	x	x	x	x	x
6	48287	Wire Harness Kohler Adapter								x	x
6	48323	Wire Harness J.D. Adapter				x					
7	*	Mach. Screw, Phillips, #10-32x1/2	x	x	x	x	x	x	x	x	x
8	*	Lockwasher, #10 Ext. Tooth	x	x	x	x	x	x	x	x	x
9	*	Hex Nut, #10-32	x	x	x	x	x	x	x	x	x
10	44004	Control Rod, Steering	x	x	x	x	x	x	x	x	x
11	04062-02	Hair Pin, Small	x	x	x	x	x	x	x	x	x
12	*	Cotter Pin, 3/32x3/4	x	x	x	x	x	x	x	x	x
13	43032	Swivel Joint	x	x	x	x	x	x	x	x	x
14	04062-01	Hair Pin, Large	x	x	x	x	x	x	x	x	x
15	45091-01	Idler Bracket Wid. RH	x	x	x	x	x	x	x	x	x
15A	45091-02	Idler Bracket Wid. LH	x	x	x	x	x	x	x	x	x
16	43092	Idler Sleeve	x	x	x	x	x	x	x	x	x
17	42283	Belt Guard	x	x	x	x	x	x	x	x	x
18	04004-01	Support Belt Guard	x	x	x	x	x	x	x	x	x
19	*	Hex Nut, 3/8-16	x	x	x	x	x	x	x	x	x
20	*	Lockwasher, Spring, 3/8	x	x	x	x	x	x	x	x	x
21	*	Hex Head Bolt, 3/8-16 x 2-3/4	x	x	x	x	x	x	x	x	x
22	*	Flat Washer, 1/4	x	x	x	x	x	x	x	x	x
23	48309	Bushing	x	x	x	x	x	x	x	x	x
24	48292	Rubber Pads (upper)	x	x	x	x	x	x	x	x	x
25	*	Hex Head Bolt, 5/16-18 x 1-1/4	x	x	x	x	x	x	x	x	x
25A	04003-06	Carriage 1/4-20 x 1	x	x	x	x	x	x	x	x	x
26	*	Hex Nut, 5/16-18	x	x	x	x	x	x	x	x	x
27	48051	Spring, Idler Tension	x	x	x	x	x	x	x	x	x
28	*	Washer, 11/32x11/16/16 ga.	x	x	x	x	x	x	x	x	x
29	*	Hex Nut, 5/16-18 Elastic Stop	x	x	x	x	x	x	x	x	x
30	*	Lockwasher, Spring, 5/16	x	x	x	x	x	x	x	x	x
31	*	Hex Head Bolt, 5/16-18 x 1	x	x	x	x	x	x	x	x	x
32	44005	Brake Rod	x	x	x	x	x	x	x	x	x
33	45092-01	Brake Lever Wid. RH	x	x	x	x	x	x	x	x	x
33A	45092-02	Brake Lever Wid. LH	x	x	x	x	x	x	x	x	x
34	45093	Brake Link Wid.	x	x	x	x	x	x	x	x	x
35	42254	Brake Link	x	x	x	x	x	x	x	x	x
36	04024-01	Nut, Push-On, 3/8	x	x	x	x	x	x	x	x	x
37	48114-01	Grease Fitting, Str. 1/4-28	x	x	x	x	x	x	x	x	x
38	04050-01	Retaining Ring, 5/8 Ext. - "E"	x	x	x	x	x	x	x	x	x
39	48210	Brake Band	x	x	x	x	x	x	x	x	x
40	*	Hex Head Bolt, 3/8-16 x 2	x	x	x	x	x	x	x	x	x
41	45094	Bell Crank Pivot Wid.	x	x	x	x	x	x	x	x	x
42	*	Hex Head Bolt, 1/4-20 x 1	x	x	x	x	x	x	x	x	x
43	*	Lockwasher, Spring, 1/4	x	x	x	x	x	x	x	x	x
44	*	Hex Nut, 1/4-20	x	x	x	x	x	x	x	x	x
45	45095	Bell Crank Wid. Clutch	x	x	x	x	x	x	x	x	x
46	44003	Blade Clutch Rod, Lower	x	x	x	x	x	x	x	x	x
47	48202	Belt, Wheel Drive	x	x	x	x	x	x	x	x	x
48	48198	Idler Pulley, Wheel Drive	x	x	x	x	x	x	x	x	x
49	48199	Pulley, Jackshaft (Incl. 50)	x	x	x	x	x	x	x	x	x
50	*	Setscrew, Hex Socket Knurled Cup Pl. 5/16-16 Nylock	x	x	x	x	x	x	x	x	x
51	43098	Spacer, Jackshaft Pulley	x	x	x	x	x	x	x	x	x
52	48223	Flange, Jackshaft Bearing	x	x	x	x	x	x	x	x	x
53	48224	Bearing, Jackshaft	x	x	x	x	x	x	x	x	x
54	04050-09	Retaining Ring, 5/8 Ext. - Basic	x	x	x	x	x	x	x	x	x
55	*	Hex Head Bolt, 1/4-20 x 3/4	x	x	x	x	x	x	x	x	x
56	*	Hex Head Bolt, 3/8-16 x 4	x	x	x	x	x	x	x	x	x
57	48030	Clamp	x	x	x	x	x	x	x	x	x
58	42251	Shifter Plate	x	x	x	x	x	x	x	x	x
59	*	Carriage Bolt, 1/4-20 x 1	x	x	x	x	x	x	x	x	x
60	48205	Rubber Pad (lower)	x	x	x	x	x	x	x	x	x
61	48171	Key Switch	x	x	x	x	x	x	x	x	x
62	48017-03	Lockwasher, Internal Tooth, 5/8	x	x	x	x	x	x	x	x	x
63	48017-04	Hex Nut, 5/8-32	x	x	x	x	x	x	x	x	x
64	48017-02	Key, Ignition	x	x	x	x	x	x	x	x	x
65	48058-01	Fuel Hose, Short Briggs 1/4 IDx3 1/2"	x	x	x		x				
65	48058-02	Fuel Hose Kohler 1/4 IDx 14-1/8"								x	x
65	48058-08	Fuel Hose 8J 1/4 IDx 4 1/2"				x					
65a	48179-01	Fuel Hose, Short Kawasaki 7/32 ID x 3 1/2"			x			x	x		

Parts continued on Page 18 -

\* Common Hardware should be purchased Locally. All Bolts Grade 5 Plated, All other Fasteners Zinc Plated

# HANDLE ASSEMBLY CONT'D

See Page 16 For Illustration

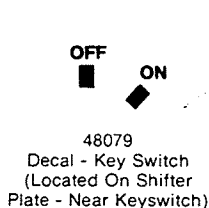
REF. NO.	PART NUMBER	DESCRIPTION	SW 32	SW 36	SW 36	SW 36	SW 48	SW 48	SW 52	SW 52	SW 61
			12B	12B	13K	8J	12B	13K	13K	18KH	18KH
65b	48058-09	Fuel Hose 8J 1/4 ID x 1 1/4"				x					
65c	48275	Clamp, fuel hose 8J				x					
65d	48282	Elbow, 8J				x					
66	48059-01	Clamp, Fuel Hose	x	x		x	x			x	x
66A	48059-02	Clamp, Fuel Hose Kawasaki			x			x	x		
67	48057-02	Fuel Filter	x	x	x	x	x	x	x	x	x
68	48058-06	Fuel Hose, Long 1/4 ID x 17"	x	x	x	x	x	x	x	x	x
69	48308	Valve, Fuel Shut Off	x	x	x	x	x	x	x	x	x
70	46174	Fuel Tank Assy(Incl. Decals,23,71,69)	x	x	x	x	x	x	x	x	x
71	48311	Fuel Tank Cap	x	x	x	x	x	x	x	x	x
72	42369	Strap, Fuel Tank	x	x	x	x	x	x	x	x	x
73	*	Mach. Rd. Hd. Slotted, 1/4-20 x 2	x	x	x	x	x	x	x	x	x
74	42252	Shifter Lever	x	x	x	x	x	x	x	x	x
75	46073	Shift Lever Assy (Incl. 76)	x	x	x	x	x	x	x	x	x
76	48215	Grip, Shift Lever	x	x	x	x	x	x	x	x	x
77	04043-01	Washer, 17/64 x 7/8 x 1/8 HI	x	x	x	x	x	x	x	x	x
78	04001-55	Hex Head Bolt, 1/4-28 x 3/4 Grade 8	x	x	x	x	x	x	x	x	x
79	48028-01	Cable Tie	x	x	x	x	x	x	x	x	x
80	48206	Throttle Control	x	x	x		x	x	x	x	x
80	48274	Throttle Control				x					
80	48266	Throttle Control								x	x
81	*	Hex Head Bolt, 1/4-20 x 2	x	x	x	x	x	x	x	x	x
82	*	Hex Nut, 1/4-20 Elastic Stop	x	x	x	x	x	x	x	x	x
83	46090	Blade, Clutch Lever Assy. (Incl. 84)	x	x	x	x	x	x	x	x	x
84	48144	Grip, Lever	x	x	x	x	x	x	x	x	x
85	*	Hex Head Bolt, 3/8-16 x 1-3/4	x	x	x	x	x	x	x	x	x
86	04041-10	Washer, 3/8 x 2 x 16 Ga.	x	x	x	x	x	x	x	x	x
87	44002	Belt Clutch Rod, Upper	x	x	x	x	x	x	x	x	x
88	*	Hex Head Bolt, 5/16-18 x 2-1/4	x	x	x	x	x	x	x	x	x
89	*	Hex Head Bolt, 5/16-18 x 2	x	x	x	x	x	x	x	x	x
90	48159	Grip, Handle	x	x	x	x	x	x	x	x	x
91	46083-01	Neutral Latch Assy, Rh. (Incl. 92)	x	x	x	x	x	x	x	x	x
91A	46083-02	Neutral Latch Assy, LH (Incl. 92)	x	x	x	x	x	x	x	x	x
92	48095	Grip, Neutral Latch	x	x	x	x	x	x	x	x	x
93	04032-01	Curved Spring Washer	x	x	x	x	x	x	x	x	x
94	46089	Brake Lever Assy. (Incl. 84)	x	x	x	x	x	x	x	x	x
95	48050	Spring Compression	x	x	x	x	x	x	x	x	x
96	48091	Choke Control								x	x
97	*	Set Screw 1/4-28x1/4 Knurled Cup Pl	x	x	x	x	x	x	x	x	x
98	45142	Safety Interlock Hand Grip LH	x	x	x	x	x	x	x	x	x
98a	45141	Safety Interlock Hand Grip RH	x	x	x	x	x	x	x	x	x
99	44018	Rod, Control Pivot -16"	x	x	x	x	x				
99	44014	Rod, Control Pivot -20"								x	x
100	48021	Switch Interlock	x	x	x	x	x	x	x	x	x
101	*	Hex Nut 9/16-18	x	x	x	x	x	x	x	x	x
102	48313	Spring Return	x	x	x	x	x	x	x	x	x
103	48312	Bushings	x	x	x	x	x	x	x	x	x

\* Common Hardware Should Be Purchased Locally. All Bolts Grade 5 Plated, All Other Fasteners Zinc Plated.

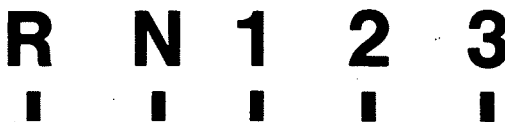
REPLACEMENT DECALS



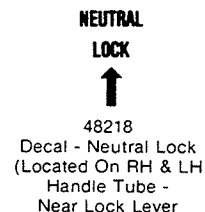
48077  
Decal - Scag's Logo  
(Located On Cutter Deck Cover - Top Surface)



48079  
Decal - Key Switch  
(Located On Shifter Plate - Near Keyswitch)



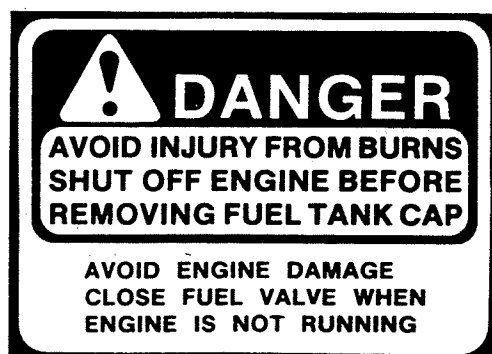
48216  
Decal - Shift Index  
(Located On Shifter Plate - Above Shift Lever)



48218  
Decal - Neutral Lock  
(Located On RH & LH Handle Tube - Near Lock Lever)



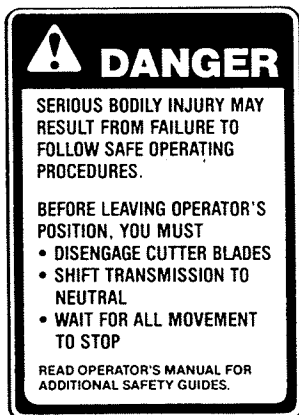
48073  
Decal - Danger, Rotating Blades  
(Located On Cutter Deck Cover - Near Discharge Chute)



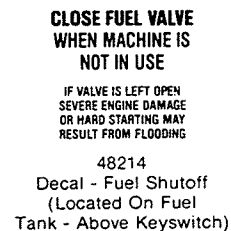
48281  
Decal - Operator Warning Fuel Fill  
(Located on Back of Fuel Tank)



48071  
Decal - O.P.E.I. Safety  
(Located On Cutter Deck Near Discharge Chute.)



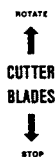
48222  
Decal - Operator Warning  
(Located On Fuel Tank - Above Shift Lever)



48214  
Decal - Fuel Shutoff  
(Located On Fuel Tank - Above Keyswitch)



48277  
Decal - 2 cycle Fuel Mixture  
(Location - Top of Engine)

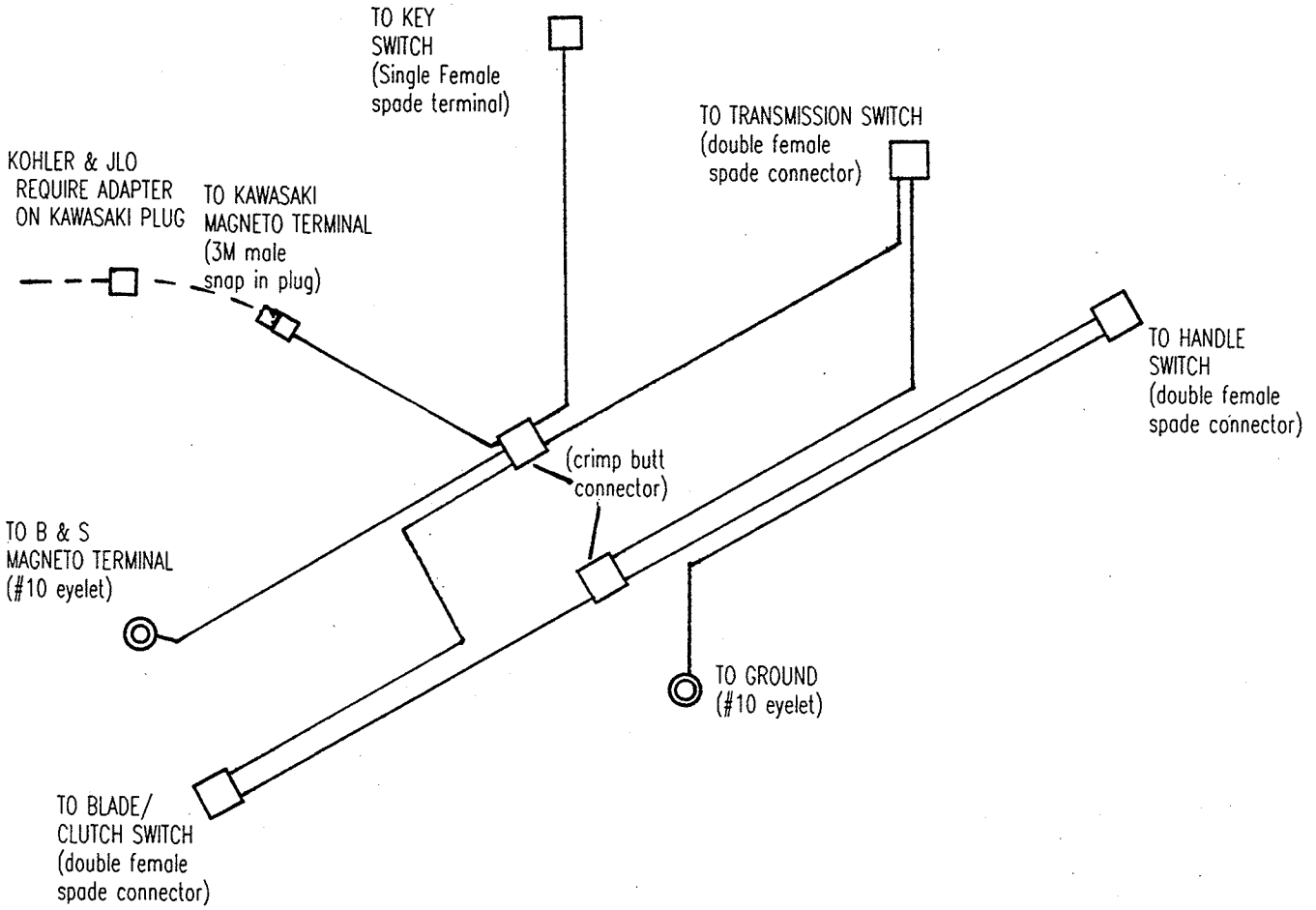


48217  
Decal - Blade Engage  
(Located On LH Handle Tube - Near Engagement Lever)



48072  
Decal - Heavy Duty Commercial  
(Located On Cutter Deck Cover - Front Wall)

# WIRING SCHEMATIC



---

---

## OWNER REFERENCE

MODEL NUMBER \_\_\_\_\_

SERIAL NUMBER \_\_\_\_\_

## Free Manuals Download Website

<http://myh66.com>

<http://usermanuals.us>

<http://www.somanuals.com>

<http://www.4manuals.cc>

<http://www.manual-lib.com>

<http://www.404manual.com>

<http://www.luxmanual.com>

<http://aubethermostatmanual.com>

Golf course search by state

<http://golfingnear.com>

Email search by domain

<http://emailbydomain.com>

Auto manuals search

<http://auto.somanuals.com>

TV manuals search

<http://tv.somanuals.com>