

SCAG[®]

POWER EQUIPMENT

OPERATOR'S MANUAL



SWZ Walk-Behind

Model: SWZ36A-16KAI
SWZ36A-17KAI
SWZ48V-17KAI
SWZ52V-17KAI
SWZ52V-19KAI
SWZ-19KAI
SWZ-21KAE

Congratulations on owning a Scag mower! This manual contains the operating instructions and safety information for your Scag mower. Reading this manual can provide you with assistance in maintenance and adjustment procedures to keep your mower performing to maximum efficiency. The specific models that this book covers are listed on the inside cover. Before operating your machine, please read all the information enclosed.

© 2009
Scag Power Equipment
Division of Metalcraft of Mayville, Inc.

PART NO. 03226 Rev. 2
PRINTED 1/2009
PRINTED IN USA



WARNING

FAILURE TO FOLLOW SAFE OPERATING PRACTICES MAY RESULT IN SERIOUS INJURY OR DEATH.

- Read this manual completely as well as other manuals that came with your mower.
- ALWAYS FOLLOW OSHA APPROVED OPERATION.
- DO NOT operate on steep slopes.
- Always travel across slopes.
- DO NOT mow on wet grass. Wet grass reduces traction and steering control.
- Keep all shields in place, especially the grass discharge chute.
- Before performing any maintenance or service, stop the machine and remove the spark plug wire and ignition key.
- If a mechanism becomes clogged, stop the engine before cleaning.
- Keep hands, feet and clothing away from power-driven parts.
- Keep others off the mower (only one person at a time)

REMEMBER - YOUR MOWER IS ONLY AS SAFE AS THE OPERATOR!

HAZARD CONTROL AND ACCIDENT PREVENTION ARE DEPENDENT UPON THE AWARENESS, CONCERN, PRUDENCE, AND PROPER TRAINING OF THE PERSONNEL INVOLVED IN THE OPERATION, TRANSPORT, MAINTENANCE, AND STORAGE OF THE EQUIPMENT.

This manual covers the operating instructions and illustrated parts list for:

SWZ36A-16KAI	with a serial number of	D4500001 to D4599999
SWZ36A-17KAI	with a serial number of	E6100001 to E6199999
SWZ48V-17KAI	with a serial number of	D4600001 to D4699999
SWZ52V-17KAI	with a serial number of	D4700001 to D4799999
SWZ52V-19KAI	with a serial number of	D4800001 to D4899999
SWZ-19KAI	with a serial number of	D5100001 to D5199999
SWZ-21KAE	with a serial number of	D5200001 to D5299999
SWM-52V	with a serial number of	D5400001 to D5499999
SWM-61V	with a serial number of	D5500001 to D5599999

Always use the entire serial number listed on the serial number tag when referring to this product.

Table of Contents

SECTION 1 - GENERAL INFORMATION	1
1.1 INTRODUCTION.....	1
1.2 DIRECTION REFERENCE	1
1.3 SERVICING THE ENGINE AND DRIVE TRAIN COMPONENTS.....	1
1.4 SYMBOLS	2
SECTION 2 - SAFETY INFORMATION	3
2.1 INTRODUCTION.....	3
2.2 SIGNAL WORDS	3
2.3 BEFORE OPERATION CONSIDERATIONS.....	3
2.4 OPERATION CONSIDERATIONS.....	4
2.5 MAINTENANCE CONSIDERATIONS & STORAGE	5
2.6 USING A SPARK ARRESTOR.....	6
2.7 SAFETY AND INSTRUCTIONAL DECALS.....	7
SECTION 3 - SPECIFICATIONS	8
3.1 ENGINE	8
3.2 ELECTRICAL	8
3.3 ENGINE DECK	8
3.4 CUTTER DECK	9
3.5 WEIGHTS AND DIMENSIONS.....	9
3.6 PRODUCTIVITY	9
SECTION 4 - OPERATING INSTRUCTIONS	10
4.1 CONTROLS AND INSTRUMENT IDENTIFICATION	10
4.2 SAFETY INTERLOCK SYSTEM	11
4.3 INITIAL RUN-IN PROCEDURES.....	11
4.4 STARTING THE ENGINE	11
4.5 GROUND TRAVEL AND STEERING	11
4.6 ENGAGING THE DECK DRIVE (CUTTER BLADES).....	12
4.7 HILLSIDE OPERATION.....	13
4.8 PARKING THE MOWER	13
4.9 AFTER OPERATION	13
4.10 REMOVING CLOGGED MATERIAL	13
4.11 MOVING MOWER WITH ENGINE STOPPED.....	14
4.12 RECOMMENDATIONS FOR MOWING.....	14
SECTION 5 - TROUBLESHOOTING CUTTING CONDITIONS	15

SECTION 6 - ADJUSTMENTS	18
6.1 PARKING BRAKE ADJUSTMENT	18
6.2 NEUTRAL ADJUSTMENT	18
6.3 STEERING CONTROL ROD ADJUSTMENTS	18
6.4 TRACKING ADJUSTMENT	19
6.5 THROTTLE CONTROL AND CHOKE ADJUSTMENTS	19
6.6 CUTTER DECK BELT ADJUSTMENTS	19
6.7 BELT ALIGNMENT	20
6.8 ADJUSTING CUTTING HEIGHT	20
6.9 ELECTRIC CLUTCH ADJUSTMENT	23
SECTION 7 - MAINTENANCE	24
7.1 MAINTENANCE CHART - RECOMMENDED SERVICE INTERVALS	24
7.2 LUBRICATION	25
7.3 HYDRAULIC SYSTEM	27
7.4 ENGINE OIL	28
7.5 ENGINE FUEL SYSTEM	28
7.6 ENGINE AIR CLEANER	29
7.7 BATTERY - ELECTRIC START MODELS	29
7.8 CUTTER BLADES	30
7.9 TIRES	31
SECTION 8 - ILLUSTRATED PARTS LIST	32
8.1 SCAG APPROVED ATTACHMENTS AND ACCESSORIES	32
CASTER ASSEMBLY	33
36A CUTTER DECK	34
48V & 52V CUTTER DECKS	36
61V CUTTER DECK	38
ENGINE DECK - MANUAL START	40
ENGINE DECK - ELECTRIC START	42
DRIVE AND BRAKE COMPONENTS	44
HANDLE ASSEMBLY - 16" SMALL FRAME	46
HANDLE ASSEMBLY - 20" LARGE FRAME	48
HYDRAULIC ASSEMBLY	50
HYDRAULIC PUMP ASSEMBLY	52
WIRE HARNESSSES	54
WIRE HARNESSSES	55
WIRE HARNESSSES	56
REPLACEMENT DECALS AND INFORMATION PLATES	57
LIMITED WARRANTY - COMMERCIAL EQUIPMENT	Following Section 8

GENERAL INFORMATION

1.1 INTRODUCTION

Your mower was built to the highest standards in the industry. However, the prolonged life and maximum efficiency of your mower depends on you following the operating, maintenance and adjustment instructions in this manual.

If additional information or service is needed, contact your Scag Power Equipment Dealer.

We encourage you to contact your dealer for repairs. All Scag dealers are informed of the latest methods to service this equipment and provide prompt and efficient service in the field or at their service shop. They carry a full line of Scag service parts.

- IMPORTANT -

The replacement of any part on this product by other than the manufacturer's authorized replacement part may adversely affect the performance, durability or safety of this product.

Use of other than original Scag replacement parts will void the warranty.

When ordering parts, always give the model and serial number of your mower. The serial number plate is located on the frame of the machine between the engine and transmission were shown in Figure 1-1.

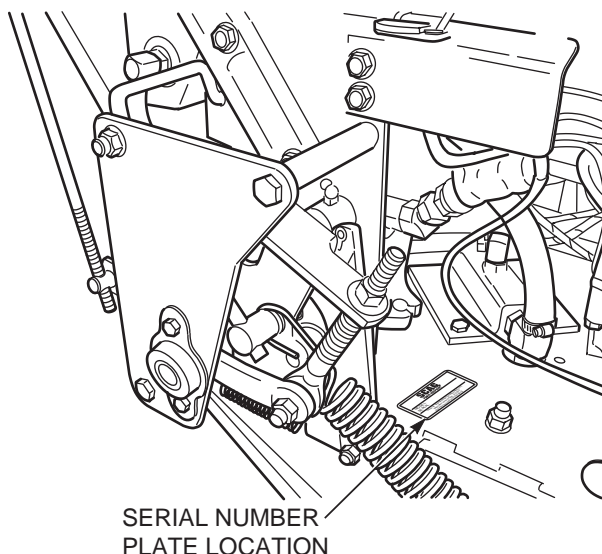


Figure 1-1. Mower Serial Number Plate Location

USE ONLY SCAG APPROVED ATTACHMENTS AND ACCESSORIES.

Attachments and accessories manufactured by companies other than Scag Power Equipment are not approved for use on this machine. See Section 8-1.

WARNING

For pictorial clarity, some illustrations and figures in this manual may show shields, guards or plates open or removed. Under no circumstances should your mower be operated without these devices in place.

All information is based upon product information available at the time of approval for printing. Scag Power Equipment reserves the right to make changes at any time without notice and without incurring any obligation.












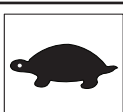




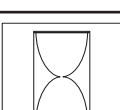

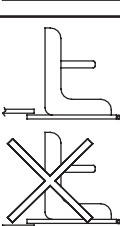



1.2 DIRECTION REFERENCE

The "Right" and "Left", "Front" and "Rear" of the machine are referenced from the operator's right and left when in the normal operating position and facing the forward travel direction.

1.3 SERVICING THE ENGINE AND DRIVE TRAIN COMPONENTS

The detail servicing and repair of the engine and transmission are not covered in this manual; only routine maintenance and general service instructions are provided. For service of these components during the limited warranty period, it is important to contact your Scag dealer or find a local authorized servicing agent of the component manufacturer. Any unauthorized work done on these components during the warranty period may void your warranty.

1.4 SYMBOLS

SYMBOL	DESCRIPTION	SYMBOL	DESCRIPTION
	Choke		Transmission
	Parking Brake		Spinning Blade
	On/Start		Spring Tension on Idler
	Off/Stop		Oil
	Falling Hazard		Thrown Object Hazard
	Fast		Slow
	Continuously Variable - Linear		Cutting Element - Basic Symbol
	Pinch Point		Cutting Element - Engage
	Hour meter/Elapsed Operating Hours		Cutting Element - Disengage
	STT MODELS Seat must be installed under the seat hold down bracket during installation. Failure to secure the seat under the hold down bracket could result in serious injury or death in a roll over.		CE Mark
	Thrown Object Hazard Keep Bystanders Away		Read Operator's Manual

SAFETY INFORMATION

2.1 INTRODUCTION

Your mower is only as safe as the operator. Carelessness or operator error may result in serious bodily injury or death. Hazard control and accident prevention are dependent upon the awareness, concern, prudence, and proper training of the personnel involved in the operation, transport, maintenance and storage of the equipment. Make sure every operator is properly trained and thoroughly familiar with all of the controls before operating the mower. The owner/user can prevent and is responsible for accidents or injuries occurring to themselves, other people or property.

READ THIS OPERATOR'S MANUAL BEFORE ATTEMPTING TO START YOUR MOWER.

A replacement manual is available from your authorized Scag Service Dealer or by contacting Scag Power Equipment, Service Department at P.O. Box 152, Mayville, WI 53050 or contact us via the Internet at www.scag.com. The manual for this machine can be downloaded by using the model and serial number or use the contact form to make your request. Please indicate the complete model and serial number of your Scag product when requesting replacement manuals.

2.2 SIGNAL WORDS



This symbol means **“Attention! Become Alert! Your Safety is Involved!”** The symbol is used with the following signal words to attract your attention to safety messages found on the decals on the machine and throughout this manual. The message that follows the symbol contains important information about safety. To avoid injury and possible death, carefully read the message! Be sure to fully understand the causes of possible injury or death.

SIGNAL WORD:

It is a distinctive word found on the safety decals on the machine and throughout this manual that alerts the viewer to the existence and relative degree of the hazard.

DANGER

The signal word “DANGER” denotes that an extremely hazardous situation exists on or near the machine that could result in high probability of death or irreparable injury if proper precautions are not taken.

WARNING

The signal word “WARNING” denotes that a hazard exists on or near the machine that can result in injury or death if proper precautions are not taken.

CAUTION

The signal word “CAUTION” is a reminder of safety practices on or near the machine that could result in personal injury if proper precautions are not taken.

Your safety and the safety of others depends significantly upon your knowledge and understanding of all correct operating practices and procedures of this machine.

2.3 BEFORE OPERATION CONSIDERATIONS

1. NEVER allow children to operate this mower. Do not allow adults to operate this machine without proper instructions.
2. Do not mow when children and/or others are present. Keep children out of the mowing area and in the watchful care of a responsible adult other than the operator. Be alert and turn machine off if a child enters the area.
3. DO NOT allow children to ride or play on the machine, it is not a toy.
4. Clear the area to be mowed of objects that could be picked up and thrown by the cutter blades.
5. DO NOT carry passengers.
6. DO NOT operate the machine under the influence of alcohol or drugs.

7. If the operator(s) or mechanic(s) cannot read English or Spanish, it is the owner's responsibility to explain this material to them.
8. DO NOT wear loose fitting clothing. Loose clothing, jewelry or long hair could get tangled in moving parts. Do not operate the machine wearing shorts; always wear adequate protective clothing including long pants. Wearing safety glasses, safety shoes and a helmet is advisable and is required by some local ordinances and insurance regulations.

WARNING

Always wear hearing protection. Operating this machine over prolonged periods of time can cause loss of hearing.

9. Keep the machine and attachments in good operating condition. Keep all shields and safety devices in place. If a shield, safety device or decal is defective or damaged, repair or replace it before operating the machine.

WARNING

This machine is equipped with an interlock system intended to protect the operator and others from injury. This is accomplished by preventing the engine from starting unless the deck drive is disengaged and the transmission is in neutral. The system shuts off the engine if the operator releases the operator presence levers with the deck drive engaged and/or the transmission is not in neutral. Never operate equipment with the interlock system disconnected or malfunctioning.

10. Be sure the interlock switches are functioning correctly.
11. Fuel is flammable; handle it with care. Fill the fuel tank outdoors. Never fill it indoors. Use a funnel or spout to prevent spillage. Clean up any spillage before starting the engine.
12. DO NOT add fuel to a running or hot engine. Allow the engine to cool for several minutes before adding fuel. Never fuel indoors or inside enclosed trailers.

13. Keep flammable objects (cigarettes, matches, etc.), open flames and sparks away from the fuel tank and fuel container. Use only approved containers.
14. Equipment must comply with the latest requirements per SAE J137 and/or ANSI/SAE S279 when driven on public roads.
15. Do not operate without the side discharge chute installed and in the down position or with an optional grass catcher or mulch plate completely installed.
16. Check the blade mounting bolts at frequent intervals for proper tightness.

2.4 OPERATION CONSIDERATIONS

1. Know the function of all controls and how to stop quickly.

WARNING

DO NOT operate on steep slopes. ALWAYS FOLLOW OSHA APPROVED OPERATION.

2. Reduce speed and exercise extreme caution on slopes and in sharp turns to prevent tipping or loss of control. Be especially cautious when changing directions on slopes.
3. To prevent tipping or loss of control, start and stop smoothly, avoid unnecessary turns and travel at reduced speed.
4. When using any attachment, never direct the discharge of material toward bystanders or allow anyone near the machine while in operation.
5. Start the engine when the neutral latches are in the neutral lock position, the cutter blades are disengaged, parking brake is engaged and the speed control lever is in neutral.
6. If the mower discharge ever plugs, shut off the engine, remove the ignition key, and wait for all movement to stop before removing the obstruction.

WARNING

DO NOT use your hand to dislodge the clogged discharge chute. Use a stick or other device to remove clogged material after the engine has stopped running and the blades have stopped turning.

7. Be alert for holes, rocks, roots and other hidden hazards in the terrain. Keep away from any drop-offs. Beware of overhead obstructions (low limbs, etc.), underground obstacles (sprinklers, pipes, tree roots, etc.). Cautiously enter a new area. Be alert for hidden hazards.
8. Disengage power to cutter deck before backing up. Do not mow in reverse unless absolutely necessary and then only after observation of the entire area behind the mower. If you must mow in reverse, maintain a constant lookout to the rear of the machine and mow slowly.
9. **DO NOT** turn sharply. Use care when backing up.
10. Disengage power to cutter deck before crossing roads, walks or gravel drives.
11. Mow only in daylight or good artificial light.
12. **NEVER** raise the deck with the blades engaged.
13. Take all possible precautions when leaving the machine unattended, such as disengaging the mower, stopping the engine, and removing the key.
14. Disengage power to the attachments when transporting or when not in use.
15. The machine and attachments should be stopped and inspected for damage after striking a foreign object, and damage should be repaired before restarting and operating the machine.

CAUTION

Do not touch the engine or the muffler while the engine is running or immediately after stopping. These areas may be hot enough to cause a burn.

DANGER

DO NOT run the engine inside a building or a confined area without proper ventilation. Exhaust fumes are hazardous and contain carbon monoxide which can cause brain injury and death.

16. Keep hands and feet away from cutter blades and moving parts. Contact can injure.
17. Transport the mower using a heavy duty trailer or truck. Insure the trailer or truck has all of the necessary lighting and markings as required by laws, codes, and ordinances. Secure a trailer with a safety chain.
18. Be cautious when loading and unloading onto trailers or trucks. Use only a full width ramp.
19. When transporting the mower, make sure the speed control lever is in neutral, the neutral latches are in the neutral lock position, the engine is off with the key removed, the parking brake is engaged and the wheels have been blocked.
20. Tie the mower down securely using straps, chains, cable, or ropes. Both front and rear straps must be directed down and outward from machine.
21. Use care when approaching blind corners, shrubs, trees, or other objects that may obscure vision.
22. **NEVER** leave the machine running unattended.

2.5 MAINTENANCE CONSIDERATIONS & STORAGE

1. Never make adjustments to the machine with the engine running unless specifically instructed to do so. If the engine is running, keep hands, feet, and clothing away from moving parts.
2. Place the speed control lever in neutral, engage the parking brake, neutral latches in the neutral lock position, stop engine and remove key or disconnect spark plug wire to prevent accidental starting of the engine when servicing or adjusting the machine. Wait for all movement to stop before adjusting, cleaning or repairing.

3. Remove spark plug wire before making any repairs.
4. Keep all nuts, bolts and screws tight, to ensure the machine is in safe working condition. Check blade mounting bolts frequently to be sure they are tight.
5. Do not change the engine governor settings or overspeed the engine. See the engine operator's manual for information on engine settings.
6. To reduce fire hazard, keep the cutting units, drives, muffler and engine free of grass, leaves, excessive grease, oil and dirt.
7. Park the machine on level ground.
8. NEVER allow untrained personnel to service the machine.
9. Use care when checking blades. Use a Blade Buddy, wrap the blade(s) or wear gloves and USE CAUTION when servicing blades. Only replace blades. NEVER straighten or weld blades.
10. Keep all parts in good working condition. Replace all worn or damaged decals.
11. Use jack stands to support components when required.
12. Carefully release pressure from components with stored energy.
13. Let the engine cool before storing.
14. DO NOT store the machine near an open flame.
15. Shut off fuel while storing or transporting.
16. DO NOT store fuel near flames or drain indoors.

2.6 USING A SPARK ARRESTOR

The engine in this machine is not equipped with a spark arrestor muffler. It is in violation of California Public Resource Code Section 4442 to use or operate this engine on or near any forest covered, brush covered or grass covered land unless the exhaust system is equipped with a spark arrestor meeting any applicable local or state laws. Other states or federal areas may have similar laws. Check with your state or local authorities for regulations pertaining to these requirements.

Section 2

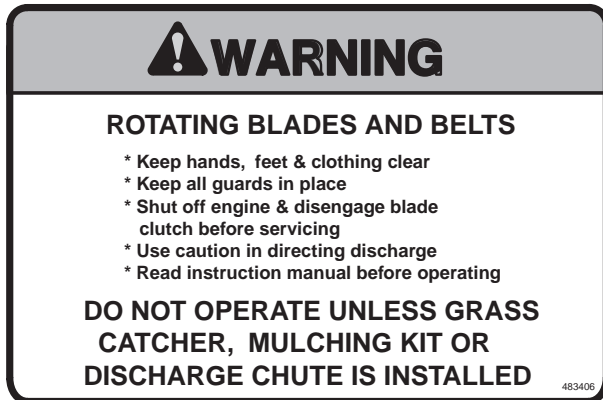
2.7 SAFETY AND INSTRUCTIONAL DECALS



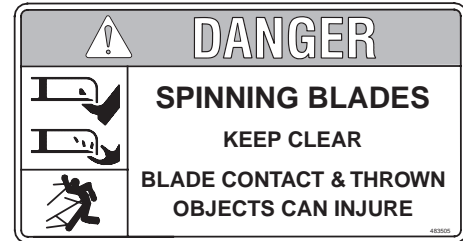
483405



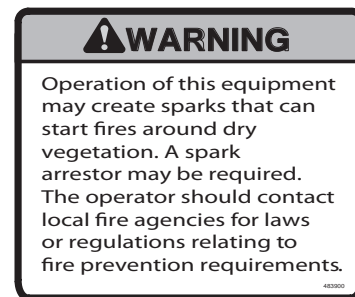
483402



483406



483505

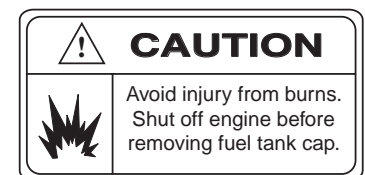


483900

(supplied with California models only)



483404



Molded in Fuel Tank

Section 3

3.4 CUTTER DECK

Type	Out-Front design with anti-scalp rollers
Construction	36 / 48 = 7-Gauge Deck Top w/10-Gauge Reinforced Spindle Area, 7-gauge (3/16") Deck Skirt 52 / 61 = 10-Gauge Deck Top w/10-Gauge Reinforced Spindle Area, 7-Gauge (3/16") Deck Skirt
True Cutting Width:	
36	35.5" (90.2 cm)
48	48" (122.0 cm)
52	52" (132.0 cm)
61	61" (155.0 cm)
Cutting Height Adjustment.....	Adjustment from, 1-3/4" to 4-1/4" in 1/4"increments
Cutter Blades.....	0.197 in. Thick, Milled Edge, Wear Resistant Marbain™
Blade Engagement.....	Electric Blade Engagement Clutch with Control Panel Switch Connected to the Cutter Deck through a Belt.
Discharge Opening.....	Extra Wide Discharge Opening with Spring-Loaded Discharge Chute
Discharge Chute.....	Black, Polypropylene (Plastic), Flexible
Spindles.....	Cast-Iron Housing, Tapered Roller Bearings with Top Access Grease Fitting and Grease Overfill Relief Poppet
Spindle Pulleys.....	Split Steel with Tapered Locking Hub
Cutter Deck Belts.....	B-section with Kevlar Cords
Electric Clutch Type	Ogura Heavy Duty PTO Clutch Brake

3.5 WEIGHTS AND DIMENSIONS

	36A / 48V	52V	61V
Length.....	72" / 76"	76"	78"
Tracking Width	37" / 37"	37"*	41"
Overall Width w/chute down	47" / 60.5"	64.5"	73.5"
Overall Width w/chute up.....	37" / 49"	53"	62"
Overall Height.....	40.5" / 40.5"	40.5"	40.5"
Operating Weight.....	515# / 565#	585#*	717#

3.6 PRODUCTIVITY

	36 / 48	52	61
Cutting Width	36" / 48"	52"	61"
Acres Per Day.....	9.3 / 12.4	13.5	15.8

The preceding chart will aid you in determining how many acres your Scag mower will cut per day. The chart is an estimate based on 8 hours per day cutting time at 4 MPH with a 20% allowance for overlap and turns.

* Large Frame = Tracking Width - 41", Weight - 605#

OPERATING INSTRUCTIONS

CAUTION

Do not attempt to operate this mower unless you have read this manual. Learn the location and purpose of all controls and instruments before you operate this mower.

4.1 CONTROLS AND INSTRUMENT IDENTIFICATION

Before operating the mower, familiarize yourself with all mower and engine controls. Knowing the location, function and operation of these controls is important for safe and efficient operation of the mower.

1. **Ignition Switch (Figure 4-1).** The ignition switch is used to start the engine. Turn the key to the on position before pulling the recoil starter.

2. **Mower Deck Switch (Figure 4-1).** Used to engage and disengage the mower drive system. Pulling up on the switch will engage the deck drive. Pushing down on the switch will disengage the deck drive.
3. **Engine Choke Control (Figure 4-1).** Used to start a cold engine.
4. **Engine Throttle Control (Figure 4-1).** Used to control the engine speed. Pushing the lever forward increases engine speed. Pulling the lever back decreases engine speed. Full back position is the IDLE position. Full forward is the cutting position.
5. **Left Steering Control (Figure 4-1).** Used to control the mower's left wheel when traveling forward or reverse. Pull upward for neutral and reverse.
6. **Right Steering Control (Figure 4-1).** Used to control the mower's right wheel when traveling forward or reverse. Pull upward for neutral and reverse.

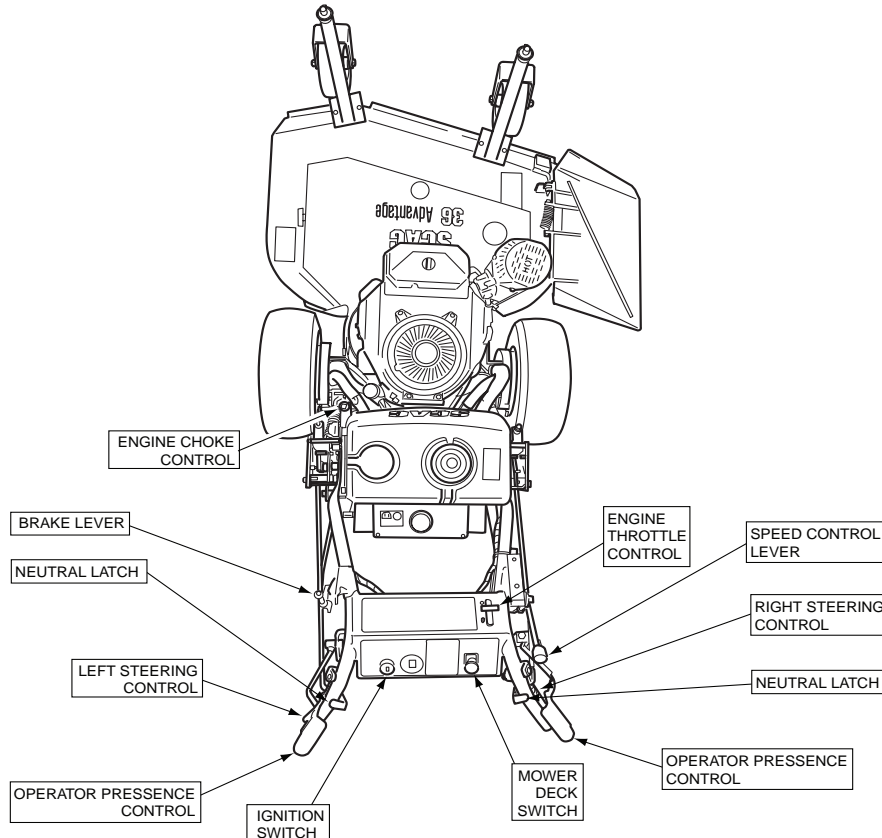


Figure 4-1. Controls and Instruments

Section 4

7. **Speed Control Lever (Figure 4-1).** Used to select the forward speed.
8. **Neutral Latch (Figure 4-1).** Used to secure the belt drive system in neutral. Apply neutral latches when parking the machine.
9. **Operator Presence Control (Figure 4-1)**
The operator presence control levers must be depressed before the transmission is shifted out of neutral or engaging the mower deck.
10. **Parking Brake Lever (Figure 4-1)** Used to engage and disengage the parking brake. Pull the lever back to engage the parking brake. Push the lever forward to disengage the parking brake.

4.2 SAFETY INTERLOCK SYSTEM

The mower is equipped with a safety interlock system that shuts off the engine if the operator releases the operator presence levers with the deck drive engaged and/or the speed control lever not in neutral or the parking brake disengaged. Never operate equipment with the interlock system disconnected or malfunctioning..

WARNING

Never operate the mower with the interlock system disconnected or malfunctioning. Do not disengage or bypass any switch; injury to yourself and others or property damage could result.

4.3 INITIAL RUN-IN PROCEDURES

FIRST DAY OF USE OR APPROXIMATELY 20 HOURS

1. Check all belts for proper alignment and wear at 2, 4 and 8 hours.
2. Change the engine oil and oil filter after the first 20 hours of operation. (See Section 7.4.)
3. Check for loose hardware. Tighten as needed.
4. Check interlock system for proper operation. (See Section 4.2.)
5. Check tire pressure. Adjust pressure if necessary. (See Section 7.10.)

4.4 STARTING THE ENGINE

CAUTION

DO NOT USE STARTING FLUIDS. Use of starting fluids in the air intake system may be potentially explosive or cause a “runaway” engine condition that could result in engine damage and/or personal injury.

1. Be sure the fuel shutoff valve, located by the fuel tank, is completely open. (See Section 7.5.)
2. Apply the neutral latch levers.
3. Shift the speed control lever into neutral.
4. Place the PTO switch in the disengaged position.
5. Apply the parking brake.
6. If the engine is cold, choke the engine as needed.
7. Move the engine throttle control to about half engine speed.
8. Turn the ignition key to the ON position.
9. Pull the recoil starter on the engine.
10. Allow engine to warm before operating the mower.

4.5 GROUND TRAVEL AND STEERING

- IMPORTANT -

If you are not familiar with the operation of a walk behind mower with a hydrostatic transmission, the steering and ground speed operations should be learned and practiced in an open area, away from buildings, fences, or obstructions.

Learn the operation on flat ground before operating on slopes.

Start practicing with a slow engine speed and slow forward travel.

Learn to feather the steering controls to obtain a smooth operating action.

Practice operating the mower until you are comfortable with the controls before proceeding to mow.

FORWARD TRAVEL

To travel forward with the mower, release the parking brake, select the desired speed using the speed control lever, pull steering control levers upward, release the neutral latch for both sides and slowly release both the left and right steering control levers. The higher the notch selected using the speed control lever, the faster the machine will travel.

To stop the forward travel, pull upward on the steering control levers, lock the neutral latches, shift the speed control lever into neutral and apply the parking brake.

To steer the mower left while traveling forward, pull upward on the left steering control lever. The further the lever is pulled upward, the quicker the mower will turn left.

To steer the mower right while traveling forward, pull upward on the right steering control lever. The further the lever is pulled upward, the quicker the mower will turn right.

- NOTE -

Smooth operation of the steering control levers will produce smooth mower operation. While learning the operation of the steering controls, keep the travel speed low.

REVERSE TRAVEL

⚠ CAUTION

Disengage power to the mower before backing up. Do not mow in reverse unless absolutely necessary and then only after observation of the entire area behind the mower.

⚠ CAUTION

Before backing up, observe the rear for persons and obstructions. Clear the area before backing up. Possible injury or property damage could occur.

To travel in reverse, pull steering control levers upward. Keep the travel speed low while traveling in reverse.

- NOTE -

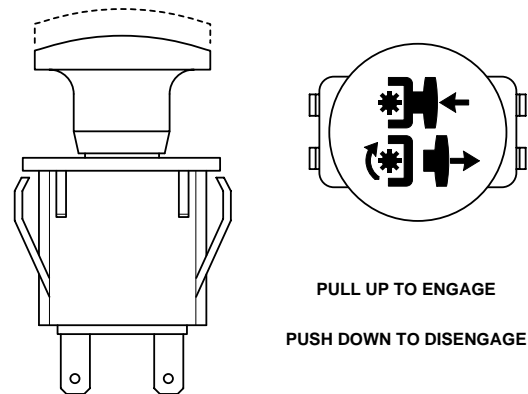
The mower may not travel straight in reverse.

To steer left while traveling in reverse, pull upward on the left steering control lever. The further the lever is pulled upward, the quicker the mower will turn left.

To steer right while traveling in reverse, pull upward on the right steering control lever. The further the lever is pulled upward, the quicker the mower will turn right.

4.6 ENGAGING THE DECK DRIVE (CUTTER BLADES)

1. Set the throttle at about 3/4 speed. Do not attempt to engage the deck drive at high speed as this shortens the electric clutch life — use only moderate engine speed when engaging the deck drive.
2. Engage the deck drive by pulling out on the yellow switch, located on the instrument panel, to the engage position. See Figure 4-2.



390S0138

Figure 4-2. Cutter Engage Switch

- NOTE -

A squealing noise may be heard when engaging or disengaging the deck drive. It is caused by the electric clutch plates meshing as the mower comes up to speed. This is normal.

3. To disengage the deck drive, push the switch in to the disengage position.
4. Always operate the engine at full throttle to properly maintain cutting speed. If the engine starts to lug down, reduce the forward speed and allow the engine to operate at maximum RPM.

Section 4

4.7 HILLSIDE OPERATION

WARNING

DO NOT operate on steep slopes. ALWAYS FOLLOW OSHA APPROVED OPERATION.

1. This mower has been designed for good traction and stability under normal mowing conditions. However, caution must be used when traveling on slopes, especially when the grass is wet. Wet grass reduces traction and steering control.
2. To prevent tipping or loss of control, do not start or stop suddenly, avoid unnecessary turns and travel at reduced speed. If tires lose traction, disengage blades and proceed slowly off the slope.
3. Avoid sudden starts when mowing on slopes.
4. Travel across the slope whenever possible. Never up and down the slope.
5. Keep tires properly inflated.

4.8 PARKING THE MOWER

1. Park the machine on a flat, level surface only. Do not park the machine on an incline.
2. Disengage the cutter blades.
3. Shift the speed control lever into the neutral position, lock the neutral latches and apply the parking brake.
4. Slow the engine to idle speed.
5. Turn the ignition key to the OFF position and remove the key.

4.9 AFTER OPERATION

1. Wash the entire mower after each use. Do not use high pressure spray or direct the spray onto electrical components.

- IMPORTANT -

Do not wash a hot or running engine. Cold water will damage the engine. Use compressed air to clean the engine if it is hot.

2. Keep the entire mower clean to inhibit serious heat damage to the engine or hydraulic oil circuit.
3. Check the drive belts for proper alignment and any signs of wear. Correct and adjust if necessary.

DANGER

To avoid injury from burns, allow the mower to cool before removing the fuel tank cap and refueling.

4. After the mower has cooled down, fill the fuel tank with fresh, clean fuel at the end of every day of operation. See Engine Owner's Manual for proper octane requirements.
5. Check the tire pressure. Adjust pressure if necessary.

4.10 REMOVING CLOGGED MATERIAL

DANGER

ROTATING BLADES

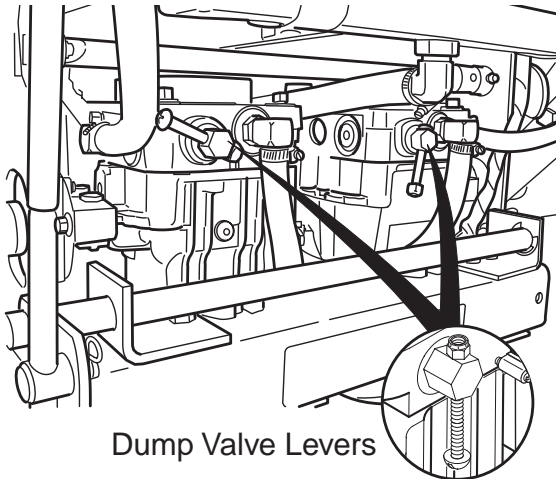
NEVER PUT YOUR HANDS INTO THE DISCHARGE CHUTE FOR ANY REASON!

Shut off the engine and remove the key and only then use a stick or similar object to remove material if clogging has occurred.

1. If the discharge chute becomes clogged, shut off the engine and remove the ignition key. Using a stick or similar item, dislodge the clogged material. Then resume normal mowing.

4.11 MOVING MOWER WITH ENGINE STOPPED

To "free-wheel" or move the mower around without the engine running, turn the dump valve levers located on the back of the pumps counter clockwise to the "freewheel" position and move the mower by hand. To operate the mower, the dump valves must be turned clockwise to the closed position.



Dump Valve Levers

Figure 4-3. Dump Valves

4.12 RECOMMENDATIONS FOR MOWING

1. Do not mow with dull blades. A dull blade will tear grass, resulting in poor lawn appearance and reduced mowing power.

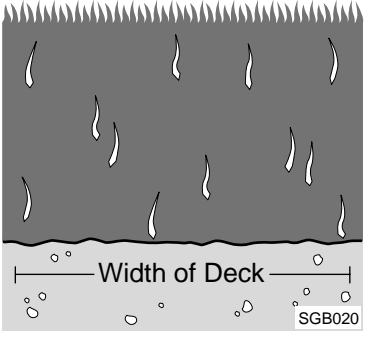
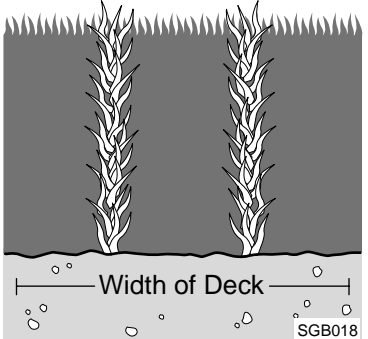
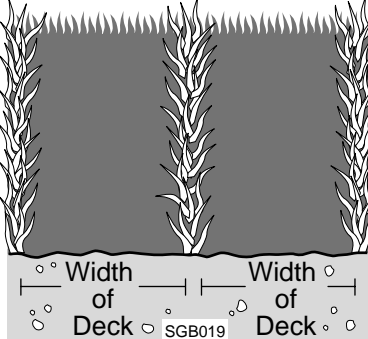
WARNING

DO NOT operate without Discharge Chute, Mulching Kit, or entire Grass Catcher properly installed.

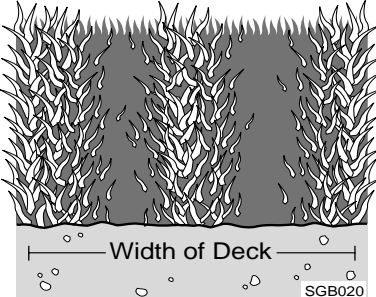
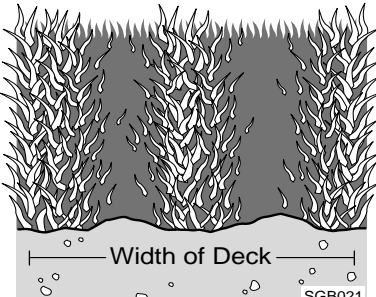
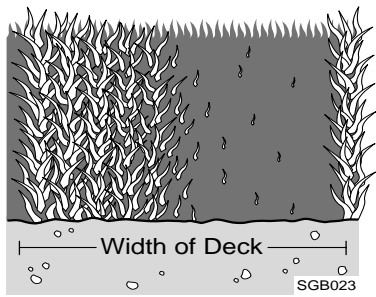
2. The discharge chute must not be removed and must be kept in the lowest position to deflect grass clippings and thrown objects downward. Direct the side discharge away from sidewalks or streets to minimize cleanup of clippings. When mowing close to obstacles, direct the discharge away from the obstacles to reduce the chance of property damage by thrown objects.

3. Cut grass when it is dry and not too tall. Do not cut grass too short (cut off 1/3 or less of existing grass for best appearance). Mow frequently.
4. Keep mower and discharge chute clean.
5. When mowing wet or tall grass, mow the grass twice. Raise the mower to the highest setting for the first pass and then make a second pass to the desired height.
6. Use a slow travel speed for trimming purposes.
7. Operate the engine at full throttle for best cutting. Mowing with a lower RPM causes the mower to tear the grass. The engine is designed to be operated at full speed.
8. Use the alternate stripe pattern for best lawn appearance. Vary the direction of the stripe each time the grass is mowed to avoid wear patterns in the grass.

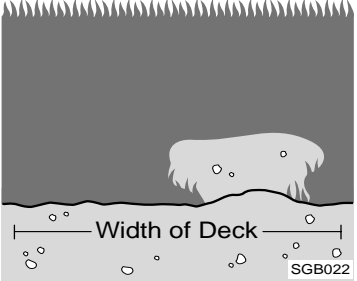
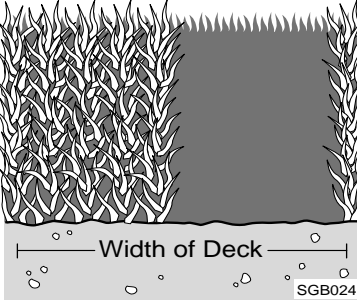
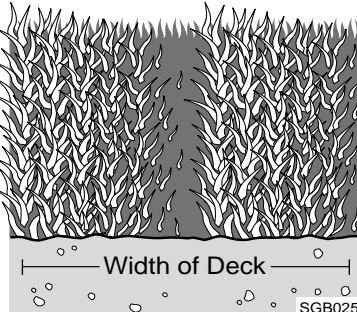
TROUBLESHOOTING CUTTING CONDITIONS

CONDITION	CAUSE	CURE
<p>STRINGERS - OCCASIONAL BLADES OF UNCUT GRASS</p> 	Low engine RPM	Run engine at full RPM
	Ground speed too fast	Slow speed to adjust for conditions
	Wet grass	Cut grass after it has dried out
	Dull blades, incorrect sharpening	Sharpen blades
	Deck plugged, grass accumulation	Clean underside of deck
	Belts slipping	Adjust belt tension
<p>STREAKING - STRIPS OF UNCUT GRASS IN CUTTING PATH</p> 	Dull, worn blades	Sharpen blades
	Incorrect blade sharpening	Sharpen blades
	Low engine RPM	Run engine at full RPM
	Belt slipping	Adjust belt tension
	Deck plugged, grass accumulation	Clean underside of deck
	Ground speed too fast	Slow speed to adjust for conditions
	Wet grass	Cut grass after it has dried out
	Bent blades	Replace blades
<p>STREAKING - STRIPS OF UNCUT GRASS BETWEEN CUTTING PATHS</p> 	Not enough overlapping between rows	Increase the overlap of each pass

TROUBLESHOOTING CUTTING CONDITIONS (CONT'D)

CONDITION	CAUSE	CURE
<p>UNEVEN CUT ON FLAT GROUND - WAVY HIGH-LOW APPEARANCE, SCALLOPED CUT, OR ROUGH CONTOUR</p>  <p>Width of Deck SGB020</p>	Lift worn from blade	Replace blade
	Blade upside down	Mount with cutting edge toward ground
	Deck plugged, grass accumulation	Clean underside of deck
	Too much blade angle (deck pitch)	Adjust pitch and level
	Deck mounted improperly	See your authorized SCAG dealer
	Bent spindle area	See your authorized SCAG dealer
	Dull blade	Sharpen blade
<p>UNEVEN CUT ON UNEVEN GROUND-WAVY APPEARANCE, HIGH-LOW SCALLOPED CUT, OR ROUGH CONTOUR</p>  <p>Width of Deck SGB021</p>	Uneven ground	May need to reduce ground speed, raise cutting height, and/or change direction of cut
<p>SLOPING RIDGE ACROSS WIDTH OF CUTTING PATH</p>  <p>Width of Deck SGB023</p>	Tire pressures not equal	Check and adjust tire pressure
	Wheels uneven	Check and adjust tire pressure
	Deck mounted incorrectly	See your authorized SCAG dealer
	Deck not level side-to-side	Check for level and correct

TROUBLESHOOTING CUTTING CONDITIONS (CONT'D)

CONDITION	CAUSE	CURE
<p>SCALPING - BLADES HITTING DIRT OR CUTTING VERY CLOSE TO THE GROUND</p>  <p>Width of Deck SGB022</p>	Low tire pressures	Check and adjust pressures
	Ground speed too fast	Slow speed to adjust for conditions
	Cutting too low	May need to reduce ground speed, raise cutting height, change direction of cut, and/or change pitch and level
	Rough terrain	May need to reduce ground speed, raise cutting height, and/or change direction of cut
	Ground speed too fast	Slow speed to adjust for conditions
	Wet grass	Cut grass after it has dried out
<p>STEP CUT - RIDGE IN CENTER OF CUTTING PATH</p>  <p>Width of Deck SGB024</p>	Blades not mounted evenly	Adjust pitch and level
	Bent blade	Replace blade
	Internal spindle failure	See your authorized SCAG dealer
	Mounting of spindle incorrect	See your authorized SCAG dealer
<p>SLOPE CUT - SLOPING RIDGES ACROSS WIDTH OF CUTTING PATH</p>  <p>Width of Deck SGB025</p>	Bent spindle mounting area	See your authorized SCAG dealer
	Internal spindle failure	See your authorized SCAG dealer
	Bent deck housing	See your authorized SCAG dealer

ADJUSTMENTS

6.1 PARKING BRAKE ADJUSTMENT

1. Adjust the parking brake so that when the brake hand lever is against the stop on the handle bar, the brake levers on the brake shaft weldment are against the stops on the engine deck.

CAUTION

Adjust the brake only enough to hold the machine. Excessive force may cause damage to the machine or brake components.

2. Adjust the brake actuator rod on either side of the machine to obtain proper brake adjustment.

6.2 NEUTRAL ADJUSTMENT

-NOTE-

Neutral has been set by your Scag dealer at the time of set up and normally does not need to be adjusted. If, however, you find that the neutral has come out of adjustment, follow the procedure below.

1. Raise the drive wheels off the ground and block the caster wheels to prevent the machine from moving.
2. Make sure the speed control lever is in neutral, the steering control levers are in the neutral latch position, and the parking brake is on. Start the engine.
3. Release the parking brake and note if the tires are rotating.
4. Start on the left side of the machine, using the adjustment wrench located on the left side of the machine. Rotate the tracking adjustment nut counter clockwise just until the LH wheel starts to creep forward. Make note of the position of the adjustment nut. Repeat on the right side as needed. See Figure 6-1.
5. Turn the adjustment nut clockwise just until the wheel turns rearward. Make note of the position of the adjustment nut. To adjust neutral, split the difference between the two noted positions of the adjustment nut. Repeat on the right side as needed.
6. Place the wrench in the holder on the left side of the machine and turn the engine off.

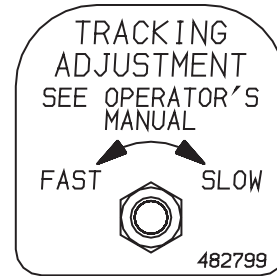


Figure 6-1. Neutral Adjustment

6.3 STEERING CONTROL ROD ADJUSTMENTS

-NOTE-

This adjustment is made to allow the steering control levers to be moved out of the neutral latch without engaging reverse

Before making this adjustment be sure that the speed control bearing is just touching the speed control cam and that the bellcrank bearing is resting in the center groove of the neutral cam.

1. Remove the speed control spring. Remove the steering control rod swivel hair pin. Check the location of the swivel in the slotted hole in the bellcrank.
2. Turn the swivel joint on the steering control rods until the swivel joint is centered in the slot in the bellcrank..

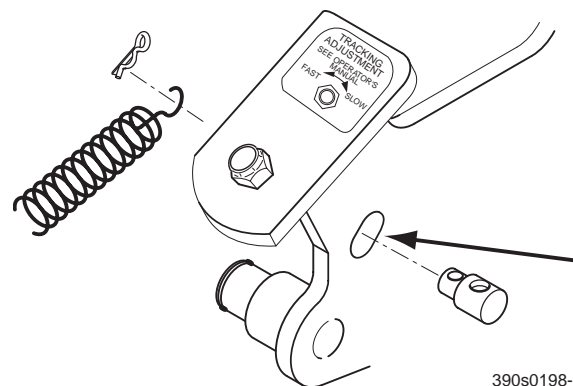


Figure 6-2. Control Rod Adjustment

3. Reinstall the speed control spring onto the swivel. Install the hair pin onto the swivel. See Figure 6-2.

Section 6

6.4 TRACKING ADJUSTMENT

-NOTE-

Before proceeding with this adjustment, be sure that the tire pressures are correct and the neutral adjustment and the steering control rod adjustment have been completed.

1. With the machine on a flat level surface, start the engine, release the parking brake and place the speed control lever into the speed that will most often be used.
2. Squeeze the steering control levers and release the neutral latch. Slowly release the steering control levers, allowing the machine to move forward.

WARNING

Before attempting to make any tracking adjustments, move the speed control lever to the neutral position, place the blade engagement switch in the off position, apply the parking brake, and move the steering control levers into the neutral position.

3. If the machine pulls to one side, stop the mower by placing the steering control levers in the neutral position. Using the adjustment wrench located on the left side of the machine, turn the tracking adjustment nut on the slower side counter clockwise until the machine tracks straight.
4. Bring the steering control levers back to the neutral lock position and check to see that the machine does not creep forward on the adjusted wheel.
5. If the machine creeps in neutral, you have moved out of the neutral band and will have to turn the tracking adjustment nut clockwise until the machine does not creep.
6. Repeat steps 1 and 2. If the machine continues to pull to one side, stop the mower by placing the steering control levers in the neutral position. Turn the tracking adjustment nut on the faster side clockwise until the machine tracks straight.
7. If tracking cannot be achieved, contact your Scag servicing dealer.

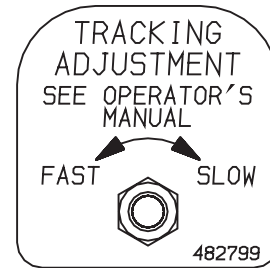


Figure 6-3. Tracking Adjustment

6.5 THROTTLE CONTROL AND CHOKE ADJUSTMENTS

These adjustments must be performed by your Scag dealer to ensure proper and efficient running of the engine. Should either need adjustment, contact your authorized Scag service center.

6.6 CUTTER DECK BELT ADJUSTMENTS

WARNING

Before removing any guards, shut the engine off and remove the ignition key. Wait for all moving parts to come to a complete stop before beginning work.

1. Remove the belt cover.
2. Adjust the cutter deck drive belt using a belt tension gauge. Adjust the belt so that the belt moves 1/2" with 10 pounds of pressure. Adjust the tension by tightening or loosening the J-bolt. See Figure 6-4.

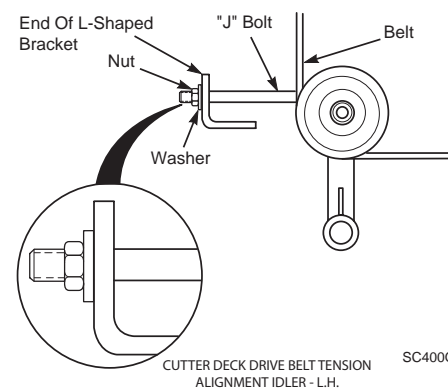


Figure 6-4. Deck Drive Belt Adjustment

-NOTE-

Due to initial belt stretch and to prevent the belt from slipping, check this adjustment after the first 2 hours, 4 hours and 8 hours of operation.

- Adjust the RH blade drive belt using a belt tension gauge. Adjust the belt so that the belt moves 1/2" with 10 pounds of pressure. Adjust the tension by tightening or loosening the J-bolt. See Figure 6-5 and Figure 6-6.

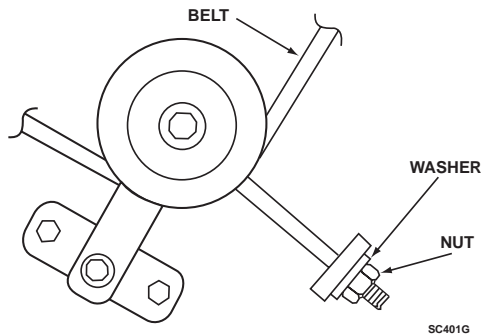


Figure 6-5. Cutter Deck Belt Adjustment R.H.

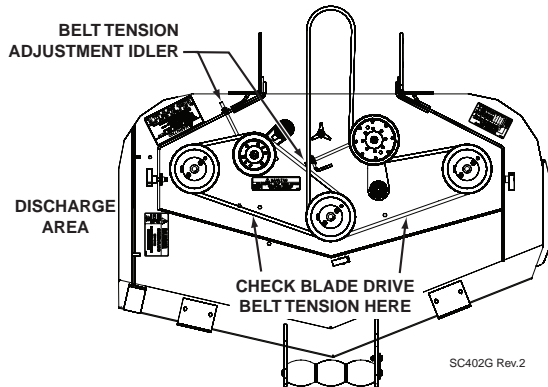


Figure 6-6. Cutter Deck Belt

6.7 BELT ALIGNMENT

Belt alignment is important for proper performance of your Scag mower. If you experience frequent belt wear or breakage, see your authorized Scag service center for belt adjustment.

6.8 ADJUSTING CUTTING HEIGHT

The mower deck can be adjusted from a height of 1-3/4 inches to 4-1/4 inches at 1/4-inch intervals.

Due to many cutting conditions that exist, it is difficult to suggest a cutter deck setting that will work for every lawn. There are two adjustments that can be made to the cutter deck, pitch and height.

PITCH is the angle of the blades (comparing front to rear).

HEIGHT is the nominal distance the blade is off of the ground. This measurement is made with the blades pointed side to side and distance is measured between the cutting tip and ground. (Also see Blade Height Adjustment).

Changes to the cutting height can be achieved by repositioning the cutter deck. (This adjustment will also effect the pitch of the deck). There are three available positions. See Figure 6-7.

Caster spacers also can be repositioned to change the cutting heights and to change the pitch of the cutter deck. See Figure 6-8.

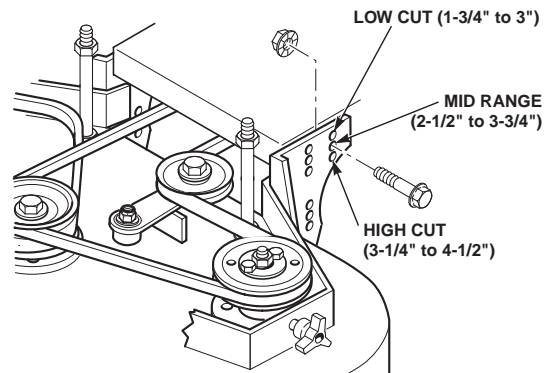


Figure 6-7. Adjusting Cutting Height

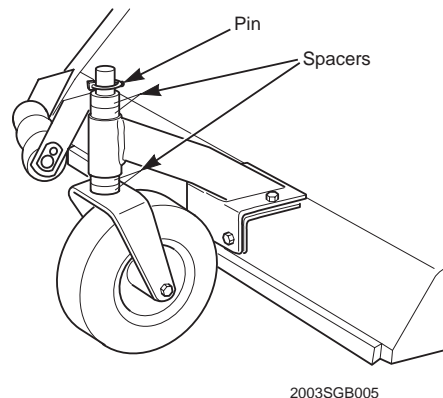


Figure 6-8. Caster Wheel Spacers

Section 6

BLADE HEIGHT ADJUSTMENT

Adjusting the blade height can be done by moving any number of the five smaller 1/4" spacers on the blade mounting bolts to the top of the spindle shaft or below the spindle shaft.

-NOTE-

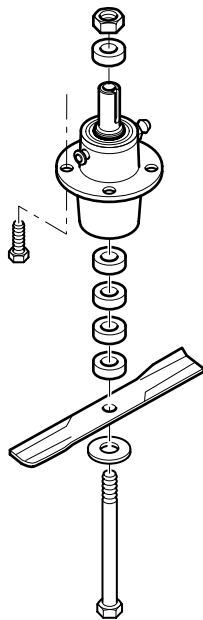
All blades should be positioned equally.



WARNING

Blades have a sharp cutting edge. Wear proper eye protection and protective gloves or wrap the blades with protective material when removing, sharpening and installing blades.

For best cut and discharge, a minimum of three spacers should be installed between the blade and the spindle. See Figure 6-9.



2002 SC407G

Figure 6-9. Blade Spacers

CUSTOM-CUT BAFFLE ADJUSTMENT

The Custom-Cut Baffle is designed to deliver optimum airflow and superior cutting performance in any type of grass. The Custom-Cut Baffle can be raised or lowered to precisely tailor the deck's performance for the type of grass being cut. The baffle can be set in seven (7) different positions for optimum performance.

- A. 3-1/2" or 3-3/4" Position - (See Figure 6-10). For very tall, wiry or tough-to-cut grass.
- B. 4" (factory setting), 4-1/4" or 4-1/2" Position - (See Figure 6-10). For general purpose cutting. This gives the best mix of cutting performance in all types of grass.
- C. 4-3/4" or 5-1/4" Position - (See Figure 6-10). Placing the baffle in either the 4-3/4" or 5-1/4" setting will enhance fall cutting (leaf pickup) and reduce cutter deck "blowout".

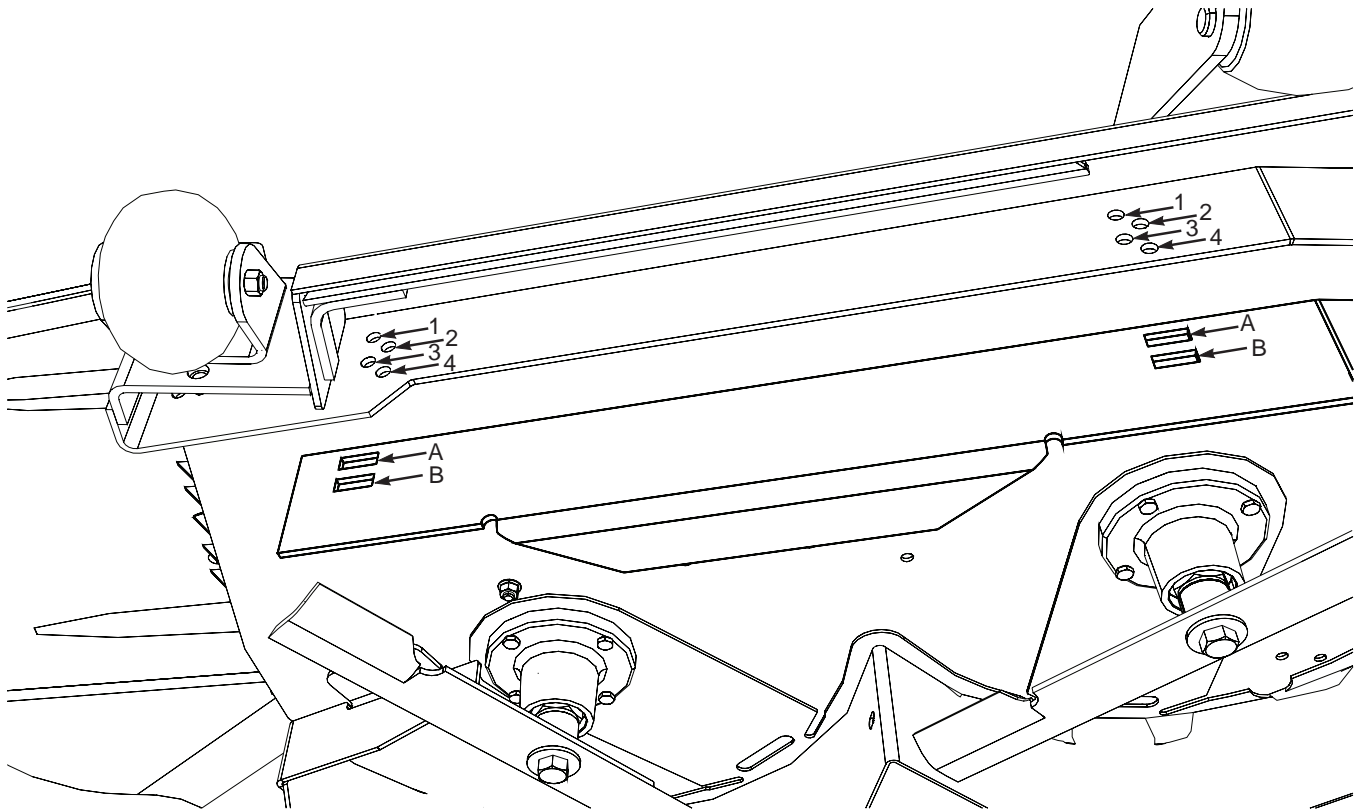
To adjust the Custom-Cut Baffle height:

1. Place the cutter deck in the transport position.
2. Remove the hardware securing the Custom-Cut Baffle to the cutter deck.

- NOTE -

Hardware location used in the illustrations are for reference only. Location of hardware may vary depending on cutter deck size.

3. Move the Custom-Cut Baffle to desired position. (See Figures 6-10).
4. Reinstall the mounting hardware. Torque hardware to 39 ft-lbs.



Custom-Cut Baffle Adjustment

Mounting Slot Selected		Mounting Hardware Location			
Slot "A"	Hole 1	Hole 2	Hole 3	Hole 4	
Height (inches)	3-3/4"	4-1/4"	4-3/4"	5-1/4"	
Slot "B"	Hole 2	Hole 3	Hole 4		
Height (inches)	3-1/2"	4"	4-1/2"		

Figure 6-10. Custom-Cut Baffle Adjustment

Section 6

6.9 ELECTRIC CLUTCH ADJUSTMENT

The electric clutch serves two functions in the operation of the mower. In addition to starting and stopping the power flow to the cutter blades, the clutch also acts as a brake to assist in stopping blade rotation when the PTO is switched off or the operator presence circuit is interrupted.

When the clutch is disengaged, the air gap between the armature and rotor must be adjusted to fifteen thousandths of an inch, 0.015, for proper operation. The airgap adjustment is made at three bolts on the clutch. There are three inspection windows, one next to each adjusting bolt. See Figure 6-11.

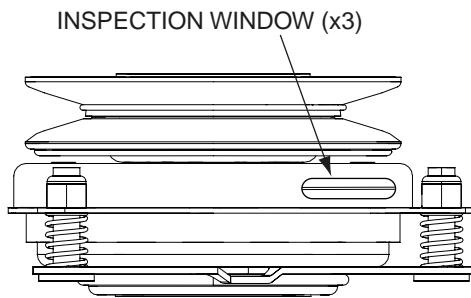


Figure 6-11. Clutch Air Gap Adjustment

1. Locate the inspection windows on the clutch.
2. Place a 0.015 feeler gauge in the slot between the rotor and the armature. See Figure 6-12.

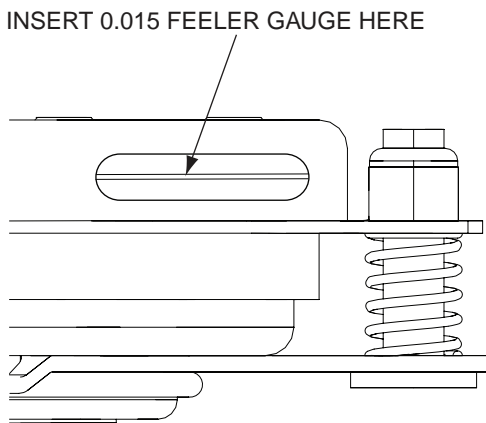


Figure 6-12. Clutch Air Gap Adjustment

3. Tighten or loosen the adjusting bolt as needed to achieve the 0.015 inch airgap. See Figure 6-13. Perform this operation at all three inspection windows.

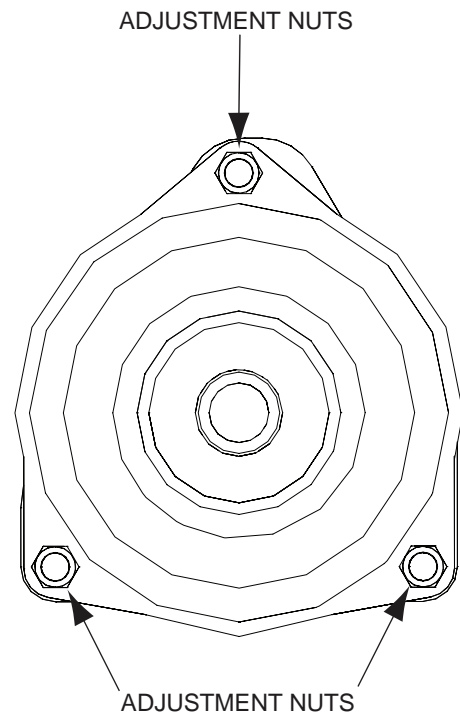


Figure 6-13. Clutch Air Gap Adjustment

This adjustment should be done every 500 hours of operation or annually, whichever comes first. In cases where the machine is heavily used, airgap settings should be checked more often.

If the air gap is too narrow, the clutch armature may drag when disengaged, resulting in premature failure.

If the air gap is too wide, the clutch may be slow to engage as the magnet must pull the armature in from a greater distance.

MAINTENANCE

7.1 MAINTENANCE CHART - RECOMMENDED SERVICE INTERVALS

BREAK-IN (FIRST 10)	HOURS						PROCEDURE	COMMENTS
	8	20	40	100	200	500		
X							Check all hardware for tightness	
X							Check all belts for proper alignment	See paragraph 7.6
	X						Check engine oil level	See paragraph 7.3
	X						*Clean mower	
	X						Check tire pressure	See paragraph 7.8
	X						*Clean air filter element	See paragraph 7.5
	X						Check condition of blades	See paragraph 7.7
	X						Sharpen cutter blades	See paragraph 7.7
	X						Check tire pressure	See paragraph 7.10
	X						Check belt tension	See paragraph 6.3
	X						Check the operator interlock system	See paragraph 4.2
		X					Change engine oil and filter	See paragraph 7.3
			X				Grease spindle bearings	
			X				Check belts for proper alignment	See paragraph 7.6
				X			Check all belts for proper alignment	
				X			*Replace engine air filter	See engine operator's manual
				X			Grease caster wheel bearings	See paragraph 7.2
				X			Check hydraulic system oil level	See paragraph 7.3
				X			Check all hardware for tightness	
				X			Change engine oil	See paragraph 7.4
				X			Grease brake lever and brake actuator levers	See paragraph 7.2
				X			*Clean air cleaner element	See paragraph 7.5

* Perform these maintenance procedures more frequently under extreme dusty or dirty conditions

MAINTENANCE CHART - RECOMMENDED SERVICE INTERVALS (CONT'D)

BREAK-IN (FIRST 10)	HOURS					PROCEDURE	COMMENTS
	8	40	100	200	500		
				X		Check hardware for tightness	
				X		Change engine oil filter	See paragraph 7.4
					X	Replace engine fuel filter	See paragraph 7.5
					X	Grease caster wheel pivot shafts	See paragraph 7.2
					X	Drain hydraulic system and replace oil and filter	See paragraph 7.3
					X	Adjust electric PTO clutch	See paragraph 6.6

7.2 LUBRICATION

GREASE FITTING LUBRICATION CHART

LOCATION	LUBRICATION INTERVAL	LUBRICANT	NO. OF PLACES
1 - Caster Wheel Pivot	100 Hours / Bi-Weekly	Chassis Grease	2
2 - Caster Wheel Bearings	100 Hours / Monthly	Chassis Grease	2
3 - Brake Actuator Levers	100 Hours / Bi-Weekly	Chassis Grease	2
4 - Cutter Deck Spindles	40 Hours / Weekly	+ US Lithium MP White Grease	2 / 3
5 - Pump Control Pivot	100 Hours / Monthly	Chassis Grease	2
6 - Brake Lever	100 Hours / Bi-Weekly	Chassis Grease	1
7 - Neutral Cam Pivot	200 Hours / Monthly	Chassis Grease	2

GREASE FITTING LUBRICATION

LUBRICANT / INTERVAL

- LITHIUM MP WHITE GREASE 2125
(40 HOURS / WEEKLY)
- CHASSIS GREASE
(100 HOURS / BI-MONTHLY)
- ⬡ CHASSIS GREASE
(200 HOURS / MONTHLY)

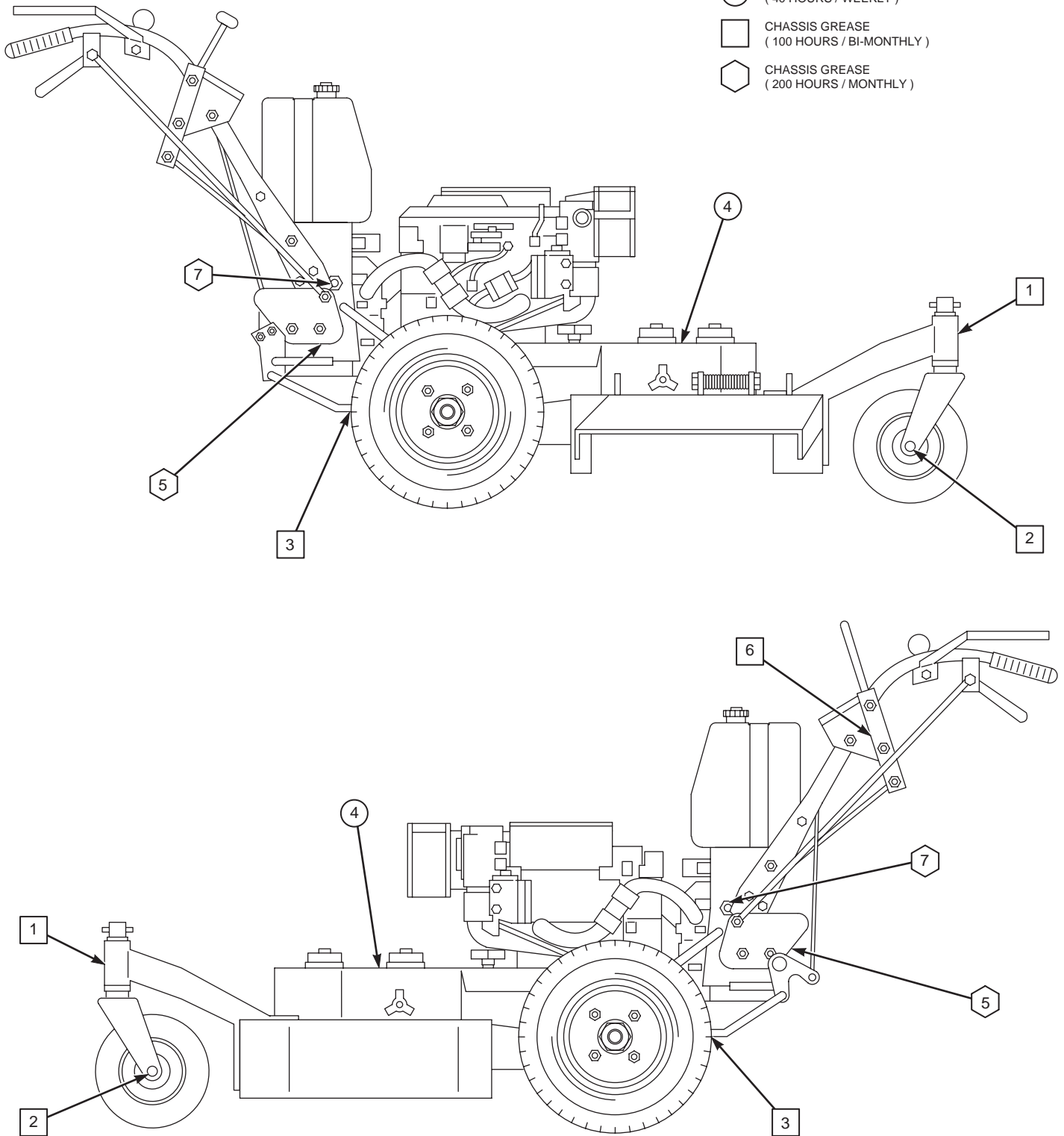


Figure 7-1. Lubrication Fitting Points

Section 7

7.3 HYDRAULIC SYSTEM

A. CHECKING HYDRAULIC OIL LEVEL

The hydraulic oil level should be checked after the first 8 hours of operation. Thereafter, check the oil after every 200 hours of machine operation or monthly, whichever occurs first.

- IMPORTANT -

If the oil level is consistently low, check for leaks and correct immediately.

1. Wipe dirt and contaminants from around the reservoir cap. Remove the cap from the hydraulic oil reservoir.
2. Visually check the level of hydraulic oil. Hydraulic oil must be at least 2" inches from top of the filler neck. If the level cannot be determined visually, use a clean tape measure to check the level. If the fluid is low, add 20W50 motor oil. DO NOT overfill; (overfilling the oil reservoir may cause oil seepage around the cap area).
3. Clean the fill cap and install it onto the reservoir.

B. CHANGING HYDRAULIC OIL

The hydraulic oil should be changed after every 500 hours or annually, whichever occurs first. The oil should also be changed if the color of the fluid has become black or milky. A black color and/or a rancid odor usually indicates possible overheating of the oil, and a milky color usually indicates water in the hydraulic oil.

- IMPORTANT -

The hydraulic oil should be changed if you notice the presence of water or a rancid odor to the hydraulic oil.

1. Park the mower on a level surface and stop the engine.
2. Place a suitable container under the hydraulic oil drain. Remove the fill cap from the reservoir. Remove the drain cap from the tee fitting located on the hydraulic system filter head. See Figure 7-2. Allow the fluid to drain into the container and properly discard it.

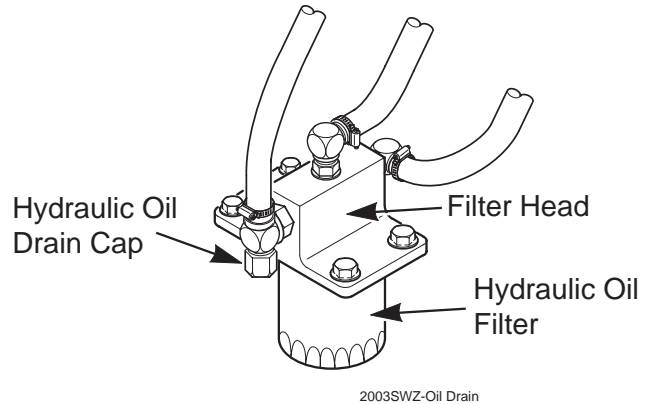


Figure 7-2. Hydraulic Oil Filter and Drain Plug

3. Re-install the drain plug into the tee fitting and be sure it is tight.

- NOTE -

Before refilling the hydraulic oil reservoir the hydraulic oil filter should be changed as outlined in Procedure C "Changing Hydraulic Oil Filter Element".

4. Fill the reservoir to 2" inches from the top of the filler neck with 20W50 motor oil.
5. Replace the reservoir fill cap. Start the engine and drive forward and backward for two minutes. Check the oil level in the reservoir. If necessary, add oil to the reservoir.

C. CHANGING HYDRAULIC OIL FILTER ELEMENT

The hydraulic oil filter should be changed after every 500 hours of operation or annually, whichever occurs first.

1. Remove the oil filter element and properly discard it. See Figure 7-2. Fill the new filter with clean oil and install the filter. Hand tighten only.
2. Run the engine at idle speed with the speed control lever in neutral for five minutes.
3. Check the oil level in the hydraulic tank. It must be 2" inches from the top of the filler neck. If necessary, add SAE 20W50 motor oil.

7.4 ENGINE OIL

A. CHECKING ENGINE CRANKCASE OIL LEVEL

The engine oil level should be checked after every 8 hours of operation or daily as instructed in the Engine Operator's Manual furnished with this mower.

B. CHANGING ENGINE CRANKCASE OIL

After the first 20 hours of operation, change the engine crankcase oil and replace the oil filter. Thereafter, change the engine crankcase oil after every 100 hours of operation or bi-weekly, whichever occurs first. Refer to the Engine Operator's Manual furnished with this mower for instructions.

C. CHANGING ENGINE OIL FILTER

After the first 20 hours of operation, replace the engine oil filter. Thereafter, replace the oil filter after every 200 hours of operation or every month, whichever occurs first. Refer to Engine Operator's Manual for instructions.

7.5 ENGINE FUEL SYSTEM

DANGER

To avoid injury from burns, allow the mower to cool before removing the fuel tank cap and refueling.

A. FILLING THE FUEL TANK

Fill the fuel tank at the beginning of each operating day to within one (1) inch below the bottom of the filler neck. Do not overfill. Use clean, fresh unleaded gasoline with a minimum octane rating of 87 and a maximum of 10% Ethanol.

DO NOT use E85 Fuel. Using E85 Fuel will cause severe damage to the engine.

To avoid personal injury or property damage, use extreme care in handling gasoline. Gasoline is extremely flammable and the vapors are explosive.

1. Extinguish all cigarettes, cigars, pipes and other sources of ignition.
2. Use only an approved gasoline container.
3. Never remove the gas cap or add fuel with the engine running. Allow the engine to completely cool before fueling.
4. Never fuel the machine indoors or in an enclosed trailer.
5. Never store the machine or fuel container where there is an open flame, spark or pilot light such as on a water heater or other appliances.
6. Never fill containers inside a vehicle or on a truck or trailer bed with a plastic liner. Always place containers on the ground away from your vehicle before filling.
7. Remove the machine from the truck or trailer and fuel on the ground. If this is not possible, then refuel the machine with a portable container, rather than from a gasoline dispenser nozzle.
8. Keep the nozzle in contact with the rim of fuel tank or container opening at all times until fueling is complete. Do not use a nozzle lock-open device.
9. If fuel is spilled on clothing, change clothing immediately and wash affected skin.
10. Replace gas cap and tighten securely.

B. REPLACING IN-LINE FUEL FILTER ELEMENTS

The engine fuel filter should be replaced after every 500 hours of operation or annually, whichever occurs first.

1. Close the shut-off valve.
2. Remove and replace the engine fuel filter. Open the fuel shut-off valve.

Section 7

7.6 ENGINE AIR CLEANER

A. CLEANING AND/OR REPLACING AIR CLEANER ELEMENT

For any air cleaner, the operating environment dictates the air cleaner service periods. Inspect and clean the air cleaner element after every 100 hours of operation or bi-weekly, whichever occurs first and replace the element if required.

- NOTE -

In extremely dusty conditions it may be necessary to check the element once or twice daily to prevent engine damage.

1. Remove the air cleaner cover. Set aside.
2. Remove the air cleaner and inspect.
3. Clean or replace the air cleaner and foam pre-cleaner as recommended by the engine manufacturer.
4. Replace the air cleaner cover and secure.

7.7 BATTERY - ELECTRIC START MODELS

WARNING

Lead-acid batteries produce flammable and explosive gases. To avoid personal injury when checking, testing or charging batteries, DO NOT use smoking materials near batteries. Keep arcs, sparks and flames away from batteries. Provide proper ventilation and wear safety glasses.

WARNING

Battery posts, terminals, and related accessories contain lead and lead compounds, chemicals known to cause cancer and reproductive harm. Wash hands after handling.

WARNING

Electric storage battery fluid contains sulfuric acid which is POISON and can cause SEVERE CHEMICAL BURNS. Avoid contact of fluid with eyes, skin, or clothing. Use proper protective gear when handling batteries. DO NOT tip any battery beyond 45° angle in any direction. If fluid contact does occur, follow first aid suggestions below.

BATTERY ELECTROLYTE FIRST AID

External Contact — Flush with water.

Eyes — Flush with water for at least 15 minutes and get medical attention immediately.

Internal — Drink large quantities of water. Follow with Milk Of Magnesia, beaten egg, or vegetable oil. Get medical attention immediately. In case of internal contact, DO NOT give fluids that would induce vomiting.

A. CHARGING THE BATTERY

Refer to the battery charger's manual for specific instructions.

Under normal conditions the engine's alternator will have no problem keeping a charge on the battery. If the battery has been completely discharged for a long period of time, the alternator may not be able to recharge the battery, and a battery charger will be required.

DO NOT charge a frozen battery. It may explode and cause injury. Let the battery warm before attaching a charger.

Whenever possible, remove the battery from the mower before charging and make sure the electrolyte covers the plates in all cells.

WARNING

BATTERIES PRODUCE EXPLOSIVE GASES. Charge the battery in a well ventilated space so gases produced while charging can dissipate.

Charging rates between 3 and 50 amperes are satisfactory if excessive gassing or spewing of electrolyte does not occur or the battery does not feel excessively hot (over 125°F). If spewing or gassing occurs or the temperature exceeds 125°F, the charging rate must be reduced or temporarily stopped to permit cooling.

B. JUMP STARTING

1. The booster battery must be a 12 volt type. If a vehicle is used for jump starting, it must have a negative ground system.
2. When connecting the jumper cables, connect the positive cable to the positive battery post, then connect the negative cable to the negative battery post.

7.8 CUTTER BLADES

A. BLADE INSPECTION

1. Remove the ignition key before servicing the blades.
2. Raise the mower deck to the highest position. Place the lanyard pin in the highest cutting height position to prevent the cutter deck from falling.

WARNING

Always wear proper hand and eye protection when working with cutter blades.

3. Check the cutter blades for straightness. If the cutter blades appear bent, they will need to be replaced.

WARNING

Do not attempt to straighten a bent blade, and never weld a broken or cracked blade. Always replace it with a new blade to assure safety.

4. If a blade cutting edge is dull or nicked, it should be sharpened. Remove the blades for sharpening. See "Blade Replacement."

- NOTE -

Keep the blades sharp. Cutting with dull blades not only yields a poor mowing job, but slows the cutting speed of the mower and causes extra wear on the engine and the blade drive by pulling hard.

B. BLADE SHARPENING

- NOTE -

If possible, use a file to sharpen the blade. Using a wheel grinder may burn the blade.

- NOTE -

DO NOT sharpen the blades beyond 1/3 of the width of the blade. See Figure 7-3.

1. Sharpen the cutting edge at the same bevel as the original. See Figure 7-3. Sharpen only the top of the cutting edge to maintain sharpness.

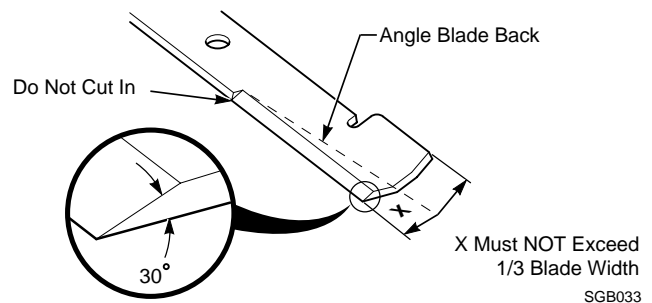


Figure 7-3. Blade Sharpening

2. Check the balance of the blade. If the blades are out of balance, vibration and premature wear can occur. See your authorized Scag dealer for blade balancing or special tools, if you choose to balance your own blades.

Section 7

C. BLADE REPLACEMENT

7.9 TIRES

WARNING

Always wear proper hand and eye protection when working with cutter blades.

Check the tire pressures after every 8 hours of operation or daily.

Caster Wheels
Drive Wheels

Flat-Free
12 PSI

1. Remove the ignition key before replacing the blades.
2. Remove the belt cover.
3. Secure the cutter blades to prevent them from rotating, (use the optional Blade Buddy tool P/N 9212, to assist in securing the cutter blades), remove the blade attaching bolt. Remove the cutter blade, bolt, lockwasher and flatwasher from the spindle shaft. See Figure 7-4.

- NOTE -

Be sure that the blade is installed with the lift wing towards the top of the cutter deck.

4. Install the cutter blade on to the cutter spindle shaft. Secure the blades from rotating and torque to 75 ft/lbs. See Figure 7-4.
5. Install the belt cover.

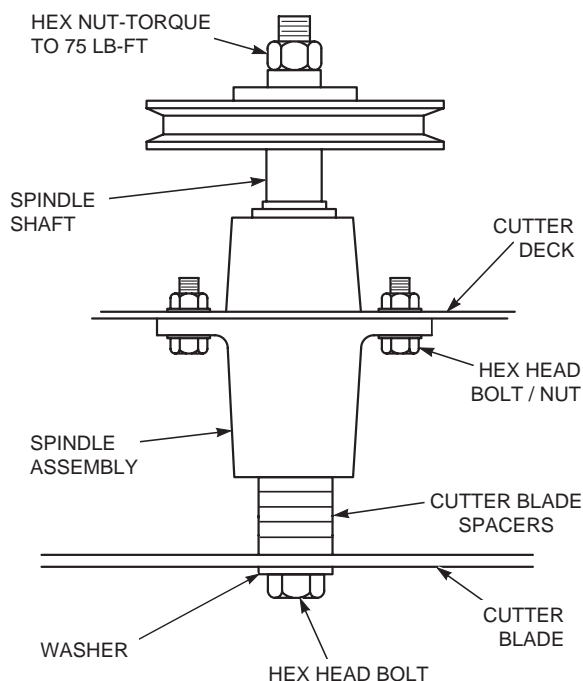


Figure 7-4. Blade Replacement

ILLUSTRATED PARTS LIST

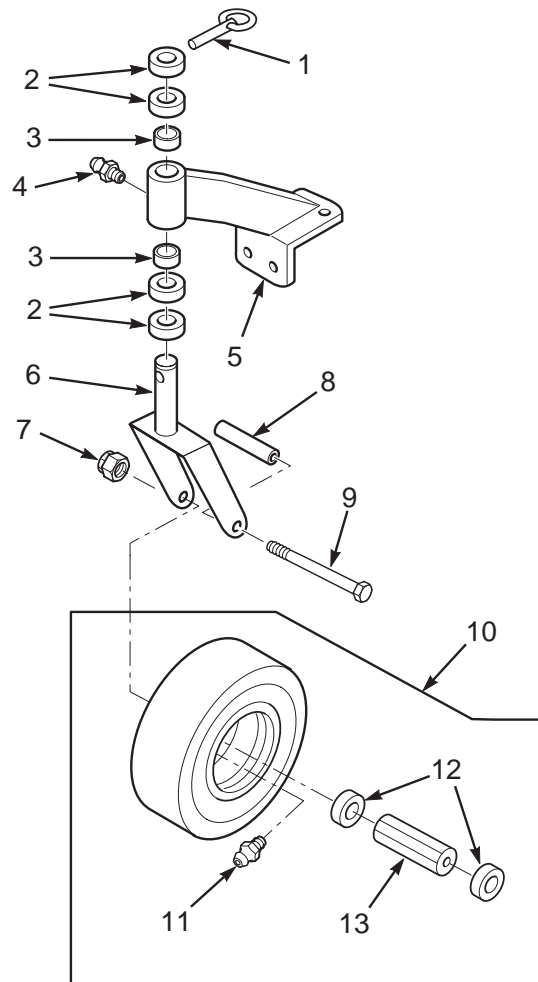
8.1 SCAG APPROVED ATTACHMENTS AND ACCESSORIES.

Attachments and accessories manufactured by companies other than Scag Power Equipment are not approved for use on this machine.

Scag approved attachments and accessories:

- Mulch Plate (p/n 9258, 9286, 9287)
- Hurricane Mulch (p/n 9263, 9283, 9284)
- GC-4D (p/n 9054)
- GC-F4 (p/n 9055)
- Blade Buddy (p/n 9212)
- Hour Meter (p/n 48023)
- Turbo Baffle (p/n 424208)

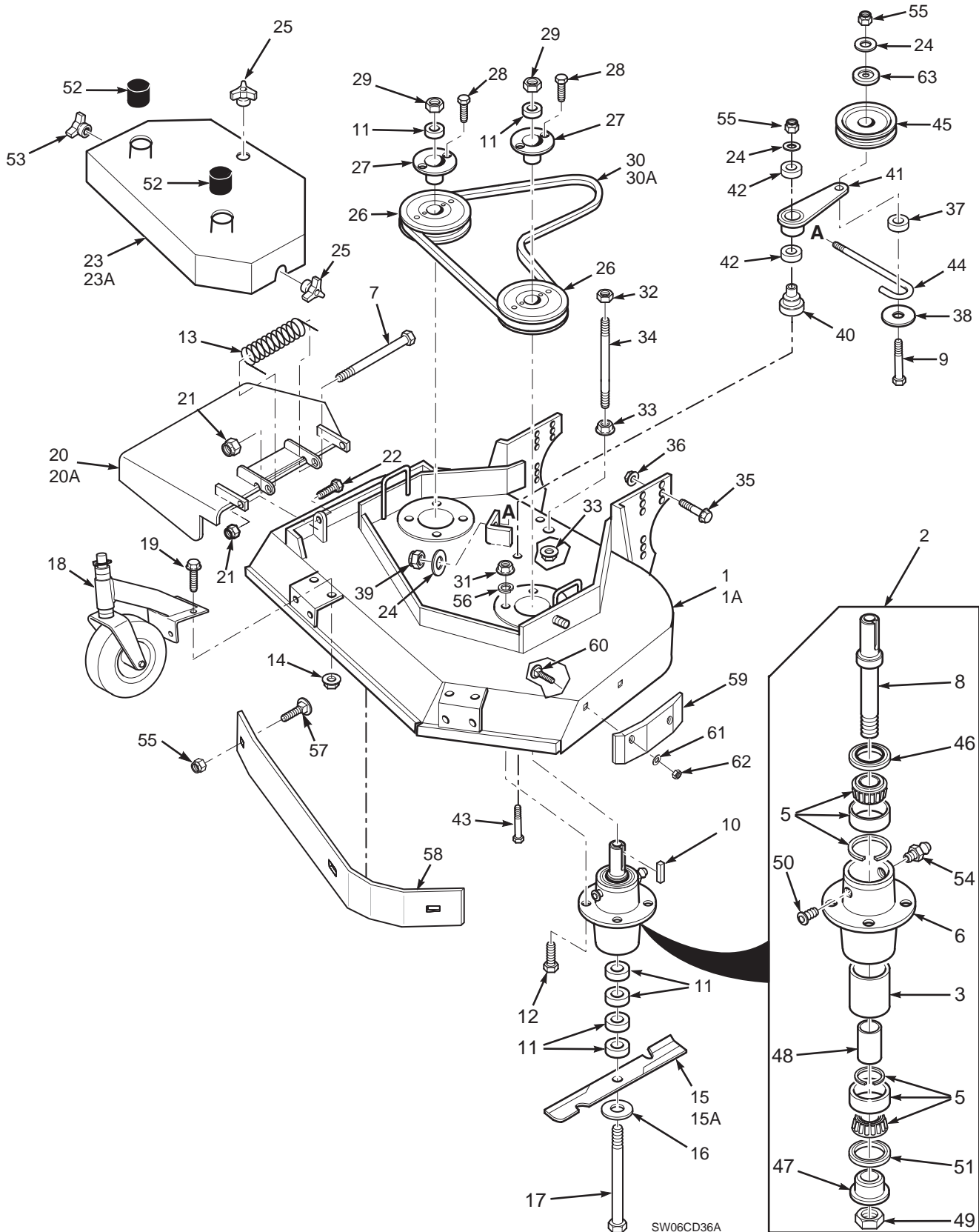
CASTER ASSEMBLY



SW-SWZ2006CSTR

Ref. No.	Part No.	Description
1	04066-01	Quick Pin
2	43037-01	Spacer, Spacer Yoke, 1/2" Long
3	48100-01	Bronze Bearing
4	48114-04	Greasing Fitting
5	46082	Support Assembly (Incl. #3 & #4)
6	45006	Caster Yoke
7	04021-07	Nut, Elastic Stop 1/2-13
8	43022	Sleeve, Caster Wheel Bearing
9	04001-37	Bolt, Hex Head 1/2-13 x 5-1/2"
10	9275	Flat-Free Tire Assy. (Incl. #11, #12, #13)
11	48114-03	Grease Fitting, 45 Degree 1/4-28
12	481770	Retainer, Caster Wheel Bearing
13	481769	Roller Bearing, Caster Wheel

36A CUTTER DECK

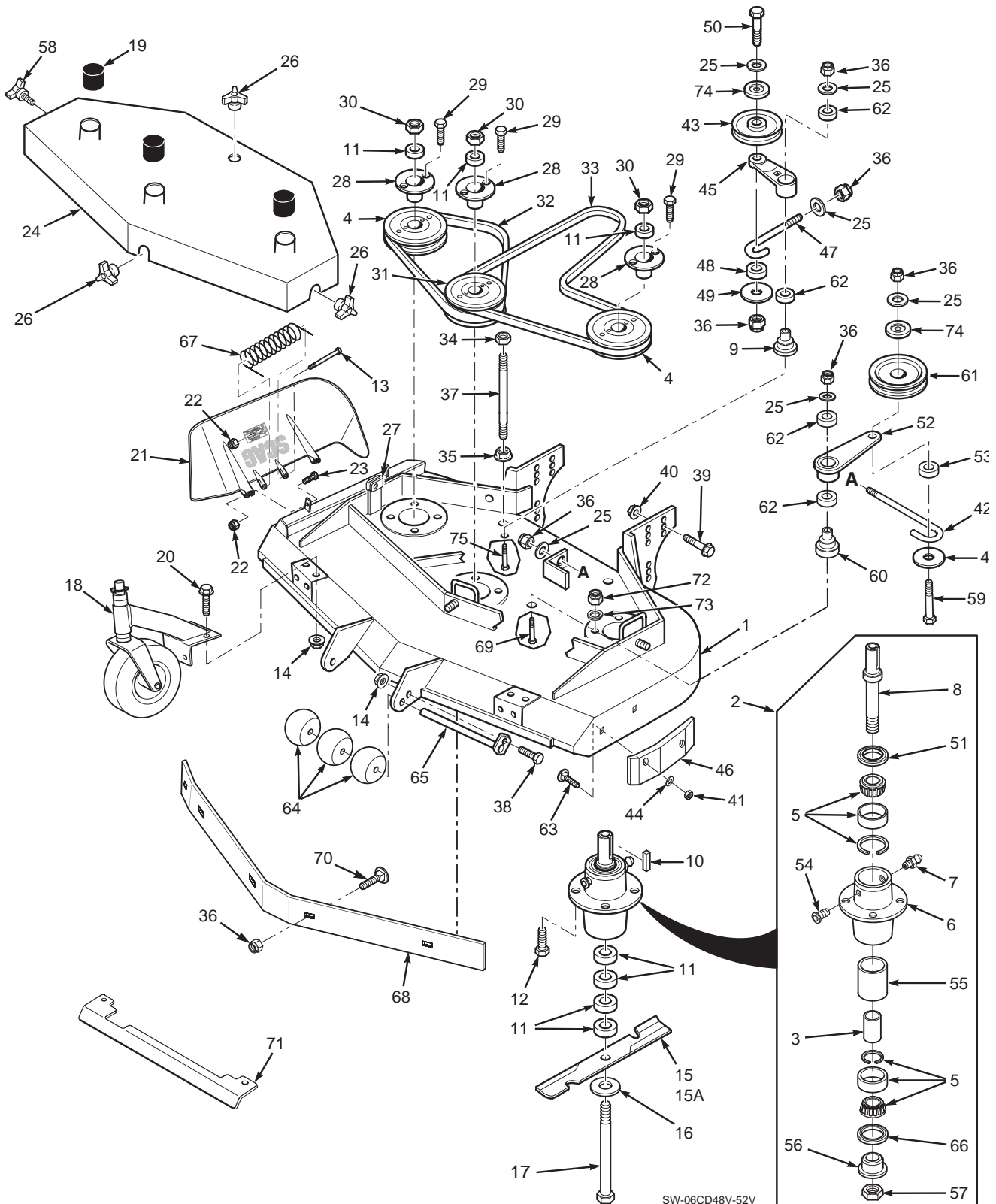


36A CUTTER DECK

Ref. No.	Part No.	Description
1	461848	Cutter Deck w/Decals
2	461663	Cutter Spindle Assembly
3	43312	Spacer, Outside
5	481022	Bearing, Tapered
6	43644	Spindle Housing
7	04001-154	Bolt, 5/16-18 x 4-3/4"
8	43589	Spindle Shaft
9	04001-51	Bolt, 3/8-16 x 3-3/4" Hex Head
10	04063-08	Key, 1/4 x 1/4 x 2"
11	43592	Spacer, Cutter Blade - Small
12	04001-175	Bolt, 5/16-18 x 1-1/2" Hex Head Grade 8
13	482245	Spring, Chute Return
14	04019-03	Nut 5/16-18 Serrated Flange
15	481707	Cutter Blade, 18"
15A	481711	Cutter Blade, 18 Hi-Lift
16	04043-06	Flatwasher, 5/8 W
17	04001-41	Hex Hd. Bolt, 5/8-11 x 9-1/2"
18	461023	Caster Assembly
19	04017-16	Cpscrw, 5/16-18 x 3/4" Ser.Flg. Hex Head
20	461295	Discharge Chute
21	04021-10	Hex Nut, 5/16-18 Elastic Stop
22	04001-09	Hex Hd Bolt, 5/16-18 x 1"
23	461709	Belt Cover Assy (Incl. Decal)
23A	462030	Belt Cover Assy (Incl. Decal)
24	04043-04	Flat Washer, 3/8" Special
25	04029-03	Wing Nut, 3/8-16
26	482744	Pulley
27	48926	Tapered Hub
28	04001-172	Hex Hd. Bolt, 1/4-20 x 1"
29	04020-09	Hex Nut, 5/8-11
30	48204	Belt, Blade Drive
31	04021-22	Elastic Stop Nut, 5/16-18 Grade 8
32	04021-05	Hex Nut, 3/8-16 Center Locknut
33	04019-04	Nut, 3/8-16 Serrated Flange
34	04004-02	Support, Belt Cover
35	04017-36	Cpscrw, 1/2-13 x 1" Ser.Flg. HH
36	04112-05	Nut, 1/2-13 Spiralock
37	43277	Spacer, J-Hook
38	04041-12	Flatwasher, 3/8 x 1-1/2 x 16 GA
39	04021-09	Elastic Stop Nut, 3/8-16
40	43681	Idler Pivot
41	461841	Idler Arm Assy. (Inc. 42)
42	48224	Bearing
43	04001-62	Cpscrw, 3/8-16 x 3-1/4" Hex Head
44	44078	J-Hook

Ref. No.	Part No.	Description
45	483215	Idler Pulley, Belt Clutch
46	481024	Seal, Cutter Spindle
47	43297	Spindle Bushing
48	43296	Spacer, Inside
49	481035	Nut, 1.06-18
50	48677	Relief Fitting, Cutter Spindle
51	481025	Seal, Cutter Spindle
52	48098	Spindle Shield
53	04029-04	Wing Nut, 3/8-16 (Small) RH side
54	48114-04	Grease Fitting
55	04021-09	Nut, Hex Elastic Stop 3/8-16
56	04030-03	Lock Washer, 5/16"
57	04003-23	Bolt, Carriage 3/8-16 x 1"
58	423783	Baffle Weldment
59	483174	Pad, Deck Wear
60	04003-12	Bolt, Carriage 5/16-18 x 3/4"
61	04040-04	Flatwasher, 5/16"
62	04021-04	Hex Nut, 5/16-18 Center Locknut
63	424367	Dust Shield

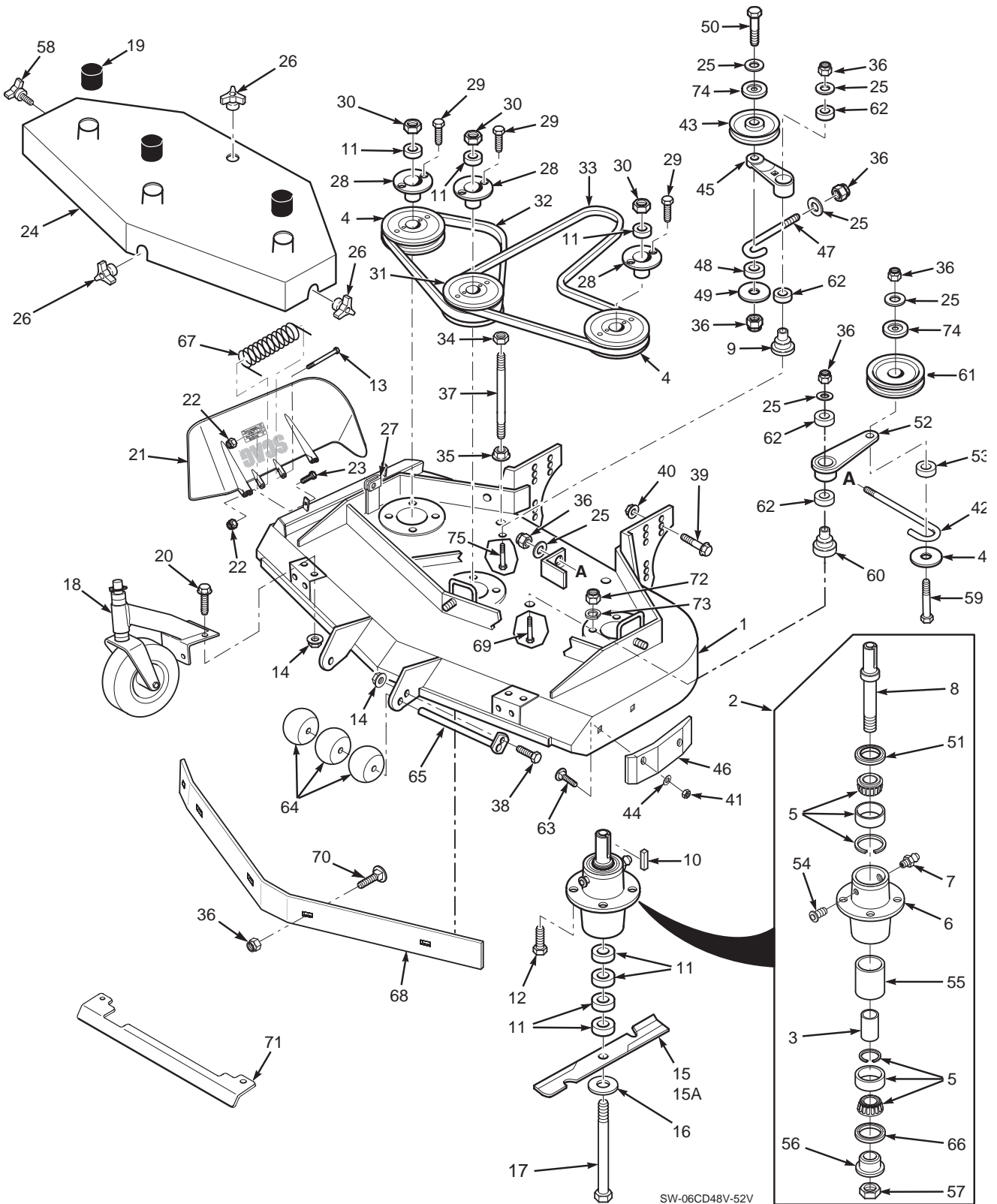
48V & 52V CUTTER DECKS



48V & 52V CUTTER DECKS

Ref. No.	Part No.	Description	48	52	Ref. No.	Part No.	Description	48	52
1	461852	Cutter Deck w/Decals	x		45	461091	Idler Arm Assy. (Incl. 62)	x	x
	461855	Cutter Deck w/Decals		x	46	483176	Pad, Deck Wear	x	x
2	461663	Spindle Assembly	x	x	47	43028	J-Rod, Idler Pulley	x	x
3	43296	Spacer, Inside	x	x	48	43077	Spacer, J-Rod	x	x
4	482744	Pulley	x	x	49	04041-12	Washer, 3/8 x 1-1/2 x 16 ga.	x	x
5	481022	Tapered Bearing	x	x	50	04001-31	Bolt, 3/8-16 x 2-1/2" Hex Head	x	x
6	43644	Spindle Housing	x	x	51	481024	Seal, Cutter Spindle	x	x
7	48114-04	Grease Fitting Str. 5/16"	x	x	52	461841	Idler Arm Assy (Includes 62)	x	x
8	43589	Spindle Shaft	x	x	53	43277	Spacer, J-Rod	x	x
9	43682	Idler Pivot	x	x	54	48677	Reief Fitting, Cutter Spindle	x	x
10	04063-08	Key, 1/4 x 1/4 x 2"	x	x	55	43312	Spacer, Outside, Cutter Spindle	x	x
11	43592	Spacer, Cutter Blade - Small	x	x	56	43297	Spindle Bushing	x	x
12	04001-175	Bolt, 5/16-18 x 1-1/2" Hex Head Gr. 8	x	x	57	481035	Nut, Cutter Spindle	x	x
13	04001-154	Bolt, 5/16-18 x 4-3/4" Hex Head	x	x	58	481625-01	Knob, w/stud	x	x
14	04019-03	Serr. Flange Nut, 5/16-18	x	x	59	04001-51	Bolt, 3/8-16 x 3-3/4" Hex Head	x	x
15	481706	Cutter Blade 16-1/2"	x		60	43681	Idler Pivot	x	x
	481707	Cutter Blade 18"		x	61	483215	Idler Pulley, Belt Clutch	x	x
15A	481710	Cutter Blade 16-1/2 Hi-Lift	x		62	48224	Bearing	x	x
	481711	Cutter Blade 18 Hi-Lift		x	63	04003-12	Bolt, Carriage 5/16-18 x 3/4"	x	x
16	04043-06	Flatwasher, 5/8" (.688 x 1.75 x .134)	x	x	64	482295	Guide Roller	x	x
17	04001-41	Hex Head Bolt, 5/8-11 x 9-1/2"	x	x	65	45944	Roller Shaft	x	x
18	461023	Caster Assembly	x	x	66	481025	Seal, Cutter Spindle	x	x
19	48098	Spindle Shield	x	x	67	483378	Spring, Chute Return	x	x
20	04017-16	Capscrew, 5/16-18 x 3/4"	x	x	68	424839	Baffle Weldment 48V	x	
21	461844	Discharge Chute 48V	x			424840	Baffle Weldment 52V		x
	461845	Discharge Chute 52V		x	69	04001-62	Bolt, 3/8-16 x 3-1/4" Hex Head	x	x
22	04021-10	Nut, 5/16-18 Elastic Elastic Stop	x	x	70	04003-23	Bolt, Carriage 3/8-16 x 1"	x	x
23	04001-11	Bolt, 5/16-18 x 1-1/2" Hex Head	x	x	71	423972	Heatshield	x	x
24	461866	Belt Cover (Incl. decals)	x		72	04021-22	Nut, Hex Lock 5/16-18	x	x
	461867	Belt Cover (Incl. decals)		x	73	04030-03	Lock Washer 5/16"	x	x
25	04043-04	Flat Washer, 3/8" Special	x	x	74	424367	Dust Shield	x	x
26	04029-03	Wing Nut, 3/8-16 (Large)	x	x	75	04001-22	Bolt, 3/8-16 x 2-3/4" Hex Head	x	x
27	04110-03	U-Nut, 3/8-16	x	x					
28	48926	Tapered Hub	x	x					
29	04001-172	Bolt, 1/4-20 x 1" Hex Head Grade 8	x	x					
30	04020-09	Nut, 5/8-11 Hex	x	x					
31	482748	Pulley, Double	x	x					
32	48087	Belt, RH Blade Drive	x						
	48285	Belt, RH Blade Drive		x					
33	48089	Belt, Blade Drive	x						
	483518	Belt, Blade Drive		x					
34	04021-05	Nut, 3/8-16, Nut Centerlock	x	x					
35	04019-04	Nut, 3/8-16, Serrated Flange	x	x					
36	04021-09	Nut, 3/8-16 Elastic Stop	x	x					
37	04004-02	Bolt, 5/16-18 x 1" Hex Head	x	x					
38	04001-09	Bolt, 5/16-18 x 1" Hex Head	x	x					
39	04017-36	Cpscrw, 1/2-13 x 1" Ser. Fig. HH	x	x					
40	04112-05	Nut, 1/2-13 Spirallock	x	x					
41	04021-04	Hex Nut, 5/16-18 Center Locknut	x	x					
42	44078	J-Hook, 48V	x						
	43028	J-Hook, 52V		x					
43	48181	Idler Pulley, "V" Groove	x	x					
44	04040-04	Flatwasher, 5/16"	x	x					

61V CUTTER DECK

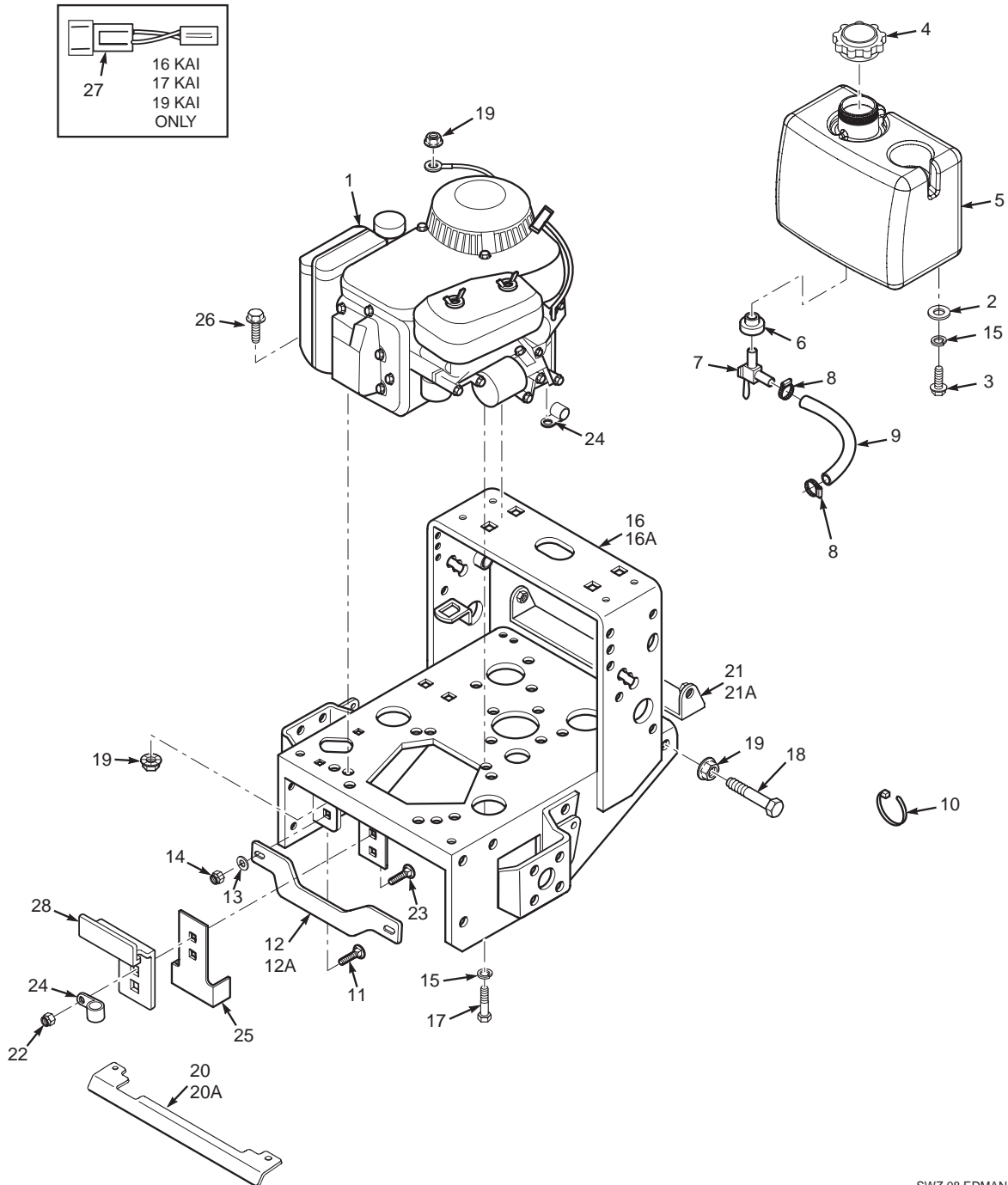


SW-06CD48V-52V

61V CUTTER DECK

Ref. No.	Part No.	Description	Ref. No.	Part No.	Description
1	461860	Cutter Deck w/Decals	45	461091	Idler Arm Assy. (Incl. 62)
2	461663	Spindle Assembly	46	483176	Pad, Deck Wear
3	43296	Spacer, Inside	47	43028	J-Rod, Idler Pulley
4	482745	Pulley	48	43077	Spacer, J-Rod
5	481022	Tapered Bearing	49	04041-12	Washer, 3/8 x 1-1/2 x 16 ga.
6	43644	Spindle Housing	50	04001-31	Bolt, 3/8-16 x 2-1/2" Hex Head
7	48114-04	Grease Fitting Str. 5/16"	51	481024	Seal, Cutter Spindle
8	43589	Spindle Shaft	52	461841	Idler Arm Assy (Includes 62)
9	43682	Idler Pivot	53	43277	Spacer, J-Rod
10	04063-08	Key, 1/4 x 1/4 x 2"	54	48677	Reief Fitting, Cutter Spindle
11	43592	Spacer, Cutter Blade - Small	55	43312	Spacer, Outside, Cutter Spindle
12	04001-175	Bolt, 5/16-18 x 1-1/2" Hex Head Gr. 8	56	43297	Spindle Bushing
13	04001-154	Bolt, 5/16-18 x 4-3/4" Hex Head	57	481035	Nut, Cutter Spindle
14	04019-03	Serr. Flange Nut, 5/16-18	58	481625-01	Knob, w/stud
15	481708	Cutter Blade 21"	59	04001-51	Bolt, 3/8-16 x 3-3/4" Hex Head
15A	481712	Cutter Blade 21" Hi-Lift	60	43681	Idler Pivot
16	04043-06	Flatwasher, 5/8" (.688 x 1.75 x .134)	61	483215	Idler Pulley, Belt Clutch
17	04001-41	Hex Head Bolt, 5/8-11 x 9-1/2"	62	48224	Bearing
18	461023	Caster Assembly	63	04003-12	Bolt, Carriage 5/16-18 x 3/4"
19	48098	Spindle Shield	64	482295	Guide Roller
20	04017-16	Capscrew, 5/16-18 x 3/4"	65	45944	Roller Shaft
21	461846	Discharge Chute 61V	66	481025	Seal, Cutter Spindle
22	04021-10	Nut, 5/16-18 Elastic Elastic Stop	67	483378	Spring, Chute Return
23	04001-11	Bolt, 5/16-18 x 1-1/2" Hex Head	68	424841	Baffle Weldment 61V
24	461868	Belt Cover (Incl. decals)	69	04001-62	Bolt, 3/8-16 x 3-1/4" Hex Head
25	04043-04	Flat Washer, 3/8" Special	70	04003-23	Bolt, Carriage 3/8-16 x 1"
26	04029-03	Wing Nut, 3/8-16 (Large)	71	423972	Heatshield
27	04110-03	U-Nut, 3/8-16	72	04021-22	Nut, Hex Lock 5/16-18
28	48926	Tapered Hub	73	04030-03	Lock Washer 5/16"
29	04001-172	Bolt, 1/4-20 x 1" Hex Head Grade 8	74	424367	Dust Shield
30	04020-09	Nut, 5/8-11 Hex	75	04001-22	Bolt, 3/8-16 x 2-3/4" Hex Head
31	48940	Pulley, Double			
32	48265	Belt, RH Blade Drive			
33	48088	Belt, Blade Drive			
34	04021-05	Nut, 3/8-16, Nut Centerlock			
35	04019-04	Nut, 3/8-16, Serrated Flange			
36	04021-09	Nut, 3/8-16 Elastic Stop			
37	04004-02	Bolt, 5/16-18 x 1" Hex Head			
38	04001-09	Bolt, 5/16-18 x 1" Hex Head			
39	04017-36	Cpscrw, 1/2-13 x 1" Ser.Flg. HH			
40	04112-05	Nut, 1/2-13 Spirallock			
41	04021-04	Hex Nut, 5/16-18 Center Locknut			
42	44078	J-Hook, 61V			
43	48181	Idler Pulley, "V" Groove			
44	04040-04	Flatwasher, 5/16"			

ENGINE DECK - MANUAL START

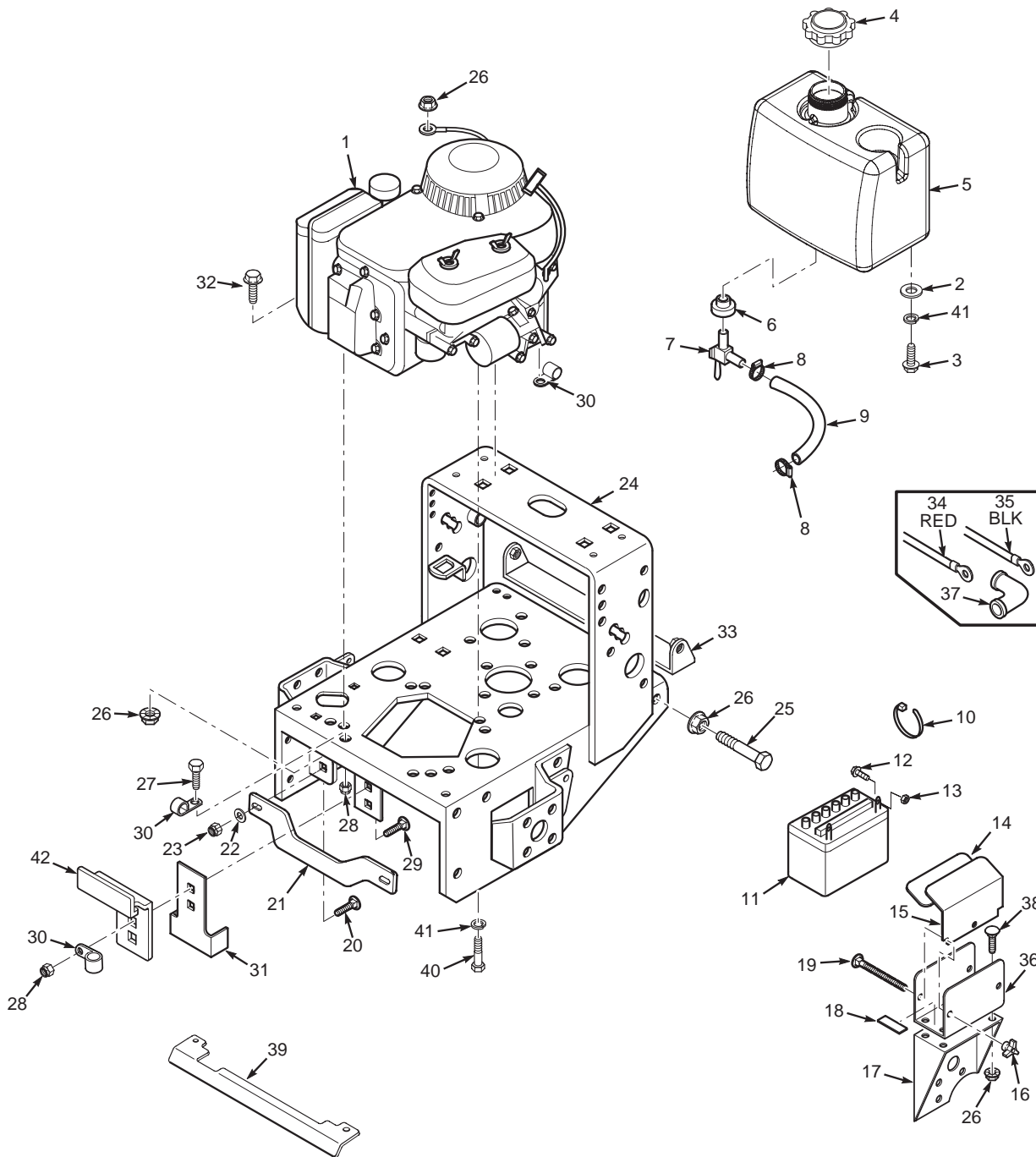


SWZ 08 EDMAN

ENGINE DECK - MANUAL START

Ref. No.	Part No.	Description	16KAI	17KAI	19KAI
1	483263	Engine, 16HP Kawasaki (Spec FH480V-BS24-R)	X		
	482927	Engine, 17HP Kawasaki (Spec FH541V-BS38-R)		X	
	482928	Engine, 19HP Kawasaki (Spec FH580V-BS34-R)			X
2	04040-15	Flatwasher, 5/16 - .375 x .875 x .083	X	X	X
3	04001-09	Capscrew, 5/16-18 x 1" Hex Head	X	X	X
4	482547	Cap, Fuel Tank	X	X	X
5	461729	Fuel Tanks Assembly (incl. #6 & #7)	X	X	X
6	48309	Bushing	X	X	X
7	483747	Valve, Fuel Shut Off w/Screen	X	X	X
8	48059-01	Clamp, Fuel Hose	X	X	X
9	483617	Fuel Hose, 1/4" ID x 18" (order by inch)	X	X	X
10	48028-05	Cable Tie	X	X	X
11	04003-11	Bolt, Carriage 3/8-16 x 1-1/4"	X	X	X
12	424002	Brace, 16" Small Frame	X	X	X
12A	424009	Brace, 20" Large Frame		X	X
13	04043-04	Flatwasher, .391 x .938 x .105	X	X	X
14	04021-09	Nut, 3/8-16 Elastic Stop	X	X	X
15	04030-03	Lockwasher, 5/16"	X	X	X
16	461745	Engine Deck, 16" Wide w/Decals	X	X	X
16A	461748	Engine Deck, 20" Wide w/Decals		X	X
17	04017-19	Bolt, 5/16-18 x 1"Serrated Flange	X	X	X
18	0400-17	Bolt, 5/16-18 x 2" Hex Head	X	X	X
19	04019-03	Nut, 5/16-18 Serr. Flange	X	X	X
20	424661	Heatshield, 16" Small Frame		X	X
20A	424730	Heatshield, 20" Large Frame		X	X
21	45418	Pulley Guard, 16" Small Frame	X	X	X
21A	45419	Pulley Guard, 20" Large Frame		X	X
22	04021-10	Nut, 5/16-18 Elastic Stop	X	X	X
23	04003-04	Bolt, Carriage 5/16-18 x 1"	X	X	X
24	48030-09	Clamp	X	X	X
25	421370	Clutch Bracket	X	X	X
26	04017-19	Capscrew, 5/16-18 x 1-1/2" Serr. Flange	X	X	X
27	481717	Wire Harness Adapter	X	X	X
28	424620	Plate, Clutch Bracket	X	X	X

ENGINE DECK - ELECTRIC START

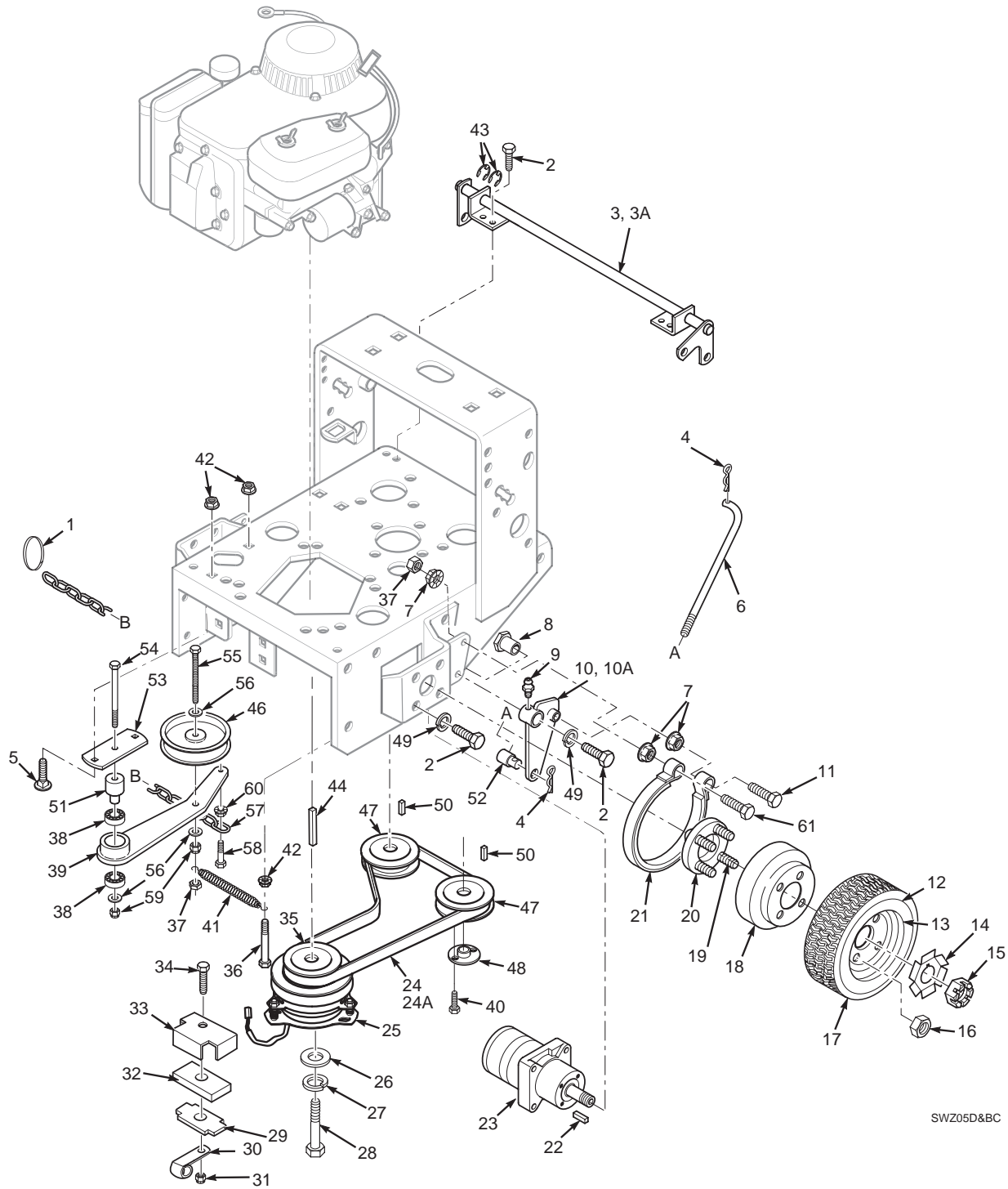


SWZ 08 EDELCT

ENGINE DECK - ELECTRIC START

Ref. No.	Part No.	Description
1	481964	Engine, 21KAE Kawasaki (Spec FH641V-GS06-R)
2	04040-15	Flatwasher, 5/16-.375 x 875 x .083
3	04001-09	Capscrew, 5/16-18 x 1" Hex Head
4	482547	Cap, Fuel Tank
5	461729	Fuel Tank Assy. (incl. 6, 7)
6	48309	Bushing
7	483747	Valve, Fuel Shut Off w/Screen
8	48059-01	Clamp, Fuel Hose
9	483617	Fuel Hose, 1/4 ID x 20" (order by inch)
10	48028-05	Cable Tie
11	**	Battery (Not Available Through Scag)
12	04001-44	Bolt, 1/4-20 x 1/2"
13	04020-02	Nut, 1/4-20
14	48099	Pad
15	42392	Battery Cover
16	04029-01	Wing Nut, 1/4-20
17	423746	Battery Support
18	48661	Pad, Rubber
19	04003-01	Bolt, 1/4-20 x 6" Carriage
20	04003-11	Carriage Bolt, 3/8-16 X 1-1/4"
21	424009	Brace, 20" Large Frame
22	04043-04	Flat Washer .391 x .938 x .105
23	04021-09	Nut, 3/8-16 Elastic Stop
24	461748	Engine Deck, 20" Wide, w/decals
25	04001-17	Bolt, 5/16-18 x 2" Hex Head
26	04019-03	Nut, 5/16-18 Serr. Flange
27	04001-08	Hex Head Bolt, 5/16-18 x .75"
28	04021-10	Nut, 5/16-18 Elastic Stop
29	04003-04	Carriage Bolt, 5/16-18 x 1"
30	48030-09	Clamp
31	421370	Clutch Bracket
32	04017-19	CapScrw, 5/16-18 x 1.50" Serrated Flg.
33	45419	Pulley Guard, 20" Frame
34	48029-02	Battery Cable, 31.5" Red
35	48029-14	Battery Cable, 31.5" Black
36	423308	Battery Box
37	48126	Rubber Boot
38	04003-12	Carriage Bolt, 5/16-18 x .75"
39	424730	Heatshield, 20" Large Frame
40	04017-19	Bolt, 5/16-18 x 1" Serrated Flg. Hex Head
41	04030-03	Lock Washer 5/16"
42	424620	Plate, Clutch Bracket

DRIVE AND BRAKE COMPONENTS

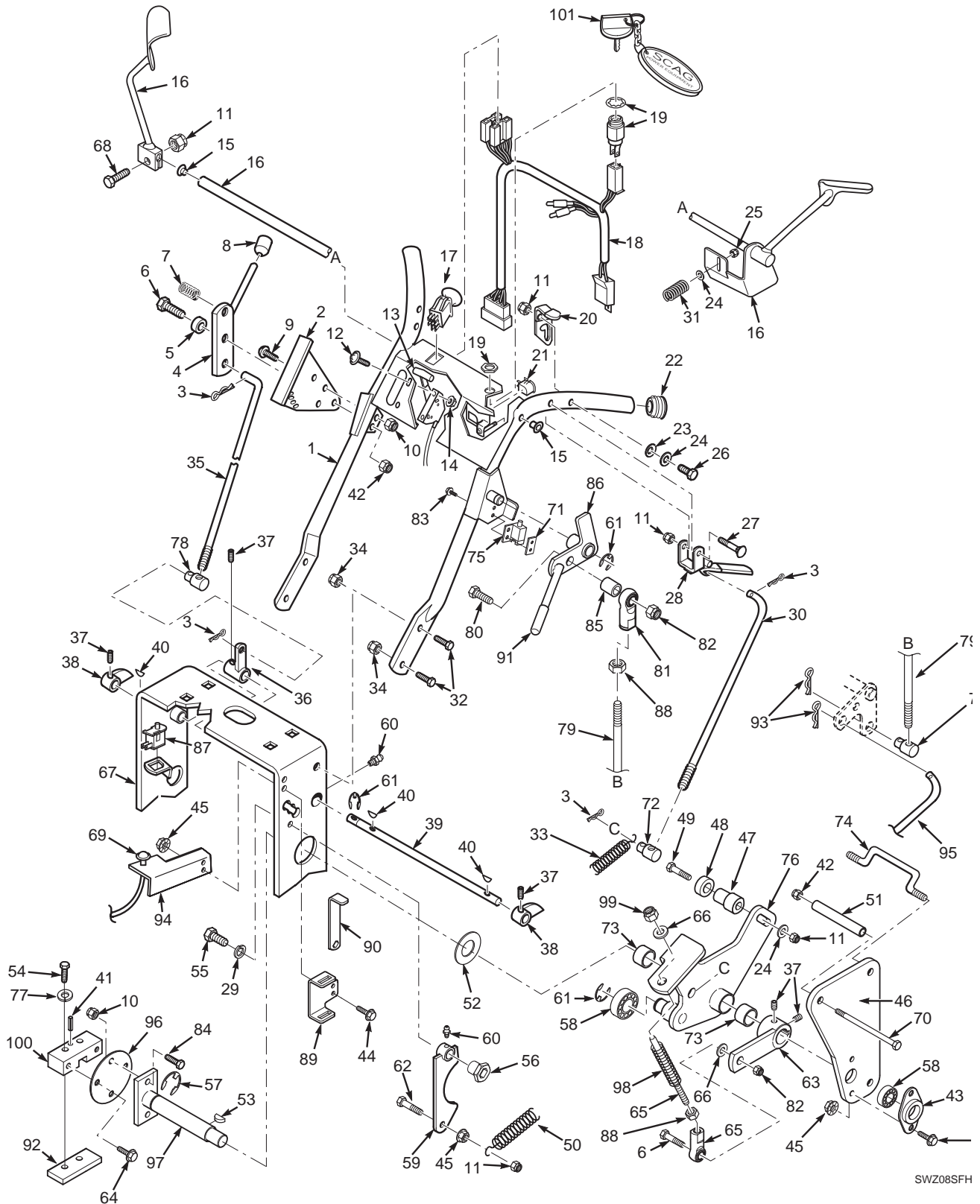


SWZ05D&BC

DRIVE AND BRAKE COMPONENTS

Ref. No.	Part No.	Description	16KAI	17KAI	19KAI	21KAE
1	481876	Ring, Split	X	X	X	X
2	04001-19	Bolt, 3/8-16 x 1" Hex Head	X	X	X	X
3	45842	Brake Shaft Assembly Weldment, 16" Small Frame	X	X	X	
3A	45854	Brake Shaft Assembly Weldment, 20" Large Frame			X	X
4	04062-01	Hair Pin Cotter, .094 x 1.62	X	X	X	X
5	04003-12	Carrage Bolt, 5/16-18 x .75"	X	X	X	X
6	44126	Rod, Brake Lower	X	X	X	X
7	04019-04	Nut, 3/8-16 Serr. Flange	X	X	X	X
8	43415	Bushing, Brake	X	X	X	X
9	48114-05	Grease Fitting	X	X	X	X
10	45860	Brake Actuator Weldment-LH	X	X	X	X
10A	45861	Brake Actuator Weldment-RH	X	X	X	X
11	04001-46	Bolt, 3/8-16 x 2-1/4"	X	X	X	X
12	481618	Tire, 16 x 6.50, 4 ply	X	X	X	X
13	481890	Rim Assy	X	X	X	X
14	422214	Lock Washer, Wheel Motor	X	X	X	X
15	48679	Hex Castle Nut, 3/4-28 UNEF	X	X	X	X
16	04028-02	Nut, Lug	X	X	X	X
17	481502	Wheel Assy., (incl. 12,13)	X	X	X	X
18	422215	Brake Drum	X	X	X	X
19	04008-01	1/2-20 Serrated Bolt	X	X	X	X
20	46928	Hub, Wheel	X	X	X	X
21	481470	Brake Band, 7.5"	X	X	X	X
22	04063-07	Key, 3/16 X .75 Woodruff	X	X	X	X
23	481416	Wheel Motor	X	X	X	X
24	48553	Belt, Pump Drive, 16" Small Frame	X	X	X	
24A	48587	Belt, Pump Drive, 20" Large Frame			X	X
25	461397	Electric Clutch	X	X	X	X
26	04041-28	Flat Washer .469 x 1.75 x .25	X	X	X	X
27	04030-05	Lock Washer, 7/16"	X	X	X	X
28	04102-05	Hex Head Bolt, 7/16-20 x 2-3/4"	X	X	X	X
29	422534	Plate, Backing	X	X	X	X
30	48030-09	Clamp	X	X	X	X
31	04021-10	Nut, 5/16-18 Elastic Stop	X	X	X	X
32	481716	Rubber Pad, Clutch Stop	X	X	X	X
33	422533	Retainer, Clutch Stop	X	X	X	X
34	04001-12	Hex Head Bolt, 5/16-18 x 1.75"	X	X	X	X
35	482755	Pulley, Pump Drive Engine	X	X	X	X
36	04001-13	Hex Head Bolt, 5/16-18 x 2.75"	X	X	X	X
37	04021-05	Nut, 3/8-16 Center Lock	X	X	X	X
38	48224	Ball Bearings	X	X	X	X
39	461783	Idler Arm Weldment, Pump (incl. 38)	X	X	X	X
40	04001-172	Bolt, Hex Head 1/4-20 x 1" Grd 8	X	X	X	X
41	481835	Spring, Pump Belt Idler	X	X	X	X
42	04019-03	Nut, 5/16-18 Serr. Flange	X	X	X	X
43	04050-02	Retaining Ring, 3/4" Ext. "E"	X	X	X	X
44	04063-29	Key, 1/4x1/4 x 3.75"	X	X	X	X
45	04041-07	Flat Washer, 3/8"	X	X	X	X
46	483213	Pulley, Idler 4.5"	X	X	X	X
47	482649	Pulley, Pump Shaft	X	X	X	X
48	482085	Tapered Hub	X	X	X	X
49	04030-04	Lockwasher, 3/8"	X	X	X	X
50	04063-14	Key, 5.0 x 5.0 x 25mm	X	X	X	X
51	43504	Pivot, Idler (Long)	X	X	X	X
52	43032	Swivel Joint	X	X	X	X
53	422713	Base, Idler Pivot	X	X	X	X
54	04001-54	Bolt, Hex Head 3/8-16 x 3"	X	X	X	X
55	04001-161	Bolt, Hex Head 3/8-16 x 2.75"	X	X	X	X
56	04043-04	Flatwasher 3/8"	X	X	X	X
57	481873	Chain	X	X	X	X
58	04001-59	Bolt, Hex Head 1/4-20 x 1.25"	X	X	X	X
59	04021-09	Nut, Hex Elastic Stop 3/8-16	X	X	X	X
60	04019-02	Nut, Serrated Flange 1/4-20	X	X	X	X
61	04001-151	Bolt, Hex Head 3/8-16 x 2.63"	X	X	X	X

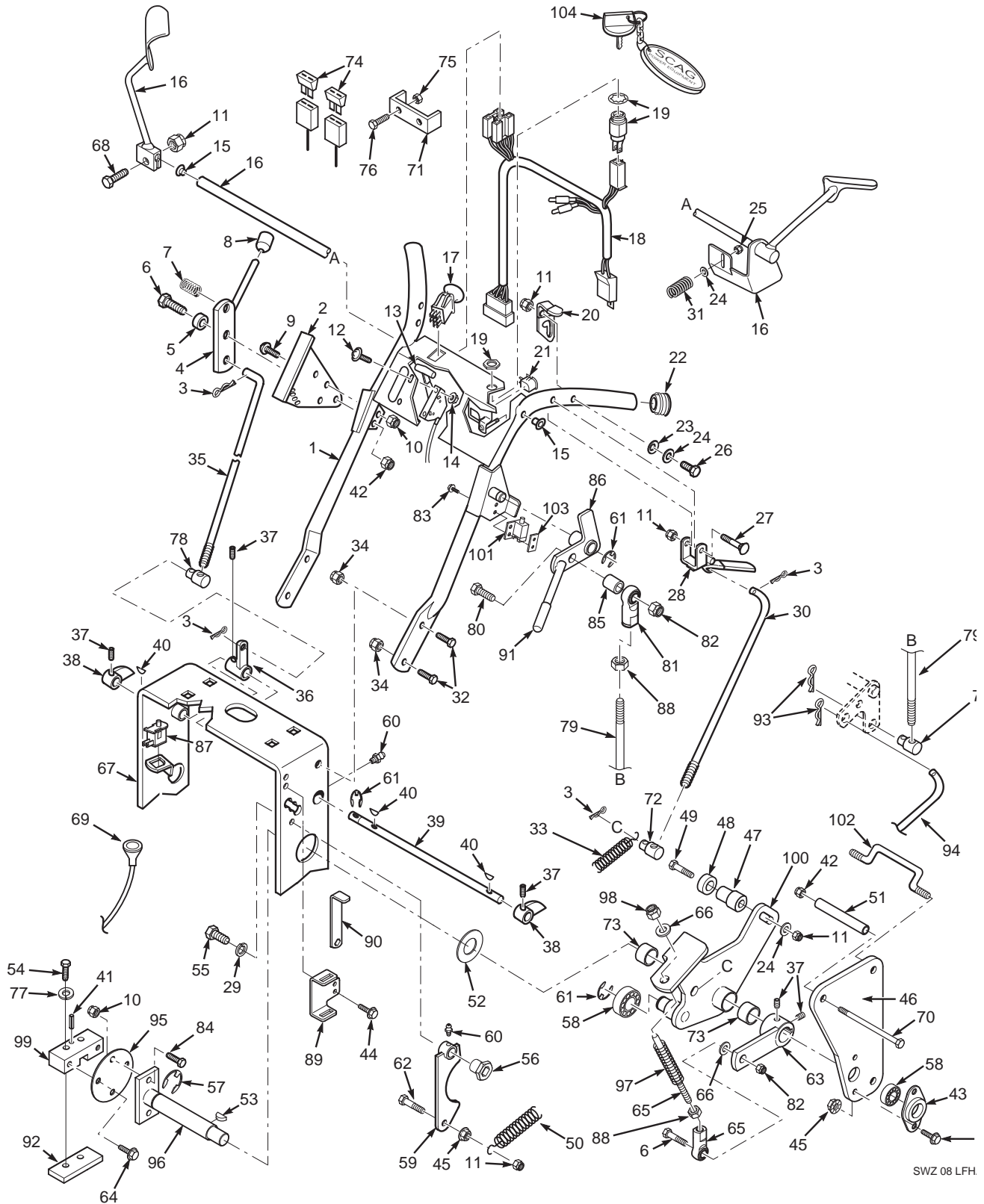
HANDLE ASSEMBLY - 16" SMALL FRAME



HANDLE ASSEMBLY - 16" SMALL FRAME

Ref. No.	Part No.	Description	Ref. No.	Part No.	Description
1	461976	Upper Handle W/mt. W/Decals	53	04063-07	Key, Woodruff, 3/16 x .75
2	42675	Quadrant, Speed Control	54	04001-59	Bolt, Hex Head, 1/4-20 x 1.25"
3	04062-02	Hairpin, .094 x 1.19	55	04001-19	Bolt, Hex Head, 3/8-16 x 1"
4	45282	Lever, Speed Adjustment	56	43415	Bushing, Brake
5	43086	Bushing, Speed Adjustment Lever	57	04050-02	Clip, Retaining .750 diameter
6	04001-20	Hex Head Bolt, 3/8-16 x 1.5"	58	48224	Bearing, Ball Neutral Return
7	48493-01	Ball Plunger	59	46747	Cam, Neutral (incl. grease ftng.)
8	48092	Knob, Speed Adjustment	60	48114-05	Grease Fitting, 1/4-28 UNF
9	04014-01	Capscrew, 1/4-20 x 3/4" FHHS	61	04050-01	Retaining Ring, 5/8"
10	04021-08	Nut, 1/4-20 Elastic Stop	62	04001-09	Hex Head Bolt, 5/16-18 x 1"
11	04021-10	Nut, 5/16-18 Elastic Stop	63	483414	Lever, Speed Control
12	04010-01	Screw, #10-32 x 1/2" PW HD	64	04017-05	Bolt, Hex Head 1/4-20 x .75"
13	48946	Throttle Control	65	482431	Linkage Assembly
14	04019-01	Nut, #10-32 Serr. Flange	66	04041-07	Flat Wshr., 15/16 x .3906 x 12 ga
15	483142	Bushing	67	461745	Deck, Engine 16" Wide
16	451917	Handle, Oper. Presence-RH	68	04001-10	Hex Head Bolt, 5/16-18 x 1.25"
	451915	Handle, Oper. Presence-LH	69	482314	Choke Control
17	483957	Switch, Electric Clutch Engage	70	04001-152	Bolt, Hex Head 3/8-16 x 4.25"
18	482686	Wire Harness, Manual Start	71	422373	Plate, Threaded
19	48609	Key Switch, Manual Srt. (inc. Hdw)	72	43520	Swivel Joint, Steering Rod
20	461242	Neutral Latch-RH	73	48100-06	Bushing
	461241	Neutral Latch-LH	74	44144	Rod, Offset
21	48717	Switch, Neutral Interlock	75	481545	Switch, Parking Brake
22	483161	Plug, Handlebar	76	461964	Control, LH (inc. bush. & decal)
23	04032-01	Washer, Curved Spring		461965	Control, RH (inc. bush. & decal)
24	04040-15	Flat Washer	77	04030-02	Lockwasher, 1/4"
25	04021-10	Nut, 5/16-18 Elastic Stop	78	43032	Swivel Joint
26	04001-17	Hex Head Bolt, 5/16-18 x 2"	79	44143	Rod, Brake Lever
27	04001-53	Hex Hd. Bolt, 5/16-18 x 2.5"	80	04001-45	Hex Hd. Bolt, 3/8-16 x 2"
28	483160	Lever, Steering Control	81	48464	Ball Joint, RH Thread
29	04030-04	Lockwasher, 3/8 Spring	82	04021-09	Nut, 3/8-16 Elastic Stop
30	44141	Rod, Steering Control	83	04010-12	Screw #10-32 Slt'd Hex Wshr Hd
31	483040	Spring, Operator Presence	84	04001-01	Bolt, 1/4-20 x .75"
32	04017-27	Capscrew, 3/8-16 x 1" Ser. Flange	85	43286	Spacer
33	483470	Spring	86	461605	Parking Brake Lever with Grip
34	04019-04	Nut, 3/8-16 Serr. Flange	87	48717	Switch, Safety
35	44142	Rod Speed Control	88	04020-14	Nut, 3/8-24
36	451562	Bellcrank, Speed Control	89	423876	Mounting Bracket, Wrench
37	04012-02	Setscrew, 1/4-28 x .25"	90	423875	Wrench
38	46335	Cam, Speed Control (incl. 37)	91	48342	Grip, Parking Brake
39	43166	Jackshaft, Speed Control	92	421203	Plate, Threaded
40	04063-13	Key, 1/8 x 1/2" Woodruff	93	04062-01	Hairpin, .094 x 1.62"
41	04060-06	Roll Pin, 3/16-.75	94	424113	Bracket, Choke Mtg.
42	04021-10	Nut, Elastic Stop 3/8-16	95	44126	Rod, Lower Brake
43	48223	Flange, Bearing	96	422273	Plate, Coupler
44	04017-17	Capscrew, 5/16-18 x 1" Serr. Flg.	97	451113	Shaft, Pump Control
45	04019-03	Nut, 5/16-18 Serrated Flange	98	481879	Spring
46	422795	Plate, Side	99	04021-09	Nut, 3/8-16 Elastic Stop
47	43536	Spacer, Neutral Bearing	100	48829	Block, Pump Control
48	48409	Bearing, Speed Ctrl. Bellcrank	101	462069	Key Chain with Keys
49	04001-69	Hex Head Bolt, 5/16-18 x 1-3/4"		483609	Key with Shroud
50	48494-02	Spring, Return			
51	43522	Spacer, Side Plate			
52	04041-08	Flatwasher, .766 x 1.25 x .035			

HANDLE ASSEMBLY - 20" LARGE FRAME

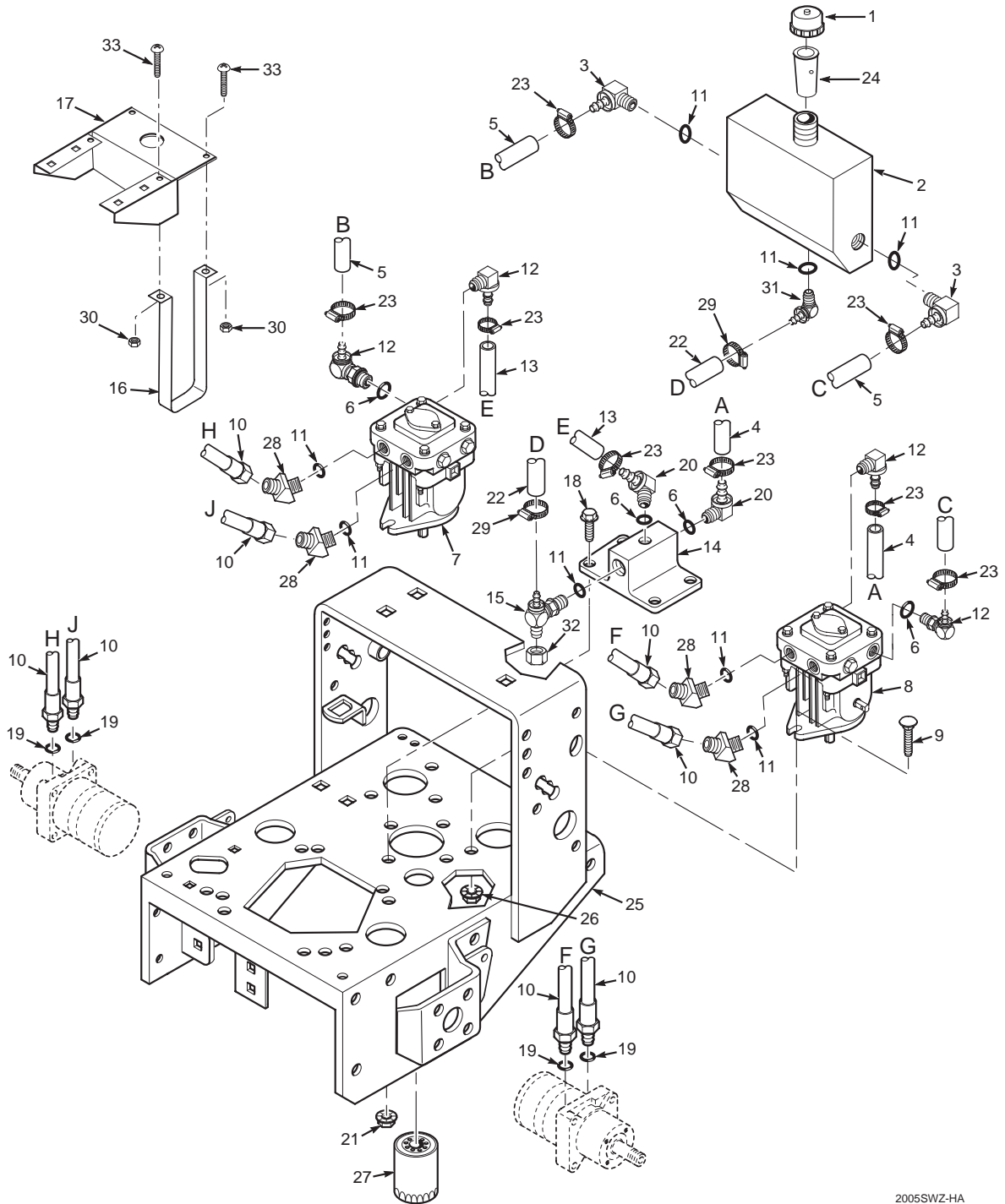


SWZ 08 LFH

HANDLE ASSEMBLY - 20" LARGE FRAME

Ref. No.	Part No.	Description	Ref. No.	Part No.	Description
1	461977	Upper Handle W/mt. W/Decals	53	04063-07	Key, Woodruff, 3/16 x .75
2	42675	Quadrant, Speed Control	54	04001-59	Bolt, Hex Head, 1/4-20 x 1.25"
3	04062-02	Hairpin, .094 x 1.19	55	04001-19	Bolt, Hex Head, 3/8-16 x 1"
4	45282	Lever, Speed Adjustment	56	43415	Bushing, Brake
5	43086	Bushing, Speed Adjustment Lever	57	04050-02	Clip, Retaining .750 diameter
6	04001-20	Hex Head Bolt, 3/8-16 x 1.5"	58	48224	Bearing, Ball Neutral Return
7	48493-01	Ball Plunger	59	46747	Cam, Neutral (incl. grease ftng.)
8	48092	Knob, Speed Adjustment	60	48114-05	Grease Fitting, 1/4-28 UNF
9	04014-01	Capscrew, 1/4-20 x 3/4" FHHS	61	04050-01	Retaining Ring, 5/8"
10	04021-08	Nut, 1/4-20 Elastic Stop	62	04001-09	Hex Head Bolt, 5/16-18 x 1"
11	04021-10	Nut, 5/16-18 Elastic Stop	63	483414	Lever, Speed Control
12	04010-01	Screw, #10-32 x 1/2" PW HD	64	04017-05	Bolt, Hex Head 1/4-20 x .75"
13	48946	Throttle Control	65	482431	Linkage Assembly
14	04019-01	Nut, #10-32 Serr. Flange	66	04041-07	Flat Wshr., 15/16 x .3906 x 12 ga
15	483142	Bushing	67	461748	Deck, Engine 20" Wide
16	451917	Handle, Oper. Presence-RH	68	04001-10	Hex Head Bolt, 5/16-18 x 1.25"
	451916	Handle, Oper. Presence-LH	69	482314	Choke Control
17	483957	Switch, Electric Clutch Engage	70	04001-152	Bolt, Hex Head 3/8-16 x 4.25"
18	482686	Wire Harness, Manual Start	71	42413	Fuse Holder - 21KAE
	482687	Wire Harness, Electric Start	72	43520	Swivel Joint, Steering Rod
19	48609	Key Switch, Manual Srt. (inc. Hdw)	73	48100-06	Bushing
	48798	Key Switch, Electric Srt. (inc. Hdw)	74	48298	Blade Fuse, 20A - 21KAE
20	461242	Neutral Latch-RH	75	04021-01	Nut, #10-32 Elastic Stop - 21KAE
	461241	Neutral Latch-LH	76	04010-03	Screw, #10-32 x 1.5" Phillips - 21KAE
21	48717	Switch, Neutral Interlock	77	04030-02	Lockwasher, 1/4"
22	483161	Plug, Handlebar	78	43032	Swivel Joint
23	04032-01	Washer, Curved Spring	79	44143	Rod, Brake Lever
24	04040-15	Flat Washer	80	04001-45	Hex Hd. Bolt, 3/8-16 x 2"
25	04021-10	Nut, 5/16-18 Elastic Stop	81	48464	Ball Joint, RH Thread
26	04001-17	Hex Head Bolt, 5/16-18 x 2"	82	04021-09	Nut, 3/8-16 Elastic Stop
27	04001-53	Hex Hd. Bolt, 5/16-18 x 2.5"	83	04010-12	Screw #10-32 Slt'd Hex Wshr Hd
28	483160	Lever, Steering Control	84	04001-01	Bolt, 1/4-20 x .75"
29	04030-04	Lockwasher, 3/8 Spring	85	43286	Spacer
30	44141	Rod, Steering Control	86	461605	Parking Brake Lever with Grip
31	483040	Spring, Operator Presence	87	48717	Switch, Safety
32	04017-27	Capscrew, 3/8-16 x 1" Ser. Flange	88	04020-14	Nut, 3/8-24
33	483470	Spring	89	423876	Mounting Bracket, Wrench
34	04019-04	Nut, 3/8-16 Serr. Flange	90	423875	Wrench
35	44142	Rod Speed Control	91	48342	Grip, Parking Brake
36	451562	Bellcrank, Speed Control	92	421203	Plate, Threaded
37	04012-02	Setscrew, 1/4-28 x .25"	93	04062-01	Hairpin, .094 x 1.62"
38	46335	Cam, Speed Control (incl. 37)	94	44126	Rod, Lower Brake
39	43155	Jackshaft, Speed Control	95	422273	Plate, Coupler
40	04063-13	Key, 1/8 x 1/2" Woodruff	96	451113	Shaft, Pump Control
41	04060-06	Roll Pin, 3/16-.75	97	481879	Spring
42	04021-10	Nut, Elastic Stop 3/8-16	98	04021-09	Nut, 3/8-16 Elastic Stop
43	48223	Flange, Bearing	99	48829	Block, Pump Control
44	04017-17	Capscrew, 5/16-18 x 1" Serr. Flg.	100	461964	Control, LH (inc. bush. & decal)
45	04019-03	Nut, 5/16-18 Serrated Flange		461965	Control, RH (inc. bush. & decal)
46	422795	Plate, Side	101	481545	Switch, Parking Brake
47	43536	Spacer, Neutral Bearing	102	44144	Rod, Offset
48	48409	Bearing, Speed Ctrl. Bellcrank	103	422373	Plate, Threaded
49	04001-69	Hex Head Bolt, 5/16-18 x 1-3/4"	104	462069	Key Chain with Keys
50	48494-02	Spring, Return		483609	Key with Shroud
51	43522	Spacer, Side Plate			
52	04041-08	Flatwasher, .766 x 1.25 x .035			

HYDRAULIC ASSEMBLY

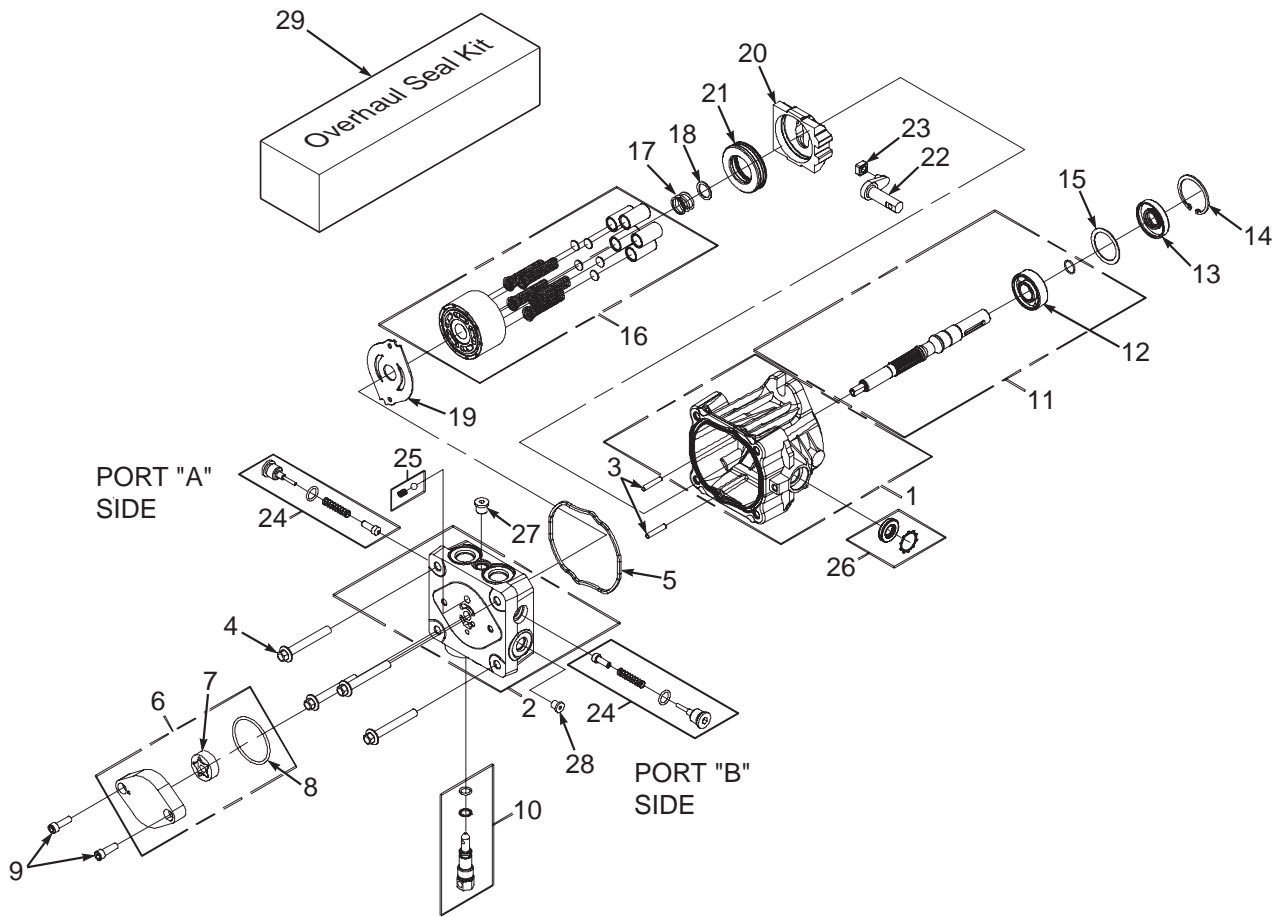


2006SWZ-HA

HYDRAULIC ASSEMBLY

Ref. No.	Part No.	Description
1	481164	Cap, Oil Reservoir
2	461428	Oil Reservoir (With Fittings)
3	482266-01	Elbow, 9/16 O-Ring x 3/8" Hose
4	48811	Hose, 3/8" ID - 10-1/4" Long (Order By The Inch)
5	48811	Hose, 3/8" ID - 7" Long (Order By The Inch)
6	48603-06	O-Ring
7	483097	Pump, PG-1JQQ-DY1X-XXXX (R.H.)
8	483098	Pump, PG-1GQQ-DY1X-XXXX (L.H.)
9	04003-11	Bolt, Carriage, 3/8-16 x 1.25"
10	481265	Hose, Pump to Wheel Motor
11	48603-02	O-Ring
12	482266-03	Elbow, 7/16-20 O-Ring x 3/8" Hose
13	48811	Hose, 3/8" ID - 11" Long (Order By The Inch)
14	482417	Oil Filter Base
15	482477	Tee, 3/8 O-Ring x JIC x 1/2" Hose
16	422794	Strap, Hydraulic Tank
17	422793	Bracket, Hydraulic Tank
18	04017-16	Capscrew, 5/16-18 x .75" Serr. Flange
19	48603-04	O-Ring
20	482266-01	Elbow, 9/16 O-Ring x 3/8" Hose
21	04019-03	Nut, 5/16-18 Serr. Flange
22	482305	Hose, Formed 1/2" ID
23	48136-13	Clamp, .69 max dia.
24	481507	Tube, Filler Neck
25	461745	Engine Deck (16" Wide) with Decals - Small Frame
	461748	Engine Deck (20" Wide) with Decals - Large Frame
26	04019-04	Nut, 3/8-16 Serr. Flange
27	48462-01	Oil Filter
28	48485-01	Elbow, 45 Deg.-3/4-16 JIC Male x Male 3/4-16 O-Ring
29	48136-05	Clamp, .87 max di.
30	04021-08	Nut, 1/4-20
31	482202	Elbow, 3/4-16 O-Ring x 1/2" Hose
32	48571-02	Cap, 3/4-16
33	04010-10	Screw, 1/4-20 x 2.0" Round Head Phillips

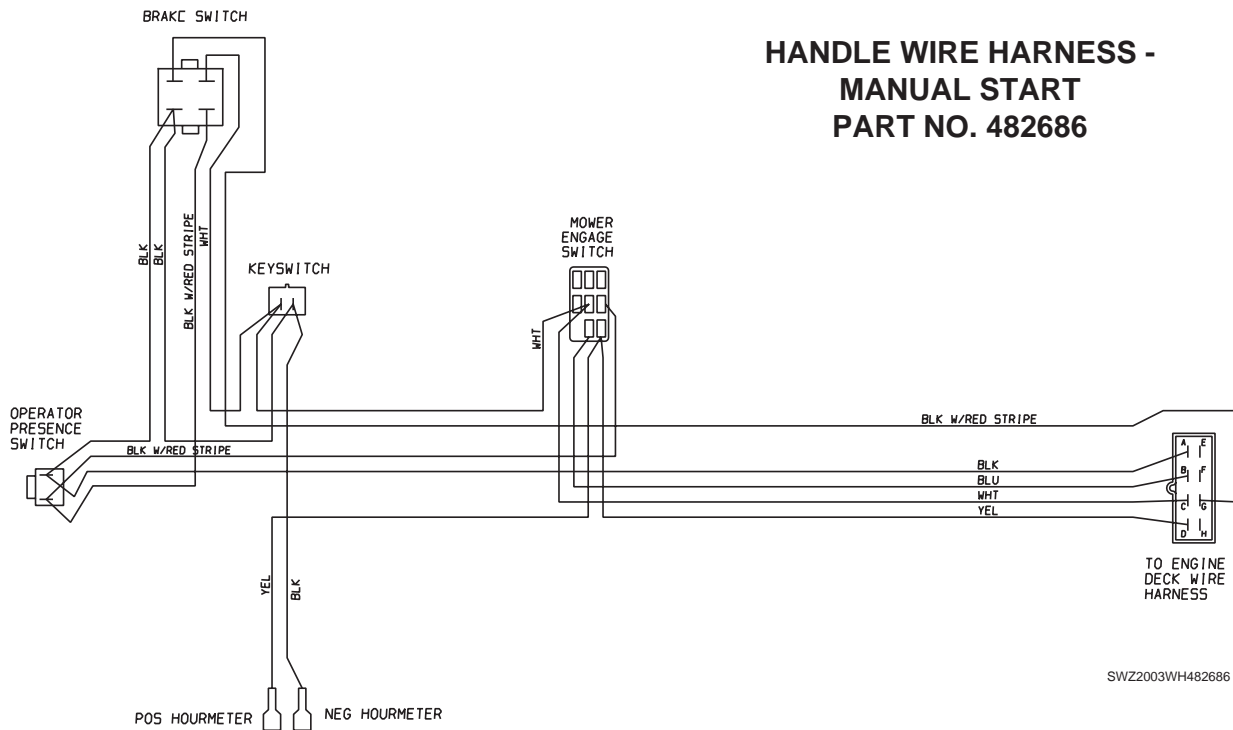
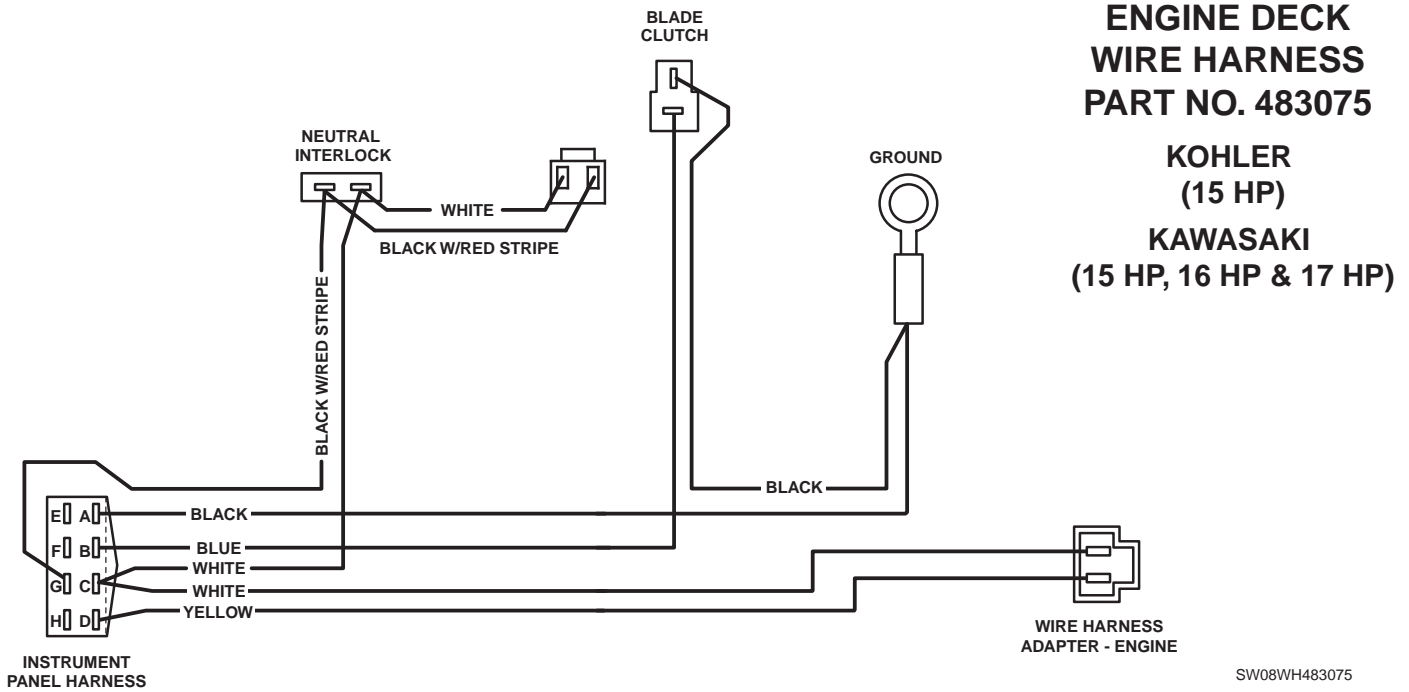
HYDRAULIC PUMP ASSEMBLY



HYDRAULIC PUMP ASSEMBLY

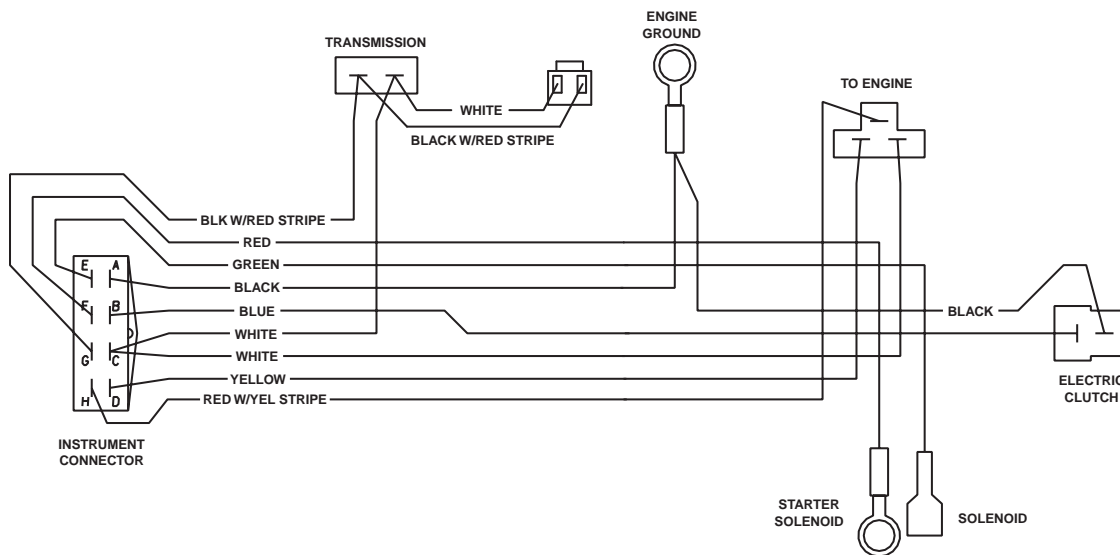
Ref. No.	Part No.	Description
1	HG 70516	Housing Kit
2	HG 70573	End Cap Kit
3	HG 50641	Straight Headless Pin
4	HG 50969	Hex Flange Bolt, M8-1.25 x 60mm
5	HG 51232	Housing O-Ring
6	HG 2513027	Charge Pump Kit
7	HG 50273	Gerotor Assembly
8	HG 9004101-1340	O-Ring
9	HG 50095	Socket Head Screw, M6 x 1.0-20mm
10	HG 2513030	Bypass Valve Kit
11	HG 70521	Pumpshaft Kit
12	HG 50315	Ball Bearing, 17 x 40 x 12
13	HG 51161	Lip Seal
14	HG 50329	Retaining Ring
15	HG 50951	Spacer
16	HG 70331	Cylinder Block Kit
17	HG 2003014	Block Spring
18	HG 2003017	Block Thrust Washer
19	HG 51444	Valve Plate
20	HG 2003087	Swash Plate
21	HG 50551	Ball Thrust Bearing
22	HG 2003005	Trunnion Arm
23	HG 2000015	Slot Guide
24	HG 2510062	Check Valve Kit (.024" Orifice) port "A" on Left Hand Pump, port "B" on Right Hand Pump
25	HG 70403	Charge Relief Kit
26	HG 2513043	Trunnion Seal with Retainer
27	HG 9005110-4400	Straight Thread Plug
28	HG 50408	Straight Headless Pin
29	HG 70525	Overhaul Seal Kit

WIRE HARNESSSES

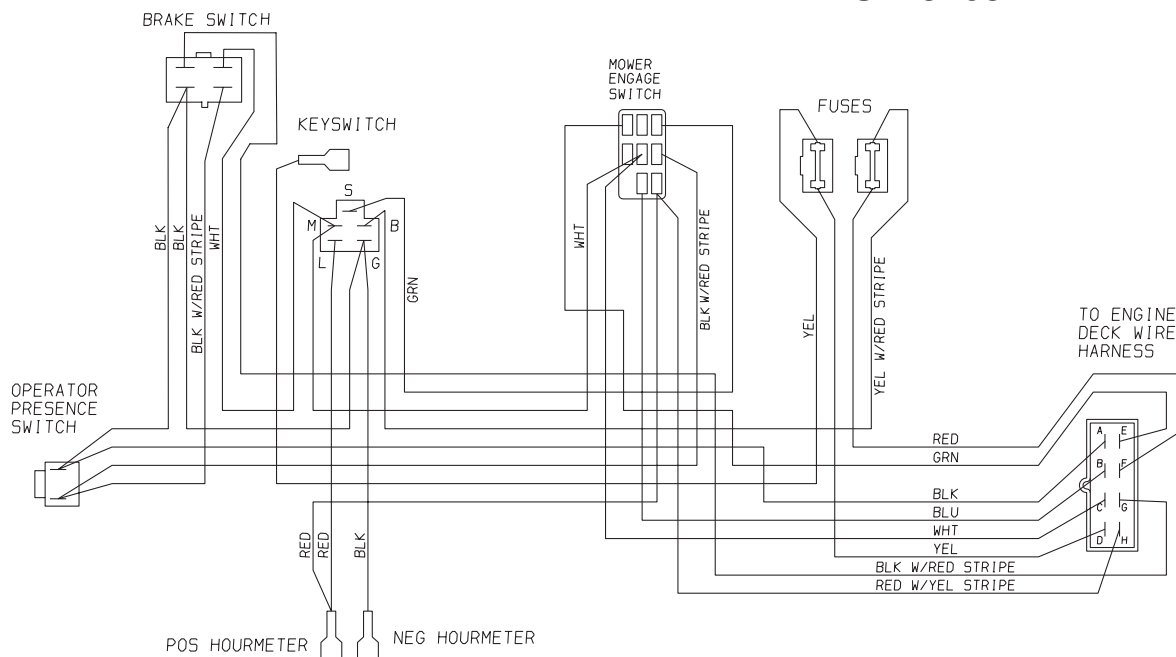


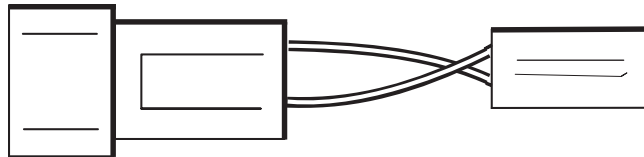
WIRE HARNESSSES

ENGINE DECK WIRING HARNESS KAWASAKI ELECTRIC START PART NUMBER: 483076



HANDLE WIRING HARNESS KAWASAKI ELECTRIC START PART NO. 482687



WIRE HARNESSSES**WIRE HARNESS ADAPTER****PART NO. 481717****KAWASAKI****(15 HP, 16 HP & 17 HP)**

SW2006WH481717

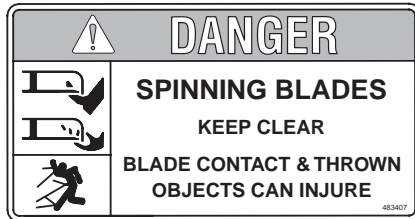
REPLACEMENT DECALS AND INFORMATION PLATES



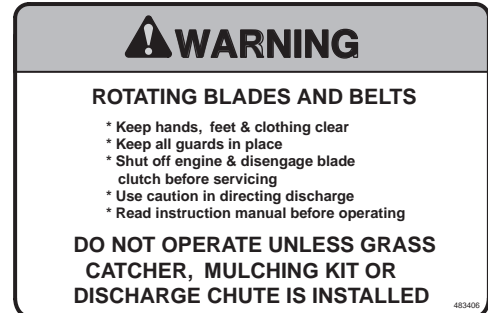
1



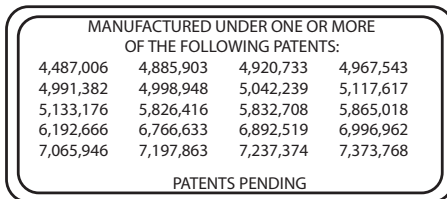
2



3



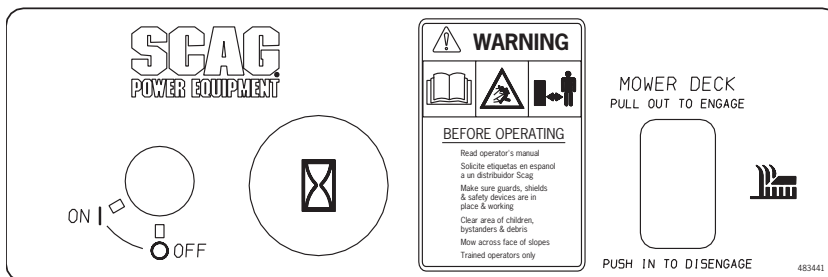
4



5



6



7

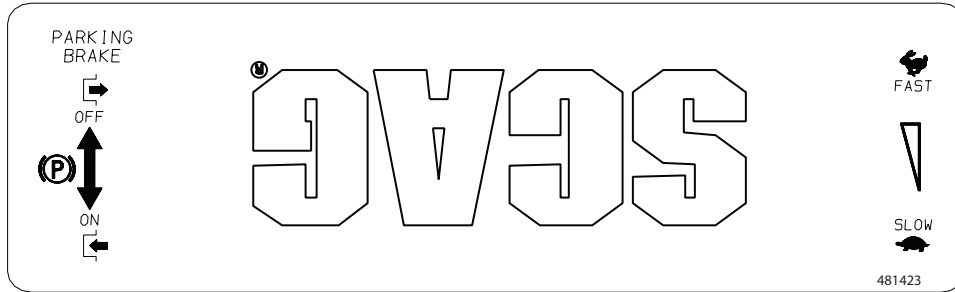


8

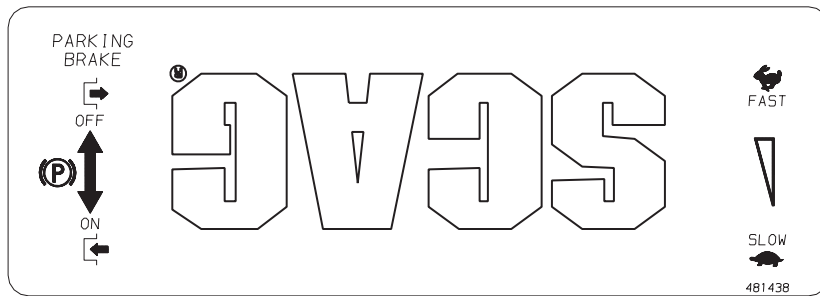


9

REPLACEMENT DECALS AND INFORMATION PLATES



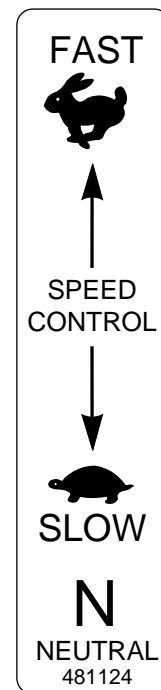
10



11



12



15



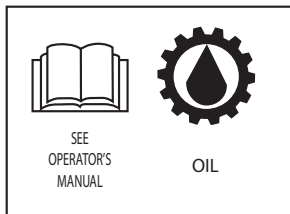
13



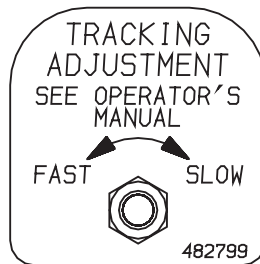
14

REPLACEMENT DECALS AND INFORMATION PLATES

Ref. No.	Part No.	Description
1	483405	Decal, Discharge Chute
2	48314	Decal, Scag Logo
3	483407	Decal, Danger-Spinning Blades
4	483406	Decal, Warning-Rotating Blades
5	483044	Decal, Patents
6	48404	Decal, Metalcraft - Made in USA
7	483441	Decal, Instrument Panel - Rear
8	483404	Decal, Sulky Attachment
9	483402	Decal, Belt Cover
10	481423	Decal, Instrument Panel - Front (SWZ-19KAI & SWZ-21KAE only)
11	481483	Decal, Instrument Panel - Front
12	482297	Decal, 36 Advantage
13	483199	Decal, 48 Velocity Plus
	483200	Decal, 52 Velocity Plus
	483201	Decal, 61 Velocity Plus
14	481971	Decal, Heavy Duty Commercial
15	481124	Decal, Speed Control
16	481942	Decal, Scag Zero Turn
17	481425	Decal, Oil
18	482799	Decal, Tracking Adjustment
19	482816	Decal, Height of Cut
**	461986	Spanish Decal Kit, Walk-Behinds (Not Shown)



17



18

482816 **CUTTING HEIGHT ADJUSTMENT**
 DECK MOUNTING HOLE POSITION
 NUMBER OF CASTER SPACERS (BELOW SUPPORT)

	NUMBER OF SPACERS ABOVE CUTTER BLADES						
	0	1	2	3	4	5	
TOP	0	-	-	2-3/8	2-1/8	1-7/8	1-5/8
MIDDLE	0	-	-	2-5/8	2-3/8	2-1/8	1-7/8
MIDDLE	1	-	-	2-3/4	2-1/2	2-1/4	2
BOTTOM	2	-	-	-	-	2-7/8	2-5/8
BOTTOM	3	-	4	3-3/4	3-1/2	3-1/4	3
BOTTOM	4	4-3/8	4-1/8	3-7/8	3-5/8	3-3/8	3-1/8

19



16

LIMITED WARRANTY - COMMERCIAL EQUIPMENT

Any part of the Scag commercial mower manufactured by Scag Power Equipment and found, in the reasonable judgment of Scag, to be defective in materials or workmanship, will be repaired or replaced by an Authorized Scag Service Dealer without charge for parts and labor during the periods specified below. This warranty is limited to the original purchaser and is not transferable. Proof of purchase will be required by the dealer to substantiate any warranty claims. All warranty work must be performed by an Authorized Scag Service Dealer.

This warranty is limited to the following specified periods from the date of the original retail purchase for defects in materials or workmanship:

- Wear items including drive belts, blades, hydraulic hoses and tires are warranted for ninety (90) days.
- Batteries are covered for ninety (90) days.
- Frame and structural components including oil reservoir and oil coolers are warranted for 2 years (Parts and labor).
- Cutter decks are warranted against cracking for a period of three (3) years. (Parts and labor 1st and 2nd year; Parts only 3rd year.) The repair or replacement of the cutter deck will be at the option of Scag Power Equipment. We reserve the right to request components for evaluation. This warranty does not cover any mower that has been subject to misuse, neglect, negligence, or accident, or that has been operated in any way contrary to the operating instructions as specified in the Operator's Manual.
- Engines and electric starters are covered by the engine manufacturer's warranty period.
- Major drive system components are warranted for two (2) years by Scag Power Equipment. (Parts and labor) (Two year warranty exclude fittings, hoses, drive belts). The repair or replacement of the hydraulic pump or hydraulic motor will be at the option of Scag Power Equipment. This warranty does not cover any mower that has been subject to misuse, neglect, negligence, or accident, or that has been operated in any way contrary to the operating instructions as specified in the Operator's Manual.
- Electric clutches have a Limited Warranty for 2 year (Parts and labor).
- Spindle assemblies have a Limited Warranty for three years (Parts and labor 1st year and 2nd; Parts only 3rd year).
- Any Scag product used for rental purposes is covered by a 90 day warranty.

The Scag mower, including any defective part must be returned to an Authorized Scag Service Dealer within the warranty period. The expense of delivering the mower to the dealer for warranty work and the expense of returning it to the owner after repair will be paid for by the owner. Scag's responsibility is limited to making the required repairs and no claim of breach of warranty shall be cause for cancellation or rescission of the contract of sale of any Scag mower.

This warranty does not cover any mower that has been subject to misuse, neglect, negligence, or accident, or that has been operated in any way contrary to the operating instructions as specified in the Operator's Manual.

The warranty does not apply to any damage to the mower that is the result of improper maintenance, or to any mower or parts that have not been assembled or installed as specified in the Operator's Manual and Assembly Manual. The warranty does not cover any mower that has been altered or modified, changing performance or durability. In addition, the warranty does not extend to repairs made necessary by normal wear, or by the use of parts or accessories which, in the reasonable judgment of Scag, are either incompatible with the Scag mower or adversely affect its operation, performance or durability.

Scag Power Equipment reserves the right to change or improve the design of any mower without assuming any obligation to modify any mower previously manufactured. All other implied warranties are limited in duration to the two (2) year warranty period or ninety (90) days for mowers used for rental purpose. Accordingly, any such implied warranties including merchantability, fitness for a particular purpose, or otherwise, are disclaimed in their entirety after the expiration of the appropriate two year or ninety day warranty period. Scag's obligation under this warranty is strictly and exclusively limited to the repair or replacement of defective parts and Scag does not assume or authorize anyone to assume for them any other obligation. Some states do not allow limitations on how long an implied warranty lasts, so the above limitation may not apply to you.

Scag assumes no responsibility for incidental, consequential or other damages including, but not limited to, expense for gasoline, expense of delivering the mower to an Authorized Scag Service Dealer and expense of returning it to the owner, mechanic's travel time, telephone or telegram charges, rental of a like product during the time warranty repairs are being performed, travel, loss or damage to personal property, loss of revenue, loss of use of the mower, loss of time or inconvenience. Some states do not allow the exclusion or limitation of incidental or consequential damages, so the above limitation or exclusion may not apply to you. This warranty gives you specific legal rights, and you may also have other rights which vary from state to state.

GARANTÍA LIMITADA - EQUIPO COMERCIAL

Toda pieza del cortacésped comercial Scag fabricada por Scag Power Equipment que, según criterio razonable de Scag, presente materiales o mano de obra defectuosos será reparada o reemplazada por un distribuidor autorizado Scag sin cargo por las piezas ni mano de obra durante los períodos especificados abajo. Esta garantía se limita al comprador original y no es transferible. Para acceder a cualquier reclamo de garantía, el distribuidor requerirá el comprobante de compra. Todo trabajo bajo garantía debe realizarlo un distribuidor autorizado Scag.

Con respecto a materiales o mano de obra defectuosos, esta garantía se limita a los siguientes períodos especificados a partir de la fecha de compra original:

- * Los artículos desgastables, incluyendo correas de transmisión, cuchillas, mangueras hidráulicas y llantas, están garantizados por noventa (90) días.
- * Las baterías están garantizadas por noventa (90) días.
- * El bastidor y los componentes estructurales, incluyendo el depósito de aceite y los enfriadores de aceite, tienen una garantía de 2 años (Piezas y mano de obra).
- * Las plataformas de corte están garantizadas contra grietas por un período de tres (3) años. (Piezas y mano de obra, primer y segundo año; piezas solamente, tercer año). La reparación o el reemplazo de la plataforma de corte estarán sujetos a discreción de Scag Power Equipment. Nos reservamos el derecho de solicitar componentes para su evaluación. Esta garantía no cubre ningún cortacésped que haya sido sometido a uso indebido, descuido, negligencia o accidente, o que se haya operado de manera distinta a la especificada en el manual del operador.
- * Los motores eléctricos y los arrancadores están cubiertos por el período de garantía del fabricante de motor.
- * Los componentes principales del sistema de transmisión están garantizados por Scag Power Equipment por dos (2) años. (Piezas y mano de obra) (La garantía de dos años no incluye las conexiones, mangueras, las correas de transmisión). La reparación o el reemplazo de la bomba hidráulica o el motor hidráulico estarán sujetos a discreción de Scag Power Equipment. Esta garantía no cubre ningún cortacésped que haya sido sometido a uso indebido, descuido, negligencia o accidente, o que se haya operado de manera distinta a la especificada en el manual del operador.
- * Los embragues eléctricos tienen una Garantía limitada de 2 años (Piezas y mano de obra).
- * Los ensambles del eje tienen una Garantía limitada de 3 años (Piezas y mano de obra, primer y segundo año; piezas solamente, tercer año).
- * Cualquier producto Scag que se utilice para alquiler está cubierto por una garantía de 90 días.

El cortacésped Scag, incluida cualquier pieza defectuosa, debe ser llevado a un distribuidor autorizado de Scag dentro del período de garantía. Los gastos incurridos en la entrega del cortacésped al distribuidor para que se realice el trabajo bajo garantía, así como los gastos de devolución del cortacésped al propietario después de la reparación, estarán a cargo del propietario. La responsabilidad de Scag se limita a la realización de las reparaciones requeridas y ninguna reclamación por incumplimiento de las obligaciones de garantía será causa de cancelación o revocación del contrato de venta del cortacésped Scag.

Esta garantía no cubre ningún cortacésped que haya sido sometido a uso indebido, descuido, negligencia o accidente, o que se haya operado de manera distinta a la especificada en el manual del operador. La garantía no será de aplicación en ningún caso de daño ocasionado al cortacésped como consecuencia de mantenimiento inadecuado o a cualquier cortacésped o piezas que no se hayan ensamblado o instalado de acuerdo con las especificaciones del manual del operador o el manual de montaje. La garantía no cubre ningún cortacésped que haya sufrido alteraciones o modificaciones que hayan afectado su funcionamiento o durabilidad. Asimismo, la garantía no se extiende a reparaciones necesarias por el desgaste normal o por el uso de piezas o accesorios que, según criterio razonable de Scag, sean incompatibles con el cortacésped Scag o afecten la operación, funcionamiento o durabilidad de éste.

Scag Power Equipment se reserva el derecho de modificar o mejorar el diseño de cualquier cortacésped sin tener por ello obligación alguna de modificar cualquier cortacésped fabricado con anterioridad. Cualquier otra garantía implícita se limita a un período de garantía de dos (2) años o noventa (90) días en el caso de cortacéspedes destinados a alquiler. Por consiguiente, se rechaza en su totalidad cualquier garantía implícita, incluidas las garantías de comerciabilidad, adecuación para un fin determinado, o de otro tipo, después de la finalización del correspondiente período de garantía de dos años o noventa días. La obligación de Scag en virtud de la presente garantía se limita estricta y exclusivamente a la reparación o el reemplazo de piezas defectuosas, y Scag no asume ni autoriza a ningún otro a asumir en su lugar ninguna otra obligación. La limitación antes mencionada no será de aplicación en aquellos estados en los que no esté permitida la limitación del período de validez de una garantía implícita.

Scag no asume responsabilidad alguna por daños incidentales, consecuentes ni de cualquier otro tipo, incluyendo, pero sin limitarse a, gasto de gasolina, gasto de entrega del cortacésped a un distribuidor autorizado Scag y gasto de su devolución al propietario, tiempo de viaje del mecánico, cargos por comunicaciones telefónicas o telegramas, alquiler de un producto similar durante el período en que se llevan a cabo las reparaciones bajo garantía, viajes, pérdida o daño de bienes personales, lucro cesante, daños ocasionados por la pérdida del uso del cortacésped, daños por la pérdida de tiempo o cualquier otro inconveniente. La limitación o exclusión antes mencionada no será de aplicación en aquellos estados en los que no esté permitida la exclusión o limitación de daños incidentales o consecuentes. La presente garantía le otorga derechos legales específicos, aparte de los derechos de los que usted goza, según el estado.

Rango de velocidad hacia adelante:
0 a 7.4 mph (11.8 kph)
0 a 3.0 mph (4.8 kph)

PLATAFORMAS DE CORTE

Tipo: Diseño delantero con rodillos amortiguadores del corte rasante Velocity Plus SWM 52, Velocity Plus SWM 61
SWM 36 Advantage, SWM 48 Velocity Plus,
SWM36A, 48V: Acero calibre 7 con faldón calibre 7 (3/16")
SWM52V, 61V: Acero calibre 10 con faldón calibre 7 (3/16")
35.5" (90.2 cm), 48.0" (122.0 cm), 52.0" (132.0 cm),
61.0" (155.0 cm).
Ancho de corte: Ajustable desde 1-3/4" a 4-1/4" en incrementos de 1/4"
Marbain, .197 de grosor
SWM 36: Dos (2) 18"; SWM 48: Tres (3) 16.5"
SWM 52: Tres (3) 18"
Accionamiento de las cuchillas: Embrague eléctrico de freno de cuchilla con interruptor de panel de instrumentos
Abertura de descarga extra ancha con tolva de descarga articulada
Llantas macizas de 9 x 3.5 con flotación de la banda de rodadura
rodamientos de rodillos y retiro rápido del pin
Cuerpo fundido, rodamiento de rodillos cónicos, bajo mantenimiento
Ejes: suave,
Ruedas locas:
Abertura de descarga:
Polas del eje:
Polera guía:
Correas de la platформа de corte:

**ESPECIFICACIONES ADICIONALES
ARTÍCULOS/ACCESORIOS OPCIONALES**

Recogedor de césped de tela:
Recogedor de césped de metal:
Deflector turbo
Equipo mezclador de paja Hurricane:
El exclusivo sistema mezclador de paja Hurricane emplea las placas tipo "ojo de la tormenta" (eye of the hurricane) combinado con deflectores en V emperrados, directores de flujo, cuchillas eliminadoras y una placa de cierre de descarga lateral.
Permite al operador llevar en forma segura y práctica una bebida.
Sujetavaso:

DIMENSIONES APROXIMADAS

Longitud:	74.0"	74.0"	74.0"	74.0"
Longitud con el recogedor de césped:	74.0"	74"	74"	78.0"
Ancho de alineación:	37.0"	37.0"	37.0"	41.0"
Ancho:	47.0"	60.5"	64.5"	73.5"
Ancho (con la tolva de descarga arriba):	37.0"	49.0"	52"	62.0"
Ancho con recogedor de césped:	55.0"	69.0"	71"	80.0"
Altura:	40.5"	40.5"	40.5"	40.5"
Altura con recogedor de césped:	40.5"	40.5"	40.5"	40.5"
Peso:	515 lbs.	565 lbs.	585 lbs. *	717 lbs.
Peso con recogedor de césped:	555 lbs.	605 lbs.	625 lbs. *	757 lbs.
Radio de giro:	Cero	Cero	Cero	Cero

Fecha de publicación: Abril de 2007

Especificaciones sujetas a cambio sin previo aviso

* Bastidor grande = Ancho de alineación - 41.0"

Peso - 605 lbs.

Peso con recogedor de césped - 645 lbs.

ESPECIFICACIONES TÉCNICAS

SWZ36A-16KAI, SWZ48V-17KAI, SWZ52V-17KAI, SWZ52V-19KAI, SWZ-19KAI, SWZ-21KAE

MODELOS

MOTORES

Tipo general:
Marca / Modelos:

Industrial de servicio pesado/Comercial
Kawasaki FH480V (16HP), FH541V (17HP), FH580V (19HP), FH641V (21HP)

Potencia:

Kawasaki 16HP, 17HP, 19HP & 21HP

Tipo:

Motores de eje vertical, 4 ciclos, gasolina

Desplazamiento:

Kawasaki: 16HP=472cc, 17HP=585cc, 19HP=585cc, 21HP=675cc

Cilindros:

V-Twin

Controlador:

Controlador tipo mecánico con control de velocidad variable.

Ajustes:

Kawasaki 16HP, 17HP & 19HP = 3600 rpm (+/-100 rpm), marcha en vacío pesa a 1550 rpm (+/-150 rpm), 21HP = 3600 rpm (+/-75 rpm), marcha en vacío puesta a 550 rpm (+/-75 rpm)

Grupo de escape:

Silenciador de tubo de escape

Conjunto de bomba de combustible:

Consulte las especificaciones del fabricante

Conjunto de bomba de aceite:

Consulte las especificaciones del fabricante

Grupo de válvula:

Consulte las especificaciones del fabricante

Arrancador/Sistema eléctrico:

Encendido electrónico con arrancador de retroceso o batería de 12 voltios con alternador, encendido de estado sólido con llave de arranque

Variado - Consulte las especificaciones del fabricante

Sistema de carga:

PLATAFORMA DEL MOTOR

Espesor:

Acero calibre 7

Tanque de combustible:

Poliétileno sin costuras, 6 galones (19.0 litros) con sujetavaso.

Ruedas motrices/Lantas:

6x6, 50-8 sin cámara neumática, de cuatro capas, borde radial

Frenos:

Frenado dinámico mediante sistema de transmisión hidráulica

Ejes:

1" cónico

Barras del mango:

1-1/4" diámetro

SISTEMA DE TRANSMISIÓN

Tipo:

Transmisión hidráulica con dos bombas de desplazamiento variable y dos motores de hierro fundido y alto torque

Hidro bombas:

Dos bombas Hydro-Gear BDP 10A con válvulas de descarga para el desplazamiento sin operación del motor

Motores de la rueda motriz:

Dos motores de alto torque, hierro fundido, 12 pulgadas cúbicas

Grupo de refrigeración de fluido hidráulico:

Depósito de refrigeración de nylon, con capacidad de 4 cuartos, usa fluido SAE 20W50 y filtro de 10 micrones

Control de dirección/desplazamiento:

Mangos de control independiente para cada rueda, apriete para moverlo desde adelante a neutral y a reversa, palanca de bloqueo de neutral, rango de velocidad controlado con palanca simple (de diseño patentado), ajuste de alineación en el campo con herramienta suministrada

Frenos de estacionamiento:

Tambor de 7.5", freno de banda, uno en cada rueda

Válvulas de descarga:

Permite el movimiento sin funcionamiento del motor

Ejes:

Ejes cónicos de motor de 1"

Mazo de cables:

Alambre calibre 14

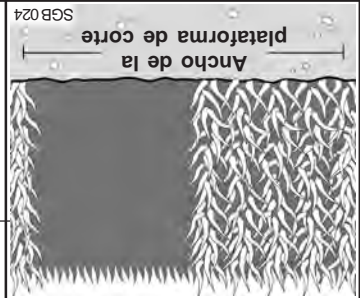
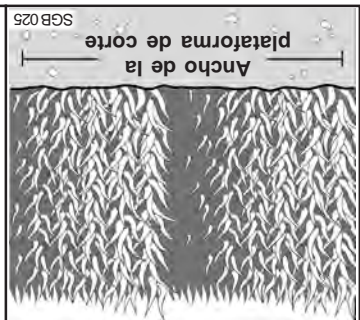
Grupo de seguridad:

Sistema de presencia del operador de actuación manual (diseño patentado), con embrague/cuchilla y bloqueo de transmisión para

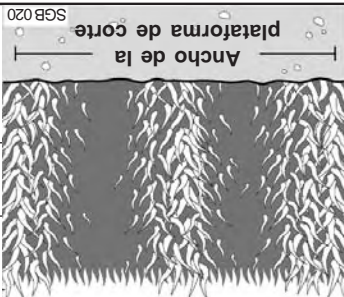

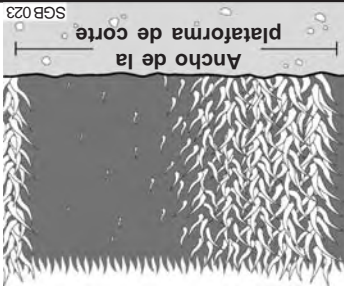
apagar el motor

IDENTIFICACIÓN DE FALLAS EN LAS CONDICIONES DE CORTE




Condición	Causa	Solución
Raspadoras - Las cuchillas pegan en la tierra o están cortando muy cerca al terreno	Baja presión de las llantas	Verifique y ajuste las presiones
	Velocidad demasiado alta	Disminuya la velocidad para ajustarse a las condiciones del terreno
	Corte demasiado bajo	Se puede tener que reducir la velocidad en el terreno, aumentar la altura de la plataforma de corte, cambiar la dirección del corte y/o cambiar la inclinación y el nivel
	Terreno rugoso	Se puede tener que reducir la velocidad en el terreno, aumentar la altura de la plataforma de corte y/o cambiar la dirección del corte
cuchillas pegan en la tierra o están cortando muy cerca al terreno	Velocidad demasiado alta	Disminuya la velocidad para ajustarse a las condiciones del terreno
	Terreno rugoso	Se puede tener que reducir la velocidad en el terreno, aumentar la altura de la plataforma de corte y/o cambiar la dirección del corte
	Corte demasiado bajo	Se puede tener que reducir la velocidad en el terreno, aumentar la altura de la plataforma de corte, cambiar la dirección del corte y/o cambiar la inclinación y el nivel
	Terreno rugoso	Se puede tener que reducir la velocidad en el terreno, aumentar la altura de la plataforma de corte y/o cambiar la dirección del corte
Raspadoras - Las cuchillas pegan en la tierra o están cortando muy cerca al terreno	Velocidad demasiado alta	Disminuya la velocidad para ajustarse a las condiciones del terreno
	Terreno rugoso	Se puede tener que reducir la velocidad en el terreno, aumentar la altura de la plataforma de corte y/o cambiar la dirección del corte
	Corte demasiado bajo	Se puede tener que reducir la velocidad en el terreno, aumentar la altura de la plataforma de corte, cambiar la dirección del corte y/o cambiar la inclinación y el nivel
	Terreno rugoso	Se puede tener que reducir la velocidad en el terreno, aumentar la altura de la plataforma de corte y/o cambiar la dirección del corte
Corte lateral - Cresta en el centro de la trayectoria de corte	Cuchillas mal montadas, disparrajas	Ajuste la inclinación y el nivel
	Cuchilla doblada	Reemplace la cuchilla
	Falla del eje interno	Consulte con su distribuidor Scag autorizado
	Montaje incorrecto del eje	Consulte con su distribuidor Scag autorizado
Corte inclinado - Crestas inclinadas a través del ancho de la trayectoria de corte	Area de montaje del eje doblada	Consulte con su distribuidor Scag autorizado
	Falla del eje interno	Consulte con su distribuidor Scag autorizado
	Alojamiento de la plataforma doblado	Consulte con su distribuidor Scag autorizado



IDENTIFICACIÓN DE FALLAS EN LAS CONDICIONES DE CORTE

Condición	Causa	Solución
<p>Corte disparajeo en terreno plano - Apariencia baja y alta ondulada, corte volado o perfil irregular</p>  <p style="text-align: right;">SGB020</p>	Levantador de la cuchilla desgastado	Reemplace la cuchilla
	Cuchilla montada invertida	Monte la cuchilla con el filo hacia el terreno
	Césped acumulado debajo de la plataforma de corte	Limpie la parte de abajo de la plataforma
	Demasiado ángulo en la cuchilla (Inclinación de la plataforma de corte)	Ajuste la inclinación y el nivel
	Plataforma de corte montada incorrectamente	Consulte con su distribuidor Scag autorizado
	Area del eje doblada	Consulte con su distribuidor Scag autorizado
	Cuchilla desafiada	Afile la cuchilla
	<p>Corte disparajeo en terreno disparajeo - Apariencia baja y alta ondulada, corte volado o perfil irregular</p>  <p style="text-align: right;">SGB021</p>	Terreno disparajeo
Llantas con presión desigual		Revisar y ajustar la presión de las llantas
		Ruedas disparajas
<p>Salientes inclinadas a lo ancho de la trayectoria de corte</p>  <p style="text-align: right;">SGB023</p>	Plataforma de corte montada incorrectamente	Consulte con su distribuidor Scag autorizado

IDENTIFICACIÓN DE FALLAS EN LAS CONDICIONES DE CORTE

Condición	Causa	Solución	
<p>Largueros -Cuchillas sin cortar ocasionales de césped</p> 	Bajas revoluciones (rpm) del motor	Opere el motor a 3600 RPM	
	Velocidad demasiado alta	Disminuya la velocidad para ajustarse a las condiciones del terreno	
	Césped mojado	Corte el césped una vez que se seque	
	Cuchillas desafiladas, afilado incorrecto	Afile las cuchillas	
	Césped acumulado debajo de la plataforma de corte	Limpie la parte de abajo de la plataforma	
	Correas patinando	Ajuste la tensión de la correa	
	<p>Vetas - Franjas de césped sin cortar en la trayectoria de corte</p> 	Cuchillas desafiladas o desgastadas	Afile las cuchillas
		Afilado incorrecto de las cuchillas	Afile las cuchillas
		Bajas revoluciones (rpm) del motor	Opere el motor a 3600 RPM
		Correa patinando	Ajuste la tensión de la correa
Césped acumulado debajo de la plataforma de corte	Limpie la parte de abajo de la plataforma		
Velocidad demasiado alta	Disminuya la velocidad para ajustarse a las condiciones del terreno		
Césped mojado	Corte el césped una vez que se seque		
Cuchillas dobladas	Reemplace las cuchillas		
<p>Vetas - Franjas de césped sin cortar entre trayectorias de corte</p> 	Traslape insuficiente entre pasadas	Aumente el traslape de cada pase	

ADVERTENCIA: 

El líquido de la batería contiene ácido sulfúrico que es TÓXICO y puede causar GRAVES QUEMADURAS QUÍMICAS. Evite el contacto del líquido con los ojos, la piel, o con la ropa. Use equipo de protección apropiado cuando manipule baterías. **NO INCLINE** ninguna batería más de 45° en ninguna dirección. Si ocurre contacto con el líquido, siga primero las sugerencias de primeros auxilios.

PRIMEROS AUXILIOS PARA ELECTROLITO DE BATERÍA

CONTACTO EXTERNO — Enjuague con agua.
OJOS — Enjuague con agua al menos durante 15 minutos y obtenga atención médica inmediatamente.
INTERNO — Beba grandes cantidades de agua. Continúe con leche de magnesia, huevos batidos, o aceite vegetal. Obtenga atención médica inmediatamente. En caso de contacto interno, **NO PROPORCIONE** líquidos que induzcan al vómito.

Carga de la batería

Desenchufe el cargador antes de conectarlo o desconectarlo de la batería. Consulte el manual del cargador de batería para instrucciones específicas.

Bajo condiciones normales el alternador del motor no tendrá problemas para mantener la carga de la batería. Si la batería se ha descargado completamente por un período largo de tiempo, el alternador puede no ser capaz de recargarla, y se necesitará un cargador de baterías.

NO cargue una batería congelada. Puede estallar y causar lesiones. Permita que la batería se entibie antes de conectar un cargador.

Siempre que sea posible, retire la batería del cortacésped antes de cargarla.

Use ropa de protección y herramientas aisladas.

ADVERTENCIA: 

LAS BATERÍAS PRODUCEN GASES EXPLOSIVOS. Cargue la batería en un espacio bien ventilado de modo que se puede disipar los gases producidos durante la carga.

Arranque por puente

Las tasas de carga entre 3 y 50 amperios son satisfactorias si no provocan excesivos gases, si no arrojan demasiado electrolito o si la batería no está muy caliente (encima de 125°F). Si se produce derrame de electrolito o excesiva producción de gas, o si la temperatura excede 52°C (125°F), la tasa de carga debe reducirse o detenerse temporalmente para permitir el enfriamiento.

1. La batería auxiliar de arranque debe ser de 12 voltios. Si se usa un vehículo para el arranque por puente, debe tener un sistema de tierra negativo.

2. Cuando conecte los cables del puente, conecte el cable positivo al poste positivo de la batería y luego el cable negativo al poste negativo de la batería.

LIMPIEZA DE LA MÁQUINA

No lave ninguna parte del equipo mientras está caliente. No lave el motor; use aire comprimido.

PRECAUCIÓN: 

1. Después que cada uso, lave el cortacésped y la plataforma de corte. Use agua fría y limpiadores automotrices. No use limpiadores a presión.

2. No rocíe los componentes eléctricos.

3. Repare las superficies de metal dañadas con la pintura de retoque Scag (N/P 48521) disponible en su distribuidor autorizado Scag. Encere el cortacésped con una cera automotriz para una máxima protección de la pintura.

SISTEMA HIDRÁULICO (CONTINUACIÓN)

Verificación del nivel de aceite del cárter

El nivel del aceite del motor se debe verificar después de cada 8 horas de operación o diariamente como se indica en el manual del operador del motor proporcionado con este cortacésped.

Cambio de aceite del cárter

Después de las 20 primeras horas de operación, cambie el aceite del cárter y reemplace el filtro de aceite. Después, cambie el aceite después de cada 100 horas de operación o cada dos semanas, lo que ocurra primero. Consulte el manual del operador del motor proporcionado con este cortacésped para instrucciones.

Cambio de filtro de aceite del motor

Después de las primeras 20 horas de operación, reemplace el filtro de aceite del motor. Luego, reemplace el filtro de aceite cada 100 horas de operación o cada mes, lo que ocurra primero. Consulte el manual del operador del motor para instrucciones.

Filtro de aire del motor

Para cualquier filtro de aire, el ambiente de operación determina los períodos de servicio del filtro de aire. Consulte el manual del operador del motor proporcionado con este cortacésped para instrucciones.

-NOTA-

En condiciones de mucho polvo, puede ser necesario dar servicio al filtro de aire diariamente para prevenir daños al motor.

BATERIA (SÓLO UNIDADES DE ARRANQUE ELÉCTRICO)

Verificación del nivel de electrolito y limpieza de Bateria

Esta máquina viene equipada de fábrica con una batería sellada. No se requiere mantenimiento para conservar el nivel de electrolito. La suciedad y el líquido acumulados sobre la batería pueden causar que la batería se descargue. La corrosión de los terminales de la batería o las conexiones flojas ocasionarán un mal funcionamiento de la misma.

1. Afloje las dos tuercas de mariposa plásticas y luego retire la cubierta de la batería.
2. Limpie los extremos del cable y los postes de la batería con estropajo de acero. Use una solución de bicarbonato de soda y agua para limpiar la batería. No permita que la solución se introduzca a las celdas de la batería.
3. Apriete firmemente las conexiones del cable y aplique una capa ligera de grasa dielectrica de silicona a los terminales para evitar la corrosión.
4. Instale la cubierta de la batería.

ADVERTENCIA:

Los postes de la batería, los terminales y los accesorios relacionados contienen plomo y compuestos de plomo; el Estado de California identifica a estas sustancias químicas como causantes de cáncer y daño a los órganos reproductivos. Lávese las manos después de manipular baterías.

ADVERTENCIA:

Las baterías plomo-ácido producen gases inflamables y explosivos. Para evitar lesiones personales al revisar, probar o cargar baterías, NO USE materiales que produzcan humo cerca de las baterías. Mantenga los arcos, las chispas y las llamas lejos de las baterías. Proporcione ventilación apropiada y use gafas de seguridad.

SISTEMA HIDRÁULICO

Verificar el nivel de aceite hidráulico

El nivel del aceite hidráulico se debe verificar después de las primeras 8 horas de operación. Después, verifique el aceite cada 100 horas de operación de la máquina o cada dos semanas, lo que ocurra primero.

-IMPORTANTE-

Si el nivel de aceite se encuentra bajo de manera constante, revise si existen pérdidas y corríjalas inmediatamente.

1. Limpie la suciedad y las sustancias contaminantes de alrededor de la tapa del depósito. Quite la tapa del depósito de aceite hidráulico.

2. Verifique visualmente el nivel de aceite hidráulico. El aceite hidráulico debe estar por lo menos a 2" (pulgadas) de la parte superior del cuello del rellenador. Si el nivel no se puede determinar visualmente, use una cinta de medición limpia para verificar el nivel. Si el fluido está bajo, agregue aceite para motor 20W50. NO llene demasiado; (llenar demasiado el depósito de aceite puede causar pérdidas de aceite alrededor del área de la tapa).

3. Limpie la tapa de relleno y tape el depósito.

Cambio de aceite hidráulico

El aceite hidráulico se debe cambiar cada 500 horas o en forma anual, lo que ocurra primero. El aceite también se debe cambiar si se ha vuelto de color negro o lechoso. Un color negro y/o un olor rancio indican generalmente un posible recalentamiento del aceite, y un color lechoso indica habitualmente la presencia de agua.

-NOTA-

El aceite hidráulico se debe cambiar si se nota la presencia de agua o se percibe un olor rancio.

1. Estacione el cortacésped en una superficie plana y detenga el motor.

2. Coloque un recipiente adecuado debajo del drenaje de aceite hidráulico. Quite la tapa del depósito de aceite hidráulico. Retire la tapa de drenaje del accesorio en T ubicado en el cabezal del filtro del sistema hidráulico. (Vea la Figura 15). Permita drenar el fluido en el recipiente y deséchelo apropiadamente.

1. Quite el elemento del filtro de aceite (Figura 15, Página 16) y deséchelo adecuadamente. Llene el nuevo filtro con aceite limpio de motor e instálelo. Apriételo a mano solamente.
2. Opere el motor a la velocidad de vacío con la palanca de control de velocidad en neutro durante cinco minutos.
3. Verifique el nivel de aceite en el tanque hidráulico. Debe estar a 2" (pulgadas) desde la parte superior del cuello del rellenador. Si es necesario, agregue aceite para motor SAE 20W50.

Cambio del elemento del filtro de aceite hidráulico

El filtro de aceite se debe cambiar después de cada 500 horas de operación o anualmente, lo que ocurra primero.

5. Reemplace la tapa de relleno del depósito. Arranque el motor y conduzca hacia adelante y hacia atrás durante dos minutos. Verifique el nivel de aceite en el depósito. Si es necesario, agregue aceite al depósito.

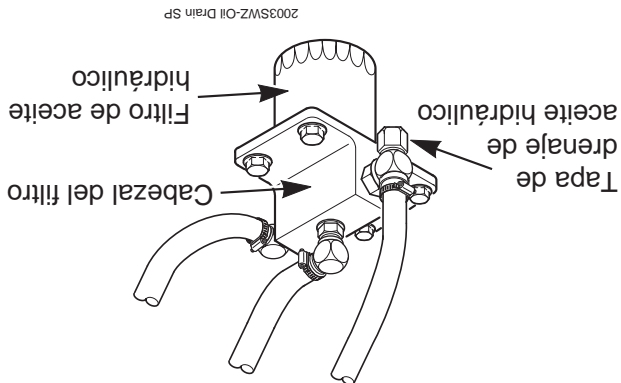
4. Llene el depósito a 2" de la parte superior del rellenador con aceite para motor SAE 20W50.

Antes de rellenar el depósito de aceite hidráulico, cambie también el filtro. Consulte las instrucciones más abajo.

-NOTA-

3. Reinstale la tapa de drenaje en el accesorio en T y asegúrese que esté apretado.

Figura 15 Tapa de drenaje de aceite hidráulico



LUBRICACIÓN Y MANTENIMIENTO

USO INICIAL

8 HORAS (DIARIAMENTE)

20 HORAS

40 HORAS/SEMANTALMENTE

100 HORAS (CADA DOS SEMANAS)

500 HORAS O ANUALMENTE

+ Engrase el eje hasta que la grasa salga por la válvula de alivio.

Grasas compatibles:
 Lidok EP #2 (encontrada en almacenes industriales)
 Ronex MP (estaciones de servicio Exxon)
 Shell Alvania (estaciones de servicio Shell)
 Mobilux #2 (estaciones de servicio Mobil)
 Superlub M EP #2 (estaciones de servicio Conoco)

OBSERVACIONES	PROCEDIMIENTO				
		8 HORAS (DIARIAMENTE)	20 HORAS	40 HORAS/SEMANTALMENTE	100 HORAS (CADA DOS SEMANAS)
	Verifique que toda la tornillería esté bien ajustada	X			
Verifique el nivel de aceite del motor	Verifique el elemento del filtro de aire	X			
Verifique el sistema de presencia del operador	Revise el sistema de presión de las llantas	X			
Verifique la tensión de la correa	Verifique la tensión de la correa	X			
Afíle las cuchillas de corte	Afíle las cuchillas de corte	X			
Verifique el nivel de aceite hidráulico	Verifique el nivel de aceite hidráulico	X			
*Limpie el cortacésped	*Limpie el cortacésped				X
Cambie el aceite del motor y el filtro	Cambie el aceite del motor y el filtro				X
Engrase los rodamientos del eje	Engrase los rodamientos del eje	X	X		
Revise el nivel de la batería	Revise el nivel de la batería		X		
Verifique el nivel de aceite hidráulico	Verifique el nivel de aceite hidráulico	X			
Cambie el aceite del motor	Cambie el aceite del motor	X			
Verifique la correcta alineación de todas las correas	Verifique la correcta alineación de todas las correas	X			
*Reemplace el elemento del filtro de aire	*Reemplace el elemento del filtro de aire	X			
Engrase los rodamientos de la rueda loca	Engrase los rodamientos de la rueda loca	X			
Verifique que toda la tornillería esté bien ajustada	Verifique que toda la tornillería esté bien ajustada	X			
Engrase la palanca del freno de mano	Engrase la palanca del freno de mano	X			
Engrase las palancas de los accionadores de freno	Engrase las palancas de los accionadores de freno	X			
Drene el sistema hidráulico y reemplace el aceite y el filtro	Drene el sistema hidráulico y reemplace el aceite y el filtro	X			
Engrase los ejes del pivote de la rueda loca	Engrase los ejes del pivote de la rueda loca	X			
Reemplace el filtro de combustible del motor	Reemplace el filtro de combustible del motor	X			
Ajuste el entrehierro en el embrague eléctrico	Ajuste el entrehierro en el embrague eléctrico	X			
Verifique el manual del operador del motor	Verifique el manual del operador del motor				
Grasa de chasis	Grasa de chasis				
Ve el manual del operador Scag para obtener información sobre este procedimiento de mantenimiento.	Ve el manual del operador Scag para obtener información sobre este procedimiento de mantenimiento.				

* Realice con más frecuencia estos procedimientos de mantenimiento bajo condiciones extremas de polvo o suciedad.

AJUSTE DE LA VARILLA DE CONTROL DE DIRECCIÓN

(CONTINUACIÓN)

3. Reinstale el resorte de control de velocidad en la plataforma giratoria. Instale la horquilla en la plataforma giratoria. (Vea la Figura 13).

AJUSTE DE ALINEACIÓN

-NOTA-

Antes de realizar este ajuste, asegúrese que la presión de las llantas sea correcta. (Vea la página 8) y que el ajuste neutral y el ajuste de la varilla de control de dirección se hayan completado.

1. Con la máquina sobre una superficie plana y nivelada, arranque el motor y ponga la palanca de ajuste de velocidad en la velocidad que se usará más a menudo.
2. Apriete las palancas de control de dirección y libere el seguro neutral. Libere lentamente las palancas de control de dirección, permitiendo que la máquina se mueva hacia adelante.

ADVERTENCIA:

1. Mueva la palanca de ajuste de velocidad a la posición neutral.
2. Coloque el interruptor de accionamiento de la cuchilla en la posición OFF.
3. Aplique el freno de estacionamiento.
4. Mueva las palancas de control de dirección a la posición neutral.

3. Si la máquina se tira a un lado. Detenga el cortacésped colocando las palancas de control de dirección en la posición neutral. Usando la llave de ajuste ubicada en el lado izquierdo de la máquina, gire la tuerca de ajuste de alineación del lado más lento contra el sentido de las agujas del reloj hasta que la máquina se alinee derecha. (Vea la Figura 14).

4. Lleve las palancas de control de dirección otra vez a la posición neutral de bloqueo y verifique que la máquina no se arrastre hacia adelante en la rueda ajustada.

5. Si la máquina avanza lentamente en neutral usted se ha movido fuera de la banda neutral y tendrá que girar la tuerca de ajuste de alineación en el sentido del reloj hasta que la máquina cese de avanzar.
6. Repita los pasos 1 y 2. Si la máquina continúa tirando a un lado, detenga el cortacésped colocando las palancas de control de dirección en la posición neutral. Gire la tuerca de ajuste de alineación en el lado más rápido en el sentido de las agujas del reloj hasta que la máquina se alinee derecha.

7. Si no puede obtener la alineación, contacte con su distribuidor autorizado Scag.

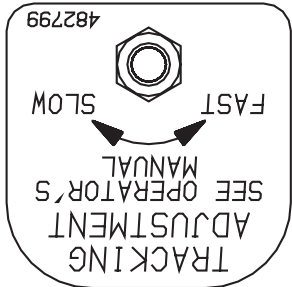


Figura 14. Ajuste de alineación

FRENO DE ESTACIONAMIENTO

1. Ajuste el freno de estacionamiento de modo que cuando la palanca del freno de mano esté contra el tope de la barra del mango, las palancas de freno de la ensambadura soldada del eje del freno queden contra los topes de la plataforma del motor.

ADVERTENCIA:
Ajuste el freno sólo lo suficiente para detener la máquina. Una fuerza excesiva puede dañar la máquina o los componentes del freno.

2. Ajuste la varilla del accionador de freno en cualquier lado de la máquina para obtener un ajuste adecuado de freno.

Ajuste del deflector de corte (Continuación)

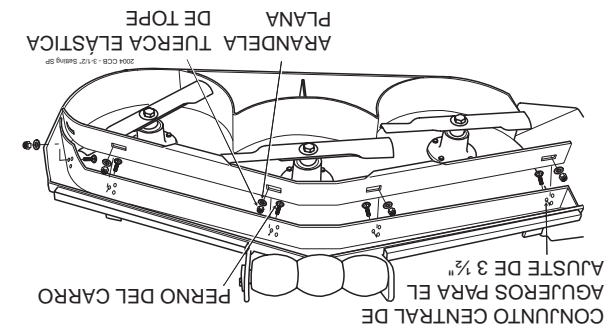


Figura 10. Posición del deflector de corte personalizado de 3-1/2"

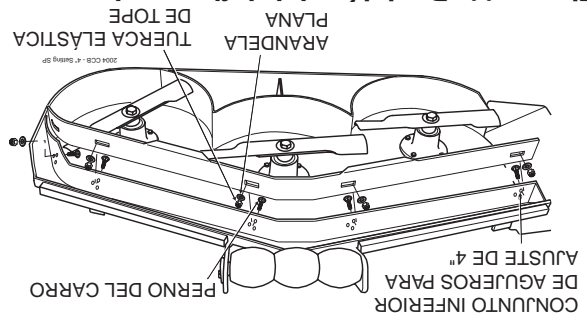


Figura 11. Posición del deflector de corte personalizado de 4"

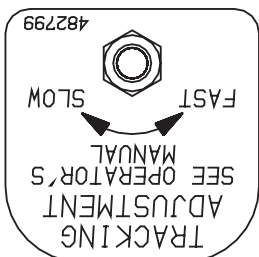
-NOTA-

La posición neutral ha sido fijada por su distribuidor Scag en el momento de la configuración y normalmente no necesita ser modificada. Sin embargo, si observa que la posición neutral se ha desajustado, siga el siguiente procedimiento.

1. Levante las ruedas motrices del terreno y bloquee las ruedas locas para evitar que la máquina se mueva.
2. Asegúrese de que la palanca de control de velocidad esté en neutral, las palancas de control de dirección en la posición de seguro neutral y el freno de estacionamiento accionado. Arranque el motor.
3. Libere el freno de estacionamiento y fíjese si las llantas están girando.
4. Comenzando en el lado izquierdo de la máquina, usando la llave de ajuste ubicada en el lado izquierdo de la máquina. Gire la perilla de ajuste de acuerdo con el sentido del reloj justo hasta que la rueda del lado izquierdo comience a arrastrarse hacia adelante. Anote la posición de la tuerca de ajuste. (Vea la Figura 12)

AJUSTE DE LA VARILLA DE CONTROL DE DIRECCIÓN

Figura 12. Ajuste neutral



5. Gire la tuerca de ajuste en el sentido de las agujas del reloj hasta que la rueda gire hacia atrás. Anote la posición de la tuerca de ajuste. Para ajustar neutral, divida la diferencia entre las dos posiciones anotadas de la tuerca de ajuste. Repita el procedimiento en el lado derecho si es necesario.
6. Coloque la llave en el sujetador del lado izquierdo de la máquina y apague el motor.

Este ajuste se realiza para permitir que las palancas de control de dirección se muevan fuera del seguro neutral sin accionar la reversa. Antes de realizar este ajuste, asegúrese de que el rodamiento del control de velocidad esté apenas tocando la leva del control de velocidad y que el rodamiento del codo multiplicador esté descansando en el canal central de la leva neutral.

1. Retire el resorte del control de velocidad. Retire la horquilla de la plataforma giratoria de la varilla de control de dirección. Verifique la ubicación de la horquilla en el orificio ranurado del codo multiplicador.
2. Gire la unión de la plataforma giratoria en las varillas de control de dirección hasta que la misma esté centrada en la ranura en el codo multiplicador.

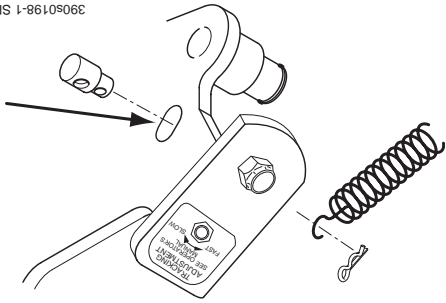


Figura 13. Ajuste de la varilla de control

CUCHILLAS DE CORTE (CONTINUACION)

-NOTA-

Afile la cuchilla con una lima. Si usa una esmerilladora, puede quemar la cuchilla. Revise el balance de la cuchilla. Si las cuchillas están desbalanceadas, puede producirse vibración y desgaste prematuro del conjunto del eje. Consulte con su distribuidor autorizado Scag para balancear la cuchilla o por herramientas especiales si prefirere balancear sus cuchillas usted mismo.

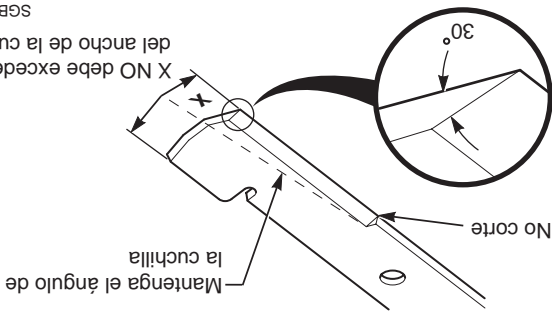


Figura 7. Afilado de las cuchillas

Ajuste del deflector de corte personalizado

El deflector de corte personalizado está diseñado para entregar un óptimo flujo de aire y un desempeño de corte superior en cualquier tipo de césped. El deflector personalizado puede levantarse o bajarse para personalizar en forma precisa el desempeño de la plataforma para el tipo de césped que se está cortando. El deflector se puede colocar en tres (3) posiciones diferentes para el desempeño óptimo.

A. Posición 3" - el deflector se instala usando el conjunto superior de agujeros en el deflector frontal soldado dentro de la plataforma de corte. (Vea la Figura 9). Las plataformas de corte Velocity-Plus y Advantage entregarán la mejor calidad de corte en césped muy alto, tiesto y difícil de cortar.

B. Posición 3-1/2" (ajuste de fábrica para las plataformas de corte Advantage) - el deflector se instala usando el conjunto central de agujeros en el deflector frontal soldado dentro de la plataforma de corte. (Vea la Figura 10). Para cortes de propósito general, coloque el deflector de corte personalizado en la posición de 3-1/2". Esto le da la mejor combinación de desempeño de corte en todos los tipos de césped.

C. Posición 4" (ajuste de fábrica para las plataformas de corte Velocity-Plus) - el deflector se instala usando el conjunto interior de agujeros en el deflector frontal soldado dentro de la plataforma de corte. (Vea la Figura 11). La colocación del deflector en el ajuste de 4" mejorará el corte en otoño (recogida de hojas) y reducirá los "soplos" en la plataforma de corte.

Para ajustar la altura del deflector de corte personalizado:

1. Quite los accesorios que aseguran el deflector de corte personalizado a la plataforma de corte (Vea la Figura 8).

-NOTA-

La ubicación de los accesorios usados en las ilustraciones es sólo para referencia. La ubicación de los accesorios puede variar de acuerdo con el tamaño de la plataforma de corte.

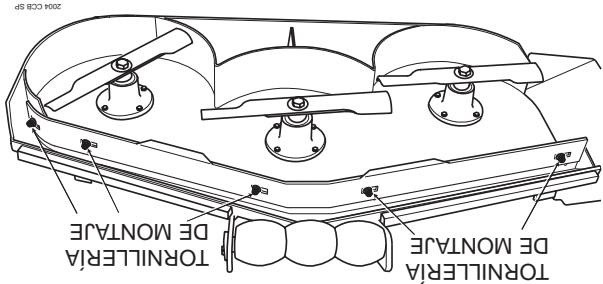


Figura 8. Deflector de corte personalizado

2. Mueva el deflector de corte personalizado a la posición deseada. (Vea las Figuras 9 hasta 11 para la ubicación).

3. Vuelva a instalar los accesorios de montaje como se muestra. (Vea las Figuras 9 hasta 11). Apriete los tornillos con un torque de 39 pies-lb.

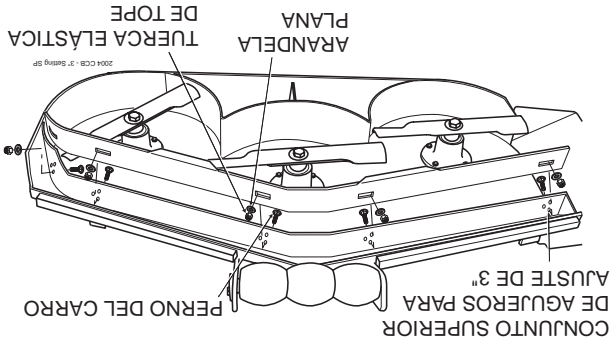


Figura 9. Posición del deflector de corte personalizado de 3"

AJUSTE DE LA ALTURA DE CORTE

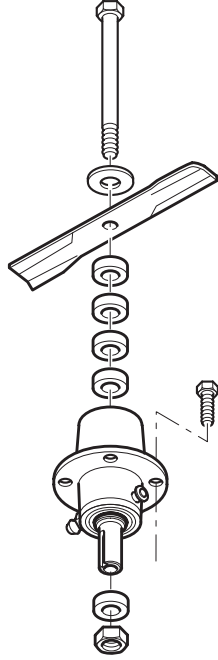
El ajuste de la altura de corte puede realizarse moviendo cualquierera de los cinco espaciadores más pequeños de 1/4" en los pernos de montaje de la cuchilla a la parte superior del eje o por debajo del eje.

-NOTA-

Todas las cuchillas deben estar distribuidas por igual.

Para un mejor corte y una mejor descarga, deben instalarse por lo menos tres espaciadores entre la cuchilla y el eje. (Vea la Figura 6).

ADVERTENCIA: Las cuchillas tienen un borde de corte afilado. Use protección apropiada para los ojos y guantes protectores o forre las cuchillas con material de protección al retirar, afilar e instalar cuchillas.



2002 SC407G

Figura 6. Espaciadores de cuchilla

CUCHILLAS DE CORTE

NO afilte las cuchillas más de 1/3 del ancho de la cuchilla. (Vea la Figura 7).

AJUSTES DE LA PLATAFORMA DE

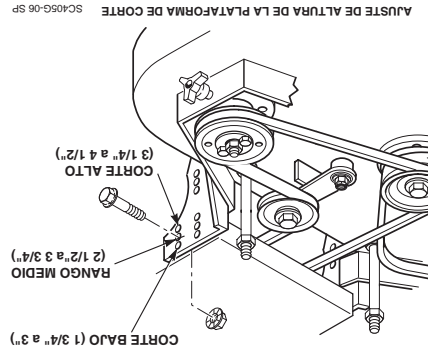
CORTE

Debido a las muchas condiciones de corte existentes, es difícil recomendar un ajuste de la plataforma de corte que funcione para todos los cortacésped. Hay dos ajustes que pueden realizarse en estas plataformas, inclinación y altura.

INCLINACIÓN es el ángulo de las cuchillas (comparando las frontales con las posteriores).

ALTURA es la distancia nominal de la cuchilla al terreno. Esta medida se realiza con las cuchillas apuntando lado a lado y la distancia se mide entre la punta de corte y el terreno. (También consulte Ajuste de la altura de corte, en la página siguiente).

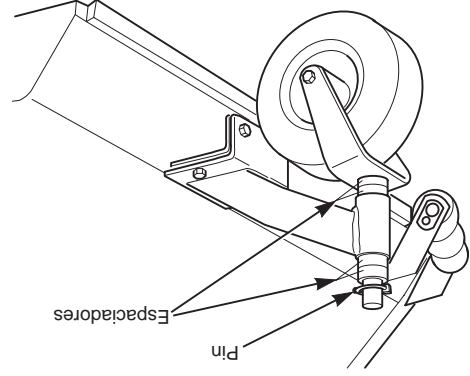
Los cambios a la altura de corte pueden alcanzarse mediante la reubicación de la plataforma de corte. (Este ajuste también afectará la inclinación de la plataforma). Hay tres posiciones disponibles. (Vea la Figura 4).



AJUSTE DE ALTURA DE LA PLATAFORMA DE CORTE SC405G-06 SP

Figura 4. Ajuste de la altura de corte

Los espaciadores de la rueda libre también pueden ser reubicados para modificar las alturas de corte y la inclinación de la plataforma. (Vea la Figura 5).



2003SGB005 SP

Figura 5. Espaciadores de la rueda loca

9. PARA DETENERSE, apriete ambas palancas, bloquee los seguros de neutral y ponga la palanca de ajuste de velocidad en posición neutral.

10. Para mover la máquina en reversa, apriete ambas palancas de control de dirección.

11. Para "rodar libremente" o mover la máquina con el motor apagado, gire contra el sentido del reloj las palancas de la válvula de descarga ubicadas en la parte posterior de las bombas, a las posiciones de "rodar libremente". Para operar la máquina, las palancas de la válvula de descarga deben girarse en el sentido del reloj hasta las posiciones de cerrado. (Vea la Figura 1).

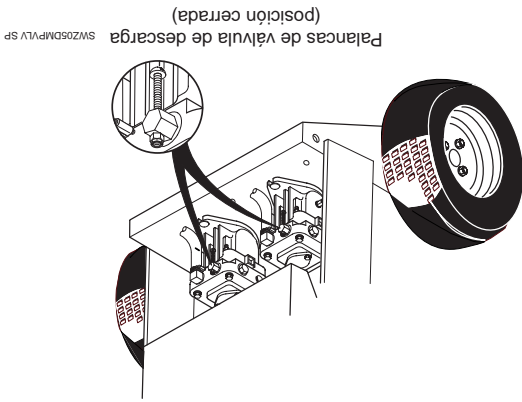


Figura 1. Válvulas de descarga
TENSIÓN DE LA CORREA

PRECAUCIÓN:
Detenga el motor y quite la llave del encendido antes de realizar cualquier ajuste. Espere que todas las partes móviles se detengan antes de comenzar a trabajar.

-NOTA-
La correa de transmisión hidráulica es cargada por resortes y no necesita ajuste.
Para ajustar la transmisión de la plataforma de corte y las correas de las cuchillas:
1. Retire la cubierta de la correa.

2. Ajuste la correa de transmisión de la plataforma de corte con un calibrador de tensión. Ajuste la correa de modo que la misma se mueva 1/2" con 10 libras de presión. Ajuste la tensión apretando o aflojando la tuerca del perno tipo J. (Vea la Figura 2).

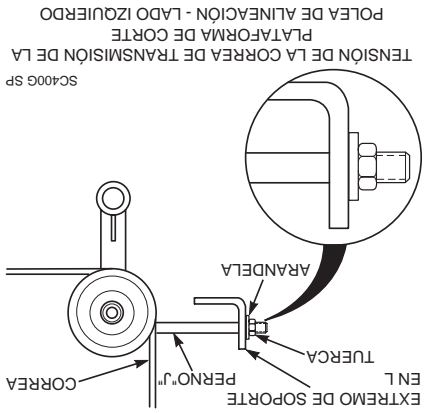


Figura 2. Ajuste de la correa de transmisión de la plataforma
-NOTA-

Debido al estiramiento inicial de la correa, y para evitar que la correa patine, verifique este ajuste después de las primeras 2, 4, y 8 horas de operación.
3. Ajuste la correa de transmisión de la cuchilla a mano derecha con un calibrador de tensión. Ajuste la correa de modo que la misma se mueva 1/2" con 10 libras de presión. Ajuste la tensión apretando o aflojando la tuerca del perno tipo J. (Vea la Figura 3).
4. Vuelva a colocar la cubierta de la correa.

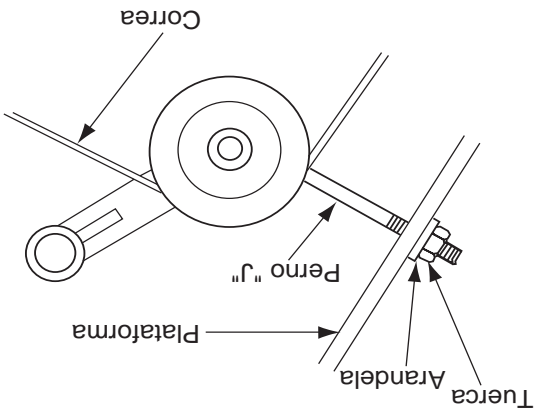


Figura 3. Ajuste de la correa de la plataforma de corte a mano derecha

OPERACIÓN DEL CORTACÉSPED (CONTINUACIÓN)

2. Antes de arrancar el motor:
 - * Verifique el nivel de aceite en el motor y en el depósito hidráulico
 - * Llene el tanque de combustible con gasolina limpia, reciente y sin plomo.
 - * Abra la válvula de combustible que está al fondo del tanque.

-NOTA-

Use gasolina con un octanaje no menor de 87 y un máximo de 10% de Etanol.

NO use combustible E85. El uso del combustible E85 dañará severamente el motor.

* La palanca de ajuste de velocidad debe estar en posición NEUTRAL.

* El interruptor de embrague de las cuchillas debe estar en la posición OFF.

* Los seguros de neutral deben estar en la posición neutral de bloqueo.

* Las palancas de presencia del operador deben estar liberadas.

* El interruptor de encendido debe estar en ON.
* El freno de estacionamiento debe estar en ON.

3. Arranque el motor:

- * Estrangule según sea necesario. Si el motor está frío, tire de la perilla de estrangulación. Cuando el motor arranque, lentamente empuje el estrangulador. Si el motor se ahoga, repita la operación de arriba. Cuando el motor está tibio, puede no ser necesario el uso del estrangulador.

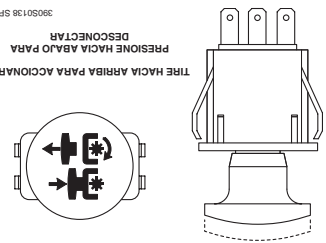
4. Accione las cuchillas de corte presionando las palancas de operador y tirando el interruptor del embrague de la cuchilla hacia la posición ON. Presione el interruptor a la posición OFF para desconectar las cuchillas de corte.

* Arranque en frío. En la primavera y el otoño, cuando las temperaturas en la mañana son frías, puede ser difícil arrancar la máquina debido a la carga parastática de la transmisión hidráulica. Para liberar esta carga, tire hacia afuera y hacia arriba la cadena de.

desembrague ubicada en el lado derecho de la máquina detrás de la llanta. Esto permitirá que arranque el motor fácilmente. Cuando el motor está caliente, libere lentamente la cadena de desembrague para conectar el sistema hidráulico.

5. Accione las cuchillas de corte tirando del interruptor de embrague de la cuchilla a la posición ON.

Presione el interruptor a la posición OFF para desconectar las cuchillas de corte.



-NOTA-

Cuando el PTO está accionado o (posiblemente) desconectado, es normal escuchar un chirrido desde la parte inferior de la máquina. Es causado por el engrane de los platos del embrague eléctricos mientras el cortacésped adquiere velocidad. Para alcanzar una mayor vida del equipo, accione el embrague con el motor a 3/4 de aceleración, no bajo carga completa.

ADVERTENCIA: Si no está familiarizado con la operación de la transmisión hidrostática y la característica de giro cero, practique girando y maniobrando con los controles manuales antes de accionar las cuchillas de corte.

6. Libere el freno de estacionamiento. Mueva la palanca de ajuste de velocidad hasta la velocidad de corte deseada.

-NOTA-

!Solo se recomienda la velocidad máxima para transporte!

7. Mientras está apretando las palancas del freno de dirección con ambas manos, libere ambos seguros de la posición neutral.

8. Cuando las palancas del freno de dirección se liberan, la máquina se desplazará en línea recta. Para realizar un giro a la derecha, apriete la palanca derecha. Para girar a la izquierda, apriete la palanca izquierda.

MANTENIMIENTO Y ALMACENAMIENTO (CONTINUACIÓN)

5. Si el cortacésped debe ser inclinado para practicarle mantenimiento o ajuste, retire la batería y drene la gasolina del tanque de combustible y el aceite del cárter.
6. Mantenga apretados todos los pernos, tuercas, y tornillos, para asegurar que la máquina esté en condiciones seguras de trabajo. Verifique frecuentemente los pernos de montaje de la cuchilla para asegurarse que estén ajustados. Reemplace todas las calcomanías desgastadas o dañadas.
7. Retire la grasa y los desechos de las unidades de corte, de la transmisión, del silenciador y del motor para prevenir incendios. Limpie cualquier derrame de aceite o combustible.
8. El motor debe estar apagado antes de revisar el nivel de aceite o de agregarlo al cárter.
9. Permita que el motor se enfríe antes de almacenarlo.
10. **NO** almacene la máquina cerca de un fuego abierto.
11. Corte el combustible durante el almacenamiento o el transporte.
12. Siempre almacene la gasolina en un recipiente rojo, aprobado para seguridad.
13. Use soportes de gato para apoyar componentes cuando sea necesario.
14. Libere cuidadosamente la presión de los componentes que tengan energía almacenada.
15. Tenga cuidado al revisar las cuchillas. Forre las cuchillas o use guantes y tenga cuidado al dar servicio a las cuchillas. Solo reemplace o afíle las cuchillas. **NUNCA** enderece ni suelde las cuchillas.
16. Tenga cuidado cuando de servicio a la batería, ya que contiene ácido, el cual es corrosivo y podría causar quemaduras a la piel y a la ropa.

ADVERTENCIA:



Los postes de la batería, los terminales y los accesorios relacionados contienen plomo y compuestos de plomo; el Estado de California identifica a estas sustancias químicas como causantes de cáncer y daño a los órganos reproductivos. Lávese las manos después de manipular baterías.

PROCEDIMIENTOS DE ARRANQUE INICIAL (PRIMER DÍA DE USO O APROXIMADAMENTE 10 HORAS)

1. Verifique la correcta tensión de las correas a las 2, 4 y 8 horas. Ajuste como lo considere necesario.
2. Verifique el ajuste neutral de las varillas de control de dirección (Consulte la sección Ajustes, página 13).
3. Verifique la presión adecuada de las llantas.
Ruedas locas Llantas macizas
Ruedas motrices 12 PSI
4. Revise que no haya tornillería floja. Apriete según sea necesario.
5. Verifique el ajuste adecuado de los interruptores de seguridad:
- * En máquinas de arranque eléctrico, el motor debe hacer girar el cigüeñal y arrancar si la máquina está en neutro, el interruptor PTO de accionamiento apagado (OFF) y el freno de estacionamiento accionado (ON).
6. Aplique lubricante a todas las conexiones. El lubricante se aplicó en fábrica. Esto solo es una revisión preventiva para asegurarse de que todas las conexiones hayan sido lubricadas.

OPERACIÓN DEL CORTACÉSPED

1. Lea y entienda las instrucciones de seguridad antes de tratar de operar esta máquina.

ADVERTENCIA:



Las baterías plomo-ácido producen gases inflamables y explosivos. Para evitar lesiones personales al revisar, probar o cargar baterías, NO USE materiales que produzcan humo cerca de las baterías. Mantenga los arcos, las chispas y las llamas lejos de las baterías. Proporcione ventilación apropiada y use gafas de seguridad.

CONSIDERACIONES DE OPERACIÓN (CONTINUACIÓN)

7. Desconecte la potencia a la plataforma de corte antes de retroceder. No corte en reversa a menos que sea absolutamente necesario y sólo después de observar toda el área detrás del cortacésped. Si debe cortar en reversa, mantenga la vista constantemente hacia la parte posterior de la máquina y corte lentamente.
8. Desconecte la potencia a la plataforma de corte antes de cruzar carreteras, caminos o caminos de grava. Detenga las cuchillas si no está cortando el césped.
9. Apague el motor y espere hasta que las cuchillas se detengan completamente antes de retirar el recipiente del recogedor de césped.
10. Nunca levante la plataforma de corte mientras las cuchillas estén girando.



PELIGRO:

¡NUNCA PONGA LAS MANOS EN LA TOLVA DE DESCARGA POR NINGÚN MOTIVO!

11. Mantenga las manos y pies lejos de las cuchillas de corte y las partes móviles. El contacto puede causar daños.
12. **NO** opere sin la tolva de descarga lateral instalada y en la posición baja.
13. **NO** dirija la descarga del material hacia otras personas, ni permita que haya nadie cerca a la máquina mientras está en funcionamiento.
14. Si las cuchillas de corte golpean un objeto sólido o si el equipo comienza a vibrar en forma anormal, detenga el motor, desconecte los cables de bujía, y busque inmediatamente la causa. Generalmente, la vibración es una advertencia de alguna falla. Busque si hay daños o piezas defectuosas en la máquina. Repare cualquier daño antes de arrancar el motor o de operar la plataforma de corte. Asegúrese de que las cuchillas estén en buen estado y que sus pernos estén ajustados.
15. Tome toda precaución posible cuando deje la máquina sin atención, como desconectar el cortacésped, detener el motor y quitar la llave.

MANTENIMIENTO Y ALMACENAMIENTO

1. Sólo permita que personal entrenado de servicio a la máquina.
2. Estacione la máquina en terreno plano.
3. Nunca realice ajustes a la máquina con el motor en operación a menos que se le indique específicamente hacerlo así. Si el motor está funcionando, mantenga las manos, los pies, y la ropa lejos de las piezas móviles.
4. Desconecte la transmisión, baje los implementos, detenga el motor y quite la llave o desconecte los cables de bujía para evitar un arranque accidental del motor cuando esté dando servicio o ajuste a la máquina. Espere que todo movimiento cese antes de realizar cualquier ajuste, limpieza o reparación.
16. **NO** opere el equipo bajo la influencia de alcohol o drogas.
17. Tenga cuidado al cargar o descargar la máquina en un remolque o un camión.
18. Tenga cuidado al aproximarse a esquinas ciegas, arbustos, árboles, u otros objetos que puedan disminuir la visibilidad.
19. No cambie los ajustes del controlador del motor ni opere a mayor velocidad de la nominal. Vea el manual del operador del motor para obtener información sobre los ajustes del motor.
20. **Nunca** deje la máquina funcionando sin atención.

PRECAUCIÓN:

NO toque el motor ni el silenciador mientras el motor está funcionando, ni inmediatamente después de detenerlo. Estas zonas pueden estar lo suficientemente calientes como para causar una quemadura.

PELIGRO:

NO opere el motor dentro de un edificio ni en un área encerrada sin ventilación apropiada. Los gases de escape son peligrosos y contienen monóxido de carbono que pueden causar daño cerebral y la muerte.

CONSIDERACIONES PREVIAS A LA OPERACIÓN (CONTINUACIÓN)

- Siempre debe estar instalada la tolva de descarga y en la posición baja en la plataforma de corte de la descarga lateral, excepto cuando el recogedor de césped es opcional o la placa de mezcla de paja Scag estén correctamente instalados.

- Si la descarga del cortacésped se tapona, apague el motor, quite la llave de encendido y espere que cese todo movimiento antes de quitar la obstrucción.

ADVERTENCIA:

NO use la mano para desatascar la tolva de descarga. Use una varilla u otro dispositivo para retirar el material atascado después de apagar el motor y que las cuchillas paren de girar.

- Verifique a intervalos frecuentes que los pernos de montaje de la cuchilla estén correctamente ajustados.
- Asegúrese de que todas las conexiones hidráulicas estén apretadas y que todas las mangueras hidráulicas y las líneas estén en buen estado antes de arrancar la máquina.

CONSIDERACIONES DE OPERACIÓN

- Antes de operar el cortacésped, debe familiarizarse con todos los controles del cortacésped y el motor. Es importante conocer la ubicación, función y operación de estos controles para la operación segura y eficiente del cortacésped.
- Arranque el motor cuando los seguros de neutral estén en la posición neutral de bloqueo, las hojas de corte desconectadas, el freno de estacionamiento accionado y la palanca de ajuste de velocidad en la posición neutral.
- Asegúrese que los conmutadores de bloqueo funcionen correctamente.
- NO corte cuando niños y/o otras personas estén presentes. Mantenga a los niños fuera del área de corte y al cuidado atento de un adulto responsable distinto del operador. Este atento y apague la máquina si un niño ingresa al área.
- NO LLEVE** pasajeros.

- El uso de la máquina requiere atención. Para evitar la pérdida de control:

- Corte el césped sólo con luz de día o buena luz artificial.
- Preste atención a agujeros, piedras, raíces y otros peligros ocultos en el terreno. Manténgase alejado de toda pendiente vertical. Tenga cuidado con las obstrucciones presentes arriba de su cabeza (ramas bajas, etc.), obstáculos subterráneos (aspersores, tubos, raíces de árboles, etc.) Ingrese con precaución a un área nueva. Preste atención a posibles peligros ocultos.

ADVERTENCIA:

NO OPERE en pendientes empinadas. Para probar si puede trabajar en una cuesta, trate de retroceder (con la plataforma de corte baja). Si la máquina no puede retroceder en una pendiente sin que las ruedas resbalen, no la opere en dicha pendiente. **SIEMPRE** desplácese a través de la pendiente cuando sea posible. Nunca suba y baje la pendiente.

Reduzca la velocidad y tenga cuidado al girar o al operar en pendientes, o en superficies húmedas o resbaladizas. Permita una distancia adicional para detenerse. Opere la máquina suavemente, sin giros repentinos, ni arranques o paradas en una pendiente. **SIEMPRE** mantenga el equilibrio. Mantenga firmemente las asas y camine—no corra.

NO corte cerca de pendientes verticales, zanjas ni terraplenes. La máquina podría volcarse repentinamente si una rueda pasa encima de un borde o si el borde se derrumba.

NO permita que personal sin entrenamiento opere la máquina.

SIEMPRE CUMPLA CON LAS OPERACIONES APROBADAS POR OSHA

CONSIDERACIONES PREVIAS A LA OPERACIÓN (CONTINUACIÓN)

- A. Mantenga los objetos inflamables (cigarrillos, fósforos o cerillos, etc.), las llamas abiertas y chispas, lejos del tanque y el recipiente de combustible.
 - B. Use solamente un recipiente aprobado para gasolina.
 - C. **NO** agregue combustible a un motor en operación ni a un motor caliente. Permita que el motor se enfríe por varios minutos antes de agregar el combustible.
 - D. Nunca abastezca de combustible al cortacésped bajo techo ni en un remolque cerrado.
 - E. Nunca almacene el cortacésped o el recipiente de combustible donde haya una llama abierta, chispa o luz piloto, como de un calentador de agua u otros aparatos.
 - F. Nunca llene recipientes dentro de un vehículo de material plástico. Siempre coloque los recipientes en el terreno lejos de su vehículo antes de abastecerlos de combustible.
 - G. Retire la máquina del camión o del remolque y abastézcala de combustible en el terreno. Si esto no es posible, añada el combustible con un recipiente portátil en lugar de usar una boquilla de un dispensador de gasolina.
 - H. Mantenga la boquilla en contacto con el borde del tanque de combustible o con la abertura del recipiente hasta terminar de llenar el combustible. No utilice un dispositivo que bloquee la boquilla en posición abierta.
 - I. Si derrama combustible en la ropa, cámbiesela inmediatamente.
 - J. Coloque nuevamente la tapa de gasolina y apríete firmemente.
8. Antes de intentar arrancar el motor, mueva la palanca de ajuste de velocidad a la posición neutral, mueva el interruptor de accionamiento de la cuchilla a la posición OFF, aplique el freno de estacionamiento y mueva los seguros de neutral a neutro.
5. Siempre use ropa apropiada. La ropa holgada, el caballo largo o las joyas podrían enredarse en partes móviles. No opere la máquina llevando pantalones cortos; siempre lleve ropa de protección adecuada, incluyendo pantalones largos. Es recomendable llevar gafas de seguridad, zapatos de seguridad y un casco, pues es requerido por algunos reglamentos locales y normas del seguro.

Siempre use protectores auditivos. El operar esta máquina por períodos prolongados de tiempo puede causar pérdida de la audición.

ADVERTENCIA:

6. Mantenga la máquina y los accesorios en buenas condiciones de operación. Mantenga todas las guardas y dispositivos de seguridad en su lugar. Si una guarda, un dispositivo de seguridad o una calcomanía, están defectuosos o dañados, repárelos o reemplácelos antes de operar la máquina.

ADVERTENCIA:

Esta máquina está equipada con un sistema de bloqueo diseñado para evitar lesiones personales al operador y a terceros. Esto se logra evitando que el motor arranque a menos que la transmisión de plataforma esté desconectada, el freno de estacionamiento accionado y la palanca de ajuste de velocidad en la posición neutral. El sistema apaga el motor si el operador libera las palancas de presencia del operador con la transmisión de plataforma accionada y/o la palanca de ajuste de velocidad en una posición diferente de la neutral y el freno de estacionamiento no accionado. Nunca opere el equipo con el sistema de bloqueo desconectado ni funcionando defectuosamente.

7. Llene el tanque de combustible con gasolina limpia y reciente con un octanaje mínimo de 87 y hasta un máximo de 10% de Etanol. Para evitar lesiones personales o daños a la propiedad, tenga mucho cuidado al manipular gasolina. La gasolina es extremadamente inflamable y los vapores son explosivos.

NO use combustible E85. El uso del combustible E85 dañará severamente el motor.

ADVERTENCIA

NO OPERE SIN EL EQUIPO MEZCLADOR DE PAJA DE LA TOLVA DE DESCARGA, O SIN EL RECOGEDOR DE CESPED INSTALADOS.

INFORMACIÓN DE SEGURIDAD

Palabra de señalización:

La palabra de señalización es distintiva y se encuentra en las calcomanías de seguridad del equipo y a través de este manual para alertar sobre la existencia y el grado de una condición de peligro.



La palabra de señalización "DANGER" (PELIGRO) indica que existe una situación extremadamente peligrosa en o cerca de la máquina, que tiene altas probabilidades de ocasionar la muerte o una lesión irreparable si no se toman las precauciones apropiadas.



La palabra de señalización "WARNING" (ADVERTENCIA) indica que existe un riesgo en o cerca de la máquina que puede ocasionar lesiones o la muerte si no se toman las precauciones debidas.



La palabra de señalización "CAUTION" (PRECAUCIÓN) es un recordatorio de que se deben seguir prácticas seguras en o cerca de la máquina y que de no seguirse, se pueden ocasionar lesiones personales.

Su seguridad y la de los demás dependen en gran parte de que usted conozca y comprenda todos los procedimientos y las prácticas de operación correcta de esta máquina.

CONSIDERACIONES PREVIAS A LA OPERACIÓN

1. Familiarícese con la operación segura del equipo, los controles del operador y las señales de seguridad.
2. **NUNCA** permita que niños o personas no calificadas operen o den servicio a esta máquina.
3. **NO PERMITA** que los niños se suban o jueguen en la máquina, no es un juguete.
4. Retire del área que debe ser cortada todos los objetos que pudieran ser recogidos y arrojados por las cuchillas.

INFORMACIÓN GENERAL DE SEGURIDAD

Su cortacésped es tan seguro como el operador. El error o descuido del operador puede ocasionar lesiones personales graves o la muerte. El control de riesgos y la prevención de accidentes dependen del conocimiento, el interés, la prudencia, y el entrenamiento apropiado del personal relacionado con la operación, el transporte, mantenimiento y almacenamiento del equipo. Cerciórese de que cada operador esté entrenado apropiadamente y completamente familiarizado con todos los controles antes de operar el cortacésped. El propietario/usuario puede evitar y es responsable de los accidentes o heridas que les ocurran a ellos mismos, a otras personas o a la propiedad.

LEA ESTE MANUAL DEL OPERADOR ANTES DE TRATAR DE ARRANCAR SU CORTACÉSPED.











Si el operador o mecánico no puede leer inglés o español, es responsabilidad del propietario explicarles este material.

Hay disponible un manual de reemplazo en su distribuidor autorizado Scag o contactándose con Scag Power Equipment, Service Department en P.O. Box 152, Mayville, WI 53050, o visitando su sitio web en www.scag.com. Puede descargar el manual para su máquina utilizando el modelo y el número de serie o mediante el formulario de contacto para hacer su pedido. Indique el modelo y el número de serie completos de su producto de Scag cuando solicite manuales de reemplazo.











PALABRAS DE SEÑALIZACIÓN



Este símbolo significa "¡Atención! ¡Alerta! ¡Hay un riesgo para su seguridad!" El símbolo se usa con las siguientes palabras de señalización para llamar su atención sobre mensajes de seguridad localizados en las calcomanías del equipo y a través de este manual. El mensaje que sigue al símbolo contiene información importante sobre seguridad. ¡Para evitar posibles lesiones o la muerte, lea detalladamente el mensaje! Cerciórese de entender completamente las causas que pueden ocasionar lesiones o la muerte.

DESCRIPCIÓN	SÍMBOLO	DESCRIPCIÓN	SÍMBOLO
Lento		Rápido	
Elemento cortante - Símbolo básico		Continuamente variable - Lineal	
Elemento cortante - Conectar		Punto de contacto	
Elemento cortante - Desconectar		Horómetro/Horas de operación transcurridas	
Lea el manual del operador		Peligro de objetos lanzados Mantenga alejados a los curiosos	



DESCRIPCIÓN	SÍMBOLO	DESCRIPCIÓN	SÍMBOLO
Transmisión		Ahogador	
Cuchilla giratoria		Freno de estacionamiento	
Tensión del resorte en la polea		Encendido/Arranque	
Aceite		Apagado/Parada	
Objetos lanzados		Riesgo de caída	

INFORMACIÓN GENERAL

SÓLO USE DISPOSITIVOS APROBADOS POR SCAG.

Los accesorios y aditamentos fabricados por compañías que no sean la propia Scag Power Equipment no están aprobados para usarlos en esta máquina. El uso de dispositivos no aprobados, (especialmente los dispositivos de conducción "verticales") puede ser peligroso.

ACCESORIOS Y ADITAMENTOS APROBADOS POR SCAG:

- GC-F4 (n/p 9055)
- GC-4D (n/p 9054)
- Placa desmenuzadora (n/p 9258, 9286, 9287)
- Sistema mezclador de paja Hurricane™ (n/p 9263, 9283, 9284)
- Sujetavaso (n/p 9240)
- Horómetro (n/p 48023)
- Deflector turbo (n/p 424208, 424209)
- Blade Buddy (n/p 9212)

REFERENCIA DE INSTRUCCIONES

Los lados "derecho" e "izquierdo", "frontal" y "posterior" de la máquina se refieren a la izquierda y derecha del operador cuando se encuentra en posición de operación normal y de cara a la dirección de desplazamiento hacia adelante.

SERVICIO AL MOTOR Y A LOS COMPONENTES DEL TREN DE TRANSMISIÓN

Los detalles sobre servicio y reparación del motor y las bombas hidráulicas no están cubiertos en este manual; sólo se proporcionan instrucciones de mantenimiento de rutina y de servicio general. Para dar servicio a estos componentes durante el período de garantía limitada, es importante contactar con su distribuidor Scag o encontrar a un agente local de servicio autorizado del fabricante del componente. Cualquiera trabajo no autorizado realizado en estos componentes durante el período de garantía puede anularla.

INTRODUCCIÓN

Su cortacésped se fabricó según las normas más exigentes de la industria. Sin embargo, la duración de la vida útil y el logro de la máxima eficiencia de su cortacésped dependen de que se sigan las instrucciones de operación, mantenimiento y ajuste indicadas en este manual.

Si requiere información o servicio adicionales, contacte con su distribuidor de Scag Power Equipment.

Le sugerimos que se ponga en contacto con su distribuidor cuando necesite reparaciones. Todos los distribuidores Scag están informados de los últimos métodos para dar servicio a este equipo y para proporcionar un servicio oportuno y eficiente en el sitio de trabajo o en el taller de servicio. Ellos cuentan con la línea completa de piezas de repuesto Scag.

EL REEMPLAZO DE CUALQUIER PARTE DE ESTE PRODUCTO POR OTRA PIEZA DE REPUESTO QUE NO ESTE AUTORIZADA POR EL FABRICANTE PUEDE PERJUDICAR EL RENDIMIENTO, DURABILIDAD O SEGURIDAD DE ESTE PRODUCTO.

EL USO DE PIEZAS DE REPUESTO QUE NO SEAN SCAG ORIGINALES ANULARÁ LA GARANTÍA.

Para una mejor visualización, algunas ilustraciones y las figuras en este manual pueden mostrar las protecciones, las guardas o los platos, abiertos o retirados. Bajo ninguna circunstancia su cortacésped debe operarse sin estos accesorios colocados en su lugar.

Toda la información esta basada sobre la información disponible del producto al momento de aprobarse la impresión. Scag Power Equipment se reserva el derecho de realizar cambios en cualquier momento sin previo aviso y sin contraer ninguna obligación.



TABLA DE CONTENIDO
(CONTINUACIÓN)

PÁGINA

TEMA

16	Cambio del elemento del filtro de aceite hidráulico
17	Mantenimiento del aceite del motor
17	Mantenimiento del filtro de aire del motor
17	Verificación del nivel de electrolito y limpieza de batería
18	Carga de la batería
18	Arranque por puente
18	Limpieza de la máquina
19-21	Identificación de fallas en las condiciones de corte
22-23	Especificaciones técnicas
Lista de partes ilustrada	
24	Notas
25	Conjunto de la rueda libre
26-27	SWM-36"
28-29	Plataforma de corte SWM-48", 52", 61"
30-31	Plataforma del motor - Arranque manual
32-33	Plataforma del motor - Arranque eléctrico (SWZ-21KAE)
34-35	Componentes de transmisión y freno
36-37	Conjunto del mango - Bastidor pequeño (16")
38-39	Conjunto del mango - Bastidor grande (20")
40-41	Conjunto hidráulico
42-43	Conjunto de bomba hidráulica
44	Mazo de cables de la plataforma del motor (arranque manual)
44	Mazo de cables del mango (arranque manual)
45	Mazo de cables de la plataforma del motor - Arranque eléctrico (SWZ-21KAE)
45	Mazo de cables del mango - Arranque eléctrico (SWZ-21KAE)
46	Adaptador del mazo de cables-Kawasaki (16 HP, 17 HP y 19 HP)
47-49	Calcomanías de repuesto
50	Notas
	Dentro de la cubierta posterior



1	Introducción
1	Referencia de instrucciones
1	Servicio al motor y a los componentes del tren de transmisión
2-3	Símbolos
4	Instrucciones generales de seguridad
4	Palabras de señalización
4-6	Consideraciones previas a la operación
6-7	Consideraciones de operación
7-8	Mantenimiento y Almacenamiento
8	Procedimientos de arranque inicial
8-9	Operación del cortacésped
10	Tensión de la correa
11	Ajustes de la plataforma de corte
11	Ajuste de la altura de corte
11	Cuchillas de corte
12	Ajuste del deflector de corte personalizado
13	Ajuste neutral
13	Ajuste de la varilla de control de dirección
14	Ajuste de alineación
14	Freno de estacionamiento
15	Tabla de Lubricación y Mantenimiento
16	Verificar el nivel de aceite hidráulico
16	Cambio de aceite hidráulico

PÁGINA

TEMA

SCAG® POWER EQUIPMENT

TABLA DE CONTENIDO

ADVERTENCIA:

EL INCUMPLIMIENTO DE LAS PRÁCTICAS SEGURAS DE OPERACIÓN PUEDE RESULTAR EN LESIONES GRAVES.

- * Mantenga todas las guardas en su posición, especialmente la de la tolva de descarga de césped.
- * Antes de realizar cualquier mantenimiento o servicio, detenga la máquina y quite el cable de la bujía y la llave de encendido.
- * Si un mecanismo se atasca, detenga el motor antes de limpiar.
- * Mantenga las manos, los pies y la ropa lejos de las partes móviles.
- * Lea este manual completamente así como cualquier otro manual proporcionado con su cortacésped.
- * Mantenga a otras personas alejadas del tractor (sólo una persona debe usarlo a la vez).
- * NO OPERE en pendientes empinadas. Para probar si puede trabajar en una cuesta, trate de retroceder (con la plataforma de corte baja). Si la máquina puede retroceder por la pendiente sin que las ruedas se resbalen, reduzca la velocidad y opere con extremo cuidado. SIEMPRE CUMPLA CON LAS OPERACIONES APROBADAS POR OSHA.
- * NO corte en césped mojado. El césped mojado reduce la tracción y el control de dirección.

RECUERDE - ¡SU CORTACÉSPED ES TAN SEGURO COMO EL OPERADOR!

El control de riesgos y la prevención de accidentes dependen del conocimiento, el interés, la prudencia, y el entrenamiento apropiado del personal relacionado con la operación, el transporte, mantenimiento y almacenamiento del equipo.

Este manual cubre las instrucciones de operación y la lista de partes ilustradas para:

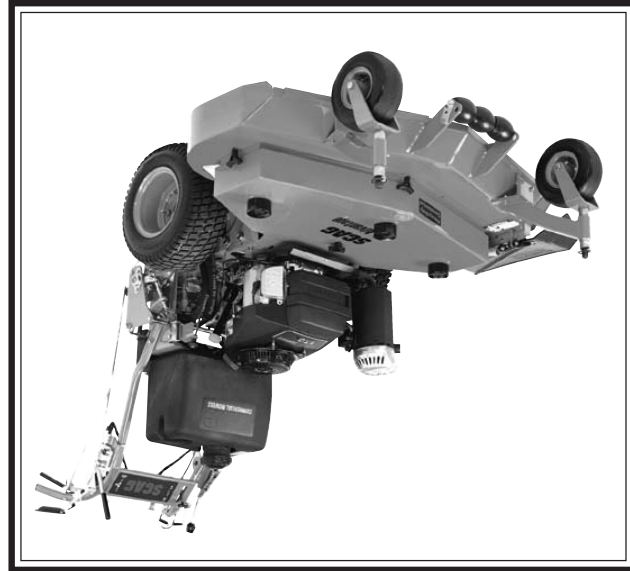
SWZ36A-16KAI con número de serie de D450001 a D4599999
SWZ48V-17KAI con número de serie de D460001 a D4699999
SWZ52V-17KAI con número de serie de D470001 a D4799999
SWZ52V-19KAI con número de serie de D480001 a D4899999
SWZ-19KAI con número de serie de D510001 a D5199999
SWZ-21KAE con número de serie de D520001 a D5299999
SWM-52V con número de serie de D540001 a D5499999
SWM-61V con número de serie de D550001 a D5599999

Cuando se refiera a este producto siempre use el número de serie completo que aparece en la etiqueta de número de serie.

MANUAL DEL OPERADOR

SCAG[®]
POWER EQUIPMENT

MODELO SWZ



ESTE MANUAL CONTIENE LAS INSTRUCCIONES DE OPERACIÓN Y LA INFORMACIÓN DE SEGURIDAD PARA SU CORTACÉSPED SCAG. LA LECTURA DE ESTE MANUAL LE PUEDE AYUDAR EN EL MANTENIMIENTO Y LOS PROCEDIMIENTOS DE AJUSTE A FIN DE MANTENER SU CORTACÉSPED TRABAJANDO A LA MÁXIMA EFICIENCIA. LOS MODELOS ESPECÍFICOS CUBIERTOS POR ESTE MANUAL ESTÁN INDICADOS EN LA CUBIERTA INTERIOR. ANTES DE OPERAR SU MÁQUINA, LEA TODA LA INFORMACIÓN INCLUIDA.

PARTE Nº 03226
IMPRESO EN
ABRIL DE 2007
IMPRESO EN
E.U.

© 2007
SCAG POWER EQUIPMENT
DIVISION OF METALCRAFT OF MAYVILLE, INC.

Free Manuals Download Website

<http://myh66.com>

<http://usermanuals.us>

<http://www.somanuals.com>

<http://www.4manuals.cc>

<http://www.manual-lib.com>

<http://www.404manual.com>

<http://www.luxmanual.com>

<http://aubethermostatmanual.com>

Golf course search by state

<http://golfingnear.com>

Email search by domain

<http://emailbydomain.com>

Auto manuals search

<http://auto.somanuals.com>

TV manuals search

<http://tv.somanuals.com>