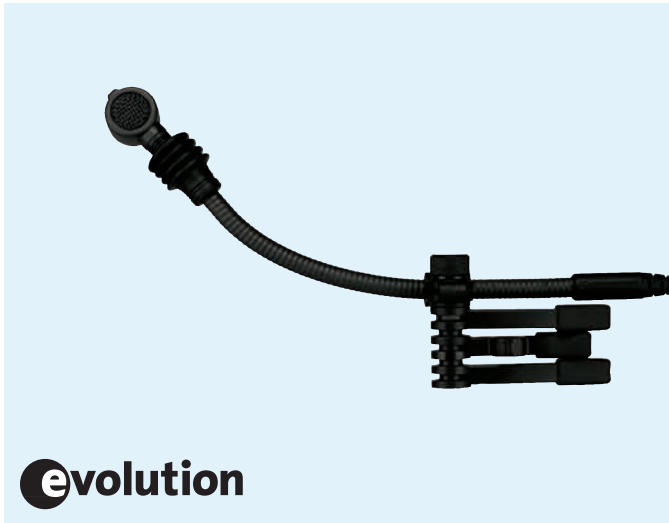


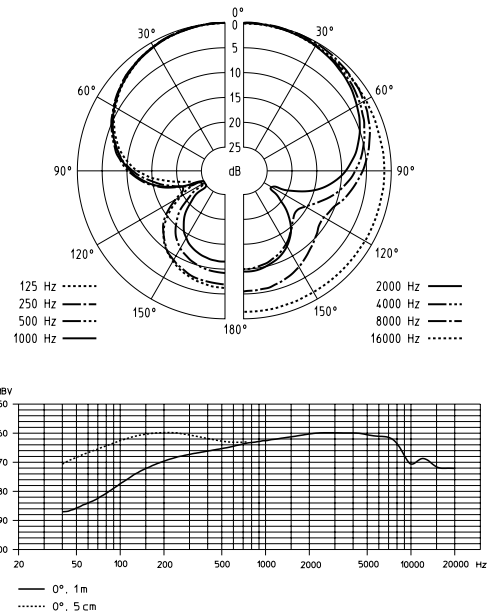
**General Description**

The e 608 is a super-cardioid microphone ideal for almost invisible clip-miking of woodwind, brass and drums. A newly developed clamp and gooseneck mounting enables the capsule to be positioned close to the signal source for high realism and high-level output.



**Technical Data**

Transducer principle.....	dynamic
Pick-up pattern .....	super-cardioid
Frequency response .....	40 – 16,000 Hz
Sensitivity (free field, no load, 1 kHz).....	0.8 mV/Pa
Nominal impedance .....	250 Ω
Min. terminating impedance .....	1 kΩ
Dimensions .....	∅ 17 x 185 mm (∅ 0.67" x 7.28")
Weight .....	20 g (0.71 oz)



**Features**

- Rugged reinforced glass-fibre body
- Shock-mounted capsule provides low sensitivity to impact and handling noise
- Hum compensating coil
- Extremely robust connection cable with XLR connector
- Delivery includes: 1 e 608
  - 1 microphone clip
  - 1 pouch
  - 1 Instructions for use
  - 1 Warranty Certificate

**Profile**

Super-cardioid instrument microphone, hum compensating coil, frequency response 40 Hz – 16 kHz, sensitivity (free field, no load) 0.8 mV/Pa at 1 kHz, nominal impedance 250Ω, min. terminating impedance 1 kΩ, dimensions ∅ 17 x 185 mm (∅ 0.67" x 7.28"), weight 20 g (0.71 oz).

## Free Manuals Download Website

<http://myh66.com>

<http://usermanuals.us>

<http://www.somanuals.com>

<http://www.4manuals.cc>

<http://www.manual-lib.com>

<http://www.404manual.com>

<http://www.luxmanual.com>

<http://aubethermostatmanual.com>

Golf course search by state

<http://golfingnear.com>

Email search by domain

<http://emailbydomain.com>

Auto manuals search

<http://auto.somanuals.com>

TV manuals search

<http://tv.somanuals.com>