

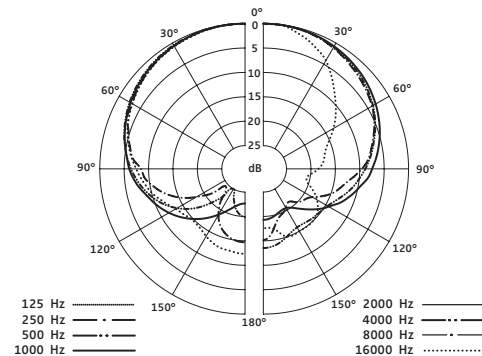
General Description

The cardioid e 935 is a fully professional vocal microphone, developed to cut through high on-stage levels.



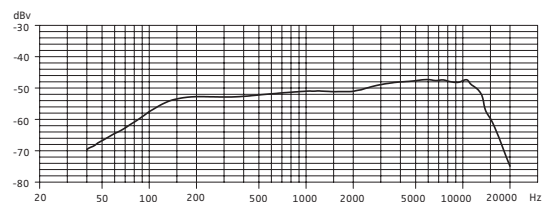
Technical Data

Transducer principle	dynamic
Pick-up pattern	cardioid
Frequency response	40 – 18,000 Hz
Sensitivity (free field, no load, 1 kHz)	2.8 mV/Pa at 1 kHz = -51 dB (0 dB = 1V/Pa)
Nominal impedance	350 Ω
Min. terminating impedance	1 kΩ
Dimensions	47 x 181 mm (1.85" x 7.13")
Weight	330 g (11.64 oz)



Features

- Rugged metal body
- Advanced shock-mount design
- Consistent on-/off-axis response
- Hum compensating coil
- Delivery includes a pouch and a microphone clamp



Profile

Cardioid professional vocal microphone, hum compensating coil, frequency response 40 – 18,000 Hz, sensitivity (free field, no load) 2.8 mV/Pa at 1 kHz = -51 dB (0 dB = 1V/Pa), nominal impedance 350 Ω, min. terminating impedance 1 kΩ, dimensions 47 x 181 mm (1.85" x 7.13"), weight 330 g (11.64 oz).

Free Manuals Download Website

<http://myh66.com>

<http://usermanuals.us>

<http://www.somanuals.com>

<http://www.4manuals.cc>

<http://www.manual-lib.com>

<http://www.404manual.com>

<http://www.luxmanual.com>

<http://aubethermostatmanual.com>

Golf course search by state

<http://golfingnear.com>

Email search by domain

<http://emailbydomain.com>

Auto manuals search

<http://auto.somanuals.com>

TV manuals search

<http://tv.somanuals.com>