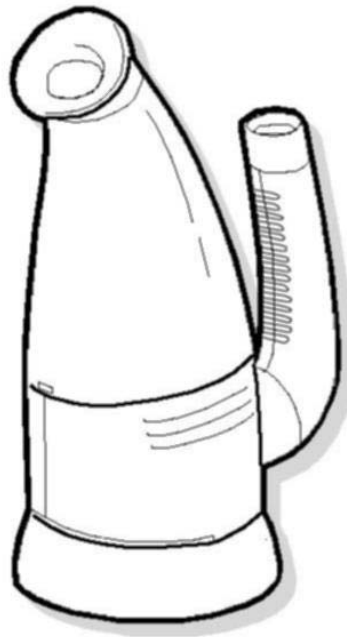


Shark™

Cordless Hand Vac

7.2 V DC
Model EP730

USE AND CARE INSTRUCTIONS



For information or assistance:

USA: EURO-PRO Corporation
178 West Service Rd.
Champlain, NY 12919
Tel.: 800-798-7398

Canada: EURO-PRO Corporation
4400 Bois Franc
St. Laurent, QC H4S 1A7
Tel.: 514-842-8691

www.sharkvac.com

EURO-PRO X

Download from Www.Somanuals.com. All Manuals Search And Download.

IMPORTANT SAFEGUARDS

When using an electrical appliance, basic safety precautions should always be observed, including the following

READ ALL INSTRUCTIONS BEFORE USING YOUR CORDLESS HAND VACUUM.

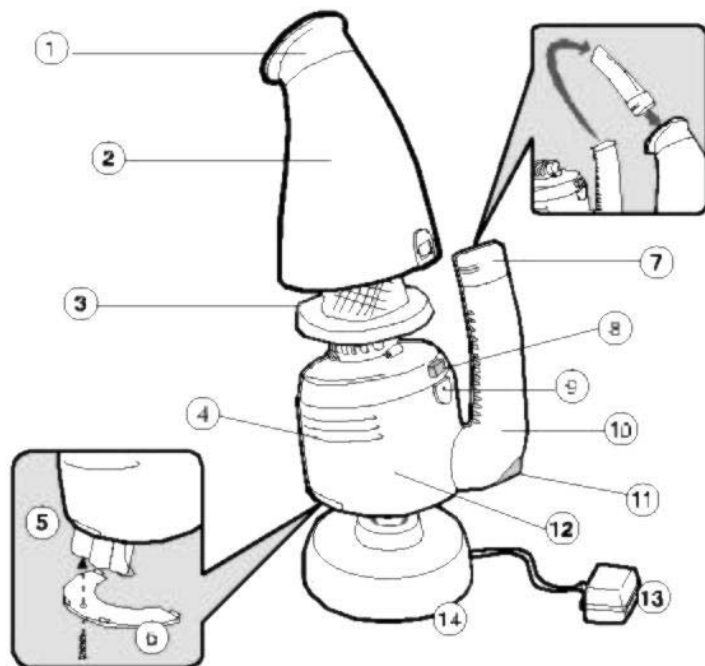
WARNING: To reduce the risk of fire, electrical shock, or injury:

1. Do not charge this unit outdoors.
2. Do not use outdoors or on wet surfaces.
3. Do not allow to be used as a toy. Close attention is necessary when used by or near children.
4. Use only as described in this manual. Use only manufacturer's recommended attachments.
5. Do not use with damaged cord or plug. Do not use cordless hand vacuum if it has been dropped, damaged, left outdoors, or dropped in water. Return it to **EURO-PRO** Corporation for examination, repair or adjustment.
6. Do not abuse the charger cord. Never carry the charger or base by the cord or yank to disconnect from an outlet; instead grasp the plug and pull to disconnect.
7. Keep charger cord away from heated surfaces.
8. This product includes rechargeable nickel cadmium batteries. These batteries must be recycled or disposed of properly. **Do not incinerate batteries or expose to high temperatures.** as they may explode.
9. Do not handle plug or appliance with wet hands.
10. Do not put any object into openings. Do not use with any opening blocked; keep free of dust, lint, hair and anything that may reduce air flow.
11. Keep hair, loose clothing, fingers, and all parts of body away from openings and moving parts.
12. Do not pick up anything that is burning or smoking, such as cigarettes, matches, or hot ashes.
13. Do not attempt to change accessories while unit is running.
14. Use extra care when cleaning on stairs.
15. Do not use to pick up flammable or combustible liquids such as gasoline or use in areas where they may be present.
16. Look on your hand vacuum and follow all label and marking instructions.
17. Do not use charger with an extension cord. Plug charger directly into an electrical outlet. Use charger only in a standard (120V~, 60Hz) electrical outlet.
18. **Do not use the hand vacuum cleaner without dust cup filter in place.**
19. Store the cordless vacuum indoors. Put the cordless vacuum away after use to prevent accidents.
20. Leaks from battery cells can occur under extreme conditions. If the liquid, which is 20-35% solution of potassium hydroxide, gets on the skin - wash immediately with soap and water or neutralize with a mild acid such as lemon juice or vinegar. If the liquid gets into the eyes, flush them immediately with clean water for a minimum of 10 minutes and seek medical attention.
21. Use only on dry, indoor surfaces.
22. Do not use for any purpose other than described in this user's guide.
23. Do not attempt to use the charger with any other product nor attempt to charge this product with another charger. **Use only the charger model AS-123C3 supplied with this appliance.**
24. The battery pack must be removed from the appliance before it is disposed of.
25. The battery pack must be disposed of properly.

**SAVE THESE INSTRUCTIONS
FOR HOUSEHOLD USE ONLY**

Rev. 01/02E

**Shark
Cordless Hand Vac
Model EP730
7.2 V DC**



- | | |
|-------------------------|-----------------------------|
| 1. Nozzle | 8. Dust Cup Release Button |
| 2. Dust Cup Compartment | 9. Charging Light Indicator |
| 3. Dust Cup Filter | 10. 180° Swivel Handle |
| 4. Ventilation Slots | 11. On/Off Switch |
| 5. Battery | 12. Lower Housing |
| 6. Battery Compartment | 13. Charging Plug |
| 7. Crevice Tool | 14. Charging Base |

NOTE: Cordless vacuum Model EP730 is shipped with the batteries uncharged. Charging of the unit for 16-20 hours prior to first use is required.

BEFORE USE

1. This cordless vacuum is powered by rechargeable nickle-cadmium batteries. Before using the vacuum, charge the vacuum cleaner for a minimum of 16 hours.
NOTE: Ensure that the On/Off Switch (#11) is on the "Off" position before charging.
2. The normal full charging time for this vacuum is 16-20 hours. The vacuum cleaner will run for full operation time is it has been fully charged. Do this by running the vacuum cleaner until it stops, then fully recharge the battery.
3. Store the vacuum cleaner on the charging base when not is use so that it is always charged and ready to use.

CHARGING YOUR CORDLESS VACUUM

1. Place the charging base (#14) near an electrical power outlet and plug in.
2. Place the unit on the charging base (#14). The charging light indicator (#9) will shine red to indicate that the vacuum cleaner is properly positioned on t=on the charging base and that the unit is being charged.
NOTE: Ensure that the On/Off Switch (#11) is on the "Off" position before charging.
3. Always return the unit to the charging base (#14) immediately after use so that it will be ready and fully charged for the next time.

NOTE: Peak performance may only be realized after the unit has been charged and discharged two (2) or three (3) times.

IMPORTANT: To maintain peak performance of your cordless hand vacuum, it is recommended that the unit be fully discharged, then completely re-charged at least once a month.

ASSEMBLY

Note: Dust cup filter (#3) must always be used when operating the hand vacuum.

1. To open the dust cup compartment (#2), push the dust cup release button (#8) and remove the dust cup compartment (#2).
Verify that the dust cup filter (#3) is inside, then re-attach the dust cup container (#2) to the hand vacuum.
2. The crevice tool (#7) is located inside the swivel handle (#10). To attach the crevice tool (#7) to the Hand Vacuum, remove from inside the handle and insert the large end of the crevice tool into the nozzle (#1).

USING YOUR CORDLESS VACUUM

1. Remove the vacuum cleaner from the charging base (#14).
2. To start the unit, press the On/Off Switch to the On position.
3. To stop the vacuum cleaner, press the On/Off Switch to the Off position.
4. The vacuum cleaner is equipped with a 180° Swivel Handle (#10) for convenient operation.
5. A crevice tool (#7) is provided for cleaning narrow, hard to reach places. This tool is conveniently stored inside the swivel handle.

IMPORTANT

When the vacuum cleaner is operating, the LED lights up which means that the battery is low and the unit should be recharged.

CHANGING & CLEANING THE DUST CUP FILTER

To achieve the best performance, empty the dust cup container (# 2) and clean the dust cup filter (# 3) after each use.

1. To open the dust cup compartment (#2), press down on the dust cup release button (#8) and pull out the dust cup compartment (#2).
2. Pull out the dust cup filter (#3).
3. Empty the dust from the dust cup compartment (#2).
4. Rinse the dust cup filter (#3) in cold water, and then wait until it dries completely before replacing it into the dust cup compartment (#2).
5. Replace the dust cup filter (#3) carefully into the dust cup compartment (#2). **NEVER** operate vacuum cleaner without dust cup filter (#3) in place.
6. Attach the dust cup compartment (#2) to the cordless vacuum.

NOTE: It is recommended that the dust cup filter be changed every three (3) months to ensure peak performance of the unit.

CAUTION: The suction hole must be open, free of any obstructions at all times. Otherwise, the motor will overheat and could become damaged.

BATTERY PACK REPLACEMENT

NOTE: If uncertain as to how to change your battery pack, we suggest you take your vacuum to a reputable small appliance service technician to have this service performed.

This vacuum cleaner is equipped with Ni-Cd batteries and you need to dispose of them properly. When the batteries are no longer good for use, they must be removed from the vacuum cleaner for disposal. Do not remove the batteries for any reason other than disposal of them.

The battery pack of your EP730 is replaceable, however care should be taken when doing so. Follow these steps when replacement is required:

1. Open the battery compartment (#6), by removing the single, Phillips head screw located at the rear of the unit. **NEVER** open battery compartment (#6) except to change the battery when required.
2. Remove battery compartment cover. Set aside battery compartment cover and screw.
3. Lift out old battery pack and set aside.
4. Carefully detach the two (2) electrical connectors from the battery pack by pulling straight away from the battery.
5. Re-connect terminals by pushing lead wires onto battery tabs and insert new battery pack in battery compartment and.
6. Tuck wiring inside battery compartment so that the wiring does not interfere with the battery compartment cover when it is replaced.
7. Re-install the battery compartment cover ensuring that the locating tabs engage the body of the unit.
8. Replace the battery compartment cover screw.

CAUTION

- Use only with the battery pack supplied with the unit.
- Do not attempt to remove the battery pack from the unit to charge it.
- Never attempt to throw the battery pack or unit into a fire or incinerate it.
- Do not attempt to remove or damage the battery casing.
- Battery must be recycled or disposed of properly at the end of its service life.

WARNING: **NEVER** use ordinary batteries for replacement, as these may leak and damage your vacuum cleaner.

CAUTION: **NEVER** use the unit without the battery compartment cover in place.

BATTERY DISPOSAL

This vacuum cleaner contains a nickel-cadmium (Ni-Cd) batteries and must be disposed of properly. Call your nearest recycling center for information on the recycling and disposal of nickel-cadmium (Ni-Cd) batteries

TROUBLESHOOTING GUIDE		
PROBLEM	POSSIBLE REASON	POSSIBLE SOLUTION
HAND VACUUM WILL NOT OPERATE	<ol style="list-style-type: none"> 1. Batteries discharged. 2. No power in electrical outlet supplying transformer. 3. Unit needs servicing. 	<ol style="list-style-type: none"> 1. Charge unit. 2. Check fuse or breaker. Replace fuse/reset breaker. 3. Call 514-842-8691
HAND VACUUM WILL NOT PICK-UP OR SUCTION POWER IS WEAK	<ol style="list-style-type: none"> 1. Dust cup container is full. 2. Dust cup filter needs cleaning. 3. Unit needs recharging. 	<ol style="list-style-type: none"> 1. Empty dust cup container – (see page 3). 2. Remove dust cup filter and check for object(s) in air duct and remove. Clean or replace dust cup filter. (see page 3). 3. Charge unit.
DUST ESCAPING FROM HAND VACUUM	<ol style="list-style-type: none"> 1. Dust cup container is full. 2. Dust cup filter is not installed correctly. 3. Puncture/hole in dust cup filter. 	<ol style="list-style-type: none"> 1. Empty dust cup container. 2. Review dust cup filter installation instructions. (see page 3) 3. Replace dust cup filter. (see page 3)

TO ORDER REPLACEMENT DUST CUP FILTERS OR REPLACEMENT BATTERY PACKS for Model EP730

To order, send check, money order or credit card authorization to:

USA: **EURO-PRO** Corporation
178 West Service Rd.
Champlain, NY 12919

Canada: **EURO-PRO** Corporation
4400 Bois Franc
St. Laurent, QC H4S 1A7

For Customer Service or information, call:

In U.S.: 800-798-7398

In Canada: 800-361-4639
514-842-8691

Monday to Friday 8:30 A.M. - 5:00 P.M. Eastern Standard Time

Visit our website at: www.sharkvac.com

Please Note:

The Dust Cup Filter is washable. It should, however, be replaced every three months to ensure peak performance of your vacuum.

Important:

Make sure that Dust Cup Filter is completely dry before re-installing back in the hand vacuum.



ONE (1) YEAR LIMITED WARRANTY

EURO-PRO CORPORATION warrants this product to be free from defects in material and workmanship for a period of one (1) year from the date of the original purchase, when utilized for normal household use, subject to the following conditions, exclusions and exceptions.

If your appliance fails to operate properly while in use under normal household conditions within the warranty period, return the complete appliance and accessories, freight prepaid to

In US: **EURO-PRO** Corporation, 178 West Service Rd., Champlain, N.Y. 12919
In Canada: EURO-PRO Corporation, 4400 Bois Franc, St. Laurent, QC, H4S 1A7

If the appliance is found by **EURO-PRO** to be defective in material or workmanship, **EURO-PRO** will repair or replace it free of charge. Proof of purchase date and \$ 9.95 to cover the cost of return shipping and handling must be included. *

Non-durable parts including, without limitation, dust cup filters, filters, brushes and electrical parts which normally require replacement are specifically excluded from warranty.

The liability of **EURO-PRO** Corporation is limited solely to the cost of the repair or replacement of the unit at our option. This warranty does not cover normal wear of parts and does not apply to any unit that has been tampered with or used for commercial purposes. This limited warranty does not cover damage caused by misuse, abuse, negligent handling or damage due to faulty packaging or mishandling in transit. This warranty does not cover damage or defects caused by or resulting from damages from shipping or repairs, service or alterations to the product or any of its parts, which have been performed by a repair person not authorized by **EURO-PRO**.

This warranty is extended to the original purchaser of the unit and excludes all other legal and/or conventional warranties. The responsibility of **EURO-PRO** Corporation if any, is limited to the specific obligations expressly assumed by it under the terms of the limited warranty. **In no event** is **EURO-PRO** Corporation liable for incidental or consequential damages of any nature whatsoever. Some states do not permit the exclusion or limitation of incidental or consequential damages, so the above may not apply to you.

This warranty gives you specific legal rights, and you may also have other rights which vary from state to state.

***Important: Carefully pack item to avoid damage in shipping. Be sure to include proof of purchase date and to attach tag to item before packing with your name, complete address and phone number with a note giving purchase information, model number and what you believe is the problem with item. We recommend you insure the package (as damage in shipping is not covered by your warranty). Mark the outside of your package "ATTENTION CUSTOMER SERVICE".**



••

OWNERSHIP REGISTRATION CARD

Please fill out and mail the product registration card within ten (10) days of purchase in order to validate the foregoing Limited Warranty. The registration will enable us to contact you in the unlikely event of a product safety notification. By returning this card you acknowledge to have read and understood the instructions for use, and warnings set forth in the accompanying instructions.

RETURN TO EURO-PRO CORPORATION, 178 WEST SERVICE RD., CHAMPLAIN, N.Y. 12919
IN CANADA: 4400 BOIS FRANC, ST. LAURENT, QUEBEC, H4S 1A7

Appliance model

Date purchased Name of store

Owner's name

Address City Prov./State Postal code/Zip Code

Free Manuals Download Website

<http://myh66.com>

<http://usermanuals.us>

<http://www.somanuals.com>

<http://www.4manuals.cc>

<http://www.manual-lib.com>

<http://www.404manual.com>

<http://www.luxmanual.com>

<http://aubethermostatmanual.com>

Golf course search by state

<http://golfingnear.com>

Email search by domain

<http://emailbydomain.com>

Auto manuals search

<http://auto.somanuals.com>

TV manuals search

<http://tv.somanuals.com>