

# Shark®

OWNER'S GUIDE

---

NH15

---

NH15C

---

NH15W

---



# IMPORTANT SAFETY INSTRUCTIONS SAVE THESE INSTRUCTIONS

## For Household Use Only

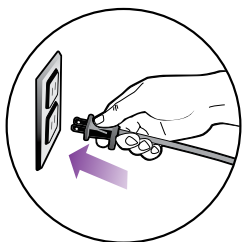
**WHEN USING AN ELECTRICAL APPLIANCE, BASIC SAFETY PRECAUTIONS SHOULD ALWAYS BE OBSERVED, INCLUDING THE FOLLOWING:**

**READ ALL INSTRUCTIONS BEFORE USING YOUR SHARK MULTI-VAC VACUUMING SYSTEM.**

### **POLARIZED PLUG:**

To reduce the risk of electric shock, this appliance has a polarized plug (one blade is wider than the other). As a safety feature, this plug will fit into a polarized outlet only one way. If the plug does not fit fully into the outlet, reverse the plug. If it still does not fit, contact a qualified electrician.

**DO NOT force into outlet or try to modify to fit.**



**⚠ WARNING:** To reduce the risk of electric shock or injury, do not use outdoors or on wet surfaces.

**WARNING -TO REDUCE THE RISK OF FIRE, ELECTRIC SHOCK OR INJURY:**

### **GENERAL ELECTRICAL SAFETY:**

1. Unplug from electrical outlet when not in use and before servicing.
2. **DO NOT** use vacuum with a damaged cord or plug. If appliance is not working as it should, has been dropped, damaged, left outdoors, or dropped into water, return it to EURO-PRO Operating LLC for examination, repair, or adjustment.
3. **DO NOT** pull or carry vacuum by the cord.
4. **DO NOT** unplug by pulling on cord; to unplug, grasp the plug, not the cord.
5. **DO NOT** pull vacuum by the cord.
6. **DO NOT** handle plug or appliance with wet hands.
7. **DO NOT** run the vacuum over the power cord.
8. **DO NOT** use the cord as a handle.
9. **DO NOT** close a door on the cord.
10. **DO NOT** pull cord around sharp corners. The use of an extension cord is not recommended.
11. **DO NOT** leave appliance when plugged in.
12. Keep cord away from heated surfaces.
13. Turn off all controls before plugging or unplugging vacuum cleaner.
14. Store your appliance with the power cord secured around the two cord holders—as shown in the Storage instructions

### **HOSE ATTACHMENTS:**

1. **DO NOT** use if air flow is restricted; if the air paths, the hose, or the accessories become blocked, turn the vacuum cleaner off. Remove all obstructions before you turn on the unit again.
2. Keep the end of the hose and accessory openings away from face and body.
3. Keep cleaning tools and hose suction openings away from hair, face, fingers, uncovered feet, or loose clothing.
4. Only use manufacturer's recommended attachments.

### **GENERAL USE:**

1. Use only as described in this manual.
2. **DO NOT** put any objects into openings. **DO NOT** use with any opening blocked; keep free of dust, lint, hair, and anything that may reduce air flow.
3. Keep your work area well lit.
4. Keep the vacuum moving over the carpet surface at all times to avoid damaging the carpet fibers.
5. **DO NOT** place vacuum on unstable surfaces such as chairs or tables.
6. **DO NOT** allow young children to operate the vacuum or use as a toy. Close attention is necessary when used by or near children.
7. **DO NOT** use vacuum cleaner if it has been dropped, damaged, left outdoors, or submerged in water. Return to EURO-PRO Operating LLC for examination, repair, or adjustment.
8. **DO NOT** use without dust cup and/or filters in place.

### **DUST CUP/FILTERS/ACCESSORIES:**

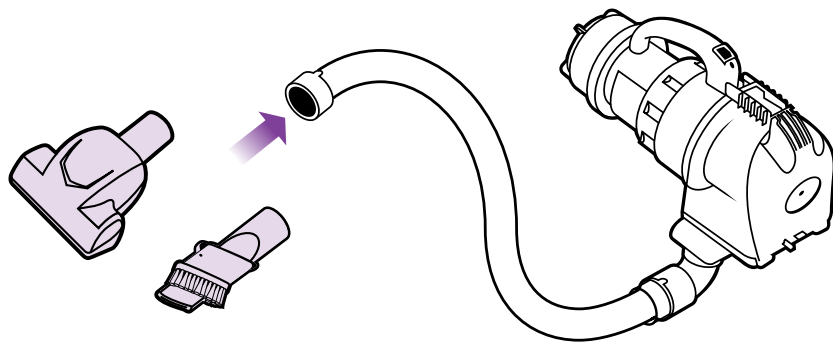
1. Before turning on the vacuum:
  - Make sure that all filters are thoroughly dry after routine cleaning.
  - Make sure that dust cup and all filters are in place after routine maintenance.
  - Make sure accessories are free of blockages.
  - Only use filters and accessories provided by EURO-PRO Operating LLC. [Failure to do so will void the warranty.]

### **GENERAL CLEANING:**

1. **DO NOT** run the vacuum over large-sized objects.
2. **DO NOT** pick up hard or sharp objects such as glass, nails, screws or coins that could damage the vacuum cleaner.
3. **DO NOT** pick up smoking or burning objects such as hot coals, cigarette butts, or matches.
4. **DO NOT** pick up flammable or combustible materials such as lighter fluid, gasoline, or kerosene or use vacuum in areas where they may be present.
5. **DO NOT** pick up toxic solutions such as chlorine bleach, ammonia, or drain cleaner.
6. **DO NOT** use in an enclosed space where vapors are present from paint, paint thinner, moth-proofing substances, flammable dust or other explosive or toxic materials.
7. **DO NOT** vacuum up any liquids.
8. **DO NOT** immerse vacuum cleaner in water or other liquids.
9. **DO NOT** use outdoors or on wet surfaces; use only on dry surfaces.
10. Use extra care when cleaning on stairs.

## Quick Start

Three different modes –all with constant suction power. Your Multi-Vac converts, pivots, and bends to meet all your cleaning needs



### 1 HAND VAC

Use the Hand Vac as a standalone vacuum or with flexible hose and cleaning tools:

Hand Vac for spot-cleaning floor spills and large piles of debris

With Flexible Hose and Pet Hair Power Brush for above-the-floor cleaning

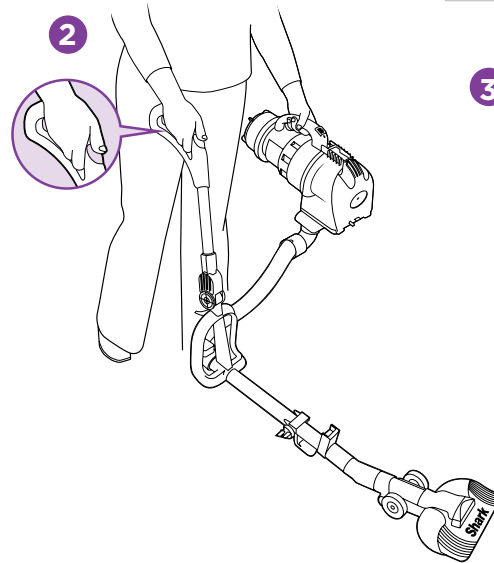
With 2-in-1 Crevice/Dusting Tool for hard-to-reach places such as corners and under radiators

### 2 PORTABLE CANISTER

Connect the Hand Vac to the Flexible Hose and Backsaver™ Wand to extend your reach:

**BACKSAVER™** Wand bends under furniture and other hard-to-reach floor spaces while you stand upright.

**NOTE:** Always turn power off before attaching or detaching Hand Vac and accessories.



### 3 STICK VAC

Attach the Hand Vac to the Shark Backsaver™ Wand for even more cleaning flexibility:

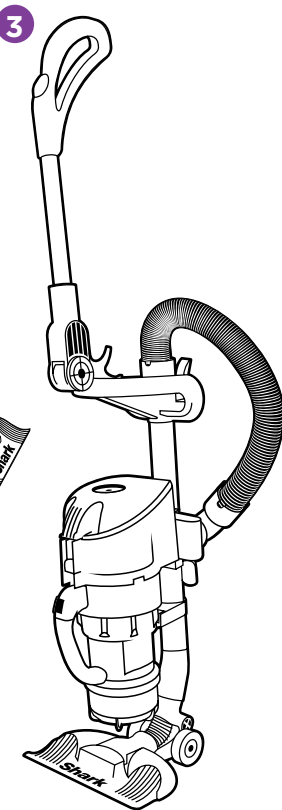
Upright vacuuming – floors and carpets

Swivel Floor Nozzle pivots for effortless steering. The unique widebrow nozzle picks up large piles of debris.

TIPS

### NO MORE BENDING!

Use the Shark Backsaver™ wand on portable canister mode to reach low while you stand upright.

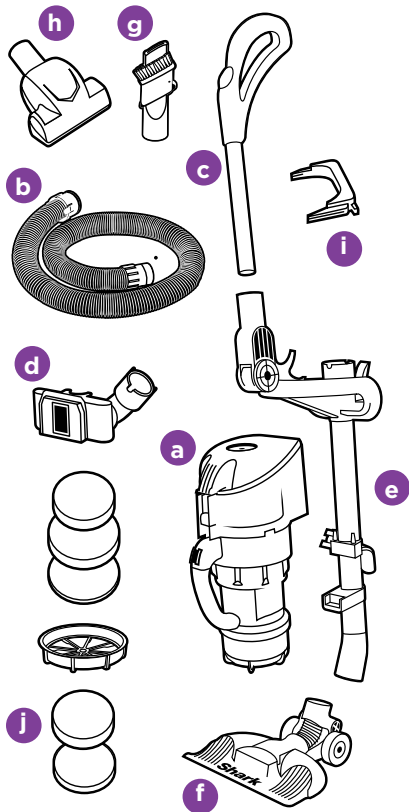


# Contents

Thank you for  
purchasing  
the Shark®  
Multi-Vac.

- Getting Started .....2
- Mode 1: Hand Vac.....3
- Mode 2: Portable Canister .....6
- Mode 3: Stick Vac .....10
- Storage.....14
- Maintenance.....15
- Troubleshooting Guide .....18
- Checking for Blockages.....20
- Warranty and Registration .....21



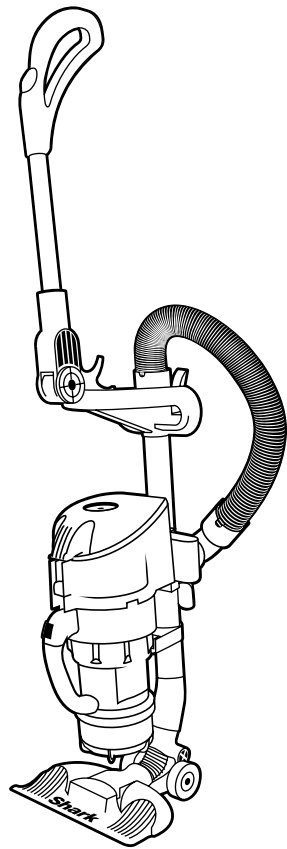


- a Hand Vacuum
- b Flexible Stretch Hose
- c Backsaver™ Handle
- d Hose Mount
- e Backsaver™ Wand
- f Shark™ Widebrow Floor Nozzle with Swivel Steering
- g 2-in-1 Crevice/Dusting Tool
- h Pet Hair Power Brush
- i Air Dam (Hand Vac Mode)
- j Filters

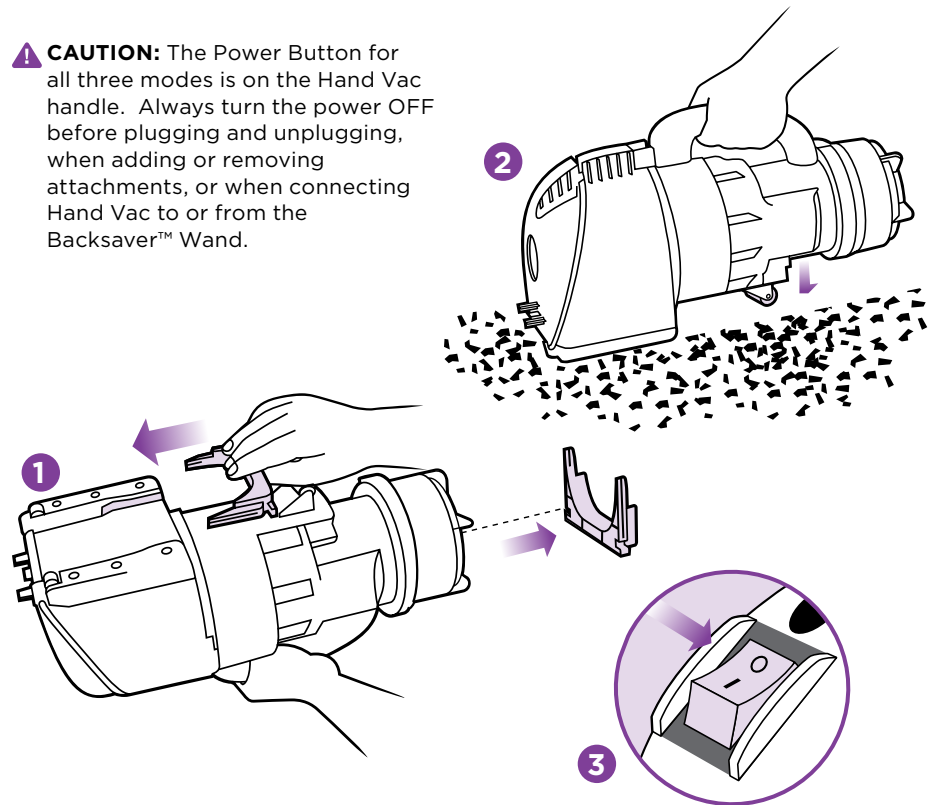
- g 2-in-1 Crevice/Dusting Tool
- h Pet Hair Power Brush
- i Air Dam (Hand Vac Mode)
- j Filters

### TECHNICAL SPECIFICATIONS

Voltage: 120V., 60Hz.  
Power: 800 Watts



**CAUTION:** The Power Button for all three modes is on the Hand Vac handle. Always turn the power OFF before plugging and unplugging, when adding or removing attachments, or when connecting Hand Vac to or from the Backsaver™ Wand.

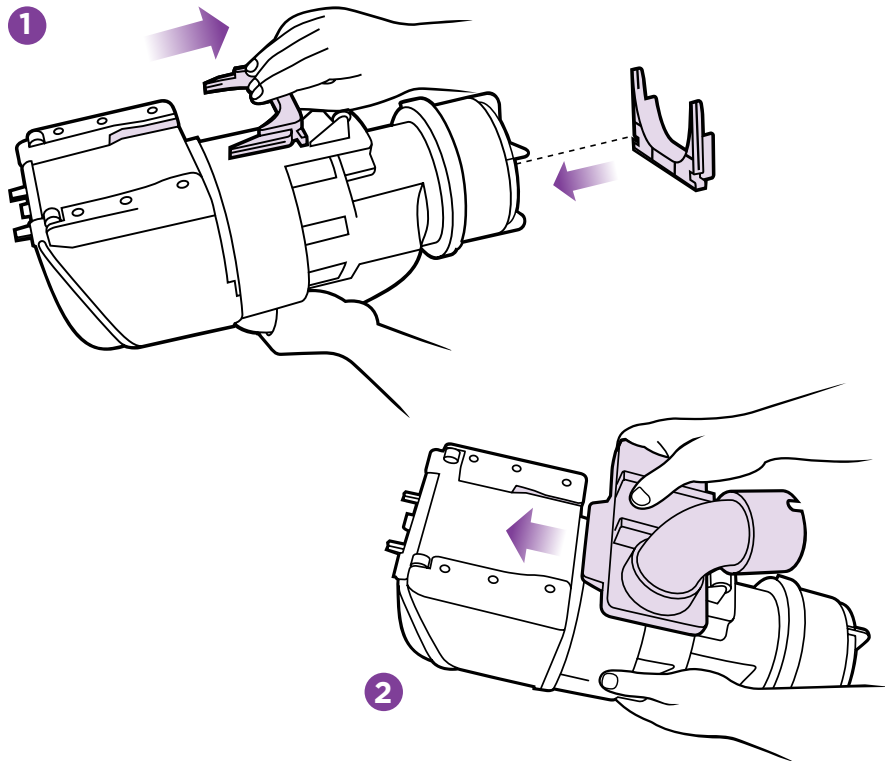


### STANDALONE HAND VAC

You can use the standalone Hand Vac for spot-cleaning, and large particle pick-up.

- 1 Slide pointed ends of Air Dam (U-shaped bracket) into tracks on either side of the inlet opening on the bottom of the Dust Cup. Press firmly to ensure that Air Dam is in place.
- 2 When ready to vacuum, make sure all three wheels are resting on the ground. This allows the Air Dam to guide debris to inlet opening.
- 3 While holding Hand Vac, press Power Button to begin cleaning. Hold Hand Vac to turn off the Power Button.
- 5 Empty Dust Cup after cleaning and periodically during cleaning when it appears full. (See "Maintenance" section for instructions.)

## Mode 1: Hand Vac Accessories



### HAND VAC WITH HOSE AND ACCESSORIES

For cleaning and dusting above-the-ground and for hard-to-reach places:

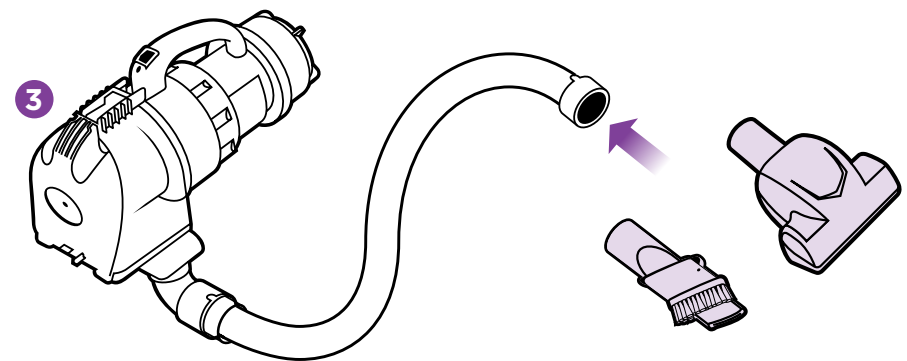
- 1 Slide Air Dam from underside of Dust Cup and store in the slot on the exhaust filter cover.
- 2 Slide Hose Mounting Plate into grooves on the underside of the Dust Cup so that Hose Mount assembly covers the inlet on Hand Vac.
- 3 Click the shorter end of the Flexible Hose into Hose Mount.

Attach cleaning tool to the other end of the Hose:

- Pet Hair Power Brush or
  - 2-in-1 Crevice/Dusting Tool
- 4 While holding Hand Vac, turn on Power Button to begin cleaning.
  - 5 Hold Hand Vac to turn off Power Button
  - 6 Empty Dust Cup after cleaning and periodically during cleaning when it appears full. (See "Maintenance" section for instructions.)

TIPS

To remove and store Air Dam: grip the center of the Air Dam and slide out of tracks. Store Air Dam in the slot on the Hand Vac exhaust filter cover.



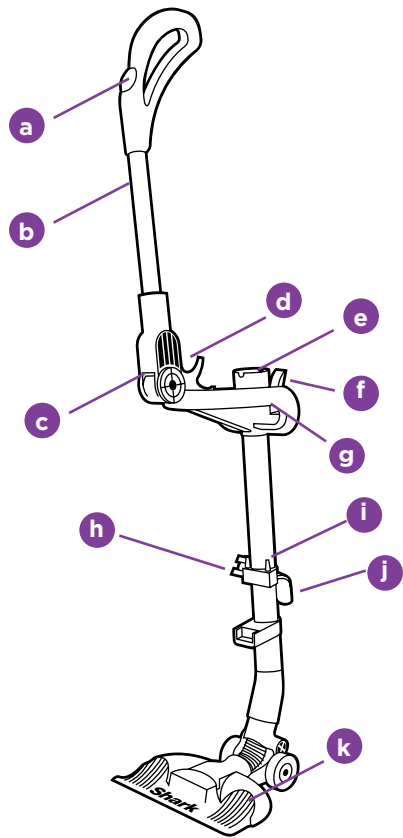
**SUPER FLEXIBLE HOSE:** With the right cleaning tool in place and this flexible hose, you can extend your reach into hard-to-clean areas.

**2-IN-1 CREVICE/DUSTING TOOL:** This tool allows you to reach into narrow cleaning spaces, between cushions, under radiators and baseboards, or hard-to-reach corners; it also allows you to dust a variety of surfaces from furniture and window blinds to lamp shades and book shelves. In addition, the nylon bristles make the tool safe to use on most fabric surfaces.

**PET HAIR POWER BRUSH :** This unique tool was engineered for fast and easy removal of pet hair and ground-in dirt from carpeted stairs and upholstery.

**⚠ NOTE:** Use hose without tools for large debris cleaning.

# Mode 2: Portable Canister



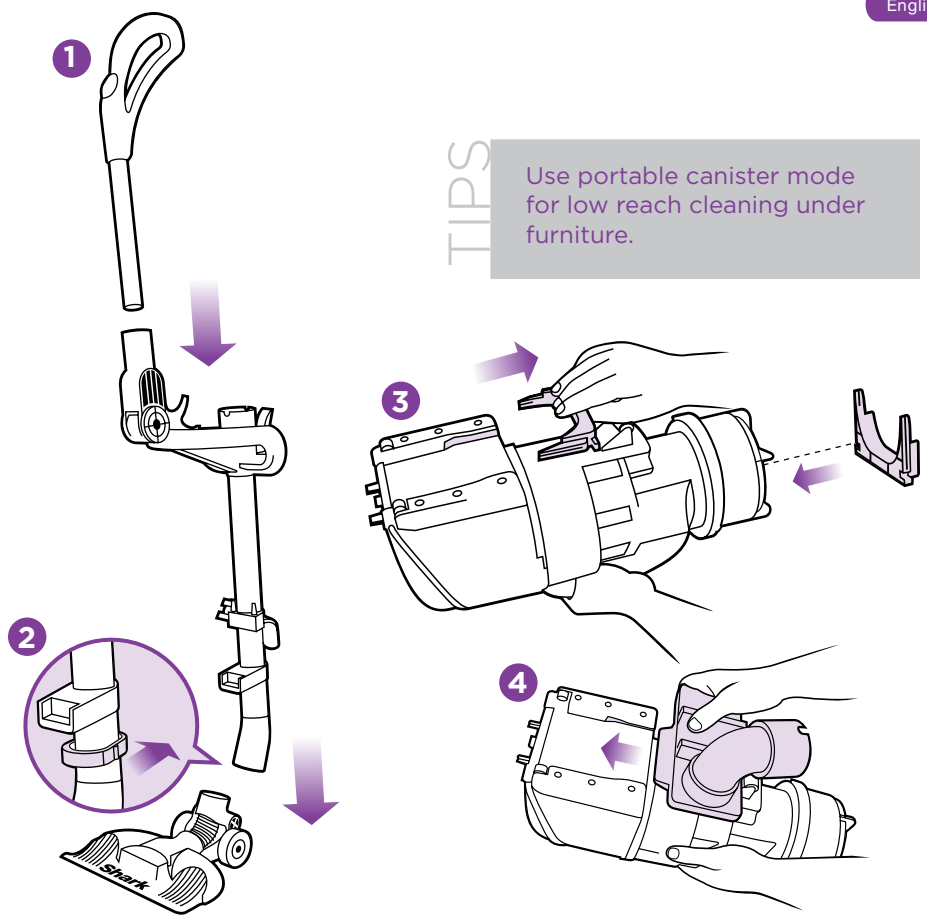
⚠ You can combine the Hand Vac with the Flexible Hose and the Backsaver™ Wand to create a versatile cleaning tool.

### GETTING TO KNOW THE BACKSAVER™ WAND ASSEMBLY:

- a Backsaver™ Handle Release Button
- b Backsaver™ Handle
- c Hinged Elbow
- d Pet Hair Power Brush Holder
- e Top Hose Connection
- f Top Cord Wrap Holder

- g Cord Guide ( for stick Mode)
- h Locking Dial
- i Hand Vac Mount Pins
- j Bottom Cord Wrap Holder
- k Floor Nozzle

⚠ **CAUTION:** The Power Button for all three modes is on the Hand Vac handle. Always turn the power OFF before plugging and unplugging, when adding or removing attachments, or when connecting Hand Vac to or from the Backsaver™ Wand.



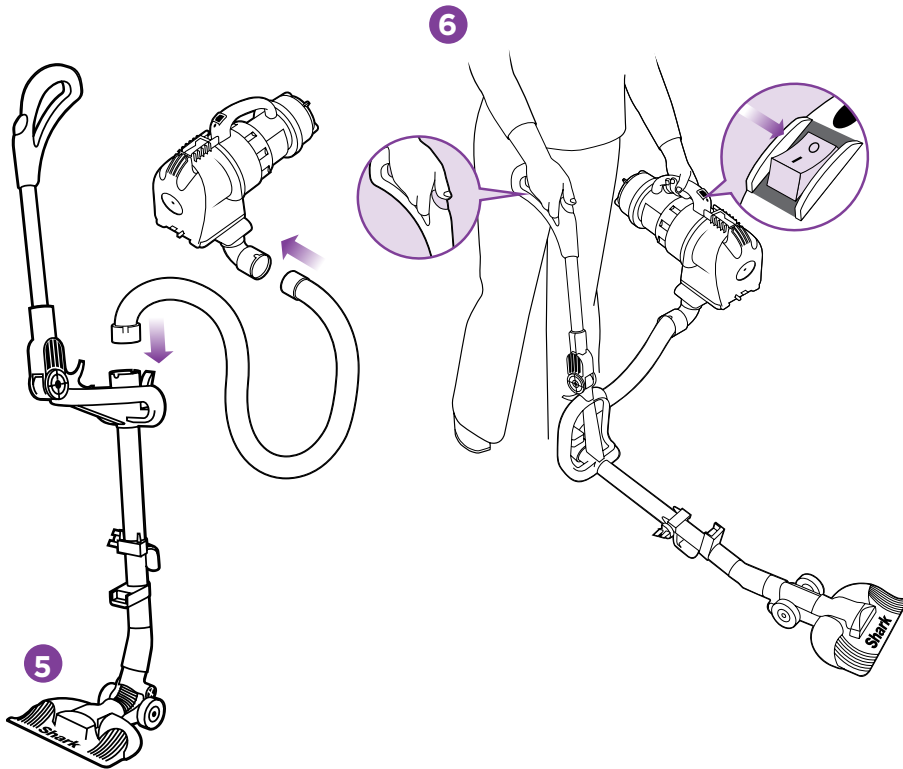
**TIPS**  
Use portable canister mode for low reach cleaning under furniture.

### PORTABLE CANISTER BACKSAVER™ MODE: FOR LOW-REACH CLEANING:

- 1 To assemble the Backsaver™ Wand for the first time, grip the Backsaver™ Handle and slide the wand into the channel above the hinged elbow—so that the Backsaver™ Handle Release button faces in the same direction as the Floor Nozzle. Snap the wand into place.
- 2 Slide Backsaver™ wand into floor nozzle and push tab to lock in place.

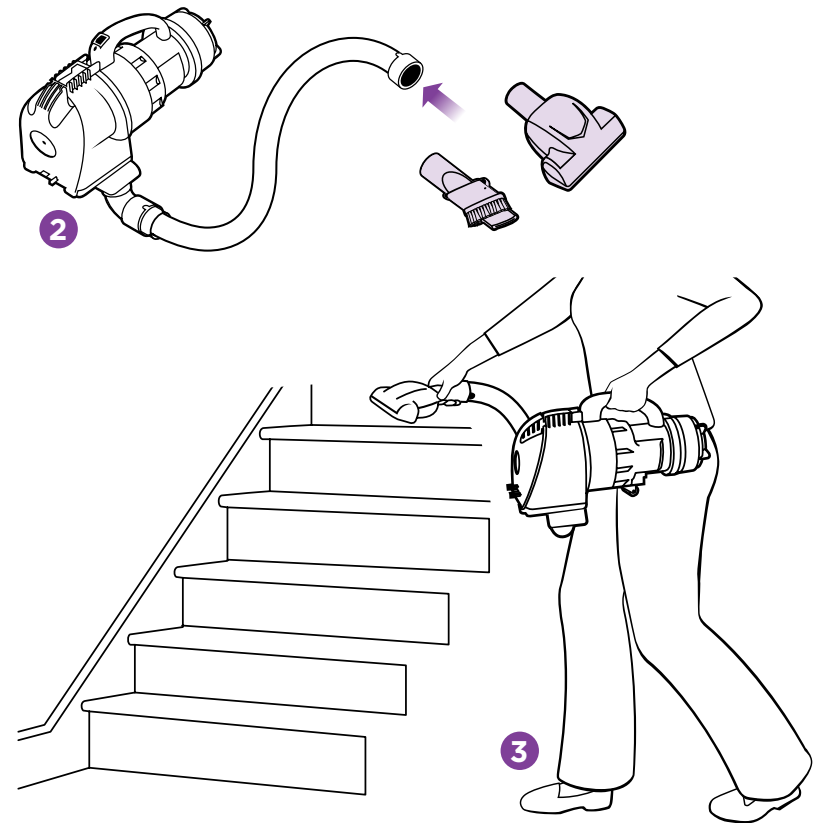
- 3 Remove Air Dam from Hand Vac and place the Air Dam in the slot on the Hand Vac exhaust filter cover.
- 4 Slide Hose Mounting Plate onto Hand Vac so that inlets are aligned.

## Mode 2: Portable Canister



- 5 Attach the shorter end of Flexible Hose to Hose Mounting Plate. Attach the other end of the hose to the Hose Mount on the Backsaver™ Wand.
- 6 Place foot on Floor Nozzle to release from locked position and pull handle towards you. Push the Backsaver™ Handle Release Button.
- 7 Hold Hand Vac in one hand; guide the Backsaver™ Wand with the other.
- 8 Press the Hand Vac Power Button to begin cleaning.

- 9 Turn off the Power Button.
  - 10 Empty Dust Cup after cleaning and empty Dust Cup periodically during cleaning when it appears full. (See “Maintenance” section for instructions.)
- NOTE:** Because of the powerful suction of the Multi-Vac, take care when cleaning scatter-type rugs and carpets with more delicate edges.

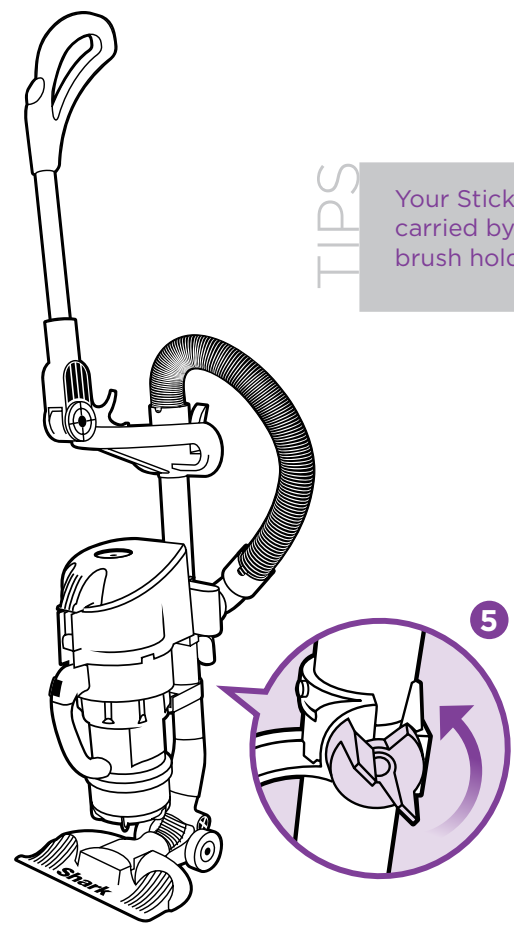
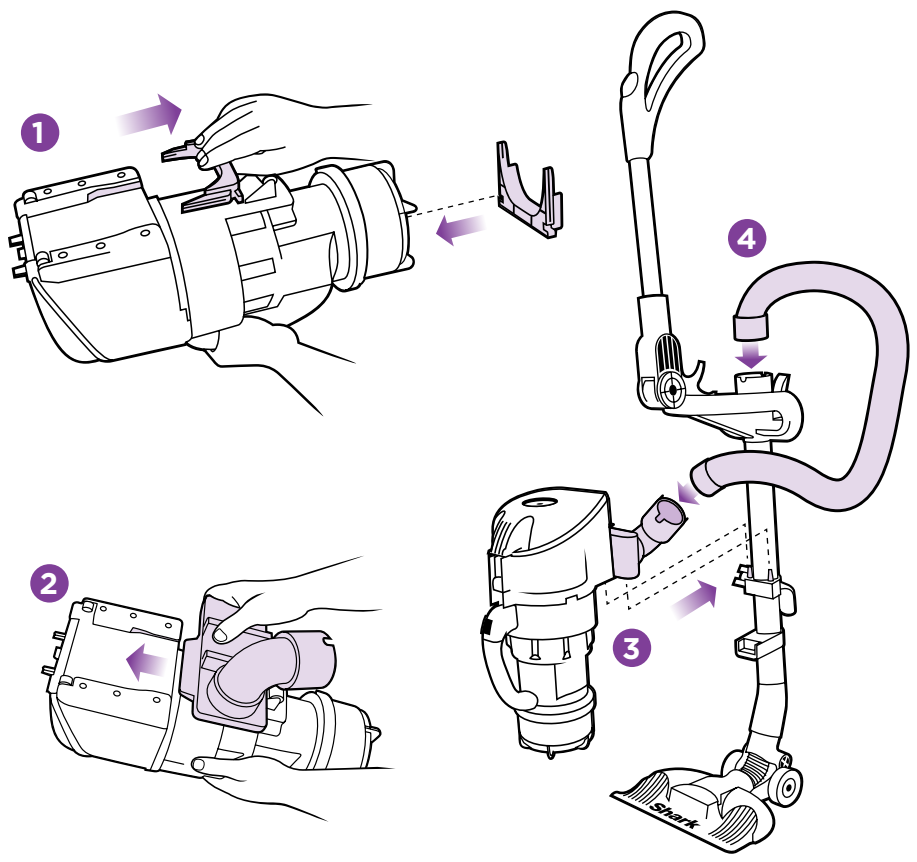


### PORTABLE CANISTER MODE: FOR ABOVE-THE-FLOOR CLEANING:

- 1 Unclip the end of the hose that is attached to the Backsaver™ Wand
- 2 Depending on your cleaning needs:
  - Attach the Pet Hair Power Brush to vacuum furniture or
  - Attach the 2-in-1 Crevice/ Dusting Tool to vacuum hard-to-reach places.
- 3 Hold Hand Vac in one hand and use the other hand to guide the cleaning tool.
- 4 Hold Hand Vac in one hand and use the other hand to guide the cleaning tool.
- 5 Turn off the Power Button and empty Dust Cup after cleaning and periodically during cleaning when it appears full. (See “Maintenance” section for instructions.)



### Mode 3: Stick Vacuum



**TIPS**  
Your Stick vacuum can be carried by the pet hair power brush holder.

**CAUTION:** The Power Button for all three modes is on the Hand Vac handle. Always turn the power OFF before plugging and unplugging, when adding or removing attachments, or when connecting Hand Vac to or from the Backsaver™ Wand.

#### STICK VAC

In Stick Vacuum Mode, you have constant suction power with the added swivel steering capabilities of the Shark® Swivel Floor Nozzle:

- 1 Remove Air Dam from Hand Vac and place the Air Dam in the slot on the Hand Vac exhaust filter cover.
- 2 Slide Hose Mounting Plate into grooves on the underside of the Dust Cup so that Hose Mount assembly covers the inlet on Hand Vac.

- 3 With the Dust Cup end facing upward, guide the attached Hose Mounting plate onto the two pins on either side of the Backsaver™ Wand.

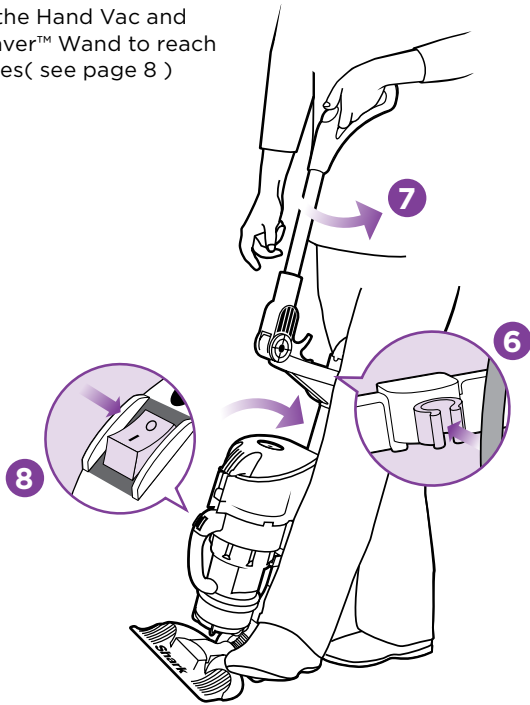
- 4 Snap the shorter end of the Flexible Hose into lower connection on the Hand Vac (both Hose ends are the same).  
Snap other end of the Flexible Hose to upper connection on Backsaver™ Wand.

The single wheel of the Hand Vac fits into the holder just below the pins.

- 5 Tighten the Hand Vac Locking Dial to secure onto Backsaver™ Wand.

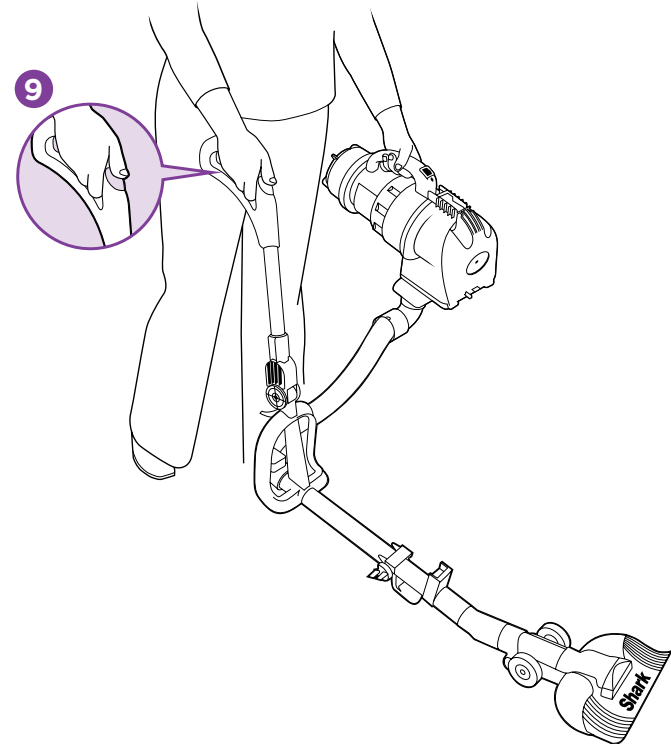
## Mode 3: Stick Vacuum

**NOTE:** While in Stick Vacuum mode, you can detach the Hand Vac and bend the Backsaver™ Wand to reach under tight spaces ( see page 8 )

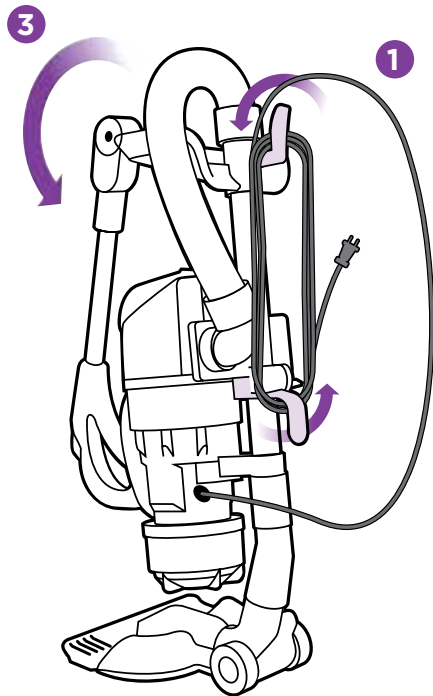


- 6 Secure Power Cord in power clip guide, to keep cord out of the way while cleaning.
- 7 Place foot on the floor nozzle and pull handle towards you to release upright lock.
- 8 Press Power Button on Hand Vac handle to start cleaning.
- 9 When you need to reach under furniture, convert to portable canister mode to use the Backsaver™ Handle.
- 10 Return Hand Vac to Backsaver™ wand to continue vacuuming in Stick Vac mode.

- 11 Turn off the power. Empty Dust Cup after cleaning and periodically during cleaning when it appears full. (See "Maintenance" section for instructions.)
- NOTE:** Because of the powerful suction of the Multi-Vac, take care when cleaning scatter-type rugs and rugs with more delicate edges.



- 1 Turn power off.
  - 2 Click Hose from upper Hose connection.
  - 3 Attach Pet Hair Power Brush or 2-in-1 Crevice/Dusting Tool.
  - 4 Press Power Button and vacuum.
  - 5 Turn power off before returning Hose to Backsaver™ Wand.
- NOTE:** While in Stick Vacuum mode, you can also detach the top end of the hose for above-the-floor cleaning or when trying to reach under radiators and other tight spaces.
- NOTE:** Hold the Backsaver™ Handle when detaching the top end of the hose.
- NOTE:** DO NOT use Backsaver™ wand while in Stick Vacuum Mode



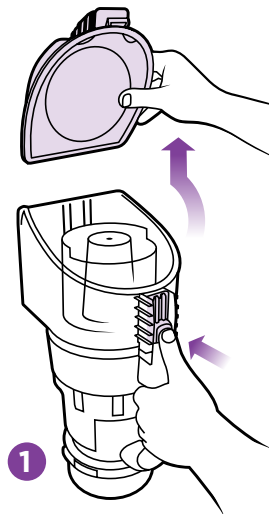
### STORAGE

Your Multi-Vac can be stored as a compact unit with the Hand Vac attached ( see “Mode 3: Stick Vac Assembly”):

- 1 Wrap cord around cord holders and secure plug.
- 2 Grip Backsaver™ Handle and roll unit to storage area. Press Backsaver™ Handle Release Button to unlock top section of Backsaver™ Handle.
- 3 Guide top section of Backsaver™ Wand forward toward the canister.
- 4 Roll into storage area.

**NOTE:** Empty dustcup prior to storing your Multi-Vac ( see maintenance section for instructions)

COMPONENT	MAINTENANCE SCHEDULE
1 Dust Cup	Empty each time you clean.
2 Pre-Motor Filters (3)	Rinse and dry every 1 month under normal use.
3 Post-Motor Filters (2)	Rinse and dry post motor foam every 6 months. DO NOT rinse post motor woven filter.



### TO EMPTY DUST CUP:

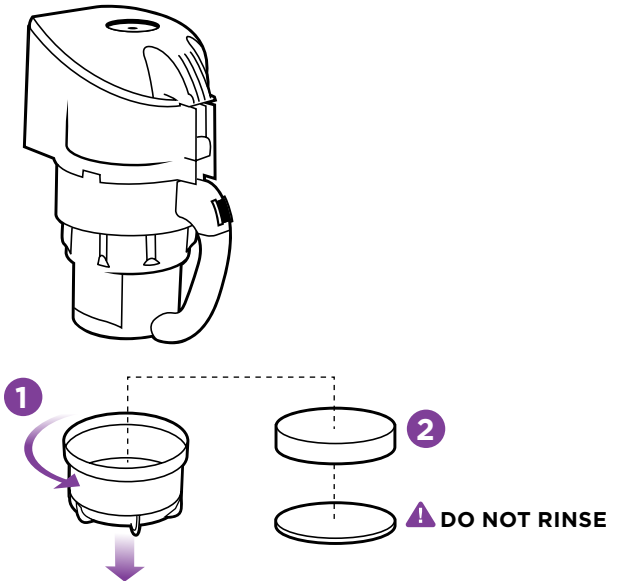
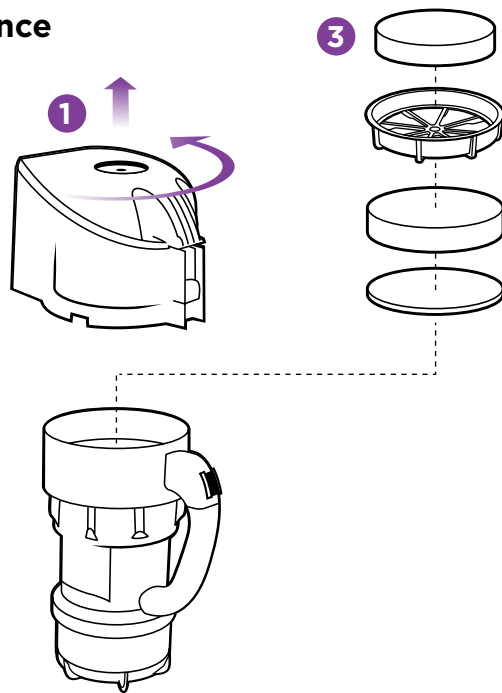
Regardless of what mode you use, the Dust Cup needs to be emptied each time you vacuum and periodically during cleaning, when the dust cup appears full.

**NOTE:** If Hand Vac is attached to Hose and Backsaver™ Wand in Stick Vac mode, remove Hand Vac first before emptying contents.



- 1 Hold Hand Vac upright.
- 2 Press Dust Cup Release Button to remove door. Lift door off hinges and set door aside.
- 3 Turn Dust Cup over a trash receptacle and tap gently to empty contents.
- 4 Hold Hand Vac upright once again.
- 5 Set bottom hinges of Dust Cup door into guides first; then snap door shut.
- 6 Check to make sure door is secure before turning on Hand Vac.

## Maintenance



### LIFETIME FILTERS

Your foam filters do not need replacement for the life of your vacuum. However, it is important to clean filters on both ends of Hand Vac periodically to maintain peak performance.

**⚠ DO NOT** operate the vacuum without ALL the filters in place.

**⚠ DO NOT** operate the vacuum with WET filters.

**⚠ NOTE:** The white filters will discolor over time; this is normal and will not affect the performance of the filters or the vacuum.

**⚠ NOTE:** If Hand Vac is attached to Hose and Backsaver™ Wand in Stick Vac mode, remove first before emptying contents.

### CLEANING PRE-MOTOR FILTERS:

- 1 Grip raised brackets (on either side of Dust Cup Release Button). Twist Dust Cup cylinder counter-clockwise and remove.
- 2 Set dustcup aside.
- 3 Pull out gray tray with Foam Filter insert. Pull out Foam and Felt Filters.
- 4 Rinse all filters thoroughly in lukewarm water until the water runs clear.
- 5 Squeeze filters and let air-dry for 24 hours before replacing; do not use hair dryer or other heating methods to dry.
- 6 Make sure all filters are completely dry before inserting back into canister body.

### 7 To re-insert filters:

- Place the Felt Filter into canister body first.
  - Next, place the Large Foam Filter.
  - And finally, place the Filter Frame with Small Foam Filter tucked inside.
- 8 Align locking icons of the Dust Cup cylinder with hollow arrows on the Hand Vac body. Twist clockwise to lock.
  - 10 Handle now aligns with raised brackets of Dust Cup cylinder.

### CLEANING EXHAUST FOAM FILTER:

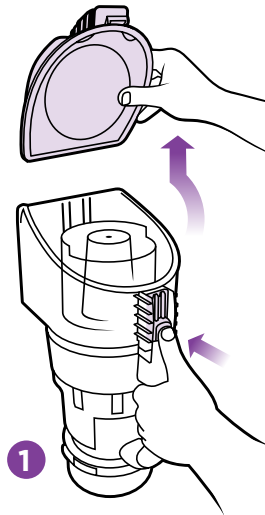
- 1 Twist air-intake end of Hand Vac counter-clockwise and remove cylinder.
  - 2 Pull out Foam Filter.
  - 3 Rinse only the foam filter thoroughly in lukewarm water until the water runs clear.
  - 4 Squeeze filter and let air-dry for 24 hours before replacing; do not use hair dryer or other heating methods to dry.
  - 5 Re-insert Foam Filter. Grip cylinder and align black arrows with hollow arrows on Hand Vac. Twist clockwise to lock.
- ⚠ DO NOT** operate the vacuum without ALL the filters in place.
- ⚠ DO NOT** operate the vacuum with WET filters.

### WHERE TO ORDER PARTS

To order additional parts and accessories, go to: [www.sharkclean.com](http://www.sharkclean.com) or call 1-800-798-7398. **NOTE:** Some parts may be available at your Shark® retailer.

PROBLEM	POSSIBLE REASONS & SOLUTIONS
<b>Vacuum is not picking up dirt.</b>	<p>Check filters to see if they need cleaning. Follow instructions for rinsing and drying the 5 filters before re-inserting back into the Hand Vac. (See "Maintenance" sections for instructions.)</p> <p>Dust cup may be full; empty dust cup.</p> <p>Check Hose and Hose connections for blockages; clear blockages if required.</p> <p>If Dust Cup is empty, and attachment inlets are clear, check for other blockages. (See "Checking for Blockages" for instructions.)</p>
<b>Vacuum lifts scatter rugs (lightweight, movable rugs).</b>	<p>Because the "multi-vac" suction is powerful, take care when vacuuming scatter-type rugs or rugs with delicately sewn edges.</p>
<b>Airflow is restricted. No suction or light suction.</b>	<p>Check filters to see if they need cleaning. Follow instructions for rinsing and drying the 5 filters before re-inserting back into the Hand Vac. (See "Maintenance" sections for instructions.)</p> <p>Dust cup may be full; empty dust cup.</p> <p>Check Hose and Hose connections for suction strength; clear blockages if required.</p> <p>If Dust Cup is empty, and attachment inlets are clear, check for other blockages. (See "Checking for Blockages" for instructions.)</p>
<b>Vacuum turns off on its own.</b>	<p>To reset the Motor Thermostat:</p> <ol style="list-style-type: none"> <li>1. Move the Power Button to the "O - Off" position.</li> <li>2. Unplug the vacuum.</li> <li>3. Check for clogged hose or filter; unclog hose and replace filter.</li> </ol> <p>Wait 45 minutes for vacuum to cool; then plug in the vacuum. Turn the Power Switch to the "I - On" position to start the vacuum.</p> <p><b>Note:</b> if vacuum still does not start, contact Customer Service at: <b>1-800-798-7398</b>.</p>

Blockages may cause your vacuum to overheat and shut down. To prevent this from happening, check potential blockage areas after heavy use or if you detect a loss of suction or poor cleaning performance.



### 1 DUST CUP - HAND VAC

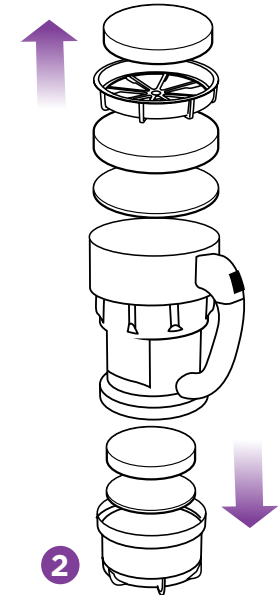
Dust cup may be full. Empty dust cup. To empty Dust Cup:

Hold Hand Vac upright. Press Dust Cup Release Button to remove door. Lift door off hinges and set door aside.

Turn Dust Cup over a trash receptacle and tap gently to empty contents.

Hold Hand Vac upright once again. Set bottom hinges of Dust Cup door into guides first; then snap door shut.

Check to make sure door is secure before turning on Hand Vac.



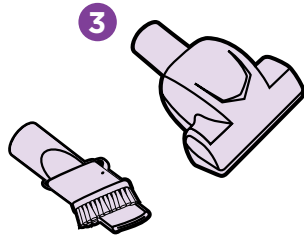
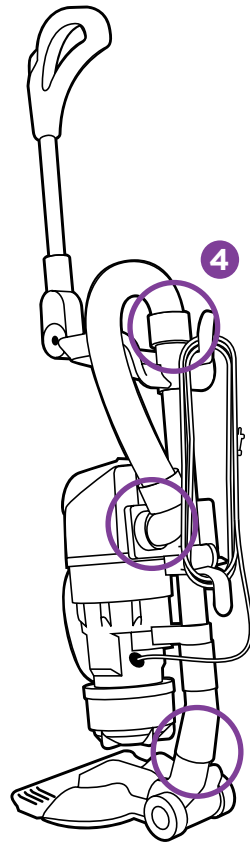
### 2 FILTERS (FOAM AND FELT)

Filters require rinsing every 1 month for optimum performance. Follow instructions for rinsing and drying the 5 filters before using. (See "Maintenance" section)

Before continuing to vacuum, replace Filters in the Hand Vac :

- Dust Cup End (Pre-Motor)
- Exhaust End (Post-Motor)

# Checking for Blockages



### 3 ACCESSORIES - CHECK INTAKE OPENINGS

- Swivel Nozzle Floor Brush [Shark]
- 2-in-1 Crevice/Dusting Tool
- Pet Hair Power Brush

**! IMPORTANT:** Damages caused while clearing or attempting to clear blockages are not covered under your product's limited warranty.

Unplug the vacuum before checking for blockages.

Reassemble all parts securely before operating vacuum.

### 4 HOSE AND HOSE CONNECTION TO CANISTER

- Remove Hose Mounting plate.
- Check the open ends of the Hose.
- Check the Hose connection on the Backsaver™ Wand.
- Check the Hand Vac inlet.

**! WARNING:** Never insert sharp objects into any opening to clear an obstruction.

# FIVE (5) YEAR LIMITED WARRANTY

**EURO-PRO Operating LLC** warrants this product to be free from defects in material and workmanship for a period of five (5) year from the date of the original purchase, when utilized for normal household use, subject to the following conditions, exclusions and exceptions.

If your appliance fails to operate properly while in use under normal household conditions within the warranty period, return the complete appliance and accessories, freight prepaid. For Customer Service support, call 1 (800) 798-7398 or visit our website [www.sharkclean.com](http://www.sharkclean.com).

If the appliance is found to be defective in material or workmanship, **EURO-PRO Operating LLC** will repair or replace it free of charge. Proof of purchase date and \$ 9.95 to cover the cost of return shipping and handling must be included. \*

The liability of **EURO-PRO Operating LLC** is limited solely to the cost of the repair or replacement of the unit at our option. This warranty does not cover normal wear of parts and does not apply to any unit that has been tampered with or used for commercial purposes. This limited warranty does not cover damage caused by misuse, abuse, negligent handling or damage due to faulty packaging or mishandling in transit. This warranty does not cover damage or defects caused by or resulting from damages from shipping or repairs, service or alterations to the product or any of its parts, which have been performed by a repair person not authorized by **EURO-PRO Operating LLC**.

This warranty is extended to the original purchaser of the unit and excludes all other legal and/ or conventional warranties. The responsibility of **EURO-PRO Operating LLC** if any, is limited to the specific obligations expressly assumed by it under the terms of the limited warranty. **In no event is EURO-PRO Operating LLC** liable for incidental or consequential damages of any nature whatsoever. Some states/provinces do not permit the exclusion or limitation of incidental or consequential damages, so the above may not apply to you.

This warranty gives you specific legal rights, and you may also have other rights which vary from state to state or province to province.

**\*Important: Carefully pack item to avoid damage in shipping. Be sure to include proof of purchase date and to attach tag to item before packing with your name, complete address and phone number with a note giving purchase information, model number and what you believe is the problem with item. We recommend you insure the package (as damage in shipping is not covered by your warranty). Mark the outside of your package "ATTENTION CUSTOMER SERVICE". We are constantly striving to improve our products, therefore the specifications contained herein are subject to change without notice.**



## OWNERSHIP REGISTRATION CARD FOR CANADIAN CONSUMERS ONLY

Please complete and return within ten (10) days of purchase. The registration will enable us to contact you in the event a product defect is discovered. By returning this card you acknowledge to have read and understood the instructions for use, and warnings set forth in the accompanying instructions.

RETURN TO: **EURO-PRO Operating LLC**, 4400 Bois Franc, St. Laurent, Quebec H4S 1A7

PURCHASER: .....

ADDRESS: .....

DATE OF PURCHASE: ..... MODEL: **NH15 NH15C NH15W** .....

NAME AND ADDRESS OF STORE: .....



U.S.: EURO-PRO Operating LLC  
Boston, MA 02465

Canada: EURO-PRO Operating LLC  
4400 Bois Franc  
Ville St. Laurent, Québec H4S 1A7

1-800-798-7398

[www.sharkclean.com](http://www.sharkclean.com)

COPYRIGHT© EURO-PRO OPERATING LLC 2009

PRINTED IN CHINA

REV. 090803

Illustrations may differ with actual product.

## Free Manuals Download Website

<http://myh66.com>

<http://usermanuals.us>

<http://www.somanuals.com>

<http://www.4manuals.cc>

<http://www.manual-lib.com>

<http://www.404manual.com>

<http://www.luxmanual.com>

<http://aubethermostatmanual.com>

Golf course search by state

<http://golfingnear.com>

Email search by domain

<http://emailbydomain.com>

Auto manuals search

<http://auto.somanuals.com>

TV manuals search

<http://tv.somanuals.com>