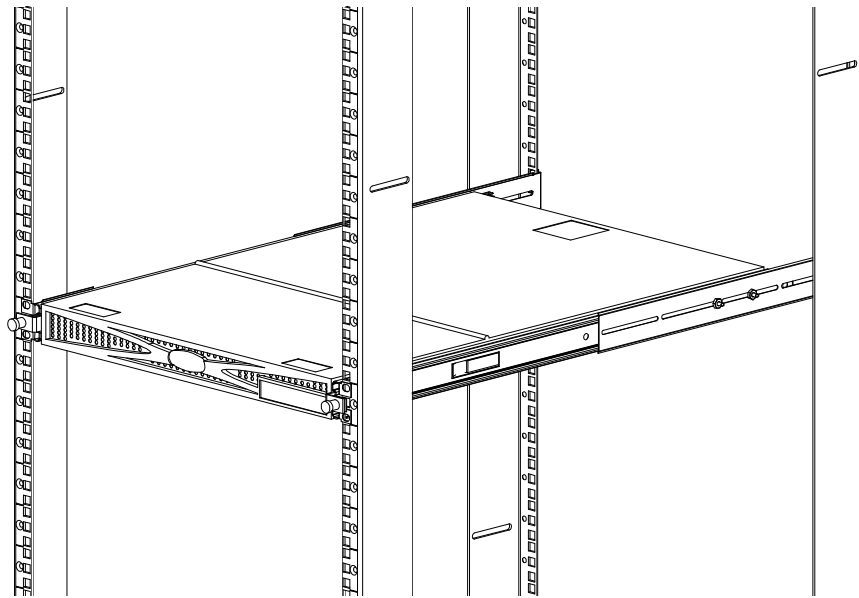


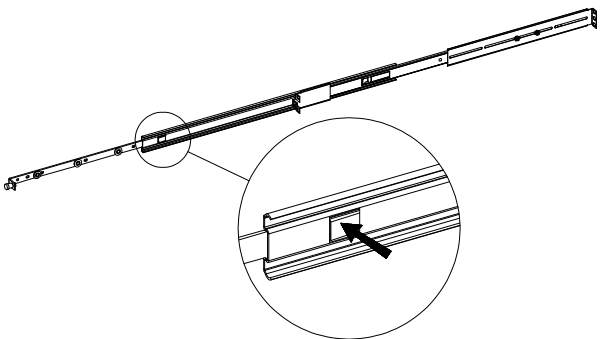
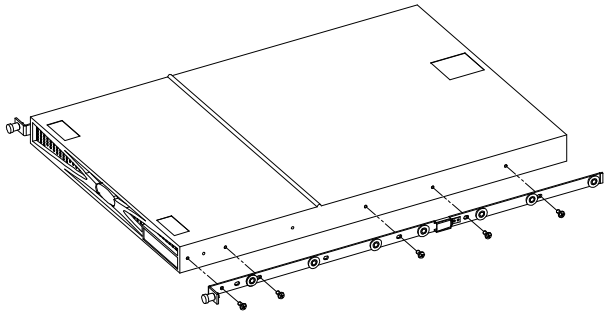
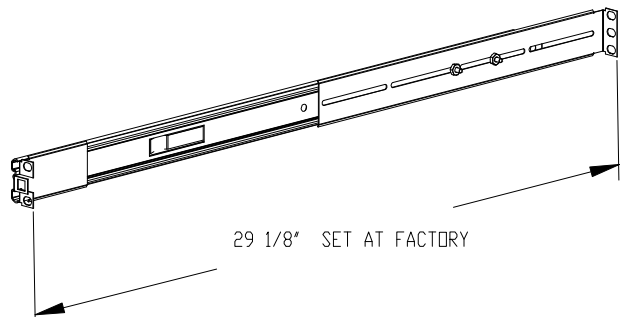
---

# V210/V240-R19-H Rack Mount Kit Installation Guide

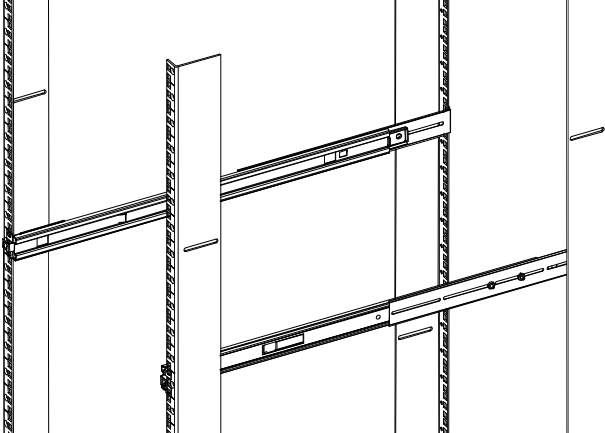
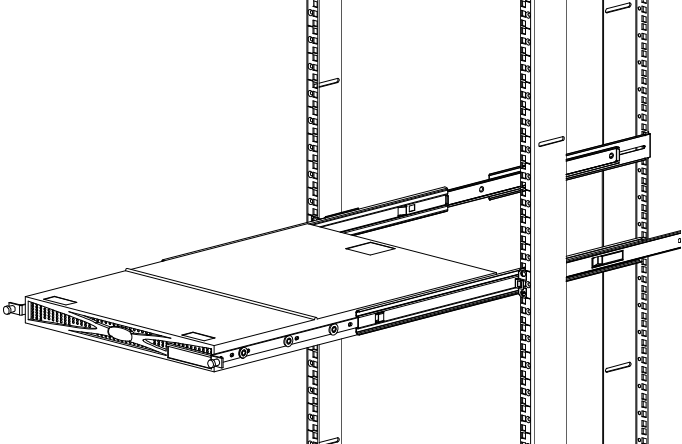
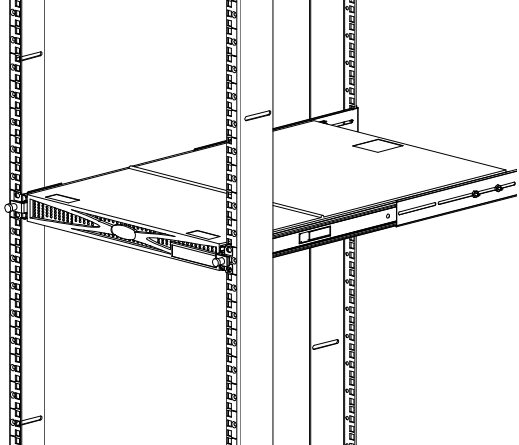
---



## V210/V240-R19-H Rack Mount Kit Installation Guide

Step	Detail
<p>1. Separate the Slide Assemblies by detaching the Inner Slide Member from the Outer Slide Member. Remove the Inner Slide Member from the Slide Assembly by first fully extending the Inner Slide Member. Next depress the slide stop, which allows for the Inner Slide Member to be detached.</p>	
<p>2. Attach the Inner Slide members to both sides of the server using (5) M4 pan head screws.</p>	
<p>3. Adjust the Slide Mounting Brackets to the correct Depth. To adjust:</p> <ul style="list-style-type: none"><li>• Loosen the two nuts at the rear of the slide using a 11/32" wrench</li><li>• Move the Rear Slide-Mounting bracket to the correct depth</li><li>• Tighten the nuts.</li></ul>	

## V210/V240-R19-H Rack Mount Kit Installation Guide

Step	Detail
<p>4. Install the Outer Slide Member in the rack enclosure. Attach the Front Mounting Bracket to the Front Rack Rail using (2) 10-32 x 1/2" pan head screws. Attach the Rear Mounting Bracket to the Rear Rack Rail using (3) 10-32 x 1/2" pan head screws.</p> <p>5. Repeat step 3 for the left Outer Slide Member.</p>	 A technical line drawing showing the installation of an outer slide member. The slide member is a long, thin rectangular component with mounting brackets at each end. It is being inserted into a rack enclosure. The front mounting bracket is being attached to the front rack rail, and the rear mounting bracket is being attached to the rear rack rail. The diagram shows the slide member being pushed into the rails.
<p>6. Install the server into the rack enclosure. Approach the rack with the rear of the server facing the rack enclosure. Align the Inner Slides on the server with the Outer Slide Rails attached to the rack enclosure. Slide the server all the way into the rack enclosure until it stops. The slides will lock into place in the slide rails.</p>	 A technical line drawing showing a server being slid into a rack enclosure. The server is a rectangular unit with a front bezel and a rear panel. It is being pushed into the rack enclosure. The inner slides on the server are being aligned with the outer slide rails. The server is shown in the process of being inserted into the rack.
<p>7. Secure the server in the rack by tightening the (2) thumbscrews mounted on either side of the server's front bezel.</p>	 A technical line drawing showing the server secured in the rack. The server is now fully inserted into the rack enclosure. Two thumbscrews are being tightened on either side of the server's front bezel to secure it in place. The diagram shows the thumbscrews being turned into the bezel.

## Warranty

LIMITED WARRANTY AND WARRANTY DISCLAIMER - Seller warrants that the System will be free from defects in materials and workmanship for a period of one (1) year from date of delivery to customer premises. Seller's sole liability and Customer's sole and exclusive remedy for any breach of this warranty is, at Seller's option and expense, to repair or replace any defective System that is returned to it by Customer. Seller will have no obligation under this section to the extent any defect in the System is caused by or is attributable to negligence, accident, misuse, abuse, use of the System than in accordance with Seller's documentation or user manual, modifications, alterations or repairs to the System made by a party other than Seller, or actions of third parties or like events outside Seller's reasonable control. EXCEPT AS EXPRESSLY SET FORTH IN THIS SECTION, TO THE EXTENT PERMITTED BY APPLICABLE LAW, SELLER DISCLAIMS ANY AND ALL OTHER WARRANTIES, WHETHER EXPRESS, IMPLIED, OR STATUTORY, INCLUDING, WITHOUT LIMITATION, ANY IMPLIED WARRANTIES OF MERCHANTABILITY, FITNESS FOR A PARTICULAR PURPOSE, QUALITY, OR NONINFRINGEMENT, AND ANY WARRANTIES ARISING FROM COURSE OF DEALING OR USAGE OF TRADE.

LIMITATIONS OF LIABILITY - IN NO EVENT WILL SELLER BE LIABLE FOR ANY SPECIAL, INCIDENTAL OR CONSEQUENTIAL DAMAGES (INCLUDING, BUT NOT LIMITED TO, LOST PROFITS OR REVENUE, LOSS OF USE, LOST BUSINESS OPPORTUNITIES OR LOSS OF GOODWILL), OR FOR THE COSTS OF PROCURING SUBSTITUTE PRODUCTS, ARISING OUT OF OR IN CONNECTION WITH THESE TERMS OF SALE OR THE USE OF THE SYSTEM, WHETHER SUCH LIABILITY ARISES FROM ANY CLAIM BASED UPON CONTRACT, WARRANTY, TORT (INCLUDING NEGLIGENCE), PRODUCT LIABILITY OR OTHERWISE, WHETHER OR NOT SELLER HAS BEEN ADVISED OF THE POSSIBILITY OF SUCH LOSS OR DAMAGE. IN NO EVENT WILL SELLER'S TOTAL CUMULATIVE LIABILITY, FROM ALL CAUSES OF ACTION AND ALL THEORIES OF LIABILITY, EXCEED THE TOTAL AMOUNTS ACTUALLY PAID TO SELLER BY CUSTOMER UNDER THE ORDER THAT GIVES RISE TO ANY LIABILITY HEREUNDER.

During the warranty period, purchaser must promptly call SharkRack (877-427-5722) to log any such defects in materials and workmanship.

## Free Manuals Download Website

<http://myh66.com>

<http://usermanuals.us>

<http://www.somanuals.com>

<http://www.4manuals.cc>

<http://www.manual-lib.com>

<http://www.404manual.com>

<http://www.luxmanual.com>

<http://aubethermostatmanual.com>

Golf course search by state

<http://golfingnear.com>

Email search by domain

<http://emailbydomain.com>

Auto manuals search

<http://auto.somanuals.com>

TV manuals search

<http://tv.somanuals.com>