

SWISHER

MANUFACTURING QUALITY LAWN CARE EQUIPMENT SINCE 1945

Owner's Manual

FC-10



IMPORTANT
*Read and follow all
Safety Precautions
and Instructions
Before Operating this
Equipment.*

10 Cubic Foot Dump Cart



Made In CHINA

1602 CORPORATE DRIVE PO BOX 67 WARRENSBURG, MISSOURI 64093
PH 660.747.8183 FAX 660.747.8650
swisherinc.com

LIMITED WARRANTY

The manufacturer's warranty to the original consumer purchaser is: This product is free from defects in materials and workmanship for a period of One (1) year from the date of purchase by the original consumer purchaser. We will repair or replace, at our discretion, parts found to be defective due to materials or workmanship. This warranty is subject to the following limitations and exclusions:

- | | |
|--------------------------|---|
| 1) Commercial Use | This product is not intended for commercial use and carries no commercial warranty. |
| 2) Limitation | This warranty applies only to products which have been properly assembled, adjusted, and operated in accordance with the instructions contained within this manual. This warranty does not apply to any product of Swisher Mower Co., Inc., that has been subject to alteration, misuse, abuse, improper assembly or installation, shipping damage, or to normal wear of the product. |
| 3) Exclusions | Excluded from this warranty are normal wear, normal adjustments, and normal maintenance. |

In the event you have a claim under this warranty, you must return the product to an authorized service dealer. All transportation charges, damage, or loss incurred during transportation of parts submitted for replacement or repair under this warranty shall be borne by the purchaser. Should you have any questions concerning this warranty, please contact us toll-free at 1-800-222-8183. The model number, serial number, date of purchase, and the name of the authorized Swisher dealer from whom you purchased the mower will be needed before any warranty claim can be processed.

THIS WARRANTY DOES NOT APPLY TO ANY INCIDENTAL OR CONSEQUENTIAL DAMAGES AND ANY IMPLIED WARRANTIES ARE LIMITED TO THE SAME TIME PERIODS STATED HEREIN FOR ALL EXPRESSED WARRANTIES. Some states do not allow the limitation of consequential damages or limitations on how long an implied warranty may last, so the above limitations or exclusions may not apply to you. This warranty gives you specific legal rights and you may have other rights, which vary from state-to-state. This is a limited warranty as defined by the Magnuson-Moss Act of 1975.

Pre-Assembly Instructions

For easy assembly, follow all directions step by step.

Open all boxes before beginning to assemble. Approximate assembly time is: 1.5 to 3 hours

Helpful TIP: Read all instructions before starting to assemble cart.

Check Parts and Hardware:

Group together and check that all hardware and parts are included. Refer to listing and illustration below. If you are missing parts please call Swisher Customer Service 1-800-222-8183 for assistance.

Tools Required:

Tape Measure

Flat Head Screwdriver (large size)

Standard Pliers

Two 10mm combination or ratchet style wrenches

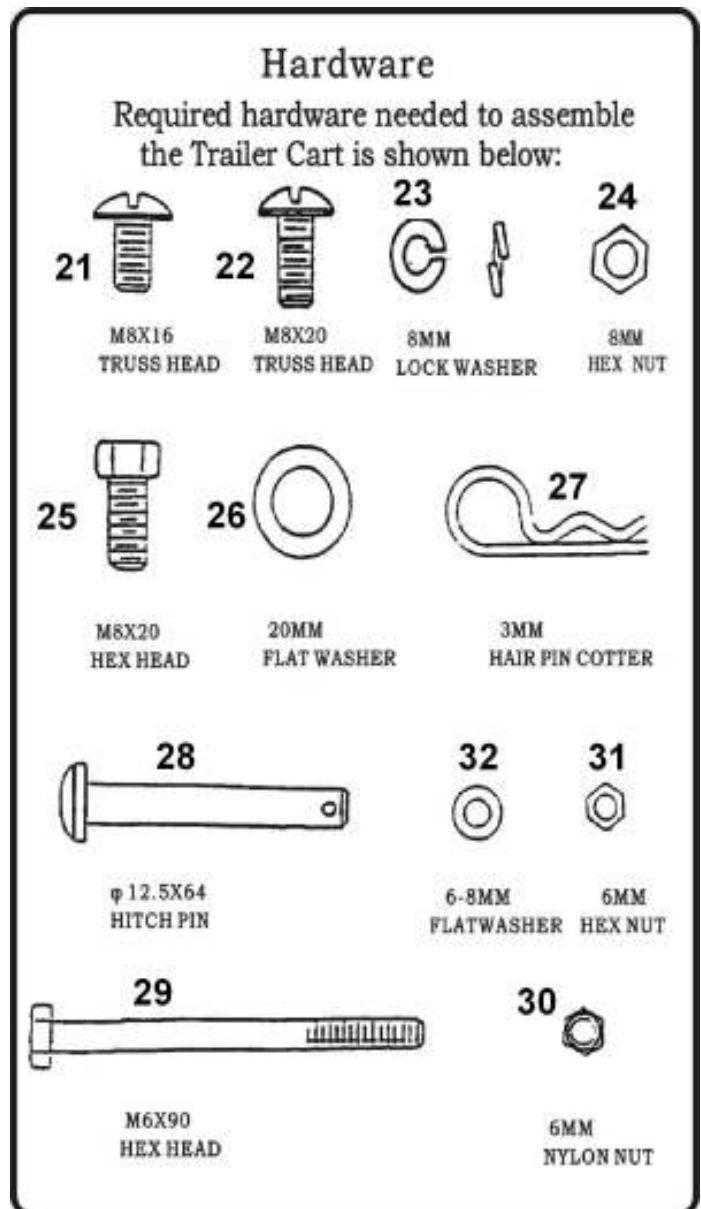
Two 13 mm combination or ratchet style wrenches

Part Number Listing

Ref #	Part #	Description	Qty
1	12166	Bottom Panel	2
2	12167	Front Cross Brace	1
3	12168	Tongue Support	1
4	12169	Wheel Axle Support	2
5	12170	Axle	1
6	12171	Wheel / Tire Assembly	2
7	12172	Latch Spring	1
8	12173	Latch Spacer	2
9	12174	Tongue Latch	1
10	12175	Hitch Tongue	1
11	12176	Hitch Pin Bracket	1
12	12177	Rear Cross Brace	1
13	12178	Rear Corner Bracket	2
14	12179	Side Panel	2
15	12180	Rear Corner Brace	2
16	12181	Front Panel	1
17	12182	Front Corner Brace	2
18	12183	Tailgate Latch	2
19	12184	Tailgate Pin	2
20	12185	Tailgate	1

Hardware

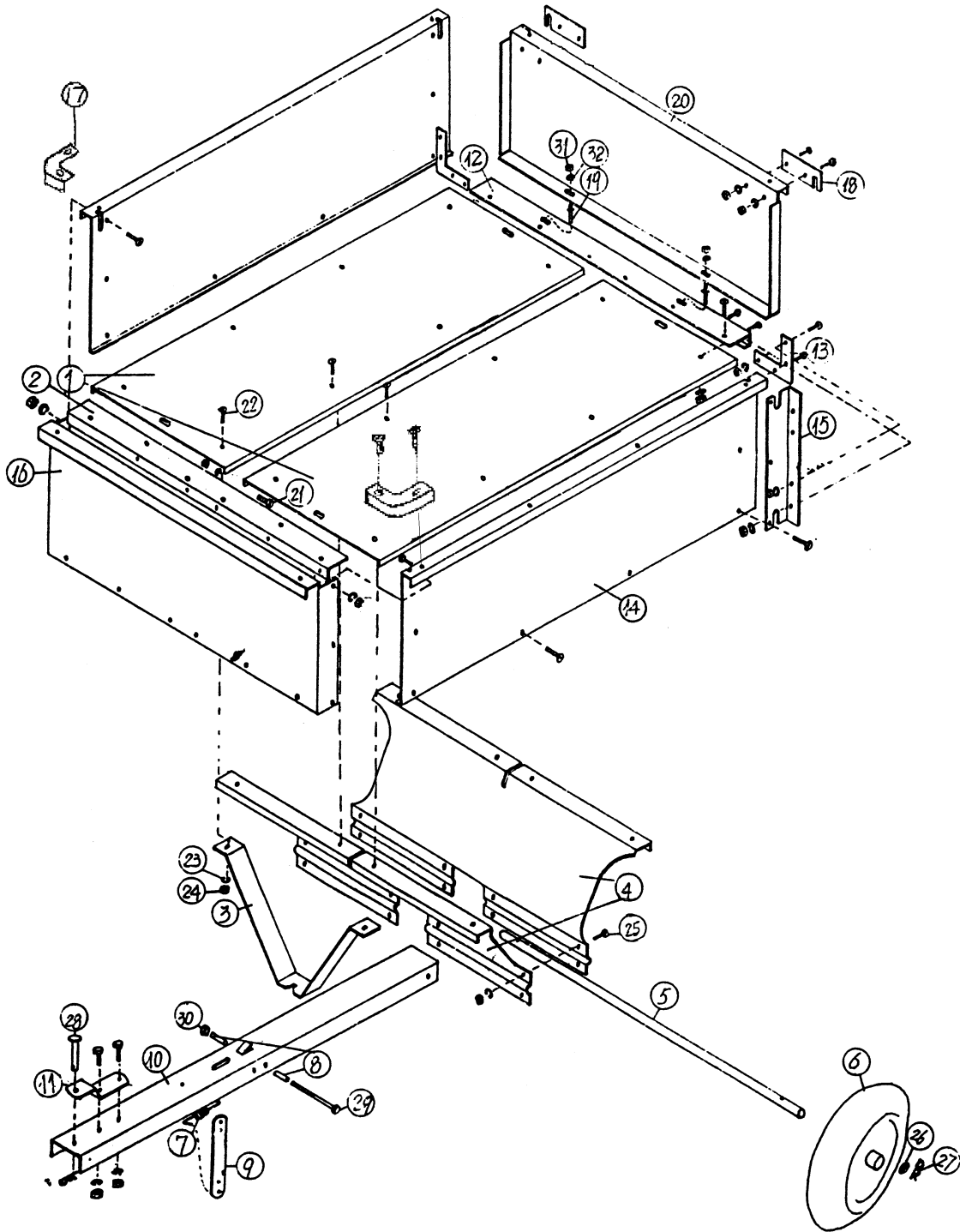
21	12186	M8 X 16 Truss Head Bolt	60
22	12187	M8 X 20 Truss Head Bolt	2
23	NB275	8mm Lock Washer	72
24	NB718	8mm Hex Nut	72
25	NB719	M8 X 20 Hex Head Bolt	10
26	NB195	20mm Flat Washer	2
27	NB603	3mm Cotter Pin	3
28	12188	12.5 X 64 Hitch Pin	1
29	12189	M6 X 90 Hex Head Bolt	1
30	12190	6mm Nylon Nut	1
31	NB600	6mm Hex Nut	2
32	NB274	Flat Washer	2



Complete Parts Illustration

for

Trailer Cart

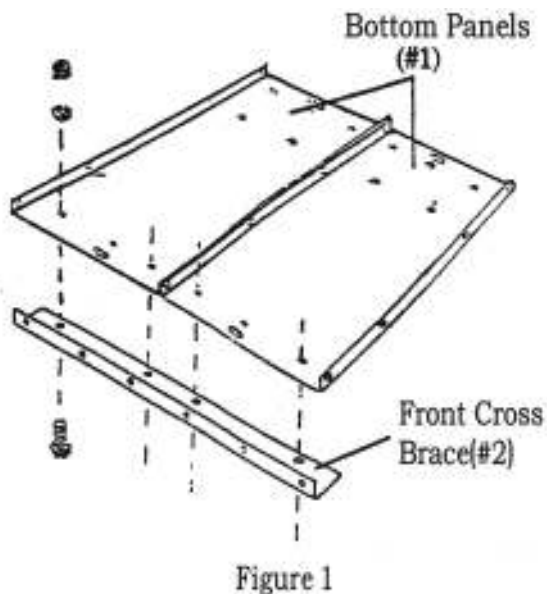


Step 1: Attaching Front Cross Brace

Position the two Bottom Panels(#1) as shown in Figure 1 below.
Attach the Front Cross Brace(#2) to the Bottom Panels using 4 (#21) Bolts, 4 (#23) Washers, and 4 (#24) Nuts.

Hardware Needed for Step 1:

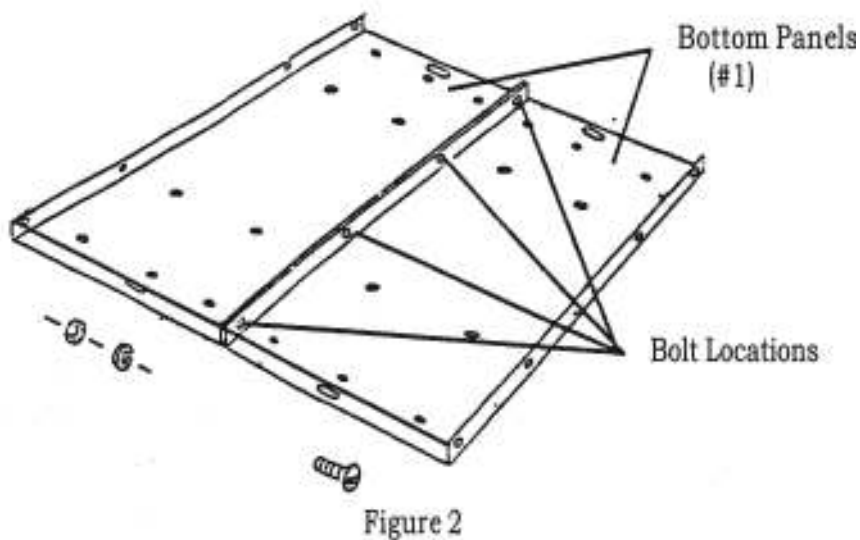
- 1 (#2) Cross Brace
- 4 (#21) Bolts
- 4 (#23) Washers
- 4 (#24) Nuts
- 2 (#1) Bottom Panels



Step 2: Connecting

Attach Bottom Panels(#2) to the Front Cross Brace using 2 (#21) Bolts, 2 (#23) Washers, and 2 (#24) Nuts.

- Hardware Needed for Step 2:
- 2 (#1) Bottom Panels
 - 2 (#21) Bolts
 - 2 (#23) Washers
 - 2 (#24) Nuts



Step 3: Attaching the Tongue Support

Attach the Tongue Support(#3) to the Bottom Panels as shown in Figure 3 using 2 (#22) Bolts, 2 (#23) Washers, and 2 (#24) Nuts.

Hardware Needed for Step 3:

2 (#22) Bolts

2 (#24) Nuts 2 (#23) Washers

2 (#23) Washers

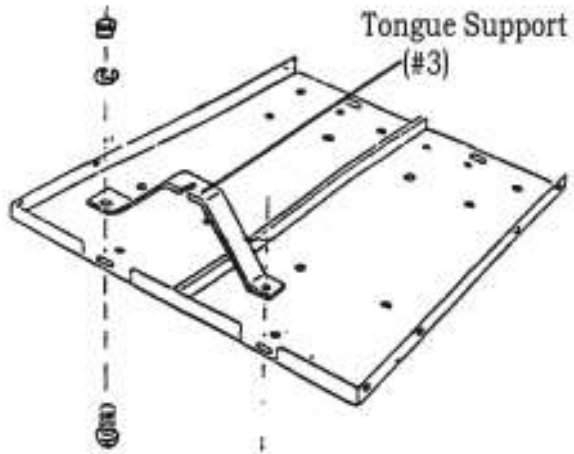


Figure 3

Step 4: Assemble Wheel Axle Supports

As shown in Figure 4 below, connect together the 2 Wheel Axle Supports (#4) using 8 (#25) Bolts, 8 (#23) Washers, and 8 (#24) Nuts. DO NOT TIGHTEN BOLTS—leave bolts very loose for inserting axle and tongue in Step #6.

Hardware Needed for Step 4:

2 (#4) Wheel Axle Supports

8 (#25) Bolts

8 (#23) Washers

8 (#24) Nuts

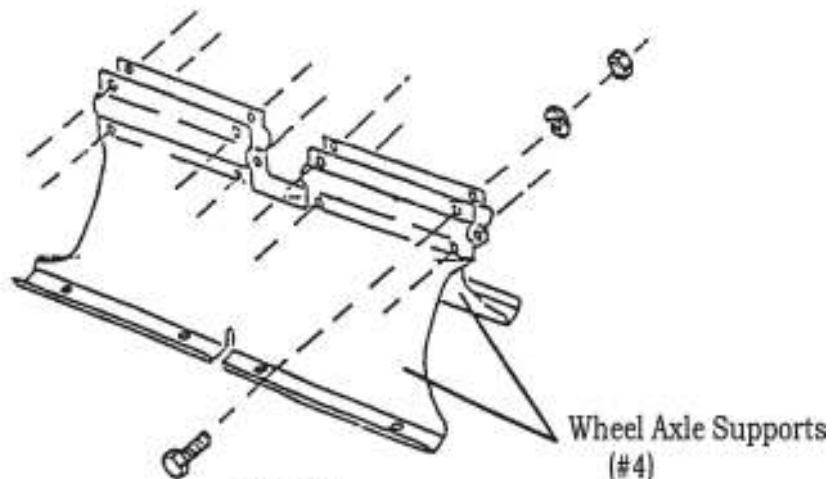


Figure 4

Step 5: Attaching Wheel Axle Supports To Bottom Panels

Attach Wheel Axle Supports (#4) to the Bottom Panels as shown in Figure 5 to the right, using 4 (#21) Bolts per side. Next, finish bolting together two middle connections of Bottom Panels after Wheel Axle Support is in place. Using 2 (#21) Bolts, 2 (#23) Washers, and 2 (#24) Nuts.

Hardware Needed for Step 5:

- 2 (#4) Wheel Axle Supports (connected)
- 10 (#21) Bolts
- 10 (#23) Washers
- 10 (#24) Nuts

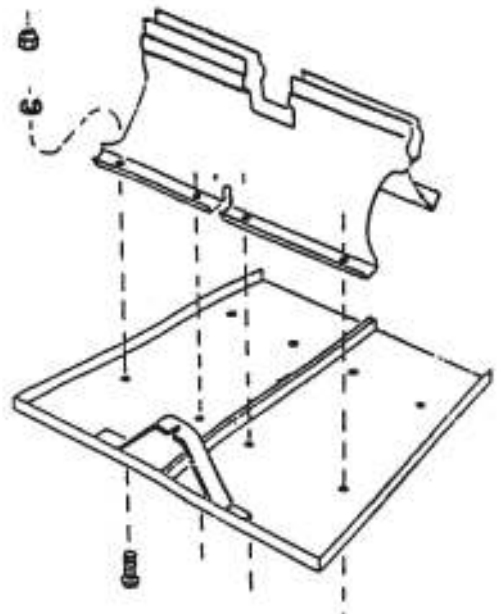


Figure 5

Step 6: Attaching Wheel Axle and Tires

Set Hitch Tongue(#10) in place as shown below before inserting Wheel Axle(#5) through Wheel Axle Support(#4). Next, insert the Wheel Axle (#5) into the Wheel Axle Support(#4), and through the holes in the Tongue(#10) as shown in Figure 6. Be sure equal amounts of axle extend from each side of Wheel Support.

TIGHTEN BOLTS ON WHEEL AXLE SUPPORT.

Next, install each Tire Assembly (#6) onto Wheel Axle, followed by a Washer(#26) and a Cotter Pin(#27)

Hardware Needed for Step 6:

- 1 (#10) Hitch Tongue
- 1 (#5) Wheel Axle
- 2 (#6) Wheel Assemblies (Tires)
- 2 (#26) Washers
- 2 (#27) Cotter Pins

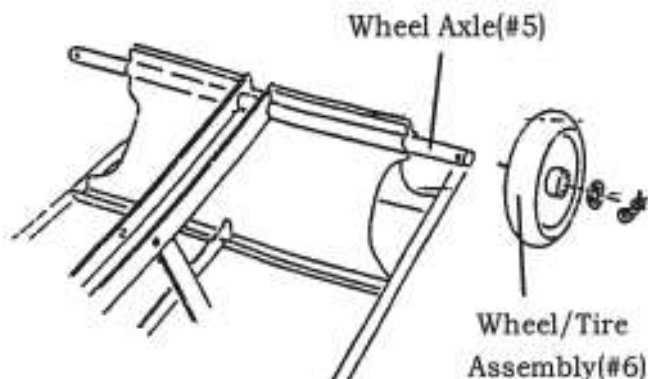


Figure 6

Step 7: Assembling Tongue Latch

Insert the Tongue Latch(#9) up through the opening in the Hitch Tongue(#10). Place one Latch Spacer(#8) on each side of the Tongue Latch(#9), then insert Bolt(#29) to connect Hitch Tongue(#10) and Latch Spacers(#8) and Tongue Latch(#9). Only Hand Tighten (#29) Bolt to (#30) Nut. See Figure 7.

Next, attach one end of Latch Spring(#7) to Hitch Tongue(#10) and one end of Latch Spring(#7) to top hole in Tongue Latch(#9). Note hole locations from Figure 7. Now completely tighten (#29) Bolt and (#30) Nut.

Hardware Needed for Step 7:

- 1 (#9) Tongue Latch
- 2 (#8) Latch Spacers
- 1 (#7) Latch Spring
- 1 (#29) Bolt
- 1 (#30) Nut

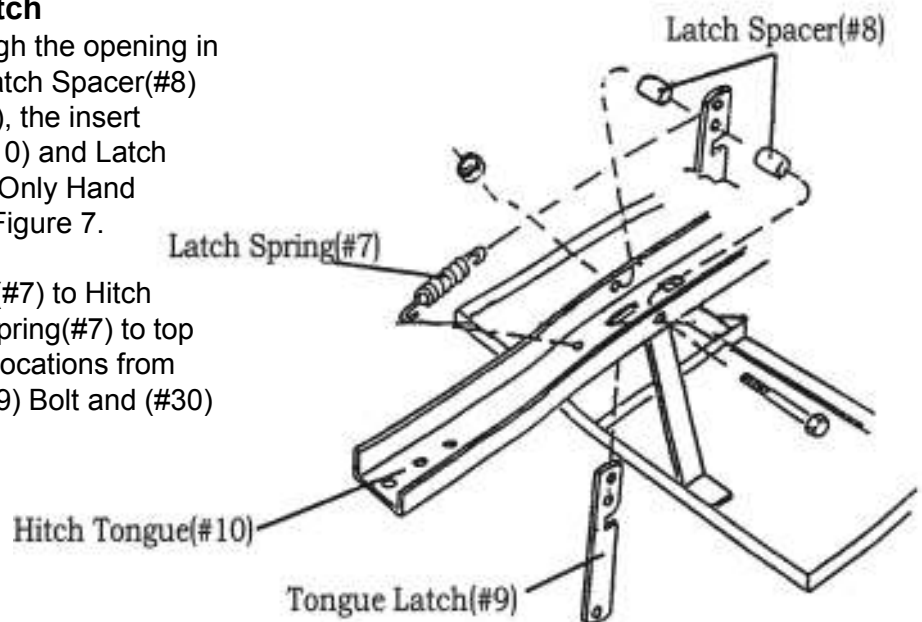


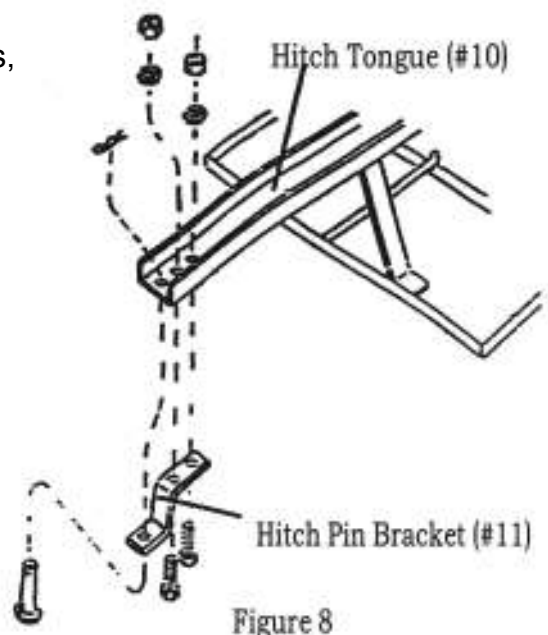
Figure 7

Step 8: Installing the Hitch Pin Bracket

Install the Hitch Pin Bracket(#11) in the back two holes of the Hitch Tongue(#10) using 2 (#25) Bolts, 2 (#23) Washers, and 2(#24) Nuts. Refer to Figure 8. Place Hitch Pin(#28) in the front hole, using Cotter Pin(#27) to hold in place.

Hardware Needed for Step 8:

- 1 (#11) Hitch Pin Bracket
- 2 (#25) Bolts
- 2 (#23) Washers
- 2 (#24) Nuts
- 1 (#28) Hitch Pin
- 1 (#27) Cotter Pin

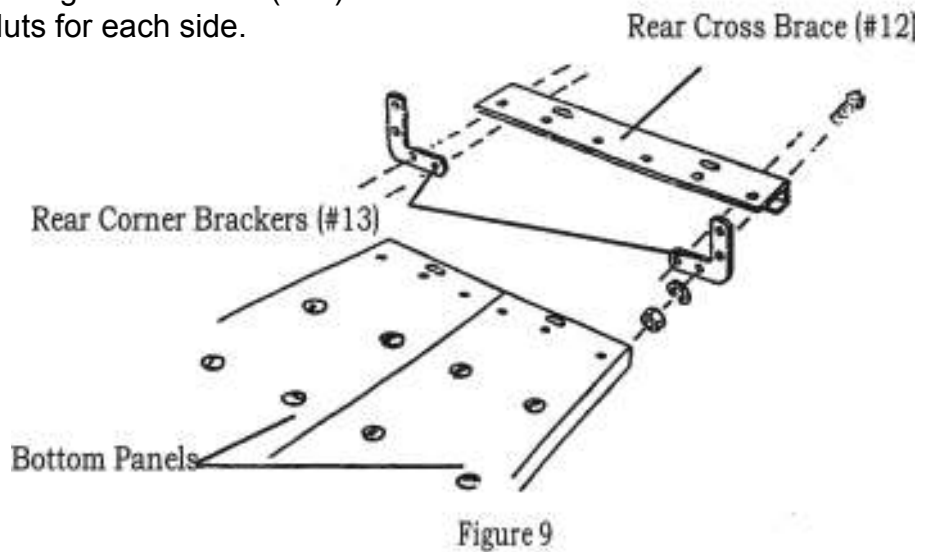


Step 9: Installing the Rear Cross Brace

Turn the Trailer Cart over onto its wheels. Attach the Rear Corner Brackets(#13) and the Rear Cross Brace(#12) to the back of the Bottom Panels as shown in Figure 9. Use 2 (#21) Bolts, 2 (#23) Washers, and 2 (#24) Nuts for each side.

Hardware Needed for Step 9:

- 1 (#12) Rear Cross Brace
- 2 (#13) Corner Brackets
- 4 (#21) Bolts
- 4 (#23) Washers
- 4 (#24) Nuts

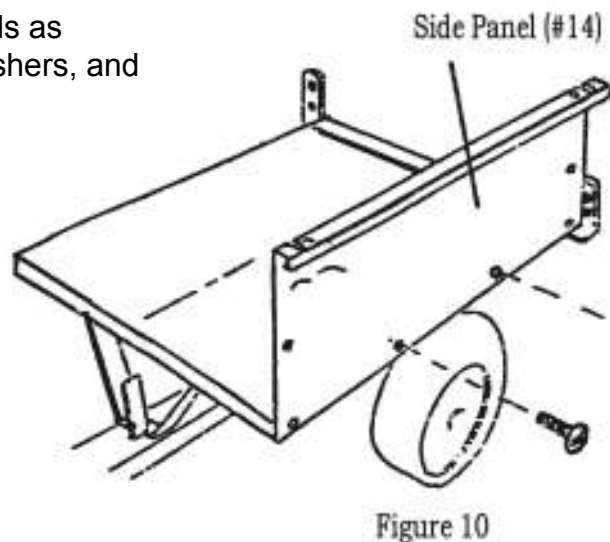


Step 10: Side Panel Installation

Attach the Left Side Panel(#14) to the Bottom Panels as shown in Figure 10 using 2 (#21) Bolts, 2 (#23) Washers, and 2 (#24) Nuts. Note bolt locations.

Hardware Needed for Step 10:

- 1 (#14) Side Panel
- 2 (#21) Bolts
- 2 (#23) Washers
- 2 (#24) Nuts



Step 11: Secure Rear Cross Brace

Bolt Rear Cross Brace(#12) to Bottom Panels(#1) using 6 (#21) Bolts, 6 (#23) Washers, and 6 (#24) Nuts.

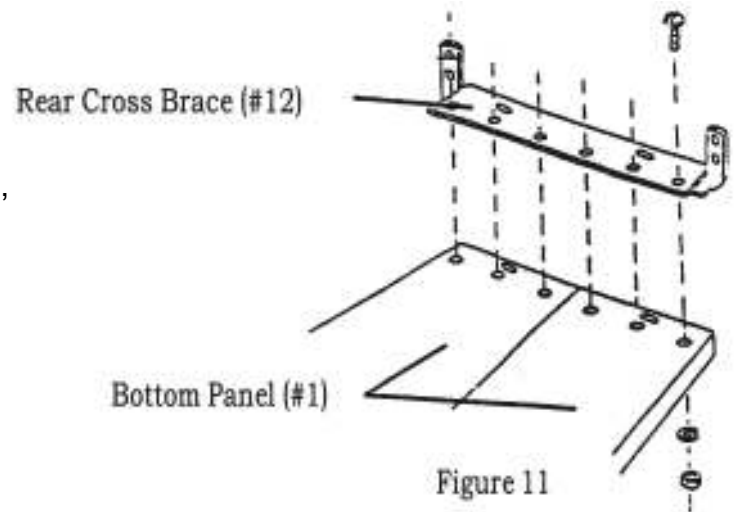
See Figure 11 for bolt locations.

Hardware Needed for Step 11:

6 (#21) Bolts

6 (#23) Washers

6 (#24) Nuts



Step 12: Side Panel Installation

Attach the Right Side Panel(#14) to the Bottom Panels as shown in Figure 12 using 2 (#21) Bolts, 2 (#23) Washers, and 2 (#24) Nuts. Note bolt locations for side panel.

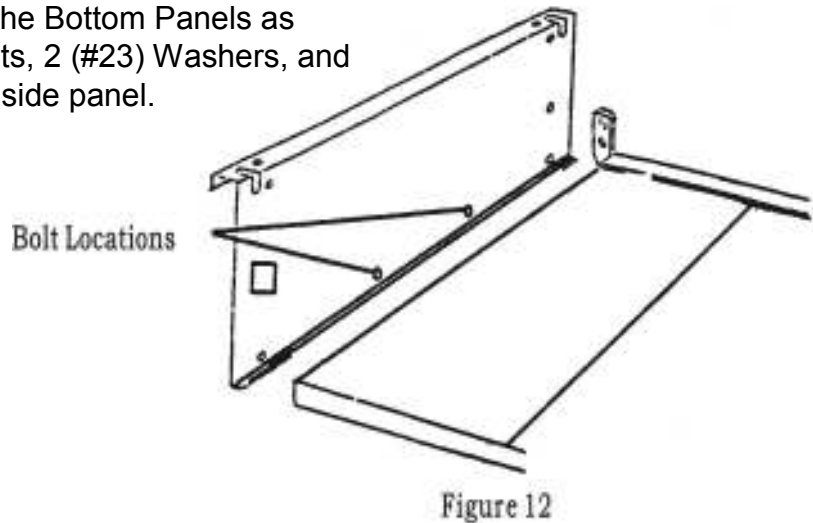
Hardware Needed for Step 12:

1 (#14) Side Panel

2 (#21) Bolts

2 (#23) Washers

2 (#24) Nuts



Step 13: Secure Side Panels

Secure each side panel by bolting a Rear Corner Brace(#15) to the outside of the Side Panel(#14) using 5 (#21) Bolts, 5 (#23) Washers, and 5 (#24) Nuts per side. Figure 13 shows left Rear Corner Bracket being attached.

Attach right side the same way.

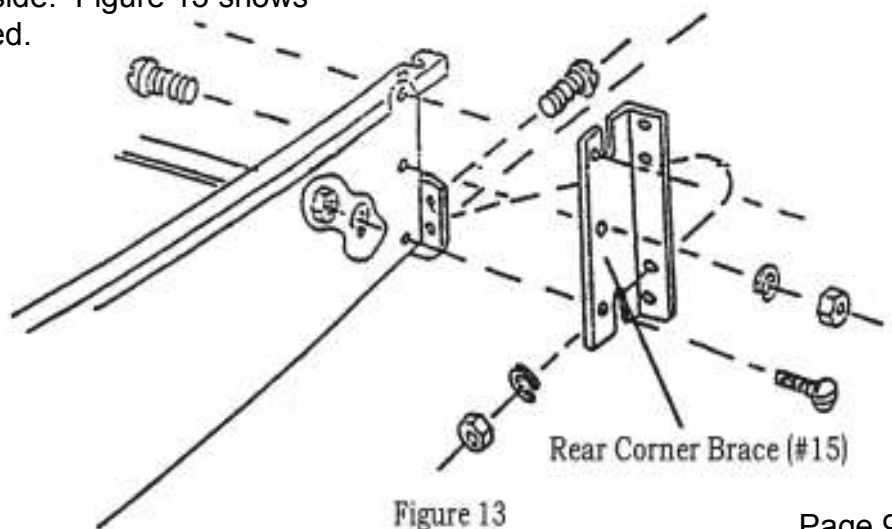
Hardware Needed for Step 13:

2 (#15) Rear Corner Braces

10 (#21) Bolts

10 (#23) Washers

10 (#24) Nuts



Step 14: Attach Front Panel

Attach the Front Panel(#16) to the Front Cross Brace(#2) and to the two Side Panels(#14) using 12 (#21) Bolts, 12 (#23) Washers, and 12 (#24) Nuts. See Figure 14 for bolt locations.

Hardware Needed for Step 14:

- 1 (#16) Front Panel
- 12 (#21) Bolts
- 12 (#23) Washers
- 12 (#24) Nuts

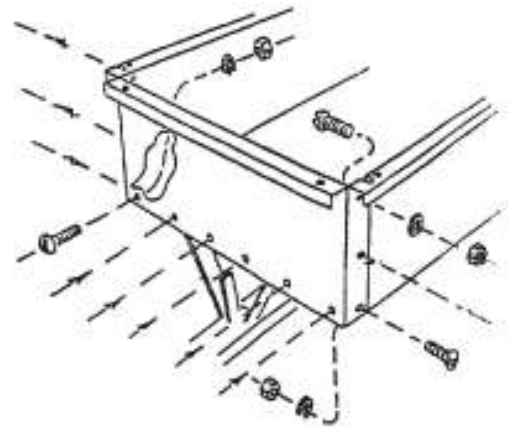


Figure 14

Step 15: Install Front Corner Braces

Install the Front Corner Braces(#17) to the corners of the Front Panel(#16) and the Side Panels(#14) using 2 (#21) Bolts, 2 (#23) Washers, and 2 (#24) Nuts for each Front Corner Brace. See Figure 15.

Hardware Needed for Step 15:

- 2 (#17) Front Corner Braces
- 4 (#21) Bolts
- 4 (#23) Washers
- 4 (#24) Nuts

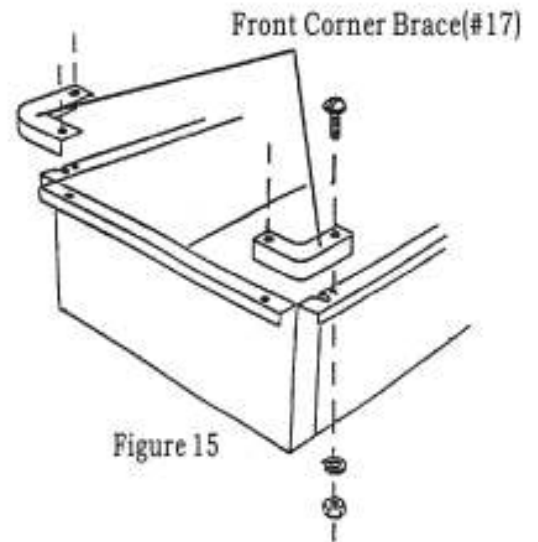


Figure 15

Final Step: Attaching Tail Gate with Latches

First attach the two Tailgate Latches(#18) to the inside of the Tailgate(#20) using 2 (#21) Bolts, 2 (#23) Washers, and 2 (#24) Nuts for each Tailgate Latch(#18). Next, insert the Tailgate Pins(#19) into the holes on the bottom part of the Tailgate. See Figure 16 for Tailgate Pin locations. Secure Tailgate Pin(#19) by adding a (#32) Washer and a (#31) Nut to the Pin threads.

Next, put Tailgate in place on the Trailer Cart. Position Tailgate so the two Tailgate pins line up with the two holes on the Rear Cross Brace(#12). The Tailgate latches can be dropped over the open slots on the Side Panels that lock the Tailgate into place. Assembly is complete.

Before using the cart, check that all hardware connections are tight.

Hardware Needed for Step 16:

- 1 (#20) Tailgate
- 2 (#18) Tailgate Latches
- 2 (#19) Tailgate Pins
- 2 (#32) Washers
- 2 (#31) Nuts
- 4 (#21) Bolts
- 4 (#23) Washers
- 4 (#24) Nuts

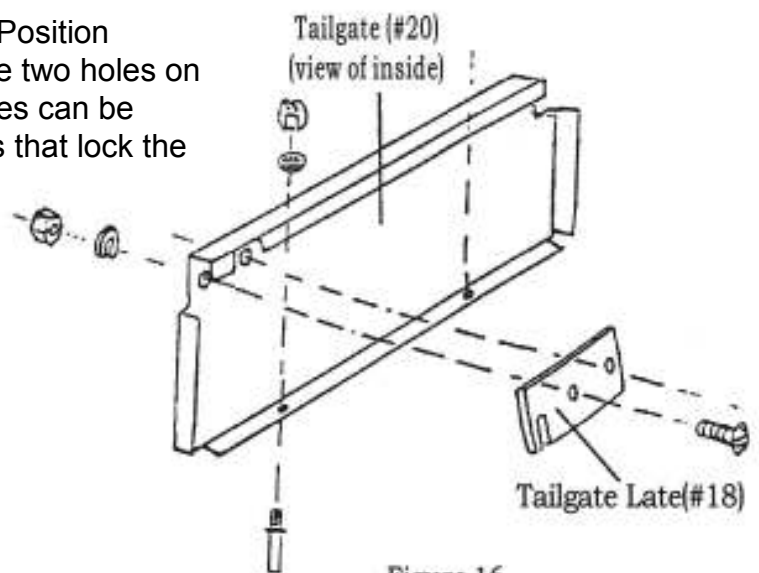


Figure 16

Operation/Maintenance NOTES:

Operation notes-

A full capacity load is 500 pounds, DO NOT exceed rated capacity.

Cart only to be used with lawn tractor or ATV.

Cart is not to for highway use.

Do not exceed 10mph when towing.

Maintenance notes-

On a regular basis, check that tires are inflated properly. Pressure should be approx. 14psi.

NEVER over-inflate tires, ALWAYS check pressure max. on the tire.

Grease axle and wheel bearing area regularly or when needed.

Dry off cart after using in wet conditions.

SWISHER

MANUFACTURING QUALITY LAWN CARE EQUIPMENT SINCE 1945

Owner's Manual

FC-10



IMPORTANT
Read and follow all
Safety Precautions
and Instructions
Before Operating this
Equipment.

ATV & LAWN ACCESSORIES

**WHEN ORDERING PARTS, PLEASE HAVE THE
FOLLOWING INFORMATION AVAILABLE:**

- * **PRODUCT -** _____
- * **SERIAL NUMBER -** _____
- * **MODEL NUMBER -** _____
- TYPE -** _____
- * **PART NUMBER WITH PAINT CODE**
- * **PART DESCRIPTION**

TELEPHONE - 1-800-222-8183
FAX - 1-660-747-8650

SWISHER MOWER & MACHINE CO. INC.
1602 CORPORATE DRIVE
P.O. BOX 67
WARRENSBURG, MO 64093

swisherinc.com

Free Manuals Download Website

<http://myh66.com>

<http://usermanuals.us>

<http://www.somanuals.com>

<http://www.4manuals.cc>

<http://www.manual-lib.com>

<http://www.404manual.com>

<http://www.luxmanual.com>

<http://aubethermostatmanual.com>

Golf course search by state

<http://golfingnear.com>

Email search by domain

<http://emailbydomain.com>

Auto manuals search

<http://auto.somanuals.com>

TV manuals search

<http://tv.somanuals.com>