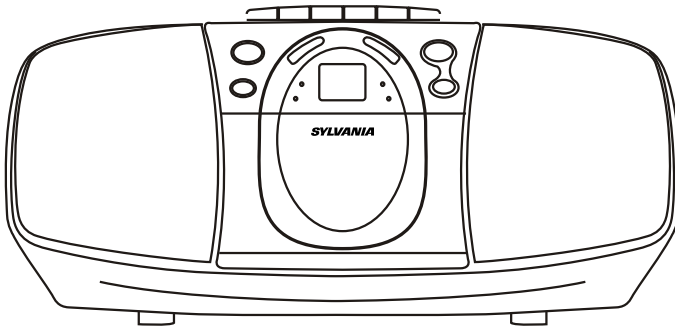


# **SYLVANIA**



MODEL:SRCD346

PORTABLE AM/FM RADIO  
CASSETTE & CD PLAYER

# Safety Instructions

Read all the safety instructions before using the stereo cassette recorder.

## Power source

Before switching on the mains supply, make sure the voltage is compatible.

## Positioning your appliance

- Position the power supply lead and other leads so that they are not likely to be walked on or pinched by things placed on or against them.
- Do not use the appliance in humid or damp conditions. Do not allow the appliance to get wet, ie. dripping or splashing, as this may be dangerous. Do not place water filled objects, such as vases, on top of the appliance.
- Make sure that no naked flame sources, such as candles, are placed on top of the appliance.

## Cleaning

- Unplug the appliance before you clean it.
- Do not use liquid or aerosol cleaners.
- Clean your appliance with a soft, damp (not wet) cloth.

## Ventilation

- The slots and openings on the appliance are for ventilation. Do not cover or block them as it could lead to overheating.
- NEVER let children push anything into the holes or slots on the cases.

## Servicing

- There are no user serviceable parts in your portable stereo.
- When servicing, refer to qualified service personnel.
- Consult your dealer if you are ever in doubt about the installation, operation or safety of your equipment.

## Battery disposal

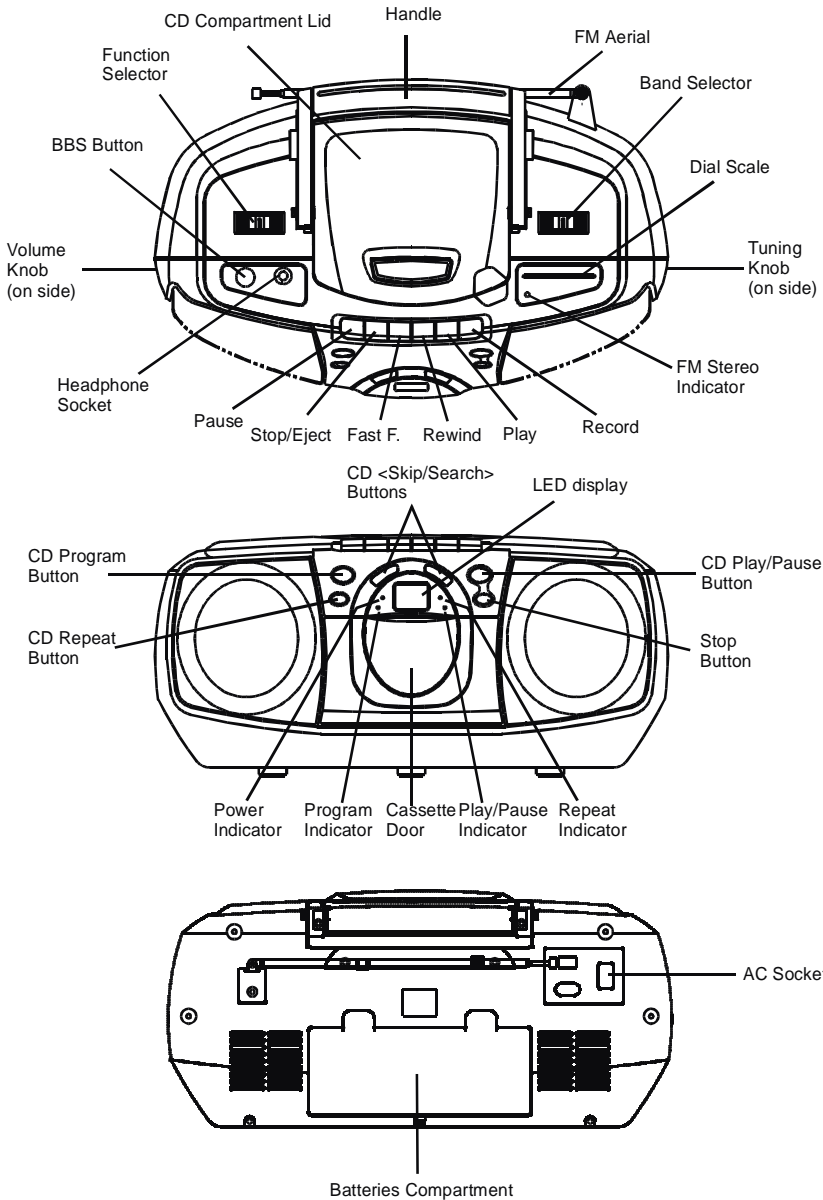
Please ensure batteries are disposed of safely.

## Electrical information

Make sure that the voltage of your electricity supply is the same as that indicated on the rating plate.



# Quick view



# Getting started

Remove the unit carefully from the box. You may wish to store the packaging for future use.

## Switching on

### Mains power

The unit comes with a mains power cable.

When not in use, unplug the unit from the mains power.

### Batteries

Always remove the mains power lead from the unit for battery operation.

- Remove the battery compartment door at the back of stereo.
- Load 6 x LR14 “ C “ Size batteries into the compartment. Make sure the (+) and (-) ends of the batteries are positioned as shown outside the battery door (batteries not included).

### Please note

If you are not going to use the unit for some time remove the batteries.

### Battery low indication

The **Power light** will not come on when the batteries are exhausted.

### Please note

If the unit is connected to the mains, the Power light will come in.

## Adjusting the sound

Turn the **Volume** knob located on the side to set the sound level.

### BBS

The Bass Boost (**BBS**) Button is used to enhance bass boost sound.

### Using headphones

Plug your headphones into the headphones socket on the side.

The sound will be heard through the headphones, *not* the speakers.

### *Please note*

*Headphones should have a 3.5mm diameter stereo plug and an impedance of 8-32 ohms.*

# Using the radio

Select the **Function Selector** to Radio.

Use the AM/FM band selector to select the band.

Turn the **Tuning** knob on the side to select the channel you want.

## **To turn the radio off**

Set the **Function Selector** to Tape with all keys released.

Stereo indicator (FM ST. band only)

When an FM stereo station is tuned in, the red Stereo light comes on.

When stereo signals are weak and the reception is noisy, it is often preferable to receive the program in mono. Switch the band selector to FM, reception will be less noisy.

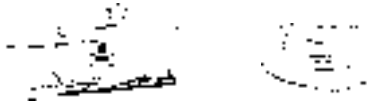
## **Aerial**

For best FM reception, extend the telescopic aerial located at the back of the unit. Move it around until you get the best reception.

There is a built in ferrite aerial for AM signal. Move or rotate the unit to obtain the best Amplitude Modulation(AM) reception.

# Using the CD player

## Handling Compact Discs



To remove a CD from its storage case, press down on the centre of the case and lift the disc out.

Hold the disc by the edges. Avoid touching the recorded side of the disc.

## Loading CDs

- Set the Function Selector to CD position.
- Press the “ OPEN” pad on the top of the CD lid to click open.
- Place the CD in the compartment with the label side facing upwards.
- Close the lid. When fully closed the CD player starts to spin the disc. The display shows the total number of tracks on the CD.
- You can open the CD compartment at any time by pressing the stop button lifting the disc compartment lid.
- Only remove the CD when it has stopped spinning.

### *Please note*

- *Do not put anything other than a CD in the compartment. Other objects can damage the mechanism.*
- *Do not force open the lid by hand during use.*
- *Keep the lid closed when not in use to prevent dirt and dust from getting into the mechanism.*
- *Never insert more than one CD at a time.*
- *If a disc is deeply scratched or too dirty, it may not play.*

## Error compensation

The unit has built in error compensation circuits which enable it to keep playing despite any minor defects in the disc.

However, if the defects are too great, the play may skip some tracks during play.

If you encounter this problem play a new disc and if the CD player operates normally, the skipping problem is probably due to a defective disc.

## Playing CDs

- Once you have loaded a CD, press the CD **Play/Pause** button. The display shows the track currently playing.
- To stop play, press **Stop**.

### **Skip forward or back through tracks**

- To select the next track, press >> **Skip/Search**. If you are on the last track of the disc, the player will move to track 1.
- To go back to the beginning of the current track press << **Skip/Search** once.
- To go back to the previous track press << **Skip/Search** twice.
- To play a particular track, load the disc in the CD player and press >> **Skip/Search** until the track number you want is shown in the display.

### **Pause**

- To stop a track temporarily, press the **Play/Pause** button. The disc will pause at the current play position. The Play/Pause indicator will flash.
- To resume play, press the **Play/Pause** button again.

## Programmed track selection

You can set the unit to play a selection of tracks from your disc.

### To select specific tracks

- Make sure CD is at stop mode.
- Press **Program** button. The display flashes “ 01” and the Programme light comes on.
- Press >> **Skip/Search** or << **Skip/Search** to select the track number you want. Press the **Program** button to memorize the track. The display flashes “ 02” .
- Now press << **Skip/Search** or >> **Skip/Search** to select the next track you want.
- Press the **Program** button to memorize the track.
- Repeat these steps until all the tracks you want are stored. You can store a maximum of 20 tracks. You can select a track more than once.
- Press the **Play** button. The first programmed track is displayed and your selection starts playing.
- After all the programmed tracks have been played, the CD player stops automatically. To clear your programmed tracks, simply press **Stop** and open the CD door.

### *Please note*

*if, during track selection, you press the **Play/Pause** button before pressing the **Program** button, the track will not be stored in the program memory and the disc will start playing from the first selected track.*

## Repeat disc play

You can set your CD player to repeat play a single track, the whole disc or your programmed track selection.

### To repeat a single track

- Press << **Skip/Search** or >> **Skip/Search** to select a track.
- Press the **Repeat** button once. The display will show a flashing dot to indicate “ **track repeat**” is on.
- Press **Play/Pause** to play the track.
- The selected track will play continuously until you press **Stop** or press the **Repeat** button twice more.

### To repeat the whole disc

- Press the **Repeat** button twice. The display will show a solid dot to indicate “ disc repeat” is on.
- Press **Play**. The entire disc will play continuously until you press **Stop** or press the **Repeat** button once more.

### To repeat a programmed selection

- Select your tracks.
- Press the **Repeat** button once.
- Press **Play**. The programmed tracks will play continuously until you press **Stop** or press the **Repeat** button twice more.

### **Caution**

*This product uses a Caution Laser. Avoid any direct exposure to the laser beam. Use of controls, adjustments or procedures not listed in this guide may result in hazardous exposure.*

# Using the cassette player

## Inserting/removing cassettes

- Set the **Function Selector** to Tape.
- Press the **Stop/Eject** button to open the cassette door.
- Slide the cassette tape into the door with the exposed section of tape facing upwards.
- Push the cassette door closed.
- To remove a cassette, press the **Stop/Eject** button to open the door and lift out your tape.

## Playing cassettes

- Once you have inserted a tape, press the **Play** button.
- Press the **Pause** button to stop playback temporarily.
- Press the **Fast Fwd** button to fast forward through the tape.
- Press the **Rewind** button to go backwards through the tape.
- Press the **Stop/Eject** button when finished.

## Recording

Cassette player has “ Automatic Level Control” which automatically sets the recording level for optimum performance. The volume control will not affect the recording level.

### To record from the radio

- Set the **Function Selector** to Radio and tune in the AM/FM station you want.
- Insert your cassette tape.
- To start recording, press the **Record** and **Play** buttons at the same time. The recording level is set automatically.
- To stop recording, press the **Stop/Eject** button.

### To record from a CD

- Set the **Function Selector** to CD.
- Insert the CD you want to record.
- Insert your cassette tape.
- To start recording, press the **Record** and **Play** buttons at the same time.
- Press CD **Play/Pause** button. The recording level is set automatically.
- To stop recording, press the cassette **Stop/Eject** button.



# Care & maintenance

## Cleaning tape heads

The tape heads, roller and capstan require occasional cleaning to remove particles of metal oxide coating that wear off the tape.

- Press the **Power** button to switch the power off.
- Press the **Stop/Eject** button to open the cassette door.
- Press **Play**.
- Clean the tape head, pinch roller and capstan with a soft cloth or cotton bud dampened in iso-propylalcohol or a special tape head cleaner.

## Cleaning CDs

Use a soft cloth to wipe off any fingerprints and dust from the disc surface. Wipe in a straight line from the centre to the outside of the disc. Small dust particles and light stains will not affect reproduction quality.

- Never use chemicals such as record sprays, anti-static sprays, benzine or thinners to clean your CDs.
- To reduce the risk of scratches, always put CDs back in their case after use.
- Do not expose CDs to direct sunlight, high humidity or high temperatures for long periods.
- Do not stick paper or write anything on either side of the CD.



Only discs displaying this symbol can be played on this unit.

## Cassette care

You can help avoid two of the most common problems of cassette usage.

These are:

- jamming - which causes uneven playback speed.
- tangling - where the tape wraps itself around the playing mechanism.

To reduce the likelihood of these problems occurring, the following precautions should be observed.

Check that there are no loose layers of tape visible through the window in the cassette.

Use a pencil or hexagonal shaped ballpoint pen to wind along any loose layers before inserting the cassette into your machine.

If the cassette feels “tight” when winding the tape with a pencil or pen, the tape may be jamming due to ridges formed in the winding of the tape. You can see these through the cassette window. In most cases, you can remove these ridges by fast forwarding the tape from one end to the other in your cassette player.

- Use only well known brands of tape.
- Avoid C-120 cassettes, as the tape material deteriorates much quicker.
- Always avoid exposing cassettes to direct sunlight, dust or oil. Do not touch the surface of the tape.

### **Prevention of Accidental Erasure**

To prevent erasing a recorded tape accidentally, break off the tabs on the rear of the tape as shown.

Recording on this side is no longer possible. You can stop this being effective by covering the hole with a piece of adhesive tape.

## **Technical specifications**

### **Power supply**

|           |  |
|-----------|--|
| AC        | 120V~60Hz  |
| Batteries | 6 x UM2 LR14 " C " Size (batteries not included) |

### **Radio frequency coverage**

|    |                |
|----|----------------|
| FM | 87.5 - 108 MHz |
| AM | 530 - 1710 KHz |

### **CD player**

|         |                              |
|---------|------------------------------|
| Pick Up | 3-beam, Semi-conductor Laser |
| Encodin | 1 Bit DA Converter           |
|         | 8 x Oversampling             |

|                         |                |
|-------------------------|----------------|
| <b>Recording system</b> | DC Bias        |
| <b>Erasing system</b>   | Magnetic Erase |

### **General**

|            |   |
|------------|---|
| Speaker    | 8 Ohms  |
| Headphones | 3.5mm stereo jack plug, 8-32 Ohms (headphones not included) |

## Free Manuals Download Website

<http://myh66.com>

<http://usermanuals.us>

<http://www.somanuals.com>

<http://www.4manuals.cc>

<http://www.manual-lib.com>

<http://www.404manual.com>

<http://www.luxmanual.com>

<http://aubethermostatmanual.com>

Golf course search by state

<http://golfingnear.com>

Email search by domain

<http://emailbydomain.com>

Auto manuals search

<http://auto.somanuals.com>

TV manuals search

<http://tv.somanuals.com>