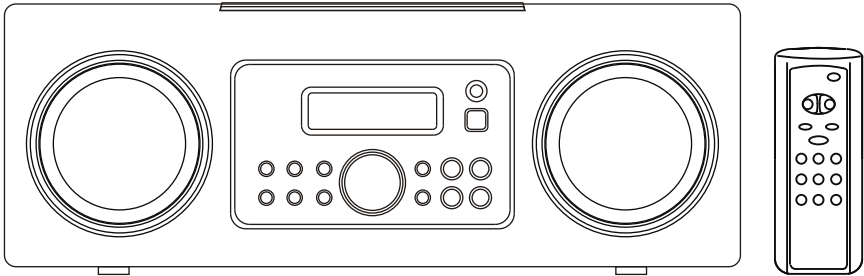


# ***SYLVANIA***

## **SRCD3830**



# **INSTRUCTION MANUAL**

# WARNING

- TO PREVENT FIRE OR SHOCK HAZARD, DO NOT USE THIS PLUG WITH AN EXTENSION CORD, RECEPTACLE OR OTHER OUTLET UNLESS THE BLADES CAN BE FULLY INSERTED TO PREVENT BLADE EXPOSURE.
- TO PREVENT FIRE OR SHOCK HAZARD. DO NOT EXPOSE THIS APPLIANCE TO RAIN OR MOISTURE.
- TO PREVENT ELECTRICAL SHOCK, MATCH WIDE BLADE PLUG TO WIDE SLOT FULLY INSERT.



The lightning flash with arrowhead symbol, within an equilateral triangle, is intended to alert the user to the presence of 'uninsulated' dangerous voltage within the product's enclosure that may be of sufficient magnitude to constitute a risk of electric shock to persons.

## CAUTION


**RISK OF ELECTRIC SHOCK  
DO NOT OPEN**



Warning: To reduce the risk of electric shock do not remove cover (or back), no user serviceable parts inside refer servicing to qualified service personnel.

The exclamation point within an equilateral triangle is intended to alert the user to the presence of important operating and maintenance (servicing) instructions in the literature accompanying the appliance.

## IMPORTANT SAFETY INSTRUCTIONS

- 1) Read these instructions.
  - 2) Keep these instructions.
  - 3) Heed all warnings.
  - 4) Follow all instructions.
  - 5) Do not use this apparatus near water.
  - 6) Clean only with dry cloth.
  - 7) Do not block any ventilation openings. Install in accordance with the manufacturer's instructions.
  - 8) Do not install near any heat sources such as radiators, heat registers, stoves, or other apparatus (including amplifiers) that produce heat.
  - 9) Do not defeat the safety purpose of the polarized or grounding-type plug. A polarized plug has two blades with one wider than the other. A grounding type plug has two blades and a third grounding prong. The wide blade or the third prong are provided for your safety. If the provided plug does not fit into your outlet, consult an electrician for replacement of the obsolete outlet.
  - 10) Protect the power cord from being walked on or pinched particularly at plugs, convenience receptacles, and the point where they exit from the apparatus.
  - 11) Only use attachments/accessories specified by the manufacturer.
  - 12) Use only with the cart, stand, tripod, bracket, or table specified by the manufacturer, or sold with the apparatus. When a cart is used, use caution when moving the cart/apparatus combination to avoid injury from tip-over.
- 
- 13) Unplug this apparatus during lightning storms or when unused for long periods of time.
  - 14) Refer all servicing to qualified service personnel. Servicing is required when the apparatus has been damaged in any way, such as power-supply cord or plug is damaged, liquid has been spilled or objects have fallen into the apparatus, the apparatus has been exposed to rain or moisture, does not operate normally, or has been dropped.
  - 15) This appliance shall not be exposed to dripping or splashing water and that no object filled with liquids such as vases shall be placed on apparatus.

# IMPORTANT NOTES

Avoid installing this unit in places exposed to direct sunlight or close to heat radiating appliances such as electric heaters, on top of other stereo equipment that radiates too much heat, places lacking ventilation or dusty areas, places subject to constant vibration and/or humid or moist areas.

Do not attempt to clean this unit with chemical solvents as this might damage the finish. Use a clean dry cloth.

Operate controls and switches as described in the manual.

Before turning On the power, make certain that power cord is properly installed.

Store your CDs, in a cool area to avoid damage from heat.

When moving the set, be sure to first disconnect the power cord.

## CLASS 1 LASER PRODUCT

CLASS 1 LASER PRODUCT  
APPAREIL LASER DE CLASSE 1  
PRODUCTO LASER DE CLASE 1

CAUTION  
INVISIBLE LASER RADIATION  
WHEN OPEN AND INTERLOCKS  
DEFEATED.  
AVOID EXPOSURE TO BEAM



This product contains a low power Laser Device.

## FCC INFORMATION

This equipment has been tested and found to comply with the limits for a Class B digital device, pursuant to Part 15 of the FCC Rules. These limits are designed to provide reasonable protection against harmful interference in a residential installation. This equipment generates, uses, and can radiate radio frequency energy and, if not installed and used in accordance with the instructions, may cause harmful interference to radio communications. However, there is no guarantee that interference will not occur in a particular installation. If this equipment does cause harmful interference to radio or television reception, which can be determined by turning the equipment off and on, the user is encouraged to try to correct the interference by one or more of the following measures:

Reorient or relocate the receiving antenna.

Increase the separation between the equipment and receiver.

Connect the equipment into an outlet on a circuit different from that to which the receiver is connected.

Consult the dealer or an experienced radio/TV technician for help.

This device complies with Part 15 of the FCC Rules. Operation is subject to the following two conditions:

- (1) This device may not cause harmful interference, and
- (2) This device must accept any interference received, including interference that may cause undesired operation.

# PREPARATION FOR USE

## UNPACKING AND SET-UP

Carefully remove the unit from the carton and remove all packing material from the unit.

Remove any labels or stickers which may be on the front or top of the set, but do not remove any labels from the back or bottom.

We suggest that you retain the original carton and packing materials in case it ever becomes necessary to return your unit for service. This is the only sure way to protect the unit from damage in transit.

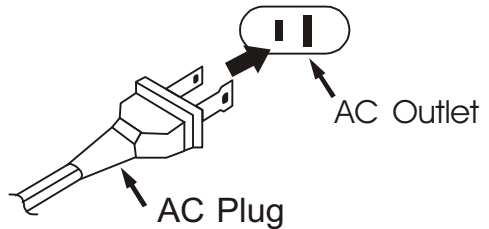
Remove any small strips of tape that may have been used to prevent the CD door from opening in transit.

Unwind the lead wire FM antenna on the back of the unit and extend it to its full length.

The unit is shipped with a dummy CD display card in the CD player. This dummy CD card must be removed before you can use the CD player. Refer to the PLAYING COMPACT DISCS instructions on Page 12.

## POWER SOURCE

This system is designed to operate on 120V 60Hz AC house current . Connecting this system to any other power supply could result in damage to the unit which is not covered by your warranty. You will note that this system is equipped with a polarized AC power plug having one blade wider than the other. This is a safety feature. If this plug does not fit into your existing AC outlet, do not try to defeat this safety feature by filing the wide blade to make it fit into your outlet. If this plug will not fit into your outlet, you probably have an out-dated non-polarized AC outlet. You should have your outlet changed by a qualified licensed electrician.



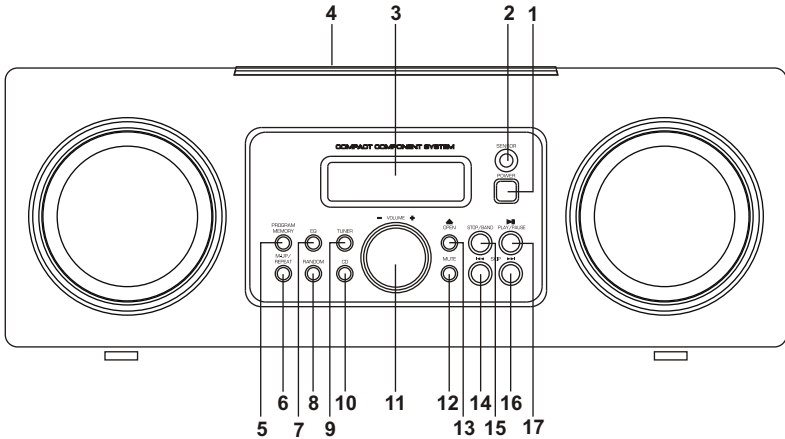
## AC Operation

- 1.) Unwind the AC Power Cord completely.
- 2.) Insert the plug into any convenient 120V 60Hz AC outlet.

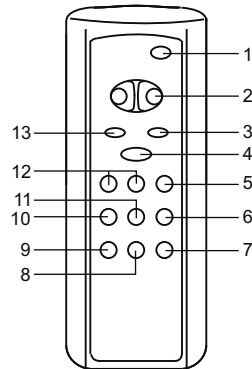
## PROTECT YOUR FURNITURE

This model is equipped with non-skid rubber 'feet' to prevent the product from moving when you operate the controls. These 'feet' are made from non-migrating rubber material specially formulated to avoid leaving any marks or stains on your furniture. However certain types of oil based furniture polishes, wood preservatives, or cleaning sprays may cause the rubber 'feet' to soften, and leave marks or a rubber residue on the furniture. To prevent any damage to your furniture we strongly recommend that you purchase small self-adhesive felt pads, available at hardware stores and home improvement centers everywhere, and apply these pads to the bottom of the rubber 'feet' before you place the product on fine wooden furniture.

# LOCATION OF CONTROLS AND INDICATORS



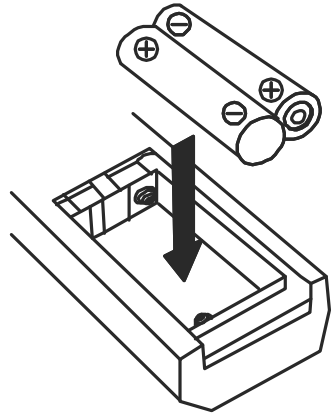
- 1.) POWER Button
- 2.) Remote Sensor
- 3.) LCD Display
- 4.) CD Compartment
- 5.) PROGRAM / MEMORY Button
- 6.) M-UP / REPEAT Button
- 7.) Preset Equalizer Button
- 8.) RANDOM Button
- 9.) TUNER Button
- 10.) CD Button
- 11.) VOLUME +/- Knob
- 12.) MUTE Button
- 13.) CD OPEN Button ▲
- 14.) Skip Backward Button ◀◀
- 15.) STOP / BAND Button
- 16.) Skip Forward Button ▶▶
- 17.) PLAY / PAUSE Button ▶▶||



- 1.) POWER Button
- 2.) VOLUME +/- Button
- 3.) Preset Equalizer Button
- 4.) BAND / STOP Button
- 5.) PLAY / PAUSE Button ▶▶||
- 6.) RANDOM Button
- 7.) SLEEP Button
- 8.) TIMER Button
- 9.) FUNCTION Button
- 10.) M-UP / REPEAT Button
- 11.) MEMORY / CLOCK Button
- 12.) SKIP Forward ▶▶|| /  
SKIP Backward ◀◀ Button
- 13.) MUTE Button

## BATTERY INSTALLATION

- 1.) Open the battery compartment cover.
- 2.) Insert two "AAA" (UM4) batteries (not included) to match the polarities as indicated inside the battery compartment.
- 3.) Close the cover.



**NOTE:** When the batteries become too weak, the operating distance of the remote controller is greatly reduced and you will need to replace the batteries.

## USING THE REMOTE CONTROLLER CORRECTLY

Point the remote controller at the Remote Sensor.

The functions of the buttons on the remote control are the same as the corresponding controls on the main unit.

When there is a strong ambient light source, the performance of the infrared Remote Sensor may be degraded, causing unreliable operation.

The maximum effective distance for remote control operation is about 15 feet.

### BATTERY PRECAUTIONS

Follow these precautions when using batteries in this device:

1. Use only the size and type of batteries specified.
2. Be sure to follow the correct polarity when installing the batteries as indicated in the battery compartment. Reversed batteries may cause damage to the device.
3. Do not mix different types of batteries together (e.g. Alkaline and Carbon-Zinc) or old batteries with fresh ones.
4. If the device is not to be used for a long period of time, remove the batteries to prevent damage or injury from possible battery leakage.
5. Do not try to recharge batteries not intended to be recharged; they can overheat and rupture. (Follow battery manufacturer's directions.)

# OPERATING INSTRUCTIONS

Make sure that the FM Antenna is fully extended.

Make sure that you have installed batteries in the remote control.

Make sure that the AC power cord is connected to an outlet that is always "live". Do not connect to an outlet that is controlled by a wall switch.

## GENERAL CONTROLS

### Volume Adjustments

Adjust the VOLUME knob on the front panel or the Volume button on the remote control to increase or decrease the volume. The volume level indicator appears in the main display. The range is from 00 db (Minimum) to 80 db (Maximum). The system remembers the volume level when the power is switched Off and returns to the same level when the power is switched On again.

### Preset Equalizer (EQ)

This system has a 3-Band Preset Electronic Equalizer that allows you to adjust the tone output for the most popular types of music. The settings are "CLASSIC", "ROCK", "POP".

To change the EQ setting press the EQ button on the front panel or on the remote control until the desired setting appears in the main display.

### MUTE Button

To temporarily shut off the sound from the speakers, press the MUTE button. The MUTE indicator will appear in the display and the sound will stop. Press the MUTE button again to cancel Mute and restore the sound. The MUTE indicator will disappear from the display.

### Phone Jack

For private listening without disturbing others, connect a set of stereo headphones (not included) to the PHONES Jack on the rear panel. The speakers are automatically shut off when stereo headphones, are connected to the headphone jack. When using stereo headphones always start with the volume control set to a low level and gradually increase until you find the desired level.

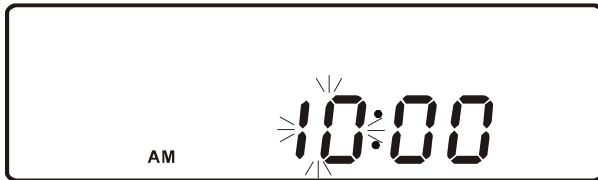


## SETTING THE CLOCK

- 1.) Switch the unit to Standby mode by pressing the POWER button.
- 2.) Press and hold the MEMORY/CLOCK button on the remote. "24H" (24 Hour format) will flash in the display. Press the ◀◀ or ▶▶ button to select "12 H" (12 Hour format).



- 3.) Press the MEMORY/CLOCK button on the remote. The hour digits will flash. Press the ◀◀ or ▶▶ buttons to set the hour. The AM/PM indication will be changed automatically according to the hour setting.



- 4.) Press the MEMORY/CLOCK button on the remote again. The Hour is now set and the Minute digits will start to flash in the display.



- 5.) Press the ◀◀ or ▶▶ buttons to set the minutes.
- 6.) Press the MEMORY/CLOCK button on the remote again. The Minutes are now set and the clock will start counting.

### NOTE:

Clock time is only retained while the unit is plugged into the AC outlet. In the event of a power failure, the clock will need to be reset when the power resumes.

Clock time is only shown when unit is in Standby mode.

# LISTENING TO THE RADIO

- 1.) Press the POWER button on the main unit or the remote control. The main display will light up with information.
- 2.) If necessary, press the TUNER button on the front panel of main unit or the FUNCTION button on remote control to select the Tuner function. The display will show an AM or FM station frequency. To select a different band, press the STOP/BAND button.



- 3.) Tune to the desired frequency as follows:

## Manual Tuning

Repeatedly press the ►► or ◀◀ buttons until the frequency of the desired station appears on the display.

## Automatic Tuning

Press and hold the ►► or ◀◀ buttons until the display begins to move, then release the buttons. The tuner will search for the next available station and stop on that station. Repeat this procedure until the tuner stops on your desired station.

- 4.) Adjust the VOLUME and EQ controls as desired.
- 5.) If you have tuned to a FM Stereo station, the STEREO indicator will appear in the display.



- 6.) When you are finished listening, press the POWER button on the main unit or remote control to return to the Standby (Power Off) mode.

## PRE-SETTING STATIONS IN THE TUNER MEMORY

You can store total 20 preset stations in the memory. You can store up to 10 FM stations and 10 AM stations in the tuner memory for immediate recall.

To store available stations in memory:

- 1.) Follow step 3 under LISTENING TO THE RADIO in page 9 to select the first station you wish to store. Example: FM 103.5 MHz.



- 2.) When the desired station appears on the display, press the MEMORY button on the front panel or the remote control. The Channel # 01 indicator appears. And the MEMORY Indicator flashes in the display.



- 3.) Press the MEM-UP/REPEAT button on the front panel or remote control to select a preset channel number. (Example: Preset channel # 03.)



- 4.) Press the MEMORY button on the front panel or the remote control once more to enter the station in preset memory number 03.
- 5.) Repeat steps 1 through 4, selecting a different preset number in Step 3 each time until you have entered up to 10 FM stations in the tuner memory.
- 6.) Press the STOP/BAND button to select the AM band and follow the same procedure to enter up to 10 AM stations in the tuner memory.

## RECALLING PRESET STATIONS

Turn the unit on and select the desired band. Press the MEM-UP/REPEAT button on the front panel or the remote control repeatedly to scroll through the preset memories until the display shows the desired station.



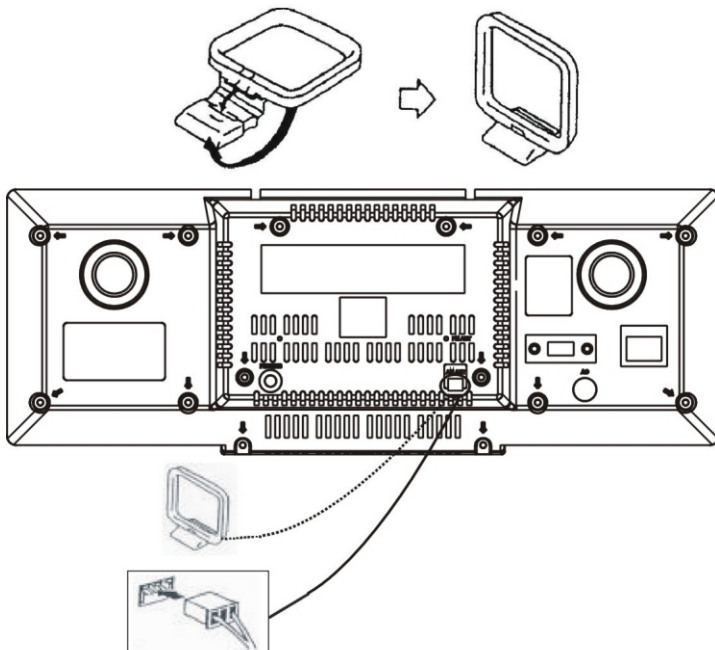
## CHANGING PRESET STATIONS

To change any preset station memory, select the desired band and tune to the new station you wish to store. Press the MEMORY button and then press the MEM-UP/REPEAT button to display the memory number you wish to change. Press the MEMORY button again to enter the new station in the memory. The new station is stored and the previous station is deleted from the memory.

## Antenna Information

### AM

Adjust the position and direction of the AM Loop Antenna until you find the position that provides the clearest reception for each of your favorite AM stations.



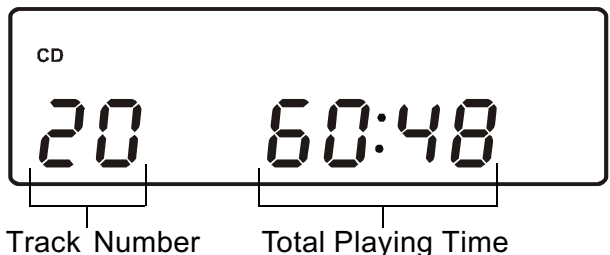
## **FM**

Adjust the direction of the FM antenna to find the position that provides the best reception.

## **PLAYING COMPACT DISCS**

**IMPORTANT:** This CD player can play normal CDs plus CD Recordable (CD-R) and CD Rewritable (CD-RW) discs. However, the playability of CD-R and CD-RW discs may be affected by the type of software that was used in 'ripping' the tracks from the original discs and 'burning' the tracks onto the blank media. Playability may also be affected by the quality and condition of the blank media you use for recording. 100% compatibility cannot be guaranteed. This is not an indication of any problems with your player.

- 1.) Press the POWER button to turn the system 'On'..
- 2.) Press the CD button on the front panel of the main unit or the FUNCTION button on the remote controls to operate the CD unit.
- 3.) Press the OPEN ▲ button on the front panel to open the CD door. The main display will show " - - - - ". If you have not already done so, remove the dummy CD from the player and discard it.
- 4.) Place a CD properly seated on the center spindle with the printed label side facing upward. Gently press down on the disc near the center to make sure that it is properly seated on the spindle.
- 5.) Close the CD door. The disc will spin and '0000:00' will flash in the display as the player reads the table of contents on the disc. Within a few seconds the disc will stop spinning and the display will show the total playing time and total tracks on the disc.



**Note:** If the disc is inserted upside down or if the disc is badly scratched and unreadable, playback will not be possible. In this case the main display will show "no DISC". Remove the disc and re-insert it properly or try another disc.

- 6.) Press the PLAY/PAUSE ►|| button on the front panel of the main unit or on the remote control to begin playback on track 1. The display will show the elapsed playing time of each track as it plays.



- 7.) Adjust the VOLUME and EQ controls as desired.
- 8.) When the last track is played, the player stops automatically and the display again shows the total playing time and tracks on the disc. You may also stop playback at any time by pressing the STOP ■ button on the front panel of the main unit or on the remote control.
- 9.) When you are finished listening, press the OPEN ▲ button to open the CD door and remove the disc.
- 10.) Press the POWER button to return the system to the Standby (Power Off) mode.

## Pause Control

To temporarily pause during CD playback, press the PLAY/PAUSE ►|| button on the front panel of the main unit or the remote control again. The sound stops and the elapsed time display flashes but the disc continues to spin. Press the PLAY/PAUSE ►|| button once more to cancel Pause mode and resume playback. The elapsed time display stops flashing.



## Skip/Search(▶▶ / ◀◀) Controls

To skip to higher or lower numbered tracks during playback, repeatedly press the ▶▶ or ◀◀ buttons until the desired track number appears in the display. Playback will begin on the desired track.

To perform high speed search within a track to locate a specific musical passage, depress and hold the ▶▶ or ◀◀ button. The player will move rapidly forward or backward as long as the buttons are depressed. When you hear the desired passage, release the buttons. Normal playback will resume at that point.

## To Start Playback On A Specific Track

Load the disc as usual and wait until the total playing time and track numbers appear on the display. Press the ▶▶ or ◀◀ button until the desired track number appears in the display, then press the PLAY/PAUSE ▶|| button to begin playback on that track.

## RANDOM Playback

This feature allows you to play all the tracks on a disc in random order.

Load the disc as usual and wait until the display shows the total playing time and number of tracks. Press the RANDOM button. The RANDOM indicator appears in the display. The tracks will be played in random order. After all tracks have played, the player stops and the display again shows the total playing time and number of tracks.



To cancel the Random mode, press the RANDOM button until the RANDOM indicator disappears. Random mode can also be cancelled by pressing the STOP/BAND button.

## REPEAT Playback

You can program the player to continuously repeat a single track or the entire disc. The Repeat function can be activated while a disc is playing or while the disc is stopped.

### One Track Repeat

Press the ►► or ◀◀ button until the desired track number appears in the display. Then press the REPEAT button once. The REPEAT indicator flashes in the display. Press the PLAY/PAUSE ►|| button to begin playback on that track. The selected track will be repeated continuously.



### All Tracks Repeat

Load the disc as usual and wait until the total playing time and track numbers appear on the display. Press the REPEAT button twice. The REPEAT indicator remains on. Press the PLAY/PAUSE ►|| button to begin playback. The entire disc will be repeated continuously.



To cancel Repeat Playback continue pressing the REPEAT button until the REPEAT indicator disappears. Repeat is also canceled by opening the CD Door or switching to Tuner function.



## Programmed Playback

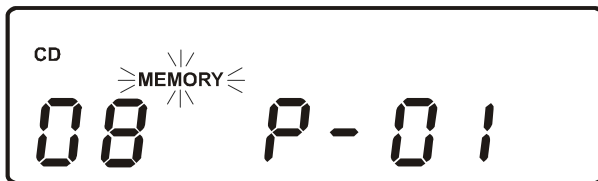
You can program up to 20 tracks on a disc to play back in any desired order. You may also program a specific track to play several times.

*Note: The player cannot be programmed while a disc is playing. If a disc is playing press the STOP ■ button to stop playback before you begin the programming steps below.*

- 1.) Press the FUNCTION button on the remote control or CD button on front panel to select CD mode. Insert your disc in the player, close the door, and wait until the total track number appears in the display.
- 2.) Press the MEMORY button once. The MEMORY Indicator flashes and program memory "P-01", Track 01 appears in the display.



- 3.) Use the ►► or ◀◀ buttons to select the first track to be programmed.  
(Example: Track 08).



- 4.) When track number "08" appears in the display, press the MEMORY button once again to enter the track "08" in program memory number "01". The track number returns to "00" and the program memory advances to "P-02" indicating that you may now select a track to be entered in program memory number "02" ..



- 5.) Use the ►► or ◀◀ buttons to select the next track to be programmed. When the desired track number appears in the display, press the MEMORY button again to enter that track in the program memory.
- 6.) Repeat Step 4 and 5 until you have entered up to 20 tracks in the program memory.
- 7.) To begin programmed playback, press the PLAY/PAUSE ►|| button. The display will show the first programmed track and playback will begin on that track. The MEMORY indicator stops flashing and remains in the display.

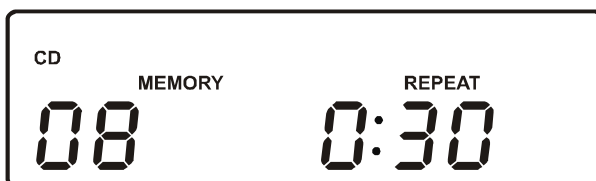


After the last programmed track has played, the player stops but the programmed tracks remain in the memory. To play the programmed tracks again, press the MEMORY button and then the PLAY/PAUSE ►|| button.

To cancel the programmed sequence from memory, press the STOP ■ button at programming mode or open the CD door.

## Program Repeat Playback

You can use the Program and Repeat features together to continuously repeat a programmed sequence of the tracks. First, program the desired tracks according to Steps 1 through 7 on the previous page. When Programmed Playback begins press the MEM-UP/REPEAT button twice to activate the "All Tracks Repeat" feature. The REPEAT Indicator appears in LCD display and all the tracks in your programmed sequence will be repeated continuously.



To cancel Programmed Repeat Playback, press the STOP ■ button until both the MEMORY and REPEAT Indicators disappear.

## TIMER Function (Remote Control Only)

This system includes a programmable Timer function that will turn the system 'On'. You can use the timer to wake you up to the radio or to your favorite CD. The timer can be programmed while the system is in the Standby (Power Off) mode, the Tuner mode or the CD mode.

*Note: You can set the turn-on time only in the standby mode.*

### To Set The Turn On Time

- 1.) Press the **TIMER** button (on the remote control) once. The "**AM 12:00**" appears and the **TIMER** indicator begins flashing in the display. Then press the **MEMORY/CLOCK** button for at least 3 seconds. The Hour digits begin to flash.

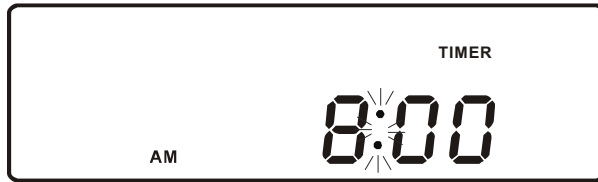


- 2.) Press the **▶▶** or **◀◀** button on the front panel of the main unit or the remote control to set the display to the desired turn- on hour **AM** or **PM**.
- 3.) Press the **MEMORY/CLOCK** button on the remote control. The Minute digits begin flashing.

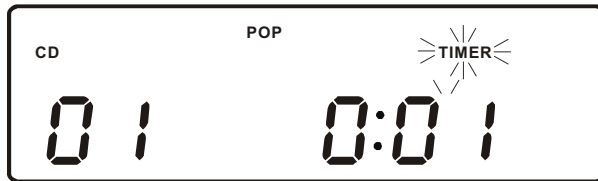


- 4.) Press the **▶▶** and **◀◀** buttons on the front panel of the main unit or the remote control to set the display to the desired turn-on minute.

- 5.) Press the **MEMORY/CLOCK** button once more to enter the turn-on time in the memory. After a few seconds, the **TIMER** display stops flashing and remains on and the display returns to the correct time, the Tuner display, or the CD display.



- 6.) At the selected 'On' time, the system will turn 'on' automatically to the last function selected, either Tuner or CD.



**NOTE:** If the system turns on to CD function it will only play until the end of the disc and then stop.

- As long as the **TIMER** indicator remains in the display the timer will turn the system on every day at the same time.
- To deactivate the timer, press the **TIMER** button (on the remote control) once. The **TIMER** indicator disappears.
- To reactivate the timer, press the **TIMER** button (on the remote control) once until the **TIMER** indicator reappears in the display.

## SLEEP Timer

This system supports a programmable Sleep Timer that will shut off the system in 10 to 90 minutes automatically.

### To Operate The Sleep Timer:

- 1.) Turn the system 'On' and operate either the Tuner or CD function as usual.

- 2.) Adjust the **VOLUME** controls to the desired level.
- 3.) Press the **SLEEP** button on the remote control.
- 4.) The display will show "90" indicating that the sleep timer will shut the power off after 90 minutes. The **SLEEP** indicator begins flashing.



Continue pressing the **SLEEP** button to decrease the amount of sleep timer operation. Each time you press the **SLEEP** button, you reduce the sleep time by 10 minutes.

- 5.) After a few seconds the Sleep Timer display disappears and the **SLEEP** indicator remains 'On'. When the Sleep Timer counts down to "00", the power shuts off automatically.



**NOTES:**

*You can shut the unit off manually before the Sleep Timer counts down to "00" by pressing the **STANDBY/ON** button at any time.*

*Remember that if you are falling asleep to CD you will also wake to CD, and if you fall asleep to the Tuner you will also wake to the Tuner.*

*If you are falling asleep to CD, the system will only operate until the CD ends.*

*If you set the Sleep Timer for 90 minutes but your CD is only 45 minutes long, the music will stop after 45 minutes.*

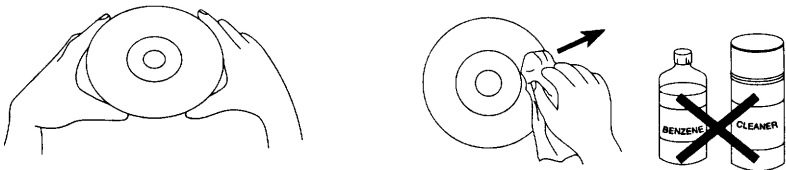
# CARE AND MAINTENANCE

## COMPACT DISC CARE

- To remove a disc from its storage case, press down on the centre of the case and lift the disc out, holding it carefully by the edges.



- Fingerprints and dust should be carefully wiped off the disc's recorded surface with a soft cloth. Unlike conventional records, compact discs have no grooves to collect dust and microscopic debris, so gently wiping with a soft cloth should remove most particles. Wipe in a straight line from the inside to the outside of the disc. Small dust particles and light stains will have absolutely no effect on reproduction quality.
- Clean the disc periodically with a soft, lint-free, dry cloth. Never use detergents or abrasive cleaners to clean the disc. If necessary, use a CD cleaning kit.
- Never write on or affix labels to the surface of compact discs.



## CARE OF THE CABINETS

- If the cabinets become dusty wipe them with a soft dry dust cloth. Do not use any wax or polish sprays on the cabinets.
- If the front panel becomes dirty or smudged with fingerprints it may be cleaned with a soft cloth slightly dampened with a mild soap and water solution. Never use abrasive cloths or polishes as these will mar the finish of your unit.

## CAUTION

Never allow any water or other liquids to get inside the unit while cleaning.

## TROUBLESHOOTING GUIDE

**Should this unit exhibit a problem, check the following before seeking service.**

Symptom	Possible Cause	Solution
<b>Radio</b>		
Noise or sound is distorted on AM or FM broadcasts.	Station not tuned properly for AM or FM.	Retune the AM or FM broadcast station.
	FM: Wire antenna is not extended.	Extend FM Wire antenna.
	AM: The frame antenna is not positioned correctly.	Reposition the antenna until best reception is obtained.
FM STEREO indicator does not light.	FM station is mono or station signal is weak.	Extend FM Wire antenna. Try other strong stations.
AM or FM, no sound.	Function is not set to Tuner.	Press TUNER button to select Tuner function.
	Volume at minimum.	Increase Volume.
<b>Compact Disc Player</b>		
CD Player will not play.	Function is not set to CD.	Press CD button to select CD function.
	CD is not installed or installed incorrectly.	Insert CD with label side up.
CD skips while playing.	Disc is dirty or scratched.	Wipe disc with cloth or use another disc.

For service assistance and product information, please call: 1-800-968-9853.

## Free Manuals Download Website

<http://myh66.com>

<http://usermanuals.us>

<http://www.somanuals.com>

<http://www.4manuals.cc>

<http://www.manual-lib.com>

<http://www.404manual.com>

<http://www.luxmanual.com>

<http://aubethermostatmanual.com>

Golf course search by state

<http://golfingnear.com>

Email search by domain

<http://emailbydomain.com>

Auto manuals search

<http://auto.somanuals.com>

TV manuals search

<http://tv.somanuals.com>