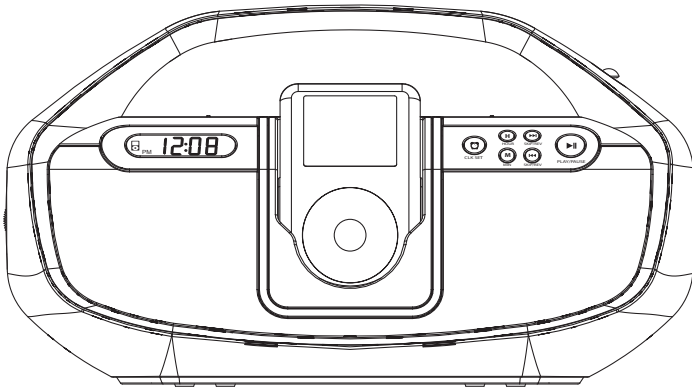


iMode^{SERIES} **SYLVANIA**

MODEL NO. SIP1005

PORTABLE DOCKING STATION FOR IPOD

OWNER'S MANUAL



PLEASE READ BEFORE OPERATING THIS EQUIPMENT

SAFETY INSTRUCTIONS



CAUTION

RISK OF ELECTRIC SHOCK
DO NOT OPEN



CAUTION: TO REDUCE THE RISK OF ELECTRIC SHOCK, DO NOT REMOVE COVER (OR BACK). NO USER-SERVICEABLE PARTS INSIDE. REFER SERVICING TO QUALIFIED SERVICE PERSONNEL.



DANGEROUS VOLTAGE:

The lightning flash with arrowhead symbol, within an equilateral triangle is intended to alert the user to the presence of uninsulated dangerous voltage within the product's enclosure that may be of sufficient magnitude to constitute a risk of electric shock to persons.



ATTENTION:

The exclamation point within an equilateral triangle is intended to alert the user to the presence of important operating and maintenance (servicing) instructions in the literature accompanying the appliance.

FCC WARNING:

This equipment may generate or use radio frequency energy. Changes or modifications to this equipment may cause harmful interference unless the modifications are expressly approved in the instruction manual. The user could lose the authority to operate this equipment if an unauthorized change or modification is made.

SURGE PROTECTORS:

It is recommended to use a surge protector for AC connection. Lightning and power surges ARE NOT covered under warranty for this product.

INFORMATION:

This equipment has been tested and found to comply with the limits for a Class B digital device, pursuant to Part 15 of the FCC Rules. These limits are designed to provide reasonable protection against harmful interference in a residential installation. This equipment generates, uses and can radiate radio frequency energy and, if not installed and used in accordance with the instructions, may cause harmful interference to radio communications. However, there is no guarantee that interference will not occur in a particular installation. If this equipment does cause harmful interference to radio or television reception, which can be determined by turning the equipment off and on, the user is encouraged to try to correct the interference by one or more of the following measures:

- * Reorient or relocate the receiving antenna.
- * Increase the separation between the equipment and receiver.
- * Connect the equipment into an outlet on a circuit different from that to which the receiver is connected.
- * Consult the dealer or an experienced radio/TV technician for help.

SAFETY INSTRUCTIONS

Before using the unit, be sure to read all operating instructions carefully. Please note that these are general precautions and may not pertain to your unit. For example, this unit may not have the capability to be connected to an outdoor antenna.

1. READ INSTRUCTIONS

All the safety and operating instructions should be read before the product is operated.

2. RETAIN INSTRUCTIONS

The safety and operating instructions should be retained for future reference.

3. HEED WARNINGS

All warnings on the product and in the operating instructions should be adhered to.

4. FOLLOW INSTRUCTIONS

All operating and use instructions should be followed.

5. CLEANING

Unplug this product from the wall outlet before cleaning. Do not use liquid cleaners or aerosol cleaners. Use a dry cloth for cleaning.

6. ATTACHMENTS

Do not use attachments not recommended by the product's manufacturer as they may cause hazards.

7. WATER AND MOISTURE

Do not use this product near water—for example: near a bathtub, washbowl, kitchen sink or laundry tub; in a wet basement; or near a swimming pool.

8. ACCESSORIES

Do not place this product on an unstable cart, stand, tripod, bracket or table. The product may fall, causing serious injury and serious damage to the product. Use only with a cart, stand, tripod, bracket or table recommended by the manufacturer or sold with the product. Any mounting of the product should follow the manufacturer's instructions, and should use a mounting accessory recommended by the manufacturer.

8A. An appliance and cart combination should be moved with care. Quick stops, excessive force and uneven surfaces may cause the appliance and cart combination to overturn.

9. VENTILATION

Slots and openings in the cabinet and in the back or bottom are provided for ventilation, to ensure reliable operation of the product and to protect it from overheating. These openings must not be blocked or covered. The openings should never be blocked by placing the product

on a bed, sofa, rug or other similar surface. This product should never be placed near or over a radiator or heat source. This product should not be placed in a built-in installation such as a bookcase or rack unless proper ventilation is provided or the manufacturer's instructions have been adhered to.

10. POWER SOURCES

This product should be operated only from the type of power source indicated on the marking label. If you are not sure of the type of power supply to your home, consult your appliance dealer or local power company. For products intended to operate from battery power, or other sources, refer to the operating instructions.

11. GROUNDING OR POLARIZATION

This product is equipped with a polarized alternating-current line plug (a plug having one blade wider than the other). This plug will fit into the power outlet only one way. This is a safety feature. If you are unable to insert the plug fully into the outlet, try reversing the plug. If the plug should still fail to fit, contact your electrician to replace your obsolete outlet. Do not defeat the safety purpose of the polarized plug.

12. POWER-CORD PROTECTION

Power-supply cords should be routed so that they are not likely to be walked on or pinched by items placed upon or against them, paying particular attention to cords at plugs, convenience receptacles, and the point where they exit from the appliance.

13. LIGHTNING

To protect your product from a lightning storm, or when it is left unattended and unused for long periods of time, unplug it from the wall outlet and disconnect the antenna or cable system. This will prevent damage to the product due to lightning and power-line surges.

14. POWER LINES

An outside antenna system should not be located in the vicinity of overhead power lines or other electric light or power circuits, or where it can fall into such power lines or circuits. When installing an outside antenna system, extreme care should be taken to keep from touching such power lines or circuits as contact with them might be fatal.

15. OVERLOADING

Do not overload wall outlets and extension cords as this can result in a risk of fire or electric shock.

16. OBJECT AND LIQUID ENTRY

Never push objects of any kind into this product through openings as they may touch dangerous

PORTABLE CART WARNING
(symbol provided by RETAC)

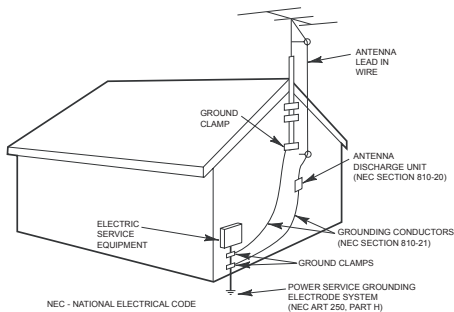


SAFETY INSTRUCTIONS

voltage points or short out parts that could result in fire or electric shock. Never spill or spray any type of liquid on the product.

17. OUTDOOR ANTENNA GROUNDING

If an outside antenna is connected to the product, be sure the antenna system is grounded so as to provide some protection against voltage surges and built-up static charges. Section 810 of the National Electric Code, ANSI/NFPA 70, provides information with respect to proper grounding of the mast and supporting structure, grounding of the lead-in wire to an antenna discharge product, size of grounding conductors, location of antenna discharge product, connection to grounding electrodes and requirements for grounding electrodes.



EXAMPLE OF ANTENNA GROUNDING AS PER NATIONAL ELECTRICAL CODE

18. SERVICING

Do not attempt to service this product yourself as opening or removing covers may expose you to dangerous voltage or other hazards. Refer all servicing to qualified service personnel.

19. REPLACEMENT PARTS

When replacement parts are required, be sure the service technician uses replacement parts specified by the manufacturer or those that have the same characteristics as the original part. Unauthorized substitutions may result in fire, electric shock or other hazards.

20. SAFETY CHECK

Upon completion of any service or repairs to this product, ask the service technician to perform safety checks to determine that the product is in proper operating condition.

21. WALL OR CEILING MOUNTING

The product should be mounted to a wall or ceiling only as recommended by the manufacturer.

22. DAMAGE REQUIRING SERVICE

Unplug the product from the wall outlet and refer servicing to qualified service personnel under the following conditions:

- When the power-supply cord or plug is damaged.
- If liquid has been spilled or objects have fallen into the product.
- If the product has been exposed to rain or water.
- If the product does not operate normally by following the operating instructions. Adjust only those controls that are covered by the operating instructions, as an adjustment of other controls may result in damage and will often require extensive work by a qualified technician to restore the product to its normal operation.
- If the product has been dropped or the cabinet has been damaged.
- When the product exhibits a distinct change in performance this indicates a need for service.

23. HEAT

The product should be situated away from heat sources such as radiators, heat registers, stoves or other products (including amplifiers) that produce heat.

24. NOTE TO CATV SYSTEM INSTALLER

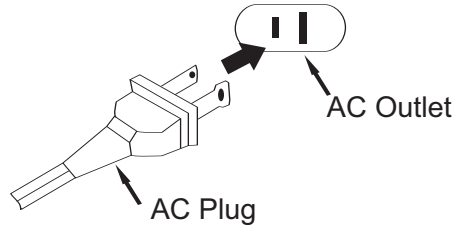
This reminder is provided to call the CATV system installer's attention to Article 820-40 of the NEC that provides guidelines for proper grounding and, in particular, specifies that the cable ground shall be connected to the grounding system of the building, as close to the point of cable entry as practical.

POWER SOURCE

AC Operation:

Unwind the AC power cord and extend it to its full length. Insert the small plug of the AC power cord to the unit. Insert the AC plug of the cord into any convenient 120V 60Hz household outlet.

Please note that this unit is equipped with a polarized AC plug which has one blade wider than the other. This is a safety feature to reduce the likelihood of electric shock. This polarized AC plug will only fit in a polarized AC outlet. If you find that you cannot insert this plug into your outlet, you may have an obsolete non-polarized outlet. Please do not try to defeat this safety feature by using a non-polarized adaptor or by filling the wider blade to make it fit into your outlet. If this plug does not fit into your outlet, you should contact a qualified licensed electrician to replace your obsolete outlet.



DC Operation:

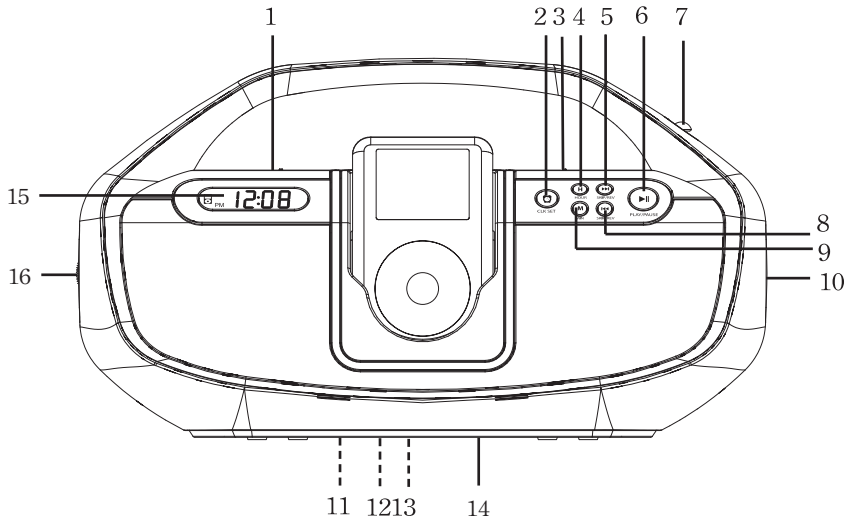
Install eight (8) "C" size batteries (not included) into the battery compartment on the bottom of the unit as the polarity marking inside the battery compartment.

Note: when the AC cord is plug in the unit. Battery power will be cut off automatically.

Protect Your Furniture:

This model is equipped with non-skid rubber 'feet' to prevent the product from moving when you operate the controls. These 'feet' are made from non-migrating rubber material specially formulated to avoid leaving any marks or stains on your furniture. However certain types of oil based furniture polishes, wood preservatives, or cleaning sprays may cause the rubber 'feet' to soften, and leave marks or a rubber residue on the furniture. To prevent any damage to your furniture we strongly recommend that you purchase small self-adhesive felt pads, available at hardware stores and home improvement centers everywhere, and apply these pads to the bottom of the rubber 'feet' before you place the product on fine wooden furniture.

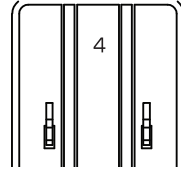
LOCATION OF CONTROLS



1. FUNCTION SELECTOR (POWER OFF -- IPOD/AUX -- RADIO)
2. CLK (CLOCK) SET BUTTON
3. BAND SWITCH (FM ST -- AM)
4. HOUR BUTTON
5. SKIP/FWD ►► BUTTON
6. PLAY/PAUSE ►|| BUTTON
7. FM ANTENNA
8. SKIP/REV ◀◀ BUTTON
9. MIN (MINUTE) BUTTON
10. TUNING KNOB
11. AC IN JACK (REAR OF UNIT)
12. AUX IN JACK (REAR OF UNIT)
13. AUX OUT JACK (REAR OF UNIT)
14. BATTERY COMPARTMENT (BOTTOM OF UNIT)
15. LCD DISPLAY
16. VOLUME KNOB

PERIPHERALS

iPOD BRACKET NO. →



iPod BRACKET NO.

iPod MODEL

1	iPod Nano 2GB, 4GB
2	iPod Nano 2nd Gen.* 2GB, 4GB, 8GB
3	iPod Mini 4GB, 6GB
4	iPod with Video 30GB
5	iPod with Video 60GB, 80GB
6	3rd Gen. iPod 10GB, 15GB, 20GB
	4th Gen. iPod 20GB
	U2 iPod 20GB
	iPod Photo, Color, U2 iPod 20GB, 30GB
	iPod with Color Display 20GB

PLEASE MOVE THE CONNECTOR TO THE LEFT SIDE BEFORE INSERTING THE BRACKET.

OPERATION

CLOCK SETTING:

- Slide the FUNCTION Selector to POWER OFF or iPod/AUX position.
- Press and hold the CLK (Clock) button. Press the HOUR button simultaneously and repeatedly to adjust the hour.
- Press and hold the CLK (Clock) button. Press the MIN (Minute) button simultaneously and repeatedly to adjust the minute.

Note: If the unit has not connected to the AC power and the batteries had not installed. When you connect the unit to AC power or install the batteries again. Clock need to reset.

Listening with Radio:

- Slide the FUNCTION Selector to RADIO position to power on the unit.
- Slide the BAND Switch to AM or FM-ST (Stereo) position as desire. The radio station frequency will appear on the display.
- Turn the TURNING Knob to receiver a radio station as desire.
- Turn the VOLUME Knob to adjust the volume as desire.
- When finished listening, slide the FUNCTION Selector to POWER OFF position to power off the unit.

ANTENNAS

AM - This unit has a build in ferrite rod antenna, which provides adequate reception in most areas. If reception is weak, turn the unit to improve reception.

FM - The FM Rod Antenna is for FM reception only. If reception is weak, adjust the length and the direction of the antenna.

Listening and Charging The iPod (iPod not included)

- Chose the correct adaptor as the list on page 6 to hold the iPod tightly on the unit.
- In power off mode, insert the iPod to the docking on the front of unit.
- Slide the FUNCTION Selector to the iPod/AUX position.
- The iPod will be power on automatically.
- Set the iPod to plays the music as usual, or
 - Press the Play/Pause button on the unit to start playback.
Press this button again to pause playback. Press again to resume normal playback.
 - Press the SKIP FWD/REV buttons on the unit to searching music.
- Adjust the volume by turn the volume knob on the unit or press volume control buttons on the iPod.
- When finished listening, power off the unit by slide the FUNCTION Selector to POWER OFF position.

OPERATION

NOTE:

- If your iPod don't fit to the enclosed adaptor ,connect it via the AUX IN jack as the section of AUX IN below.
- To recharge the iPod, insert the iPod to the docking, the iPod will be recharge automatically.

AUX IN JACK:

- Connect a 3.5mm mini jack stereo connection cable (not included) to the AUX IN jack on the rear of unit to the Phones/Line out/ AUX out jack on the external device such like MP3 Players, CD Discman, MP4 Players etc.
- Slide the FUNCTION Selector to iPod/AUX position.
- Turn the VOLUME Knob to adjust the volume as desire.
- When finished listening, slide the FUNCTION Selector to POWER OFF position to power off the unit.

AUX OUT JACK:

- To connect an external amplifier, connect a 3.5mm mini jack connection cable (not included) to the AUX OUT jack on the rear of unit to the AUX IN/LINE IN jack on the external amplifier.
- Plays the Radio or Music as above procedure.

TROUBLESHOOTING GUIDE

PROBLEM	POSSIBLE CAUSE	SOLUTION
---------	----------------	----------

GENERAL

No sound is heard.	Power is not on.	Slide the FUNCTION Selector.
	VOLUME Control is set to minimum.	Adjust the VOLUME Control.

RADIO

No sound is heard.	Station has not been tuned properly.	Tune station properly
	FM reception is weak.	Extend the FM antenna.
	Wrong function is selected.	Slide the FUNCTION selector to the radio position.

iPod does not dock properly	Using no or wrong iPod insert.	Make sure the dock insert is the proper fit for your iPod.
	iPod didn't install properly .	Remove your iPod from the dock and check for obstruction on the connectors in the dock and on your iPod. Then reseal it in the dock.
iPod does not respond to the unit	iPod is not installed properly.	Remove your iPod from the dock and check for obstruction on the connectors in the dock and on your iPod. Then reseal it in the dock.
	iPod is locked up.	Please make sure your iPod is working properly before docking into the unit. Please refer to your iPod manual for details.
iPod didn't charge up	iPod is not installed properly .	Remove your iPod from the dock and check for obstruction on the connectors in the dock and on your iPod. Then reseal it in the dock.

SPECIFICATION

Power Requirement:	AC ~ 120V 60Hz
Batteries:	DC12V (1.5V x 8 "C" size, UM-2 batteries)
Frequency Range:	FM 88 - 108 MHz AM 530 - 1710 KHz
Power Consumption:	18W

iMode^{SERIES} **SYLVANIA**

LIMITED PRODUCT WARRANTY

This quality product is warranted to be free from manufacturer's defects in material and workman-ship, provided that the unit is used under the normal operating conditions intended by the manufacturer.

Should you have any problem with this product, please and it is highly recommended to visit our website at www.curtisint.com before you take any other steps as we have additional copies of instruction manuals, operating manuals and trouble shooting tips on our website which gives you the answer on most of the questions you could have in operating the unit.

TERMS OF WARRANTY

C.I. Service Dept. warrants this product to be free from defects in materials and workmanship for 1 year on parts and 90 days on labor. If you originally purchased your product more than 90 days ago, a repair fee may apply.

Nothing within this warranty shall imply that C.I. will be responsible or liable for any damage to any items placed in this product, whether due to any defect of the product, or its use, whether proper or improper.

EXCLUSIONS

Save as herein provided, C.I. Service Dept. (Canada) or C.I. Service Dept. (USA), there are no other warranties, conditions, representations or guarantees, express or implied, made or intended by C.I. or its authorized distributors and all other warranties, conditions, representations or guarantees, including any warranties, conditions, representations or guarantees under any Sale of Goods Act or like legislation or statute is hereby expressly excluded. Save as herein provided, C.I. Service Dept. (Canada) or C.I. Service Dept. (USA), shall not be responsible for any damages to persons or property, including the unit itself, howsoever caused or any consequential damages arising from the malfunction of the unit and by the purchase of the unit, the purchaser does hereby agree to indemnify and save harmless C.I. from any claim for damages to persons or property caused by the unit.

TO OBTAIN REPAIRS UNDER THE TERMS OF THIS WARRANTY

1. The original purchaser must present a copy of the original bill of sale and the service warranty card.
2. Any alterations, abuse, misuse, battery corrosion or accidental damage voids the warranty.
3. The warranty does not cover cabinets and accessories.
4. No warranty or insurance contained or set out shall apply when damage or repair is caused by power failure; damage in transit or when moving the unit; improper power supply; use for commercial or industrial purposes; service calls resulting in customer education, etc.
5. The defective product should be mailed to:

Canada
C.I. Service Dept.
315 Attwell Dr

Toronto, Ontario
M9W 5C1

U.S.A
C.I. Service Dept.
2215 Kenmore Avenue

Ste 100
Buffalo, N.Y.

14207

For service assistance and product information, please call: 1-800-968-9853.

If mailing the product, the freight must be prepaid and a money order for \$7.00 should be included to cover the cost of insurance and the return of the product.

6. C.I. reserves the right to repair or replace the parts which have become defective.

Model No. _____ Date Purchased _____ Serial No. _____

Free Manuals Download Website

<http://myh66.com>

<http://usermanuals.us>

<http://www.somanuals.com>

<http://www.4manuals.cc>

<http://www.manual-lib.com>

<http://www.404manual.com>

<http://www.luxmanual.com>

<http://aubethermostatmanual.com>

Golf course search by state

<http://golfingnear.com>

Email search by domain

<http://emailbydomain.com>

Auto manuals search

<http://auto.somanuals.com>

TV manuals search

<http://tv.somanuals.com>