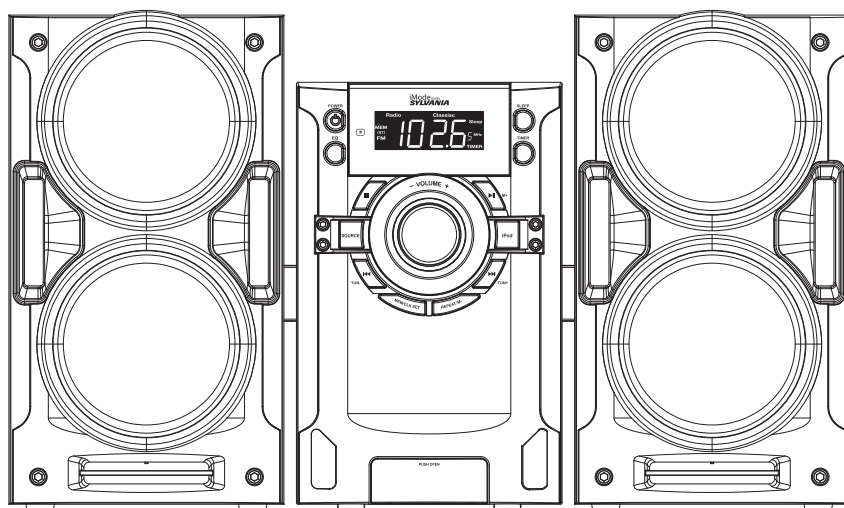


iMode^{SERIES} **SYLVANIA**

MODEL NO. SIP1527

HOME MUSIC SYSTEM FOR IPHONE AND IPOD

INSTRUCTION MANUAL



PLEASE READ BEFORE OPERATING THIS EQUIPMENT

Warnings and Precautions

TO PREVENT FIRE OR SHOCK HAZARDS, DO NOT EXPOSE THIS UNIT TO RAIN OR MOISTURE.



This symbol, located on back or bottom of the unit, is intended to alert the user to the presence of un-insulated “dangerous voltage” within the product’s enclosure that may be of sufficient magnitude to constitute a risk of electric shock to persons.



This symbol, located on back or bottom of the unit, is intended to alert the user to the presence of important operating and maintenance (servicing) instructions in the literature accompanying the appliance.

Any use of the controls or an adjustment to the procedures other than those specified herein may result in hazardous radiation.

CAUTION : TO PREVENT ELECTRIC SHOCK, MATCH WIDE BLADE OF PLUG TO WIDE SLOT, FULLY INSERT.

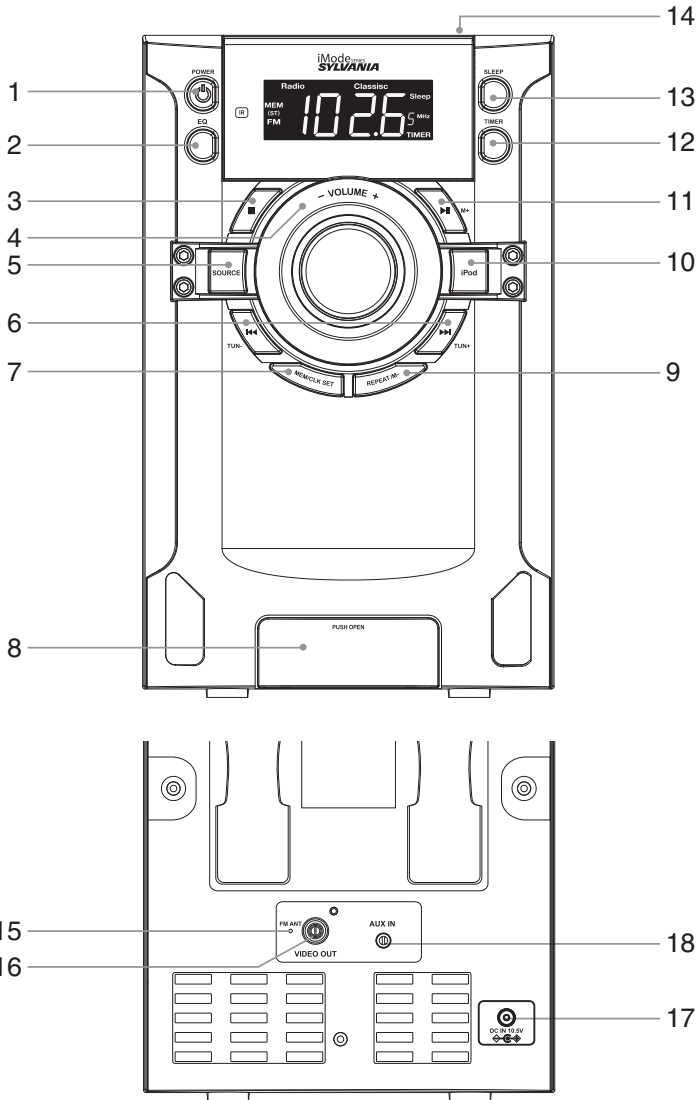
To reduce the risk of electric shock, do not remove cover (or back). There are no user-serviceable parts inside. Please refer any servicing to qualified service personnel.

WARNING: Changes or modifications to this unit not expressly approved by the party responsible for compliance could void the user’s authority to operate the equipment.

NOTE: This equipment has been tested and found to comply with the limits for a Class B digital device, pursuant to Part 15 of the FCC Rules. These limits are designed to provide reasonable protection against harmful interference in a residential installation. This equipment generates, uses, and can radiate radio frequency energy and, if not installed and used in accordance with the instructions, may cause harmful interference to radio communications. However, there is no guarantee that interference will not occur in a particular installation. If this equipment does cause harmful interference to radio or television reception, which can be determined by turning the equipment off and on, the user is encouraged to try to correct the interference by one or more of the following measures:

- Reorient or relocate the receiving antenna.
- Increase the separation between the equipment and receiver.
- Connect the equipment into an outlet on a circuit different from that to which the receiver is connected.
- Consult the dealer or an experienced radio/TV technician for help.

Features



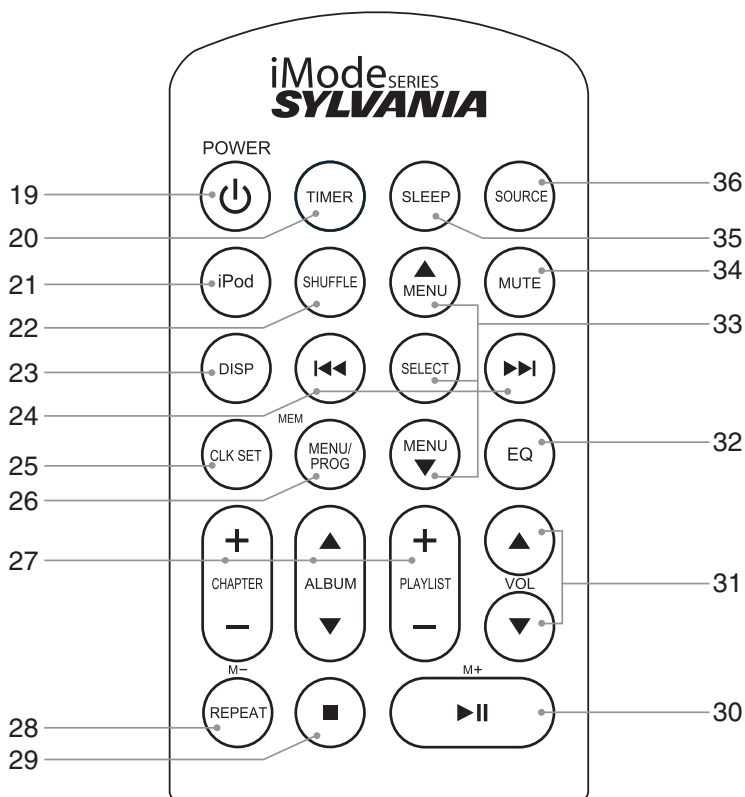
Features Defined

- 1 **POWER** Press to power the music system off or on.
 - 2 **EQ** Press to adjust the preset EQ to Rock, Classic, Jazz, Pop, or Normal.
 - 3 **STOP** Press to stop a CD during play.
 - 4 **VOLUME** Turn to adjust the volume.
 - 5 **SOURCE** Press to switch to radio, CD, Aux, or iPod modes.
 - 6 **SKIP/SEARCH TUNE (+-)/TIME(+/-)** Press to skip between tracks on a docked iPod, iPhone, or loaded CD. Press and hold to search through an individual track. Press to tune the FM radio. Press to adjust the time when setting the clock or timer.
 - 7 **MEM/CLK SET** Press to set the clock or save a radio station. Press to program a CD.
 - 8 **DOCK for iPhone and iPod**
 - 9 **REPEAT/MEM-** Press to repeat the current track or an entire album/playlist. Press to cycle through saved radio stations.
 - 10 **iPod** Press to switch to iPod mode.
 - 11 **PLAY/PAUSE/MEM+** Press to play or pause a docked iPhone or iPod or a loaded CD. Press the cycle through saved radio stations.
 - 12 **TIMER** Press to view, set, and activate or deactivate the timer.
 - 13 **SLEEP** Press repeatedly to set the sleep timer or turn the sleep timer off.
 - 14 **OPEN/CLOSE** Press to open or close the CD door.
 - 15 **FM WIRE ANTENNA**
 - 16 **COMPOSITE VIDEO OUTPUT**
 - 17 **DC POWER INPUT**
 - 18 **3.5MM AUDIO INPUT**
-

Peripherals

WARNING: Danger of explosion if batteries are incorrectly installed. Replace only with the same or equivalent type.

The button cell battery contains mercury. Do not put in the trash, instead recycle or dispose of as hazardous waste.



Notes: Buttons that are not defined in the Peripherals section, are defined in the Features section.

Peripheral Defined

- **19 POWER** Press to power the music system off or on.

- 20 TIMER** Press to view, set, and activate or deactivate the timer.

- 21 iPod** Press to switch to iPod mode.

- 22 SHUFFLE** Press to play tracks in a random order from a docked iPhone or iPod.

- 23 DISPLAY** Press to view the time when in radio mode.

- 24 SKIP/SEARCH** Press to skip between tracks on a docked iPod, iPhone, or loaded CD. Press and hold to search through an individual track. Press to tune the FM radio. Press to adjust the time when setting the clock or timer.

- 25 CLK SET** Press and hold to set the clock.

- 26 MENU/PROG/MEM** Press to cycle through menus on a docked iPhone or iPod. Press to program a CD. Press to save a radio station as a preset.

- 27 CHAPTER/ALBUM/PLAYLIST** Press to skip between chapters, albums, and playlists on a docked iPhone or iPod.

- 28 REPEAT/M-** Press to repeat the current track or an entire album/playlist. Press to cycle through saved radio stations.

- 29 STOP** Press to stop a CD during play.

- 30 PLAY/PAUSE/M+** Press to play or pause a docked iPhone or iPod or a loaded CD. Press the cycle through saved radio stations.

- 31 VOLUME** Press to adjust the volume.

- 32 EQ** Press to adjust the preset EQ to Rock, Classic, Jazz, Pop, or Normal.

- 33 MENU/SELECT** Press to navigate the menu on a docked iPhone or iPod and make selections.

- 34 MUTE** Press to mute the volume.

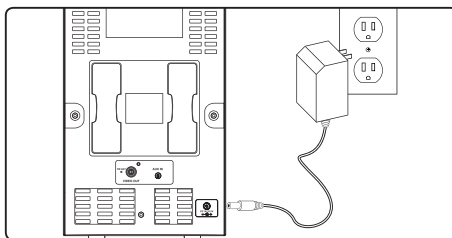
- 35 SLEEP** Press repeatedly to set the sleep timer or turn the sleep timer off.

- 36 SOURCE** Press to switch to radio, CD, Aux, or iPod modes.

Setup

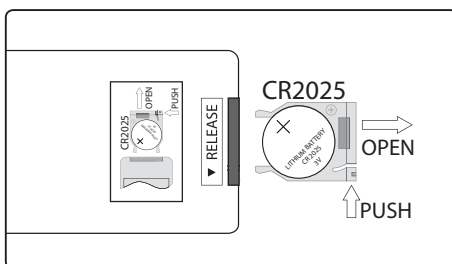
Power

Plug the included AC/DC power adapter into the DC POWER INPUT on the music system and an AC power outlet to power the music system.



Battery Power

Requires 1, CR2025, battery (pre-installed).



Clock and Sleep Timer

Setting the Clock

1. Press the **POWER** button to turn the music system off.
2. Press and hold the **CLK SET/MEM** button on the music system.
"12 Hr" will appear on the display.
3. Press the **SKIP/SEARCH** buttons to switch between 12 and 24 hour.
4. Press the **CLK SET/MEM** button to select 12 or 24 hour.

The hour will begin to blink on the display.

5. Press the **SKIP/SEARCH** buttons to adjust the hour.

An "AM" indicator will appear on the display when the time is set to the AM. A "PM" indicator will appear on the display when the time is set to the PM.

6. Press the **CLK SET/MEM** button to set the adjusted hour.

The minute will begin to blink on the display.

7. Press the **SKIP/SEARCH** buttons to adjust the minute.
8. Press the **CLK SET/MEM** button to finish setting the clock.

Using the Sleep Timer

1. Press the **POWER** button to turn the music system on.
2. While listening to music in iPod mode, radio mode, aux mode, or CD mode, press the **SLEEP** button repeatedly to set the sleep timer to the desired time.
3. After the selected time has expired, the music system will automatically power off.

Timer

Setting the Timer

1. Press the **POWER** button to turn the music system off.
2. Press the **TIMER** button.
The current timer settings will appear on the display.
3. Press and hold the **TIMER** button while the timer settings are on the display.

The "On Timer" hour will begin to blink. "On Timer" refers to the time that the music system will power on.

4. Press the **SKIP/SEARCH** buttons to adjust the "On Timer" hour. Press the **TIMER** button.

The "On Timer" minute will begin to blink.

5. Press the **SKIP/SEARCH** buttons to adjust the "On Timer" minute. Press the **TIMER** button.

The "Off Timer" hour will begin to blink. "Off Timer" refers to the time that the music system will power off.

6. Press the **SKIP/SEARCH** buttons to adjust the "Off Timer" hour. Press the **TIMER** button.

The "Off Timer" minute will begin to blink.

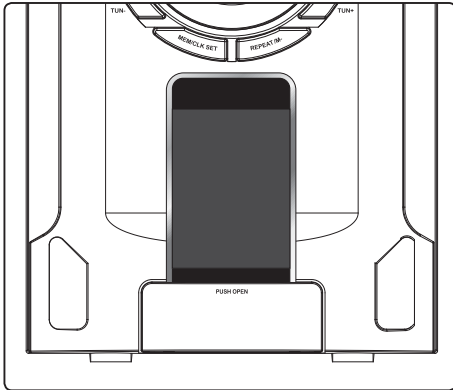
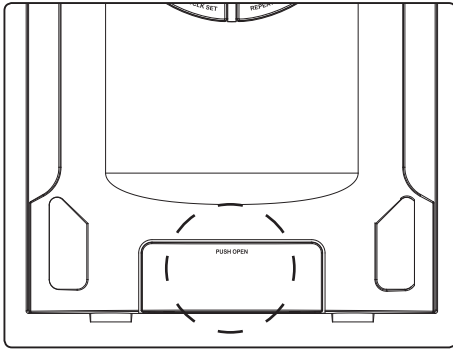
7. Press the **SKIP/SEARCH** buttons to adjust the "Off Timer" minute. Press the **TIMER** button to finish setting the timer.

8. Follow the instructions for [Activation or Deactivating the Timer.](#)

Activating or Deactivating the Timer

1. Press the **POWER** button to turn the music system off.
2. Press and hold the **TIMER** button.
"TIMER" will appear on the display, indicating the timer is activated.
3. To deactivate the timer, press and hold the **TIMER** button again until "TIMER" on the display disappears.

iPod and iPhone



Docking an iPod and iPhone

1. Locate the numbered bracket that fits the iPhone/iPod model that will be docked.

Each included bracket has a number on it, indicating which iPhone/iPod model that bracket is compatible with. See the separate bracket chart page to identify which bracket is needed.

2. Push the face of the dock to open the dock for iPhone and iPod.
3. Snap the bracket into place over the iPhone/iPod connector in the dock for iPhone/iPod.
4. Connect the iPhone or iPod to the connector inside the Dock for iPhone/iPod.

When the tower speaker is plugged in, using AC power, the docked iPhone or iPod will charge.

Playing an iPod and iPhone

1. Follow the instructions for [Docking an iPod and iPhone](#).
2. Press the **POWER** button to power on the music system.
3. Press the **iPod** button to switch to iPod/iPhone mode.

"iPod" and an iPod icon will appear on the display.

4. Press the **PLAY/PAUSE** button to begin playing music from the docked iPhone or iPod.

CD

Loading a CD

1. Press the **OPEN/CLOSE** button on the top of the music system to open the CD door.
2. Load a CD into the music system, label side facing up.
3. Close the CD door.

Playing a CD

1. Follow the instructions for [Loading a CD](#).
2. Press the **POWER** button to power the music system on.
3. Press the **SOURCE** button to switch to CD mode.
The track number will appear on the display, to the right of the time, when the music system is in CD mode.
4. Press the **PLAY/PAUSE** button to begin playing the loaded CD.

Programming a CD

1. Follow the instructions for [Playing a CD](#).
2. Press the **STOP** button.
The loaded CD must be stopped to create a program.
3. Press the **MENU/PROG./MEM** button on the remote.
"PROG" and a number, indicating the order in which the next selected track will play, will appear on the display.
4. Press the **SKIP/SEARCH** buttons to select a track.
5. Press the **MENU/PROG./MEM** button on the remote to save the selected track to the program.
6. Repeat steps 4 and 5 to program up to 20 tracks to play in the order they were selected.

Cancelling a Programmed CD

1. After programming the CD, press the **STOP** button twice to cancel the program.

FM Radio

Tuning the FM Radio

1. Press the **POWER** button to power the music system on.
2. Press the **SOURCE** button to switch to FM radio mode.
"Radio" will appear on the display.
3. Press the **TUNE +/-** buttons to tune the FM radio.

Adjust the position of the FM wire antenna to improve FM radio reception.

Saving an FM Radio Station

1. Follow the instructions for [Tuning the FM Radio](#).
2. Press the **TUNE +/-** buttons to tune the FM radio to the desired station.
3. Press and hold **CLK SET/MEM** button on the music system or the **MENU/PROG./MEM** button on the remote.

A preset number (P01) will appear on the display, indicating which preset the current station will be saved to.

4. Press the **TUNE +/-** buttons to adjust the preset number (P01 - P10).
5. Once the desired preset is selected, press the **CLK SET/MEM** button on the music system or the **MENU/PROG./MEM** button on the remote to save the current FM radio station to the selected preset.

Playing a Saved Radio Station

1. Follow the instructions for [Tuning the FM Radio](#) and [Saving an FM Radio Station](#).
2. Press the **MEM±** or **M±** buttons to cycle through saved radio stations.

Video Output

Connecting Other Digital Audio Devices

Using the Video Output

The **COMPOSITE VIDEO OUTPUT** will only output video from a docked iPhone or iPod with video capabilities.

Requires a composite RCA video cable (not included).

1. Follow the instructions for [Docking an iPod or iPhone](#) and [Playing an iPod or iPhone](#)
2. Check your iPod or iPhone video settings to make sure "TV OUT" is set to "ON" or "ASK".
3. Connect a composite RCA video cable to the **COMPOSITE VIDEO OUTPUT** on the music system and a composite video input on a television.
4. Adjust the connected television to the input setting used when connecting the two devices.
5. Video played through the docked iPod or iPhone will now be output to the connected TV.

3.5mm Audio Input

Using the 3.5mm Audio Input

Requires a 3.5mm audio cable (not included).

1. Connect a 3.5mm audio cable to the **3.5MM AUDIO INPUT** on the music system and the headphone jack or 3.5mm audio output on an MP3 player or other audio source.
2. Press the **POWER** button to power on the music system.
3. Press the **SOURCE** button to switch to AUX mode.
4. Use the native controls on the connected MP3 player or other audio source to control the music played through the music system.



LIMITED PRODUCT WARRANTY

This quality product is warranted to be free from manufacturer's defects in material and workman-ship, provided that the unit is used under the normal operating conditions intended by the manufacturer.

Should you have any problem with this product, please and it is highly recommended to visit our website at www.curtisint.com before you take any other steps as we have additional copies of instruction manuals, operating manuals and trouble shooting tips on our website which gives you the answer on most of the questions you could have in operating the unit.

TERMS OF WARRANTY

C.I. Service Dept. warrants this product to be free from defects in materials and workmanship for 90 days on parts and 90 days on labor. If you originally purchased your product more than 90 days ago, a repair fee may apply.

Nothing within this warranty shall imply that C.I. will be responsible or liable for any damage to any items placed in this product, whether due to any defect of the product, or its use, whether proper or improper.

EXCLUSIONS

Save as herein provided, C.I. Service Dept. (Canada) or C.I. Service Dept. (USA), there are no other warranties, conditions, representations or guarantees, express or implied, made or intended by C.I. or its authorized distributors and all other warranties, conditions, representations or guarantees, including any warranties, conditions, representations or guarantees under any Sale of Goods Act or like legislation or statute is hereby expressly excluded. Save as herein provided, C.I. Service Dept. (Canada) or C.I. Service Dept. (USA), shall not be responsible for any damages to persons or property, including the unit itself, howsoever caused or any consequential damages arising from the malfunction of the unit and by the purchase of the unit, the purchaser does hereby agree to indemnify and save harmless C.I. from any claim for damages to persons or property caused by the unit.

TO OBTAIN REPAIRS UNDER THE TERMS OF THIS WARRANTY

1. The original purchaser must present a copy of the original bill of sale and the service warranty card.
2. Any alterations, abuse, misuse, battery corrosion or accidental damage voids the warranty.
3. The warranty does not cover cabinets and accessories.
4. No warranty or insurance contained or set out shall apply when damage or repair is caused by power failure; damage in transit or when moving the unit; improper power supply; use for commercial or industrial purposes; service calls resulting in customer education, etc.
5. The defective product should be mailed to:

Canada
C.I. Service Dept.
315 Attwell Drive

Toronto, Ontario
M9W 5C1

U.S.A
Curtis International Ltd
2215 Kenmore Avenue, Suite 100

Buffalo, NY 14207
14207

For service assistance and product information, please call: 1-800-968-9853.

If mailing the product, the freight must be prepaid and a money order for \$7.00 should be included to cover the cost of insurance and the return of the product.

6. C.I. reserves the right to repair or replace the parts which have become defective.

Model No. _____ Date Purchased _____ Serial No. _____

Free Manuals Download Website

<http://myh66.com>

<http://usermanuals.us>

<http://www.somanuals.com>

<http://www.4manuals.cc>

<http://www.manual-lib.com>

<http://www.404manual.com>

<http://www.luxmanual.com>

<http://aubethermostatmanual.com>

Golf course search by state

<http://golfingnear.com>

Email search by domain

<http://emailbydomain.com>

Auto manuals search

<http://auto.somanuals.com>

TV manuals search

<http://tv.somanuals.com>