

iMode^{SERIES} **SYLVANIA**

MODEL NO. SIP215

PORTABLE DOCKING STATION FOR IPOD

INSTRUCTION MANUAL



PLEASE READ BEFORE OPERATING THIS EQUIPMENT

Warnings and Precautions

TO PREVENT FIRE OR SHOCK HAZARDS, DO NOT EXPOSE THIS UNIT TO RAIN OR MOISTURE.



This symbol, located on back or bottom of the unit, is intended to alert the user to the presence of un-insulated “dangerous voltage” within the product’s enclosure that may be of sufficient magnitude to constitute a risk of electric shock to persons.



This symbol, located on back or bottom of the unit, is intended to alert the user to the presence of important operating and maintenance (servicing) instructions in the literature accompanying the appliance.

Any use of the controls or an adjustment to the procedures other than those specified herein may result in hazardous radiation.

CAUTION : TO PREVENT ELECTRIC SHOCK, MATCH WIDE BLADE OF PLUG TO WIDE SLOT, FULLY INSERT.

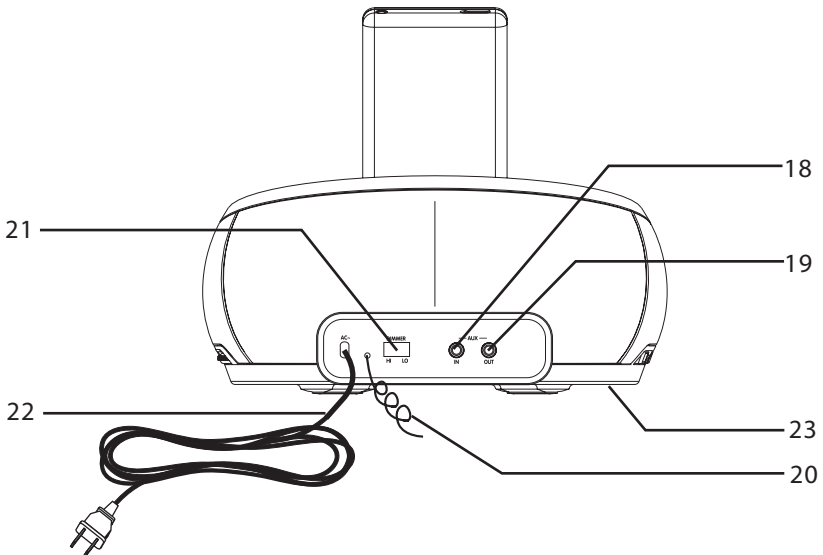
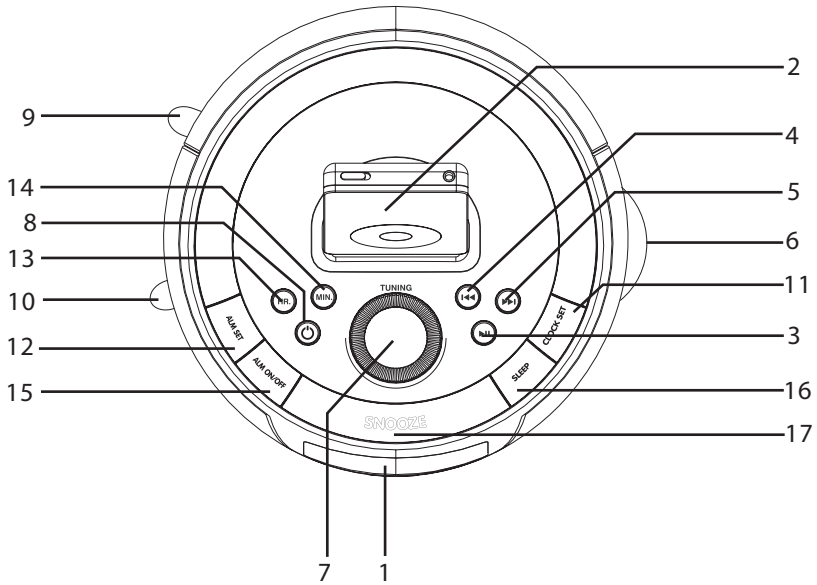
To reduce the risk of electric shock, do not remove cover (or back). There are no user-serviceable parts inside. Please refer any servicing to qualified service personnel.

WARNING: Changes or modifications to this unit not expressly approved by the party responsible for compliance could void the user’s authority to operate the equipment.

NOTE: This equipment has been tested and found to comply with the limits for a Class B digital device, pursuant to Part 15 of the FCC Rules. These limits are designed to provide reasonable protection against harmful interference in a residential installation. This equipment generates, uses, and can radiate radio frequency energy and, if not installed and used in accordance with the instructions, may cause harmful interference to radio communications. However, there is no guarantee that interference will not occur in a particular installation. If this equipment does cause harmful interference to radio or television reception, which can be determined by turning the equipment off and on, the user is encouraged to try to correct the interference by one or more of the following measures:

- Reorient or relocate the receiving antenna.
- Increase the separation between the equipment and receiver.
- Connect the equipment into an outlet on a circuit different from that to which the receiver is connected.
- Consult the dealer or an experienced radio/TV technician for help.

Features



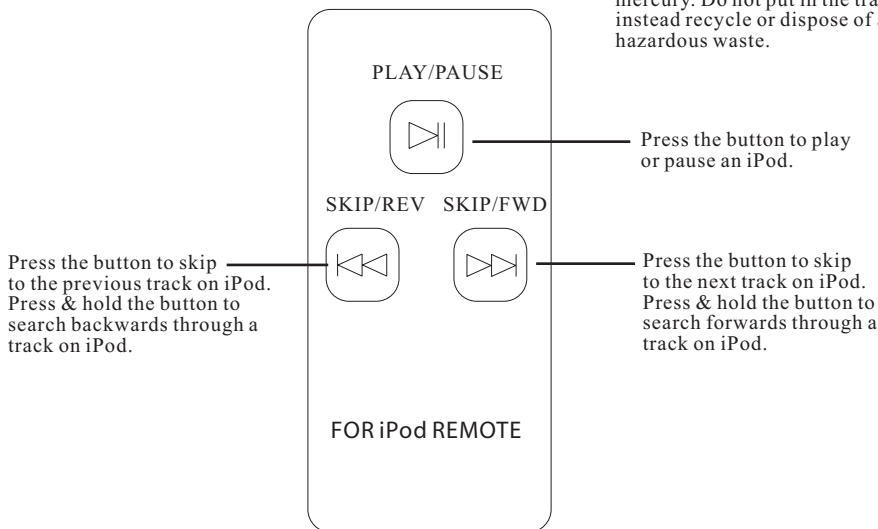
Features Defined

- 1 LCD Display** View the time, iPod indicator, Radio Frequency, though this Liquid Crystal Display.
 - 2 IPOD Docking Station** Connect your iPod, iPod mini, iPod nano.
 - 3 PLAY/PAUSE** Press the PLAY/PAUE button to play or pause an iPod playing.
 - 4 REV** Press the REV button to skip to previous a track on the iPod playing. Press and hold the REV button to search backwards though a track on the iPod playing.
 - 5 FWD** Press the FWD button to skip to next track on the iPod playing. Press and hold the FWD button to search forwards though a track on the iPod playing.
 - 6 VOLUME** Turn the VOLUME dial anti-clockwise to increase the volume and clockwise to decrease the volume.
 - 7 TUNING** Turn the TUNING dial anti-clockwise to decrease the radio frequency and clockwise to increase the radio frequency.
 - 8 POWER** Press the POWER button to turn unit on / off.
 - 9 BUZZER . RADIO . IPOD/AUX** Slide the BUZZER . RADIO . IPOD/AUX toggle switch to the alarm sound wake to Buzzer / Radio / iPod or Aux mode.
 - 10 AM . FM ST . IPOD/AUX** Use the AM . FM ST . IPOD/AUX toggle switch to adjust the unit between AM radio, FM ST radio, iPod / Aux mode.
 - 11 CLOCK SET** Use the CLOCK SET button in conjunction with the MIN and HOUR buttons to adjust the clock time.
 - 12 ALARM** Use the ALARM button in conjunction with the MIN and HOUR buttonsto adjust the clock time.
 - 13 HOUR** The HOUR button is used to adjust the hour when setting the clock.
 - 14 MINUTE** The MINUTE button is used to adjust the minute when setting the clock.
 - 15 ALARM ON/OFF** Press the ALARM ON/OFF toggle between alarm active or deactivate. Press this button to stop alarm sound when the desired alarm time is reached.
 - 16 SLEEP** Press the SLEEP button to set the sleep timer from 00 ~ 60 minute.
 - 17 SNOOZE** Press the SNOOZE button to delay the alarm for 5 min. after the alarm sound.
 - 18 AUX IN** Use the AUX-IN jack to connect an iPod shuffle or other audio device to the unit .
 - 19 AUX OUT** Use the AUX-OUT jack to connect the player to other AUDIO AUX-IN.
 - 20 FM Antenna** The FM Antenna is extendable and adjustable. An AM Antenna is built into the unit.
 - 21 DIMMER** Toggle the DIMMER switch between HI and LO to adjust the brightness of the LCD Display.
 - 22 AC Cord (120V/60 Hz)** The attached AC (Alternating Current) Cord provides power to the unit.
 - 23 BATTERIES Compartment (AAA size X2)** The BATTERIES back-up will save the clock and alarm settings in case of power outage. The display will not be active without AC Power (batteries not included). NOTES: DO NOT MIX OLD AND NEW BATTERIES.
-

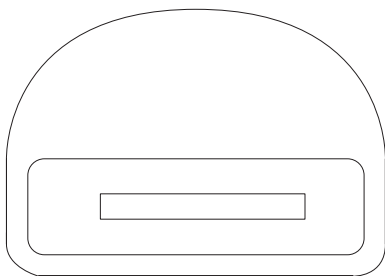
Peripherals

WARNING: Danger of explosion if batteries are incorrectly installed. Replace only with the same or equivalent type.

The button cell battery contains mercury. Do not put in the trash, instead recycle or dispose of as hazardous waste.



iPod Insert



1. 3G iPod 10GB, 15 GB, 20 GB
2. 3G iPod 30 GB, 40GB
3. iPod mini 4GB, 6GB
4. 4G iPod, U2 iPod 20GB
5. 4G iPod 40GB
6. iPod photo, Color U2 iPod 20 GB, 30GB
7. iPod photo 40GB, 60GB
8. 1G iPod nano 2GB, 4GB
9. iPod with video 30GB
10. iPod with video 60 GB, 80GB
11. 2G iPod nano 2GB, 4GB, 8GB

Notes: The number engrave in the backside of the inserts

Operations

Setting the Clock

- a.** With the power off, press and hold the CLOCK SET button.
- b.** Press the HOUR and MIN button to set the clocks hour and minute.
- c.** Once set, release the CLOCK SET button to confirm.

Setting the Alarm

- a.** With the power off, press and hold the ALARM SET button.
- b.** Press the HOUR and MIN button to set the clocks hour and minute.
- c.** Once set, release the ALARM SET button to confirm.
- d.** Slide the BUZZER . RADIO . IPOD/AUX switch to alarm source.

Connecting Other Digital Audio Devices

- a.** Use a line-in cord to connect an iPod shuffle or other audio device to the AUX-IN port.
- b.** Slide the BUZZER . RADIO . IPOD/AUX switch to activate the AUX-IN.
- c.** The iPod shuffle or other audio device will now play through the speakers of the unit.

Operations

How to Using Radio

- a. Power on the unit, slide the AM . FM ST . IPOD/AUX switch to radio AM/FM ST mode.
- b. Using the TUNING dial to increase/decrease the radio frequency.
- c. Using the VOLUME dial to increase/decrease the volume sound.

Antennas AM - If reception is weak, turn the unit to improve reception. FM - If reception is weak, adjust FM Wire Antenna length and the angle to improve reception.

Sleeping Function

1. Press the SLEEP button and “60” will appear on the display.
2. “60” will appear and set unit to turn off after 60 minutes. Press again and it will deduct 10 minutes and so on.
3. Release the SLEEP button, the sleep function will activate and the SLEEP indicator will light solid.

Specifications

Power Requirement

Input: AC~120V/60Hz
Battery Back-up for Clock: 2 x DC ---1.5V "AAA" Size Batteries

Frequency Range

Radio Receiving: AM 530 - 1710 KHz
FM 87.5 - 108 MHz

Power Consumption 20 Watts



LIMITED PRODUCT WARRANTY

This quality product is warranted to be free from manufacturer's defects in material and workman-ship, provided that the unit is used under the normal operating conditions intended by the manufacturer.

Should you have any problem with this product, please and it is highly recommended to visit our website at www.curtisint.com before you take any other steps as we have additional copies of instruction manuals, operating manuals and trouble shooting tips on our website which gives you the answer on most of the questions you could have in operating the unit.

TERMS OF WARRANTY

C.I. Service Dept. warrants this product to be free from defects in materials and workmanship for 90 days on parts and 90 days on labor. If you originally purchased your product more than 90 days ago, a repair fee may apply.

Nothing within this warranty shall imply that C.I. will be responsible or liable for any damage to any items placed in this product, whether due to any defect of the product, or its use, whether proper or improper.

EXCLUSIONS

Save as herein provided, C.I. Service Dept. (Canada) or C.I. Service Dept. (USA), there are no other warranties, conditions, representations or guarantees, express or implied, made or intended by C.I. or its authorized distributors and all other warranties, conditions, representations or guarantees, including any warranties, conditions, representations or guarantees under any Sale of Goods Act or like legislation or statute is hereby expressly excluded. Save as herein provided, C.I. Service Dept. (Canada) or C.I. Service Dept. (USA), shall not be responsible for any damages to persons or property, including the unit itself, howsoever caused or any consequential damages arising from the malfunction of the unit and by the purchase of the unit, the purchaser does hereby agree to indemnify and save harmless C.I. from any claim for damages to persons or property caused by the unit.

TO OBTAIN REPAIRS UNDER THE TERMS OF THIS WARRANTY

1. The original purchaser must present a copy of the original bill of sale and the service warranty card.
2. Any alterations, abuse, misuse, battery corrosion or accidental damage voids the warranty.
3. The warranty does not cover cabinets and accessories.
4. No warranty or insurance contained or set out shall apply when damage or repair is caused by power failure; damage in transit or when moving the unit; improper power supply; use for commercial or industrial purposes; service calls resulting in customer education, etc.
5. The defective product should be mailed to:

Canada
C.I. Service Dept.
315 Attwell Dr

Toronto, Ontario

M9W 5C1

U.S.A
C.I. Service Dept.
2215 Kenmore Avenue

Ste 100
Buffalo, N.Y.

14207

For service assistance and product information, please call: 1-800-968-9853.

If mailing the product, the freight must be prepaid and a money order for \$7.00 should be included to cover the cost of insurance and the return of the product.

6. C.I. reserves the right to repair or replace the parts which have become defective.

Model No. _____ Date Purchased _____ Serial No. _____

SYLVANIA is a registered trademark of OSRAM SYLVANIA Inc. used under licence.

Download from Www.Somanuals.com. All Manuals Search And Download.

Free Manuals Download Website

<http://myh66.com>

<http://usermanuals.us>

<http://www.somanuals.com>

<http://www.4manuals.cc>

<http://www.manual-lib.com>

<http://www.404manual.com>

<http://www.luxmanual.com>

<http://aubethermostatmanual.com>

Golf course search by state

<http://golfingnear.com>

Email search by domain

<http://emailbydomain.com>

Auto manuals search

<http://auto.somanuals.com>

TV manuals search

<http://tv.somanuals.com>