

iMode^{SERIES} **SYLVANIA**

MODEL NO. SIP220

PORTABLE DOCKING STATION FOR IPOD

INSTRUCTION MANUAL



PLEASE READ BEFORE OPERATING THIS EQUIPMENT

Warnings and Precautions

TO PREVENT FIRE OR SHOCK HAZARDS, DO NOT EXPOSE THIS UNIT TO RAIN OR MOISTURE.



This symbol, located on back or bottom of the unit, is intended to alert the user to the presence of un-insulated “dangerous voltage” within the product’s enclosure that may be of sufficient magnitude to constitute a risk of electric shock to persons.



This symbol, located on back or bottom of the unit, is intended to alert the user to the presence of important operating and maintenance (servicing) instructions in the literature accompanying the appliance.

Any use of the controls or an adjustment to the procedures other than those specified herein may result in hazardous radiation.

CAUTION : TO PREVENT ELECTRIC SHOCK, MATCH WIDE BLADE OF PLUG TO WIDE SLOT, FULLY INSERT.

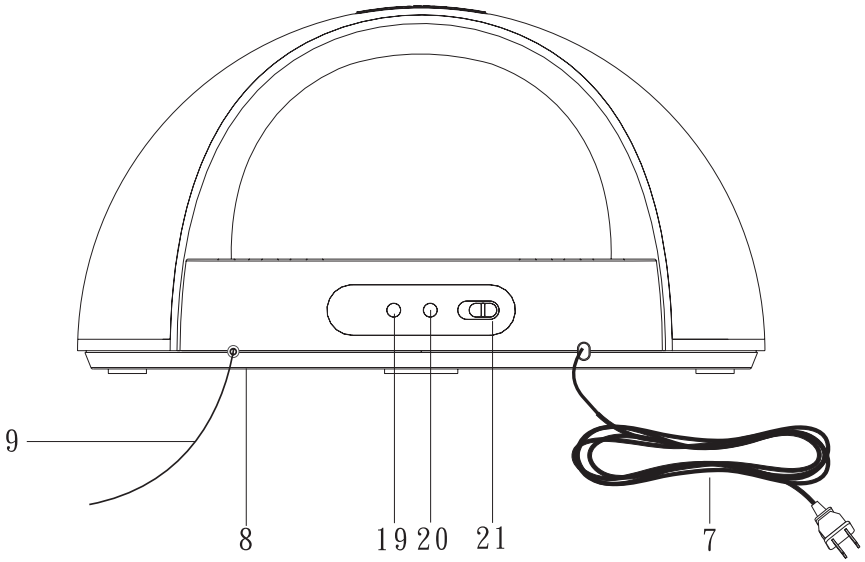
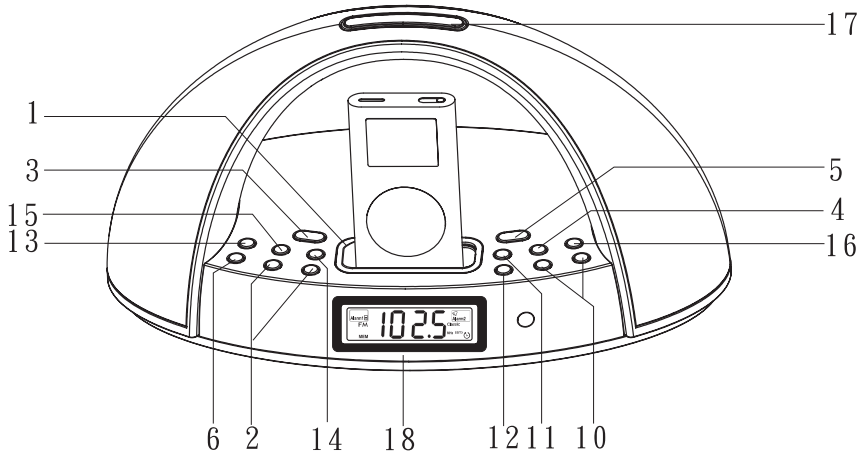
To reduce the risk of electric shock, do not remove cover (or back). There are no user-serviceable parts inside. Please refer any servicing to qualified service personnel.

WARNING: Changes or modifications to this unit not expressly approved by the party responsible for compliance could void the user’s authority to operate the equipment.

NOTE: This equipment has been tested and found to comply with the limits for a Class B digital device, pursuant to Part 15 of the FCC Rules. These limits are designed to provide reasonable protection against harmful interference in a residential installation. This equipment generates, uses, and can radiate radio frequency energy and, if not installed and used in accordance with the instructions, may cause harmful interference to radio communications. However, there is no guarantee that interference will not occur in a particular installation. If this equipment does cause harmful interference to radio or television reception, which can be determined by turning the equipment off and on, the user is encouraged to try to correct the interference by one or more of the following measures:

- Reorient or relocate the receiving antenna.
- Increase the separation between the equipment and receiver.
- Connect the equipment into an outlet on a circuit different from that to which the receiver is connected.
- Consult the dealer or an experienced radio/TV technician for help.

Features



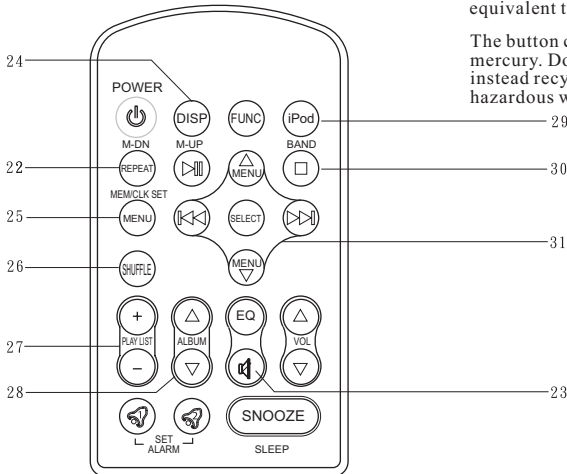
Features Defined

- 1 iPod Docking Station** Connect your iPod, Pod mini, or iPod nano.
- 2 VOLUME** Press the up arrow to increase the volume, and the down arrow to decrease volume.
- 3 POWER** Press the POWER button to turn the radio off or on.
- 4 STOP/BAND** Press the BAND/STOP button to switch between AM or FM radio stations, or stop iPod playing.
- 5 FUNCTION** Press the FUNCTION button to witch between Radio and Aux-in control.
- 6 EQ** Press the EQ button to switch equalizer modes between Classical, Jazz, Rock, and Pop.
- 7 AC Cord (120V/60 Hz)** The attached AC (Alternating Current) cord provides power to the player.
- 8 Battery Back-Up(2xAA batteries)** The Battery Back-Up will save the clock and alarm settings in case of power outage. The display will not be active without AC power (batteries not included). NOTES: DO NOT MIX OLD AND NEW BATTERIES.
- 9 FM Antenna** The FM Wire Antenna provides flexibility and range when adjusting the FM reception. An AM Antenna is built into the player.
- 10 SEARCH/TUN** Press the SEARCH/TUNE down or up buttons to decrease/increase the radio frequency, or to decrease/increase the clock time.
- 11 iPod** Press the iPod button to power on an iPod and enable control through the player.
- 12 PLAY/PAUSE/P+** Press the PLAY/PAUSE/P+ button to play or pause an iPod, or to cycle up through the preset radio stations.
- 13 DISPLAY** In radio mode press the display button to watch between viewing the time or the radio frequency.
- 14 ALARM SET 2** Use the ALARM SET 2 button to view and adjust the alarm-2 time, and to set alarm-2 to buzzer, radio, or iPod.
- 15 ALARM SET 1** Use the ALARM SET 1 button to view and adjust the alarm-1 time, and to set alarm-1 to buzzer, radio, or iPod.
- 16 MEM/CLK SET** Press the MEM/CLK SET button to program a radio station into the presets, or to adjust the clock.
- 17 SNOOZE** Press the SNOOZE button to delay the alarm for five minutes after the alarm sounds. Press the SNOOZE button to set the player to turn off after 10-90 minutes (SLEEP function).
- 18 LCD** View the Time, AM indicator, iPod Indicator, and radio frequency through this Liquid Crystal Display.
- 19 AUX-OUT** Use the Aux-Out jack to connect the player to external speakers.
- 20 AUX-IN** Use the Aux-in jack to connect an iPod shuffle or other audio device to the player.
- 21 DIMMER** Toggle the DIMMER witch between HI and LO to adjust the brightness of the LCD Display.

Peripherals

WARNING: Danger of explosion if batteries are incorrectly installed. Replace only with the same or equivalent type.

The button cell battery contains mercury. Do not put in the trash, instead recycle or dispose of as hazardous waste.



Notes: NOTES: Buttons that are not defined in the Peripherals section, are defined in the Features section.

Peripheral Defined

- 22 REPEAT** Press the REPEAT button to switch between REPEAT 1, REPEAT ALL, or Off (iPod playing only).

- 23 MUTE** Press the MUTE button to decrease the volume entirely.

- 24 DISP (DISPLAY)** In radio mode press the DISP button to switch between viewing the time or the radio frequency.

- 25 MEM/CLK SET** Press the MEM/CLK SET button to program a radio station into the presets or to adjust the clock. In iPod mode, press the MEM/CLK SET button to enter the menu on an iPod.

- 26 SHUFFLE** Press the SHUFFLE button to randomly play songs on an iPod.

- 27 PLAYLIST** Press up on the PLAYLIST button to cycle up through the playlists on an iPod, or press down on the PLAYLIST button to cycle down through the playlists on an iPod.

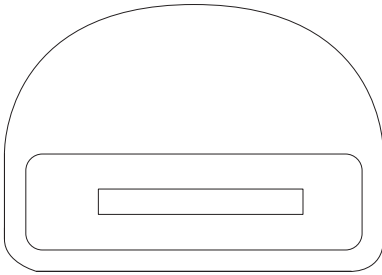
- 28 ALBUM** Press up on the ALBUM button to increase the album number, or press down on the ALBUM button to decrease the album number.

- 29 iPod** Press the iPod button to power on an iPod and enable control through the player.

- 30 STOP/BAND** Press the STOP/BAND button to stop a song on an iPod or press the iPod/Band button, with the radio function on, to switch between AM and FM frequencies

- 31 Navigation Controls/SELECT** Use the Navigation Controls to move through an iPod menu system. Press the SELECT button to select a song, photo, or video on our iPod.

iPod Insert



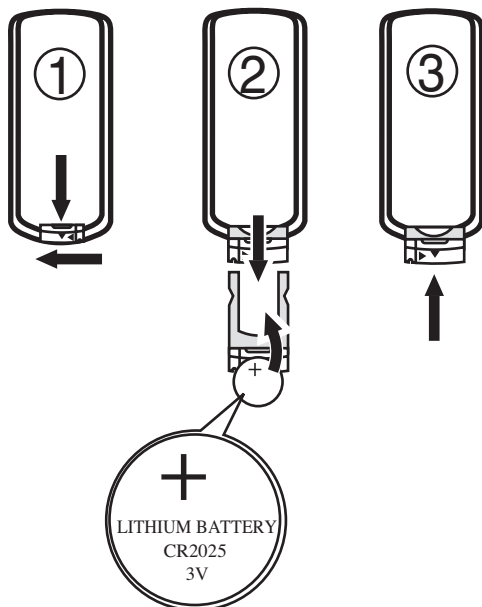
1. 3G iPod 10GB, 15 GB, 20 GB
2. 3G iPod 30 GB, 40GB
3. iPod mini 4GB, 6GB
4. 4G iPod, U2 I pod 20GB
5. 4G iPod 40GB
6. iPod photo, Color U2 iPod 20 GB, 30GB
7. iPod photo 40GB, 60GB
8. 1G iPod nano 2GB, 4GB
9. iPod with video 30GB
10. iPod with video 60 GB, 80GB
11. 2G iPod nano 2GB, 4GB, 8GB

NOTES: The number engrave in the backside of the inserts.

Installing a Battery in the Remote

Warning

There is danger of an explosion if you replace the battery incorrectly. Replace only with the same or equivalent battery.



To install or replace the battery:

- 1 Pull the battery tray out of the remote.
- 2 If you are replacing the battery, remove the old battery and dispose of it properly. Note the orientation of the + and - sides of the battery.
- 3 Insert the new battery into the battery tray, orienting it the same way the old battery was placed.
- 4 Close the battery tray.

Operations

Setting the Clock

- a. With the power off, hold the CLOCK SET button.
- b. Press the SEARCH/TUNE down or up buttons to toggle between 12HR and 24HR time, and press the MEM/CLK SET button to select either option.
- c. Press the SEARCH/TUNE up button to cycle up through the hours, or press the SEARCH/TUNE down button to cycle down through the hours. Press the MEM/CLK SET button to select the hour.
- d. Press the SEARCH/TUNE up button to cycle up through the minutes, or press the SEARCH/TUNE down button to cycle down through the minutes. Press the MEM/CLK SET button to select the minute, and finish setting the time.

Setting the Alarm

- a. Press the ALARM SET 1 button.
- b. Press and hold the ALARM SET 1 button.
- c. Press the SEARCH/TUNE up button to cycle up through the hours, or press the SEARCH/TUNE down button to cycle down through the hours. Press the ALARM SET 1 button to select the hour.
- d. Press the SEARCH/TUNE up button to cycle up through the minutes, or press the SEARCH/TUNE down button to cycle down through the minutes. Press the ALARM SET 1 button to select the minute.
- e. Press the SEARCH/TUNE up button to cycle up through the different alarm modes (Radio, Buzzer, or iPod). After a mode is selected press the ALARM SET 1 button to finish setting the alarm.

NOTES: This operation also applies to setting alarm two.

Operations

Connecting Other Digital Audio Devices

- a. Use a line-in cord to connect an iPod shuffle or other audio device to the AUX-IN port.
- b. Press the FUNCTION button to activate the AUX-IN.
- c. The iPod shuffle or other audio device will now play through the speakers of the unit.

How to Using Radio

- a. Power on the unit, press the FUNCTION button to radio mode.
- b. Using the BAND button to switch between AM / FM Band.
- c. Automatic Tuning - Press and hold the SEARCH/TUNE up or down buttons until the display begins to move, then release the buttons. The tuner will scan up or down the band until it finds the first strong station, and then stop on that station. Repeat this process until the tuner stops on your desired station.
- d. Manual Tuning - Press and release the SEARCH/TUNE up or down buttons repeatedly until the display is showing the frequency of your desired station. Use the manual tuning method to tune to weaker stations that are bypassed during Automatic Tuning.

Antennas AM - If reception is weak, turn the unit to improve reception. FM - If reception is weak, adjust FM Wire Antenna length and the angle to improve reception.

Programming radio station presets

You can program as many as 10 FM and 10 AM radio station presets.

- a. During RADIO mode, press BAND button to select AM/FM band.
- b. Press the SEARCH/TUNE up or down buttons to desire station you want store.
- c. Press and hold the MEM/CLK SET button to activate the programming mode.
- d. Press the SEARCH/TUNE up or down buttons to select the preset number you want to store.
- e. Press and hold the MEM/CLK SET button to store the station.
- f. Repeat Steps “b” through “e” to program additional presets.

To recall the radio station preset

Press the M-DN(REAPEAT) or M-UP (PLAY/PAUSE/P+) Button repeatedly until the preset number you want appears on the display and the preset station will be sound.

Specifications

Power Requirement

Input: AC~120V/60Hz
Battery Back-up for Clock: 2 x DC ---1.5V "AA" (LR-6) Size Batteries
Battery CR2025 for remote control handset

Frequency Range

Radio Receiving: AM 530 - 1710 KHz
FM 87.5 - 108 MHz

Power Consumption 20 Watts



LIMITED PRODUCT WARRANTY

This quality product is warranted to be free from manufacturer's defects in material and workman-ship, provided that the unit is used under the normal operating conditions intended by the manufacturer.

Should you have any problem with this product, please and it is highly recommended to visit our website at www.curtisint.com before you take any other steps as we have additional copies of instruction manuals, operating manuals and trouble shooting tips on our website which gives you the answer on most of the questions you could have in operating the unit.

TERMS OF WARRANTY

C.I. Service Dept. warrants this product to be free from defects in materials and workmanship for 90 days on parts and 90 days on labor. If you originally purchased your product more than 90 days ago, a repair fee may apply.

Nothing within this warranty shall imply that C.I. will be responsible or liable for any damage to any items placed in this product, whether due to any defect of the product, or its use, whether proper or improper.

EXCLUSIONS

Save as herein provided, C.I. Service Dept. (Canada) or C.I. Service Dept. (USA), there are no other warranties, conditions, representations or guarantees, express or implied, made or intended by C.I. or its authorized distributors and all other warranties, conditions, representations or guarantees, including any warranties, conditions, representations or guarantees under any Sale of Goods Act or like legislation or statute is hereby expressly excluded. Save as herein provided, C.I. Service Dept. (Canada) or C.I. Service Dept. (USA), shall not be responsible for any damages to persons or property, including the unit itself, howsoever caused or any consequential damages arising from the malfunction of the unit and by the purchase of the unit, the purchaser does hereby agree to indemnify and save harmless C.I. from any claim for damages to persons or property caused by the unit.

TO OBTAIN REPAIRS UNDER THE TERMS OF THIS WARRANTY

1. The original purchaser must present a copy of the original bill of sale and the service warranty card.
2. Any alterations, abuse, misuse, battery corrosion or accidental damage voids the warranty.
3. The warranty does not cover cabinets and accessories.
4. No warranty or insurance contained or set out shall apply when damage or repair is caused by power failure; damage in transit or when moving the unit; improper power supply; use for commercial or industrial purposes; service calls resulting in customer education, etc.
5. The defective product should be mailed to:

Canada
C.I. Service Dept.
315 Attwell Dr

Toronto, Ontario

M9W 5C1

U.S.A
C.I. Service Dept.
2215 Kenmore Avenue

Ste 100
Buffalo, N.Y.

14207

For service assistance and product information, please call: 1-800-968-9853.

If mailing the product, the freight must be prepaid and a money order for \$7.00 should be included to cover the cost of insurance and the return of the product.

6. C.I. reserves the right to repair or replace the parts which have become defective.

Model No. _____ Date Purchased _____ Serial No. _____

SYLVANIA is a registered trademark of OSRAM SYLVANIA Inc. used under licence.

Download from Www.Somanuals.com. All Manuals Search And Download.

Free Manuals Download Website

<http://myh66.com>

<http://usermanuals.us>

<http://www.somanuals.com>

<http://www.4manuals.cc>

<http://www.manual-lib.com>

<http://www.404manual.com>

<http://www.luxmanual.com>

<http://aubethermostatmanual.com>

Golf course search by state

<http://golfingnear.com>

Email search by domain

<http://emailbydomain.com>

Auto manuals search

<http://auto.somanuals.com>

TV manuals search

<http://tv.somanuals.com>