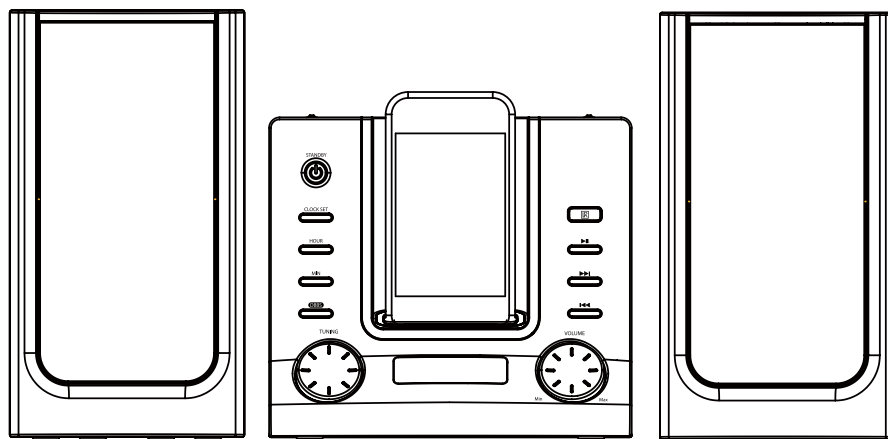


iMode^{SERIES} **SYLVANIA**

MODEL NO. SIP3050

MICRO SYSTEM DOCKING STATION FOR IPOD

INSTRUCTION MANUAL



PLEASE READ BEFORE OPERATING THIS EQUIPMENT

IMPORTANT SAFETY INSTRUCTIONS

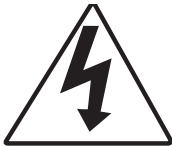


CAUTION

RISK OF ELECTRIC SHOCK
DO NOT OPEN



CAUTION: TO REDUCE THE RISK OF ELECTRIC SHOCK, DO NOT REMOVE COVER (OR BACK). NO USER-SERVICEABLE PARTS INSIDE. REFER SERVICING TO QUALIFIED SERVICE PERSONNEL.



DANGEROUS VOLTAGE:

The lightning flash with arrowhead symbol, within an equilateral triangle is intended to alert the user to the presence of uninsulated dangerous voltage within the product's enclosure that may be of sufficient magnitude to constitute a risk of electric shock to persons.



ATTENTION:

The exclamation point within an equilateral triangle is intended to alert the user to the presence of important operating and maintenance (servicing) instructions in the literature accompanying the appliance.

FCC WARNING:

This equipment may generate or use radio frequency energy. Changes or modifications to this equipment may cause harmful interference unless the modifications are expressly approved in the instruction manual. The user could lose the authority to operate this equipment if an unauthorized change or modification is made.

SURGE PROTECTORS:

It is recommended to use a surge protector for AC connection. Lightning and power surges ARE NOT covered under warranty for this product.

WARNING:

~TO REDUCE THE RISK OF FIRE OR ELECTRIC SHOCK, DO NOT EXPOSE THIS PRODUCT TO RAIN OR MOISTURE.
~TO REDUCE THE RISK OF FIRE OR ELECTRIC SHOCK, AND ANNOYING INTERFERENCE, USE THE RECOMMENDED ACCESSORIES ONLY.

INFORMATION:

This equipment has been tested and found to comply with the limits for a Class B digital device, pursuant to Part 15 of the FCC Rules. These limits are designed to provide reasonable protection against harmful interference in a residential installation. This equipment generates, uses and can radiate radio frequency energy and, if not installed and used in accordance with the instructions, may cause harmful interference to radio communications. However, there is no guarantee that interference will not occur in a particular installation. If this equipment does cause harmful interference to radio or television reception, which can be determined by turning the equipment off and on, the user is encouraged to try to correct the interference by one or more of the following measures:

- Reorient or relocate the receiving antenna.
- Increase the separation between the equipment and receiver.
- Connect the equipment into an outlet on a circuit different from that to which the receiver is connected.
- Consult the dealer or an experienced radio/TV technician for help.

IMPORTANT SAFETY INSTRUCTIONS

Before using the unit, be sure to read all operating instructions carefully. Please note that these are general precautions and may not pertain to your unit. For example, this unit may not have the capability to be connected to an outdoor antenna.

1. Read these instructions.

All the safety and operating instructions should be read before the product is operated.

2. Keep these instructions.

The safety and operating instructions should be retained for future reference.

3. Heed all warnings.

All warnings on the product and in the operating instructions should be adhered to.

4. Follow all instructions.

All operating and use instructions should be followed.

5. Do not use this apparatus near water.

Do not use this product near water and moisture, for example: near a bathtub, washbowl, kitchen sink or laundry tub; in a wet basement; or near a swimming pool.

6. Clean only with dry cloth.

Unplug this product from the wall outlet before cleaning. Do not use liquid cleaners or aerosol cleaners. Use a dry cloth for cleaning.

7. Do not block any ventilation openings. Install in accordance with the manufacturer's instructions.

Slots and openings in the cabinet and in the back or bottom are provided for ventilation, to ensure reliable operation of the product and to protect it from overheating. These openings must not be blocked or covered. The openings should never be blocked by placing the product on a bed, sofa, rug or other similar surface. This product should never be placed near or over a radiator or heat source. This product should not be placed in a built-in installation such as a bookcase or rack unless proper ventilation is provided or the manufacturer's instructions have been adhered to.

8. Do not install near any heat sources such as radiators, heat registers, stoves, or other apparatus (including amplifiers) that produce heat.

9. Do not defeat the safety purpose of the polarized or grounding-type plug. A polarized plug has two blades with one wider than the other. A grounding type plug has two blades and a third grounding prong. The wide blade or the third prong are provided for your safety. If the provided plug does not fit into your outlet, consult an electrician for replacement

of the obsolete outlet.

10. Protect the power cord from being walked on or pinched particularly at plugs, convenience receptacles, and the point where they exit from the apparatus.

11. Only use attachments/accessories specified by the manufacturer.

12. Use only with the cart, stand, tripod, bracket, or table specified by the manufacturer, or sold with the apparatus. When a cart is used, use caution when moving the cart/apparatus combination to avoid injury from tip-over

An appliance and cart combination should be moved with care.

Quick stops, excessive force and uneven surfaces may cause the appliance and cart combination to overturn.

PORTABLE CART WARNING
(symbol provided by RETAC)



13. Unplug this apparatus during lightning storms or when unused for long periods of time.

To protect your product from a lightning storm, or when it is left unattended and unused for long periods of time, unplug it from the wall outlet and disconnect the antenna or cable system. This will prevent damage to the product due to lightning and power-line surges.

14. Refer all servicing to qualified service personnel. Servicing is required when the apparatus has been damaged in any way, such as power-supply cord or plug is damaged, liquid has been spilled or objects have fallen into the apparatus, the apparatus has been exposed to rain or moisture does not operate normally, or has been dropped.

15. Power source.

This product should be operated only from the type of power source indicated on the marking label. If you are not sure of the type of power supply to your home, consult your appliance dealer or local power company. For products intended to operate from battery power, or other source, refer to the operation instructions.

16. Power lines.

An outside antenna system should not be located in the vicinity of overhead power lines or other electric light or power circuits, or where it can fall into such power lines or circuits. When installing an outside antenna system, extreme care should be taken to keep from touching such power lines or circuits as contact with them might be fatal.

17. Overloading.

Do not overload wall outlets and extension cords as this can result in a risk of fire or electric shock.

IMPORTANT SAFETY INSTRUCTIONS

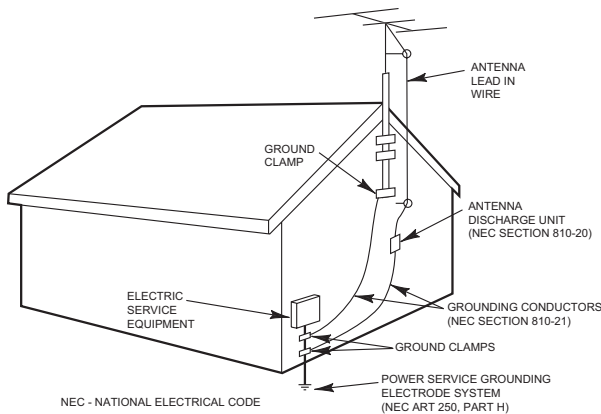
18. Object and liquid entry.

Never push objects of any kind into this product through openings as they may touch dangerous voltage points or short out parts that could result in fire or electric shock. Never spill or spray any type of liquid on the product.

19. Outdoor antenna grounding.

If an outside antenna is connected to the product, be sure the antenna system is grounded so as to provide some protection against voltage surges and built up static charges. Section 810 of the National Electric Code ANSI/NFPA 70 provides information with respect to proper to grounding of the mast and supporting structure, grounding of the lead-in wire to an antenna discharge product, size of grounding conductors, location of antenna-discharge product, connection to grounding electrodes and requirements for the grounding electrodes.

20. Service.



EXAMPLE OF ANTENNA GROUNDING AS PER NATIONAL ELECTRICAL CODE

Do not attempt to service this product yourself as opening or removing covers may expose you to dangerous voltage or other hazards. Refer all servicing to qualified service personnel.

21. Replacement parts.

When replacement parts are required, be sure the service technician uses replacement parts specified by the manufacturer or those that have the same characteristics as the original parts. Unauthorized substitutions may result in fire or electric shock or other hazards.

22. Safety check.

Upon completion of any service or repairs to this product, ask the service technician to perform safety checks to determine that the product is in proper operation condition.

23. Wall or ceiling mounting.

The product should be mounted to a wall or ceiling only as recommended by the manufacturer.

24. Damage requiring service.

Unplug this product from the wall outlet and refer service to qualified service personnel under the following conditions.

- When the power-supply cord or plug is damaged.
- If liquid has been spilled or objects have fallen into the product.
- If the product has been exposed to rain or water.
- If the product does not operate normally by following the operating instructions. Adjust only those controls that are covered by the operating instructions, as an adjustment of other controls may result in damage and will require extensive work by a qualified technician to restore in the product to its normal operation.
- If the product has been dropped or the cabinet has been damaged.
- When the product exhibits a distinct change in performance-this indicates a need for service.

25. Note to CATV system installer.

This reminder is provided to call the CATV system installer's attention to Article 820-40 of the NEC that provides guidelines for proper grounding and, in particular, specifies that the cable ground shall be connected to the grounding system of the building, as close to the point of cable entry as practical.

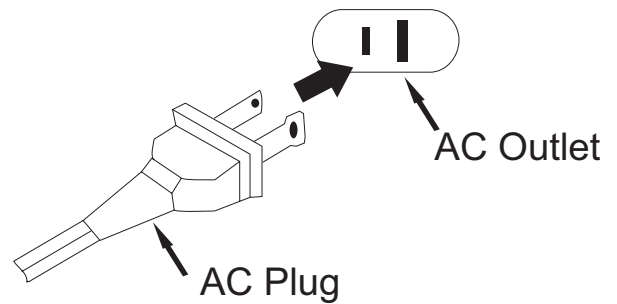
NOTE: Refer all servicing to qualified service personnel. Servicing is required when the unit has been damaged in any way such as the following: the power-supply cord or plug has been damaged, liquid has been spilled into unit, the unit has been exposed to rain or moisture, the unit has been dropped or the unit does not operate normally.

POWER SOURCE

AC Operation:

Unwind the AC power cord and extend it to its full length. Insert the small plug of the AC power cord to the unit. Insert the AC plug of the cord into any convenient 120V 60Hz household outlet.

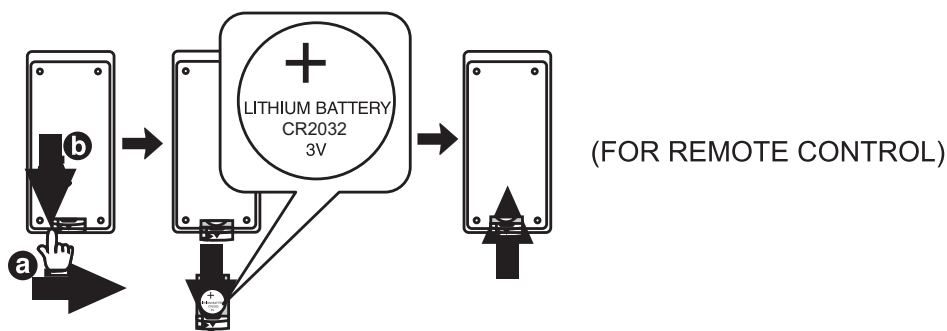
Please note that this unit is equipped with a polarized AC plug which has one blade wider than the other. This is a safety feature to reduce the likelihood of electric shock. This polarized AC plug will only fit in a polarized AC outlet. If you find that you cannot insert this plug into your outlet, you may have an obsolete non-polarized outlet. Please do not try to defeat this safety feature by using a non-polarized adaptor or by filling the wider blade to make it fit into your outlet. If this plug does not fit into your outlet, you should contact a qualified licensed electrician to replace your obsolete outlet.



Protect Your Furniture:

This model is equipped with non-skid rubber 'feet' to prevent the product from moving when you operate the controls. These 'feet' are made from non-migrating rubber material specially formulated to avoid leaving any marks or stains on your furniture. However certain types of oil based furniture polishes, wood preservatives, or cleaning sprays may cause the rubber 'feet' to soften, and leave marks or a rubber residue on the furniture. To prevent any damage to your furniture we strongly recommend that you purchase small self-adhesive felt pads, available at hardware stores and home improvement centers everywhere, and apply these pads to the bottom of the rubber 'feet' before you place the product on fine wooden furniture.

Battery Install:



NOTE:

1. The button cell battery contains mercury, don't put in the trash. Recycle or dispose as hazardous waste.
2. Remove the protective covering from the remote's battery compartment before using the remote control at first time.

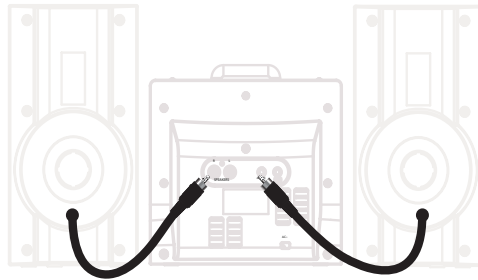
BATTERY PRECAUTIONS:

Follow these precautions when using a battery in this device:

1. Use only the size and type of battery specified.
2. Be sure to follow the correct polarity when installing the battery as indicated in the battery compartment. A reversed battery may cause damage to the device.
3. Do not mix different types of batteries together (e.g. Alkaline and Carbon-zinc) or old batteries with fresh ones.
4. If the batteries in the device are consumed or the device is not to be used for a long period of time, remove the batteries to prevent damage or injury from possible battery leakage.
5. Do not try to recharge the battery not intended to be recharged; it can overheat and rupture. (Follow battery manufacturer's instructions.)
6. Do not dispose of battery in fire. Battery may explode or leak.
7. Clean the battery contacts and also those of the device prior to battery installation.

Connecting the Speakers

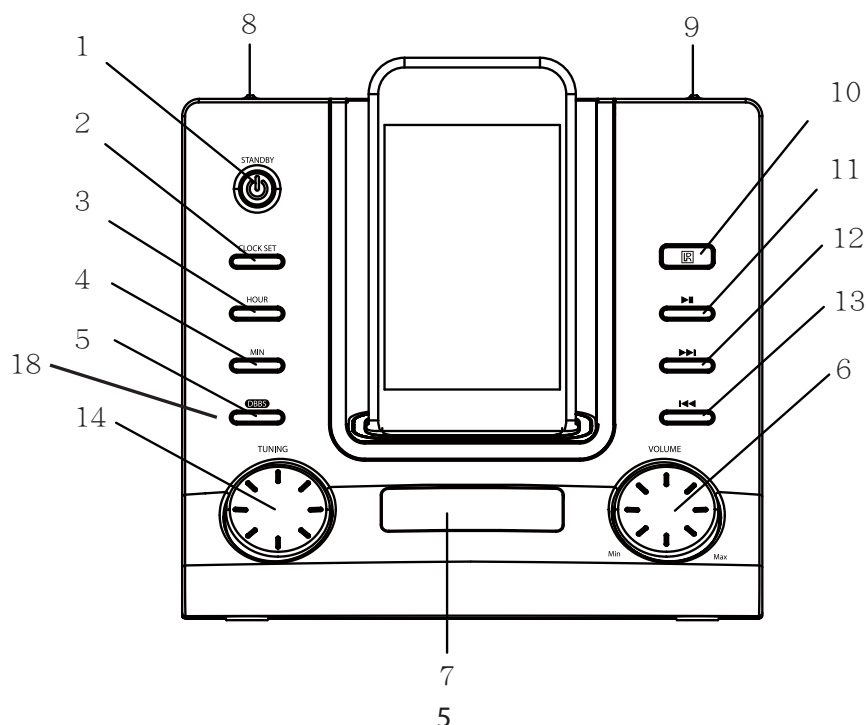
1. Connect the external speakers to the unit by plugging the speaker cables into the corresponding speaker jacks on the unit.



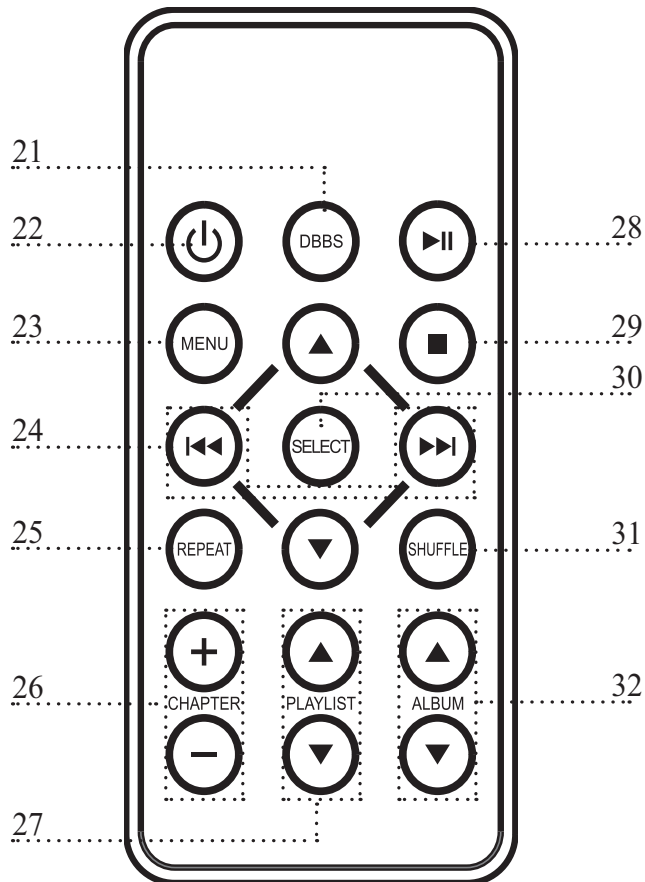
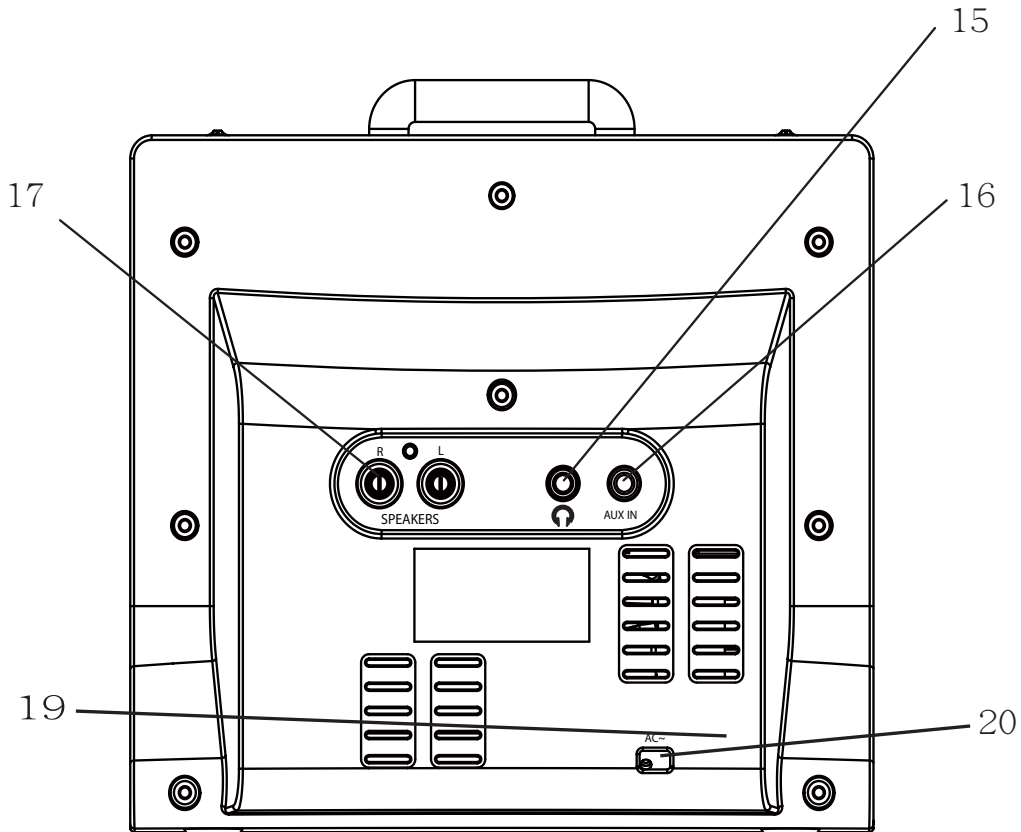
Connecting the Headphone

For private listening, connect headphone (not included) into the Phones Jack on the rear of unit. The speakers will be disconnected when headphone are inserted into the jack.

Locations of Controls



Locations of Controls



Control Definitions

- 1 Standby Button**
Press the Standby Button to turn the unit on or off (Standby mode)
- 2 CLOCK SET Button**
Press and hold this button then press the HOUR button at the same time to set hour. Press the MIN button to set minute.
- 3 Hour Button**
- 4 Minute Button**
- 5 DBBS Button (Dynamic Bass Boost System)**
Press to turn DBBS on, the DBBS Indicator will lit. Press again to turn it off, the DBBS Indicator will not lit.
- 6 Volume Knob**
Turn to adjust volume.
- 7 LCD Display**
- 8 AUX - iPod - RADIO Function Selector**
 - ~ Slide to RADIO position to turn on the radio.
 - ~ Slide to iPod to playback the music from the connected iPod.
 - ~ Slide to AUX to playback the music from the connected external audio device via AUX IN Jack.
- 9 Band Switch**
 - ~ Slide to AM when receiving the AM band Radio stations.
 - ~ Slide to FM when receiving the FM band radio stations.
- 10 IR**
Infrared Sensor
- 11 Play/Pause ►|| Button**
Press to play or pause the playback of the docked iPod
- 12 & 13 Skip/Search ►►/ ◀◀ Buttons**
 - ~ Press the Skip/Search Buttons to skip tracks on a docked iPod.
 - ~ Press and hold the Skip/Search Buttons to search through individual tracks on a docked iPod.
- 14 Tuning Knob**
Turn to searching the radio stations.
- 15 Headphone Jack**
- 16 AUX IN Jacks**
- 17 Speaker Jacks**
- 18 DBBS On Indicator**
- 19 FM Antenna**
- 20 AC Cord**

Control Definitions

21 DBBS Button (Dynamic Bass Boost System)

22 STANDBY  Button

23 MENU Button

24 Skip/Search   Buttons

25 REPEAT Button

26 CHAPTER +/- Buttons

27 PLAYLIST  /  Buttons

28 Play/Pause  Button

29 Stop  Button

30 SELECT Button

31 SHUFFLE Button

32 ALBUM  /  Buttons

Setting the Clock

1. Press and hold the **CLOCK Set Button**
2. While holding the **CLOCK Set Button**, press the **Hour Button** to adjust the hour and the **Minute Button** to adjust the minute.
3. When finished, release the **CLOCK Set Button**.

Radio Operations:

1. Press the Standby Button on the unit or Remote Control to power on the unit.
2. Slide the **RADIO/iPod/AUX** selector to RADIO position.
3. Slide the **Band Switch** to AM or FM as desired. (Note: If stereo FM radio station is receiving, the unit will play it in stereo mode automatically without any indicators.)
4. Turn the **Tuning Knob** to receive the desired radio station. The radio frequency of the selected station will appear on the display.
5. Turn the **Volume Knob** to adjust volume as desire.
6. When finished listening, press the Standby button to power off the unit.

ANTENNAS

AM - This unit has a build in ferrite rod antenna, which provides adequate reception in most areas. If reception is weak, turn the unit to improve reception.

FM - The FM Wire Antenna is for FM reception only. If reception is weak, adjust the location of the antenna.

Connecting to an External Audio Player using the AUX IN Jack

1. Insert one side of the 3.5mm audio connection cable (not included) to the AUX IN Jack on the rear of unit.
2. Insert the other side of the connection cable to the Phones jack /Line out jack/Aux Out jack of the external audio device. (Such like the non-dockable iPod Player, MP3 Player, CD Discman ..etc)
3. Slide the AUX/iPod/RADIO Selector to AUX IN position.
4. Power on both units.
5. Play the music in the connected external audio device as usual.
6. Turn the VOLUME Knob to adjust volume.

Docking an iPod

1. Select the correct iPod adapter as the table below to matching your iPod.

iPod Adapter #8 - iPod Nano (1st Gen, 2nd Gen, 4th Gen)

iPod Adapter #10 - iPod (4th Gen, 5th Gen (Video), iPod Classic)

iPod Adapter #13 - iPod Nano (3rd Gen)

iPod Adapter #14 - iPod Touch (1st Gen, 2nd Gen)

2. Insert the selected iPod adaptor to the docking on the unit then insert the iPod to the docking as the figure on the right.

3. Slide the RADIO/iPod/AUX IN Selector to iPod position

4. Power on the unit as previous procedures. The unit will start playback the music in the connected iPod automatically.

5. Turn the VOLUME Knob to adjust volume.

6. During playback:

A. Press the Play/Pause Button on the unit or Remote Control to pause, press again to resume normal playback.

B. Press the Skip/Shearing Button repeatedly to skip tracks as desire.

C. Press and hold the Skip/Searching Button to fast searching the specify section as desire.

D. Press the Stop Button on Remote Control to stop playback.

E. Press the REPEAT Button on the remote Control to set the repeat mode to Repeat One (play the current track repeatedly) or Repeat All (play all the tracks in the iPod repeatedly.) as desire. The correspondence icon will appear on the iPod's screen.

F. Press the SHUFFLE Button on the Remote Control to turn the random playback mode ON or OFF. The correspondence icon will appear or disappear on the iPod's screen.

G. Press the CHAPTER + or - Buttons on the Remote Control repeatedly to select the pervious/next chapter as desire.

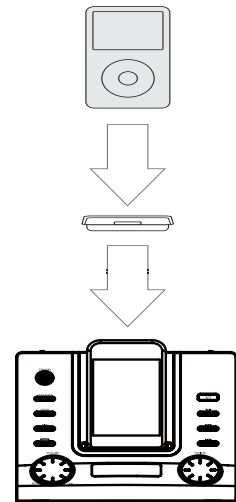
H. Press the PLAY LIST Buttons on the Remote Control repeatedly to select the pervious/next play list as desire.

I. Press the ALBUM Buttons on the Remote Control repeatedly to select the pervious/next album as desire.

J. Press the MENU Button on the Remote Control to return to pervious menu as press the MENU Button on the iPod.

K. Press the direction buttons on the Remote Control to moving the cursor on the iPod's menu.

L. Press the SELECT Button on the Remote Control to confirm your selection as press the center Button on the iPod.



NOTES ON CLEANING:


~ Use a soft, dry cloth for cleaning.

~ For stubborn dirt, soak the cloth in a weak detergent solution, wring well and wipe. Use a dry cloth to wipe it dry. Do not use any type of solvent, such as thinner and benzene, as they may damage the surface of the unit.

~ If you use a chemical-saturated cloth to clean the unit, follow that product's instructions.

General Specification:

Power Source: AC~120V, 60Hz

Power Source of Remote Control: DC .. 3V, 1 x "CR2032" size battery (Included)

Power Consumption: 14 Watt

Audio Output Power: 2 Watt/Channel

Radio Frequency: AM 530-1710 KHz, FM 88 -108 MHz

Accessories:

1 x Instruction Manual

4 x iPod docking adaptors

1 x Remote Control (1 x CR 2032 button cell included)

Specifications are subject to change without notice.

LIMITED PRODUCT WARRANTY

This quality product is warranted to be free from manufacturer's defects in material and workman-ship, provided that the unit is used under the normal operating conditions intended by the manufacturer.

Should you have any problem with this product, please and it is highly recommended to visit our website at www.curtisint.com before you take any other steps as we have additional copies of instruction manuals, operating manuals and trouble shooting tips on our website which gives you the answer on most of the questions you could have in operating the unit.

TERMS OF WARRANTY

C.I. Service Dept. warrants this product to be free from defects in materials and workmanship for 90 days on parts and 90 days on labor. If you originally purchased your product more than 90 days ago, a repair fee may apply.

Nothing within this warranty shall imply that C.I. will be responsible or liable for any damage to any items placed in this product, whether due to any defect of the product, or its use, whether proper or improper.

EXCLUSIONS

Save as herein provided, C.I. Service Dept. (Canada) or C.I. Service Dept. (USA), there are no other warranties, conditions, representations or guarantees, express or implied, made or intended by C.I. or its authorized distributors and all other warranties, conditions, representations or guarantees, including any warranties, conditions, representations or guarantees under any Sale of Goods Act or like legislation or statute is hereby expressly excluded. Save as herein provided, C.I. Service Dept. (Canada) or C.I. Service Dept. (USA), shall not be responsible for any damages to persons or property, including the unit itself, howsoever caused or any consequential damages arising from the malfunction of the unit and by the purchase of the unit, the purchaser does hereby agree to indemnify and save harmless C.I. from any claim for damages to persons or property caused by the unit.

TO OBTAIN REPAIRS UNDER THE TERMS OF THIS WARRANTY

1. The original purchaser must present a copy of the original bill of sale and the service warranty card.
2. Any alterations, abuse, misuse, battery corrosion or accidental damage voids the warranty.
3. The warranty does not cover cabinets and accessories.
4. No warranty or insurance contained or set out shall apply when damage or repair is caused by power failure; damage in transit or when moving the unit; improper power supply; use for commercial or industrial purposes; service calls resulting in customer education, etc.
5. The defective product should be mailed to:

Canada
C.I. Service Dept.
315 Attwell Dr

Toronto, Ontario
M9W 5C1

U.S.A
C.I. Service Dept.
2215 Kenmore Avenue

Ste 100
Buffalo, N.Y.
14207

For service assistance and product information, please call: 1-800-968-9853.

If mailing the product, the freight must be prepaid and a money order for \$7.00 should be included to cover the cost of insurance and the return of the product.

6. C.I. reserves the right to repair or replace the parts which have become defective.

Model No. _____ Date Purchased _____ Serial No. _____

Free Manuals Download Website

<http://myh66.com>

<http://usermanuals.us>

<http://www.somanuals.com>

<http://www.4manuals.cc>

<http://www.manual-lib.com>

<http://www.404manual.com>

<http://www.luxmanual.com>

<http://aubethermostatmanual.com>

Golf course search by state

<http://golfingnear.com>

Email search by domain

<http://emailbydomain.com>

Auto manuals search

<http://auto.somanuals.com>

TV manuals search

<http://tv.somanuals.com>