

### CSTL1506 15 INCH LCD TELEVISION (Photo Stand Type)

## FEATURES

- **MTS/SAP Tuner**
- **181 Channel Selection**- All VHF/UHF channels plus up to 125 cable channels.
- **PLL Frequency Synthesized Tuning**- Provides free and easy channel selection and lets you tune directly to any channel using the channel number buttons on the remote control.
- **Sleep Timer**
- **Closed Caption Decoder**
- **Auto Shut Off Function**- If there is no signal input from the antenna terminal and no user operation for 15 minutes, the TV will turn itself off automatically.
- **V-CHIP**- Enables parents to prevent their children from watching inappropriate material on TV.
- **Full-Function Remote Control**
- **On-Screen Function Display**
- **S-VIDEO Input**- Allows you to get better picture detail and clarity.
- **Component Input**- Allows you to get superior picture detail and clarity.

## PRECAUTIONS

- Place your TV in a room with adequate ventilation.
- Keep your TV set away from sources of direct heat, such as heat registers or direct sunlight.
- Do not place your TV on soft surfaces, such as rugs or blankets.
- Leave enough room for air to circulate around the bottom, top and back of the set.

The serial number of this product may be found on the back of the TV. No others have the same serial number as yours. You should record the number and other vital information here and retain this book as a permanent record of your purchase to aid identification in case of theft.

Date of Purchase		Dealer Phone No.	
Dealer Purchase from		Model No.	
Dealer Address		Serial No.	

**IF YOU NEED ADDITIONAL ASSISTANCE WITH SET-UP OR OPERATING AFTER READING OWNER'S MANUAL, PLEASE CALL TOLL FREE 1-800-242-7158 OR VISIT OUR WEB SITE AT <http://www.Symphonic.us>**

## IMPORTANT SAFEGUARDS

### WARNING:

TO REDUCE THE RISK OF FIRE OR ELECTRIC SHOCK, DO NOT EXPOSE THIS APPLIANCE TO RAIN OR MOISTURE.



**CAUTION:** TO REDUCE THE RISK OF ELECTRIC SHOCK, DO NOT REMOVE COVER (OR BACK) NO USER SERVICEABLE PARTS INSIDE. REFER SERVICING TO QUALIFIED SERVICE PERSONNEL.


The important note is located on the rear of the cabinet.



THIS SYMBOL INDICATES THAT DANGEROUS VOLTAGE CONSTITUTING A RISK OF ELECTRIC SHOCK IS PRESENT WITHIN THIS UNIT.



THIS SYMBOL INDICATES THAT THERE ARE IMPORTANT OPERATING AND MAINTENANCE INSTRUCTIONS IN THE LITERATURE ACCOMPANYING THE APPLIANCE.

- 1. READ INSTRUCTIONS** - All the safety and operating instructions should be read before the appliance is operated.
- 2. RETAIN INSTRUCTIONS** - The safety and operating instructions should be retained for future reference.
- 3. HEED WARNINGS** - All warnings on the appliance and in the operating instructions should be adhered to.
- 4. FOLLOW INSTRUCTIONS** - All operating and use instructions should be followed.
- 5. CLEANING** - Unplug TV from the wall outlet before cleaning. Do not use liquid cleaners or aerosol cleaners. Use a damp cloth for cleaning.  
**EXCEPTION:** A product that is meant for uninterrupted service and, that for some specific reason, such as the possibility of the loss of an authorization code for a CATV converter, is not intended to be unplugged by the user for cleaning or any other purpose, may exclude the reference to unplugging the appliance in the cleaning description otherwise required in item 5.
- 6. ATTACHMENTS** - Do not use attachments not recommended by the TV manufacturer as they may cause hazards.
- 7. WATER AND MOISTURE** - Do not use this TV near water, for example, near a bath tub, wash bowl, kitchen sink, or laundry tub, in a wet basement, or near a swimming pool, and the like.
- 8. ACCESSORIES** - Do not place this TV on an unstable cart, stand, tripod, bracket, or table. The TV may fall, causing serious injury to someone, and serious damage to the appliance. Use only with a cart, stand, tripod, bracket, or table recommended by the manufacturer, or sold with the TV.  

- 9. VENTILATION** - Slots and openings in the cabinet and the back or bottom are provided for ventilation and to ensure reliable operation of the TV and to protect it from overheating, these openings must not be blocked or covered. The openings should never be blocked by placing the TV on a bed, sofa, rug, or other similar surface. This TV should never be placed near or over a radiator or heat register. This TV should not be placed in a built-in installation such as a bookcase or rack unless proper ventilation is provided or the manufacturer's instructions have been adhered to.
- 10. POWER SOURCES** - This TV should be operated only from the type of power source indicated on the marking label. If you are not sure of the type of power supply to your home, consult your appliance dealer or local power company. For TVs intended to operate from battery power, or other sources, refer to the operating instructions.
- 11. GROUNDING OR POLARIZATION** - This TV is equipped with a polarized alternating-current line plug (a plug having one blade wider than the other). This plug will fit into the power outlet only one way. This is a safety feature. If you are unable to insert the plug fully into the outlet, try reversing the plug. If the plug should still fail to fit, contact your electrician to replace your obsolete outlet. Do not defeat the safety purpose of the polarized plug.
- 12. POWER-CORD PROTECTION** - Power-supply cords should be routed so that they are not likely to be walked on or pinched by items placed upon or against them, paying particular attention to cords at plugs, convenience receptacles, and the point where they exit from the appliance.
- 13. OUTDOOR ANTENNA GROUNDING** - If an outside antenna or cable system is connected to the TV, be sure the antenna or cable system is grounded so as to provide some protection against voltage surges and built-up static charges. Article 810 of the National Electrical Code, ANSI/NFPA No. 70, provides information with respect to proper grounding of the mast

### FUNAI CORPORATION LIMITED WARRANTY

FUNAI CORP. will repair this product, free of charge in CANADA in the event of defect in materials or workmanship as follows:

**DURATION :**

**PARTS :** FUNAI CORP. will provide parts to replace defective parts without charge for one (1) year from the date of original retail purchase. Certain parts and LCD image burn-in are not covered under this warranty.

**LABOR :** FUNAI CORP. will provide the labor without charge for a period of ninety (90) days from the date of original retail purchase.

**LIMITS AND EXCLUSIONS :**

THIS WARRANTY IS EXTENDED ONLY TO THE ORIGINAL RETAIL PURCHASER. A PURCHASE RECEIPT OR OTHER PROOF OF ORIGINAL RETAIL PURCHASE WILL BE REQUIRED TOGETHER WITH THE PRODUCT TO OBTAIN SERVICE UNDER THIS WARRANTY.

This warranty shall not be extended to any other person or transferee.

This warranty is void and of no effect if any serial numbers on the product are altered, replaced, defaced, missing or if service was attempted by AN UNAUTHORIZED SERVICE CENTER. This limited warranty does not apply to any product not purchased and used in CANADA.

This warranty only covers failures due to defects in material or workmanship which occurs during normal use. It does not cover damage which occurs in shipment, or failures which are caused by repairs, alterations or product not supplied by FUNAI CORP., or damage which results from accident, misuse, abuse, mishandling, misapplication, alteration, faulty installation, improper maintenance, commercial use such as hotel, rental or office use of this product or damage which results from fire, flood, lightning or other acts of God.

THIS WARRANTY DOES NOT COVER PACKING MATERIALS, ANY ACCESSORIES (EXCEPT REMOTE CONTROL), ANY COSMETIC PARTS, COMPLETE ASSEMBLY PARTS, DEMO OR FLOOR MODELS.

FUNAI CORP. AND ITS REPRESENTATIVES OR AGENTS SHALL IN NO EVENT BE LIABLE FOR ANY GENERAL, INDIRECT OR CONSEQUENTIAL DAMAGES ARISING OUT OF OR OCCASIONED BY THE USE OF OR THE INABILITY TO USE THIS PRODUCT. THIS WARRANTY IS MADE IN LIEU OF ALL OTHER WARRANTIES, EXPRESS OR IMPLIED, AND OF ALL OTHER LIABILITIES ON THE PART OF FUNAI, ALL OTHER WARRANTIES INCLUDING THE WARRANTY OF MERCHANTABILITY AND FITNESS FOR A PARTICULAR PURPOSE, ARE HEREBY DISCLAIMED BY FUNAI AND ITS REPRESENTATIVES IN CANADA.

ALL WARRANTY INSPECTIONS AND REPAIRS MUST BE PERFORMED BY AN AUTHORIZED SERVICE CENTER. THIS WARRANTY IS ONLY VALID WHEN THE UNIT IS CARRIED-IN TO AN AUTHORIZED SERVICE CENTER.

THE PRODUCT MUST BE ACCOMPANIED BY A COPY OF THE ORIGINAL RETAIL PURCHASE RECEIPT. IF NO PROOF OF PURCHASE IS ATTACHED, THE WARRANTY WILL NOT BE HONORED AND REPAIRS COSTS WILL BE CHARGED.

**ATTENTION :**

FUNAI CORP. RESERVES THE RIGHT TO MODIFY ANY DESIGN OF THIS PRODUCT WITHOUT PRIOR NOTICE.

**WARRANTY STATEMENT REGARDING NON AUTHORIZED REPAIRS:**

To obtain warranty service, you must take the product, or deliver the product freight prepaid, in either its original packaging or packaging affording an equal degree of protection, to any AUTHORIZED SERVICE CENTER. FUNAI CORP. will not reimburse you for any service done by unauthorized service providers without prior written approval.

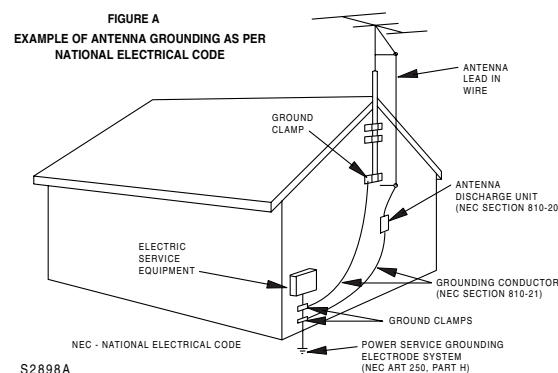
To locate your nearest AUTHORIZED SERVICE CENTER or for general service inquiries, please contact us at :

**FUNAI CORPORATION**  
 Customer Service  
**Tel: 1-800-242-7158**  
**<http://www.Symphonic.us>**  
 19900 Van Ness Avenue, Torrance, CA 90501

1EMN21890

Printed in China  
L2502CC\* \* \* \* \*

- 14. LIGHTNING** - For added protection for this TV receiver during a lightning storm, or when it is left unattended and unused for long periods of time, unplug it from the wall outlet and disconnect the antenna or cable system. This will prevent damage to the TV due to lightning and power-line surges.
- 15. POWER LINES** - An outside antenna system should not be located in the vicinity of overhead power lines or other electric light or power circuits, or where it can fall into such power lines or circuits. When installing an outside antenna system, extreme care should be taken to keep from touching such power lines or circuits as contact with them might be fatal.
- 16. OVERLOADING** - Do not overload wall outlets and extension cords as this can result in a risk of fire or electric shock.
- 17. OBJECT AND LIQUID ENTRY** - Never push objects of any kind into this TV through openings as they may touch dangerous voltage points or short out parts that could result in a fire or electric shock. Never spill liquid of any kind on the TV.
- 18. SERVICING** - Do not attempt to service this TV yourself as opening or removing covers may expose you to dangerous voltage or other hazards. Refer all servicing to qualified service personnel.
- 19. DAMAGE REQUIRING SERVICE** - Unplug this TV from the wall outlet and refer servicing to qualified service personnel under the following conditions:
  - When the power supply cord or plug is damaged or frayed.
  - If liquid has been spilled, or objects have fallen into the TV.
  - If the TV has been exposed to rain or water.
  - If the TV does not operate normally by following the operating instructions. Adjust only those controls that are covered by the operating instructions, as improper adjustment of other controls may result in damage and will often require extensive work by a qualified technician to restore the TV to its normal operation.
  - If the TV has been dropped or damaged in any way.
  - When the TV exhibits a distinct change in performance, this indicates a need for service.
- 20. REPLACEMENT PARTS** - When replacement parts are required, be sure the service technician uses replacement parts specified by the manufacturer that have the same characteristics as the original part. Unauthorized substitutions may result in fire, electric shock, injury to persons or other hazards.
- 21. SAFETY CHECK** - Upon completion of any service or repairs to this TV, ask the service technician to perform routine safety checks to determine that the TV is in proper operating condition.
- 22. HEAT** - This TV product should be situated away from heat sources such as radiators, heat registers, stoves, or other products (including amplifiers) that produce heat.



**FCC WARNING - This equipment may generate or use radio frequency energy. Changes or modifications to this equipment may cause harmful interference unless the modifications are expressly approved in the instruction manual. The user could lose the authority to operate this equipment if an unauthorized change or modification is made.**

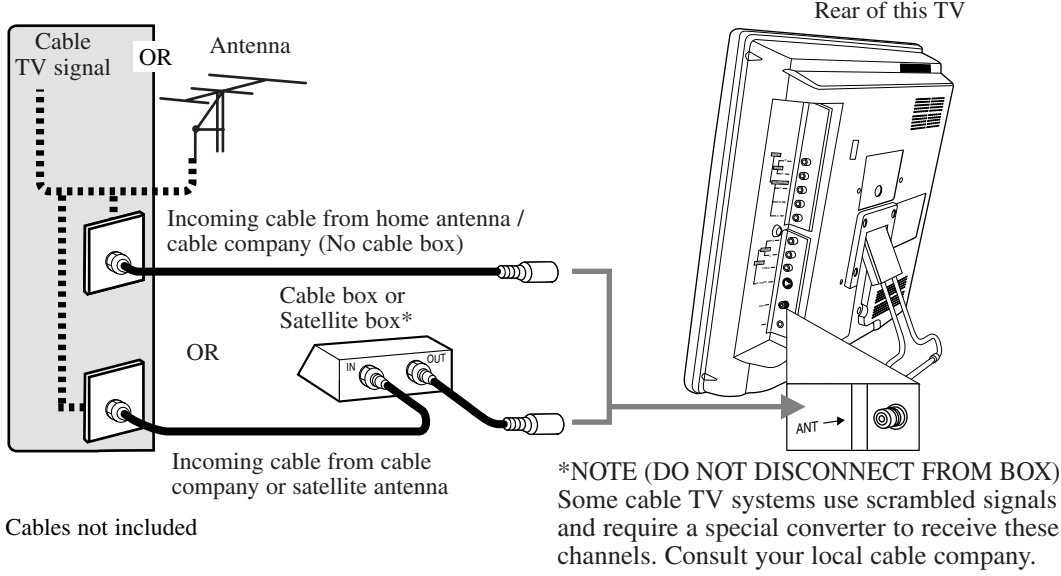
### Note to CATV system installer:

This reminder is provided to call the CATV system installer's attention to Article 820-40 of the NEC that provides guidelines for proper grounding and, in particular, specifies that the cable ground shall be connected to the grounding system of the building as close to the point of cable entry as practical.

# PREPARATION FOR USE

## CONNECTIONS

Plug the incoming cable into the ANT jack on the rear of the TV.



You can bracket this product as wall mounting TV using the arm adapted for 100mm (commercially available).

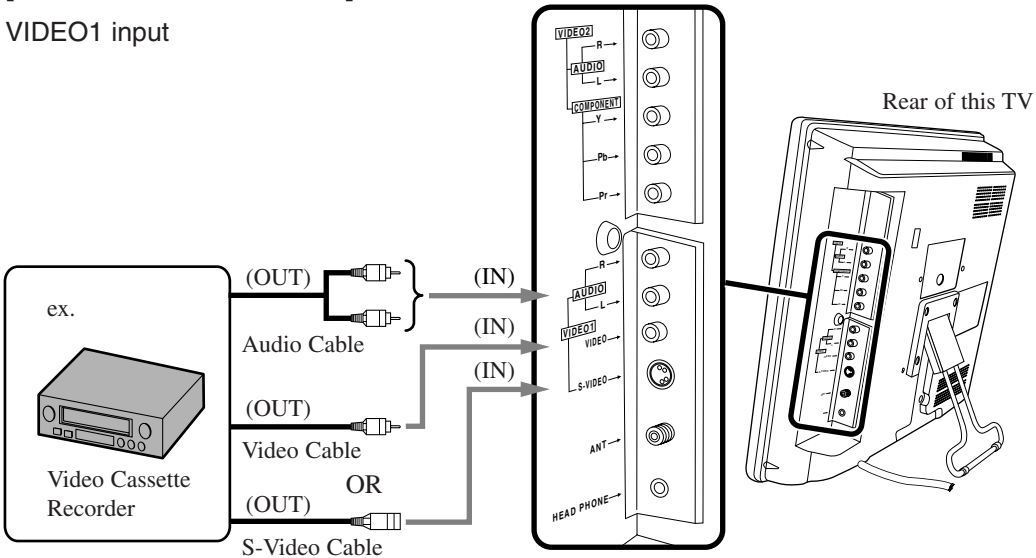
**CAUTION:** TO PREVENT ELECTRIC SHOCK, MATCH WIDE BLADE OF PLUG TO WIDE SLOT, FULLY INSERT.

### Note:

- For your safety and to avoid damages to the unit, unplug the antenna cable from the ANT jack before moving the unit.

## [EXTERNAL CONNECTION]

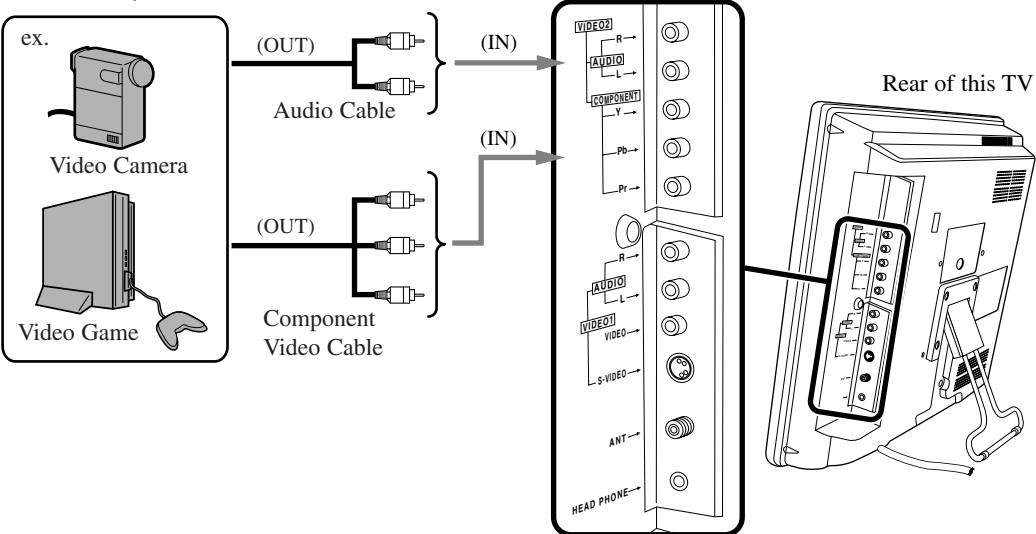
### VIDEO1 input



### Notes:

- The AUDIO L jack is for mono input. The sound is heard from both speakers. Use this jack for connecting monaural audio equipment.
- The S-VIDEO jack is given priority over the VIDEO jack.

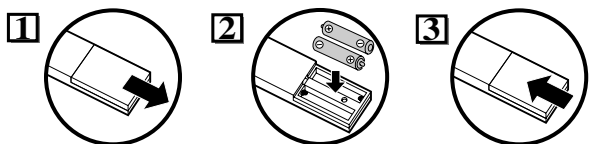
### VIDEO2 input



### Notes:

- This TV can accept 480p / 480i / simplified 1080i video signal.
- Simplified 1080 video signal differs to the original 1080i video signal because it is displayed after converted into 480p signal.

## INSTALLING THE BATTERIES



Install two AAA batteries (supplied) matching the polarity indicated inside battery compartment of the remote control.

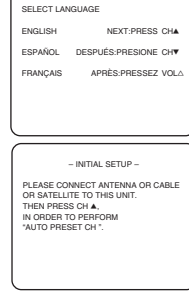
## [BATTERY PRECAUTIONS]

- Be sure to follow the correct polarity as indicated in the battery compartment. Reversed batteries may cause damage to the device.
- Do not mix different types of batteries together (e.g. Alkaline and Carbon-Zinc) or old batteries with fresh ones.
- If the device is not to be used for a long period of time, remove the batteries to prevent damage or injury from possible battery leakage.
- Do not try to recharge batteries not intended to be recharged; they can overheat and rupture.

## INITIAL SETUP

When you turn on the power for the first time, the "SELECT LANGUAGE" menu is displayed. The "INITIAL SETUP" menu is displayed every time you turn on the unit unless the scanning is completed.

**1** Select the desired language according to the screen indication. After that, the TV performs "AUTO PRESET CH" to scan channels available for the broadcasting in your area.



**2** If the TV screen shows snow noise and there is no operation for more than 5 seconds, "HELPFUL HINTS" appears. Follow the instructions listed on-screen.

**- HELPFUL HINTS -**  
 1. PLEASE CHECK TO SEE IF THE ANTENNA/CABLE/SATELLITE IS PROPERLY CONNECTED.  
 2. DID YOU PERFORM "AUTO PRESET CH"?  
 3. PLEASE REFER TO FRONT PAGE OF THE OWNER'S MANUAL OR REAR PANEL FOR SUPPORT LINE INFORMATION.

When the scanning is completed, or [MENU] is pressed during channel scanning to cancel it, the tuner stops on the lowest memorized channel.

### Notes:

- In case no channel can be received by the channel scanning, "NO TV SIGNALS" is displayed on the screen. Turn off the unit and check the antenna connection, then follow step 1 again.
- If those settings do not work properly, please call our help line on the front page of this owner's manual.

## SELECTING AUDIO/VIDEO INPUT

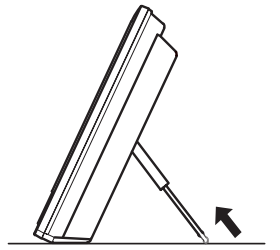
When you use the AUDIO/VIDEO input jacks, select "VIDEO1" or "VIDEO2" mode by pressing [INPUT SELECT] on the remote control or [SELECT] on the main unit. The input mode changes by pressing the button as following:



## PHOTO STAND

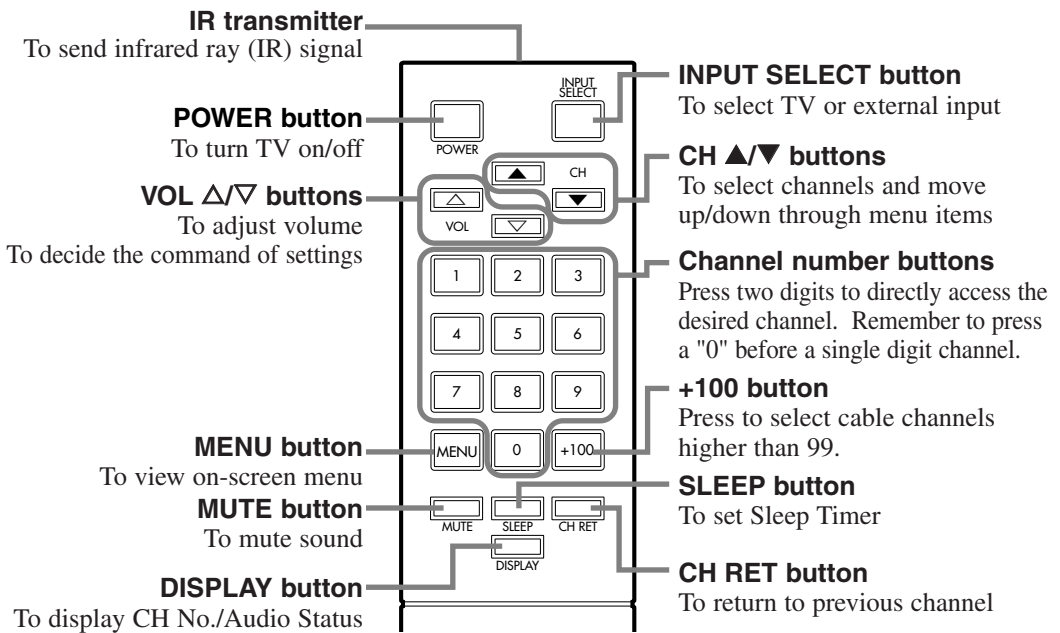
### Photo Stand

Adjust the length of the stand in 5 levels to change the angle of the TV.



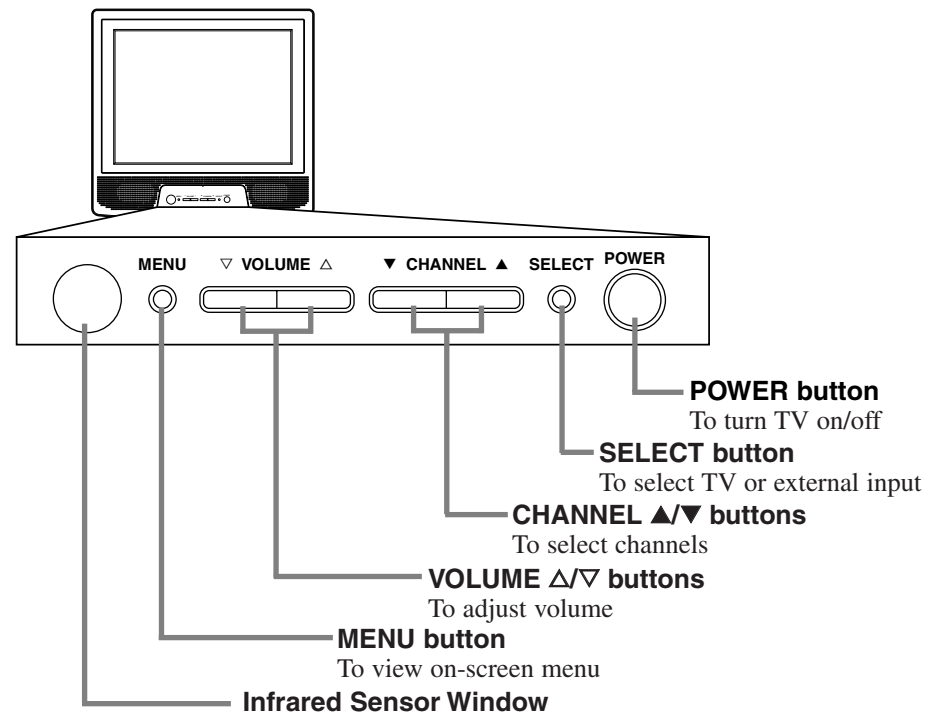
# OPERATIONS

## REMOTE CONTROL AND FRONT PANEL FUNCTION



### Note:

- You can test if the remote control sends out the infrared signal with an AM radio. (Refer to "TROUBLESHOOTING GUIDE".)



### Note:

- If some digits appear in the corner of the screen when the unit is turned on for the first time, press [POWER] without unplugging the power cord.



# OPERATIONS (Continued)

## CHANNEL SETTING

### [AUTO PRESET CHANNELS]

Channel presetting is necessary at the start or in case you moved the TV to a different area. This feature automatically scans and memorizes all available channels in your area and lets you easily select with [CH ▲/▼].

**1** Select "CHANNEL SET UP"

- TV SET UP -

- PICTURE
- ▶ CHANNEL SET UP
- V-CHIP SET UP
- LANGUAGE [ENGLISH]
- CAUTION [OFF]
- TV SOUND [MAIN]
- BACK LIGHT [BRIGHT]
- SLEEP [0] MINUTE

**2** Select "AUTO PRESET CH"

- CHANNEL SET UP -

- ▶ ADD/DELETE CH (TV)
- AUTO PRESET CH

The tuner scans and memorizes all available channels in your area.

**3** When the scanning is completed, the lowest memorized channel appears on the TV screen.

**Notes:**

- The TV distinguishes between standard TV channels and cable (CATV) channels.
- The TV may recognize CATV channels as TV channels if reception condition is poor. If this happens, check the antenna connections and try steps 2 to 3 again when reception conditions are better.
- If there is no TV signal input, "NO TV SIGNAL" will appear on the display after the completion of channel scanning.

### [ADDING/DELETING CHANNELS]

You can add channels that was not memorized by AUTO PRESET CH due to the bad reception status and also delete channels you no longer receive or seldom watch.

**1** Select "CHANNEL SET UP"

- TV SET UP -

- PICTURE
- ▶ CHANNEL SET UP
- V-CHIP SET UP
- LANGUAGE [ENGLISH]
- CAUTION [OFF]
- TV SOUND [MAIN]
- BACK LIGHT [BRIGHT]
- SLEEP [0] MINUTE

**2** Select "ADD/DELETE CH"

- CHANNEL SET UP -

- ▶ ADD/DELETE CH (TV)
- AUTO PRESET CH

**3** Select the channel you wish

CH or 1 2 3  
4 5 6  
7 8 9  
0

**4** Add or delete the channel

VOL ADD/DELETE 15

Add: light blue  
Delete: light red

**5** To exit the menu

**Notes:**

- When you disconnect the unit from the AC outlet or when you have a power failure, the sleep time will be lost.
- To cancel the sleep timer, press [SLEEP] repeatedly until "SLEEP 0 MINUTE" is displayed.
- The Sleep Timer Setting display will disappear automatically after 10 seconds of the operation.
- You can also set the Sleep Timer by pressing [SLEEP] repeatedly.

## SLEEP TIMER SETTING

**1** Select "SLEEP"

- TV SET UP -

- PICTURE
- CHANNEL SET UP
- V-CHIP SET UP
- LANGUAGE [ENGLISH]
- CAUTION [OFF]
- TV SOUND [MAIN]
- BACK LIGHT [BRIGHT]
- ▶ SLEEP [0] MINUTE

The time increases by 10 minutes up to 90.

## MULTI-CHANNEL TELEVISION SOUND (MTS) SYSTEM

**1** Select "TV SOUND"

- TV SET UP -

- PICTURE
- CHANNEL SET UP
- V-CHIP SET UP
- LANGUAGE [ENGLISH]
- CAUTION [OFF]
- ▶ TV SOUND [MAIN]
- BACK LIGHT [BRIGHT]
- SLEEP [0] MINUTE

**2** Select the desired sound mode

[MAIN] ↔ [MONO] ↔ [SAP]

**3** To exit the menu

Menu Selection	MAIN	MONO	SAP*
Regular	-None-	-None-	-None-
Stereo broadcast	STEREO	MONO	STEREO
SAP	MAIN	MAIN	SAP

**\*Second Audio Program (SAP) :** Your program can also be received in a second language or sometimes a radio station.

**Note:**

- If you select [SAP] when second audio is not available, the TV will receive normal audio.

## BRIGHTNESS

Adjust until the darkest parts of the picture are as bright as you prefer.

- [-] : decrease brightness
- [+] : increase brightness

## CONTRAST

Adjust to increase or decrease contrast.

- [-] : decrease contrast
- [+] : increase contrast

## COLOR

Adjust to be brilliant or pale color.

- [-] : be pale color
- [+] : be brilliant color

## TINT

Adjust to obtain natural skin tones.

- [-] : add red
- [+] : add green

## SHARPNESS

Adjusts the detail of the picture.

- [-] : less clear
- [+] : more clear

## BACK LIGHT SETTING

**1** Select "BACK LIGHT"

- TV SET UP -

- PICTURE
- CHANNEL SET UP
- V-CHIP SET UP
- LANGUAGE [ENGLISH]
- CAUTION [OFF]
- TV SOUND [MAIN]
- ▶ BACK LIGHT [BRIGHT]
- SLEEP [0] MINUTE

**2** Select the desired brightness mode

VOL [BRIGHT] ↔ [NORMAL] ↔ [DARK]

**3** To exit the menu

## CLOSED CAPTION

You may view specially labeled (cc) TV programs, movies, news and prerecorded tapes, etc. with either a dialogue caption or text display added to the program.

**1** Select "CAPTION"

- TV SET UP -

- PICTURE
- CHANNEL SET UP
- V-CHIP SET UP
- LANGUAGE [ENGLISH]
- ▶ CAPTION [OFF]
- TV SOUND [MAIN]
- BACK LIGHT [BRIGHT]
- SLEEP [0] MINUTE

**2** Select the desired caption mode

VOL [OFF] ↔ [CAPTION1] ↔ [CAPTION2]  
[TEXT2] ↔ [TEXT1]

**3** To exit the menu

### [CAPTION MODE (CAPTION1, CAPTION2)]

- CAPTION1** displays standard closed captions (what a character is saying).
- CAPTION2** displays foreign language closed captions (foreign language words showing what a character is saying).
- There are three ways of displaying according to programs:

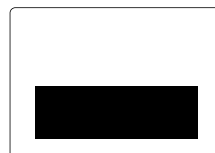
**Paint-on mode:** Displays input characters on the screen immediately.

**Pop-on mode :** Once characters are stored in memory, they are displayed all at once.

**Roll-up mode :** Displays the characters continuously by scrolling (max. 4 lines).

### [TEXT MODE (TEXT1, TEXT2)]

- TEXT1 and TEXT2** display half-screen text by scrolling (such as a channel guide, schedule or announcement).



**Notes:**

- If closed captioning is not broadcasted, you cannot receive it and nothing is displayed.
- When your TV receives a special effects playback signal (i.e., Search, Slow and Still) from a VCR's video output channel (CH3 or CH4), the TV may not display the correct caption or text.
- Captions and texts may not match the TV voice exactly.
- Interference may cause the closed caption system not to function properly.
- The caption or text characters will not be displayed while the menu display or functions display is shown.
- If a black box appears on the screen, this means that the TV is set to TEXT mode. To clear screen, select [CAPTION1], [CAPTION2] or [OFF].

## OPTIONAL SETTINGS

### LANGUAGE SELECTION

**1** Select "LANGUAGE"

- TV SET UP -

- PICTURE
- CHANNEL SET UP
- V-CHIP SET UP
- ▶ LANGUAGE [ENGLISH]
- CAUTION [OFF]
- TV SOUND [MAIN]
- BACK LIGHT [BRIGHT]
- SLEEP [0] MINUTE

**2** Select the desired language

VOL [ENGLISH] ↔ [ESPAÑOL]  
[FRANÇAIS]

**3** To exit the menu

## PICTURE ADJUSTMENT

**1** Select "PICTURE"

- TV SET UP -

- ▶ PICTURE
- CHANNEL SET UP
- V-CHIP SET UP
- LANGUAGE [ENGLISH]
- CAUTION [OFF]
- TV SOUND [MAIN]
- BACK LIGHT [BRIGHT]
- SLEEP [0] MINUTE

**2** Select an item to adjust

CH [BRIGHTNESS] ↔ [CONTRAST]  
[SHARPNESS] ↔ [TINT] ↔ [COLOR]

**3** Adjust the setting

VOL ... + BRIGHTNESS -|.....|+

# OPTIONAL SETTINGS (Continued)

## V-CHIP SET UP

This enables parents to prevent their children from watching inappropriate material on TV.

- The limitation is not available for news, sports programs, unedited movies on premium cable channels and Emergency Broadcast System signals.
- When you try to access to a program which is blocked, "PROTECTED PROGRAM by ..." message appears on the TV screen.
- Programming may be rated by the Motion Picture Association of America (MPAA) or according to the Television Parental Guidelines. In order to block any inappropriate programming, set your limits in both MPAA RATING and TV RATING.

**1** Select "V-CHIP SET UP"

TV SET UP -  
 PICTURE CHANNEL SET UP  
 V-CHIP SET UP  
 LANGUAGE [ENGLISH]  
 CAPTION [OFF]  
 TV SOUND [MAIN]  
 BACK LIGHT [BRIGHT]  
 SLEEP [0] MINUTE

**2** Enter 4-digit code

ACCESS CODE  
 [ ] [ ] [ ] [ ]

If you have not set up your personal access code, enter 0000 (default access code).

**3** Select a feature to set up

TV RATING  
 MPAA RATING  
 CHANGE CODE

## A [TV RATING SET UP]

**4** Select a rating

TV-Y ( ) [VIEW]  
 TV-Y7 ( ) [VIEW]  
 TV-G ( ) [VIEW]  
 TV-PG ( ) [VIEW]  
 TV-14 ( ) [VIEW]  
 TV-MA ( ) [VIEW]

**<Selection> <Rating Category Explanations>**

- TV-Y : Appropriate for all children
- TV-Y7 : Appropriate for children seven and older
- TV-G : General Audience
- TV-PG : Parental Guidance suggested
- TV-14 : Unsuitable for children under 14
- TV-MA : Mature audience only

**5-1** \* Rating with no sub categories  
 Set to [BLOCK] or [VIEW]

TV-Y ( ) [VIEW]  
 TV-Y7 ( ) [VIEW]  
 TV-G ( ) [VIEW]  
 TV-PG (DLSV) [BLOCK]  
 TV-14 (DLSV) [BLOCK]  
 TV-MA (LSV) [BLOCK]

**5-2** \* Rating with sub categories

TV-Y ( ) [VIEW]  
 TV-Y7 ( ) [VIEW]  
 TV-G ( ) [VIEW]  
 TV-PG ( ) [VIEW]  
 TV-14 ( ) [VIEW]  
 TV-MA ( ) [VIEW]

Sub categories

TV-PG ( ) [BLOCK]  
 D [BLOCK]  
 L [BLOCK]  
 S [BLOCK]  
 V [BLOCK]

Set to [BLOCK] or [VIEW]

TV-PG [BLOCK]  
 D [VIEW]  
 L [BLOCK]  
 S [BLOCK]  
 V [BLOCK]

**<Selection> <Rating Category Explanations>**

- TV-Y7 : Fantasy Violence
- TV-PG / TV-14 / TV-MA :  
 D : Suggestive Dialog (TV-PG, TV-14 only)  
 L : Coarse Language  
 S : Sexual Situation  
 V : Violence

**6** To exit the menu

**B [MPAA RATING SET UP]**

**4** Select a rating

G [VIEW]  
 PG [VIEW]  
 PG-13 [VIEW]  
 R [VIEW]  
 NC-17 [VIEW]  
 X [VIEW]

**5** Set to [BLOCK] or [VIEW]

G [VIEW]  
 PG [VIEW]  
 PG-13 [VIEW]  
 R [BLOCK]  
 NC-17 [BLOCK]  
 X [BLOCK]

**<Selection> <Rating Category Explanations>**

- G : General Audience
- PG : Parental Guidance suggested
- PG-13 : Unsuitable for children under 13
- R : Restricted; under 17 requires accompanying parent or adult guardian
- NC-17 : No one under 17 admitted
- X : Mature audience only

**6** To exit the menu

**6** To exit the menu

**Notes (for TV RATING and MPAA RATING):**

- You cannot access the setup menu when the "PROTECTED PROGRAM by ..." message appears. Move to an unblocked channel before you press [MENU].
- When you select a rating and set it to [BLOCK], the higher ratings will be blocked automatically. The lower ratings will be available for viewing.
- When you set the lowest rating to [VIEW], all other ratings will automatically be available for viewing.

**C [CHANGING THE ACCESS CODE]**

**4** Enter 4-digit code

NEW CODE [X][X][X][X]  
 CONFIRM CODE [ ] [ ] [ ] [ ]

**5** To exit the menu

**Notes:**

- Make sure you enter exactly the same new code in the "CONFIRM CODE" space as one in the "NEW CODE" space. If they are different, the "NEW CODE" space is cleared for redoing.
- Your personal access code will be erased and will return to the default (0000) when a power failure occurs or when you turn off the power using a wall switch. If you have forgotten the code, unplug the power cord for 10 seconds to restore the access code to 0000.

# TROUBLESHOOTING GUIDE

Sometimes a performance problem can be easily solved by checking seemingly apparent but often overlooked possibilities. Before arranging for service, check these items. It could save your time and money.

QUICK SERVICE CHECK LIST	PROBLEM	Remote Control Doesn't Work	Bars on Screen	Picture Distorted	Picture Rolls Vertically	No Color	Poor Reception on Some Channels	Weak Picture	Lines or Streaks in Picture	Ghosts in Picture	Picture Blurred	Sound OK, Picture Poor	Picture OK, Sound Poor	No Picture or Sound	Different Color Marks on Screen	Black or Luminous Point on Screen
Try a new channel, if OK, then possible station trouble.				X	X	X	X	X	X	X	X	X	X	X	X	X
Is TV plugged in?		X												X		
Power at outlet?		X												X		
Is TV's power on?														X		
Is antenna or cable connected to terminal on the back of the set?						X	X	X	X	X	X	X	X	X		
If outside antenna is being used, check for broken wire or loose connection.		X	X	X	X	X	X	X	X	X	X	X	X	X		
Check for local interference.		X	X	X	X	X	X	X	X	X	X	X	X	X		
Turn off the TV and then turn it on after about a minute.														X		
Adjust COLOR control.						X										
Adjust CONTRAST & BRIGHTNESS control.									X				X			
Check batteries in remote control.		X														
Move the TV away from the nearby appliances which generate a magnetic field.															X	
Turn off using [POWER], then turn it on again 30 minutes later or so.																X
Temperature around is too low.			X									X				
Life of the Back Light is approximately 50,000 hours. Ask the Service Center to replace.									X			X				
Is it quality of the LCD Panel.																X
Check if there is an obstacle between the sensor and the remote control.		X														
Test the signal output.* If OK, then possible remote sensor trouble.		X														

\*Additional Remote Test  
 Tune an AM radio to a station with no broadcasting. Press a button on the remote control toward the radio. Sound will be fluttering when you press any key and the radio receives the signal. This means the remote control unit is working.

Closed Caption Problem	Possible Remedy
Misspelled captions are shown.	Spelling errors may pass through uncorrected by the closed captioning production company in a live broadcast.
Text is not shown in its entirety or there is a delay of what is being said.	Captions that are delayed a few seconds behind the actual dialogue are common for live broadcasts. Most captioning production companies can display a dialogue to a maximum of 220 words per minute. If a dialogue exceeds that rate, selective editing is used to insure that the captions remain up-to-date with the current TV screen dialogue.
Captions are scrambled with white boxes on the TV screen.	Interference caused by building, power lines, thunderstorms, etc. may cause scrambled or incomplete captions to appear.
No captions are displayed in a program which must contain closed caption.	Broadcasters may use a time compression process to the actual program so that additional advertising time can be given. In this case, captions will be lost since the decoder cannot read the compressed information.
No captions are displayed when playing a prerecorded videotape with closed caption.	The videotape may be either an illegal copy or the tape duplicating company may accidentally have left out the captioning signals during the copying process.
The TV screen shows a black box.	You are in TEXT mode. Select [CAPTION1], [CAPTION2] or [OFF].

The LCD panel is manufactured to provide many years of useful life. Occasionally a few non active pixels may appear as a fixed point of blue, green or red. This is not to be considered a defect in the LCD screen.

# MAINTENANCE

## CABINET CLEANING

- Wipe the front panel and other exterior surfaces of the TV with a soft cloth immersed in lukewarm water and wrung dry.
- Never use a solvent or alcohol. Do not spray insecticide liquid near the TV. Such chemicals may cause damage and discoloration to the exposed surfaces.

## PICTURE SCREEN CLEANING

If the liquid crystal display panel should require cleaning, wipe it with a cotton or soft cloth. Before cleaning the picture screen, disconnect the power cord.

# SUPPLIED ACCESSORIES

- Owner's Manual (1EMN21890)
- Remote control unit (NE900UD)
- Batteries ("AAA" x 2)

# SPECIFICATIONS

## GENERAL SPECIFICATIONS

Television system: NTSC-M  
 TV Standard

Closed Caption System: §15.119/FCC

Channel coverage  
 VHF: 2 ~ 13  
 UHF: 14 ~ 69  
 CATV: 2 ~ 13, A ~ W, W+1 ~ W+84, A-5 ~ A-1, 5A

Tuning System: 181 channels frequency synthesized tuning system

Channel access: Direct access keyboard, programmable scan and up/down

Terminals  
 Antenna input: VHF/UHF/CATV  
 75 ohm unbalanced (F-type)

S-Video input: Mini DIN 4-pin jack  
 Video input: RCA connector x 1  
 Audio input: RCA connector x 4  
 Component video input:  
 One pin jack (Y), 1Vpp (75 ohm)  
 Two pin jacks (Pr)(Pb), 700mVpp (75 ohm)  
 Headphone: 1/8" stereo (3.5mm)

Stereo Sound System  
 2 speakers  
 2 ways AV input

## ELECTRICAL SPECIFICATIONS

Sound output: 1W, 8 ohm x 2

## OTHER SPECIFICATIONS

Remote control: Digital encoded infrared light system

Operating temperature: 5°C to 40°C (41°F~104°F)

Power requirements: AC120V, 60Hz

Power consumption (Maximum): 42W  
 LCD: 15"

Dimensions (H x W x D):  
 Photo Stand open 13-7/16" x 15-3/16" x 8-1/8"  
 (363mm x 385mm x 179mm)  
 Photo Stand close 14-5/16" x 15-3/16" x 3-1/8"  
 (369mm x 385mm x 91.5mm)

Weight:  
 With Photo Stand: 7.3 lbs. (3.3kg)  
 Without Photo Stand: 6.8 lbs. (3.1kg)

**•Designs and specifications are subject to change without notice and without our legal obligation.**  
**•If there is a discrepancy between languages, the default language will be English.**



# Symphonic

## Guide d'utilisation

### CSTL1506

TÉLÉVISEUR À CRISTAUX LIQUIDES DE  
15 POUÇES (Type Support Photo)

## CARACTÉRISTIQUES

- **Syntonisateur MTS/SAP**
- **Sélection de 181 canaux-** Tous les canaux VHF/UHF plus 125 canaux de la câblodistribution.
- **Syntonisation à boucle de verrouillage de phase "PLL"-** Offre la sélection simple et en toute liberté des canaux et vous permet d'accorder directement un canal à l'aide des touches numériques de canaux sur la télécommande.
- **Minuterie-sommeil**
- **Décodeur de sous-titres**
- **Fonction de mise hors circuit automatique-** Dans le cas où le téléviseur ne reçoit aucun signal en provenance de la borne d'antenne et qu'il n'y a aucune image sur l'écran pendant 15 minutes, l'appareil s'éteindra automatiquement.
- **CIRCUIT V-** Permet aux parents d'éviter que leurs enfants ne regardent des émissions télévisées qui ne leur sont pas destinées.
- **Télécommande comprenant l'ensemble des fonctions de l'appareil**
- **Affichage des fonctions à l'écran**
- **Entrée S-VIDÉO-** Vous permet d'obtenir une image plus détaillée et nette.
- **Entrée composants-** Vous permet d'obtenir une image beaucoup plus détaillée et nette.

## PRÉCAUTIONS À SUIVRE

- Installez le téléviseur dans une pièce suffisamment aérée.
- Faites en sorte que le téléviseur soit éloigné de toute source directe de chaleur, tels que des appareils de chauffage ou d'une lumière solaire directe.
- Ne déposez pas le téléviseur sur une surface molle, telle que celle d'un tapis ou d'une couverture.
- Laissez un espace suffisant sur le dessus, le dessous et l'arrière de l'appareil de manière à faciliter une circulation d'air adéquate.

Le numéro de série de ce téléviseur est indiqué à l'endos de l'appareil. Aucun autre téléviseur ne possède le même numéro. Inscrivez-le ici, avec les autres informations pertinentes indiquées ci-dessous et conservez ce guide à titre de référence permanente sur la date d'achat et le modèle en cas de vol.

Date d'achat		Numéro de téléphone	
Nom du marchand		Numéro de modèle	
Adresse du marchand		Numéro de série	

SI APRÈS LA LECTURE DE CE MANUEL, VOUS AVEZ BESOIN D'UNE AIDE SUPPLÉMENTAIRE POUR L'INSTALLATION OU LE FONCTIONNEMENT DE CET APPAREIL, VEUILLEZ COMPOSER LE NUMÉRO D'APPEL GRATUIT 1-800-242-7158 OU CONSULTEZ NOTRE SITE INTERNET <http://www.Symphonic.us>

## FUNAI CORPORATION GARANTIE LIMITÉE

FUNAI CORP. réparera ce produit à titre gratuit au Canada en cas de défaut de main-d'oeuvre ou de façon comme suit:

### DURÉE :

### PIÈCES :

### MAIN-D'ŒUVRE :

### LIMITES ET EXCLUSIONS :

### CETTE GARANTIE CONCERNE UNiquement L'ACHETEUR AU DÉTAIL D'ORIGINE. UN REÇU D'ACHAT OU UNE AUTRE PREUVE DE L'ACHAT AU DÉTAIL D'ORIGINE SERA REQUIS AVEC LE PRODUIT POUR OBTENIR UN SERVICE SOUS CETTE GARANTIE.

### Cette garantie ne sera étendue à aucune autre personne ou cessionnaire.

### Cette garantie est nulle et sans effet si un des numéros de série du produit est altéré, remplacé, dégradé, manquant ou si le service a été tenté dans un CENTRE DE SERVICE NON AUTORISÉ. La garantie limitée ne s'applique à aucun produit non acheté et utilisé au CANADA.

### Cette garantie couvre uniquement les défaillances dues aux défauts en matériaux ou main-d'oeuvre survenant pendant l'emploi normal. Elle ne couvre pas les dommages survenant pendant l'expédition, ou les défaillances causées par des réparations, modifications ou produits non fournis par FUNAI CORP. ou les dommages résultant d'un accident, d'un usage incorrect, d'un usage abusif, d'un traitement erroné, d'une application erronée, d'une modification, d'une installation incorrecte, d'une maintenance incorrecte, d'un usage commercial par exemple dans un hôtel, en location ou dans un bureau de ce produit, ou de dommages dus à un incendie, une inondation, la foudre ou d'autres cas de force majeure.

### CETTE GARANTIE NE COUVRE PAS LES MATÉRIAUX D'EMBALLAGE, LES ACCESSOIRES (SAUF LA TÉLÉCOMMANDE), LES PARTIES ESTHÉTIQUES, LES PIÈCES D'ASSEMBLAGE COMPLET, LES MODÈLES DE DÉMONSTRATION OU DE SURFACE.

### FUNAI CORP. ET SES REPRÉSENTANTS OU AGENTS NE SERONT EN AUCUN CAS RESPONSABLES DE TOUT DOMMAGE GÉNÉRAL, INDIRECT OU CONSÉQUENTIEL SURVENANT OU OCCASIONNÉ PAR L'EMPLOI OU L'INCAPACITÉ D'UTILISER CE PRODUIT. CETTE GARANTIE EST FAITE AU LIEU DE TOUTE AUTRE GARANTIE, EXPRESSE OU IMPLIQUÉE ET TOUTES LES AUTRES RESPONSABILITÉS DE LA PART DE FUNAI, TOUTES LES AUTRES GARANTIES INCLUANT LA GARANTIE DE COMMERCIALISABILITÉ ET L'ADAPTATION À UN BUT PARTICULIER, SONT ICI DÉNIÉES PAR FUNAI ET SES REPRÉSENTANTS AU CANADA.

### TOUTES LES INSPECTIONS DE GARANTIE ET RÉPARATIONS DOIVENT ÊTRE EFFECTUÉES PAR UN CENTRE DE SERVICE AUTORISÉ. CETTE GARANTIE EST VALIDE QUAND L'APPAREIL EST APPORTÉ À UN CENTRE DE SERVICE AUTORISÉ.

### CE PRODUIT DOIT ÊTRE ACCOMPAGNÉ D'UNE COPIE DU REÇU D'ACHAT AU DÉTAIL D'ORIGINE. SI AUCUNE PREUVE DE L'ACHAT N'EST JOINTE, LA GARANTIE NE SERA PAS HONORÉE ET LE COÛT DES RÉPARATIONS SERA À PAYER.

### ATTENTION :

### FUNAI CORP. SE RÉSERVE LE DROIT DE MODIFIER TOUTE CONCEPTION DE CE PRODUIT SANS PRÉAVIS.

### DÉCLARATION DE GARANTIE CONCERNANT LES RÉPARATIONS NON AGRÉÉES :

### Afin de bénéficier des services de garantie, vous devez emmener le produit ou l'envoyer en payant les frais de port au préalable, à n'importe quel centre de SERVICE APRÈS-VENTE AGRÉÉ, soit dans son emballage d'origine soit dans un emballage offrant une protection similaire. FUNAI CORP. ne vous remboursera pas pour les opérations effectuées par des prestataires de service non agréés, sans autorisation écrite préalable.

### Veillez nous contacter pour trouver l'INSTALLATION DE SERVICE AUTORISÉE la plus proche de chez vous ou pour un réparateur général.

### FUNAI CORPORATION

Service à la Clientèle

Tel: 1-800-242-7158

<http://www.Symphonic.us>

19900 Van Ness Avenue, Torrance, CA 90501

L2502CC

## MESURES DE SÉCURITÉ IMPORTANTES

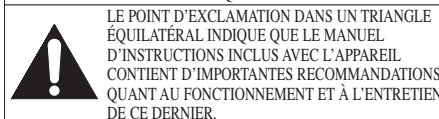
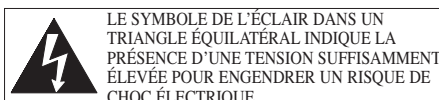
### AVERTISSEMENT :

POUR PRÉVENIR TOUT RISQUE D'INCENDIE OU DE CHOC ÉLECTRIQUE, NE PAS EXPOSER CET APPAREIL À LA PLUIE OU À L'HUMIDITÉ.



**MISE EN GARDE :** AFIN DE RÉDUIRE LES RISQUES DE CHOC ÉLECTRIQUES, N'ENLEVEZ PAS LE COUVERCLE (OU L'ARRIÈRE). NE CONTIENT AUCUNE PIÈCE POUVANT ÊTRE RÉPARÉE PAR L'UTILISATEUR. CONFIEZ TOUTE RÉPARATION À UN TECHNICIEN QUALIFIÉ.

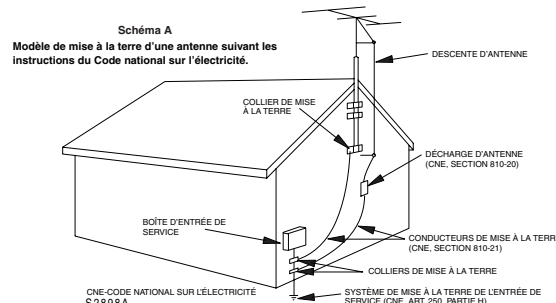
Avertissements importants apposés à l'arrière de l'appareil.



1. **LISEZ CE GUIDE** – Avant la mise en marche de cet appareil, veuillez lire l'ensemble des instructions concernant la sécurité et le fonctionnement.
2. **CONSERVEZ CE GUIDE** – Pour pouvoir le consulter ultérieurement, les instructions concernant la sécurité et le fonctionnement de l'appareil devront être conservées.
3. **RESPECTER LES MISES EN GARDE** – On devra prendre en considération et les suivre toutes les observations au sujet de l'appareil et de son fonctionnement.
4. **OBSERVEZ LES DIRECTIVES** – Vous êtes prié de suivre toutes les directives concernant le fonctionnement et l'entretien de l'appareil.
5. **NETTOYAGE** – Tout d'abord, débranchez l'appareil de la prise murale. N'utilisez pas de produits à nettoyer liquides ou en aérosols. Utilisez un chiffon doux et légèrement humecté d'eau.  
**EXCEPTION :** Un produit prévu pour un service prolongé et, qui pour une raison spécifique, comme la possibilité de la perte d'un code d'autorisation pour un convertisseur de câblodistribution, n'est pas prévu pour être débranché par l'utilisateur pour le nettoyage ou une autre raison, peut exclure la référence au débranchement de l'appareil dans la description du nettoyage, sinon requise de l'article 5.
6. **ACCESSOIRES** – N'utilisez que les accessoires recommandés par le fabricant. Tout autre accessoire risquerait de provoquer un fonctionnement défectueux ou même dangereux.
7. **EAU ET HUMIDITÉ** – N'utilisez pas cet appareil à proximité de l'eau (près d'une baignoire, d'un lavabo, d'un évier, d'une piscine, cuve de lessive, dans un sous-sol humide, etc.).
8. **SUPPORT** – N'installez pas cet appareil sur un meuble, un comptoir, un trépied, un support ou une table instable. L'appareil risquerait de tomber et de blesser gravement quelqu'un et, en outre, il serait sérieusement endommagé.
9. **VENTILATION** – Les orifices et ouvertures servent à procurer une ventilation et un fonctionnement adéquat de l'appareil de manière à ce qu'il ne soit pas surchauffé. Ces orifices et ouvertures ne doivent pas être obstrués ou recouverts. N'installez jamais l'appareil sur un lit, un canapé, un tapis ou toute autre surface similaire, ni à proximité d'un radiateur ou d'un thermostat. Cet appareil ne doit pas être placé à l'intérieur d'un meuble, telle une étagère ou une bibliothèque, à moins qu'il n'y ait une aération suffisante.
10. **SOURCE D'ALIMENTATION** – Cet appareil ne devra être branché que sur le type de source d'alimentation indiqué sur l'étiquette prévue à cet effet. Si vous n'êtes pas certain du type de source d'alimentation dont vous disposez, contactez votre revendeur ou votre compagnie d'électricité. Pour les appareils fonctionnant avec des piles, consultez les directives de fonctionnement.
11. **MISE À LA TERRE OU POLARISATION** – Cet appareil possède une fiche polarisée pour prise C.A. (fiche dont une broche est plus large que l'autre). Cet appareil possède une fiche polarisée pour prise de C.A. (une des lames est plus large que l'autre). Cette fiche ne s'insère dans la prise de courant que dans un sens par mesure de sécurité. Si l'insertion de la fiche dans un sens donné est difficile, inversez sa position. Si c'est encore difficile, demandez à un électricien qualifié de remplacer la prise. Cette fiche étant sécuritaire, n'essayez pas de la modifier.
12. **PROTECTION DES FILS ÉLECTRIQUES** – Les fils d'alimentation devront être disposés de manière à ce qu'ils ne soient pas écrasés ou tordus par les objets les entourant. Faites particulièrement attention aux fiches, aux raccords et aux endroits où les fils sortent de l'appareil.
13. **MISE À LA TERRE D'UNE ANTENNE EXTERIEURE** – Si une antenne extérieure ou un système de câblo-distribution est raccordé à l'appareil, veillez à ce que ces derniers soient reliés à la terre afin de protéger l'appareil contre des surcharges de tension ou une accumulation d'électricité statique. (Schéma A)

14. **FOUDRE** – Par mesure de protection supplémentaire, lors d'orages ou d'une inutilisation prolongée, débranchez l'appareil de la prise murale ainsi que l'antenne (ou le système de câblodistribution). Cette mesure permettra d'éviter que l'appareil ne soit endommagé lors d'un orage ou d'une surcharge de tension.
15. **FILS ÉLECTRIQUES** – Si vous choisissez d'installer une antenne extérieure, prenez garde à ce qu'elle ne se trouve pas à proximité de câbles électriques sur lesquels elle risquerait de tomber.  
L'installation d'une telle antenne doit être effectuée très prudemment afin que l'antenne ou les fils (ou circuits) électriques n'entrent pas en contact et n'entraînent une électrocution pouvant être mortelle.
16. **SURCHARGE ÉLECTRIQUE** – Ne surchargez pas les prises murales ou les fils de prolongement. Cela pourrait entraîner un risque d'incendie ou de commotion électrique.
17. **OBJETS ET LIQUIDES** – N'essayez jamais d'insérer un objet à l'intérieur de l'appareil par l'intermédiaire des orifices, car vous pourriez toucher des pièces sous tension ou provoquer un court-circuit entraînant un début d'incendie ou une commotion électrique. Faites en sorte de ne renverser aucun liquide sur l'appareil.
18. **RÉPARATIONS** – N'essayez pas de réparer vous-même l'appareil. Si vous ouvrez l'appareil ou retirez le boîtier, vous vous exposerez à une tension élevée ainsi qu'à d'autres dangers. Pour n'importe quelle réparation ou vérification, faites appel à un technicien qualifié.
19. **DOMMAGE NÉCESSITANT UNE RÉPARATION** – Débranchez l'appareil de la prise murale et confiez l'entretien/dépannage à un personnel qualifié dans les cas suivants :

- a. Lorsque le fil d'alimentation ou sa fiche est endommagé.
  - b. Lorsqu'un liquide ou un objet a pénétré dans l'appareil.
  - c. Lorsque l'appareil a été exposé à la pluie ou à de l'eau.
  - d. Si l'appareil ne fonctionne pas normalement bien que l'on ait suivi les instructions. Ne réglez que les ajustements décrits dans ce manuel d'instructions. Un réglage erroné des autres commandes risque d'endommager l'appareil et de nécessiter un long travail de la part d'un technicien qualifié pour remettre l'appareil en état de fonctionnement.
  - e. Lorsqu'on a laissé tomber l'appareil et que le boîtier est endommagé.
  - f. Lorsque le fonctionnement de l'appareil diffère de la période initiale, il sera nécessaire alors de le faire réparer.
20. **PIÈCES DE RECHANGE** – Lorsque des pièces de rechange sont nécessaires, assurez-vous que le technicien utilise les pièces recommandées par le fabricant ou qu'elles présentent les mêmes caractéristiques que les pièces d'origine. L'utilisation de pièces différentes risque de provoquer un incendie, une commotion électrique ou d'autres dommages.
  21. **INSPECTION POUR LA SÉCURITÉ** – À l'achèvement de la réparation ou de l'entretien, demandez au technicien de procéder à une inspection afin de s'assurer que l'appareil est en état de fonctionner.
  22. **CHALEUR** – L'installation de ce téléviseur doit être éloignée de sources de chaleur telles que celles d'un appareil de chauffage, d'une bouche d'air chaud, d'un four ou de tout autre appareil (y compris des amplificateurs) dégageant de la chaleur.



**ATTENTION FCC - Cet appareil peut générer ou utiliser la puissance des fréquences radio. Tout changement ou modification de cet appareil peut entraîner des interférences importantes si ces modifications ne sont pas expressément autorisées dans le manuel d'instructions. L'utilisateur peut perdre l'autorisation d'utiliser cet appareil s'il y apporte des changements ou modifications non autorisés.**

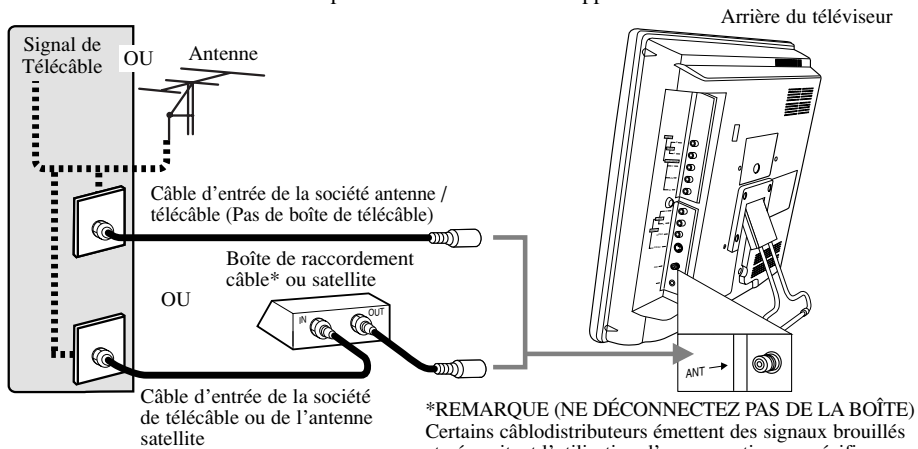
### NOTE POUR L'INSTALLATEUR DU SYSTÈME DE CÂBLODISTRIBUTION :

Ce rappel est pour attirer l'attention de l'installateur du système de TV par câble sur l'Article 820-40 du Code National Electrique qui fournit les directives pour une mise à la terre correcte, plus particulièrement la précision que le câble de mise à la terre doit être connecté au système de mise à la terre du bâtiment, aussi près que possible du point d'entrée du câble.

# PRÉPARATIFS

## RACCORDEMENTS

Branchez le câble d'entrée dans la prise ANT à l'arrière de l'appareil.



Câbles sont non fournis

**\*REMARQUE (NE DÉCONNECTEZ PAS DE LA BOÎTE)**  
Certains câblodistributeurs émettent des signaux brouillés et nécessitent l'utilisation d'un convertisseur spécifique pour la réception des canaux du câble. Consultez votre câblodistributeur à ce sujet.

Vous pouvez installer ce produit comme téléviseur en montage mural en utilisant le bras adapté pour 100 mm (disponible dans le commerce).

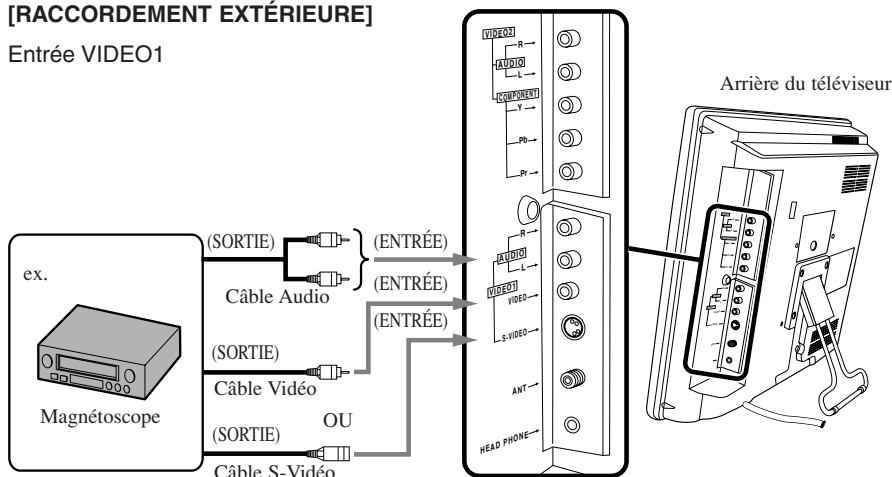
**ATTENTION : POUR ÉVITER LES CHOC ÉLECTRIQUES, INTRODUIRE LA LAME LA PLUS LARGE DE LA FICHE DANS LA BORNE CORRESPONDANTE DE LA PRISE ET POUSSER JUSQU'AU FOND.**

Remarque :

- Pour votre sécurité et pour éviter d'endommager l'appareil, débranchez le câble d'antenne de la prise ANT avant de déplacer l'appareil.

## [RACCORDEMENT EXTÉRIEURE]

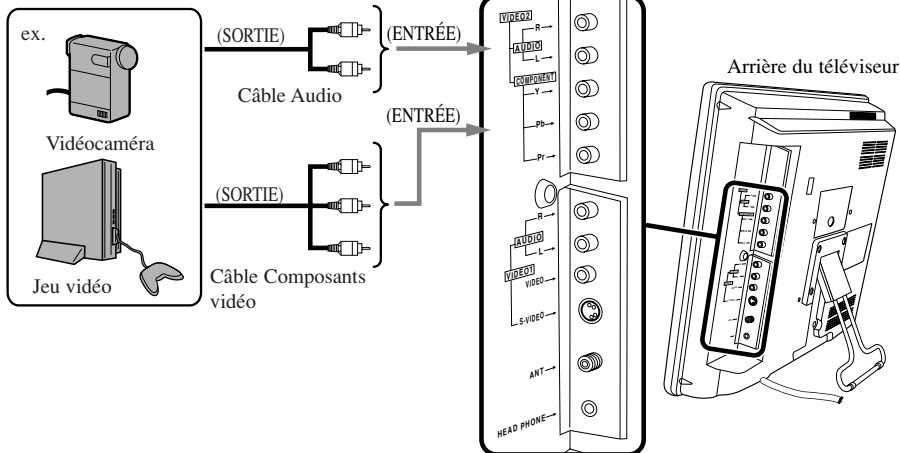
Entrée VIDEO1



Remarques :

- La prise d'entrée AUDIO L est pour une entrée monophonique. Le son est entendu à partir des deux haut-parleurs. Utilisez cette prise pour un équipement monophonique devant être connecté.
- La prise S-VIDEO a priorité sur la prise VIDEO du panneau arrière.

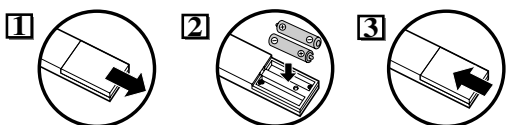
Entrée VIDEO2



Remarques :

- Ce téléviseur prend en charge les signaux vidéo 480p / 480i / 1080i simplifié.
- Le signal vidéo 1080 simplifié diffère du signal vidéo 1080i original en ceci qu'il s'affiche après sa conversion en signal 480p.

## INSTALLATION DES PILES



Installez deux piles AAA (fournies), en respectant les polarités indiquées dans le logement piles de la télécommande.

## [PRÉCAUTIONS CONCERNANT LES PILES]

- Observez les polarités indiquées dans le logement piles. Des piles inversées peuvent endommager le dispositif.
- Ne mélangez pas différents types de piles (par ex. Alcalines et Carbone-Zinc) ou des piles ancienne et neuve.
- Si le dispositif doit rester inutilisé pendant longtemps, retirez les piles pour éviter tout dommage ou blessure possible suite à la fuite des piles.
- N'essayez pas de recharger des piles non prévues pour la recharge; la surchauffe et la rupture sont possibles.

## CONFIGURATION INITIALE

La première fois que vous mettez l'appareil sous tension, le menu "SELECT LANGUAGE" s'affiche. Le menu "CONFIGURATION INITIALE" s'affiche chaque fois que vous mettez l'appareil sous tension sauf si le balayage est terminé.

**1** Sélectionnez la langue désirée en suivant les indications à l'écran. Ensuite, le téléviseur exécute "CH. AUTO PRÉRÉG." pour balayer les canaux disponibles pour la diffusion dans votre région.

**2** S'il y a de la neige sur l'écran du téléviseur et si vous n'effectuez aucune commande pendant plus de 10 secondes, "CONSEILS UTILES" apparaît. Suivez les instructions à l'écran.

SELECT LANGUAGE

ENGLISH NEXT-PRESS CH+  
ESPAÑOL DESPUÉS-PRESIONE CH+  
FRANÇAIS APRÈS-PRESSEZ VOL+

--- CONFIGURATION INITIALE ---

CONNECTER L'ANTENNE OU LE CÂBLE DU SATELLITE À L'APPAREIL. PUIS APPUYEZ SUR CH+ A POUR EXÉCUTER "CH. AUTO PRÉRÉG."

CONSEILS UTILES

1. VÉRIFIER QUE L'ANTENNE CÂBLÉE / SATELLITE EST CORRECTEMENT RACCORDEE.

2. VÉRIFIER QUE "CH. AUTO PRÉRÉG." EST RÉGLÉ CORRECTEMENT.

3. CORRECTER LA COUVERTURE DU SUIVE D'UTILISATION OU LE PANNEAU ARRIÈRE POUR LE NUMÉRO D'AIDE CLIENTÈLE EN LIGNE.

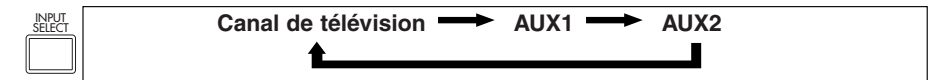
Une fois le balayage terminé, ou si vous appuyez sur le bouton [MENU] pendant la balayage pour l'annuler, le syntonisateur s'arrête sur le canal mémorisé le plus bas.

Remarques :

- Si aucun canal ne peut être capté par le balayage des canaux, "PAS DE SIGNAL TV" s'affiche sur l'écran. Mettez l'appareil hors tension et vérifiez la connexion d'antenne, puis effectuez à nouveau l'étape 1.
- Si ces réglages ne fonctionnent pas correctement, veuillez appeler le numéro apparaissant sur la couverture du manuel.

## SÉLECTION DE L'ENTRÉE AUDIO/VIDÉO

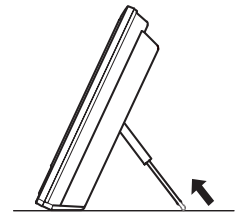
À l'emploi des prises d'entrée AUDIO/VIDÉO, sélectionnez le mode "AUX1" ou "AUX2" en appuyant sur [INPUT SELECT] sur la télécommande, ou [SELECT] sur l'appareil. Le mode d'entrée change en appuyant sur les touches comme suit :



## SUPPORT PHOTO

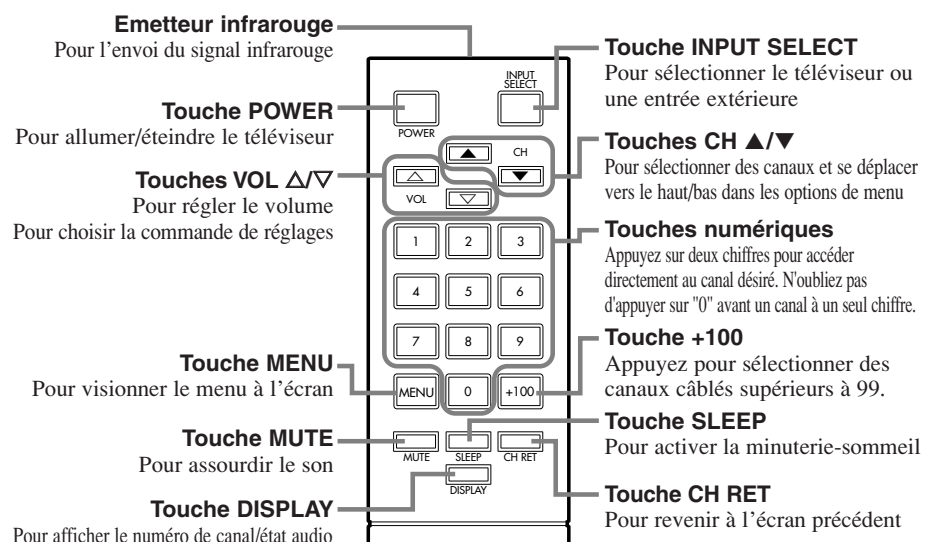
Support photo

Ajustez le longueur du support en 5 niveaux pour changer l'angle du téléviseur.



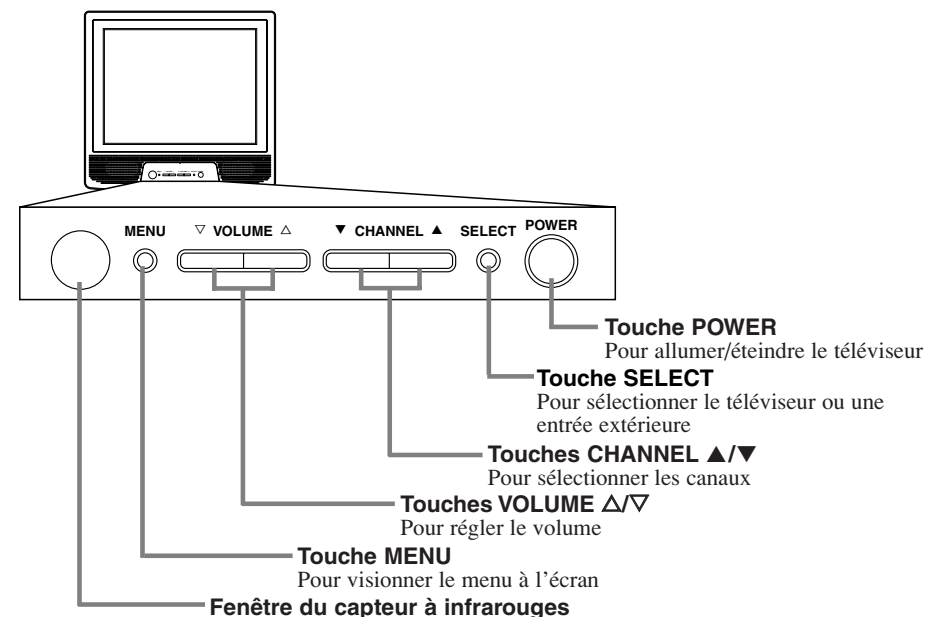
# OPÉRATIONS

## FONCTION DE LA TÉLÉCOMMANDE ET DU PANNEAU AVANT



Remarque :

- Vous pouvez tester si la télécommande envoie le signal infrarouge avec une radio AM. (Voir "PROBLÈMES DE FONCTIONNEMENT".)



Remarque :

- Si plusieurs chiffres apparaissent dans le coin de l'écran à la première mise sous tension de l'appareil, appuyez sur [POWER] sans débrancher le cordon d'alimentation.



# FONCTIONNEMENT (Suite)

## RÉGLAGE DES CANAUX

### [PRÉRÉGLAGE AUTOMATIQUE DES CANAUX]

Le préréglage des canaux est nécessaire au début ou si vous déplacez le téléviseur dans une autre région. Cette fonction balaye et mémorise automatiquement tous les canaux disponibles dans votre région et vous permet de les sélectionner facilement avec [CH ▲/▼].

**1** Sélectionnez "RÉGLAGE DES CANAUX"

**2** Sélectionnez "CH. AUTO PRÉRÉG."

Le syntoniseur balaye et mémorise tous les canaux disponibles dans votre région.

**3** Le balayage terminé, le canal le plus bas en mémoire apparaît à l'écran.

- Remarques :**
- Le téléviseur fait la distinction entre canaux de télévision standard et canaux de câblotélévision (CATV).
  - Le téléviseur peut reconnaître des canaux de télévision en tant que canaux CATV si les conditions de réception sont mauvaises. Dans ce cas, contrôlez les raccordements de l'antenne et essayez à nouveau les étapes 2 et 3 quand les conditions de réception sont meilleures.
  - S'il n'y a pas d'entrée de signal de télévision, "PAS DE SIGNAL TV" apparaîtra à l'écran après le balayage des canaux.

### [AJOUT/SUPPRESSION DE CANAUX]

Vous pouvez ajouter des canaux qui n'ont pas été mémorisés par CH. AUTO PRÉRÉG. en raison de mauvaises conditions de réception, ainsi qu'effacer les canaux que vous ne captez plus ou ne regardez que rarement.

**1** Sélectionnez "RÉGLAGE DES CANAUX"

**2** Sélectionnez "AJOUT/SUPP. CH."

**3** Sélectionnez le canal souhaité

**4** Ajoutez ou supprimez le canal

Ajout: bleu clair  
Suppression: rouge clair

**5** Pour quitter le menu

## RÉGLAGE DE LA MINUTERIE-SOMMEIL

**1** Sélectionnez "SOMMEIL"

La durée augmente par 10 minutes jusqu'à 90.

- Remarques :**
- Quand vous déconnectez l'appareil de la prise CA ou en cas de panne de courant, la durée de la minuterie-sommeil sera perdue.
  - Pour annuler la minuterie-sommeil, appuyez plusieurs fois sur [SLEEP] jusqu'à l'affichage de "SOMMEIL 0 MINUTE".
  - L'affichage du réglage de la minuterie-sommeil disparaîtra automatiquement après 10 secondes de fonctionnement.
  - Vous pouvez aussi régler la minuterie-sommeil en appuyant plusieurs fois sur [SLEEP].

## SON DE TÉLÉVISION MULTIVOIE (MTS)

**1** Sélectionnez "SON TV"

**2** Sélectionnez le mode son souhaité

**3** Pour quitter le menu

Sélection de menu / Type de diffusion	MAIN	MONO	SAP*
Normale	-Aucn-	-Aucn-	-Aucn-
Diffusion stéréo	STÉRÉO	MONO	STÉRÉO
SAP	MAIN	MAIN	SAP

**\*Second Programme Audio (SAP) :**  
Votre programme peut aussi être reçu dans une seconde langue ou parfois d'une station de radiodiffusion.

- Remarque :**
- Si vous sélectionnez [SAP] quand une seconde langue n'est pas disponible, le téléviseur recevra le son normal.

## AJUSTEMENT DES ASPECTS DE L'IMAGE

**1** Sélectionnez "IMAGE"

**2** Sélectionnez l'article à régler

**3** Ajustez le réglage

- LUMINOSITÉ**  
Ajustez la luminosité jusqu'à ce que les parties les plus claires de l'image soient aussi brillantes que vous le désirez.  
[-] : diminue la luminosité  
[+] : augmente la luminosité
- CONTRASTE**  
Augmentez ou diminuez les contrastes.  
[-] : diminue le contraste  
[+] : augmente le contraste
- COULEUR**  
Réglez aux couleurs vives ou pâles.  
[-] : couleurs plus pâles  
[+] : couleurs plus vives
- TEINTE**  
Ajustez la teinte pour obtenir la couleur de la peau naturelle.  
[-] : ajout de rouge [ ] : ajout de vert  
[+] : ajout de vert
- NETTETÉ**  
Réglez pour détailler l'image.  
[-] : adoucit [ ] : rend plus net  
[+] : rend plus net

**Remarque :**

- L'affichage disparaîtra automatiquement au bout de 10 secondes à moins que vous appuyiez sur une touche.

## RÉGLAGE DE RÉTRO-ECLA

**1** Sélectionnez "RÉTROÉCLAIRAGE"

**2** Sélectionnez le mode de luminosité désiré

**3** Pour quitter le menu

## AFFICHAGE DE SOUS-TITRES

Vous pouvez visionner des émissions télévisées, films, informations, vidéocassettes pré-enregistrés, etc. qui sont spécialement étiquetés de "cc" et ajoutés des sous-titres du dialogue ou de texte.

**1** Sélectionnez "S-TITRES"

**2** Sélectionnez le mode de sous-titres souhaité

**3** Pour quitter le menu

- [MODE DE SOUS-TITRES (S-TIT1, S-TIT2)]**
- S-TIT1 affiche des sous-titres standard (ce qui dit un personnage).
  - S-TIT2 affiche des sous-titres en langue étrangère (mots de langue étrangère indiquant ce qui dit le personnage).
  - Il y a trois modes d'affichage selon les programmes:  
**Mode d'affichage instantané :** Les caractères entrés sont immédiatement affichés.  
**Mode d'affichage séquentiel :** Une fois mémorisés, les caractères sont tous affichés à la fois.  
**Mode d'affichage continu :** Les caractères sont affichés en continu par défilement (4 lignes max).

- Remarques :**
- Si aucun sous-titrage n'est diffusé, vous ne pouvez pas le recevoir et rien n'est affiché.
  - Lorsque votre téléviseur reçoit une commande de lecture spécifique (telle la recherche visuelle, le ralenti, l'arrêt sur image) provenant d'un magnétoscope auquel il est raccordé par le canal commun de transmission 3 ou 4 (CH 3 / CH 4), il se peut que l'affichage des sous-titres (ou du texte) soit altéré ou n'apparaisse plus à l'écran.
  - Il est normal que les sous-titres et les textes ne soient pas précisément synchronisés avec la transmission sonore et visuelle de l'émission.
  - De l'interférence magnétique causée par un appareil à proximité peut entraîner un mauvais fonctionnement de l'affichage des sous-titres.
  - Ce téléviseur ne peut afficher les sous-titres et les textes lorsque la fonction d'affichage à l'écran du menu des fonctions et commandes est utilisée.
  - Si une boîte noire apparaît à l'écran, cela signifie que le téléviseur est réglé au mode TEXTE. Pour effacer l'écran, sélectionnez [S-TIT1], [S-TIT2] ou [HF].

**[MODE TEXTE (TEXT1, TEXT2)]**

- TEXT1 et TEXT2 affichent un demi-écran de texte par défilement (comme guide de canaux, programme ou annonce).

## RÉGLAGES OPTIONNELS

### SÉLECTION DE LA LANGUE D'AFFICHAGE

**1** Sélectionnez "LANGAGE"

**2** Sélectionnez la langue souhaitée

**3** Pour quitter le menu

# RÉGLAGES OPTIONNELS (Suite)

## RÉGLAGE CIRCUIT V

Ceci permet aux parents d'éviter que leurs enfants regardent des matériaux inappropriés à la télévision.

- La limitation n'est pas disponible pour les informations, programmes sportifs, films non-édités sur canaux du câble optionnels et signaux du Système de Diffusion d'Urgence.
- Quand vous essayez d'accéder à un programme barré, le message "ÉMISSION PROTÉGÉE par ..." apparaît à l'écran.
- La programmation peut être classée par l'Association des Films des États-Unis (MPAA) ou selon les Règles Directrices Parentales sur la Télévision. Pour barrer toute programmation inappropriée, réglez vos limitations à la fois en COTE MPAA et COTE TV.

**1** Sélectionnez "RÉGLAGE CIRCUIT V"

**2** Entrez le code de 4 chiffres

Si vous n'avez pas encore réglé votre code d'accès personnel, entrez 0000 (code d'accès par défaut).

**3** Sélectionnez une fonction à configurer

## A [RÉGLAGE COTE TV]

**4** Sélectionnez une cote

**5-1** \* Cote sans sous-catégories  
Réglez à [BARRÉ] ou [VISION]

**5-2** \* Cote avec sous-catégories

**B** [RÉGLAGE COTE MPAA]

**4** Sélectionnez une cote

**5** Réglez à [BARRÉ] ou [VISION] plusieurs fois

**5-1** \* Cote sans sous-catégories  
Réglez à [BARRÉ] ou [VISION]

**5-2** \* Cote avec sous-catégories

Réglez à [BARRÉ] ou [VISION]

**6** Pour quitter le menu

**4** Sélectionnez une cote

**5** Réglez à [BARRÉ] ou [VISION] plusieurs fois

**5-1** \* Cote sans sous-catégories  
Réglez à [BARRÉ] ou [VISION]

**5-2** \* Cote avec sous-catégories

**6** Pour quitter le menu

**Remarques (pour la COTE TV et la COTE MPAA) :**

- Vous ne pouvez pas accéder au menu de configuration quand le message "ÉMISSION PROTÉGÉE par ..." apparaît. Passez à un canal non barré avant d'appuyer sur [MENU].
- Quand vous sélectionnez une cote et la réglez à [BARRÉ], les cotes supérieures seront automatiquement barrées. Les cotes inférieures pourront être visionnées.
- Quand vous réglez la cote la plus basse à [VISION], toutes les autres cotes sont automatiquement visionnables.

**C** [CHANGEMENT DE CODE D'ACCÈS]

**4** Entrez le code de 4 chiffres

**5** Pour quitter le menu

**Remarques :**

- Vérifiez que vous entrez exactement le même nouveau code dans l'espace "CONFIRMER CODE" seulement dans l'espace "NOUVEAU CODE". S'ils sont différents, l'espace "NOUVEAU CODE" est supprimé pour réentrée.
- Votre code d'accès personnel sera effacé et reviendra au code par défaut (0000) en cas de panne de courant ou si vous mettez hors tension à l'aide d'un interrupteur mural. Si vous avez oublié le code, débranchez le cordon d'alimentation 10 secondes pour remettre le code d'accès à 0000.

# PROBLÈMES DE FONCTIONNEMENT

Parfois, lorsque l'appareil ne fonctionne pas correctement, la cause du problème peut être facilement identifiée en vérifiant simplement un détail qui a été négligé à prime abord. Avant de contacter le centre de service autorisé le plus près de chez vous, nous vous suggérons d'effectuer les vérifications suivantes. Cela pourrait vous faire économiser temps et argent.

LISTE DE VÉRIFICATIONS À EFFECTUER AVANT DE CONTACTER UN RÉPARATEUR	PROBLÈME	La télécommande ne fonctionne pas	Il y a des barres dans l'image	L'image est déformée	L'image défile verticalement	Il n'y a pas de couleur	Mauvaise réception de certains canaux	L'image est mauvaise	Il y a des lignes parasites dans l'image	L'image se dédouble	L'image est floue	Le son est bon mais l'image est mauvaise	L'image est bonne mais le son est mauvais	Pas de son ni d'image	Différentes couleurs sur l'écran	Point noir ou lumineux sur l'écran
<b>MESURE CORRECTIVE</b>																
Essayez un autre canal, s'il est bien capté, il se peut que l'autre station éprouve des ennuis.																
Le téléviseur est-il branché ?																
La prise est-elle montée ?																
Le téléviseur est-il sous tension ?																
L'antenne ou le câble est-il raccordé à la prise à l'arrière de l'appareil ?																
Si une antenne extérieure est utilisée, vérifiez s'il n'y a pas de fil rompu ou de raccordement desserré.																
Vérifiez s'il n'y pas d'interférence près de chez vous.																
Éteignez le téléviseur et rallumez-le après environ une minute.																
Ajustez le COULEUR.																
Ajustez le CONTRASTE et la LUMINOSITÉ.																
Vérifier les piles de la télécommande.																
Éloignez le téléviseur de l'appareil à proximité qui produit un champ magnétique. Éteignez avec [POWER], puis rallumez 30 minutes plus tard environ.																
La température environnante est basse.																
L'autonomie du rétro-éclairage est d'environ 50.000 heures. Demandez le remplacement au Centre de service.																
C'est la qualité du panneau LCD.																
Vérifiez s'il n'y a pas d'obstacle entre le capteur et la télécommande.																
Testez la sortie du signal.* Si correct, il peut y avoir un problème de capteur de télécommande.																

\*Épreuve additionnelle de la télécommande  
Accordez une radio AM sur une bande sans diffusion. Pressez une touche sur la télécommande vers la radio. Un son flottera à la pression d'une touche quelconque et la radio recevra le signal. Cela signifiera que la télécommande fonctionne.

Problèmes de sous-titres	Solution possible
Des sous-titres avec erreurs d'orthographe apparaissent.	Des erreurs d'orthographe peuvent passer non corrigées par la société de sous-titrage dans le cas d'une émission en direct.
Le texte n'est pas entièrement affiché ou il y a du retard par rapport à ce qui est dit.	Les sous-titres décalés de quelques secondes sur le dialogue réel sont communs dans les émissions en direct. La plupart des sociétés de sous-titrage peuvent afficher un dialogue de 220 mots par minute. Si un dialogue dépasse cette cote, le montage sélectif est utilisé pour assurer que les sous-titres restent à jour avec le dialogue à l'écran.
Les sous-titres sont brouillés et il y a des carrés blancs à l'écran.	Des interférences causées par des bâtiments, lignes électriques, orages etc. peuvent provoquer l'apparition de sous-titres brouillés ou incomplets.
Pas de sous-titres affichés dans l'émission qui doit en contenir.	Les diffuseurs peuvent utiliser un système de compression du temps pour le programme réel afin d'obtenir plus de temps pour la publicité. Dans ce cas, les sous-titres seront perdus parce que le décodeur ne peut pas lire les informations compressées.
Pas de sous-titres affichés à la lecture d'une vidéocassette préenregistrée avec sous-titres.	La vidéocassette est peut-être une copie illégale ou l'entreprise de duplication a par accident omis d'inclure les signaux de sous-titres pendant le processus de duplication.
Une boîte noire apparaît à l'écran du téléviseur.	Vous êtes en mode TEXTE. Sélectionnez [S-TIT1], [S-TIT2] ou [HF].

Le panneau LCD est fabriqué pour assurer de nombreuses années de vie utile. Parfois, quelques pixels non-actifs peuvent apparaître comme un point fixe de bleus, vert ou rouge. Cela ne doit pas être considéré comme un défaut de l'écran LCD.

# ENTRETIEN DE L'APPAREIL

## NETTOYAGE DU BOÎTIER DU TÉLÉVISEUR

- Essuyez le devant du téléviseur et ses autres surfaces externes à l'aide d'un chiffon doux que vous aurez préalablement trempé dans de l'eau tiède et toré.
- N'utilisez jamais de solvant ni d'alcool pour nettoyer l'appareil. Ne vaporisez pas d'insecticide à proximité du téléviseur. Ces produits chimiques pourraient endommager l'appareil et décolorer les surfaces atteintes.

## NETTOYAGE DE L'ÉCRAN

Essayez l'écran en verre du téléviseur à l'aide d'un chiffon doux. Débranchez toujours le cordon d'alimentation de l'appareil avant de le nettoyer.

# ACCESSOIRES FOURNIS

- Guide d'utilisation (1EMN21890)
- Télécommande (NE900UD)
- Deux (2) piles ("AAA" x 2)

# FICHE TECHNIQUE

## RENSEIGNEMENTS GÉNÉRAUX

Système télévision:	NTSC-M standard télévision
Décodeur de sous-titres:	\$15.119/FCC
Distribution des canaux:	bande VHF: 2 à 13 bande UHF: 14 à 69 câblodistribution: 2 à 13, A ~ W, W + 1 ~ W + 84, A-5 ~ A-1, 5A
Système de syntonisation:	181 canaux avec syntonisation de fréquences à synthétiseur
Accès aux canaux:	Clavier à accès direct, avec balayage ascendant/descendant programmable
Bornes	
Entrée d'antenne:	VHF/UHF/CATV 75 ohms non équilibrés (Type F)
Entrée S-Vidéo:	Mini-jack DIN à 4 ergots
Entrée vidéo:	Connecteur RCA x 1
Entrée audio:	Connecteur RCA x 4
Entrée de composant vidéo :	Prise à une broche (Y)/1Vpp (75 ohms) Prise à deux broches (Pr)/(Pb), 700m Vpp (75 ohms)
Casque d'écoute:	Stéréophonique de 1/8 po. (3,5 mm)
Système de son stéréophonique	2 haut-parleurs
Entrée AV 2 voies	

## SPÉCIFICATIONS-ÉLECTRICITÉ

Puissance de sortie du son:  
1W, 8 ohm x 2

## AUTRES SPÉCIFICATIONS

Télécommande:	Rayon infrarouges avec code numérique
Température de fonctionnement:	5°C à 40°C (41°F à 104°F)
Source d'alimentation:	Courant alternatif 120 volts, 60 hertz
Consommation (maximale):	42 watts
Tube écran:	15 pouces
Dimensions (H x L x P):	Support photo ouvert 13-7/16 po. x 15-3/16 po. x 8-1/8 po. (363mm x 385mm x 179mm) Support photo fermé 14-5/16 po. x 15-3/16 po. x 3-1/8 po. (369mm x 385mm x 91,5mm)
Poids:	Avec Support photo: 7,3 lbs. (3,3kg) Sans Support photo: 6,8 lbs. (3,1kg)

- La conception et les caractéristiques spécifiques de cet appareil sont sujettes à modification sans préavis ni obligations légales.
- S'il y a une différence entre les langues, l'anglais prévaudra comme langue par défaut.



## Free Manuals Download Website

<http://myh66.com>

<http://usermanuals.us>

<http://www.somanuals.com>

<http://www.4manuals.cc>

<http://www.manual-lib.com>

<http://www.404manual.com>

<http://www.luxmanual.com>

<http://aubethermostatmanual.com>

Golf course search by state

<http://golfingnear.com>

Email search by domain

<http://emailbydomain.com>

Auto manuals search

<http://auto.somanuals.com>

TV manuals search

<http://tv.somanuals.com>