



DH100ACDCP Air Duct Smoke Detector



Before Installing

Please thoroughly read the System Sensor *Guide for Proper Use of Smoke Detectors in Duct Applications* (A05-1004), which provides detailed information on detector spacing, placement, zoning, wiring, and special applications. Copies of this manual are available from System Sensor. NFPA Standards 72 and 90A should also be referenced for detailed information.

NOTICE: This manual shall be left with the owner/user of this equipment.

IMPORTANT: This detector must be tested and maintained regularly following NFPA 72 requirements. The detector should be cleaned at least once a year.

Table of Contents

Page

[1] General Description	1
[2] Limitations of Duct Smoke Detectors	1
[3] Exploded View of Duct Smoke Detector Components	2
[4] Contents of the Duct Smoke Detector Kit	2
[5] Installation Sequence	2
[6] Duct Smoke Detector Maintenance and Test Procedures	5
[7] Detector Cleaning Procedures	7
[8] Board Replacement	8
[9] Specifications	8
Warranty	8

[1] General Description

An HVAC system supplies conditioned air to virtually every area of a building. Smoke introduced into this air duct system will be distributed to the entire building. Smoke detectors designed for use in air duct systems are used to sense the presence of smoke in the duct.

Model DH100ACDCP Air Duct Smoke Detector utilizes photoelectric technology for the detection of smoke. This detection method, when combined with an efficient housing design, samples air passing through the duct and allows detection of a developing hazardous condition. When sufficient smoke is sensed, an alarm signal is initiated at the fire control panel monitoring the detector, and appropriate action can be taken to shut off fans, blowers, change over air handling systems, etc. These actions can facilitate the management of toxic smoke and fire gases throughout the areas served by the duct system.

The DH100ACDCP detector is designed to operate on 24 VDC/VAC, 120 VAC, or 240 VAC. Alarm and supervisory relay contacts are available for control panel interface (alarm initiation), HVAC control, and other auxiliary functions. Auxiliary relays are also provided for fan shut down

or signaling of up to 9 other detectors in the loop for multiple fan shut down. These detectors are not designed for 2-wire applications.

For testing, the alarm can be enabled by a magnet activated test switch or by the optional remote test station. The duct smoke detector latches into alarm state when an alarm occurs. A green LED flashes to indicate power, a red LED signals local alarm indication, and optional accessories offer a variety of annunciation capabilities.

The DH100ACDCP can be reset by a momentary power interruption, the reset button on the front cover, the control panel, or remote reset accessory. **The DH100ACDCP incorporates a cover tamper feature that provides a trouble signal after 7 minutes if the cover is removed or improperly installed.** Proper installation of the cover removes the trouble condition.

[2] Limitations Of Duct Smoke Detectors



The National Fire Protection Association has established that DUCT DETECTORS MUST NOT BE USED AS A SUBSTITUTE FOR OPEN AREA DETECTOR PROTECTION as a means of providing life safety. Nor are they a substitute for early warning in a building's regular fire detection system.

System Sensor supports this position and strongly recommends that the user read NFPA Standards 90A, 72, and 101. The DH100ACDCP Air Duct Smoke Detectors are listed per UL 268A.



This device will not operate without electrical power. Fire situations may cause an interruption of power. The system safeguards should be discussed with your local fire protection specialist.

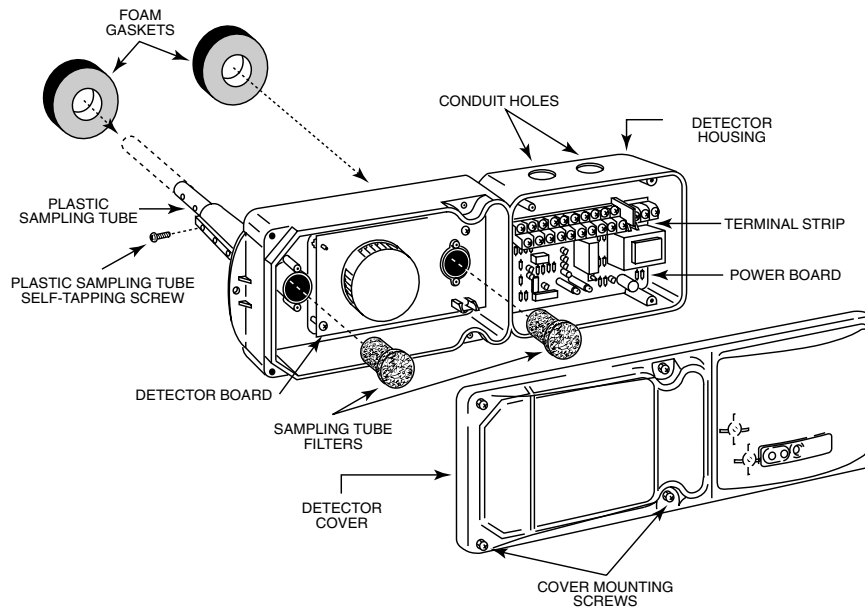


This device will not sense smoke unless the ventilation system is operating and the cover is installed.



For this detector to function properly, it **MUST** be installed according to the instructions in this manual. Furthermore, the detector **MUST** be protected from the elements and operated within ALL electrical and environmental specifications listed in this manual. Failure to comply with these requirements may prevent the detector from activating when smoke is present in the air duct.

[3] Figure 1. Exploded View Of Duct Smoke Detector Components:



[4] Contents Of The Duct Smoke Detector Kit

1. Complete housing base and cover assembly
2. Two #10×1¼" sheet metal screws for mounting
3. Two sampling tube filters
4. One test magnet
5. Drilling template
6. Two foam gaskets
7. Four #6-self tapping mounting screws for the metal sampling tube and optional exhaust tube extension
8. One inlet tube end plug
9. One plastic sampling tube
10. One #8 self-tapping screw for the plastic sampling tube

NOTE: For ducts over 1½ feet, longer inlet sampling tubes must be ordered to complete the installation. They must be the correct length for the width of the duct where they will be installed. See Table 1 on page 3 to determine the inlet tube required for different duct widths.

[5] Installation Sequence

[5.1] Verify Duct Air Flow Direction And Velocity

Model DH100ACDCP detectors are designed to be used in air handling systems having air velocities of 500 to 4000 feet per minute. Be sure to check engineering specifications to ensure that the air velocity in the duct falls within these parameters. If necessary, use a velocity meter to check the air velocity in the duct.

[5.2] Drill The Mounting Holes

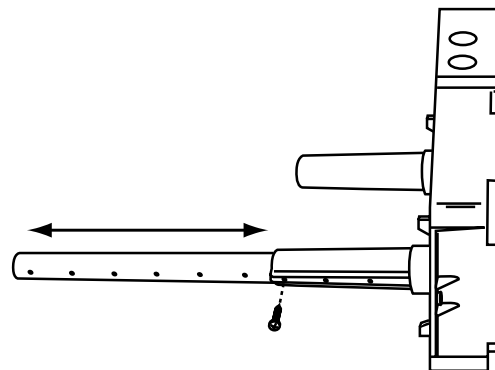
Remove the paper backing from the mounting template supplied. Affix the template to the duct at the desired mounting location. Make sure the template lies flat and smooth on the duct. Center punch holes A and B. Drill the holes as indicated on the template.

[5.2.1] Sampling Tube Installation for Ducts Less Than 1½ Feet Wide (see Figure 2)

1. Remove the front cover.
2. Slide the plastic sampling tube into the housing bushing.
3. Align the holes in the bushing with the holes in the sampling tube. Make sure there are 6 exposed holes on the plastic sampling tube. Secure with the #8 self-tapping screw into the bottom of the permanent tube (shown in Fig. 1).

NOTE: For ducts greater than 1½ feet in width, refer to sections [5.4.1] and [5.4.2].

Figure 2. Plastic sampling tube connected to duct smoke detector:

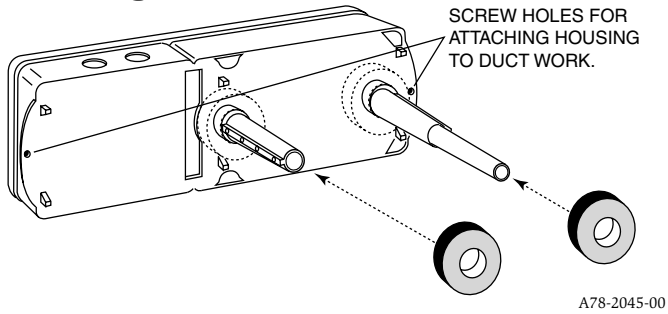


[5.3] Secure The Detector Housing To The Duct

Slide the foam gaskets over the tube bushings as shown in Figure 3. Use the two 1¼" long sheet metal screws to screw the detector housing to the duct.

CAUTION: Do not overtighten the screws.

Figure 3. Installation of foam gaskets over sampling tube bushings:



[5.4] Sampling Tube Installation for Ducts Greater Than 1½ Feet Wide

The sampling tube is identified by a series of air inlet holes on the tube. A plastic tube is included for ducts up to 18" in width. All other lengths must be purchased separately. Order the correct length, as specified in Table 1, for width of the duct where it will be installed. The exhaust tube is molded onto the base of the duct housing, and the A2440-00 Exhaust Tube Extension is available as an accessory in those cases where the molded exhaust port does not extend at least 2 inches into the duct.

The inlet tube is always installed with the air inlet holes facing into the air flow. To assist proper installation, the tube's mounting flange is marked with arrows. Make sure the inlet tube is mounted so that the arrows point into the air flow (see Figure 4). Figure 5 shows the various combinations of tube mounting configurations with respect to air flow. Mounting the detector housing in a vertical orientation is acceptable, provided that the air flows directly into the sampling tube holes as indicated in Figure 4.

Table 1. Inlet tubes required for different duct widths:

Outside Duct Width	Inlet Tube Required
1 to 2 ft.	ST-1.5
2 to 4 ft.	ST-3
4 to 8 ft.	ST-5
8 to 12 ft.	ST-10

[5.4.1] Installation For Ducts Greater Than 1½ Feet But Less Than 8 Feet Wide

1. If the tube is longer than the width of the air duct, drill a ¾" hole in the duct opposite the hole already cut for the inlet tube. Make sure the hole is 1" to 2" below the inlet hole on the opposite side of the duct to allow moisture drainage away from the detector. If the tube is shorter than the width of the air duct, install the end plug into the inlet tube as shown in Figure 4. Sampling tubes over 3 ft. long must be supported at the end opposite the duct smoke detector.
2. Slide the tube into the housing bushing that meets the air flow first. Position the tube so that the arrows point into the air flow.

3. Secure the tube flange to the housing bushing with two #6 self-tapping screws.
4. For tubes longer than the width of the air duct, the tube should extend out of the opposite side of the duct. If there are more than 2 holes in the section of the tube extending out of the duct, select a different length using Table 1. Otherwise, trim the end of the tube protruding through the duct so that 1" to 2" of the tube extend outside the duct. Plug this end with the end plug and tape closed any holes in the protruding section of the tube. Be sure to seal the duct where the tube protrudes.

Figure 4. Air duct detector inlet sampling tube:

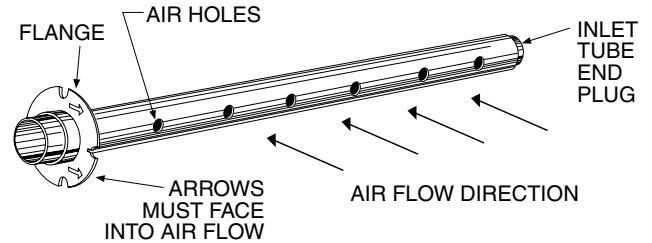
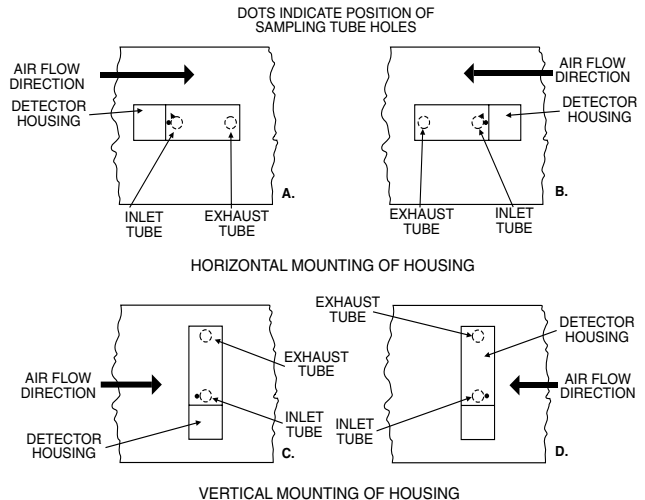


Figure 5. Tube mounting configurations with varying air flow direction:



NOTE: Only metal sampling tubes may be used on orientations C and D.



In no case should more than 2 air inlet holes be cut off the tube. There must be a minimum of 10 holes in the tube exposed to the air stream.

[5.4.2] Installation For Ducts More Than 8 Feet Wide

NOTE: To install inlet tubes in ducts more than 8 feet wide, work must be performed inside the air duct. Sampling of air in ducts wider than 8 feet is accomplished by using the ST-10 inlet sampling tube. If the tube is shorter than the width of the air duct, install the end plug into the inlet tube as shown in Figure 4 and support the end opposite the duct smoke detector.

Install the inlet tube as follows:

1. Drill a $\frac{3}{4}$ -inch hole in the duct directly opposite the hole already drilled for the inlet tube. Make sure the hole is 1 to 2" below the inlet hole on the opposite side of the duct to allow for moisture drainage.
2. Slide the inlet tube with the flange into the housing bushing that meets the air flow first. Position the tube so that the arrows point into the air flow. Secure the tube flange to the housing bushing with two #6 self-tapping screws.
3. From inside the duct, couple the other sections of the inlet tube to the section already installed using the $\frac{1}{2}$ -inch conduit fittings supplied. Make sure that the holes on both of the air inlet tubes are lined up and facing into the air flow.
4. Trim the end of the tube protruding through the duct so that 1 to 2" of the tube extend outside the duct. Plug this end with the end plug and tape closed any holes in the protruding section of the tube. Be sure to seal the duct when the tube protrudes.

NOTE: An alternate method to using the ST-10 is to use two ST-5 inlet tubes. Remove the flange from one of the tubes and install as described above. After the installation, use electrical tape to close off some of the sampling holes so that there are a total of 10 to 12 holes spaced as evenly as possible across the width of the duct.

NOTE: Air currents inside the duct may cause excessive vibration, especially when the longer sampling tubes are used. In these cases a 3 inch floor flange (available at most plumbing supply stores) may be used to fasten the sampling tube to the other side of the duct. When using the flange/connector mounting technique, drill a 1-inch to $1\frac{1}{4}$ -inch hole where the flange will be used.

[5.4.3] Modifications of Inlet Sampling Tubes

There may be applications where duct widths are not what is specified for the installation. In such cases, it is permissible to modify an inlet sampling tube that is longer than necessary to span the duct width.

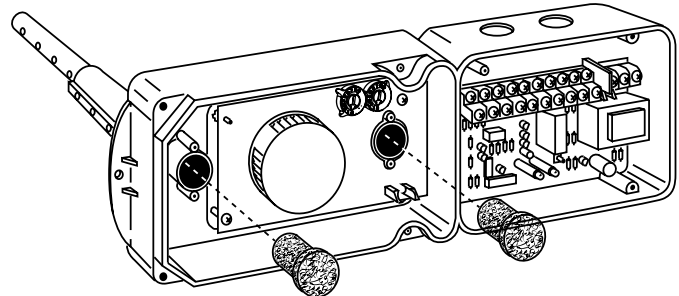
Use a 0.193-inch diameter (#11) drill and add the appropriate number of holes so that the total number of holes exposed to the air flow in the duct is 10 to 12. Space the additional holes as evenly as possible over the length of the tube.

NOTE: This procedure should only be used as a temporary fix. It is not intended as a permanent substitute for ordering the correct length tubes.

[5.5] Install The Filters

To install the sampling tube filters, simply push the filters into the sampling and exhaust tube holes, as shown in Figure 6. If a metal sampling tube is used, install the filters over the tube ends.

Figure 6. Sampling tube filter installation:



A78-2106-01

CAUTION

Filters require periodic cleaning or replacement, depending on the amount of dust and dirt accumulated. Visually inspect the filters at least quarterly; inspect them more often if the dust accumulation warrants it. See Section [6] for more information. Replacement filters can be ordered from System Sensor, 3825 Ohio Ave., St. Charles, IL 60174. (Exhaust tube/intake tube filter P/N F36-09-00)

[5.6] Field Wiring Installation Guidelines

All wiring must be installed in compliance with the National Electrical Code and the local codes having jurisdiction. Proper wire gauges should be used. The conductors used to connect smoke detectors to control panels and accessory devices should be color-coded to prevent wiring mistakes. Improper connections can prevent a system from responding properly in the event of a fire.

For signal wiring, (the wiring between interconnected detectors or from detectors to auxiliary devices), it is usually recommended that single conductor wire be no smaller than 18 gauge. The duct smoke detector terminals accommodate wire sizes up to 12 gauge. The last foot of conduit should be flexible conduit (available in electrical supply houses), which facilitates easier installation and puts less strain on the conduit holes in the housing. Solid conduit connections may be used if desired.

Smoke detectors and alarm system control panels have specifications for allowable loop resistance. Consult the control panel manufacturer's specifications for the total loop resistance allowed for the particular model control panel being used before wiring the detector loop.

Wiring Instructions

The DH100ACDCP detectors are designed for easy wiring. The housing provides a terminal strip with clamping plates.

Wiring connections are made by stripping about $\frac{3}{8}$ -inch of insulation from the end of the wire, sliding the bare end under the plate, and tightening the clamping plate screw.

[5.7] Perform Detector Check

1. Perform STANDBY AND TROUBLE TEST per Section [6.2.1].
2. Perform MAGNET TEST per Section [6.2.2.1]. The RTS451 test of Section [6.2.2.2] may substitute for this requirement.
3. Perform AIR FLOW TEST per Section [6.1.1].
4. Perform SMOKE RESPONSE TEST per Section [6.1.2].
5. Perform SENSITIVITY TEST per Section [6.2.3].

[5.8] Install The Cover

Install the cover using the four screws that are captured in the housing cover. Be certain filters are installed as specified in Section [5.5]. Make sure that the cover fits into the base groove and that all gaskets are in their proper positions. Tighten the four screws.

[6] Duct Smoke Detector Maintenance And Test Procedures

Test and maintain duct smoke detectors as recommended in NFPA 72. The tests contained in this manual were devised to assist maintenance personnel in verification of proper detector operation.

Before conducting these tests, notify the proper authorities that the smoke detection system will be temporarily out of service. Disable the zone or system under test to prevent unwanted alarms.

[6.1] Smoke Entry Tests

[6.1.1] Air Flow

To verify sufficient sampling of ducted air, use a manometer to measure the differential pressure created from air flow across the sampling tubes. The pressure should measure no less than 0.03 inches of water and no greater than 1.4 inches of water. The air handler must be operating for this test.

[6.1.2] Smoke Response

To determine if smoke is capable of entering the sensing chamber, visually identify any obstructions. Plug the exhaust and inlet tube holes to prevent ducted air from carrying smoke away from the detector head, then blow smoke such as cigarette, cotton wick, or punk directly at the head to cause an alarm. REMEMBER TO REMOVE THE PLUGS AFTER THIS TEST, OR THE DETECTOR WILL NOT FUNCTION PROPERLY.

[6.1.3] Filter Replacement

The filters do not substantially affect smoke performance even when up to 90% of the filter is clogged. Quarterly visual inspection usually suffices to determine whether the filters should be replaced because only a high percentage of contamination affects performance. If further testing is required, compare differential pressure readings with and without the filters installed. If the difference exceeds 10% replace the filters. In no case should the pressure differential fall below 0.03 inches of water.

[6.2] Standby, Alarm, And Sensitivity Tests

[6.2.1] Standby And Trouble

Standby — Look for the presence of the flashing green LED through the transparent housing cover. The LED should flash approximately every 10 seconds.

Trouble — If the detector LED does not flash, then the detector lacks power (check wiring, panel, or power supply), the detector board is missing (replace), the cover has been missing or not secured properly for more than 7 minutes (secure cover properly), or the unit is defective (return for repair).

Test — The trouble condition can be caused intentionally to verify correct operation of the system. Remove the detector board to cause a trouble condition locally and at the system control panel.

Cover

Tamper — If the cover is removed or not properly secured for a period longer than 7 minutes, a trouble signal is generated to indicate the cover is missing.

[6.2.2] Alarm Tests

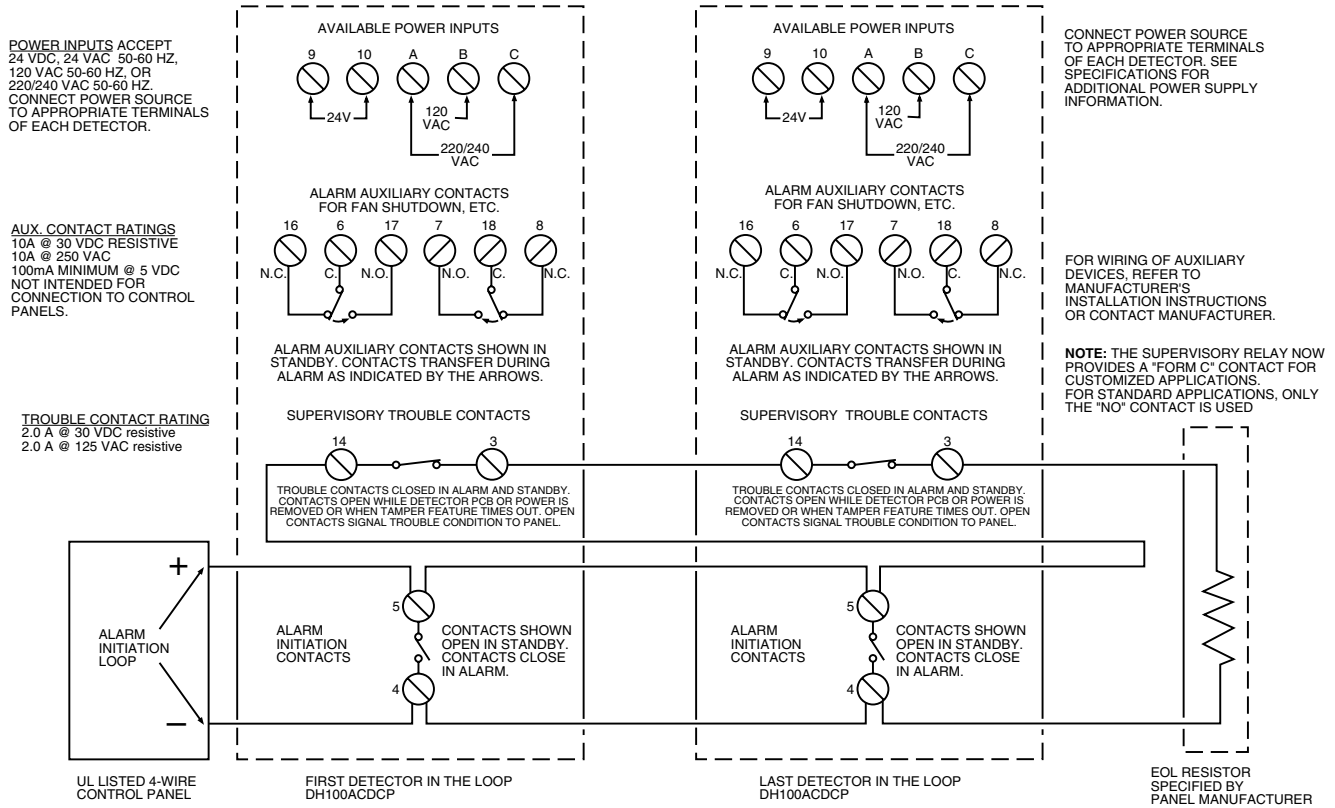
[6.2.2.1] M02-04-00 Magnet Test

1. Place the painted surface of the magnet onto the TEST locator on the bottom of the housing (Figure 13).
2. The red alarm LED on the detector should latch on, as should any accessories (i.e. RA400Z, RTS451). Verify system control panel alarm status and control panel execution of all intended auxiliary functions (i.e. fan shutdown, damper control, etc.).
3. The detector must be reset by system control panel, front cover reset button, or remote accessory.

Figure 7. System wiring diagram for 4-wire duct smoke detectors:

CAUTION

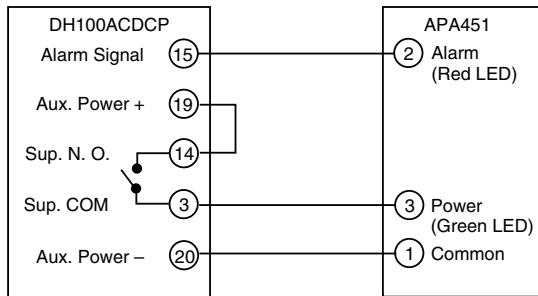
Do not loop wire under terminals when wiring detectors. Break wire runs to provide system supervision of connections.



A78-2352-27

Figure 8. Wiring diagram for DH100ACDCP to APA451: Figure 9. Wiring diagram for DH100ACDCP to RTS451KEY and interconnect feature:

4-Wire Wiring to APA451



Wiring diagram for DH100ACDCP to RTS451KEY and interconnect feature:

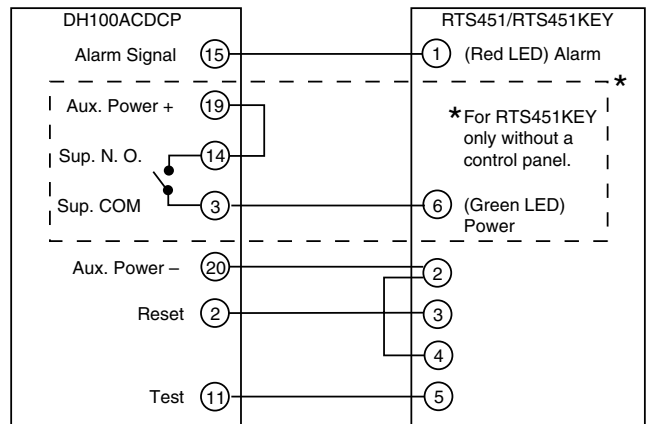
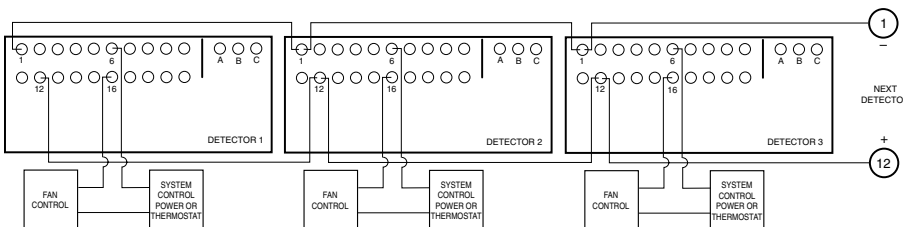


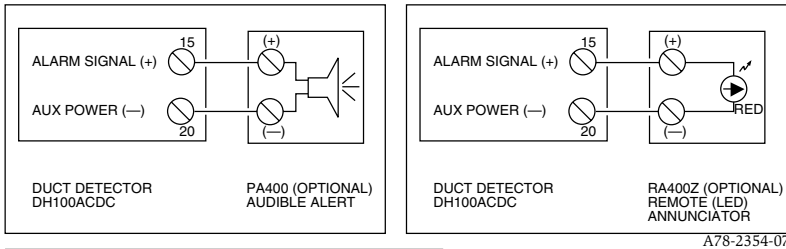
Figure 10. Multiple fan shutdown (interconnect):



Important Interconnect Notes

- When using the interconnect feature, all interconnected units must be powered with the same, independent supply.
- Polarity must be maintained throughout the interconnect wiring. Connect terminal 12 on unit 1 to terminal 1 on unit 2 and so on. Similarly, connect terminal 1 on unit 1 to terminal 1 on unit 2 and so on.

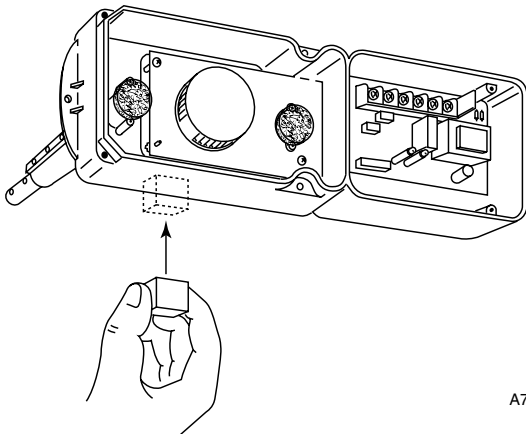
Figure 11. Wiring diagrams for optional accessories:



ACCESSORY CURRENT LOADS AT 24 VDC			
DEVICE	STANDBY	TROUBLE	ALARM
APA451	12.5mA Max.	n/a	30mA Max.
PA400	0mA	n/a	15mA Max.
RA400Z	0mA	n/a	10mA Max.
RTS451/RTS451KEY	12mA*	n/a	7.5mA Max.
SSK451	5mA Max.	9mA Max.	30mA Max.

*NOTE: When a unit is powered at the 120VAC or 220/240VAC input, any combination of accessories may be used such that the given accessory loads are: 60 mA or less in the standby state; 110 mA or less in the alarm state.

Figure 13. Testing detector alarm:



A78-2325-00

[6.2.2.2] RTS451/RTS451KEY Remote Test Station

The RTS451/RTS451KEY Remote Test Station facilitates test of the alarm capability of the duct smoke detector as indicated in the RTS451/RTS451KEY manual. The DH100ACDCP duct smoke detector can be reset by the RTS451/RTS451KEY. If a system control panel is used, the panel itself may also require testing.

To install the RTS451/RTS451KEY, connect the device as shown in Figure 9; wire runs must be limited to 25 ohms or less per interconnecting wire.

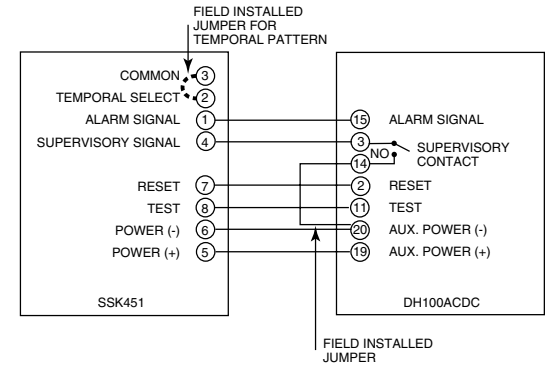
Please note that the magnetic coil supplied with the RTS451 and RTS451KEY is not required when these accessories are used with the DH100ACDCP detectors. The functionality of the magnetic coil has been designed into the circuitry of the new Innovair™ duct smoke detectors.

[6.2.2.3] SSK451 Multi-Signaling Accessory

The System Sensor SSK451 Multi-Signaling accessory combines a sounder feature with a key activated test and reset function. green, amber and red LEDs provide a visual indication of power, trouble, and alarm respectively. An optional strobe (PS24LO) with a smoke lens can be added to conform to the codes of certain jurisdictions.

To install the SSK451, connect the device as shown in figure 12.

Figure 12. Wiring diagram for DH100ACDCP to SSK451:



[6.2.3] Sensitivity Tests

[6.2.3.1] MOD400 or MOD400R Test

After verification of alarm capability, use the MOD400R test module with a voltmeter to check detector sensitivity as indicated in the test module's manual. The housing cover must be removed to perform this test.

If test module readings indicate that the detector head is outside of the acceptable range that is printed on the label of the detector, the detector chamber requires cleaning per Section [7] of this manual.

[7] Detector Cleaning Procedures

Notify the proper authorities that the smoke detector system is undergoing maintenance, and that the system will temporarily be out of service. Disable the zone or system undergoing maintenance to prevent unwanted alarms and possible dispatch of the fire department.

[7.1] Air Filters

1. Turn off power to the system.
2. Remove and inspect sampling tube filters.
3. If filters are heavily coated with dirt, replace them with new filters. If they are not heavily coated, use a vacuum cleaner or compressed air nozzle to remove dust, then reinstall the filters.

[7.2] Photo Detector Boards

1. Remove the screen by gently grasping on each side and pulling straight off.
2. Lift the photo chamber in the same fashion. Vacuum the screen and cover. Use clean, compressed air to loosen and blow out any remaining debris. Replacement screens (S08-39-01) are available.
3. Vacuum photo chamber, then use clean compressed air to blow area clean.
4. Replace the chamber by pressing it onto the base. Press the screen into place. It should fit tightly on the chamber.

[7.3] Ion Detector Boards

1. Brush or vacuum inside area of cover. Chamber may then be blown out using clean, compressed air.
2. Vacuum sensing chamber before using clean, compressed air to loosen and blow out any remaining debris.

[8.0] Board Replacement

[8.1] Detector Board Replacement (Part No. A5190)

1. Remove the two detector board mounting screws.
2. Pull gently on the board to remove it.
3. To replace the board, align the board mounting features, holes, and the interconnect terminals. Push the

board into place.

4. Secure board with the two mounting screws.

[8.2] Power Board replacement (Part No. A5064)

1. Disconnect wiring from the terminal block.
2. Remove the two power board mounting screws.
3. Pull gently on the board to remove it.
4. To replace the board, align the board mounting features, holes, and the interconnect terminals. Push the board into place.
5. Secure board with the two mounting screws.
6. Re-connect wiring to terminal block.

[9] Model DH100ACDCP Air Duct Smoke Detector Specifications

Temperature:

DH100ACDCP 32° to 131° F 0° to 55° C

Storage Temperature: -22° to 150° F -30° to 70° C

Humidity: 10% to 93% R.H. noncondensing

Air Velocity: 500 to 4000 ft./min. 2.5 to 20.3 m/sec.

Dimensions: 14.38" L x 5.5" W x 2.75" D 37cm L x 14cm W x 7cm D

Weight: 3.75 pounds 1.7 kg

Electrical Specifications

Power supply voltage:	20-29 VDC	24 VAC 50-60-Hz	120 VAC 50-60 Hz	220/240 VAC 50-60 Hz
Input capacitance:	270 µF max.	270 µF max.	N/A	N/A
Reset voltage:	3.0 VDC min.	2.0 VAC min.	10 VAC min.	20 VAC min.
Reset time (with RTS451):	.03 to 0.3 sec.	.03 to 0.3 sec.	.03 to 0.3 sec.	.03 to 0.3 sec.
Reset time (by power down):	0.6 sec. max.	0.6 sec. max.	0.6 sec. max.	0.6 sec. max.
Power up time:	34 sec. max.	34 sec. max.	34 sec. max.	34 sec. max.
Alarm response time:	2 to 17 sec.	2 to 17 sec.	2 to 17 sec.	2 to 17 sec.
Sensitivity Test:	See detector label	See detector label	See detector label	See detector label

Power Supply Voltage	20 - 29 VDC	24 VAC 50 - 60 Hz	120 VAC 50 - 60 Hz	220/240 VAC 50 - 60 Hz
----------------------	-------------	-------------------	--------------------	------------------------

CURRENT REQUIREMENTS (USING NO ACCESSORIES)

Max. standby current	15 mA	35 mA RMS	25 mA RMS*	15 mA RMS*
Max. alarm current	70 mA	125 mA RMS	35 mA RMS*	25 mA RMS*

CONTACT RATINGS

Alarm initiation contacts (SPST)	2.0A @ 30 VDC (resistive)
Alarm auxiliary contacts (DPDT)	10A @ 30 VDC 10A @ 250 VAC
Note: Alarm auxiliary contacts must switch 100 mA minimum at 5VDC. Alarm auxiliary contacts shall not be connected to initiating circuits of control panels. Use the alarm initiation contact for this purpose.	
Trouble contacts (SPDT)	2.0A @ 30 VDC (resistive) 2.0A @ 125 VAC (resistive)

ACCESSORY CURRENT LOADS AT 24 VDC			
DEVICE	STANDBY	TROUBLE	ALARM
APA451	12.5mA Max.	n/a	30mA Max.
PA400	0mA	n/a	15mA Max.
RA400Z	0mA	n/a	10mA Max.
RTS451	0mA	n/a	7.5mA Max.
RTS451KEY	12mA*	n/a	7.5mA Max.
SSK451	5mA Max.	9mA Max.	30mA Max.

* NOTE: When a unit is powered at the 120VAC or 220/240VAC input, any combination of accessories may be used such that the given accessory loads are: 60 mA or less in the standby state, 110 mA or less in the alarm state.

Please refer to insert for the Limitations of Fire Alarm Systems

Three-Year Limited Warranty

System Sensor warrants its enclosed air duct smoke detector to be free from defects in materials and workmanship under normal use and service for a period of three years from date of manufacture. System Sensor makes no other express warranty for this air duct smoke detector. No agent, representative, dealer, or employee of the Company has the authority to increase or alter the obligations or limitations of this Warranty. The Company's obligation of this Warranty shall be limited to the repair or replacement of any part of the air duct smoke detector which is found to be defective in materials or workmanship under normal use and service during the three year period commencing with the date of manufacture. After phoning System Sensor's toll free number 800-SENSOR2 (736-7672) for a Return Authorization number, send defective units postage prepaid to: System Sensor, Returns Department, RA # _____, 3825 Ohio

Avenue, St. Charles, IL 60174. Please include a note describing the malfunction and suspected cause of failure. The Company shall not be obligated to repair or replace units which are found to be defective because of damage, unreasonable use, modifications, or alterations occurring after the date of manufacture. In no case shall the Company be liable for any consequential or incidental damages for breach of this or any other Warranty, expressed or implied whatsoever, even if the loss or damage is caused by the Company's negligence or fault. Some states do not allow the exclusion or limitation of incidental or consequential damages, so the above limitation or exclusion may not apply to you. This Warranty gives you specific legal rights, and you may also have other rights which vary from state to state.

Free Manuals Download Website

<http://myh66.com>

<http://usermanuals.us>

<http://www.somanuals.com>

<http://www.4manuals.cc>

<http://www.manual-lib.com>

<http://www.404manual.com>

<http://www.luxmanual.com>

<http://aubethermostatmanual.com>

Golf course search by state

<http://golfingnear.com>

Email search by domain

<http://emailbydomain.com>

Auto manuals search

<http://auto.somanuals.com>

TV manuals search

<http://tv.somanuals.com>