

TANDBERG

Installation of X-Port 10 with Director

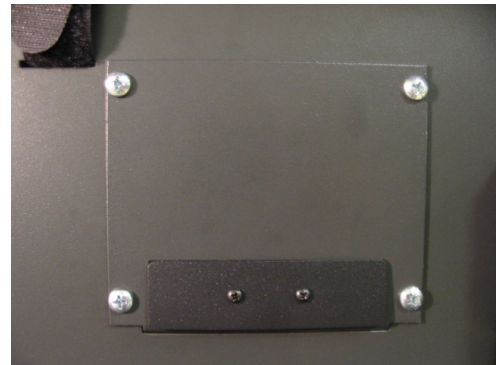
This document explains how to connect the X-Port 10 to the Director system. This feature allows easy connections for an external portable computer and automatic switching between the internal and external computer with the Director system.

Supplied Components:

- 1 Connector Box
- 1 RS232 Blanking Plate
- 1 Pair of export 10 Mounting Bracket (Left and Right)
- 2 T201-0036 Cables, 1 T201-0072 Cable, 1 T237-0072 Cable, 2 T112-0036 Cables, 1 T323-0036 Cable, 1 T325-0072 Cable, 1 T324-0036 Cable, 1 T308-0036 Cable, 1 HD15D-Sub to BNC cable
- 1 TANDBERG Director label
- 4 #10-32 G-style panel nut retainer and 4 #10-32 x 3/4" Black rack screw with washer
- 10 Black adhesive cable tie mounting base 14 cable ties 4" long
- 2 #4-40 x 3/16" screws
- 1 instruction sheet

RS232 Blanking Plate Installation:

- Install the blanking plate over the *Computer 2 Serial* connector located on the rear of the Smart 3000i projector unit using the 2 supplied #4-40 x 1/8" screws.



Connector Box Installation:

- Install the connector box on the rear of the Smart 3000i as shown.
- Use the existing screws on the 3000i projector to fasten the connector box.
- Route the cables through the opening and connect them as per labels. (See System Connections)



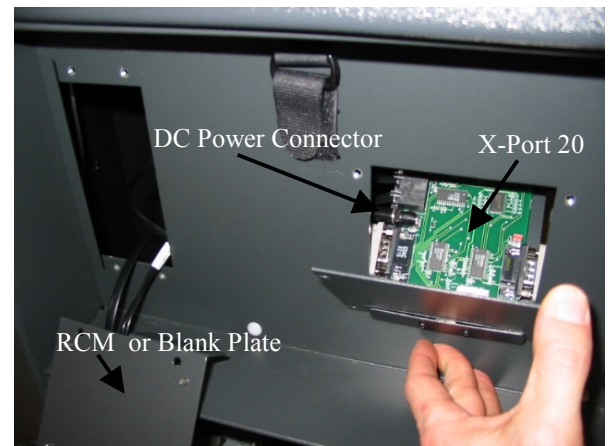
X-Port 10 Installation:

- Remove the existing brackets from the X-Port 10 unit and replace them with the supplied left and right brackets. Use the same screws for mounting the new brackets.
- Insert the four 10-32 panel nut retainers on the rear left rack mount rail of the 3000i projector. Insert 1 panel nut retainer at the lowest hole, skip 1 hole insert another, skip 6 holes insert another, skip 1 hole insert another.
- Install the X-Port 10 unit to the exterior of the rack within the 3000i projector. Use the supplied 10-32 x 3/4" screws to fasten the X-Port 10.



DC Power Connection to X-Port 10:

- Locate the DC power cable supplied with the X-port 10.
- Remove the Room Control Module (RCM) or the blank plate and the X-Port 20 panel.
- Connect one end of the DC power cable to the X-Port 20 through the Room Control Module (RCM) hole.
- Bring the cable down from the side and connect the other end of the DC power cable to the X-Port 10 connector labeled as Power Supply.
- Fasten the cable using the supplied tie wraps to prevent disconnection.

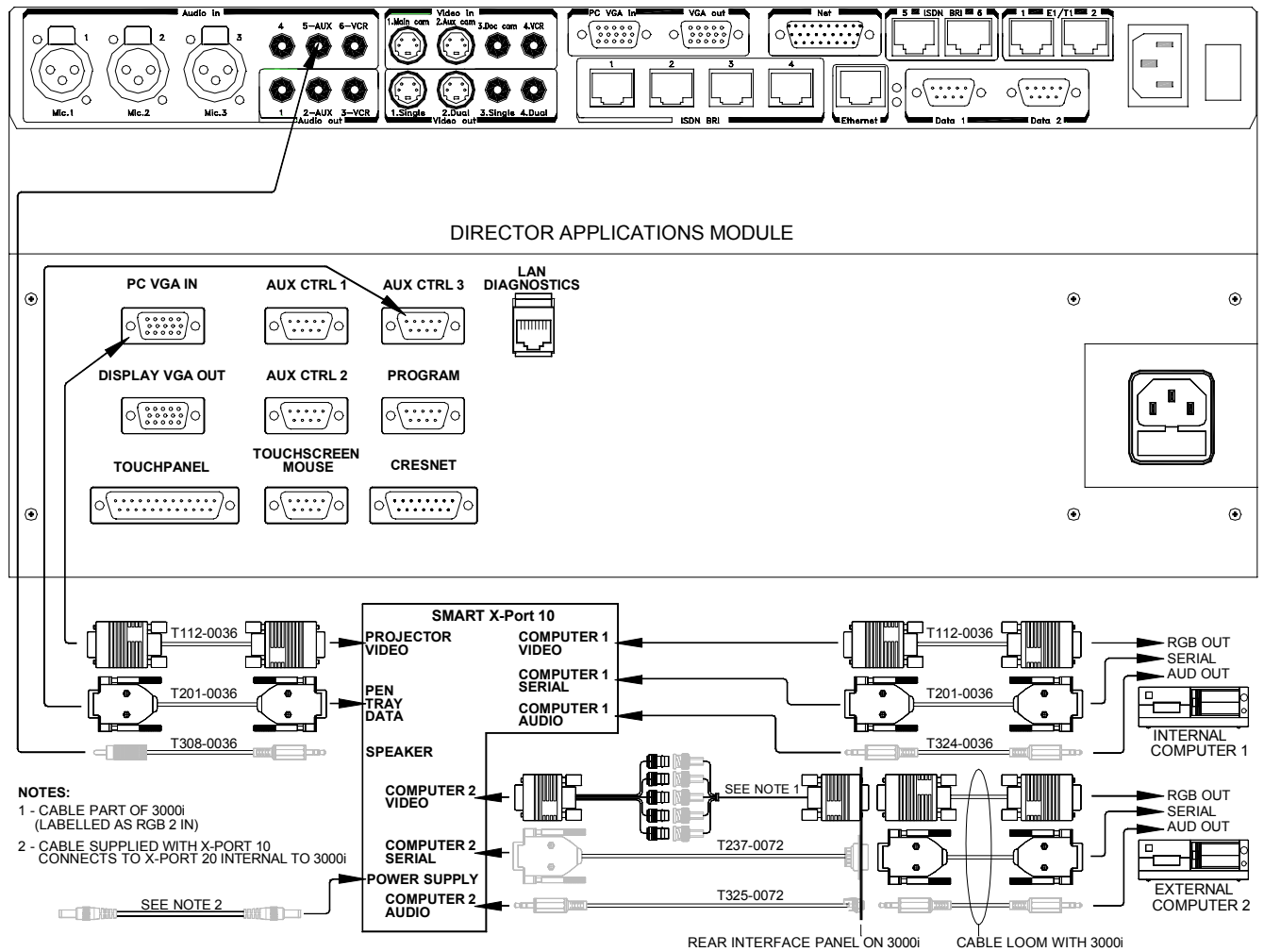


Logo Installation:

Apply the provided TANDBERG Director label to the top right hand corner of the Smart 3000i projector. The label will help differentiate the type of system you have if and when technical help is required.

System Connections:

Connect the cables as shown in the diagram below and by matching the cable labeled ends to the corresponding equipment.



Free Manuals Download Website

<http://myh66.com>

<http://usermanuals.us>

<http://www.somanuals.com>

<http://www.4manuals.cc>

<http://www.manual-lib.com>

<http://www.404manual.com>

<http://www.luxmanual.com>

<http://aubethermostatmanual.com>

Golf course search by state

<http://golfingnear.com>

Email search by domain

<http://emailbydomain.com>

Auto manuals search

<http://auto.somanuals.com>

TV manuals search

<http://tv.somanuals.com>