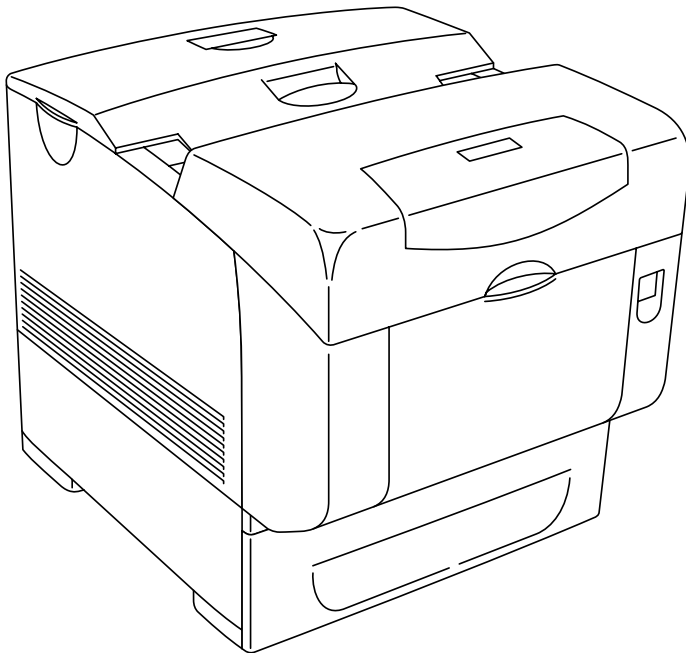


TallyGenicom Intelliprint 8026DN Color Laser Printer User Guide



Trademarks

The following are trademarks or registered trademarks of their respective owners. Other product names mentioned in this manual may also be trademarks or registered trademarks of their respective owners. Registered trademarks are registered in the United States Patent and Trademark Office; some trademarks may also be registered in other countries. TallyGenicom, is registered trademarks of TallyGenicom. PostScript is a trademark of Adobe Systems Incorporated for a page description language and may be registered in certain jurisdictions. Throughout this manual, "PostScript 3" (PS-3) is used to refer to a set of capabilities defined by Adobe Systems for its PostScript Level 3 page description language. Adobe, Adobe PhotoShop, Adobe PageMaker/Adobe Systems Incorporated. Apple, AppleTalk, EtherTalk, LaserWriter, LocalTalk, Macintosh, TrueType/Apple Computer, Inc. Banyan, VINES/Banyan. DEC, DECnet, LN03, VMS/Digital Equipment Corporation. Hewlett-Packard, HP, PCL, HP-GL, HP-UX, LaserJet/Hewlett-Packard Co. IBM PC, Token-Ring/International Business Machines Corporation. Intel/Intel Corporation. Microsoft, MS-DOS, Windows/Microsoft Corporation. Novell and NetWare/Novell, Inc. The ENERGY STAR logo/United States Environmental Protection Agency. The ENERGY STAR emblem does not represent EPA endorsement of any product or service. UNIX/UNIX Systems Laboratories.

Copyright Notice

This manual is Copyrighted © 2006 by TallyGenicom. All Rights Reserved. This manual may not be copied in whole or in part, nor transferred to any other media or language, without the express written permission of TallyGenicom.

The specifications of your printer and the content of this publication are subject to change without prior notice. Every attempt has been made to verify the accuracy of the content herein.

Important

- ① This manual is copyrighted with all rights reserved. Under the copyright laws, this manual may not be copied or modified in whole or part, without the written consent of the publisher.
- ② Parts of this manual are subject to change without prior notice.
- ③ We welcome any comments on ambiguities, errors, omissions, or missing pages.
- ④ Never attempt any procedure on the machine that is not specifically described in this manual. Unauthorized operation can cause faults or accidents. TallyGenicom is not liable for any problems resulting from unauthorized operation of the equipment.

Preface

Thank you for choosing the 8026DN. This is a guide on operating the 8026DN and the important points to note. To understand the features fully and to use the machine correctly and effectively, please read this guide before using it.


Keep this guide handy for use as a quick reference on using the machine. This guide is written for users who are familiar with the personal computers, operating systems, and software compatible with this printer. For operational procedures and information regarding these items, refer to the documentation provided with the various hardware and software that you are using.

It may be a legal offence to print currency notes, certificates of stocks and securities, or any other documents of similar nature, regardless of whether they will be used.

Data Loss in Hard Disk

Saved data may be lost if hard disk of the machine breaks down due to external shocks or if the power is accidentally cut off in a manner not following the methods listed in manuals or other documentations. TallyGenicom is not responsible for such data loss and any consequence caused by such data loss.

This device complies with the guidelines (general-purpose device high frequency control standards) for high frequency copying devices and similar machine types as set by the Japan Business Machine Makers Association (JBMA).

In this manual, safety instructions are marked with the symbol . Always read these before performing procedures and make sure you follow them.

This is a class 1 laser product, and does not emit dangerous laser radiation. This equipment should be operated in accordance with this manual in order to avoid injury or damage.

This is a class B information processing device and complies with Voluntary Control Council for Interference by Information Technology Equipment (VCCI) standards. This device is designed for domestic use, however it may cause radio interference when placed near a radio, television, or other type of receiver. Please follow the instructions in this manual closely.



As a member of the International Energy Star Program, TallyGenicom confirm this product satisfies the requirements for International energy Star Program standards.

About this Manual

Scope

This User Guide contains all of the information necessary to operate and care for your printer and accessories. It is intended to be used with the pictorial unpacking instructions and the Installation Guide, both included in the printer packaging. If you have not already unpacked and installed the printer, please refer to these documents. This guide does not contain instructions for unpacking and installing the printer.

Overview

This manual contains Safety Notes, eight chapters (1 through 8) and one appendix:

Printer Orientation

Throughout this guide, the four sides of the printer are referred to as front, rear, right, and left. The front of the printer is the side near the control panel, and the rear of the printer is opposite the front. The left and right sides of the printer are defined as the sides to the left and right, respectively, of a person who is facing the front of the printer.

Conventions

The following conventions are used throughout this manual to emphasize certain procedures or information:

NOTE: A note is a tip or extra information that may be helpful in installing or using the printer.

CAUTION

A caution message provides information that may help you avoid equipment damage, process failure, or inconvenience. Read all caution messages carefully.

WARNING

A warning message indicates the possibility of personal injury if a specific procedure is not performed exactly as described in the guide. Pay close attention to these sections and read them fully to prevent possible injury.

Organization

The following is a summary of each chapter:

Safety Notes

This section explains the items of which to take note to ensure that you use this printer safely and correctly. Be sure to read this section to prevent serious injuries and accidents.

Chapter 1 Installing the Printer

This chapter explains the procedures to decide on the installation location, check the package contents, and set up the printer at the installation location.

Chapter 2 Daily Care

This chapter explains the essential operations for using the printer on a daily basis such as replenishing paper and cleaning.

Chapter 3 Troubleshooting

This chapter explains the problems that may arise when using the printer and the way of handling them. Do not consider the problems as a mechanical breakdown until you have read this chapter.

Chapter 4 Clearing Paper Jams

This chapter explains the ways to solve paper jams.

Chapter 5 About Consumables

This chapter explains the essential consumables for this printer, cautions on using them, and the way of replacing them.

Chapter 6 Optional Accessories

This chapter explains the optional accessories and how to install and uninstall them.

Chapter 7 Understanding and Navigating the Control Panel Menus

This chapter explains the control panel and its functions, and also demonstrates how to navigate throughout the various menus and submenus that allow you to view and change the printer settings.

Chapter 8 Optional Extended Features

This chapter describes the procedures for installation of DRAM Memory DIMMs and the Hard Disk Option. Also describes how to use the extended features associated with these options.

Appendix Consumables

This Appendix includes the printer specifications and expected life of the consumables. Specifications for the printer and options are listed here.

Special Features of This Printer

This printer has the following special features:

- **Quality printing at a high speed**
With its 1,200 dpi laser-style resolution, it can print in high definition and high quality (optional feature). Attains high-speed printing of 35/25 sheets per minute when printing the same A4-sized document by long edge feed.
- **Flexible use of paper sources and delivery methods**
A paper tray for various paper sizes, from A5 to Legal 14, can be used in the tray module. Special media such as envelopes and labels can also be used.
Optional tray module (A4/550 sheets) is available. By adding the optional tray module, you can load up to 1,800 sheets.
You can add up to two optional tray modules.
Two sided printing.
- **Network-readiness**
The printer includes an Ethernet Network Interface Card.
- **Easy operation**
The easy-to-read control panel display clearly shows the status of printer operation. Control panel pushbuttons allow you to access and view printer menus, submenus, and status messages.

The following diagram shows the printer with the 500 sheets exit as well as the 550 sheet main tray.

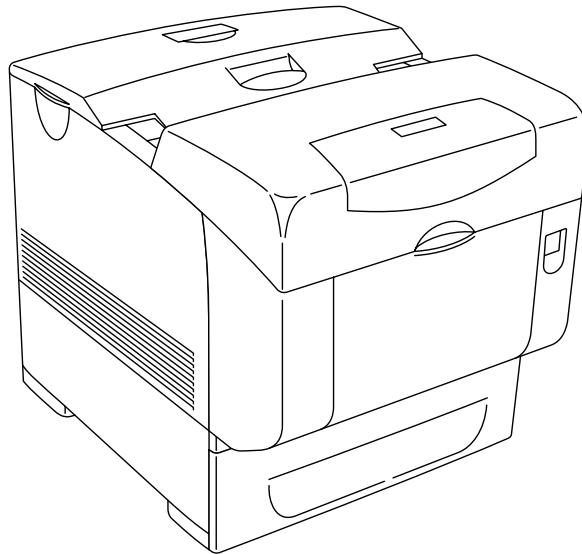




Table of Contents

Safety Notes i-1

This Chapter contains the Safety Notes i-1

Safety Notes i-2

For Installation & Relocation i-3

For Power & Earth Connection i-6

For Machine Operation i-9

Illegal Copies and Printouts i-12

Chapter 1

Installing the Printer 1-1

About this Chapter 1-2

Installation Location 1-2

Connect the Printer to Its Own AC Outlet 1-2

Unsuitable locations 1-3

When Using an Ultrasonic Water Vaporizer 1-3

Safety Precautions 1-3

Handling the Printer 1-3

Printer Location Requirements 1-4

Printer Weight and Dimensions 1-4

Minimum Installation Clearances 1-4

Accessories 1-5

Carrying the Printer 1-6

Front Side of the Printer is Heavier Than the Rear 1-6

Installation Procedure 1-7

Removing the Tape 1-7

Installing the Optional Accessories 1-7

550 Sheet Tray Module / 1100 Sheet Tray Module 1-7

Installing the Drum Cartridge 1-7

Preparing the Toner Cartridges 1-10

Loading Paper 1-12

Loading Paper in the Multipurpose Feeder 1-12

Loading Envelopes in the Multipurpose Feeder 1-15

Loading Paper in the Paper Tray 1-16

Connecting the Power Cord 1-19

Turning the Printer On 1-20

Switching Off the Power 1-20

Adjusting Colour Alignment 1-21

Adjustments 1-22

Print out an Alignment Page 1-22

Set the K-V Adjustment 1-23

Set the K-H Adjustment 1-23

Adjusting Colour Registration 1-25

Determining Values 1-25

Entering Values 1-25

Selecting a Display Language 1-27

Printing PCL and PostScript Font Lists 1-28

Chapter 2

Daily Care 2-1

Main Components and Their Function 2-2

Front view 2-2

Control panel 2-3

Rear view 2-4

Internal view 2-5

Paper Handling 2-6

Suitable Paper Types 2-6

Plain Paper 2-6

Standard Paper 2-6

Special Media 2-7

Paper Trays and Types 2-8

Available Paper Sizes 2-9

Duplex Printing Paper Types and Sizes 2-9

Unsuitable Paper types 2-10

Storing Paper 2-11

Loading Paper 2-11

Loading Paper in the Multipurpose Feeder 2-11

Loading Envelopes in the Multipurpose Feeder 2-13

Loading Paper in Paper Tray 2-14

Cleaning the Printer 2-17

Cleaning the exterior 2-17

Cleaning the interior 2-17

Cleaning the Density Sensor 2-18

Cleaning the Drum Cartridge 2-21

Moving the Printer 2-25

Chapter 3

Troubleshooting 3-1

Dealing With Problems 3-2

Power Problems 3-2

Cannot Print 3-3

Print Quality Problems 3-4

Printing Is Not Clear 3-10

Paper Transport Problems 3-11

Other Problems 3-12

Warning Messages and Error Messages 3-13

Warning Messages 3-13

Error Messages 3-14

Chapter 4

Clearing Paper Jams 4-1

Clearing Paper Jams 4-2

Paper Jams in the Multipurpose Feeder 4-3

Paper Jams in the Standard Tray 4-4

Paper Jams between Drum Cartridge and Fuser Unit 4-6

Paper Jams at the Fuser Unit 4-7

When Long Paper Jams 4-11

Paper Jams at the Paper Inverter 4-12

Paper Jams in the Optional Tray Module 4-13

Chapter 5

About Consumables 5-1

Consumables Overview 5-2

Toner Cartridges 5-2

Drum Cartridge 5-3

Fuser Unit 5-3

Transfer Roll Cartridge 5-4

Retard Roll 5-4

Replacing the Toner Cartridges 5-5

Toner Cartridge Handling Precautions 5-5

Handling Precautions 5-5

Storage Precautions 5-5

Replacing Toner Cartridges 5-6

Drum Cartridge 5-9

Handling Precautions 5-9

Replacing the Drum Cartridge 5-9

Storage Precautions 5-12

Transfer Roll Cartridge 5-13

Transfer Roller Cartridge Handling Precautions 5-13

Handling Precautions 5-13

Replacing the Transfer Roll Cartridge 5-13

Fuser Unit 5-16

Replacing the Fuser Unit 5-16

Retard Roll 5-19

Replacing the Retard Roll 5-19

Chapter 6

Optional Accessories 6-1

Options 6-2

Options Overview 6-2

550 Sheet Tray Module 6-2

1100 Sheet Tray Module 6-2

Tray Module 6-3

Installing the Optional 550 Sheet Tray Module 6-3

Installing the Optional 1100 Sheet Tray Module 6-6

Installing the Optional 550 Sheet and 1100 Sheet Tray Module 6-10

Removing the Tray Module 6-15

Chapter 7

Understanding and Navigating the Control Panel Menu 7-1

About this Chapter 7-2

Control Panel Features 7-2

LCD Display 7-2

LED Indicators 7-3

Pushbuttons 7-3

Navigating the Control Panel Menus 7-5

Menu Structure 7-7

Status Menu 7-8

Job Library 7-9

At the Computer 7-9

Procedure – PCL 7-9

Procedure – TallyGenicom PS 7-11

Operation on the control panel – for both PCL and PS 7-13

Output print data stored – for both PCL and PS 7-14

Print secure jobs 7-15

At the Computer 7-15

Procedure – PCL 7-16

Procedure – TallyGenicom PS 7-18

Output print data stored – for both PCL and PS 7-20

Job Library Errors 7-21

Job Accounting 7-21

Paper Menu 7-22

Interface Menu 7-25

PS Menu 7-28

PCL Menu 7-29

System Menu 7-32

Quality Menu 7-34

Color Menu 7-35

Functions Menu 7-37

FLASH Menu 7-38

DISK Menu 7-39

Date/Time Menu 7-40

Chapter 8

Optional Extended Features 8-1

About this Chapter 8-2

Installing DRAM Memory DIMMS 8-2

Installing the Hard Disk/Compact Flash Option 8-4

Installing the Flash Option in the Printer 8-6

Using the Hard Disk/Compact Disk Option and User Flash DIMM Module 8-9

Operator Panel MENU Structure 8-9

Using the Disk Menu 8-10

Using the Flash Menu 8-10

Using the FLASH SIMM or Hard Disk/Compact Flash Option as a PostScript Device 8-11

PostScript Operators 8-11

Device Parameter Sets 8-12

Warmstart.ps and Sys/Start Files 8-12

Using the Power-On Files Feature 8-13

Power-on Files Defined 8-13

Collating, Saved Jobs, and Job Accounting 8-14

Collating Feature 8-14

Saved Jobs Feature 8-19

Job Accounting Feature 8-30

Using the Custom Paper Size Feature 8-31

Operator Panel Access 8-31

Printer Driver Access 8-32

Custom Page size and Microsoft Word, Word 2000, and Word 2003 8-35

Resolution 8-35

Accessing the Printer Web Page 8-37

Printer Setup 8-42

Job Accounting 8-49

Appendix A

Specifications and consumables A-1

Specifications A-2

Printer Specifications A-2

Printable area A-3

Expected life of Consumables A-3





Safety Notes

This Chapter contains the Safety Notes

Safety Notes

For your own safety, please read this page carefully before using the machine.

-  Do not place the machine in a hot, humid, dusty, or poorly ventilated environment. Prolonged exposure to these adverse conditions can cause fire or electric shock.
-  Do not place the machine near heaters or volatile, flammable, or combustible materials such as curtains that may catch fire.


Graphic Symbols Used

WARNING

Used for items that if not followed strictly, can lead to severe or fatal injuries.

CAUTION

Used for items that if not followed strictly, can cause injuries to user or damages to the machine.

 A symbol for items to pay attention to when handling the machine. Follow instructions carefully to use machine safely.



High temperature




Flammable



Electrical shock



Narrow space

 A symbol for prohibited items. Follow instructions carefully to avoid any dangerous acts.



Prohibited




No naked flame



Do not dismantle



Do not touch

 A symbol for items that must be performed. Follow instructions carefully to carry out these essential tasks.



Hint








Remove the plug

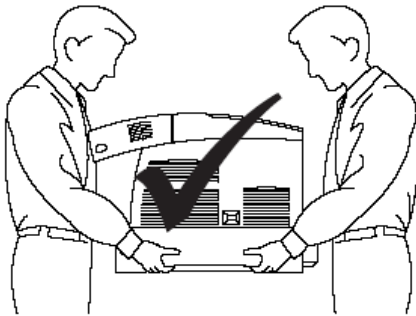



Ground the earth

For Installation & Relocation

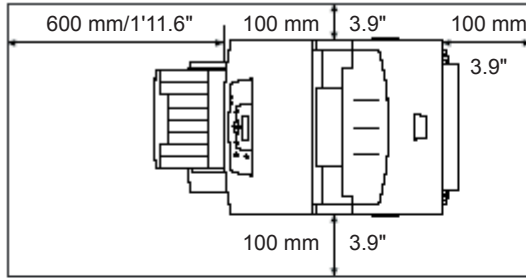
CAUTION

-  Do not place the machine in a hot, humid, dusty, or poorly ventilated environment. Prolonged exposure to these adverse conditions can cause fire or electric shock.
-  Do not place the machine near heaters, combustible spray, flammable thinner or materials such as curtains that may catch fire easily.
-  Place the machine on a level and sturdy surface that can withstand the machine weight. If tilted, the machine may fall over and cause injuries.
-  The machine weighs 31.5 kg (70 lb) for a standard configuration (not including consumables). When moving the equipment, make sure that there are two or more persons carrying it.
-  When lifting the machine, be sure to observe the following points. Failure to do so may cause the machine to fall and result in injuries.
 - Remove the drum cartridge first, then two persons, one facing the front of the machine (control panel) and the other facing the back, should firmly grip the recessed areas on the bottom part of both sides of the machine. Never try to lift the machine by gripping any other areas.
 - Bend your knees to avoid possible injuries to your back.

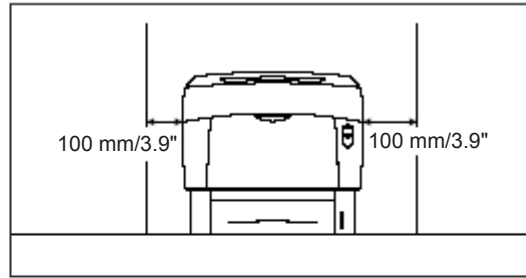


-  The machine has ventilation holes on the side and rear panels. Ensure that the machine is installed with a minimum clearance of 100 mm (3.9") from the rear vent to the wall, 100 mm (3.9") from the left vent to the wall, and 100 mm (3.9") from the right vent to the wall. A poorly ventilated machine can cause excessive internal heat and fire. The following diagram shows the minimum clearances required for normal operation, consumables replacement, and maintenance to ensure your machine operates at peak performance.

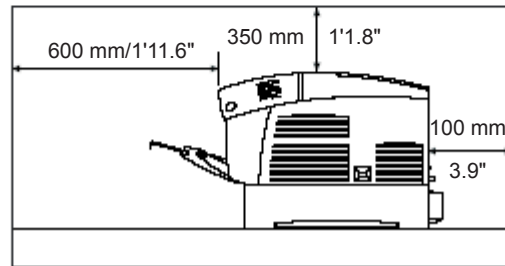
Top View



Front View



Side View

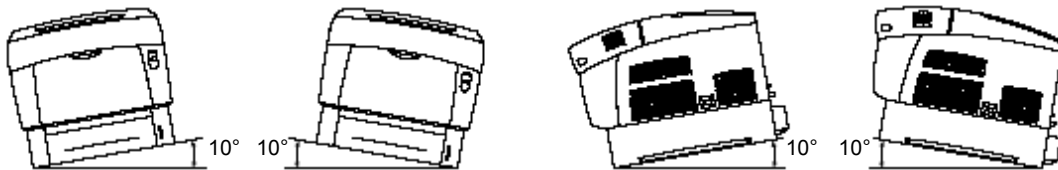


When moving the machine, be sure to unplug the power cord from the outlet. If the machine is moved with the power cord connected, it can cause damage to the cord which could result in fire or electric shock.



Do not move the machine by lifting it by the front and rear edges (positions shown in the following diagram) when the paper tray is extended (loaded with Legal 14 paper). The machine may fall and result in injuries or the paper tray may be damaged.

Do not tilt the printer more than 10 degrees.











Others


- The machine is capable of operating normally within the following recommended environmental limits.
Temperature range: 15 – 28 °C (59 – 82°F)
Humidity range: 20 – 70% (no condensation)
- Sudden temperature fluctuations can affect copy quality. Rapid heating of a cold room can cause condensation inside the machine, directly interfering with image transfer.
- Do not expose the machine to direct sunlight. Exposure to direct sunlight can adversely affect the machine's performance.
- Do not allow the machine to tilt more than 5 mm (0.2") front to back and more than 10 mm (0.4") left to right. If tilted excessively, consumables may spill and cause machine damage.
- Do not place the machine where the wind from an air conditioner or a heater blows directly on it. It causes the temperature inside the machine to change, and may damage the machine.

For Power & Earth Connection

WARNING

-  Use only the power cord specified for this printer. Using a different cord may cause fire or electric shock. Also, do not use the machine's power cord with other equipment.
-  The power specifications are listed below. The specifications that apply to your machine depend on your machine configuration. Connect the power plug only to a properly rated power outlet. Otherwise, it can cause fire or electric shock. If in doubt, contact our Customer Support Center or your dealers.
 - Rated voltage 100/120 V
Rated frequency 50/60 Hz
 - Rated voltage 220/240 V
Rated frequency 50/60 Hz
-  Ensure that the plug connection is free of dust. In a damp environment, a contaminated connector can draw a non-negligible amount of current that can generate heat and eventually cause fire over an extended period of time.
-  Always use the power cord provided with your machine. When an extension power cord is required, always use a properly rated cord.
 - In Japan: 125 V/15 A
 - In other countries: Contact our Customer Support Center or your dealers. If you use a cord with an unspecified current rating, the machine or plug may emit smoke or become hot to the touch externally.
-  Do not use any other power cords except those provided. Also, when using the power cords, please observe the following points. Failure to do so may cause fire or electric shock:
 - Do not touch the plug when your hands are wet.
 - Do not spoil, damage, or make any changes to the cord.
 - Do not place a heavy object on the cord or pull and overstretch it.
 - Do not place the cord near a heater.
 - Do not bundle or tie up the cord.
 - Do not pull out the plug at all times, and do not place any object around the power plug.
-  If the power cord is broken or insulated wires are exposed, ask our Customer Support Center for a replacement. Using a damaged cord can cause electric shock.
-  Never touch a power cord with wet hands. Danger of electric shock exists.

 Stop operation immediately if your machine produces smoke, excessive heat, unusual noise, or smell, or if water or foreign object (e.g. metal strip, liquid) enters the machine. These conditions can cause fire. Immediately switch off and unplug the machine, and contact our Customer Support Center or your dealers.

 To prevent fire or electric shock, follow the instruction below based on your machine configuration. If in doubt, contact our Customer Support Center or your dealers.

- If your machine is a 220/240 V model, there is no need to attach a separate earth line since the earth connection is incorporated in the power line. Plug it into a properly rated outlet.
- If your machine is a 100/120 V model, use the green earth wire bundled with the power cord, located at the rear of the machine.

The earth wire must be connected to one of the following conductors:


- Earth terminal of the specified power outlet
- A piece of copper buried in the earth 650 mm (25.6") or deeper
- Earth terminal with Class D* earthing.


* Class D is the regulation for Japan only.


Never connect the earth wire to any of the following:


- Gas pipe, which can be ignited and explode
- Telephone line earth wire or lightning rod, which can draw an excessive electric current if hit by lightning
- Water faucet or pipe whose electrical conductivity is broken by a non-metal part


 **CAUTION**

 Do not unplug or replug the machine while it is on. Unplugging a live connector can deform the plug and cause fire.

 When unplugging the machine, grasp the plug instead of the cord. Forcibly pulling on a cord can damage it and cause fire or electric shock.

 Be sure to switch off and unplug the machine before accessing the interior of the machine for cleaning, maintenance, or fault clearance. Access to a live machine's interior can cause electric shock.

 When removing jammed paper, make sure that no pieces of torn paper are left in the machine. A piece of paper remaining in the machine can cause fire. If a sheet of paper is wrapped around the heat roller, or when clearing a jammed paper that is difficult or impossible to see, do not try to remove it by yourself. Doing so can cause injuries or burns. Switch off the machine immediately, and contact our Customer Support Center.

 Do not use conductive paper, e.g. folding paper, carbonic paper and coated paper. When paper jam occurs, they can cause a short circuit and fire.



Once a month, unplug the machine and check the power cord for the following:

- The power cord is plugged firmly into a receptacle.
- The plug is not excessively heated, rusted, or bent.
- The plug and receptacle are free of dust.
- The cord is not cracked or frayed.

If you notice any unusual conditions, contact our Customer Support Center or your dealers.



When the machine is not used over an extended period of time, switch it off and unplug it. If an unused machine is left connected to a power source for a long period, degraded insulation can cause electric shock, current leakage, or fire.



Switch off the machine before connecting the interface cable and optional product. Connecting the cable or card with a live machine can cause electric shock.

Others







• Reception interference

When installed at a certain location, the machine may cause interference with radio and television reception. If you notice flickering or distorted images or noises on your audio-visual units, your machine may be causing radio interference. Switch it off, and if the interference disappears, the machine is the cause of radio interference. Perform the following procedure until the interference is corrected.





- Move the machine and the TV and/or radio away from each other.
- Reposition or reorientate the machine and TV and/or radio.
- Unplug the machine, TV and/or radio, and replug them into outlets that operate on different circuits.
- Reorientate the TV and/or radio antennas and cables until the interference stops. For an outdoor antenna, ask your local electrician for support.
- Use coaxial cable antennas.

For Machine Operation

WARNING

-  Do not place any liquid container such as a vase or coffee cup on the machine. Spilt water can cause fire or electric shock.
-  Do not place any metal parts such as staples or clips on the machine. If metal and flammable parts get into the machine, they can short-circuit internal components, and cause fire or electric shock.
-  If debris (metal or liquid) gets into the machine, switch off and unplug the machine. Contact our Customer Support Center. Operating a debris-contaminated machine can cause fire or electric shock.
-  Never open or remove machine covers that are secured with screws unless specifically instructed in this manual. A high voltage component can cause electric shock.
-  Do not try to alter the machine configuration, or modify any parts. An unauthorized modification can cause smoke or fire.
-  This equipment is certified as a Class 1 laser product under IEC60825-1 (Class 1). This means that the machine does not emit hazardous laser radiation. Since radiation emitted inside the machine is completely confined within the protective housings and external covers, the laser beam cannot escape from the machine during any phase of user operation. Do not perform any operation apart from the instructions given in the manual. There may be a danger of laser beam leakage.

CAUTION

-  Do not place a magnet near the safety switch of the machine. A magnet can activate the machine accidentally, resulting in injuries.
-  Never touch a labeled area found on or near the heat roller. You can get burnt. If a sheet of paper is wrapped around the heat roller, do not try to remove it by yourself to avoid injuries or burns. Switch off the machine immediately, and contact our Customer Support Center or your dealers.
-  Do not place any heavy object on the machine. An off-balance machine can fall over or the heavy object can fall, causing injuries.
-  Do not use a highly flammable spray or solvent near the machine. It can cause fire.

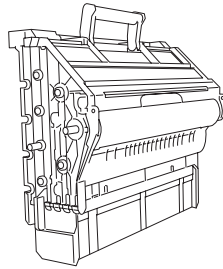
- ⚠ When removing jammed paper, make sure that no pieces of torn paper are left in the machine. A piece of paper remaining in the machine can cause fire. If a sheet of paper is wrapped around the heat roller, or when clearing a jammed paper that is difficult or impossible to see, do not try to remove it by yourself. Doing so can cause injuries or burns. Switch off the machine immediately, and contact our Customer Support Center or your dealers.

Others

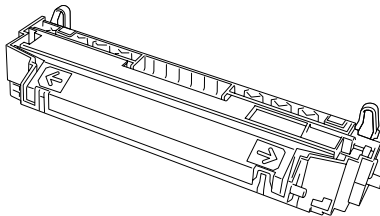
When clearing a paper jam or other fault, follow this manual.

⚠ WARNING

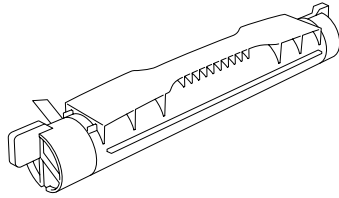
- ⊘ Never throw a drum cartridge into an open flame. It can cause an explosion and you can get burnt.



- ⊘ Never throw a transfer roll cartridge into an open flame. It can cause an explosion and you can get burnt.



- ⊘ Never throw toner or a toner container into an open flame. It can cause an explosion and you can get burnt.



- ⊘ Do not use a vacuum cleaner for cleaning a toner spilled on the floor. Use a broom to sweep it out, or a cloth soaked with soap water to wipe it out. The vacuumed toner may cause a fire in the cleaner due to its electrical sparks.

 **CAUTION**

- ⊘ Keep the drum cartridge, transfer roll cartridge, and toner cartridge in a location out of reach of children.

Illegal Copies and Printouts

Copying or printing certain documents may be illegal in your country. Penalties of fines or imprisonment may be imposed on those found guilty. The following are examples of items that may be illegal to copy or print in your country.

- Currency
- Banknotes and checks
- Bank and government bonds and securities
- Passports and identification cards
- Copyright material or trademarks without the consent of the owner
- Postage stamps and other negotiable instruments

This list is not inclusive and no liability is assumed for either its completeness or accuracy. In case of doubt, contact your legal counsel.

Chapter 1

Installing the Printer

In this Chapter . . .

- “Installation Location” on page 1-2
- “Safety Precautions” on page 1-3
- “Printer Location Requirements” on page 1-4
- “Minimum Installation Clearances” on page 1-4
- “Accessories” on page 1-5
- “Carrying the Printer” on page 1-6
- “Installation Procedure” on page 1-7
- “Loading Paper” on page 1-12
- “Adjusting Colour Alignment” on page 1-21
- “Selecting a Display Language” on page 1-27
- “Printing PCL and PostScript Font Lists” on page 1-28

About this Chapter

This chapter reviews the contents of the printer packaging, explains the parts of the printer, and describes the space and environment requirements of the printer. For safe and convenient printer operation, take time to read the information in this section when deciding where to place your printer.

Installation Location

In order to make use of the printer safely and comfortably, choose an installation location with the following considerations.

CAUTION

Place the machine on a level and sturdy surface that can withstand the machine weight. If tilted, the machine may fall over and cause injuries.

NOTE: The weights of the optional tray modules are as follows:

550 sheet tray module: 6.8 kg (15 lb)

1100 sheet tray module: 21.0 kg (46 lb)

Level and stable surface (with vertical interval of 5 mm (0.2") left-to-right and 10 mm (0.4") front-to-back).

Well ventilated.

Ambient temperature range of 15 to 28 °C (59 to 82 °F), relative humidity 20 to 70% (no condensation).

NOTE: Do not position the printer in a room where there are sudden temperature fluctuations. Do not move the printer from a cool, dry location to a warm, humid location. Sudden temperature fluctuations can cause water droplets (condensation) to form inside the printer and cause the print quality to deteriorate. If condensation occurs, allow at least one hour for the printer to adapt to the new environment before use.

Connect the Printer to Its Own AC Outlet

Do not plug any other equipment into the printer's AC outlet, especially high-current equipment such as copiers or air conditioners. Electrical noise and voltage fluctuations from other equipment plugged into the same outlet can cause computing errors and data loss.

WARNING

Two power specifications are listed below. The specifications that apply to your machine depend on your machine configuration. Connect the power plug only to a properly rated power outlet. Otherwise, it can cause fire or electric shocks.

- Rated voltage 100/120 V
Rated frequency 50/60 Hz
 - Rated voltage 220 – 240 V
Rated frequency 50/60 Hz
 - Never use multi-plug adapters to plug multiple power plugs in the same outlet. Be sure to operate the machine on a sole-use receptacle. Multiple connectors can cause the outlet to overheat and cause fire.
-

Unsuitable locations

- Locations with direct exposure to sunlight
- Locations close to cooling/heating appliances
- Locations with direct exposure to drafts
- Locations susceptible to vibrations
- Dusty and dirty locations
- Locations close to open flame
- Damp locations
- Locations exposed to magnetic forces
- Locations susceptible to sudden changes in temperature or humidity

When Using an Ultrasonic Water Vaporizer

Using tap or well water with ultrasonic water vaporizers disperses impurities into the air. These impurities can accumulate inside the printer and cause print quality to deteriorate. If you install the printer in the same room as an ultrasonic water vaporizer, use only filtered water in the water vaporizer.

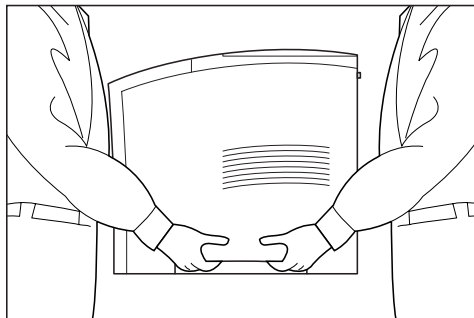
Safety Precautions

This printer is available in either of the following power specifications: 110V and 220V. The specifications that apply to your printer depend on your machine configuration. To prevent fire or shock hazards, connect the power plug only to a properly rated power outlet.

Handling the Printer

Follow the guidelines below when lifting or moving the printer:

- The printer is very heavy, and should always be lifted by two people. The weight of the printer without paper tray, toner cartridge, and paper is about 70 lbs (31,5 kg). Never attempt to lift the printer alone.



- To lift the printer, have two individuals facing each other from the front and the rear of the printer grasp the recessed areas on each side of the printer. Do not lift the printer by grasping any area other than these recessed areas.
- When lifting the printer, maintain proper lifting posture to prevent injuries.

Printer Location Requirements

Printer Weight and Dimensions

This printer weighs approximately 70 lbs (31,5 kg) and should always be lifted by two people. The dimensions of the printer are listed below.

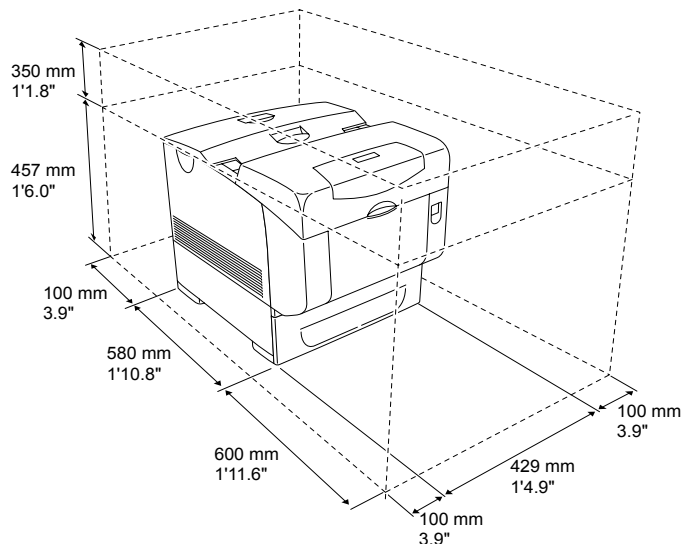
- Printer Height: 16.3 in (413 mm)
- Printer Width (left to right): 16.6 in (422 mm)
- Printer Depth (front to back): 17.3 in (439 mm)

Minimum Installation Clearances

Be sure to install the printer in a location that respects the minimum clearances indicated in the illustration below.

⚠ CAUTION

The machine has ventilation holes on the left, right, and rear sides. Ensure that the machine is installed with a minimum clearance of 100 mm (3.9") from the right side, 100 mm (3.9") from the left side, and 100 mm (3.9") from the rear side. A poorly ventilated machine can cause excessive internal heat and fire. The accompanying diagram shows the minimum clearances required for normal operation, consumables replacement, and maintenance to ensure your machine operates at peak performance.



Accessories

The standard configuration of the printer is as follows. Ensure that all the parts are available before installation.

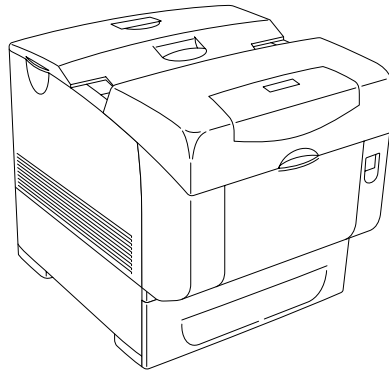
NOTE: Retain the packaging material and box for future use if there is a possibility that the printer will be moved over long distances. See "Options" (P. 6-2) for details on the optional accessories.

The standard printer package consists of the following items. Before installing the printer, confirm that all the items listed below are accounted for.

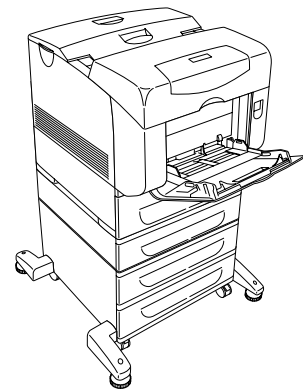
Refer to

- *About optional accessories for the printer: "Options" (P. 6-2)*

Printer

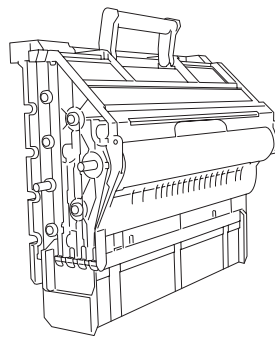


Without options

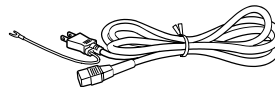


With full option

Drum cartridge



Power cord



Quick Start Guide with CD-ROM



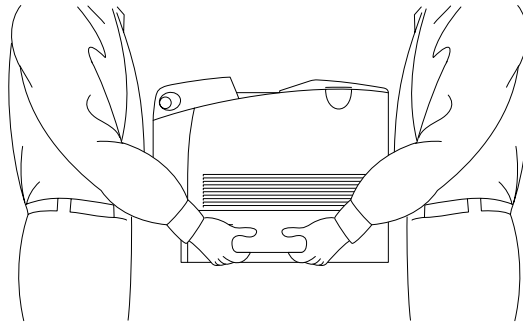
Carrying the Printer

When moving the printer to a place for installation, take note of the following points.
Hold the recessed areas on the left and right sides of the printer.

⚠ CAUTION

- Bend your knees when lifting the printer to avoid back injury.
 - To move the printer safely, remove the optional 550 sheet tray module and 1100 sheet tray module before moving the printer. To lift the printer safely, remove the drum cartridge and lift it with two people. Please put the removed drum cartridge on a flat even desk without things, such as a pencil and a clip. Please cover the removed drum cartridge by a newspaper or so not to expose the direct light. Lifting the optional 1100 sheet tray module safely requires two people.
-

To lift the printer, face the front and back of the printer and grip the recessed areas at the bottom left and right with both hands. Never try to lift the printer by gripping any other areas. Lifting the printer by gripping other areas can cause the printer to fall, resulting in injury.



⚠ CAUTION

- When moving the printer, do not tilt it more than 10 degrees. If tilted excessively, the printer may fall over and cause injuries.
-

Front Side of the Printer is Heavier Than the Rear

The front side of this printer is heavier than the rear. Take note of this difference in weight when moving the printer.

Installation Procedure

This section describes how to install the printer.

Removing the Tape

When the printer is first taken out of the packaging box, the covers of the printer are taped. Remove the tapes.

Installing the Optional Accessories

If you have purchased any optional accessories, install them before the drum cartridge, and before loading paper. If there are no optional accessories to install, proceed to the next section, "Installing the Drum Cartridge" (P. 1-7).

550 Sheet Tray Module / 1100 Sheet Tray Module

Refer to "550 Sheet Tray Module" (P. 6-2) and "1100 Sheet Tray Module" (P. 6-2) for details.

Installing the Drum Cartridge

When installing the drum cartridge, take note of the following points:

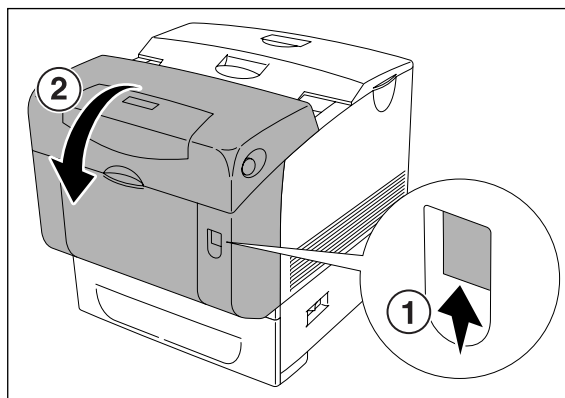
WARNING

- Never throw a drum cartridge into an open flame. Toner remaining in the cartridge can cause an explosion and you can get burnt.
-
- Do not subject it to direct sunlight or strong light.
 - When installing the drum cartridge, select a location not subject to strong light and try to finish the installation within 1 minutes.
 - Do not touch the surface of the photosensitive drum. Do not stand or place the drum cartridge upside down. The drum might get damaged.

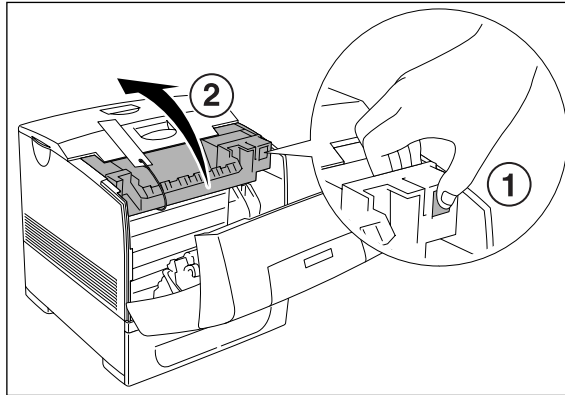
Refer to

- *Replacing the drum cartridge: "Replacing the Drum Cartridge" on page 5-9*

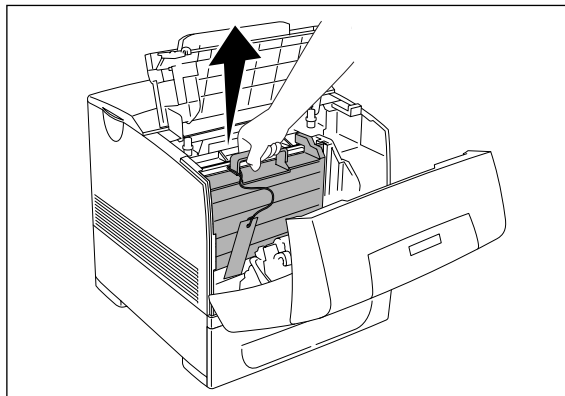
1. Push up button **1** and fully open the front cover **2**.



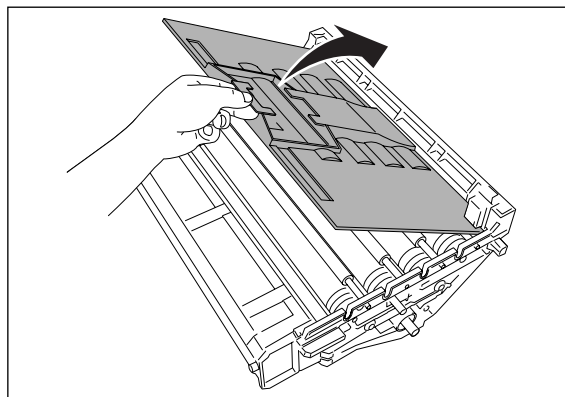
2. Press the button as shown in the diagram and open the output tray cover.



3. Hold the protective cover by the handle and pull it upward out of the printer.



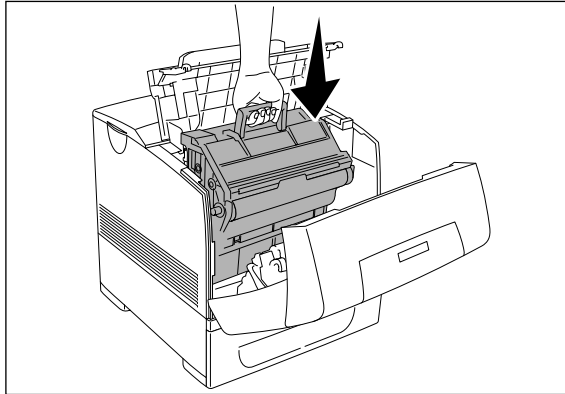
4. Take the new drum cartridge out of the packaging box by holding its handle and remove the protective cover from the drum cartridge.



Important

- *Make sure nothing touches or scratches the light-sensitive drum surface (green-colored part) or charge roller (black-colored part). Scratches, dirt, or oil from your hands on the light-sensitive drum surface or charge roller deteriorates print quality.*
- *Do not expose the drum cartridge to direct sunlight or strong light.*

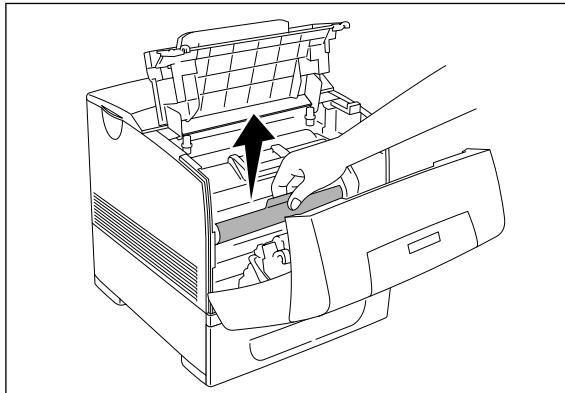
5. Holding the drum cartridge by the handle and the flat part facing the back of the printer, align the bosses, indicated by the arrows, on both sides of the drum cartridge with the slots that are indicated by the arrows on the printer. Gently lower the drum cartridge into the printer.



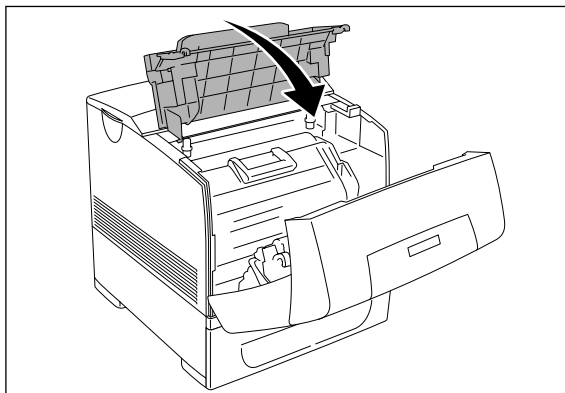
Important

- Lowering the drum cartridge into the printer without correctly aligning the rollers with the slots can damage the drum cartridge.

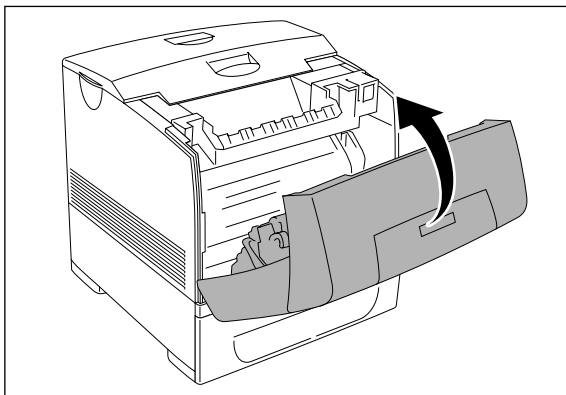
6. Pull the protective cover on the drum cartridge straight up to remove.



7. Close the output tray cover.



8. Close the front cover.

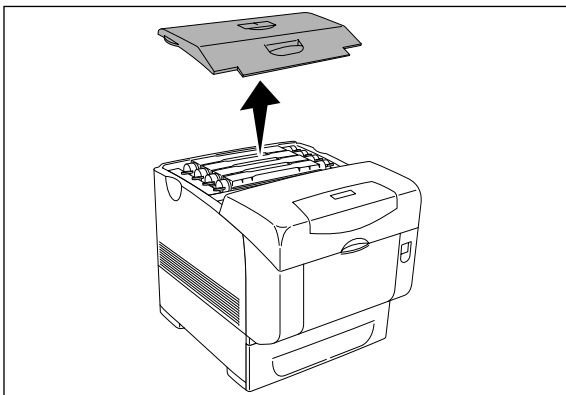


Preparing the Toner Cartridges

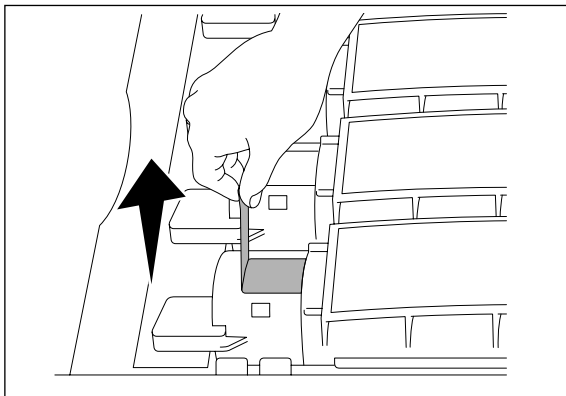
Refer to

- *Replacing the toner cartridges: "Replacing Toner Cartridges" on page 5-6*

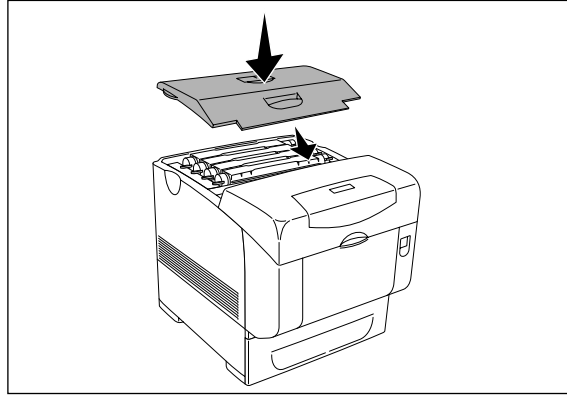
1. To prepare the toner cartridge, remove the top cover.



2. Pull the toner seal for each toner cartridge straight up to remove it.



3. Replace the top cover by inserting its front side into the printer first.



Loading Paper

This section describes how to load paper. Load paper correctly to reduce troubles such as paper jams.

Important

- See the package of paper to determine the front and back sides of the paper when loading it.

Refer to

- Types of paper suitable for printing: "Loading Paper" (P. 2-11)
- Loading paper in the multipurpose feeder: "Loading Envelopes in the Multipurpose Feeder" (P. 1-15)

Loading Paper in the Multipurpose Feeder

In addition to plain paper, the multipurpose feeder can use various other sizes and types of print media such as envelopes and transparencies.

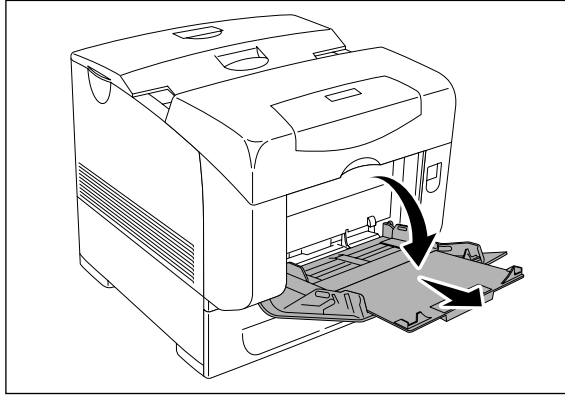
Make sure of the following points when loading paper in the multipurpose feeder.

- You can load up to 150 sheets or a stack of paper (60 g/m² to 216 g/m²) less than 15 mm (0.6") high.
- The multipurpose feeder accepts print media within the following dimensions:
 - Width: 88.9 mm (3.5") to 220 mm (8.7")
 - Length: 139.7 mm (5.5") to 355.6 mm (14")
- You can load paper (64 g/m² to 105 g/m²) up to 900 mm (35.4") long. However, paper over 355.6 mm (14") in length has to be fed one sheet at a time and supported by hand.

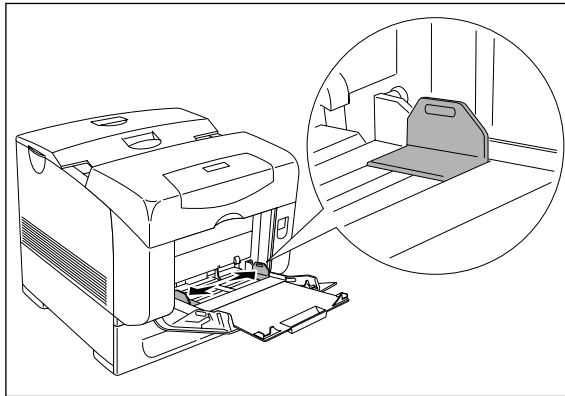
Important

- Make sure of the following points to avoid any troubles during printing.
- Do not load different types of paper at the same time.
- Use high quality paper for laser printers to print at high quality. Refer to "Paper Handling" (P. 2-6) for details.
- Do not remove or add paper to the multipurpose feeder when printing or if there is any paper still in the multipurpose feeder. Doing so may cause a paper jam.
- Load paper printable surface facing down. Also, load the paper which you want to print on first in the top of the multipurpose feeder.
- Do not put any objects other than paper on the multipurpose feeder. Also, do not push or force down the multipurpose feeder.

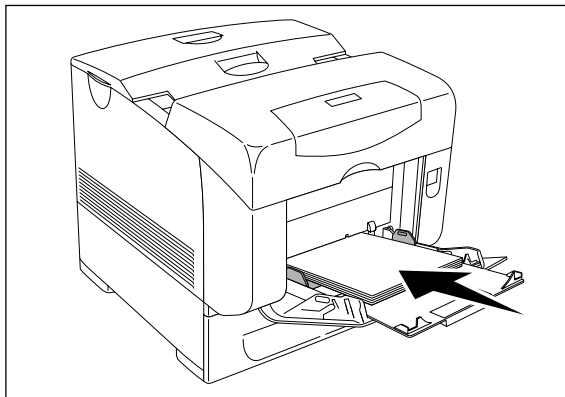
1. Gently pull open the multipurpose feeder cover, and pull out the extension tray.



2. Slide the width guides to the edge of the tray. The width guides should be fully extended.



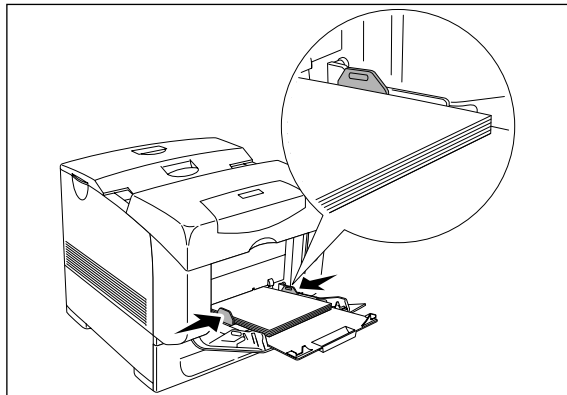
3. Insert all media face down and top edge first into the multipurpose feeder.



Important

- *Do not force the print media.*

4. Slide the width guides until they rest lightly against the edge of the print media stack.

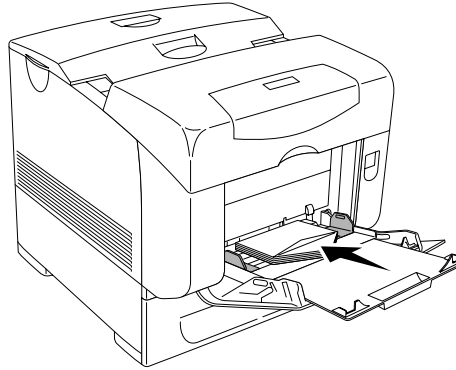


Important

- *Be careful not to bend the print media.*

Loading Envelopes in the Multipurpose Feeder

To load envelopes that are under 220 mm (8.66 inches) in width in the multipurpose feeder, insert the envelopes with the flaps open and at the rear. To load envelopes that are over 220 mm (8.66 inches) in width in the multipurpose feeder, insert the envelopes with the flaps closed and at the right side. The print side must be facing down. You can load envelopes up to the maximum fill line in the tray at one time.



Important

- *For best performance, do not use envelopes that:*
- *Have excessive curl or twist*
- *Are stuck together or damaged in any way*
- *Contain windows, holes, perforations, cutouts, embossing*
- *Use metal clasps, string ties, or metal folding bars*
- *Have an interlocking design*
- *Have postage stamps attached*
- *Have any exposed adhesive when the flap is in the sealed or closed position*
- *Have nicked edges or bent corners*
- *Have rough, cockle, or laid finishes*

NOTE: Make sure set the envelope flaps are completely unfolded when loading envelopes that are under 220 mm (8.7") in width.

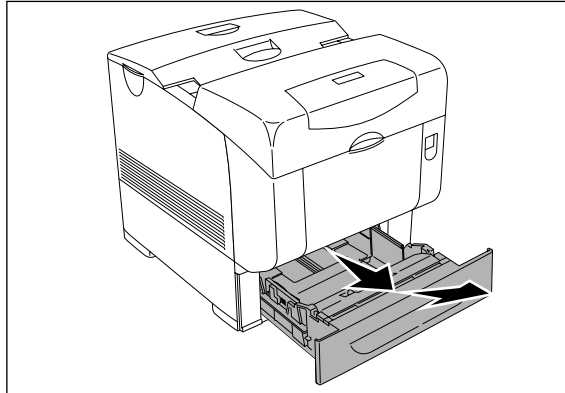
Loading Paper in the Paper Tray

This section describes how to load paper in the standard and optional paper trays. All trays are loaded the same way.

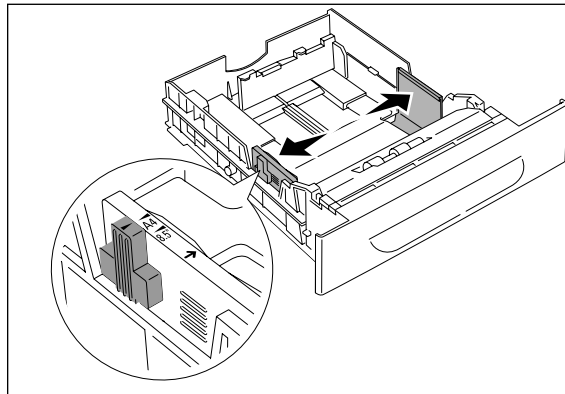
Important

- Do not remove the tray during printing. It may cause a paper jam.

1. Pull the tray out of the printer until it stops. Hold the tray with both hands, lift the front slightly, and remove it from the printer.

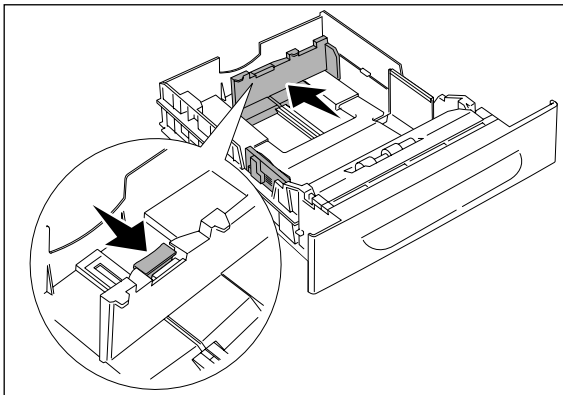


2. Slide the width guides to the edge of the tray. The width guides should be fully extended.

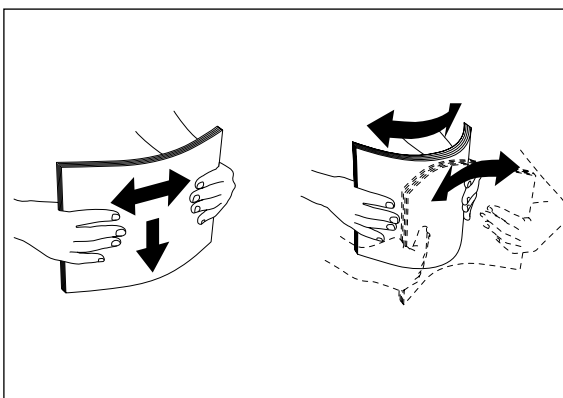


NOTE: When loading paper that is 210 mm (8.3") wide such as A4 size paper, set the tab on the side of the tray to the [A4] position.

3. Squeeze the length guide and slide it to the edge of the tray.



4. Before loading the print media, flex the sheets back and forth, and then fan them. Straighten the edges of the stack on a level surface.

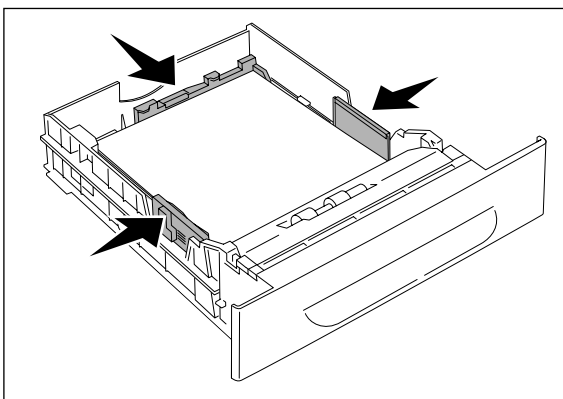


5. Place the print media into the tray with the recommended print side face up.

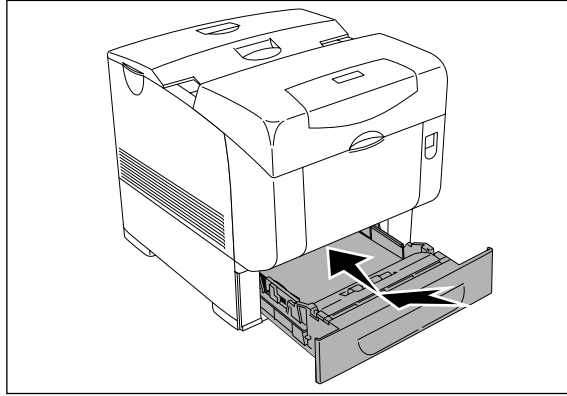
Important

- Do not exceed the maximum fill line in the tray. Overfilling the tray may cause paper jams.

6. Slide the width guides and length guide until they rest lightly against the edge of the print media stack.



7. Insert the tray into the printer, and push until it stops.



Important

- *Do not use excessive force on the tray. Doing so could damage the tray or the inside the printer.*

Connecting the Power Cord

WARNING

- The Power specifications are listed below. The specifications that apply to your machine depend on your machine configuration. Connect the power plug only to a properly rated power outlet. Otherwise, it can cause fire or electric shocks.
 - Rated voltage 100–120 V
Rated frequency 50/60 Hz
 - Rated voltage 220–240 V
Rated frequency 50/60 Hz
- Never use multi-plug adaptors to plug multiple power plugs in the same outlet. Be sure to operate the machine on a sole-use receptacle. Multiple connectors can cause the outlet to overheat and cause fire.
- To prevent fire or electric shocks, follow the instruction below based on your machine configuration.

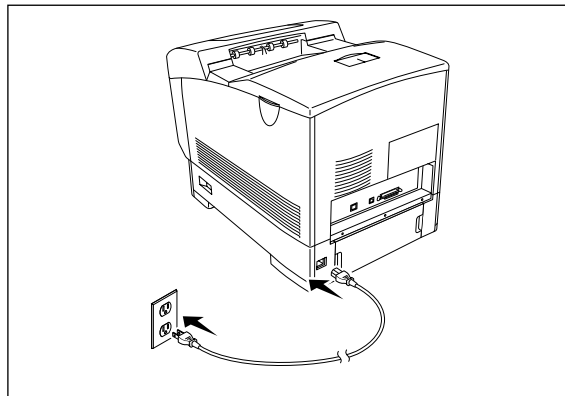
If your machine is a 220 – 240 V model, there is no need to attach a separate earth line since the earth connection is incorporated in the power line. Plug it into a properly rated outlet.

If your printer is a 100–120 V model, use the earth bundled with the power cord, located at the rear of the printer. The earth wire must be connected to one of the following conductors:

- Earth terminal of the specified power outlet
- A piece of copper buried in the earth 650 mm (25.6") or deeper
- Earth terminal with Class D* earthing.

*Class D is the regulation for Japan only.

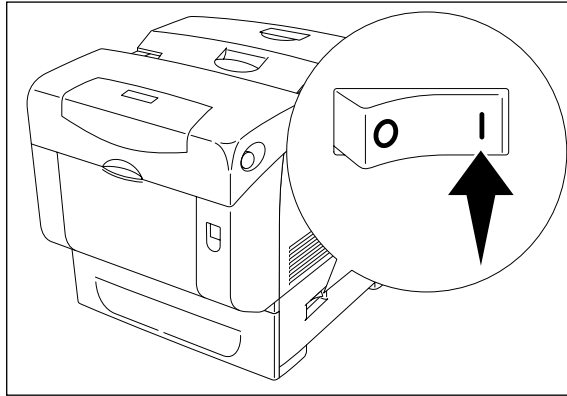
1. Connect the power cable into the printer, and plug it into the electrical wall outlet.



Turning the Printer On

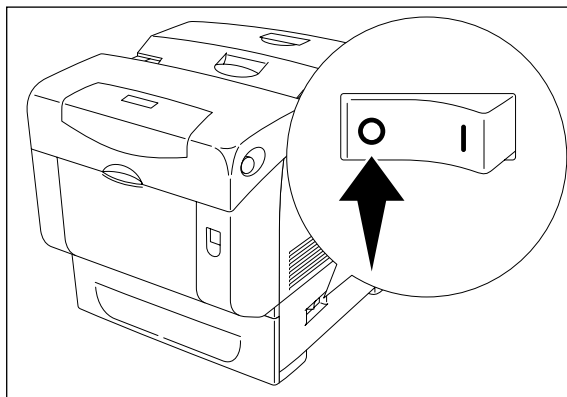
Switch on the power before operating the printer. When you have finished using the printer for the day or you do not intend to use it for a long period of time, switch off the power.

1. On the printer's right side, press the side of the power switch marked [I] to turn the printer on.



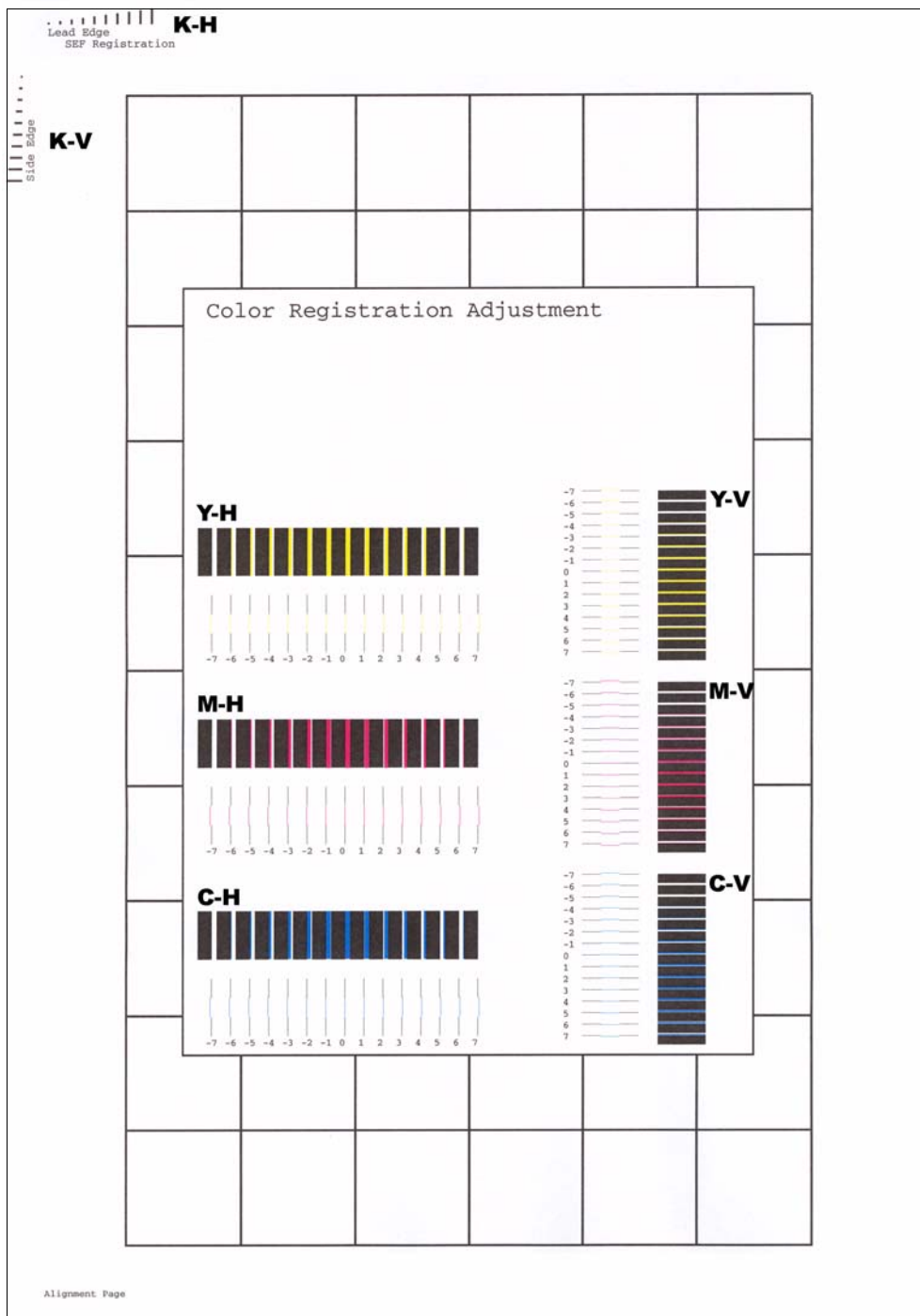
Switching Off the Power

1. Make sure that the printer is not in processing.
2. Press the power switch to the <O> position to turn the power off.



Adjusting Colour Alignment

This allows adjustment of the horizontal (K-H) and vertical (K-V) images on an A4 or Letter based page. The adjustment allows the printed images to be centered on the pages and applies the adjustment to all paper sources.



Adjustments

Select the paper tray to be used for the test.

1. From the Ready status, press MENU, the control panel display will read:

Menu
Job Library

2. Press PREVIOUS or NEXT until the display reads:

Menu
Paper Menu

3. Press SELECT, the display will read:

Paper Menu
Copies

4. Press PREVIOUS or NEXT until the display reads:

Paper
Default Source

5. Press SELECT, the display will read:

Default Source
Tray 2

6. Press PREVIOUS or NEXT until the desired paper tray appears on the bottom line of the display.
7. Press SELECT. You have now changed the paper tray to be used for the alignment.

Print out an Alignment Page

Print out an alignment page to determine whether the image is in the center of the page.

1. From the Ready status, press MENU, the control panel display will read:

Menu
Job Library

2. Press PREVIOUS or NEXT until the display reads:

Menu
Colour Menu

3. Press SELECT, the display will read:

Colour Menu
Rendering Intent

4. Press PREVIOUS or NEXT until the display reads:

Colour Menu
Alignment

5. Press SELECT, the display will read:

Alignment
Alignment Page

6. Press SELECT to print out an Alignment page. Use the outermost border to determine whether or not the image is centered on the page. Use the adjustments below (K-V) and (K-H) to centralize the image.

Set the K-V Adjustment

Adjust the vertical position of the image.

1. From the Ready status, press MENU, the control panel display will read:

Menu
Job Library

2. Press PREVIOUS or NEXT until the display reads:

Menu
Colour Menu

3. Press SELECT, the display will read:

Colour Menu
Rendering Intent

4. Press PREVIOUS or NEXT until the display reads:

Colour Menu
Alignment

5. Press SELECT, the display will read:

Alignment
Alignment Page

6. Press PREVIOUS or NEXT until the display reads:

Alignment
K-V Adjust

7. Press SELECT, the display will read:

K-V Adjust
0

8. Press PREVIOUS or NEXT until the correct adjustment value is shown on the display.
9. Press SELECT to store this value.

NOTE: The adjustment for K-V is -127 to 127, where each increment is 0.17 mm. Negative increments move the image towards the top of the page.

Set the K-H Adjustment

Adjust the horizontal position of the image.

1. From the Ready status, press MENU, the control panel display will read:
Menu
Job Library
2. Press PREVIOUS or NEXT until the display reads:
Menu
Colour Menu
3. Press SELECT, the display will read:
Colour Menu
Rendering Intent
4. Press PREVIOUS or NEXT until the display reads:
Colour Menu
Alignment
5. Press SELECT, the display will read:
Alignment
Alignment Page
6. Press PREVIOUS or NEXT until the display reads:
Alignment
K-H Adjust
7. Press SELECT, the display will read:
K-H Adjust
0
8. Press PREVIOUS or NEXT until the correct adjustment value is shown on the display.
9. Press SELECT to store this value.

NOTE: The adjustment for K-H is -127 to 127, where each increment is 0.17 mm. Negative increments move the image towards the left of the page.

Adjusting Colour Registration

After printing out the alignment page, determine the correct values for colour alignment.

Determining Values

There are two sets of colour registration bars, one vertical set and one horizontal set. Under the horizontal bars are a number of vertical lines, Yellow, Magenta and Cyan. Find the values of the straightest lines. These are the vertical registration values.

From the lines to the left of the vertical bars find the values of the straightest lines. These are the horizontal values.

Entering Values

Using the control panel, enter the values that you found in the Colour Registration Adjustment Chart to make the adjustments.

1. From the Ready status, press MENU, the control panel display will read:

```
Menu  
Job Library
```

2. Press PREVIOUS or NEXT until the display reads:

```
Menu  
Colour Menu
```

3. Press SELECT, the display will read:

```
Colour Menu  
Rendering Intent
```

4. Press PREVIOUS or NEXT until the display reads:

```
Colour Menu  
Alignment
```

5. Press SELECT, the display will read:

```
Alignment  
Alignment Page
```

6. Press PREVIOUS or NEXT until the display reads:

```
Alignment  
M-V Adjust (600)
```

7. Press SELECT, the display will read:

```
M-V Adjust  
0
```

8. Press PREVIOUS or NEXT until the correct adjustment value is shown on the display.

9. Press SELECT to store this value.

Repeat steps 6 to 9 to adjust the other settings, Y-V, C-V, M-H, Y-H and C-H. Print out another colour Adjustment page to confirm the alignments.

NOTE: When “0” is the value nearest the straight line, you do not need to adjust the colour registration. If “0” is not next to the straightest lines, determine the values and adjust again.

Important

- *After printing the Colour Registration Adjustment Chart, do not turn off the printer until the motor has stopped running.*

Selecting a Display Language

The default language for all LCD display messages and the Configuration Summary and Test Page is English. You can change the language to German, French, Italian, Spanish, Portuguese, Dutch, Danish, Norwegian, Swedish, Greek, Polish, Russian, Turkish or Brazil.

NOTE: The language that you select will be reflected on all LCD display messages, and also the content of the Configuration Summary and Test Page.

To change the default language from English to one of the other 14 available selections:

1. From the Ready status, press MENU, the control panel display will read:

```
Menu
Job Library
```

2. Press PREVIOUS or NEXT until the display reads:

```
Menu
System Menu
```

3. Press SELECT, the display will read:

```
System Menu
Factory Defaults
```

4. Press NEXT or PREVIOUS until the display reads:

```
System Menu
Display Language
```

5. Press SELECT, the display will read:

```
Display Language
English
```

6. Press NEXT or PREVIOUS until the desired default language appears on the bottom line of the display.
7. Press SELECT. You have now changed the default language.

Printing PCL and PostScript Font Lists

Your printer has the capability of printing lists of all installed PCL or PostScript fonts. To print a Font List, follow these steps:

1. From the Ready status, press MENU, the control panel display will read:

```
Menu
Job Library
```

2. Press PREVIOUS or NEXT until the display reads:

```
Menu
Functions
```

3. Press SELECT, the display will read:

```
Functions
Reset Printer
```

4. Press NEXT or PREVIOUS until the display reads:

```
Functions
Print Fonts
```

5. Press SELECT, the display will read:

```
Print Fonts
PCL Fonts
```

NOTE: You may toggle between PCL Fonts and Postscript Fonts using the PREVIOUS or NEXT push-buttons.

6. Press SELECT. A multi page resident Font List will print.



Chapter 2

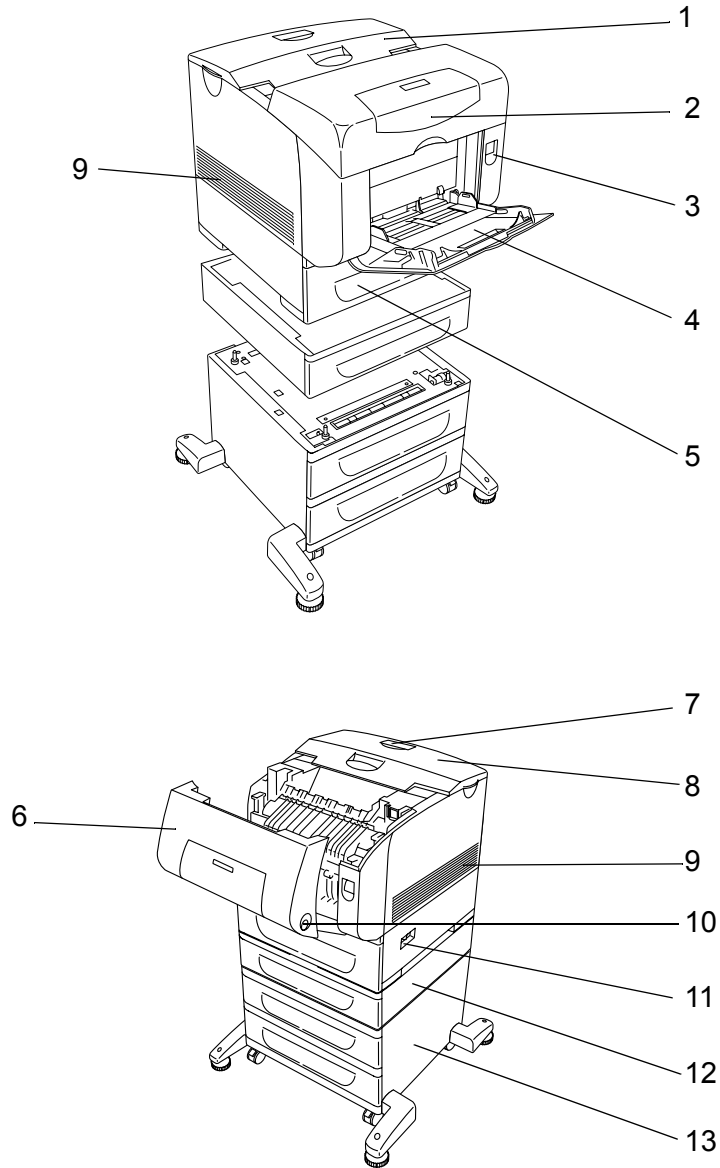
Daily Care

In this Chapter . . .

- “Main Components and Their Function” on page 2-2
- “Paper Handling” on page 2-6
- “Storing Paper” on page 2-11
- “Loading Paper” on page 2-11
- “Cleaning the Printer” on page 2-17
- “Moving the Printer” on page 2-25

Main Components and Their Function

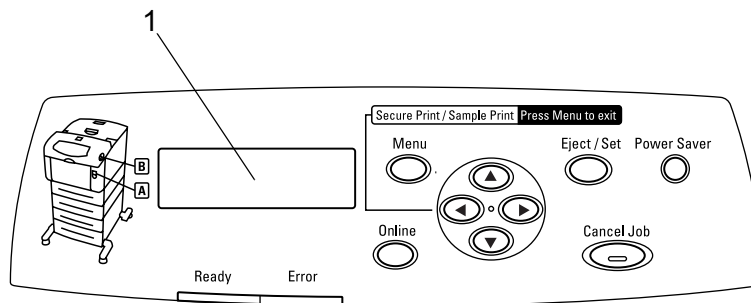
Front view



No.	Name	Description
1	Center output tray	Print jobs are output with the printed side facing down.
2	Control panel	Consists of operation buttons, indicators, and the display.
3	Button A	Push up this button when opening the front cover.
4	Multipurpose feeder	Load paper here.
5	Standard 550 sheet tray	Load paper here.

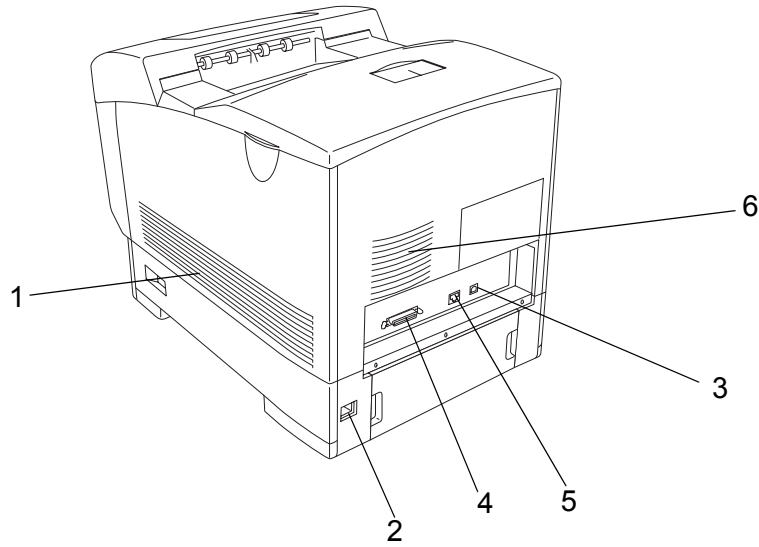
No.	Name	Description
6	Front cover	Open this when replacing the drum cartridge and removing jammed paper.
7	Paper stopper	Raise this when printing on paper larger than Letter size.
8	Top cover	Open this when replacing the toner cartridges.
9	Ventilation hole	Releases heat to prevent the interior of the printer from heating up.
10	Button B	Press this button when opening the upper part of the front cover.
11	Power switch	Switches the power of the printer on and off. Pushing the switch to the <I> side switches it on and pushing it to the <O> side switches it off.
12	Optional 550 sheet tray module	Load paper here.
13	Optional 1100 sheet tray module	Load paper here.

Control panel



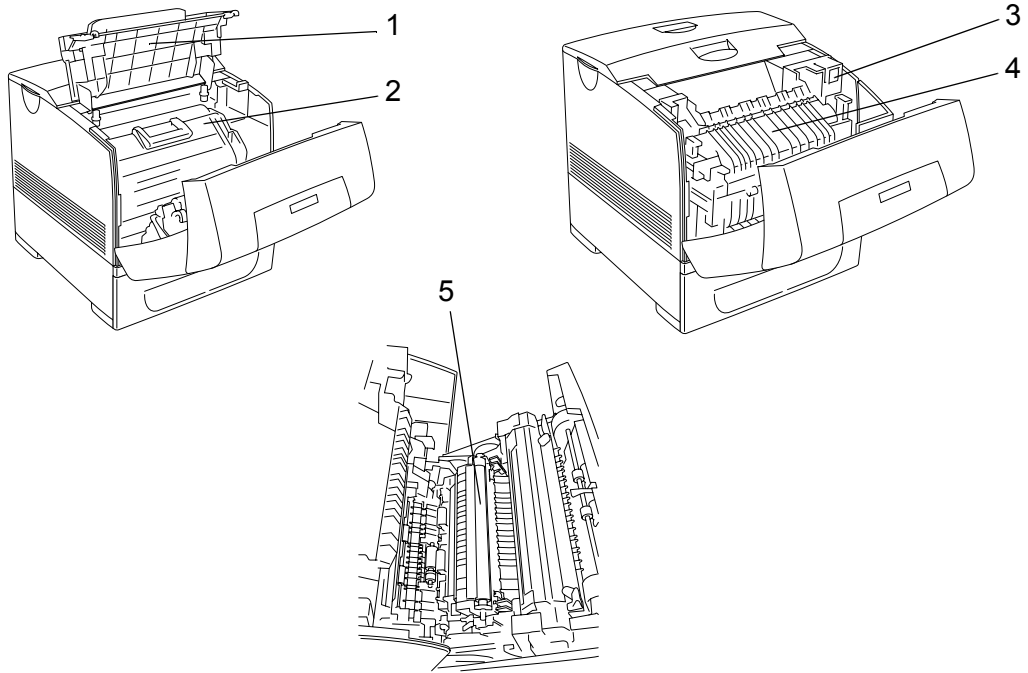
No.	Name	Description
1	Control panel display	Displays printer status, menus and messages.

Rear view



No.	Name	Description
1	Ventilation hole	Releases heat to prevent the interior of the printer from heating up.
2	Power cord connector	Connect the power cord here.
3	USB port	Connect the USB cable here.
4	Parallel port	Connect the parallel cable here.
5	Ethernet port	Connect the Ethernet cable here.
6	Ventilation hole	Air intake to prevent the interior of the printer from heating up.

Internal view



No.	Name	Description
1	Output tray cover	Open this when replacing the drum cartridge and removing jammed paper.
2	Drum cartridge	Consists of the light-sensitive drum and the intermediate transfer roller. Images are initially created as an electrical charge on the surface of this drum.
3	Output Tray Cover Button	Press this button when opening the output tray cover.
4	Fuser unit	Fixes the toner on the paper. Do not touch this when using the printer as it is hot.
5	Transfer roll cartridge	Transfers the toner image on the surface of the intermediate transfer roller of the drum cartridge to the paper.

Paper Handling

Using paper that is unsuitable for printing can cause paper jams and deteriorate print quality. We recommend using the types of paper listed below to obtain the best results from your printer.

Suitable Paper Types

Plain Paper

This printer can print on paper that is commonly sold. Select paper suitable for use by referring to the table below. However, we recommend the use of the standard paper for clearer printing.

Paper feed	G.S.M.
Multipurpose feeder	60 – 216 g/m ²
Standard 500 sheet tray Optional 550 sheet tray module or 1100 sheet tray module	60 – 163 g/m ²

NOTE: G.S.M. indicates the weight of a 1 m² sheet of paper.

Standard Paper

Standard paper for this printer is as follows:

Paper type	G.S.M.	Paper type
XC-4200DP 20lb Letter	60 – 105 g/m ²	XC-4200DP 20lb Letter
XC Premier 80gsm A4		XC Premier 80gsm A4
P Paper A4		P Paper A4

Special Media

In addition to plain paper, you can use the following types of special paper.

	Paper size	Paper type
Transparencies	Letter (215.9 × 279.4 mm/8.5" × 11") / A4 (210 × 297 mm/8.3" × 11.7")	3M PP-2500
	A4 (210 × 297 mm/8.3" × 11.7")	V516
Labels	Letter (215.9 × 279.4 mm/8.5" × 11")	XEROX 3R12520
	A4 (210 × 297 mm/8.3" × 11.7")	XEROX V862 XEROX 3R97408
Envelopes	Com#10 (104.8 × 241.3 mm/4.1" × 9.5")	Columbia 3B1183
	C5 (162 × 229 mm/6.4" × 9.0")	River Series #02067
	DL (110 × 220 mm/4.3" × 8.7")	River Series 3B1042
	Monarch (98.4 × 190.5 mm/3.9" × 7.5")	Monroe Brand 3B1039
	114 × 162 mm/4.5" × 6.4"	Youkei 2
	98 × 148 mm/3.9 × 5.8"	Youkei 3
	105 × 235 mm/4.1" × 9.3"	Youkei 4
	120 × 235 mm/4.7" × 9.3"	Youchoukei 3
	120 × 235 mm/4.7" × 9.3"	Choukei 3
Postcards	Japanese official postcards (100 × 148 mm/3.9" × 5.8")	–
	Double postal cards (148 × 200 mm/5.8" × 7.9")	–
	Four-facet postal cards	–
Coated paper	Letter (215.9 × 279.4 mm/8.5" × 11")	Strobe Gloss*
Card stock	A4 (210 × 297 mm/8.3" × 11.7")	RX 160 Premiere 3R91798
	76.2 × 127 mm/3.0" × 5.0" – 210 × 297 mm/8.3" × 11.7" (A4) or 215.9 × 279.4 mm/8.5" × 11" (Letter)	Classic Crest Super Smooth Cover Stock 3R3041

* Load this paper into the multipurpose feeder and print one sheet at a time.

Important

- *Make sure the humidity is low because high humidity and the high printing temperatures may seal the printing quality.*

Paper Trays and Types

You can load the following types of paper into the paper tray or multipurpose feeder.

■ Multipurpose Feeder

Paper that can be loaded in the multipurpose feeder is as follows:

Paper type	Maximum capacity
Standard paper	150 sheets
Other paper	Up to a height of 15 mm/0.6"

■ Standard and Optional Trays

Paper that can be loaded in the standard and optional 550 sheet tray module and optional 1100 sheet tray module is as follows:

Tray Modules

Paper type	Maximum capacity	
	550 sheet tray module	1100 sheet tray module
Standard paper	550 sheets or up to a height of 61 mm/2.4" (60 to 163 g/m ²)	1100 sheets
Other paper	Up to a height of 61 mm/2.4"	Up to a height of 61 mm/2.4"

Paper Trays

Paper type	Maximum Capacity	
	Paper tray (A4/150 sheets)	Paper tray (A4/550 sheets)
Standard paper	150 sheets	550 sheets
Other paper	Up to a height of 17.5 mm/0.7"	Up to a height of 59.4 mm/2.3"
Japanese official postcards	55 sheets	200 sheets or max 49.4 mm/1.9"
Envelopes	Columbian Com10 15 sheets	80 sheets or max 49.4 mm/1.9"
Labels	100 sheets	350 sheets
Transparencies	100 sheets	100 sheets
Card stock	120 sheets	400 sheets

Available Paper Sizes

The following paper sizes can be loaded in the paper tray and multipurpose feeder:

Loadable: ○ Not loadable: ×

Paper size	Multipurpose feeder	Paper tray (550 sheets) Paper tray (1100 sheets)
A4	○	○
B5	○	○
A5	○	○
Letter	○	○
Legal (8.5 × 13 in.)	○	○
Legal (8.5 × 14 in.)	○	○
Executive	○	○
User-specified print size	Width: 90 to 215.9 mm/3.5" to 8.5" Length: 148 to 355.6 mm/5.8" to 14"	×
COM-10 envelope	○	×
Monarch	○	×
DL	○	×
C5	○	×
Postcard	○	×

Duplex Printing Paper Types and Sizes

The available paper types and sizes for 2 sided printing are as follows:

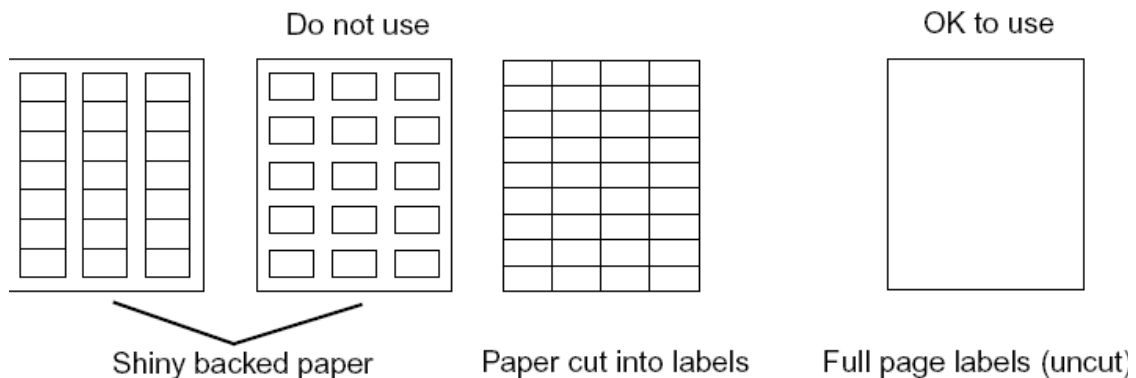
Paper type	Paper size	G.S.M.
Standard paper	A4	64 to 105 g/m ² (20 lb to 28 lb)
	B5	
	Letter	
	Legal (8.5 × 13 in.)	
	Legal (8.5 × 14 in.)	
	User-specified print size*	

* Duplex printing supports user-specified print media that are 149 mm to 215.9 mm (5.9" to 8.5" wide and 210 mm to 355.6 mm long.

Unsuitable Paper types

Avoid using the following paper types as they can cause paper jams or damage to the printer.

- Transparency sheets other than those recommended
- Ink jet paper
- Paper that is too thick or too thin
- Paper with one face already printed using another printer or copier, or paper already printed with ink
- Folded, creased or torn paper
- Damp or wet paper
- Undulated or warped paper
- Sheets adhered by static electricity
- Layered or adhesive paper
- Coated paper
- Colored paper with a treated surface
- Paper printed with ink that cannot withstand temperatures of 155°F (68°C).
- Heat-sensitive paper
- Carbon paper
- Paper with staples, paper clips, tape or ribbons attached
- Paper with a rough surface such as textured or fiber form paper
- Using acidic paper can cause the characters to fade over time. Use neutral paper to prevent this problem.
- Envelopes with a rough surface or clips attached
- Envelopes with sticky adhesive (Printing on some types of envelopes with adhesive is possible, depending on the condition of the adhesive.)
- Label sheets where the backing has peeled away or are pre-cut.



Storing Paper

Failure to properly store paper can result in paper jams, impaired print quality, or damage to the printer. Store paper under the following conditions:

- Temperature 10° to 30°C (50° to 86°F)
- In a dry place
- After opening the package, wrap unused sheets in their original package and store in a cabinet or other dry place.
- Store paper on a flat surface. Do not lean paper against other objects or place it in an upright position.
- Avoid storing paper in way that may cause creasing, folding, or curling.
- Store paper away from direct sunlight.

Loading Paper

This section explains how to load paper when the paper in the paper tray runs out.

Loading Paper in the Multipurpose Feeder

In addition to plain paper, the multipurpose feeder can use various other sizes and types of print media such as envelopes and transparencies.

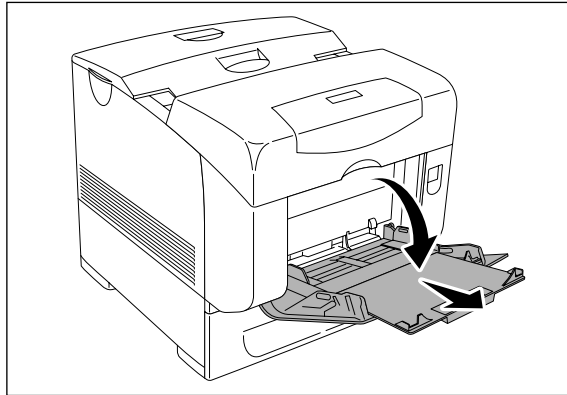
Make sure of the following points when loading paper in the multipurpose feeder.

- You can load up to 150 sheets or a stack of paper (60 g/m² to 216 g/m²) less than 15 mm (0.6") high.
- The multipurpose feeder accepts print media within the following dimensions:
 - Width: 88.9 mm to 220 mm (3.5" to 8.7")
 - Length: 139.7 mm to 355.6 mm (5.5" to 14")
- You can load paper (64 g/m² to 105 g/m²) up to 900 mm long. However, paper over 355.6 mm (14") in length has to be fed one sheet at a time and supported by hand.

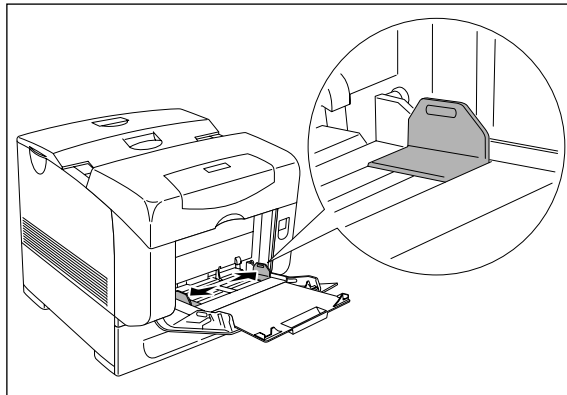
Important

- *Make sure of the following points to avoid any troubles during printing.*
- *Do not load different types of paper at the same time.*
- *Use high quality paper for laser printers to print at high quality. Refer to "Paper Handling" (P. 2-6) for details.*
- *Do not remove or add paper to the multipurpose feeder when printing or if there is any paper still in the multipurpose feeder. Doing so may cause a paper jam.*
- *Load paper printable surface facing down. Also, load the paper which you want to print on first in the top of the multipurpose feeder.*
- *Do not put any objects other than paper on the multipurpose feeder. Also, do not push or force down the multipurpose feeder.*

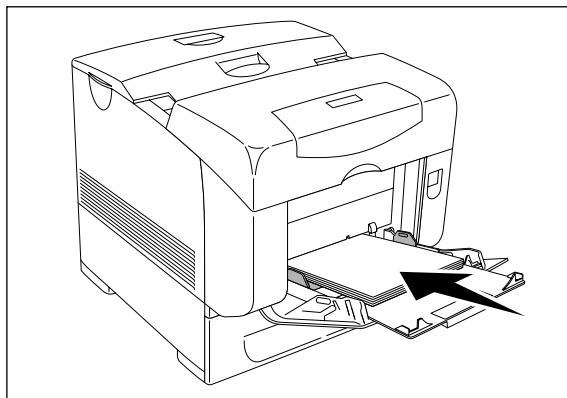
1. Gently pull open the multipurpose feeder cover, and pull out the extension tray.



2. Slide the width guides to the edge of the tray. The width guides should be fully extended.



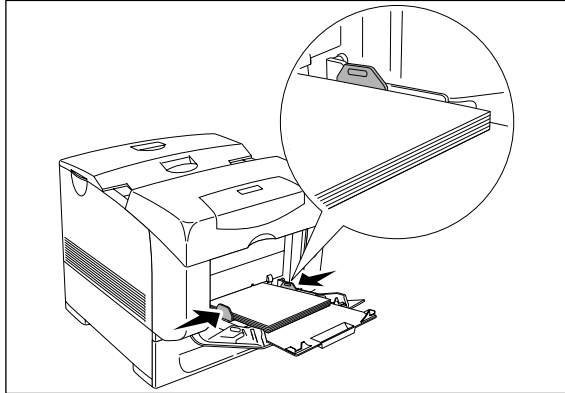
3. Insert all media face down and top edge first into the multipurpose feeder.



Important

- *Do not force the print media.*

- Slide the width guides until they rest lightly against the edge of the print media stack.

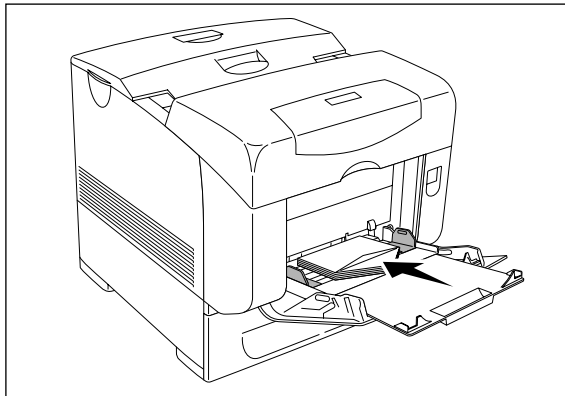


Important

- *Be careful not to bend the print media.*

Loading Envelopes in the Multipurpose Feeder

To load envelopes that are under 220 mm (8.66 inches) in width in the multipurpose feeder, insert the envelopes with the flaps open and at the rear. To load envelopes that are over 220 mm (8.66 inches) in width in the multipurpose feeder, insert the envelopes with the flaps closed and at the right side. The print side must be facing down. You can load envelopes up to the maximum fill line in the tray at one time.



Important

- *For best performance, do not use envelopes that:*
- *Have excessive curl or twist*
- *Are stuck together or damaged in any way*
- *Contain windows, holes, perforations, cutouts, embossing*
- *Use metal clasps, string ties, or metal folding bars*
- *Have an interlocking design*
- *Have postage stamps attached*
- *Have any exposed adhesive when the flap is in the sealed or closed position*
- *Have nicked edges or bent corners*
- *Have rough, cockle, or laid finishes*

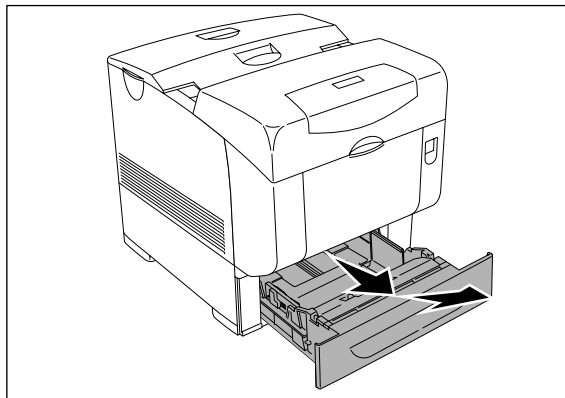
NOTE: Make sure set the envelope flaps are completely unfolded when loading envelopes that are under 220 mm in width.

Loading Paper in Paper Tray

This section describes how to load paper in the standard and optional paper trays. All trays are loaded the same way.

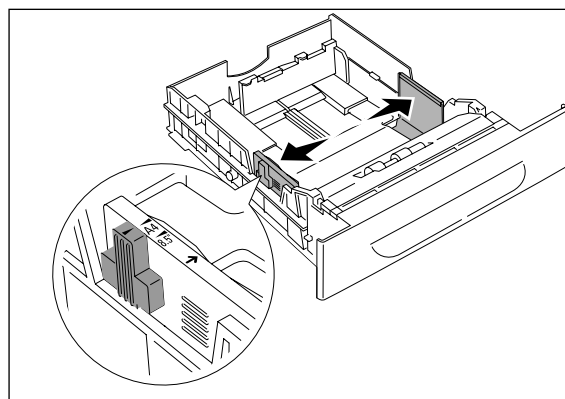
NOTE: Do not remove the tray during printing. It may cause a paper jam.

1. Pull the tray out of the printer until it stops. Hold the tray with both hands, lift the front slightly, and remove it from the printer.

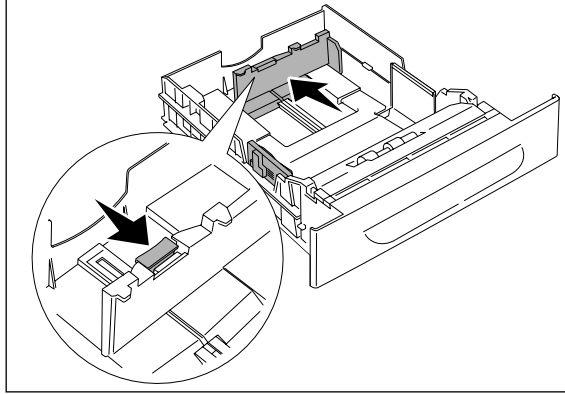


2. Slide the width guides to the edge of the tray. The width guides should be fully extended.

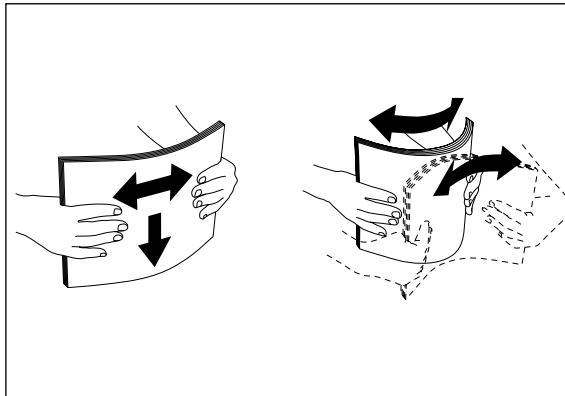
NOTE: When loading paper that is 210 mm wide such as A4 size paper, set the tab on the side of the tray to the [A4] position.



3. Squeeze the length guide and slide it to the edge of the tray.



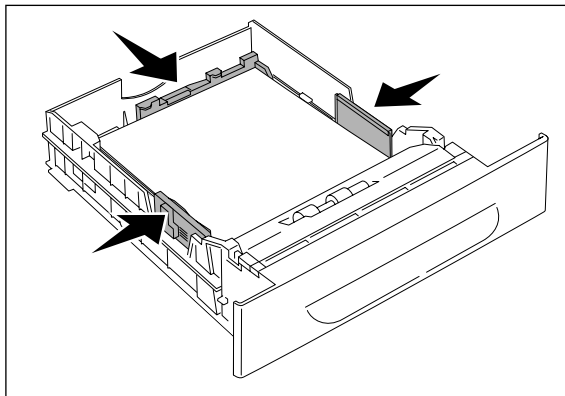
4. Before loading the print media, flex the sheets back and forth, and then fan them. Straighten the edges of the stack on a level surface.



5. Place the print media into the tray with the recommended print side face up.

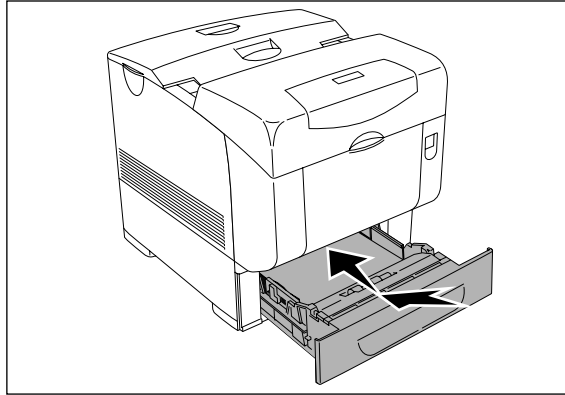
NOTE: Do not exceed the maximum fill line in the tray. Overfilling the tray may cause paper jams.

6. Slide the width guides and length guide until they rest lightly against the edge of the print media stack.



7. Insert the tray into the printer, and push until it stops.

NOTE: Do not use excessive force on the tray. Doing so could damage the tray or the inside the printer.



Cleaning the Printer

This section describes how to clean the printer in order to maintain the printer in good condition and print clean printouts all the time.

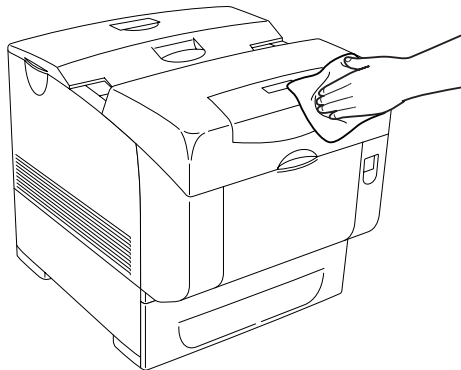
⚠ CAUTION

- Be sure to switch off and unplug the machine before accessing the interior of the machine for cleaning, maintenance, or fault clearance. Access to a live machine's interior can cause electric shock.
-

Cleaning the exterior

Clean the exterior of the printer about once a month. Wipe the surface with a damp, well-wrung soft cloth. Then wipe with another dry soft cloth. For stubborn stains, moisten a soft cloth with a small amount of neutral detergent, and gently wipe the stain off.

NOTE: Do not spray the detergent directly on the printer. The liquid detergent may enter the printer through a gap and cause problems. Never use cleaning agents other than neutral detergent.



Cleaning the interior

After clearing paper jams or replacing the Toner Cartridge, inspect the interior of the printer before closing the top cover.

⚠ CAUTION

- Never touch areas labeled as "High Voltage." You can get an electric shock.
 - Never touch a labeled area found on or near the heat roller. You can get burnt. If a sheet of paper is wrapped around the heat roller, do not try to remove it by yourself to avoid injuries or burns. Switch off the machine immediately, and contact our Printer Support Desk.
-

- Remove any remaining pieces of paper.
- Remove any dust or stains with a dry clean cloth.

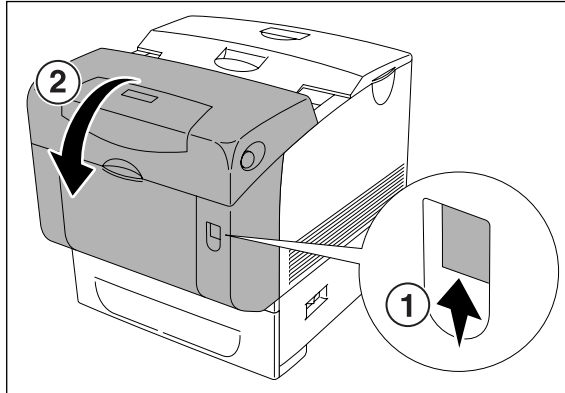
Cleaning the Density Sensor

When the printer's density sensor is dirty, follow the procedure below to clean it.

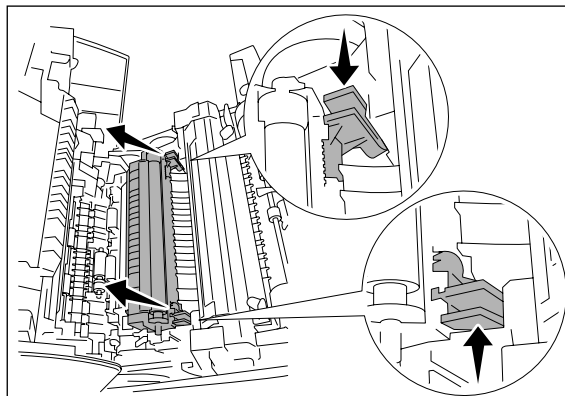
⚠ CAUTION

- Do not touch the edge of the plate at the upper side of the transfer roll cartridge because it is sharp.
-

1. Turn off the printer.
2. Push up the button 1 and fully open the front cover 2.

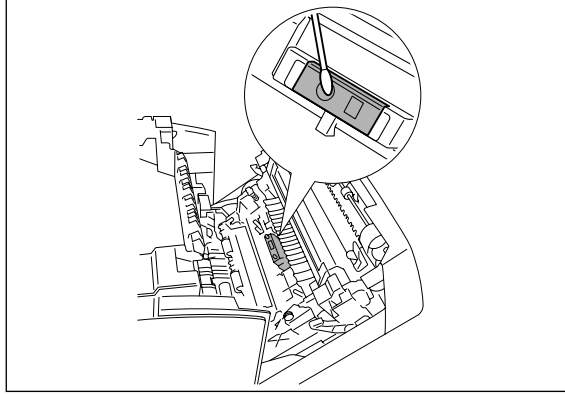


3. Grip the tabs at both ends of the transfer roll cartridge and gently lift it out of the printer.



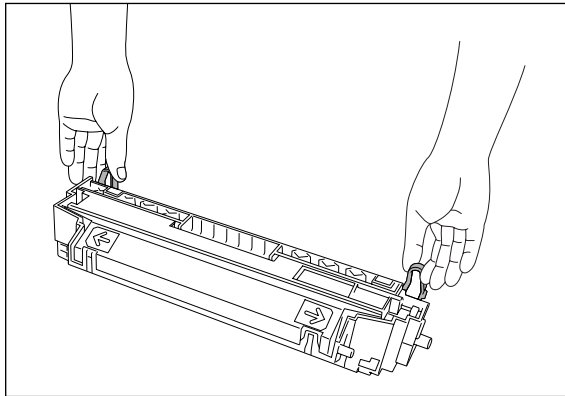
NOTE: Do not touch inside the printer with your hands. Some parts may be hot. Allow time for the printer to cool before attempting to remove parts in this area.

4. Gently wipe the density sensor window with a clean dry cloth or cotton swab.

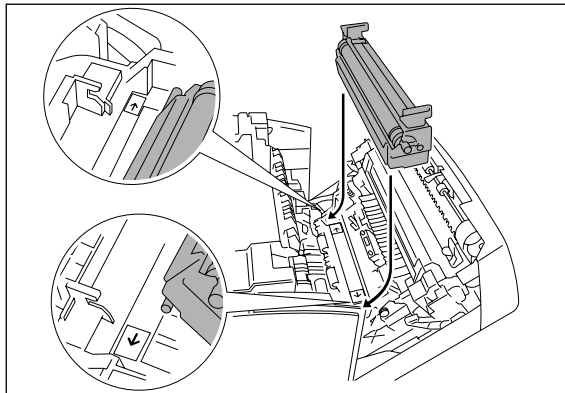


NOTE: Do not allow anything hard to come in contact with the density sensor window. Do not use excessive force to clean the window.

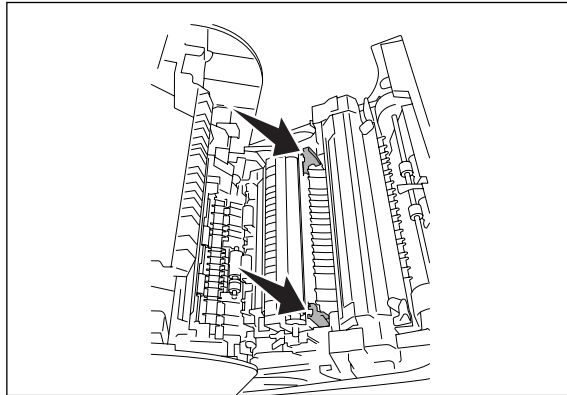
5. Replace the transfer roll cartridge. Grip the tabs as shown in the diagram.



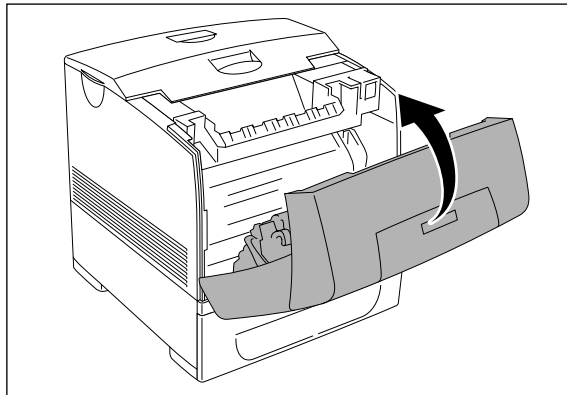
6. Align the arrow marks on the transfer roll cartridge to the marks on the printer, and gently push the roller into the printer.



7. To lock the transfer roll cartridge into the printer push down the tabs until you hear a click.



8. Close the front cover.



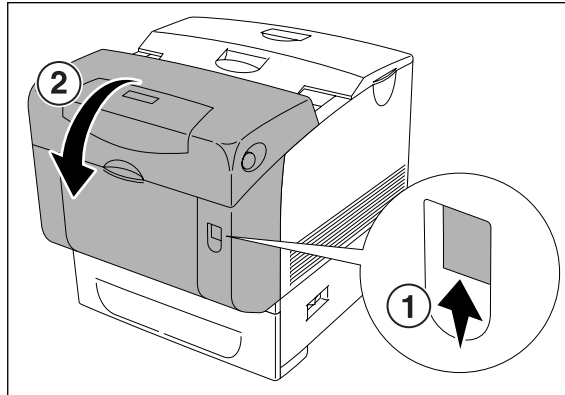
9. Turn on the printer.

Cleaning the Drum Cartridge

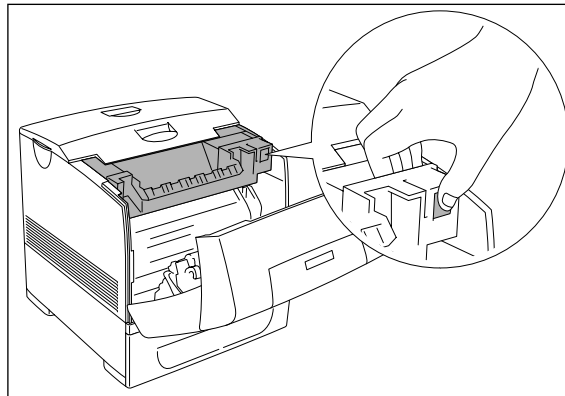
When the colored dots appears on the printed paper at regular intervals (about 30 mm), clean the drum cartridge as following procedure.

NOTE: Remove any print jobs from the center output tray, close the multipurpose feeder cover before opening the front cover.

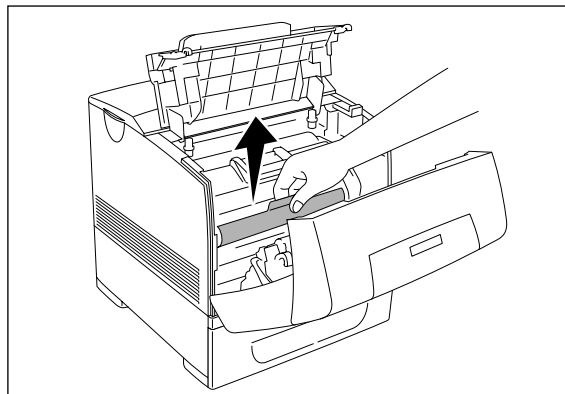
1. Push up the button 1 and fully open the front cover 2.



2. Push the button as shown in the diagram and open the output tray cover.



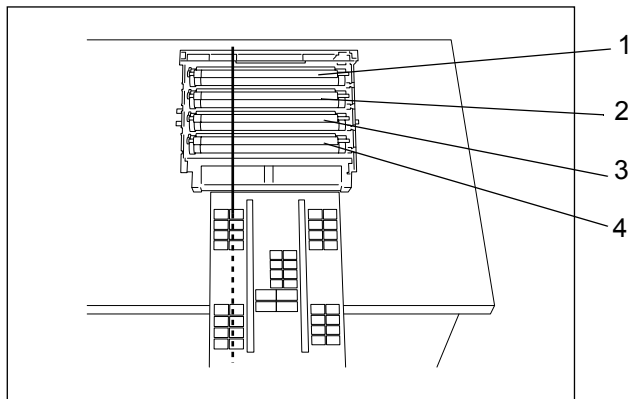
3. Grab the drum cartridge by the handle, and pull it up and out.



⚠ CAUTION

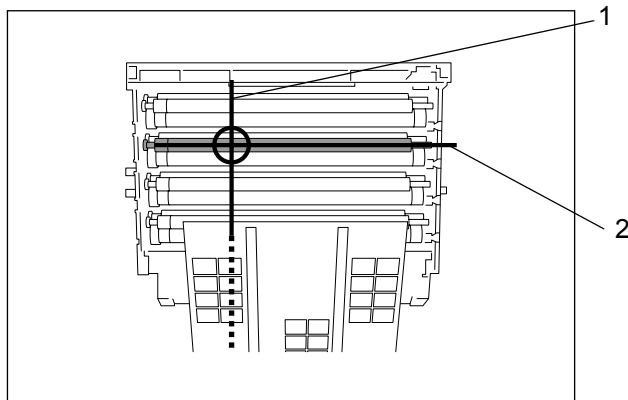
- Do not touch inside the printer with your hands. Some parts may be hot. Allow time for the printer to cool before attempting to remove parts in this area.
-

4. Place the drum cartridge next to the print sample on which the colored dots appear to find the part that needs to be cleaned.



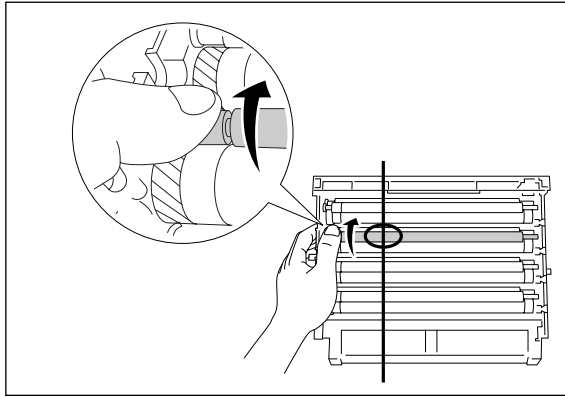
NOTE: -You must find the part to be cleaned yourself.
-The illustration shows the parts, one to four, to be cleaned.
-To prevent the light-sensitive drum being overexposed, do the operation quickly.

5. Align the colored dots printed on the print sample with the corresponding part of the drum cartridge. 1 indicates the lateral position of the colored dots. 2 indicates the color of the colored dots.

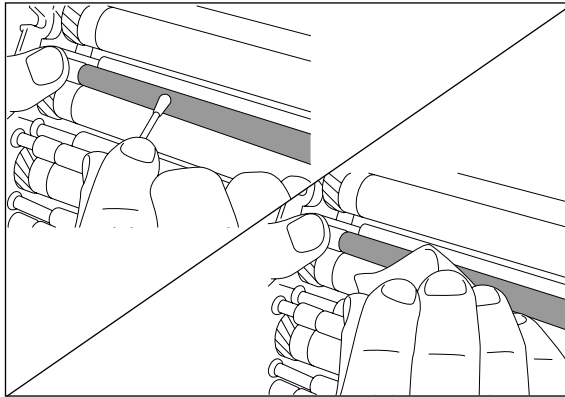


NOTE: The graphic shows an example with magenta colored dots.

- Determine the position where colored dots were printed. Then turn the gray-colored part on the charge roll (black-colored roller) by rolling it with your finger on its left side to find the dirt.



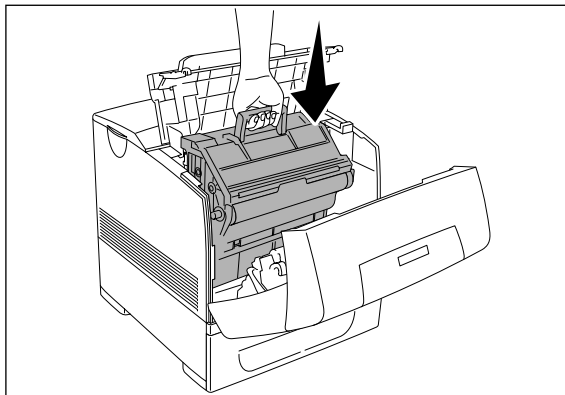
- Clean any dirt from the roller.



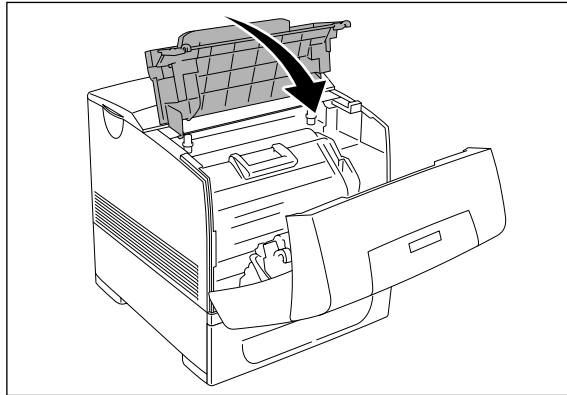
NOTE: Use a soft cloth, such as cotton for cleaning.

NOTE: Make sure nothing touches or scratches the surface of the light-sensitive drum (green-colored roller) or the charge roll (black-colored roller).

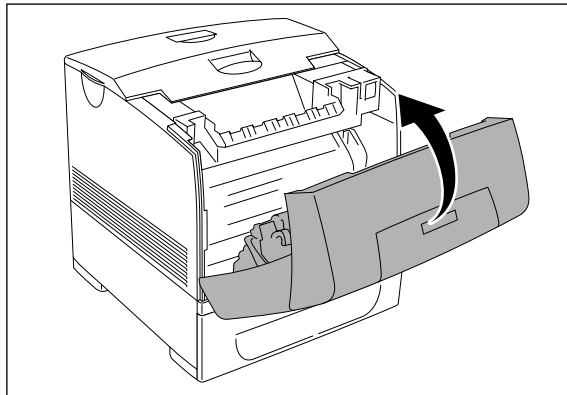
- Replace the drum cartridge. Holding the drum cartridge by the handle with the flat part facing the back of the printer, align the plastic guides on both sides of the drum cartridge with the slots in front of the arrows on the printer.



9. Close the output tray cover.



10. Close the front cover.



Moving the Printer

Before transporting the printer by car or truck over long distances, follow the procedure below to prevent strong vibrations from damaging the printer.

Carry out the following procedure when moving the printer.

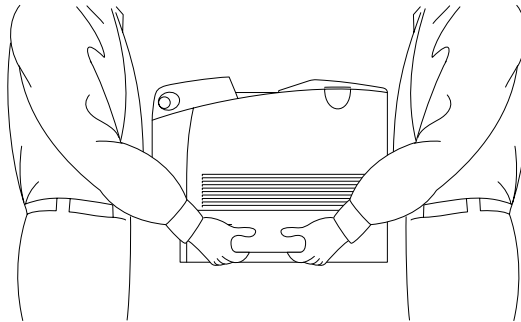
CAUTION

- Bend your knees when lifting the printer to avoid back injuries.
-

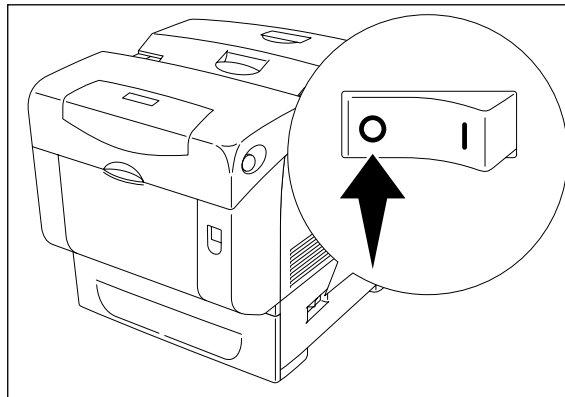
Important

- *The weight of this printer, without the optional accessories, consumables (drum cartridge) and paper, is 31.5 kg (70 lb). If the optional tray module has been installed, uninstall it before moving the printer. Otherwise, they may fall to the ground and cause injuries. Refer to "Optional Accessories" on page 6-1 for details on uninstalling the optional accessories.*
- *To lift the printer safely, remove the drum cartridge and lift it with two people.*

When lifting the printer, there should be 2 persons, one in front and one behind the printer, to firmly grip the recessed areas provided on both sides of the printer. Never try to lift the printer by gripping any other areas. Lifting the printer by gripping any other areas can cause the printer to fall and result in injuries.



1. On the right side of the printer, press <O> on the power switch to turn off the printer.



2. Disconnect the power cord, interface cable, and any other cables.

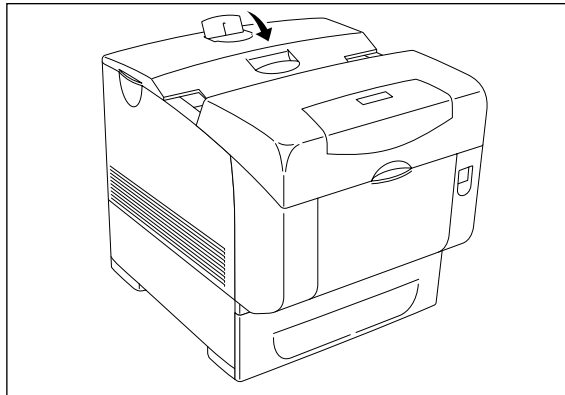
⚠ WARNING

- To prevent electric shock, never touch the power plug with wet hands.
-

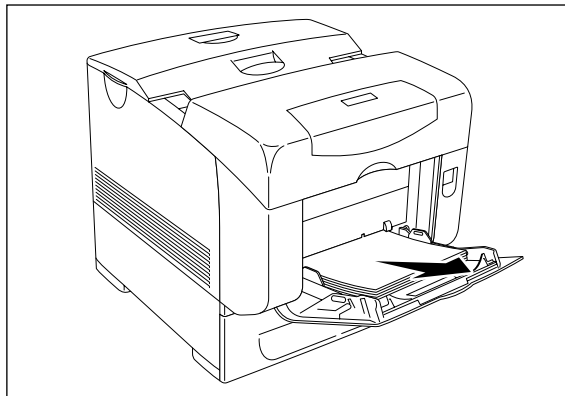
⚠ CAUTION

- When removing the power cord, make sure that you pull the plug and not the cord. Pulling the cord can damage it, which can lead to fire or electrical shock.
-

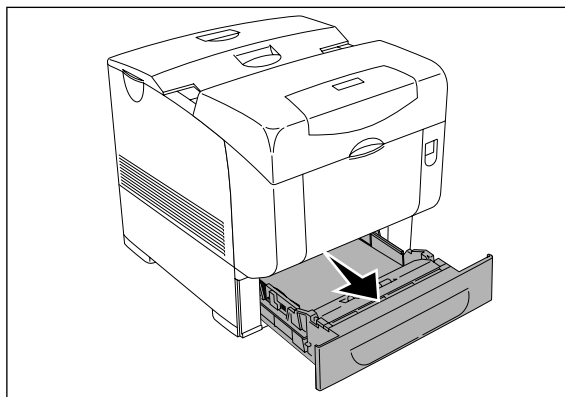
3. Remove any paper in the center output tray and return the paper stopper to its original position, if it is extended.



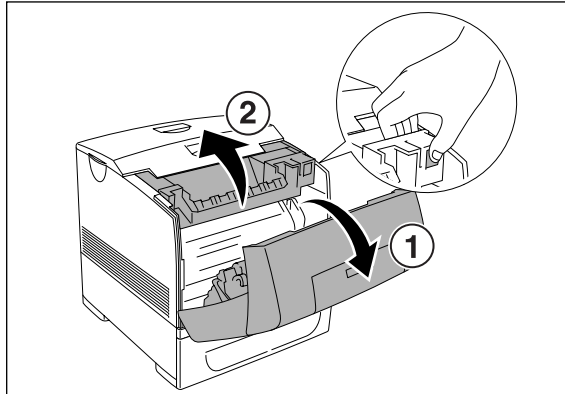
4. Remove any paper in the multipurpose feeder. Keep the paper wrapped and away from humidity and dirt.



5. Pull out the paper tray from the printer and remove any paper in the tray. Keep the paper wrapped and away from humidity and dirt.



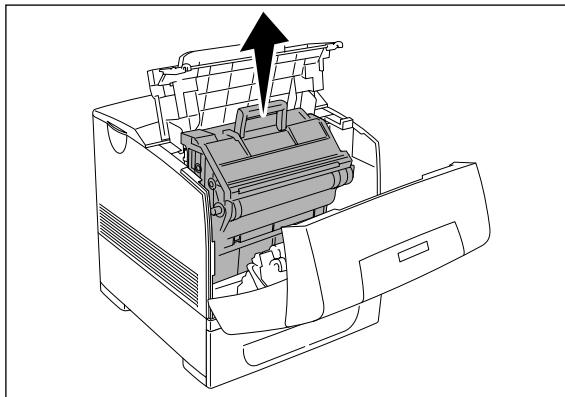
6. Push up the button and fully open the front cover **1**, then press the button as shown in the diagram and open the output tray cover **2**.



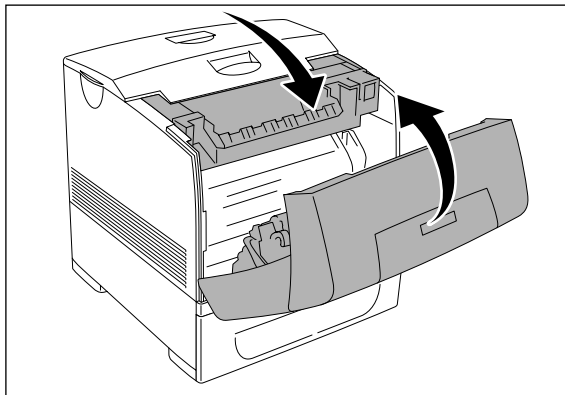
7. Grab the drum cartridge by the handle, and pull it up and out.

Important

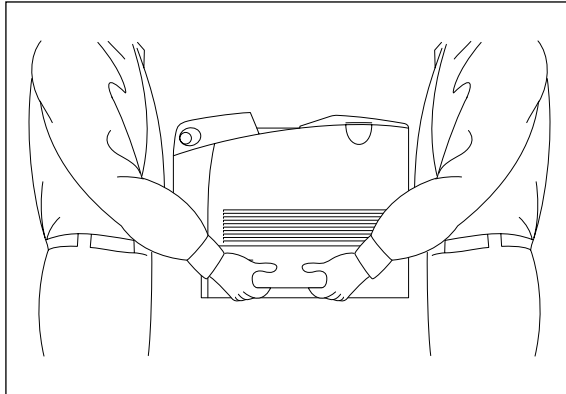
- Do not touch inside the printer with your hands. Some parts may be hot.



8. Close the output tray cover and the front cover.



9. Lift the printer and move it gently. If the printer is to be moved over a long distance, pack it inside a box.



10. After transporting the printer, adjust the color registration before using it.



Chapter 3

Troubleshooting

In this Chapter . . .

- “Dealing With Problems” on page 3-2
- “Cannot Print” on page 3-3
- “Print Quality Problems” on page 3-4
- “Other Problems” on page 3-12
- “Warning Messages and Error Messages” on page 3-13
- “Warning Messages” on page 3-13

Dealing With Problems

When your printer suffers from a problem, refer to one of the four categories below to determine the cause of your problem, and the action needed to rectify it.

- Power problems
- Print quality problems
- Paper transport problems
- Other problems

If your problem is not included in these categories or if you cannot rectify the problem using the prescribed procedures, turn off the printer, disconnect the power cord from the AC outlet, and contact your dealer or a Customer Service Center for assistance.

⚠ WARNING

- Do not make any changes or modifications to the equipment, as this may result in fire.
-

⚠ CAUTION

- Turn off the printer and disconnect the power cord from the AC outlet before performing maintenance on the printer. Failure to turn off the printer and disconnect the power cord may result in electric shock.
-



Power Problems

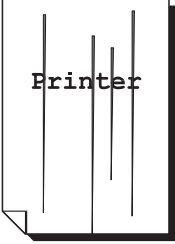
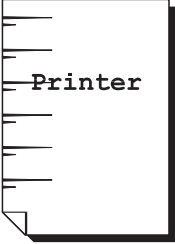


Description	Cause	Action
No power	The < I > mark of the power switch is not depressed.	Check that the power switch is in the < I > position.
	The power cord is not properly connected to the AC outlet.	Turn off the unit, confirm that the power cord is properly connected to the AC outlet, and turn the unit back on.
	The AC power supply's voltage is not suitable for use with the unit.	Confirm that the printer is connected to a suitable power supply.
The unit turns off frequently	The printer is defective.	Turn off the unit, disconnect the power cord from the AC outlet, and contact your dealer or a Customer Service Center for assistance.
	The power cord is not properly connected to the AC outlet.	Turn off the unit, confirm that the power cord is properly connected to the AC outlet, and turn the unit back on.

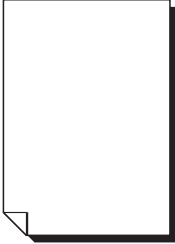
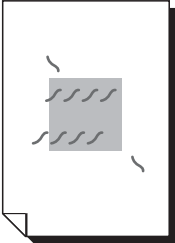

Cannot Print


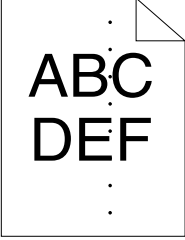
Status	Items to check	Action
Print instruction was sent but processing did not start.	Is the error indicator lit? Is the error indicator blinking? Is the print-ready indicator off?	Carry out the action according to the status of the indicator.
	Is there any message displayed on the control panel?	Check the message, then carry out the action.
	Is there any message displayed in the computer?	Check the message, then carry out the action.


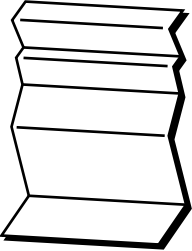

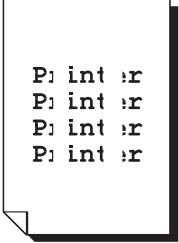
Print Quality Problems


Description	Cause	Action
<p>Faded printouts</p> 	The media is outside the recommended specification range.	<p>Replace the media with a recommend size and type, and confirm that your printer driver settings are correct.</p> <p>Refer to</p> <ul style="list-style-type: none"> • “Paper Handling” on page 2-6
	The paper is damp.	<p>Replace the paper.</p> <p>Refer to</p> <ul style="list-style-type: none"> • “Paper Handling” on page 2-6
	The drum cartridge or transfer roll cartridge is old or damaged.	<p>Replace the drum cartridge or transfer roll cartridge.</p> <p>Refer to</p> <ul style="list-style-type: none"> • “Drum Cartridge” on page 5-9 • “Transfer Roll Cartridge” on page 5-13
	The high-voltage supply is defective.	Contact your dealer or a Customer Service Center for assistance.
	The development unit is damaged.	Contact your dealer or a Customer Service Center for assistance.
<p>Stray black dots or white areas (drop outs)</p> 	The paper is outside the recommended specification range.	<p>Replace the paper with a recommend size and type, and confirm that your printer driver settings are correct.</p> <p>Refer to</p> <ul style="list-style-type: none"> • “Paper Handling” on page 2-6
	The drum cartridge or transfer roll cartridge is old or damaged.	<p>Replace the drum cartridge or transfer roll cartridge.</p> <p>Refer to</p> <ul style="list-style-type: none"> • “Drum Cartridge” on page 5-9 • “Transfer Roll Cartridge” on page 5-13
	The development unit is damaged.	Contact your dealer or a Customer Service Center for assistance.

Description	Cause	Action
<p>Vertical black or color streaks</p> 	<p>The drum cartridge, transfer roll cartridge, or fuser unit is old or damaged.</p>	<p>Check the condition of the drum cartridge, transfer roll cartridge and fuser unit, and replace as necessary.</p> <p>Refer to</p> <ul style="list-style-type: none"> • “Drum Cartridge” on page 5-9 • “Transfer Roll Cartridge” on page 5-13 • “Fuser Unit” on page 5-16
<p>Recurring smudges</p> 	<p>Dirt in the paper path.</p> <p>The drum cartridge, transfer roll cartridge, or fuser unit is old or damaged.</p>	<p>Print several blank sheets.</p> <p>Check the condition of the drum cartridge, transfer roll cartridge and fuser unit, and replace as necessary.</p> <p>Refer to</p> <ul style="list-style-type: none"> • “Drum Cartridge” on page 5-9 • “Transfer Roll Cartridge” on page 5-13 • “Fuser Unit” on page 5-16
<p>Ink smears when rubbed</p> 	<p>The paper is damp.</p> <p>The paper is outside the recommended specification range.</p> <p>The fuser unit is old or damaged.</p>	<p>Replace the paper.</p> <p>Refer to</p> <ul style="list-style-type: none"> • “Paper Handling” on page 2-6 <p>Replace the paper with a recommend size and type, and confirm that your printer driver settings are correct.</p> <p>Refer to</p> <ul style="list-style-type: none"> • “Paper Handling” on page 2-6 <p>Replace the fuser unit.</p> <p>Refer to</p> <ul style="list-style-type: none"> • “Fuser Unit” on page 5-16
<p>Black pages</p> 	<p>The drum cartridge is old or damaged.</p> <p>The high-voltage supply is defective.</p>	<p>Replace the drum cartridge.</p> <p>Refer to</p> <ul style="list-style-type: none"> • “Drum Cartridge” on page 5-9 <p>Contact your dealer or a Customer Service Center for assistance.</p>

Description	Cause	Action
<p>Blank pages</p> 	<p>Two or more sheets may be feeding at once.</p>	<p>Remove the paper stack from the tray, fan it, and reinsert it.</p>
	<p>The drum cartridge or transfer roll cartridge is old or damaged.</p>	<p>Replace the drum cartridge or transfer roll cartridge.</p> <p>Refer to</p> <ul style="list-style-type: none"> • “Drum Cartridge” on page 5-9 • “Transfer Roll Cartridge” on page 5-13
	<p>The high-voltage supply is defective.</p>	<p>Contact your dealer or a Customer Service Center for assistance.</p>
	<p>The development unit is damaged.</p>	<p>Contact your dealer or a Customer Service Center for assistance.</p>
<p>Hair-like marks appear in or around black half-tone printing</p> 	<p>The paper was left unwrapped for a long time (especially in a dry environment).</p>	<p>Replace the paper.</p> <p>Refer to</p> <ul style="list-style-type: none"> • “Paper Handling” on page 2-6
	<p>The paper is outside the recommended specification range.</p>	<p>Replace the paper with a recommend size and type, and confirm that your printer driver settings are correct.</p> <p>Refer to</p> <ul style="list-style-type: none"> • “Paper Handling” on page 2-6
<p>Shadows appear around areas of dense black printing</p> 	<p>The transfer roll cartridge is old or damaged.</p>	<p>Replace the transfer roll cartridge.</p> <p>Refer to</p> <ul style="list-style-type: none"> • “Transfer Roll Cartridge” on page 5-13

Description	Cause	Action
<p>Color around the edge of printing is incorrect</p> 	<p>The color registration is incorrect.</p>	<p>Adjust the color registration.</p> <p>Refer to</p> <ul style="list-style-type: none"> • <i>“Adjusting Colour Alignment” on page 1-21</i>
<p>Colored dots are printed at regular intervals (about 30 mm/1.2")</p> 	<p>The drum cartridge is dirty.</p>	<p>Clean the drum cartridge.</p> <p>Refer to</p> <ul style="list-style-type: none"> • <i>“Cleaning the Drum Cartridge” on page 2-21</i>

Description	Cause	Action
<p>Partial blanks, creased paper or blotted printing</p>   	<p>The paper is damp.</p>	<p>Replace the paper.</p> <p>Refer to</p> <ul style="list-style-type: none"> • "Paper Handling" on page 2-6
	<p>The paper is outside the recommended specification range.</p>	<p>Replace the paper with a recommend size and type.</p> <p>Refer to</p> <ul style="list-style-type: none"> • "Paper Handling" on page 2-6
	<p>The transfer roll cartridge or fuser unit is not installed correctly.</p>	<p>Reinstall the transfer roll cartridge and/or fuser unit.</p> <p>Refer to</p> <ul style="list-style-type: none"> • "Transfer Roll Cartridge" on page 5-13 • "Fuser Unit" on page 5-16
	<p>Condensation inside the printer causes partial blanks or creased paper.</p>	<p>Turn the printer on and leave it one hour at least to get rid of the condensation. If the problems still occur, contact your dealer or a Customer Service Center for assistance.</p>
<p>Vertical blanks</p> 	<p>The drum cartridge is not installed correctly.</p>	<p>Reinstall the drum cartridge.</p> <p>Refer to</p> <ul style="list-style-type: none"> • "Drum Cartridge" on page 5-9
	<p>The drum cartridge, transfer roll cartridge, or fuser unit is old or damaged.</p>	<p>Check the condition of the drum cartridge, transfer roll cartridge and fuser unit, and replace as necessary.</p> <p>Refer to</p> <ul style="list-style-type: none"> • "Drum Cartridge" on page 5-9 • "Transfer Roll Cartridge" on page 5-13 • "Fuser Unit" on page 5-16
	<p>The development unit is damaged.</p>	<p>Contact your dealer or a Customer Service Center for assistance.</p>

Description	Cause	Action
<p>Slanted printing</p> 	<p>The paper guides in the paper tray or multipurpose feeder are not set correctly.</p>	<p>Reset the paper guides in the paper tray or multipurpose feeder.</p> <p>Refer to</p> <ul style="list-style-type: none"> • “Loading Paper in Paper Tray” on page 2-14

Printing Is Not Clear

Status	Items to check	Action
Transparencies are not printed clearly.	Are the correct type of transparencies used?	Load the correct type of transparencies. Refer to <ul style="list-style-type: none"> • “Special Media” on page 2-7
Postcards are not printed clearly.	Are the correct type of postcards used?	Load the correct type of postcards. Refer to <ul style="list-style-type: none"> • “Special Media” on page 2-7
	Are the postcards correctly loaded in the paper tray?	Load the postcards correctly in the paper tray.
Envelopes are not printed clearly.	Are the correct type of envelopes used?	Load the correct type of envelopes. Refer to <ul style="list-style-type: none"> • “Loading Envelopes in the Multipurpose Feeder” on page 2-13
	Are the envelopes correctly loaded in the paper tray?	Load the envelopes correctly in the paper tray.

Paper Transport Problems

Description	Cause	Action
Paper does not feed Paper jams Several sheets feed at once Paper does not feed straight	The paper is not loaded correctly.	Reload the paper in the paper tray or multipurpose feeder. Refer to <ul style="list-style-type: none"> • <i>“Loading Paper in Paper Tray” on page 2-14</i>
	The paper is outside the recommended specification range.	Replace the paper with a recommend size and type. Refer to <ul style="list-style-type: none"> • <i>“Paper Handling” on page 2-6</i>
	The paper is damp.	Replace the paper. Refer to <ul style="list-style-type: none"> • <i>“Paper Handling” on page 2-6</i>
	There is paper jammed in the printer.	Remove the jammed paper. Also, inspect the inside of the printer and thoroughly remove any tape or adhesive stuck to the rollers and other components along the paper path. Refer to <ul style="list-style-type: none"> • <i>“Clearing Paper Jams” on page 4-2</i>
	The printer is not level.	Reposition the printer on a flat, stable surface.
	The printer is defective.	Turn off the unit, disconnect the power cord from the AC outlet, and contact your dealer or a Customer Service Center for assistance.

Other Problems

⚠ WARNING

- Do not try to alter the machine configuration, or modify any parts. An unauthorized modification can cause smoke or fire.
-

⚠ CAUTION

- Be sure to switch off and unplug the machine before accessing the interior of the machine for cleaning, maintenance, or fault clearance. Access to a live machine's interior can cause electric shocks.
-

Description	Cause	Action
Unusual noises	The printer is not level.	Reposition the printer on a flat, stable surface. Refer to <ul style="list-style-type: none">• <i>Safety Notes</i>
	The paper tray is not inserted properly.	Push the paper tray completely into the printer.
	There is a foreign object inside the printer.	Turn off the printer and remove the foreign object. If you need to disassemble the printer to remove the foreign object(s), contact your dealer or a Customer Service Center for assistance.

Warning Messages and Error Messages

The control panel display shows a warning message or error message when there is a problem with the printer. Some messages indicate routine status conditions such as an empty paper tray, while others indicate that a sheet of paper has jammed in a specific area of the printer. Some messages indicate more serious printer problems that may require the help of a service technician.

Warning messages use only the second line of the display and indicate conditions that do not prevent the printer from operating. For example, if Tray 2 is out of paper but the printer is currently drawing paper from Tray 3, a warning message will appear on the second line of the display indicating that Tray 2 is out of paper—but the printer will continue to operate, drawing paper from Tray 3.

Error messages use both lines of the display and indicate conditions that prevent the printer from operating. The first line of an error message contains the error code and type of error, while the second line of the display contains information about the action required to recover from the error.

When the control panel displays a warning or error message, refer to the following tables and complete the actions recommended for the specific message that is shown.

Warning Messages

The following table lists warning messages, possible causes, and the actions required to correct each cause.

Warning Message Line 2 of display	Possible Cause	Action
Paper Out Tray [x]	There is no paper in tray [x].	Add paper to the tray [x].
Calibrating ...	Printing is performing a self calibration	No action reqd. Information message only
Fuser EOL Near	Fuser unit needs to be replaced soon	Replace the fuser unit shortly
BTR EOL Near	BTR unit needs to be replaced soon	Replace the BTR unit shortly
PDH EOL Near	PHD (process) unit needs to be replaced soon	Replace the PHD unit shortly
Toner Low [x]	The toner [x] is low.	Replace the toner [x] cartridge soon.
Dev [x] life Warning	Developer [x] needs to be replaced soon	Replace the developer unit shortly
Maintenance Req'd.	Printer has printed 300,000 pages	Call for service

Error Messages

The table below lists error messages, the possible causes of each error, and the actions required to recover from each error.

Error Message	Possible Cause	Action
Load Paper Tray [x] [type] [size]	There is no paper or wrong paper in tray [x]	Add correct paper type to corresponding tray
Tray [x] Missing Insert Tray	Tray [x] is out of printer	Insert the corresponding tray into printer
Front Cover Open Close Cover	The front cover is open	Close the front cover
Feed Jam Check Tray [x]	A paper jam has occurred in tray [x]	Remove jammed paper from corresponding tray
Registration Jam Open Cover A	A paper jam has occurred inside of printer	Open cover A and remove the jammed paper
Registration Jam Open Cover B	A paper jam has occurred inside of printer	Open cover B and remove the jammed paper
Fuser Jam Open Cover B	A paper jam has occurred inside the printer	Open cover B and remove the jammed paper
Duplex Jam Open Cover B	A paper jam has occurred inside the printer	Open cover B and remove the jammed paper
Fuser Missing Install Fuser	The fuser is missing from the printer	Re-install the fuser
BTR Missing Install BTR	The BTR is missing from the printer	Re-install the BTR
PHD Missing Install PHD	The process unit is missing from the printer	Re-install the PHD (process) unit
Toner [x] Missing Install Toner [x]	Toner cartridge [x] is missing	Re-install the corresponding toner cartridge
Fuser Life Over Replace Fuser	The fuser unit needs to be replaced	Replace the fuser unit
BTR Life Over Replace BTR	The BTR unit needs to be replaced	Replace the BTR unit
PHD Life Over Replace PHD	The process unit needs to be replaced	Replace the PHD (process) unit.
Toner [x] Empty Replace Toner	Toner cartridge [x] is empty	Replace toner cartridge [x]
Fuser Type Err Install / Reset	Wrong fuser unit installed	Re-install or replace with correct fuser
Fuser Type Err Install / Reset	Wrong fuser unit installed	Re-install or replace the fuser unit

Error Message	Possible Cause	Action
PHD Type Err Install / Reset	Wrong PHD (process) unit installed	Re-install or replace the PHD unit
Toner [x] Type Err Install / Reset	Wrong Toner [x] cartridge installed	Re-install or replace the toner cartridge
CRUM ID: Fuser Replace Fuser	Wrong Fuser unit installed	Replace with correct fuser
CRUM ID: PHD Replace PHD	Wrong PHD installed	Replace with the correct PHD
CRUM ID Error: [x] Replace Toner	Wrong Toner cartridge [x] installed	Replace with the correct toner cartridge
CRUM Failure: [x] Replace Toner	CRUM unit faulty	Replace toner cartridge [x]
[x] Tape Remaining Check Toner	Toner cartridge [x] tape not removed	Remove tape from cartridge
CTD Sensor Dusty Clean CTD Sensor	Toner density sensor is dusty	Clean the toner density sensor
Fuser ID Warning Install / Reset	Fuser CRUM faulty	Re-install or replace fuser unit
PHD ID Warning Install / Reset	PHD CRUM faulty	Re-install or replace the PHD unit
Toner [x] ID Warning Replace / Reset	Toner [x] CRUM faulty	Re-install or replace the Toner cartridge
Dev [x] Life Over Install / Reset	Developer [x] needs to be replaced	
Out of Memory Press Start	Insufficient memory to complete job	Add more memory
Clock Not Set Press Start	Real time Clock not set	Set the time and date
Error: You Must Turn DHCP Off	Trying to set IP address with DHCP turned on	Turn off DHCP before manually setting IP address
IPADDR Collision Press Start	IP packet collision	Press start to continue
NVRAM Error xx Press Start	Memory problem	Press start to continue
Ready Maintenance Req'd.	Printer has printed 300,000 pages	Call for service
ROS Failure Call Service	ROS faulty	Call for service

Error Message	Possible Cause	Action
Fuser Failure Call Service	Fuser unit faulty	Call for service
MCU/NVRAM Error Call Service	Problem with engine controller board	Call for service
CTD Sensor Error Call Service	CTD sensor faulty	Call for service
MCU SW Error Call Service	Problem with engine controller board	Call for service
Env Sensor Error Call Service	Envelope sensor faulty	Call for service
Low Density Error Call Service	Toner supply error	Call for service
Main Motor Fail Call Service	Main motor faulty	Call for service
Dev Motor Fail Call Service	Developer motor faulty	Call for service
Fuser Motor Fail Call Service	Fuser motor faulty	Call for service



Chapter 4

Clearing Paper Jams

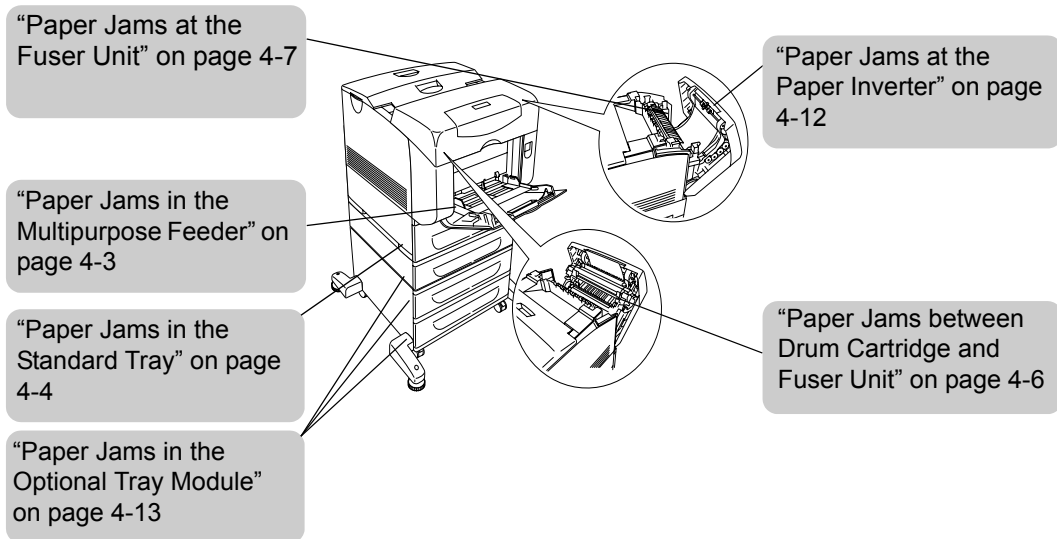
In this Chapter . . .

- “Clearing Paper Jams” on page 4-2
- “Paper Jams in the Multipurpose Feeder” on page 4-3
- “Paper Jams in the Standard Tray” on page 4-4
- “Paper Jams between Drum Cartridge and Fuser Unit” on page 4-6
- “Paper Jams at the Fuser Unit” on page 4-7
- “When Long Paper Jams” on page 4-11
- “Paper Jams at the Paper Inverter” on page 4-12
- “Paper Jams in the Optional Tray Module” on page 4-13

Clearing Paper Jams

If a paper jam occurs, refer to the illustration below to select the appropriate corrective action and clear the paper the paper jam immediately.

NOTE: The illustration below shows the printer with the optional 550 sheet and 1100 sheet tray modules are installed.



⚠ CAUTION

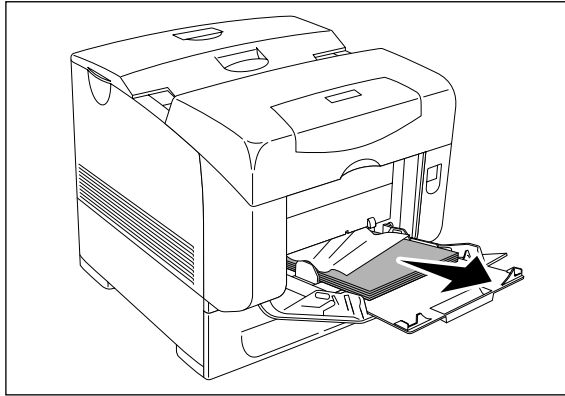
- Never touch areas labeled as "High Voltage". You can get an electric shock.
- Never touch a labeled area found on or near the heat roller. You can get burnt. If a sheet of paper is wrapped around the heat roller, do not try to remove it by yourself to avoid injuries or burns. Switch off the machine immediately, and contact our Printer Support Desk.

NOTE: Paper jams can be caused by incorrect printer installation or by using unsuitable or low-quality paper. For information about paper, refer to "Paper Handling" (P. 2-6). Refer to "Printer Location Requirements" (P. 1-4) and install the printer at the proper place.

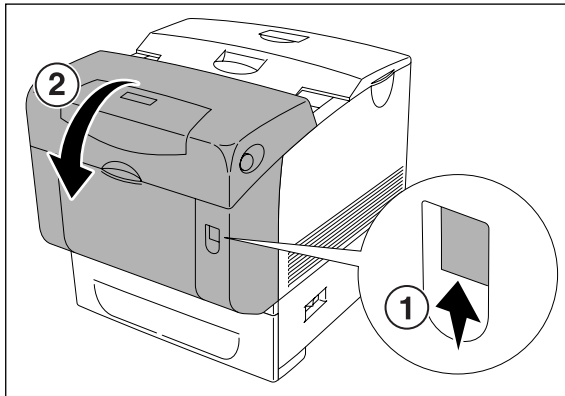
Paper Jams in the Multipurpose Feeder

Follow the procedure below to remove paper jammed in the multipurpose feeder.

1. Pull the jammed paper out of the multipurpose feeder, and remove any remaining paper from the multipurpose feeder.



2. Close the multipurpose feeder once.
3. Push up the button **1** and fully open the front cover **2**. Confirm that there are no scraps of paper remaining inside the printer.

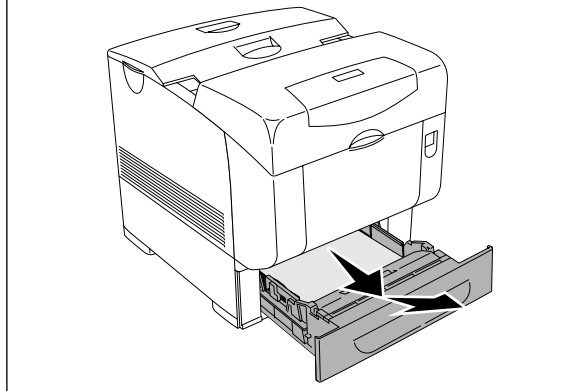


4. Close the front cover.

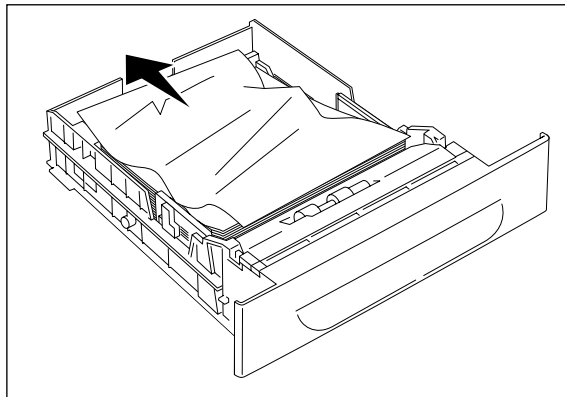
Paper Jams in the Standard Tray

Follow the procedure below to remove paper jammed in the standard tray.

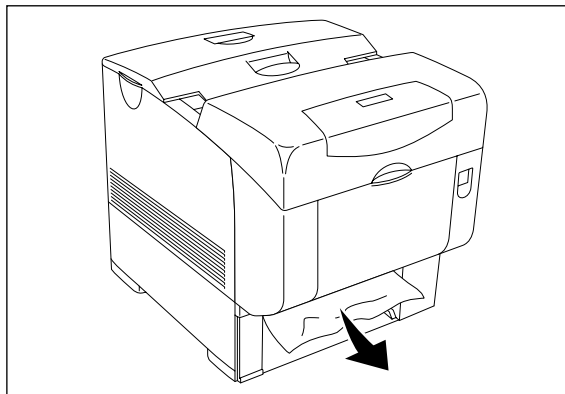
1. Slowly, completely remove the tray from the printer.



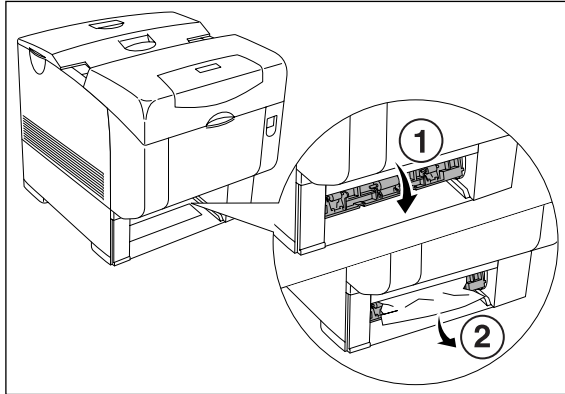
2. Remove all the jammed and/or creased paper from the tray.



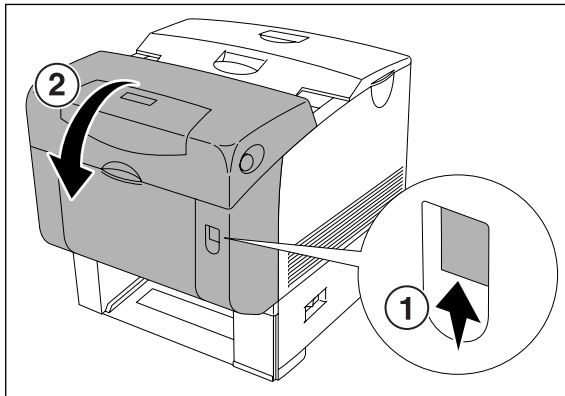
3. If there is jammed paper remaining inside the printer, pull it out carefully to avoid tearing it.



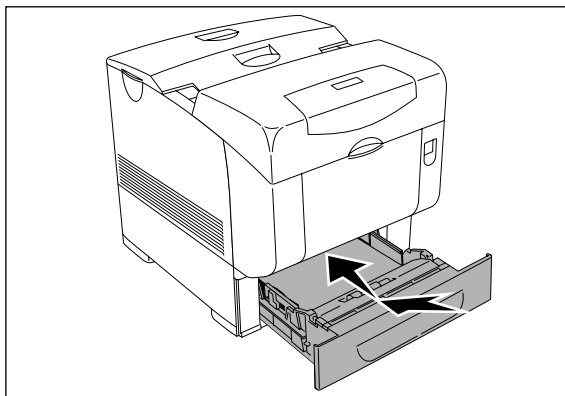
4. If jammed paper cannot be found, pull down the green cover along the top of the hole where the tray cartridge was in the printer, and pull the jammed paper out carefully.



5. Push up the button **1** and fully open the front cover **2**. Confirm that there are no scraps of paper remaining inside the printer.



6. Close the front cover.
7. Insert the tray into the printer, and push until it stops.

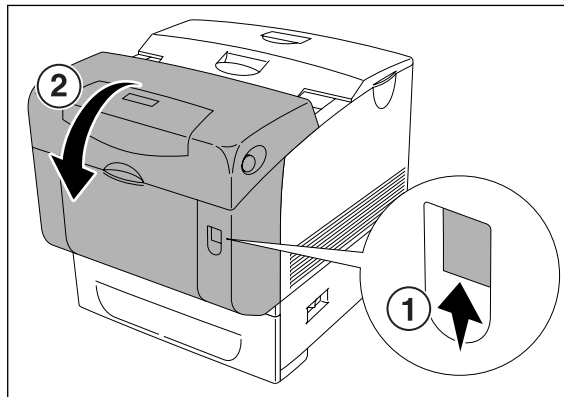


Important

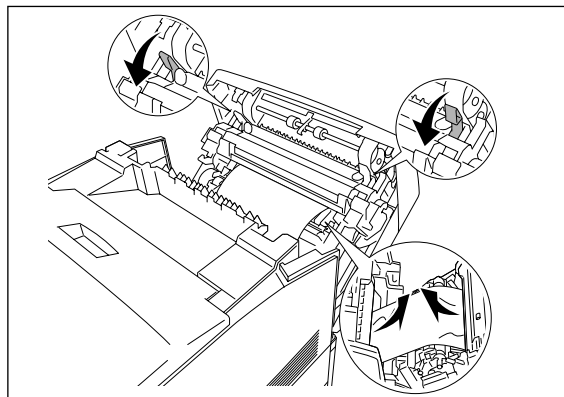
- Do not use excessive force on the tray. Doing so could damage the tray or the inside the printer.

Paper Jams between Drum Cartridge and Fuser Unit

1. Push up the button 1 and fully open the front cover 2.



2. Move the levers at both ends of the fuser to their open position and remove the jammed paper. If the paper is torn, remove any scraps of paper remaining inside the printer.

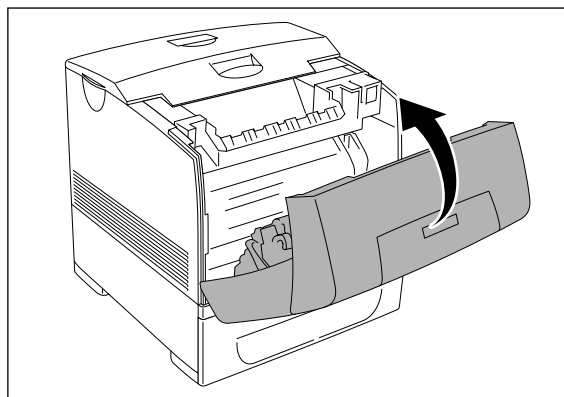


Important

- *The fuser is hot. Do not touch, doing so may cause burns.*

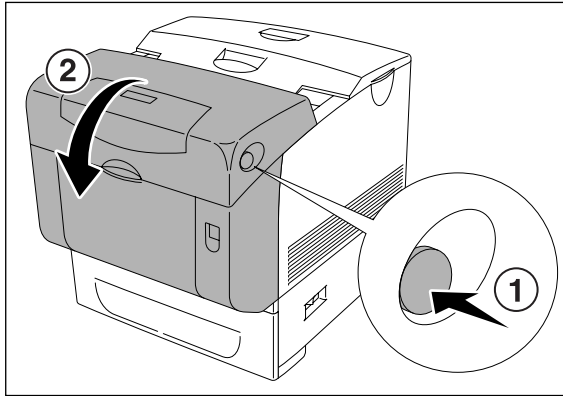
NOTE: If only a small portion of the jammed paper is visible, making it difficult to remove, see "Paper Jams between Drum Cartridge and Fuser Unit" on page 4-6 to remove the jammed paper.

3. Completely push down the levers at both ends of the fuser unit.
4. Close the front cover.

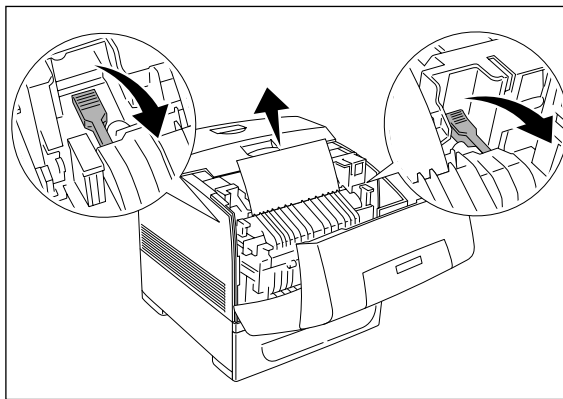


Paper Jams at the Fuser Unit

1. Press the button **1** and open the upper part of the front cover **2**.



2. Lift the levers at both ends of the fuser unit, and remove the jammed paper. If the paper is torn, remove any scraps of paper remaining inside the printer.



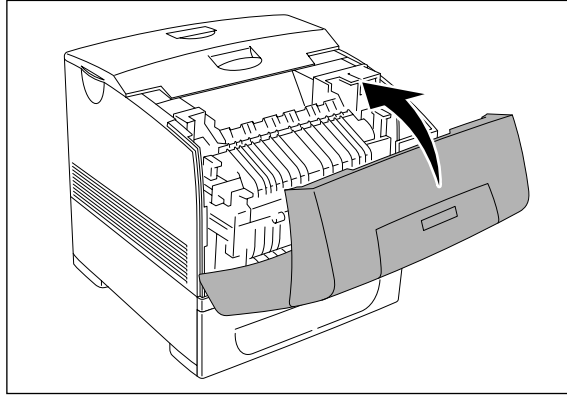
Important

- *The fuser is hot. Do not touch, doing so may cause burns.*

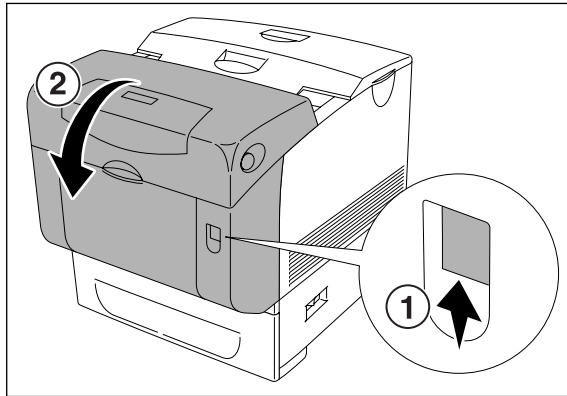
NOTE: If only a small portion of the jammed paper is visible, making it difficult to remove, see “Paper Jams between Drum Cartridge and Fuser Unit” on page 4-6 to remove the jammed paper.

3. Completely push down the levers at both ends of the fuser unit.

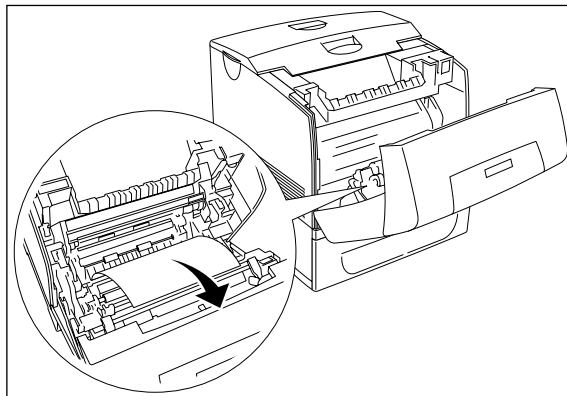
4. Close the front cover.



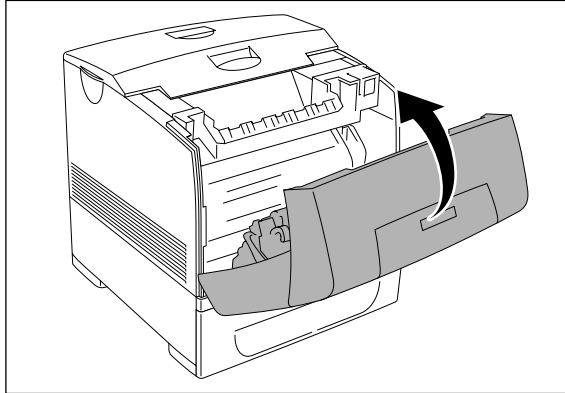
5. Push up the button **1** and fully open the front cover **2**.



6. Remove the jammed paper if you see it and proceed to the step 7.
If you cannot see the jammed paper, close the front cover and skip the rest of the procedure.

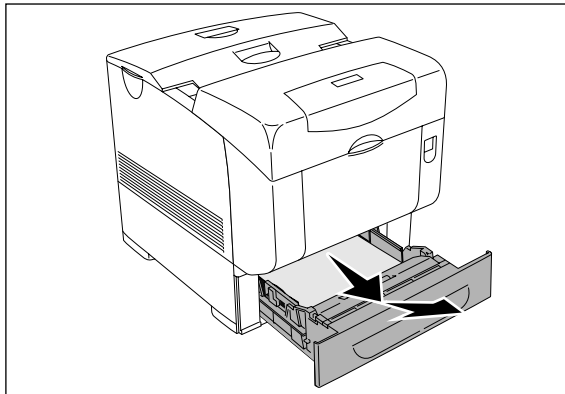


7. Close the front cover.



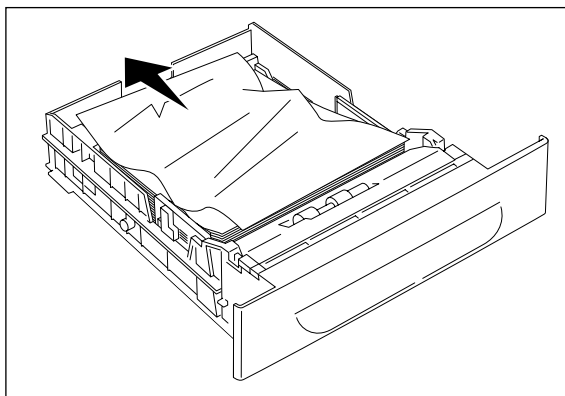
NOTE: If a paper jam occurs in the fuser area, a sheet of paper may already have been fed from the tray. Make sure there is no paper remaining inside the printer, using step 8 through 14.

8. Slowly, completely remove the tray from the printer. If the printer is equipped with an optional tray module, remove the trays sequentially, starting with the bottom one.

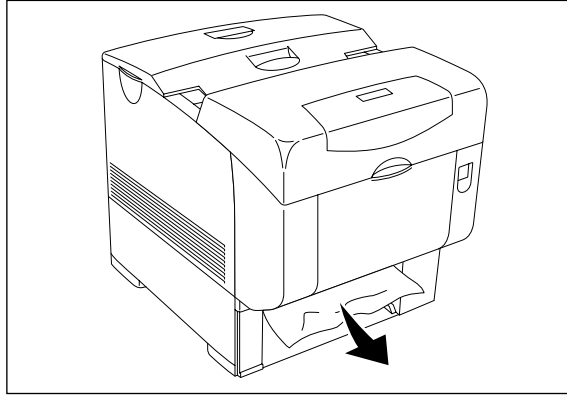


NOTE: You do not have to remove trays that are lower than the feeding tray from where the jammed paper was fed.

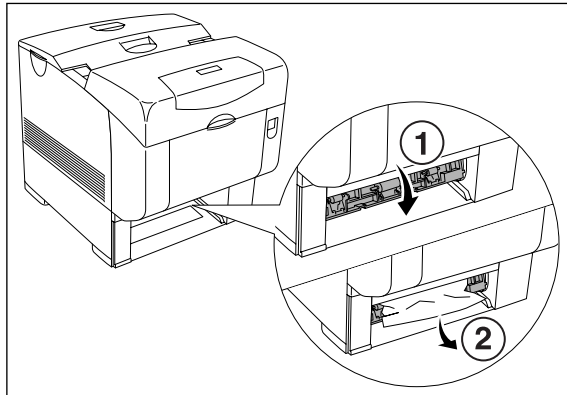
9. Remove all the jammed and/or creased paper from the tray.



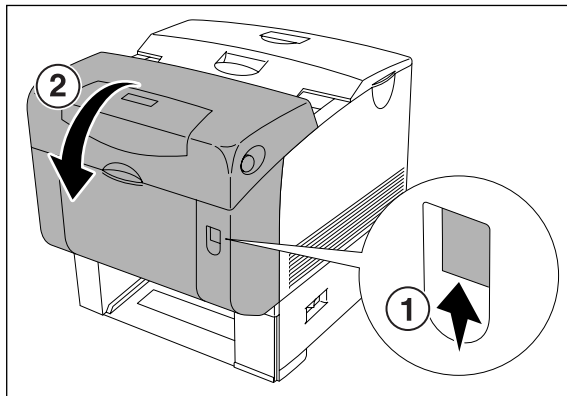
10. If there is jammed paper remaining inside the printer, pull it out carefully to avoid tearing it.



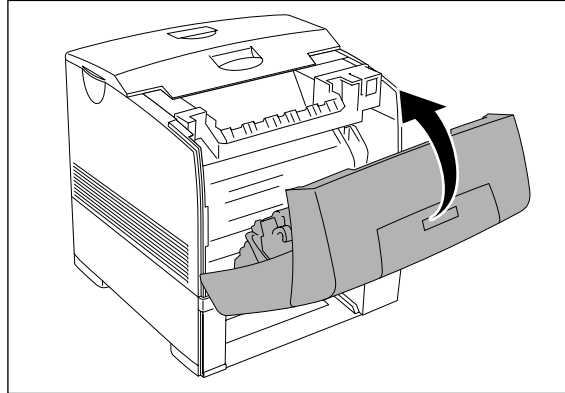
11. If jammed paper cannot be found, pull down the green cover along the top of the hole where the tray cartridge was in the printer, and pull the jammed paper out carefully.



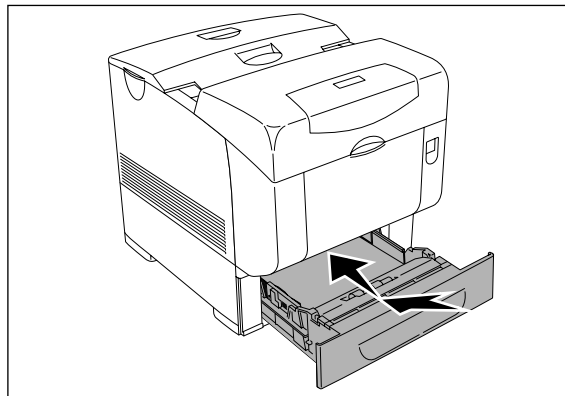
12. Push up the button **1** and fully open the front cover **2**. Confirm that there are no scraps of paper remaining inside the printer.



13. Close the front cover.



14. Insert the trays into the printer. Push the trays in until they stop.



Important

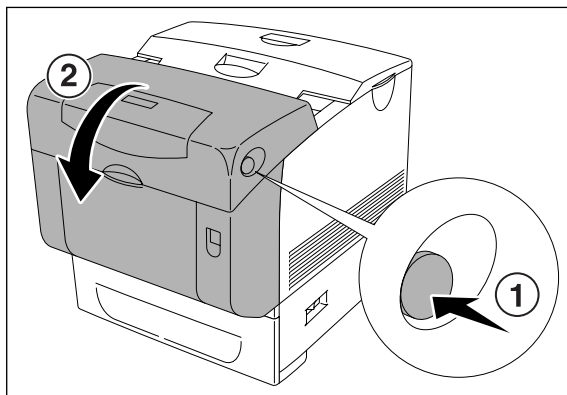
- *Do not use excessive force on the tray. Doing so could damage the tray or the inside the printer.*

When Long Paper Jams

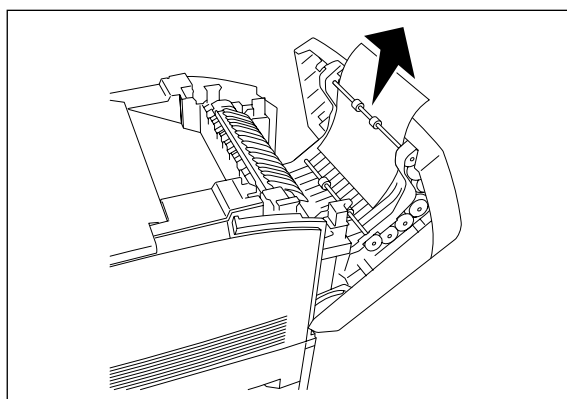
When long paper (longer than 355.6 mm/14") jams inside the printer, cut the paper as needed, then remove it in the proper way depending on the place that the paper jam occurs. When it is difficult to open the front cover, do not force it. Turn the power off immediately and contact your dealer or a Customer Service Center for assistance.

Paper Jams at the Paper Inverter

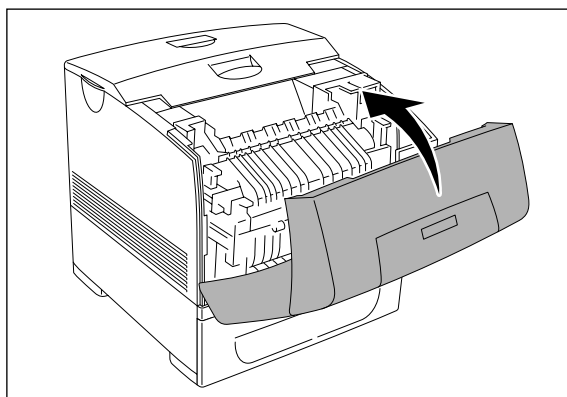
1. Press the button **1** and open the upper part of the front cover **2**.



2. Remove the jammed paper. If the paper is torn, remove any scraps of paper remaining inside the printer.

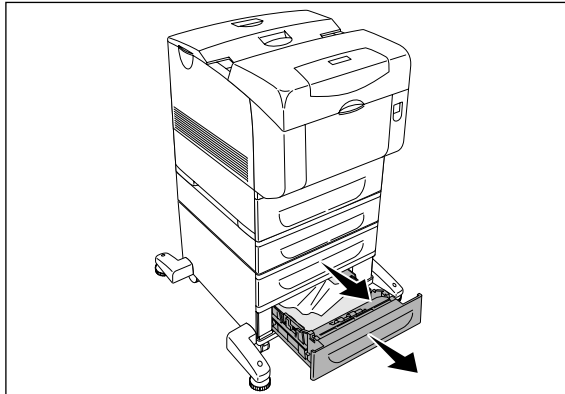


3. Close the front cover.



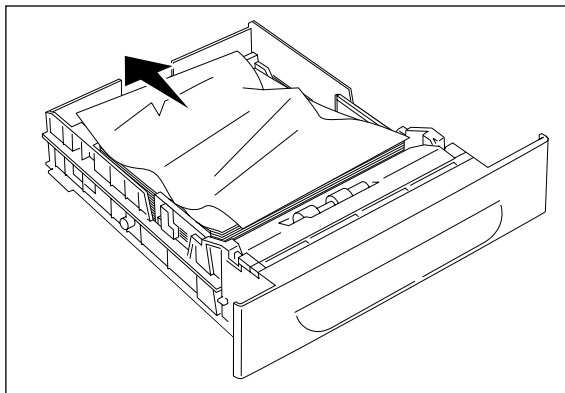
Paper Jams in the Optional Tray Module

1. Open the trays until you find the jammed paper.

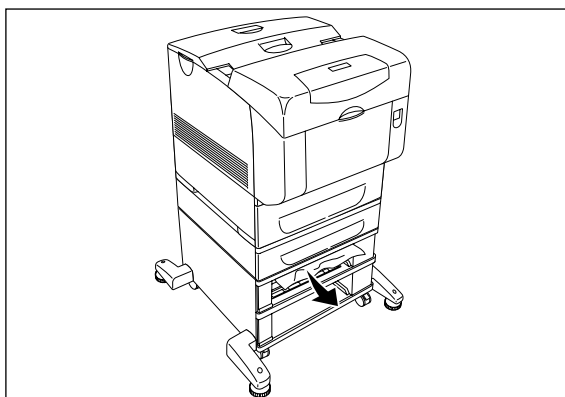


NOTE: Paper in the tray module feeds to the printer from the front of the trays, therefore paper jammed in the lower tray can block the upper tray of the module or the tray in the printer, preventing you from opening them. Look for the jammed paper sequentially, starting with the lowest tray.

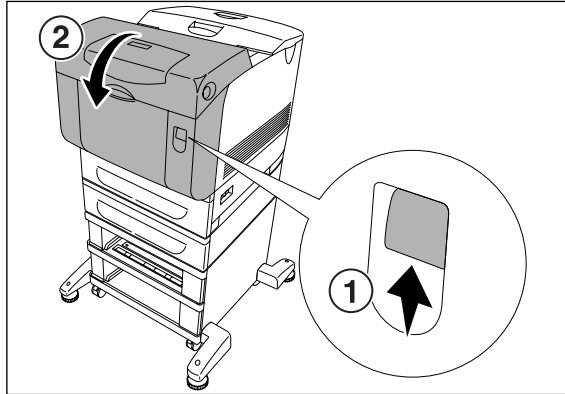
2. Remove all jammed and/or creased paper from the tray.



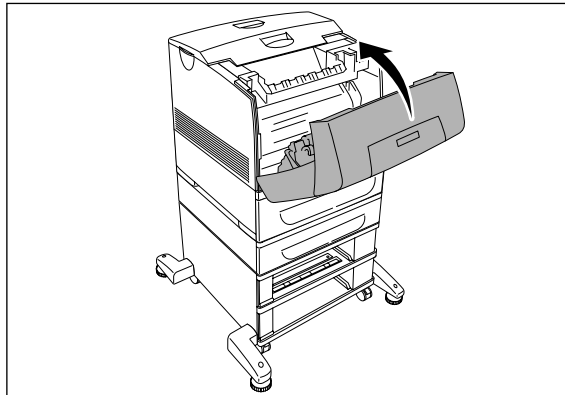
3. Pull the jammed paper out carefully to avoid tearing it. If the paper is torn, confirm that there are no scraps of paper remaining inside the printer.



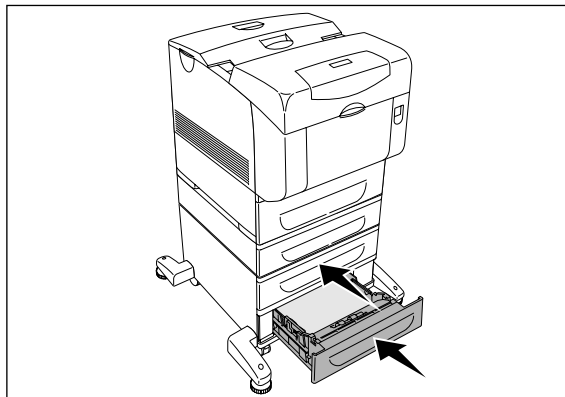
4. Push up the button **1** and fully open the front cover **2**. Confirm that there are no scraps of paper remaining inside the printer.



5. Close the front cover.



6. Insert the trays into the printer. Push the trays in until they stop.



Important

- *Do not use excessive force on the tray. Doing so could damage the tray or the inside the printer.*



Chapter 5

About Consumables

In this Chapter . . .

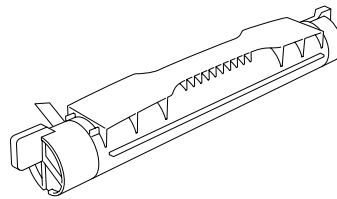
- “Consumables Overview” on page 5-2
- “Replacing the Toner Cartridges” on page 5-5
- “Drum Cartridge” on page 5-9
- “Transfer Roll Cartridge” on page 5-13
- “Fuser Unit” on page 5-16
- “Retard Roll” on page 5-19

Consumables Overview

The following consumables are provided with the printer. For replacements, contact your dealer.

Toner Cartridges

The printer uses four toner cartridges: black, yellow magenta, and cyan. When the toner supply in a cartridge begins to run out, an error message appears. At this stage, confirm that you have a replacement toner cartridge available. Replace toner cartridges as soon as the message prompting you to do so appears.



Important

- Possible number of pages printed are as follows.
 - Black 9,000 pages
 - Yellow/Magenta/Cyan 8,000 pages
- The possible number of pages that can be printed is based on Letter size paper with a print ratio of 5% and the default density setting. The number of pages that actually can be printed varies according to the conditions of use.

Important

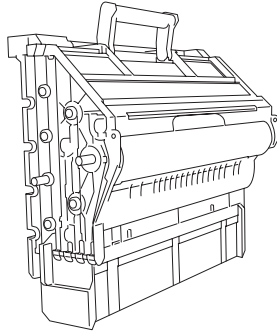
- Use of toner cartridges not recommended by our company may impair print quality or printer performance. Use only toner cartridges recommended by our company on this printer.

Refer to

- “Replacing the Toner Cartridges” on page 5-5

Drum Cartridge

The drum cartridge is composed of a light-sensitive drum and an intermediate transfer roller. Images are initially created as an electrical charge on the surface of this drum. When the drum cartridge reaches the end of its life span, print quality begins to deteriorate. Replace the drum cartridge at this stage. About 35,000 pages for a drum cartridge can be printed. The number of pages that actually can be printed varies according to the conditions of use.

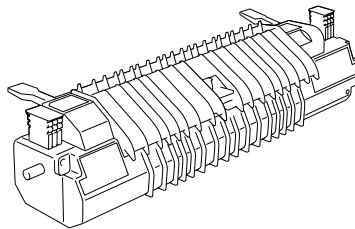


Refer to

- “Drum Cartridge” on page 5-9

Fuser Unit

About 100,000 pages for a fuser unit can be printed. When the fuser unit have reached this limit, replace it with new one. The number of pages that actually can be printed varies according to the conditions of use.

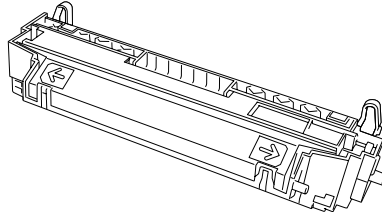


Refer to

- “Fuser Unit” on page 5-16

Transfer Roll Cartridge

About 35,000 pages for a transfer roll cartridge can be printed. When the transfer roll cartridge have reached this limit, replace it with new one. The number of pages that actually can be printed varies according to the conditions of use.

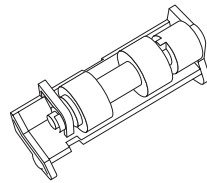


Refer to

- “Transfer Roll Cartridge” on page 5-13

Retard Roll

About 100,000 pages for a retard roll can be printed. When the retard roll have reached this limit, replace it with new one. The number of pages that actually can be printed varies according to the conditions of use.



Refer to

- “Retard Roll” on page 5-19

Replacing the Toner Cartridges

This section describes how to handle, store and replace toner cartridges. It is necessary to replace a Toner Cartridge only when the printer stops printing and has the error led lit together with a message requesting to change the toner.

Toner Cartridge Handling Precautions

The printer uses four toner cartridges: black, yellow, magenta, and cyan. The black toner cartridge is capable of printing about 9,000 A4 pages. The yellow, magenta, and cyan cartridges are capable of printing about 8,000 A4 pages (at the default print density, with 5% coverage per color).

WARNING

- **Never throw used toner cartridges into a fire. The residual toner could explode resulting in burns and injuries. Do not subject it to direct sunlight or strong light.**
-
- Although the toner is not harmful to the body, wash it off immediately if your hands or clothes are stained with it.
 - It is recommended to use up the toner cartridge within 1 year after opening it.

Handling Precautions

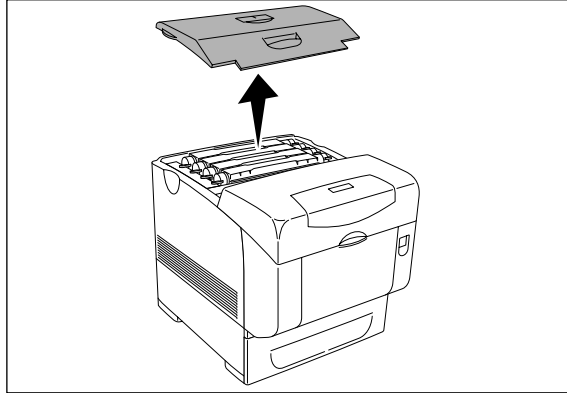
- Never use a vacuum cleaner to clean toner. Static electricity could build up and damage sensors.
- Do not reuse toner cartridges once you have removed them from the printer. Loose toner could spill inside the printer and deteriorate print quality.
- To prevent residual toner from spilling, avoid shaking or bumping used toner cartridges.
- After moving a toner cartridge from a cold place to a warm place, allow 1 hour for the cartridge to adapt to room temperature before installing it. (This is not necessary if there is no condensation.)
- Toner is harmless, but should still be washed off immediately if it comes into contact with hands or clothing.
- Only use toner cartridges recommended by TallyGenicom. Using toner cartridges that are not recommended may result in lower print quality and unsatisfactory printer performance.
- Wrap used toner cartridges in plastic bags and dispose of them as nonburnable waste.
- When handling toner cartridges, take care not to damage the projection (the same color as the cartridge) at the bottom of the cartridge.

Storage Precautions

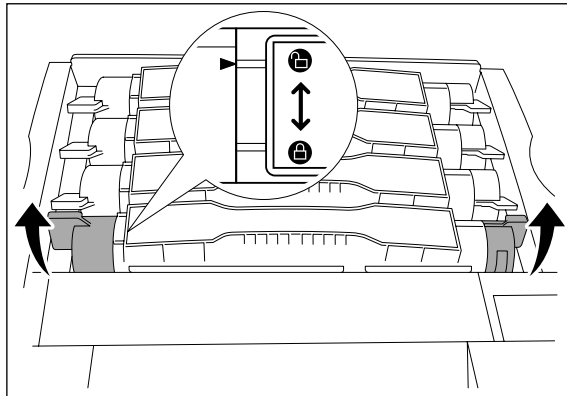
- Store toner cartridges away from direct sunlight under the following conditions:
Ambient temperature range, 0 to 35°. Humidity range 15 to 80% RH (no condensation).
- Avoid hot and humid areas.
- Avoid storing near magnetic objects such as CRT screens, disk drives, or floppy disks.
- Keep out of reach of children.
- Do not stand toner cartridges on their ends.

Replacing Toner Cartridges

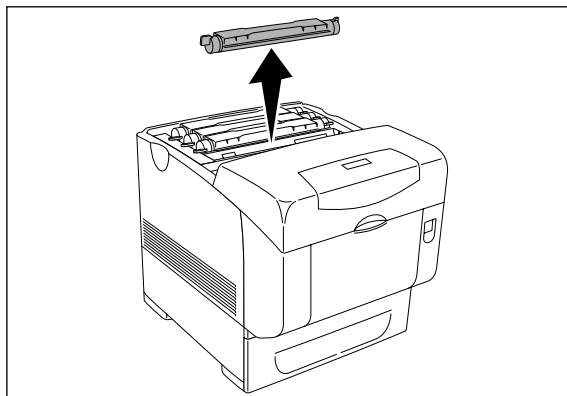
1. Remove any paper in the center output tray.
2. Remove the top cover.



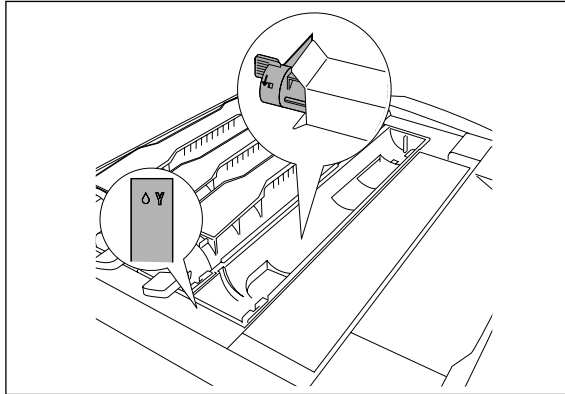
3. Grip the levers at the ends of the toner cartridge that you want to replace and pull them up.



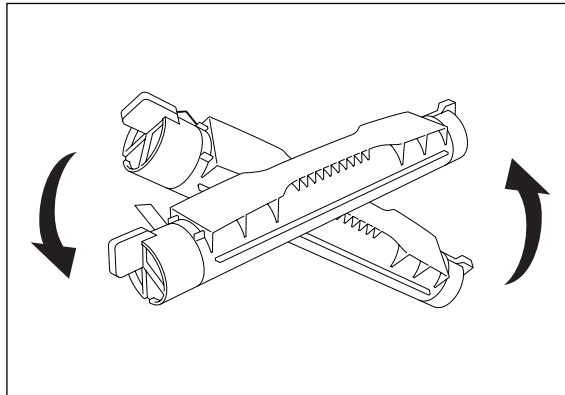
4. Pull out the toner cartridge.



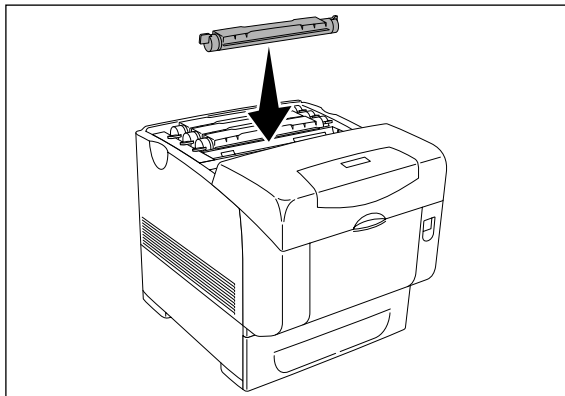
5. Select the new toner cartridge whose color matches the cartridge holder and remove it from its packaging.



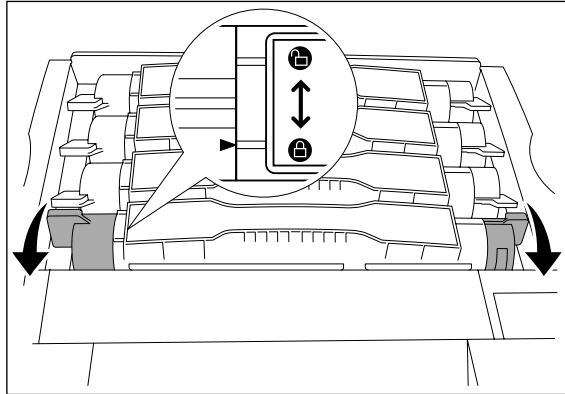
6. Shake the toner cartridge several times as illustrated to distribute the toner evenly.



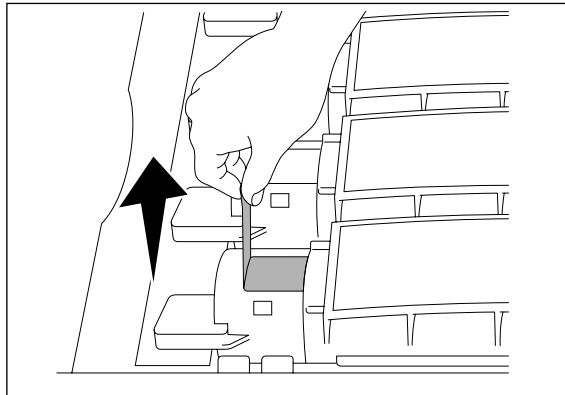
7. Align the toner cartridge with the corresponding insertion point in the printer and insert it.



8. Grip the levers at each end of the toner cartridge with your fingers, then push down firmly to rotate the levers forward.



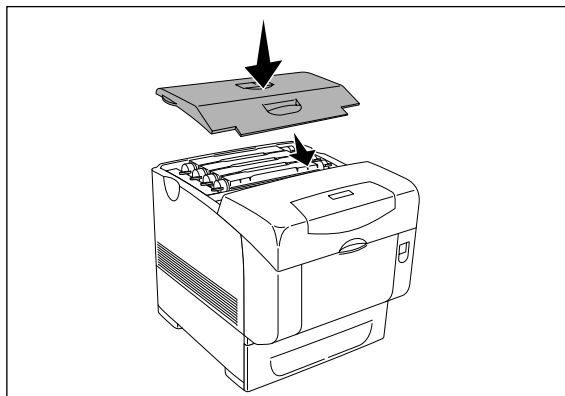
9. Pull the toner seal straight up to remove it.



NOTE: Pull the toner seal straight up. Pulling the toner seal diagonally may tear the seal.

NOTE: If there is an interval of more than 5 seconds from inserting the toner cartridge to pulling the toner seal, an error message may be displayed. In this case, repeat step 8 again or switch the printer off and then on again.

10. Replace the top cover by inserting its front side into the printer first.



Drum Cartridge

This section describes procedures for handling, storing and replacing the drum cartridge.

Handling Precautions

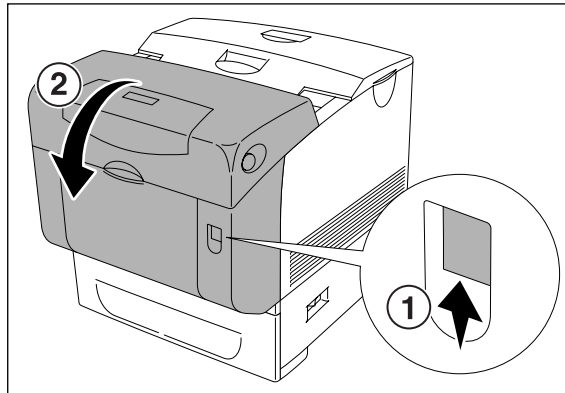
When handling the drum cartridge, take note of the following points:

CAUTION

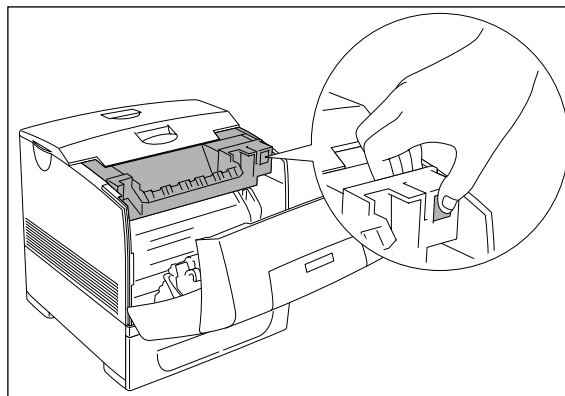
- Never throw an drum cartridge into an open flame. It can cause an explosion and you can get burnt.
 - Do not subject it to direct sunlight or strong light.
 - When installing the drum cartridge, select a location not subject to strong light and try to finish the installation within 5 minutes.
 - Do not touch the surface of the photosensitive drum. Do not let the drum cartridge stand or place it upside down. The drum might get damaged.
 - Place the drum cartridge on a flat surface.
-

Replacing the Drum Cartridge

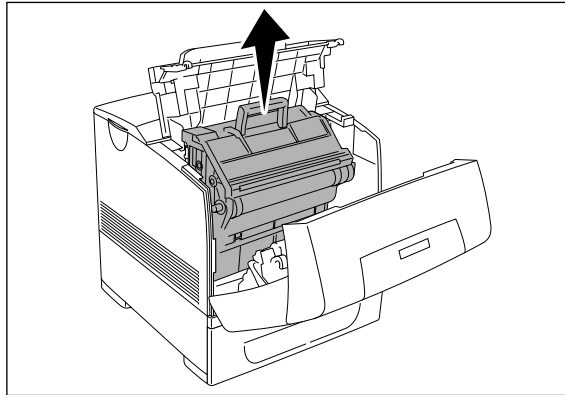
1. Remove any paper in the center output tray.
2. Push up the button 1 and fully open the front cover 2.



3. Press the button as shown in the diagram and open the output tray cover.



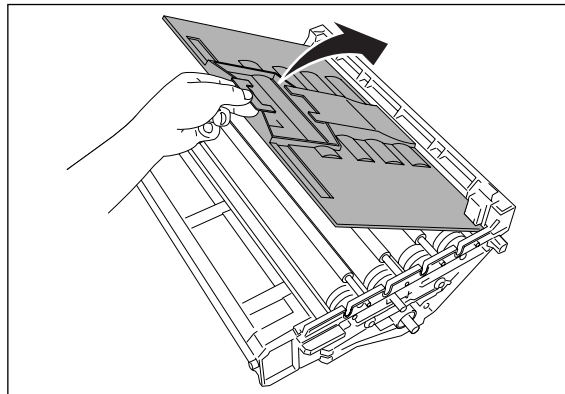
4. Grab the drum cartridge by the handle, and pull it up and out.



Important

- Do not touch inside the printer with your hands. Some parts may be hot.
- Hold the handle to avoid dropping the drum cartridge.

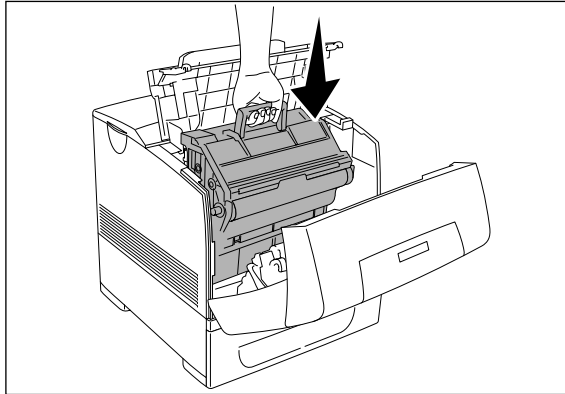
5. Take the new drum cartridge out of the packaging box by holding its handle and remove the protective cover from the drum cartridge.



Important

- Make sure nothing touches or scratches the surface of the light-sensitive drum (green-colored part) or the charge roller (black-colored part). Scratches, dirt, or oil from your hands on the surface of the light-sensitive drum or charge roller may reduce the print quality.

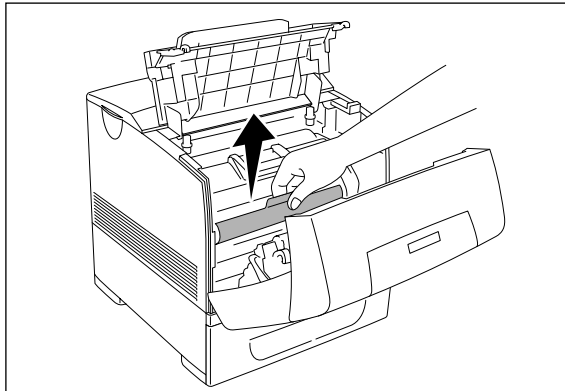
6. Holding the drum cartridge by the handle and the flat part facing the back of the printer, align the bosses that arrow marks are attached on both sides of the drum cartridge with the slots that are indicated by the arrow marks on the printer. Gently lower the drum cartridge into the printer.



Important

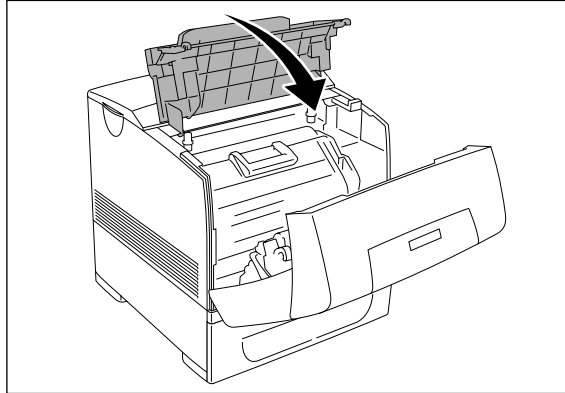
- Lowering the drum cartridge into the printer without correctly aligning the bosses on both sides of the drum cartridge with the slots can damage the drum cartridge.

7. Pull the protective cover on the cartridge straight up to remove it.

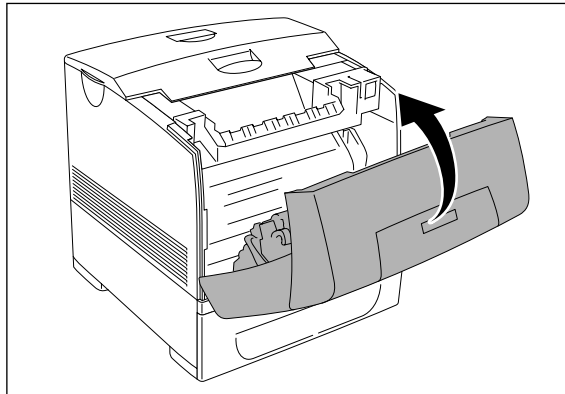


NOTE: Do not touch the intermediate transfer roller (black part). Make sure that nothing touches or scratches the roller surface. Scratches or oil from your hands on the roller deteriorates print quality.

8. Close the output tray cover.



9. Close the front cover.



Storage Precautions

- Do not unpack the new drum cartridge until you are ready to install it. If the drum cartridge is unpacked put it in its aluminum package for storage.
- Store drum cartridges away from direct sunlight under the following conditions:
Ambient temperature range, 0 to 35°C; humidity range, 15 to 80 % RH (no condensation)
- Avoid storing in hot humid areas.
- Avoid storing near magnetic objects such as CRT screens, disk drives, or floppy disks.
- Keep out of reach of children.
- Store in a level position.

Transfer Roll Cartridge

This section describes procedures for replacing the transfer roll cartridge.

Transfer Roller Cartridge Handling Precautions

The transfer roller cartridge consists of a transfer roller and a waste toner collection box. The transfer roller cartridge is capable of printing about 35,000 A4 pages (at default print density, with 5% color coverage) with a 1:1 color/monochrome ratio, and when printing in units of four pages.

⚠ WARNING

- **Never throw used transfer roller cartridges into a fire. The residual toner could explode, resulting in burns.**
-

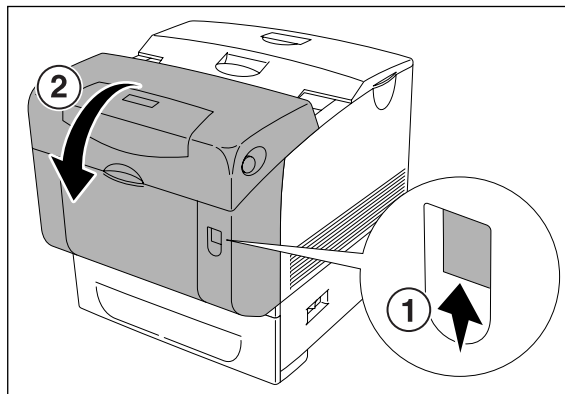
NOTE: The actual number of printable pages varies depending on the content of printed material, paper size, and operating environment. A message prompting you to replace the transfer roller may appear before the average number of pages indicated above is actually printed.

Handling Precautions

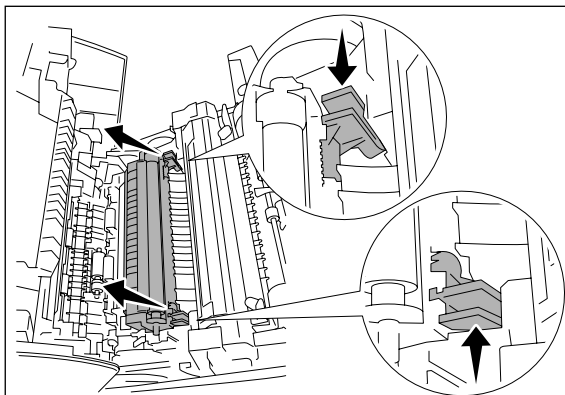
- Avoid removing the transfer roller cartridge before it is time to replace it.
- Replace the transfer roller as soon as the message prompting you to do so appears. The printer stops operating if you do not replace the transfer roller cartridge when required.
- Do not attempt to reuse toner from the waste toner collection box.
- When you remove the transfer roller cartridge from the printer because the waste toner collection box is full, do not attempt to empty the waste toner box and reuse the cartridge, as toner may spill inside the printer and cause damage.
- Do not remove the transfer roller from the printer before it is time to replace it, as toner may spill inside the printer and cause damage.

Replacing the Transfer Roll Cartridge

1. Remove any print jobs from the center output tray, close the multipurpose feeder cover before opening the front cover.
2. Push up the button 1 and fully open the front cover 2.



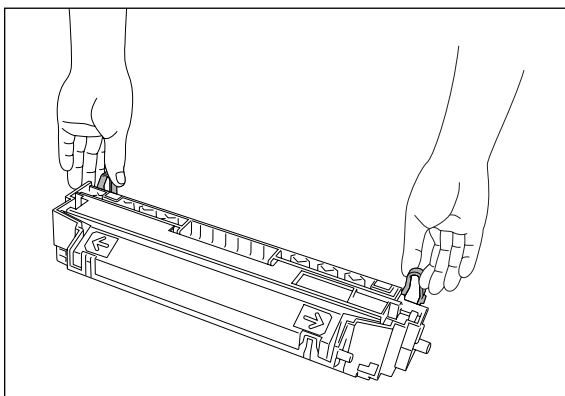
3. Grip the tabs at both ends of the transfer roll cartridge and gently lift it out of the printer.



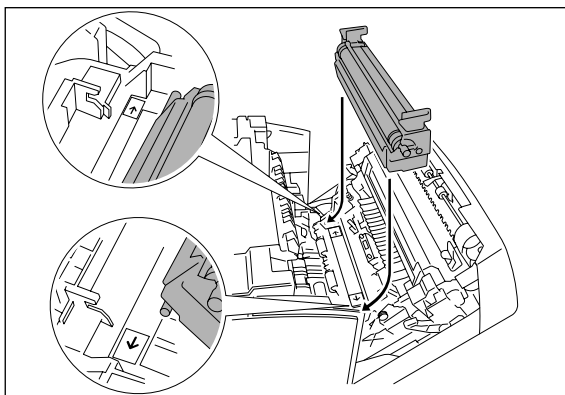
Important

- Do not touch inside the printer with your hands. Some parts may be hot.

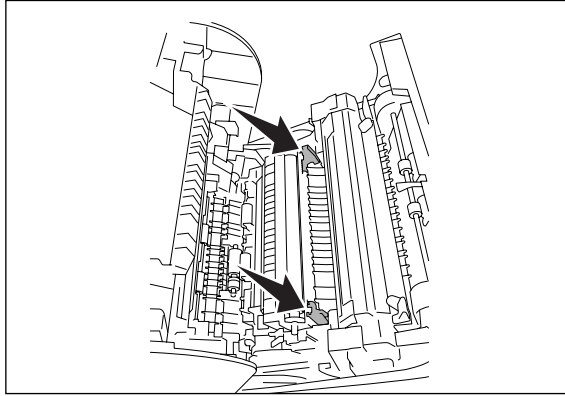
4. Unpack a new transfer roll cartridge and grip the tabs as shown in the diagram.



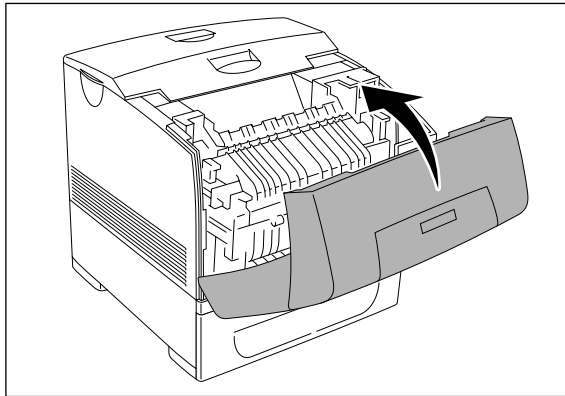
5. Align the arrow marks on the transfer roll cartridge to the marks on the printer, and gently push the roller into the printer.



6. To lock the transfer roll cartridge into the printer push down the tabs until you hear a click.



7. Close the front cover.



Fuser Unit

This section describes procedures for replacing the fuser unit.

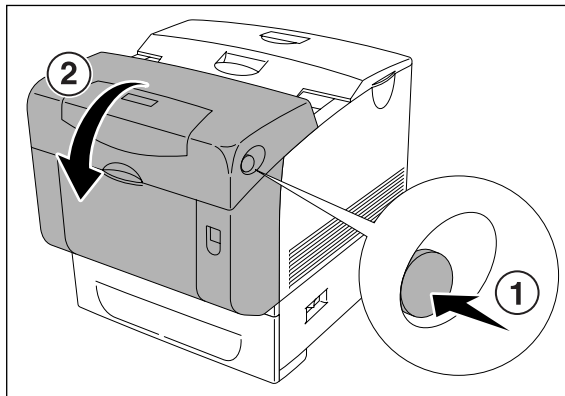
NOTE: To avoid burns, do not replace the fuser immediately after printing, as the fuser unit gets very hot during this process.

⚠ CAUTION

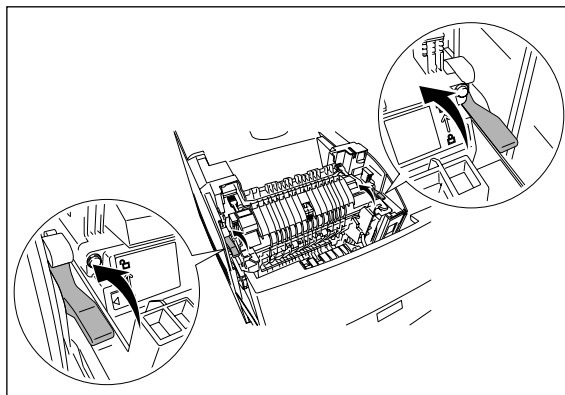
- To prevent burns, never touch the fuser unit until at least 30 minutes after you have turned off the printer.
 - To prevent electric shock, always turn off the printer and disconnect the power cable from the grounded outlet before cleaning the printer or performing maintenance.
-

Replacing the Fuser Unit

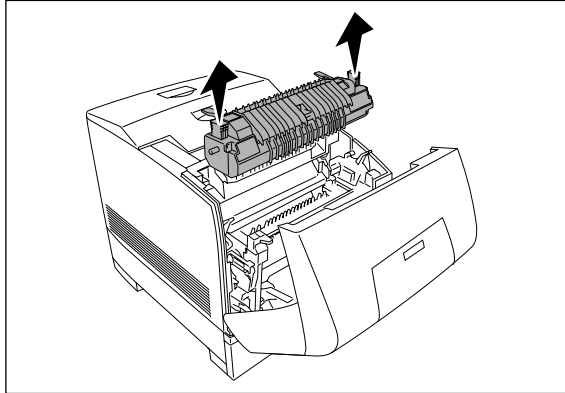
1. Close the multipurpose feeder cover, and then open the upper part of the front cover 2 by pressing the button 1.



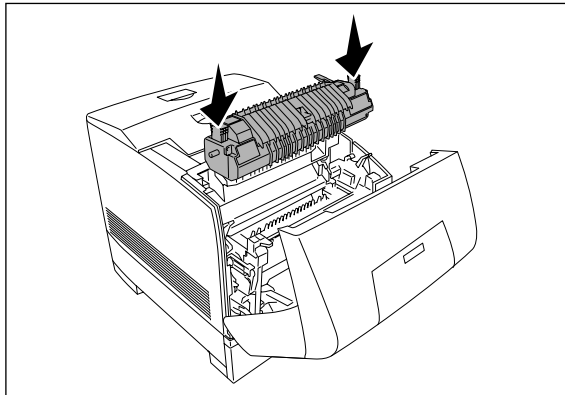
2. Turn off the printer and wait for 30 minutes.
3. Lift up the levers next to both ends of the fuser unit.



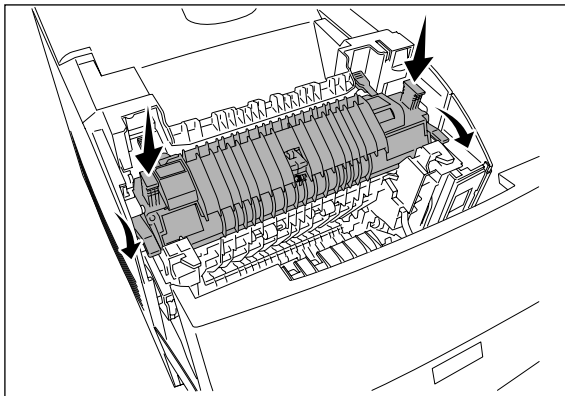
4. Grip the knobs and gently lift the fuser unit out of the printer.



5. Unpack a new fuser unit, grip the fuser by the knobs, align it with the slots in the printer, and slowly push it in.

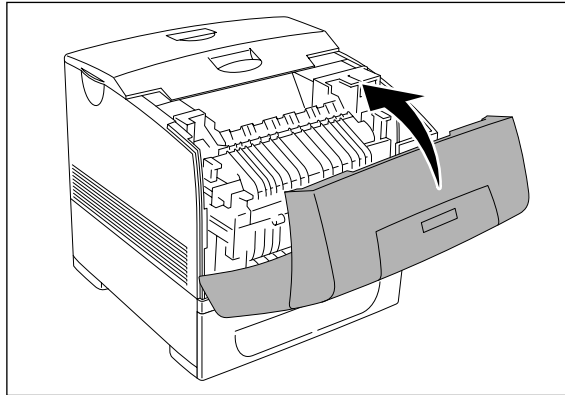


6. Completely push down the fuser unit by holding the knobs at both ends of the fuser unit until the fuser unit stops.



NOTE: Make sure that the levers that are lifted up in step 3 return to their original position.

7. Close the front cover.

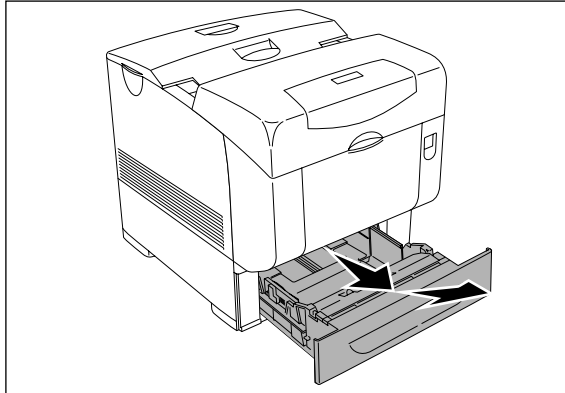


Retard Roll

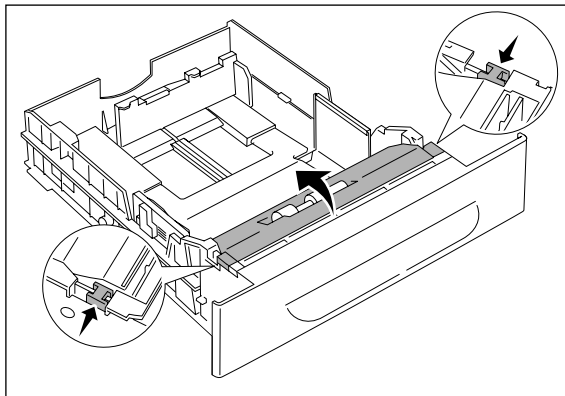
This section describes procedures for replacing the retard roll.

Replacing the Retard Roll

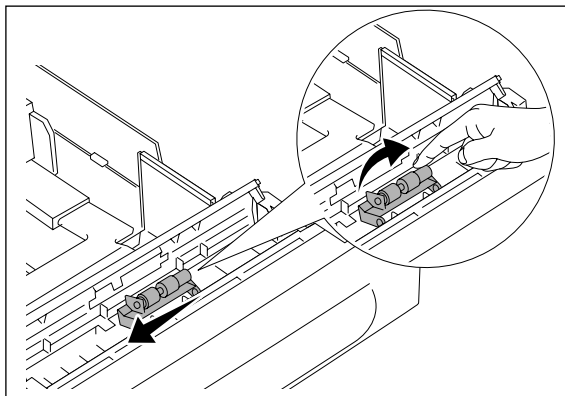
1. Remove any print jobs from the tray before pulling the tray out of the printer.
2. Pull the tray out of the printer until it stops. Hold the tray with both hands, lift the front slightly, and remove it from the printer.



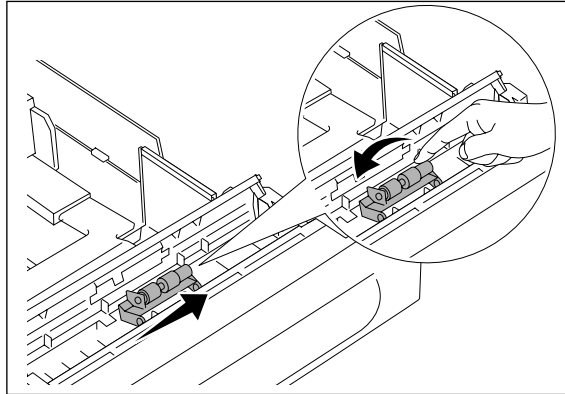
3. Hold the tabs of the retard roll cover and pull open the cover.



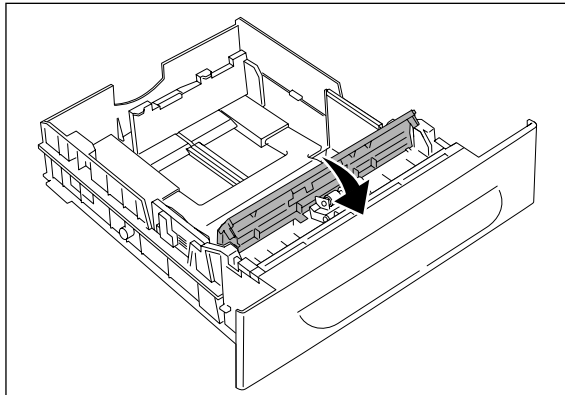
4. Lift the retard roll and slide it to the left to remove it.



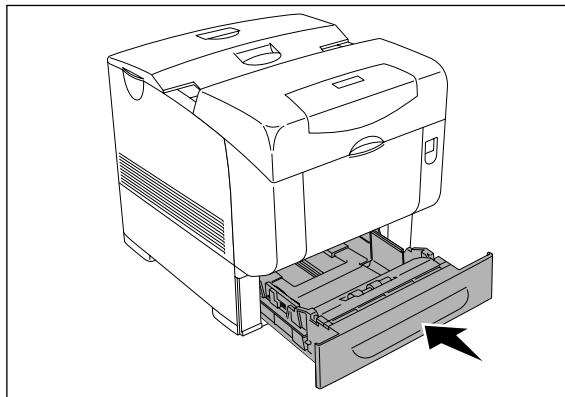
5. Align the holes of the new retard roll with the bosses in the tray and slide the retard roll until it stops. Then, release your hand from the retard roll.



6. Close the retard roll cover.



7. Replace the printer's tray into the printer. Push the tray until it stops.



Important

- *Do not use excessive force on the tray. Doing so could damage the tray or the inside the printer.*



Chapter 6

Optional Accessories

In this Chapter . . .

- “Options” on page 6-2
- “Tray Module” on page 6-3
- “Installing the Optional 1100 Sheet Tray Module” on page 6-6
- “Installing the Optional 550 Sheet and 1100 Sheet Tray Module” on page 6-10
- “Removing the Tray Module” on page 6-15

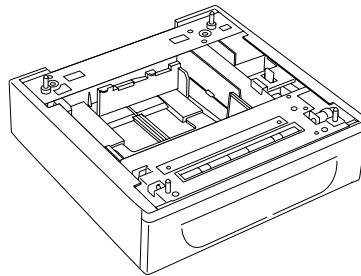
Options

Options Overview

The following optional dedicated accessories are available with this printer. To order any of the options, contact your dealer.

550 Sheet Tray Module

Install the tray module to the printer to use the 550 sheet tray module.

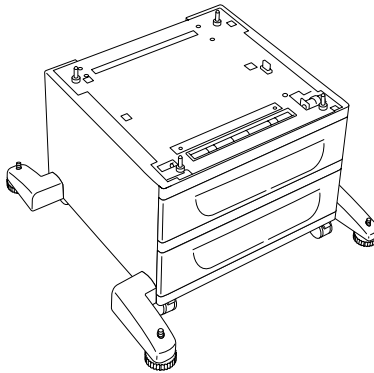


Refer to

- *Installing the this tray module: "Installing the Optional 550 Sheet and 1100 Sheet Tray Module" on page 6-10*
- *Available paper: "Paper Handling" on page 2-6*

1100 Sheet Tray Module

Install the tray module to the printer to use the 1100 sheet tray module.



Refer to

- *Installing this tray module: "Installing the Optional 550 Sheet and 1100 Sheet Tray Module" on page 6-10*
- *Available paper: "Paper Handling" on page 2-6*

Tray Module

The optional 550 sheet tray module and 1100 sheet tray module are available for this printer.

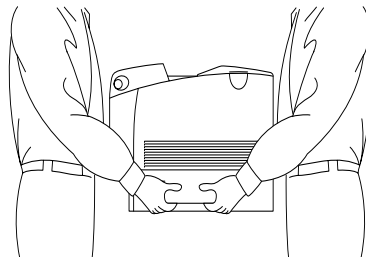
NOTE: Only one optional 550 sheet tray module and one optional 1100 sheet tray module can be installed under the printer.

CAUTION

- Be sure to switch off the power and unplug the power cord from the outlet before carrying out the operations.
 - If not, you might get an electric shock.
 - When lifting the machine, get a firm footing and bend your knees to avoid possible injuries to your back.
-

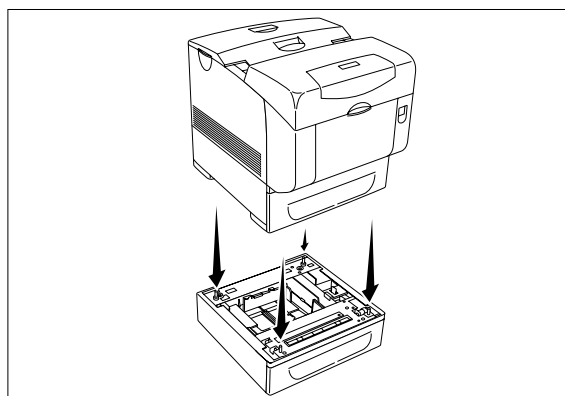
Important

- *The weight of this printer, without the optional accessories, paper trays, consumables and paper, is 31.5 kg (70 lb). Before moving the printer, you must uninstall the optional accessories first.*
- *When lifting the printer, there should be 2 persons, 1 in front and 1 behind the printer, to firmly grip the recessed areas provided on both sides of the printer. Never try to lift the printer by gripping any other areas. Lifting the printer by gripping any other areas can cause the printer to fall and result in injuries.*



Installing the Optional 550 Sheet Tray Module

1. Turn off the printer.
2. Lift the printer and align the four guide pins of the 550 sheet tray module with the holes at the bottom of the printer. Gently lower the printer onto the optional 550 sheet tray module.

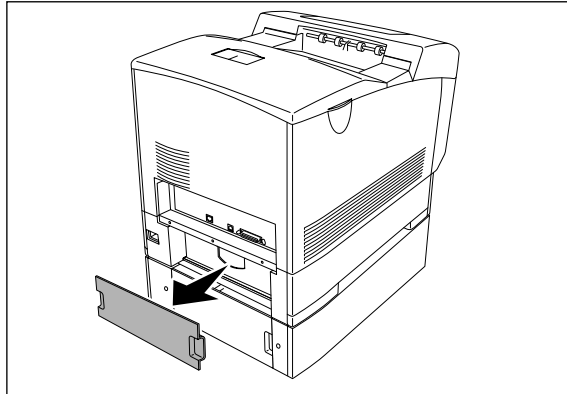


⚠ CAUTION

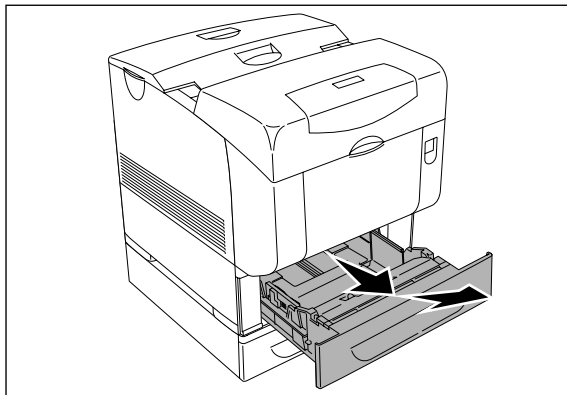
- To lift the printer safely, remove the drum cartridge and lift it with two people. Never try to lift the printer while facing its right and left sides.
-

NOTE: Be careful not to pinch your fingers when lowering the printer onto the optional 550 sheet tray module.

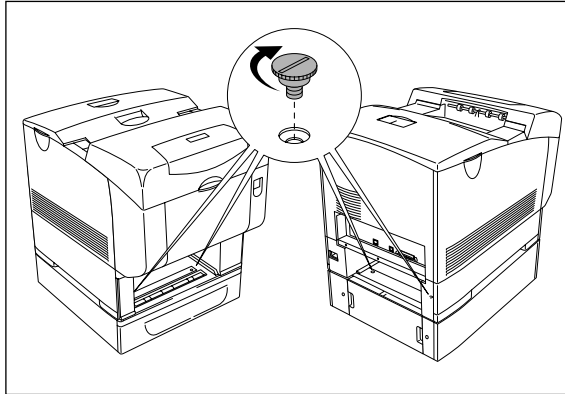
3. Hold the upper side of the tray rear cover and pull it forward to remove it from the back of the printer.



4. Pull the printer's tray out until it stops. Hold the tray with both hands, lift the front slightly and remove it from the printer.

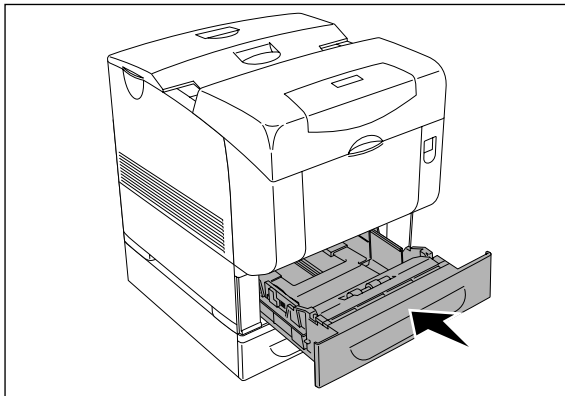


5. Insert the four screws provided into the four holes inside the printer and tighten them with a coin to secure the printer to the optional 550 sheet tray module.

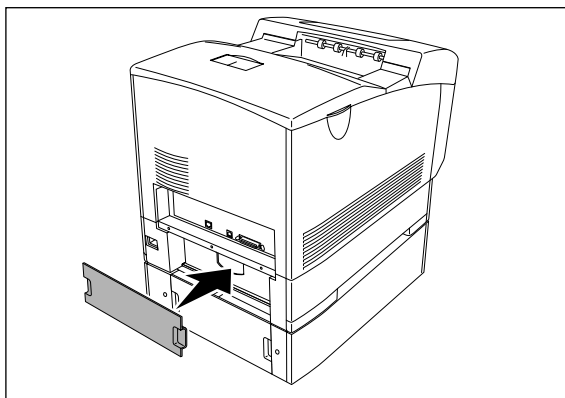


NOTE: Make sure the screws are firmly tightened.

6. Insert the tray into the printer.



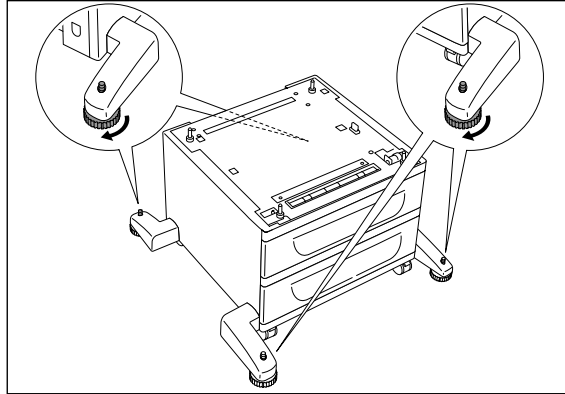
7. Reattach the tray rear cover to the back of the printer.



8. Turn on the printer.

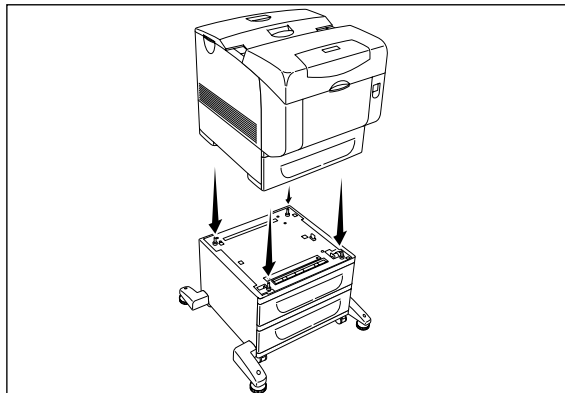
Installing the Optional 1100 Sheet Tray Module

1. Turn off the printer.
2. Turn the dials of the four feet at the bottom of optional 1100 sheet tray module to prevent it from slipping.



Important

- *Failure to adjust the feet can cause the printer to move unexpectedly, resulting in injury.*
3. Lift the printer and align the four guide pins of the optional 1100 sheet tray module with the holes at the bottom of the printer. Gently lower the printer onto the 1100 sheet tray module.

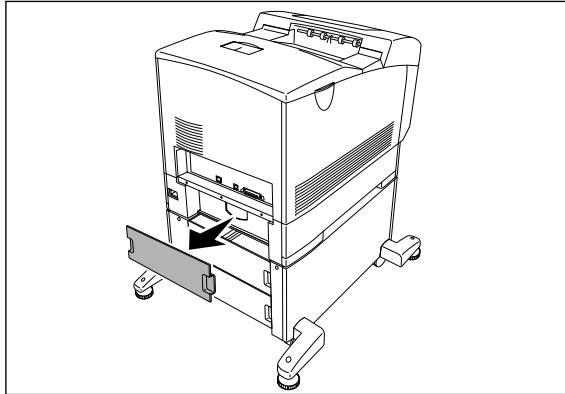


⚠ CAUTION

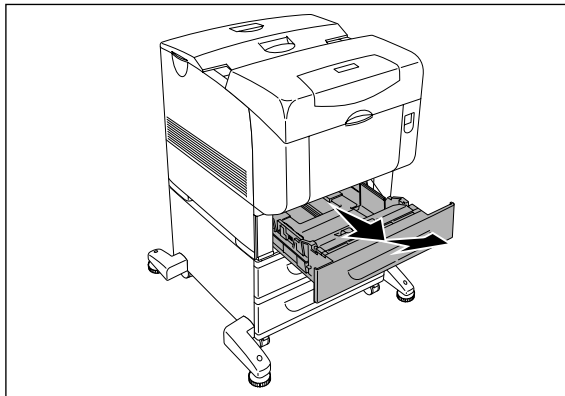
- To lift the printer safely, remove the drum cartridge and lift it with two people. Never try to lift the printer while facing its right and left sides.
-

NOTE: Be careful not to pinch your fingers when lowering the printer onto the optional 1100 sheet tray module.

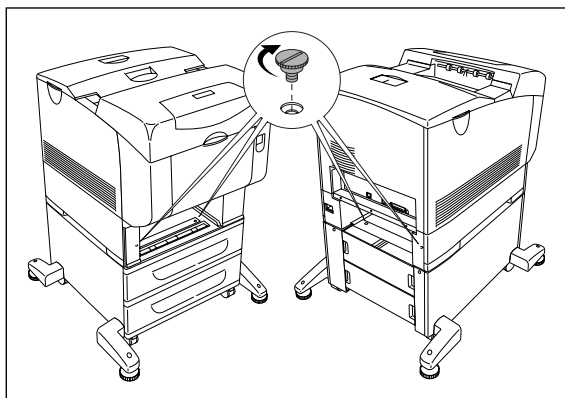
4. Pull the tray rear cover so that the top edge tilts out, then lift the tray rear cover off its hinges.



5. Pull the printer's tray out until it stops. Hold the tray with both hands, lift the front slightly and remove it from the printer.

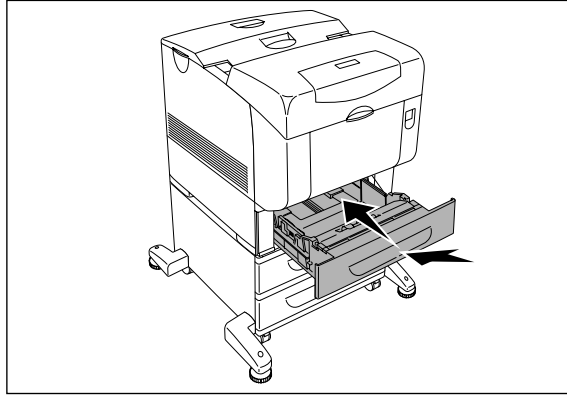


6. Insert the four screws provided into the four holes inside the printer and tighten them with a coin to secure the printer to the optional 1100 sheet tray module.

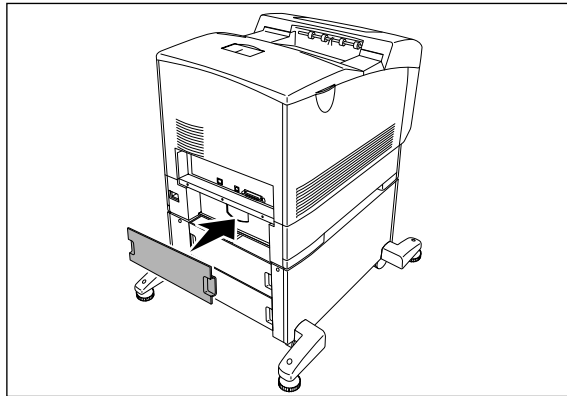


NOTE: Make sure the screws are firmly tightened.

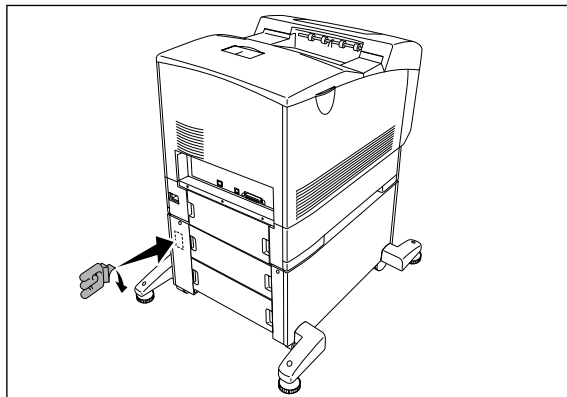
7. Insert the tray into the printer.



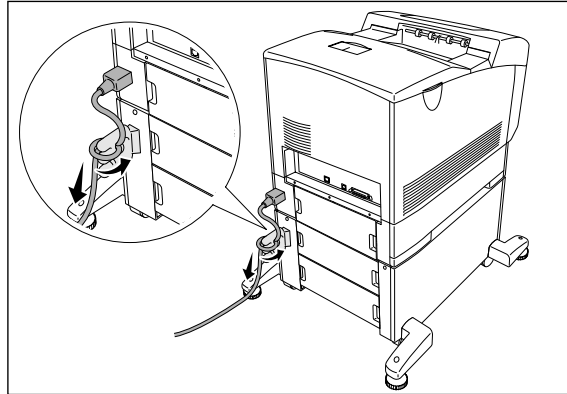
8. Reattach the tray rear cover to the back of the printer.



9. Peel off the peel-off paper on the double-sided adhesive tape on the cable hook, and affix the cable hook on the back of the printer.



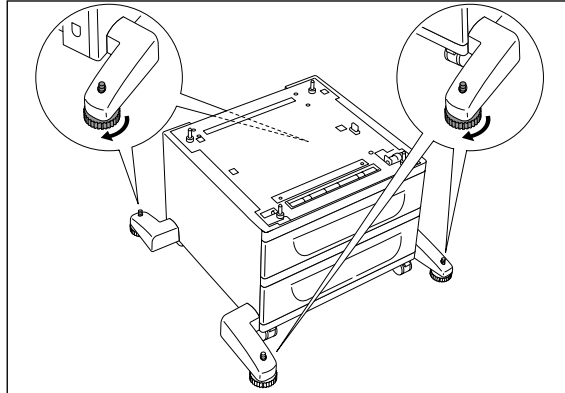
10. Plug the power cable into the power cable connector at the back of the printer, wind the power cable onto the cable hook as shown in the graphic, and lightly pull the power cable. Then, plug the other end of the cable into the grounded outlet.



11. Turn on the printer.

Installing the Optional 550 Sheet and 1100 Sheet Tray Module

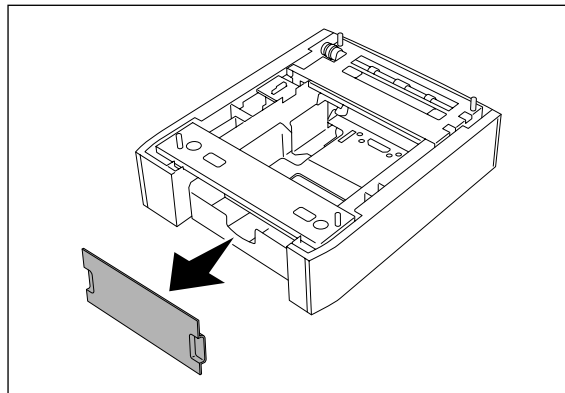
1. Turn off the printer.
2. Turn the dials of the four feet at the bottom of optional 1100 sheet tray module to prevent it from slipping.



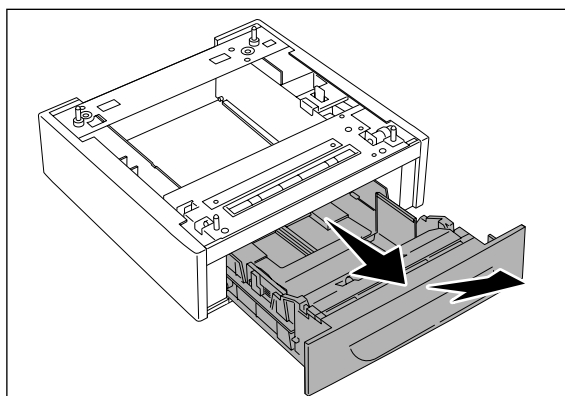
Important

- Failure to adjust the feet can cause the printer to move unexpectedly, resulting in injury.

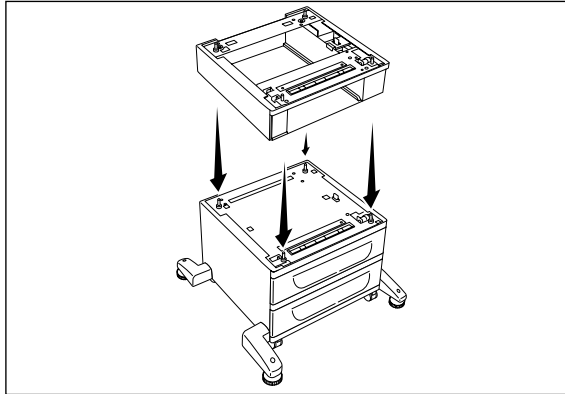
3. Remove the tray rear cover from the back of the optional 550 sheet tray module.



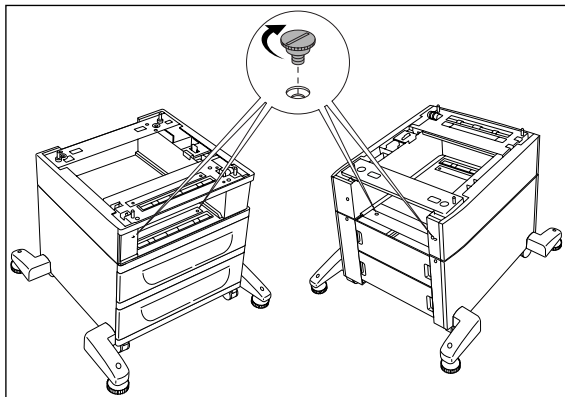
4. Gently pull out the tray of the optional 550 sheet tray module until it stops. Hold the tray with both hands, lift the front slightly and remove it from the tray module.



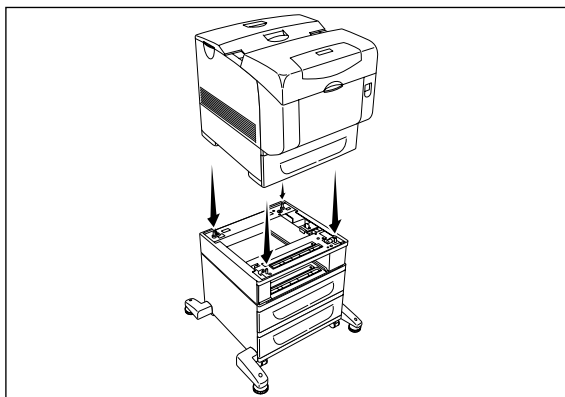
5. Lift the optional 550 sheet tray module and align the four guide pins of the optional 1100 sheet tray module with the holes at the bottom of the 550 sheet tray module. Gently lower the 550 sheet tray module onto the 1100 sheet tray module.



6. Insert the four screws provided into the four holes inside the optional 550 sheet tray module and tighten them with a coin to secure the 550 sheet tray module to the optional 1100 sheet tray module.



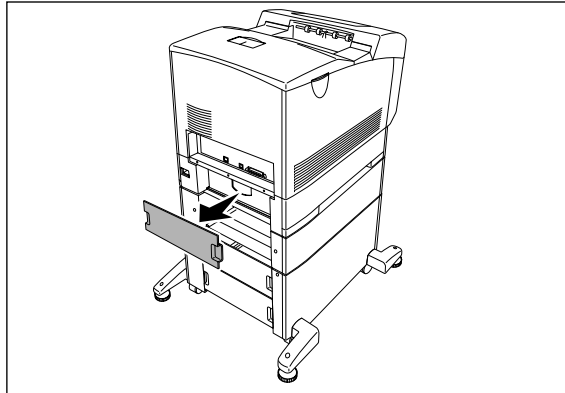
7. Lift the printer and align the four guide pins of the optional 550 sheet tray module with the holes at the bottom of the printer. Gently lower the printer onto the optional 550 sheet tray module.



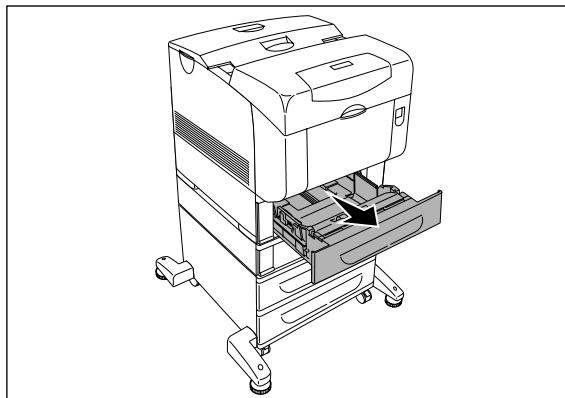
NOTE: Never try to lift the printer while facing its right and left sides.

NOTE: Be careful not to pinch your fingers when lowering the printer onto the optional 1100 sheet tray module.

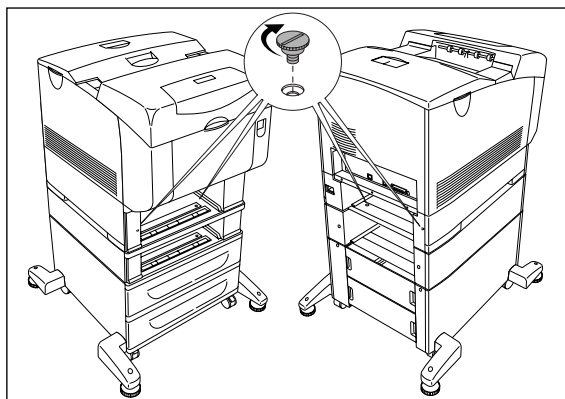
8. Remove the tray rear cover from the back of the printer.



9. Pull the printer's tray out until it stops. Hold the tray with both hands, lift the front slightly and remove it from the printer.

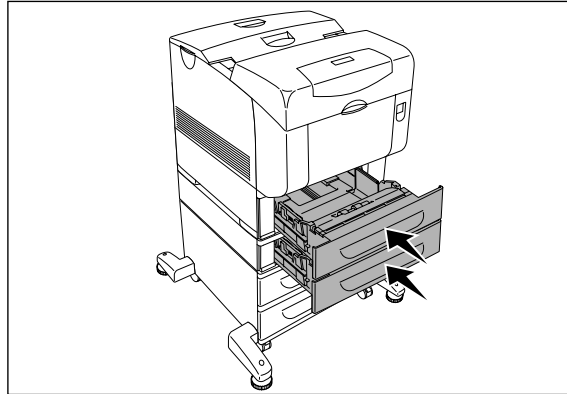


10. Insert the four screws provided into the four holes inside the printer and tighten them with a coin to secure the printer to the optional 550 sheet tray module.

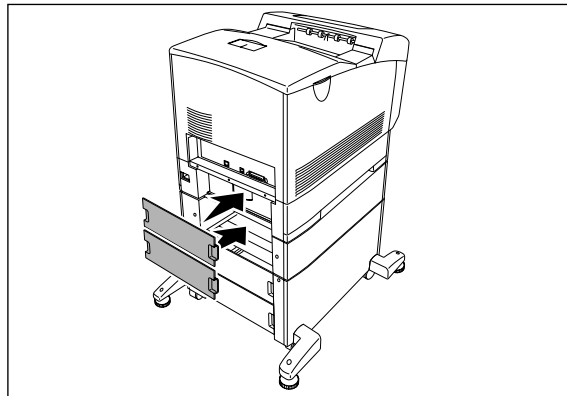


NOTE: Make sure the screws are firmly tightened.

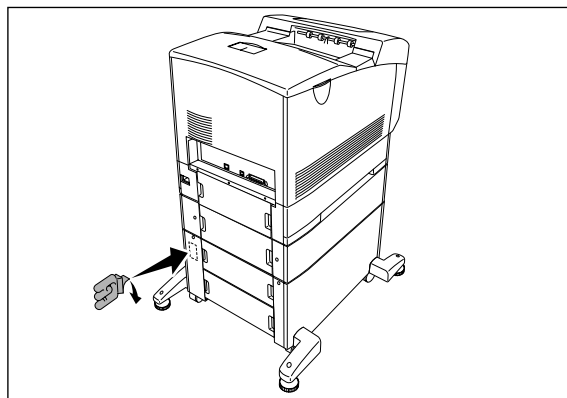
11. Insert the trays into the printer and optional 550 sheet tray module. Push the trays in until they stop.



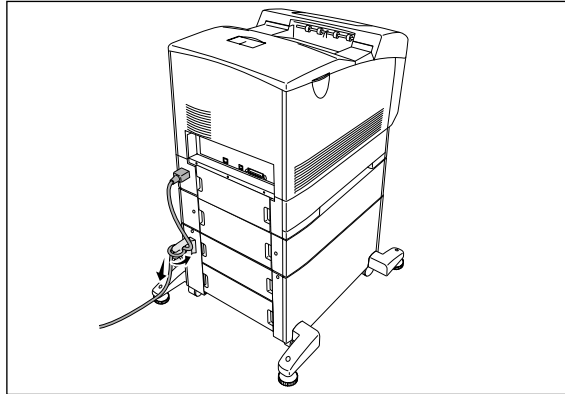
12. Reattach the tray rear covers to the back of the printer and the optional 550 sheet tray module.



13. Peel off the peel-off paper on the double-sided adhesive tape on the cable hook, and affix the cable hook on the back of the printer.



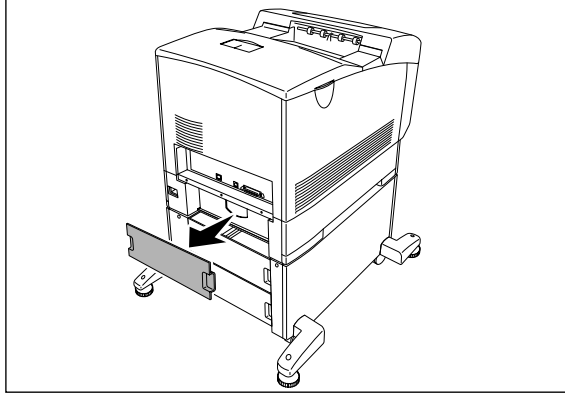
14. Plug the power cable into the power cable connector at the back of the printer, wind the power cable onto the cable hook as shown in the graphic, and lightly pull the power cable. Then, plug the other end of the cable into the grounded outlet.



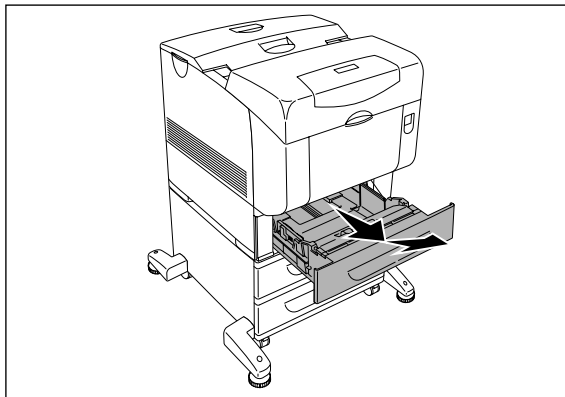
15. Turn on the printer.

Removing the Tray Module

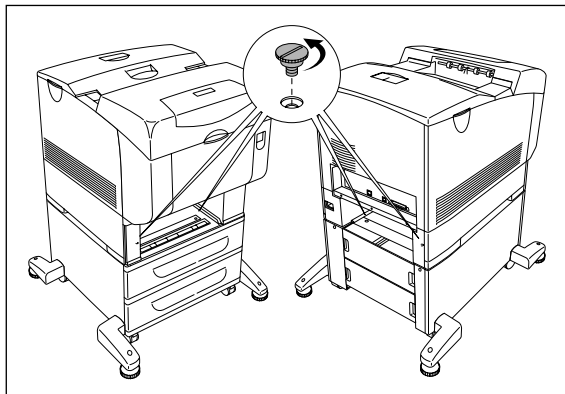
1. Turn off the printer and unplug the printer power cable.
2. Remove the tray rear cover from the back of the printer.



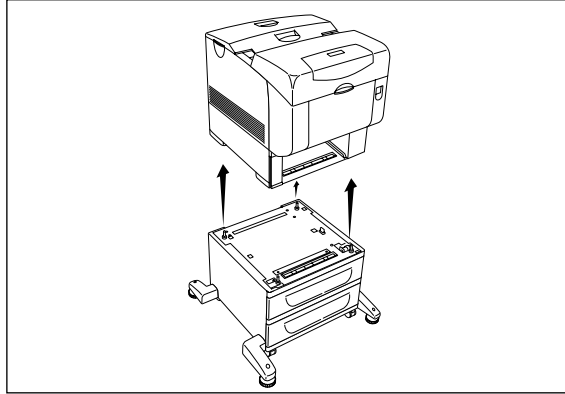
3. Pull the printer's tray out until it stops. Hold the tray with both hands, lift the front slightly and remove it from the printer.



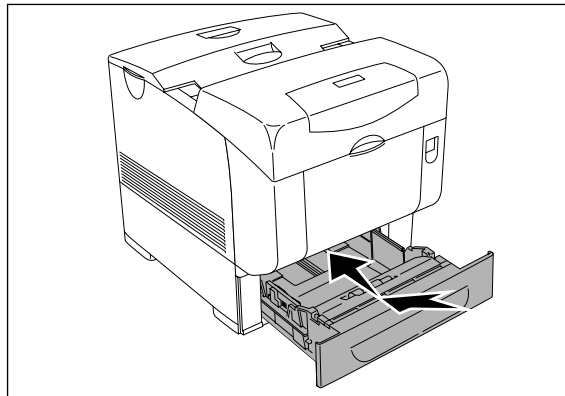
4. Using a coin, remove the four screws inside the printer.



5. Gently lift the printer off the tray module, and place it on a level surface.



6. Insert the trays into the printer. Push the trays in until they stop.



Important

- *Do not use excessive force on the tray. Doing so could damage the tray or the inside the printer.*

The following optional dedicated accessories are available with this printer. To order any of the options, contact your dealer.

Refer to

- *Installing this tray module: "Installing the Optional 550 Sheet and 1100 Sheet Tray Module" on page 6-10*
- *Available paper: "Paper Handling" on page 2-6*



Chapter 7

Understanding and Navigating the Control Panel Menus

In this Chapter . . .

- “About this Chapter” on page 7-2
- “Control Panel Features” on page 7-2
- “Navigating the Control Panel Menus” on page 7-5
- “Menu Structure” on page 7-7
- “Status Menu” on page 7-8
- “Job Library” on page 7-9
- “Job Accounting” on page 7-21
- “Paper Menu” on page 7-22
- “Interface Menu” on page 7-25
- “PS Menu” on page 7-28
- “PCL Menu” on page 7-29
- “System Menu” on page 7-32
- “Quality Menu” on page 7-34
- “Color Menu” on page 7-35
- “Functions Menu” on page 7-37
- “FLASH Menu” on page 7-38
- “DISK Menu” on page 7-39
- “Date/Time Menu” on page 7-40

About this Chapter

This chapter explains the control panel and its functions, and also demonstrates how to navigate through the control panel menus and submenus that allow you to view and change the printer settings. Web access to the printer is also discussed.

Control Panel Features

The control panel is located on the front of the printer (Figure 7-1), and contains the display, indicators, and pushbuttons that allow you to view and change the printer settings.

The figure below shows the control panel features.

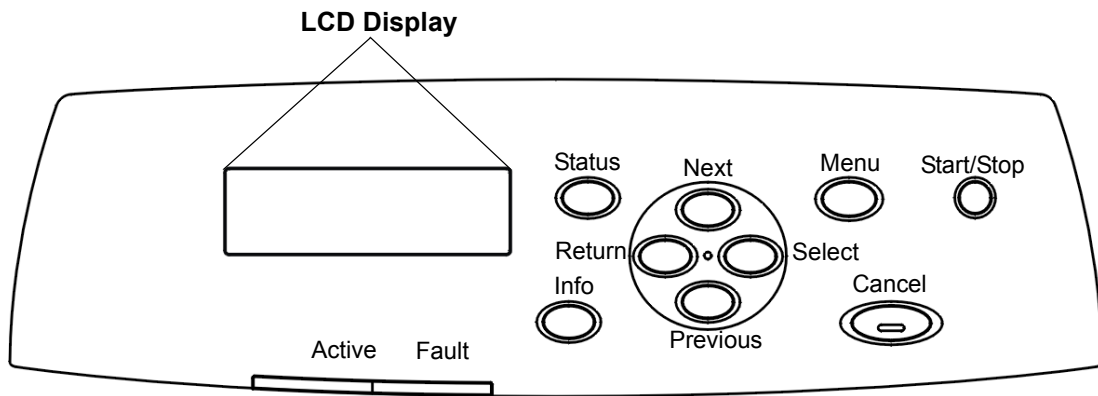





Figure 7-1: Control Panel

LCD Display

The LCD display shows status and error messages that inform you of the current status of the printer, and also displays menus, submenus, and printer settings when you are in the menu system. The display contains two lines of text, each with a maximum of sixteen characters.




LED Indicators







The LED indicators also indicate printer status. The three indicators can each be on, off, or blinking, indicating different phases of printer operation. The table below explains the LED indicators.

LED	COLOR	WHEN OFF	WHEN ON	WHEN BLINKING
Start/Stop 	Green	Printer is NOT READY	Printer is READY	N/A
Active 	Green	Printer is IDLE	Printer is ACTIVE (processing a job)	Printer is WAITING (a partial job has been printed, and the printer is waiting for additional job data)
Fault 	Red	Printer is not in error mode	There is an error that requires user intervention, such as a paper jam, a service call required, etc.	N/A

Pushbuttons

The control panel pushbuttons allow you to access and navigate menus, and also assist you in recovering from printer errors. The table below explains the functions of the nine pushbuttons.

PUSHBUTTON	FUNCTION
Start/Stop 	START/STOP—Push this button to start or stop the printer, or to exit the menu system.
Menu 	MENU—Push this button to enter the menu system.
Next 	NEXT—Push this button to move to the next menu, submenu, or setting within the same level of the menu structure.

PUSHBUTTON	FUNCTION
<p>Select</p> 	<p>SELECT—Push this button to select the menu or submenu that is shown on the second line of the display or to choose and save the setting shown on the second line of the display.</p>
<p>Cancel</p> 	<p>CANCEL—Push this button to cancel the print job.</p>
<p>Status</p> 	<p>STATUS—Push this button to enter the Status Menu. Push Next to step through the menu and press Select to view the current status of the following items on the printer:</p> <ul style="list-style-type: none"> Tray 1: Media Size, Media Type, Level Tray 2: Media Size, Media Type, Level Tray 3: Media Size, Media Type, Level Tray 4: Media Size, Media Type, Level Tray 5: Media Size, Media Type, Level Facedown Tray Cyan Toner Magenta Toner Yellow Toner Black Toner
<p>Previous</p> 	<p>PREVIOUS—Push this button to return to the previous menu, submenu, or option within the same level of the menu structure.</p>
<p>Return</p> 	<p>RETURN—Push this button to move up one level in the menu structure to the menu shown on the first line of the display.</p>
<p>Info</p> 	<p>INFO—Push this button to print a summary report of all the menus and their current settings or status.</p>

Navigating the Control Panel Menus

When you press the **MENU** button on the control panel, you enter the printer's menu system. At that point, the first line of the display contains the text "**Menu**", indicating that you are in the menu system. The second line of the display lists the active menu, which you can change by pressing the **NEXT** or **PREVIOUS** button.



Menu
Job Library

If you press the **NEXT** button repeatedly, the second line of the display cycles through the main menus in the following order:

- Job Library
- Job Accounting
- Paper Menu
- Interface Menu
- PS Menu
- PCL Menu
- System Menu
- Quality Menu
- Color Menu
- Functions
- FLASH Menu
- Disk Menu
- Date/Time Menu

NOTE: Menus and submenus may or may not be displayed, depending on the options installed.

The following figure shows the sequence of pushbuttons and display messages that would allow you to change the number of copies printed. This example illustrates the basic relationship between menus and submenus and demonstrates how the NEXT, SELECT, and START/STOP buttons help you to navigate through the menus.

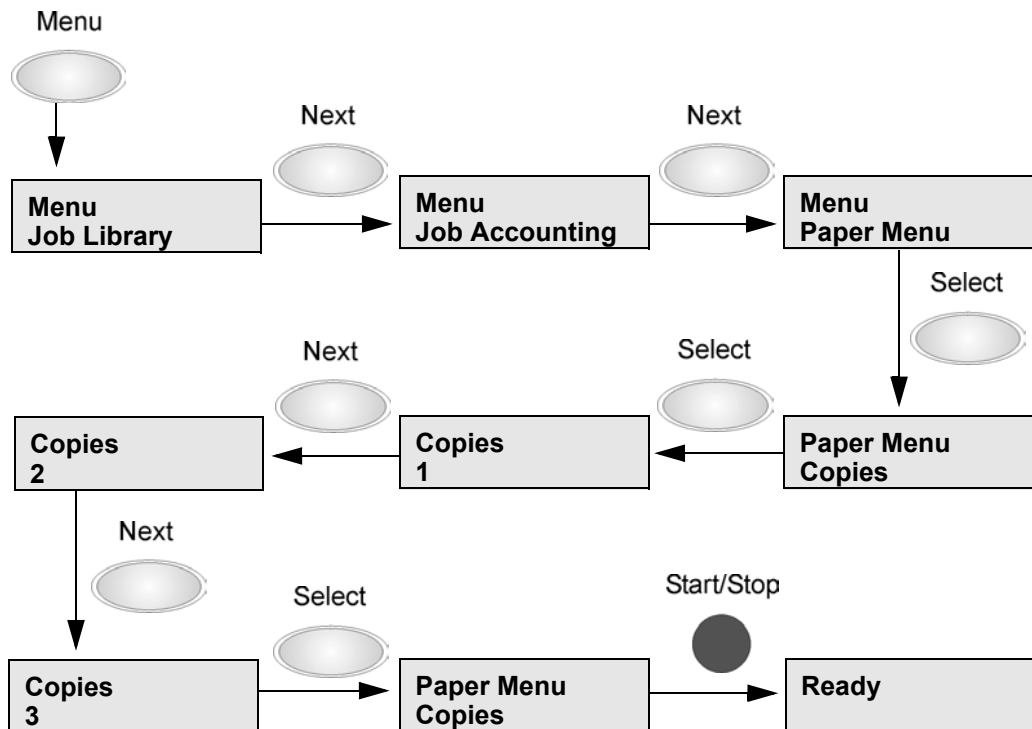


Figure 7-2: Navigating the Paper Menu

1. Press the **MENU** button on the control panel.
2. Press the **NEXT** button until the text “**Paper Menu**” is shown on the second line of the display.
3. Press the **SELECT** button to enter the paper menu.
4. Press the **SELECT** button to enter the “**Copies Menu**”.
5. Press the **NEXT** or **PREVIOUS** button to increase or decrease the number of copies printed.
6. Press the **SELECT** button to save this setting.
7. Press the **START/STOP** button to exit the menu system.

Menu Structure

The following figure shows the structure of the control panel main menus and submenus.

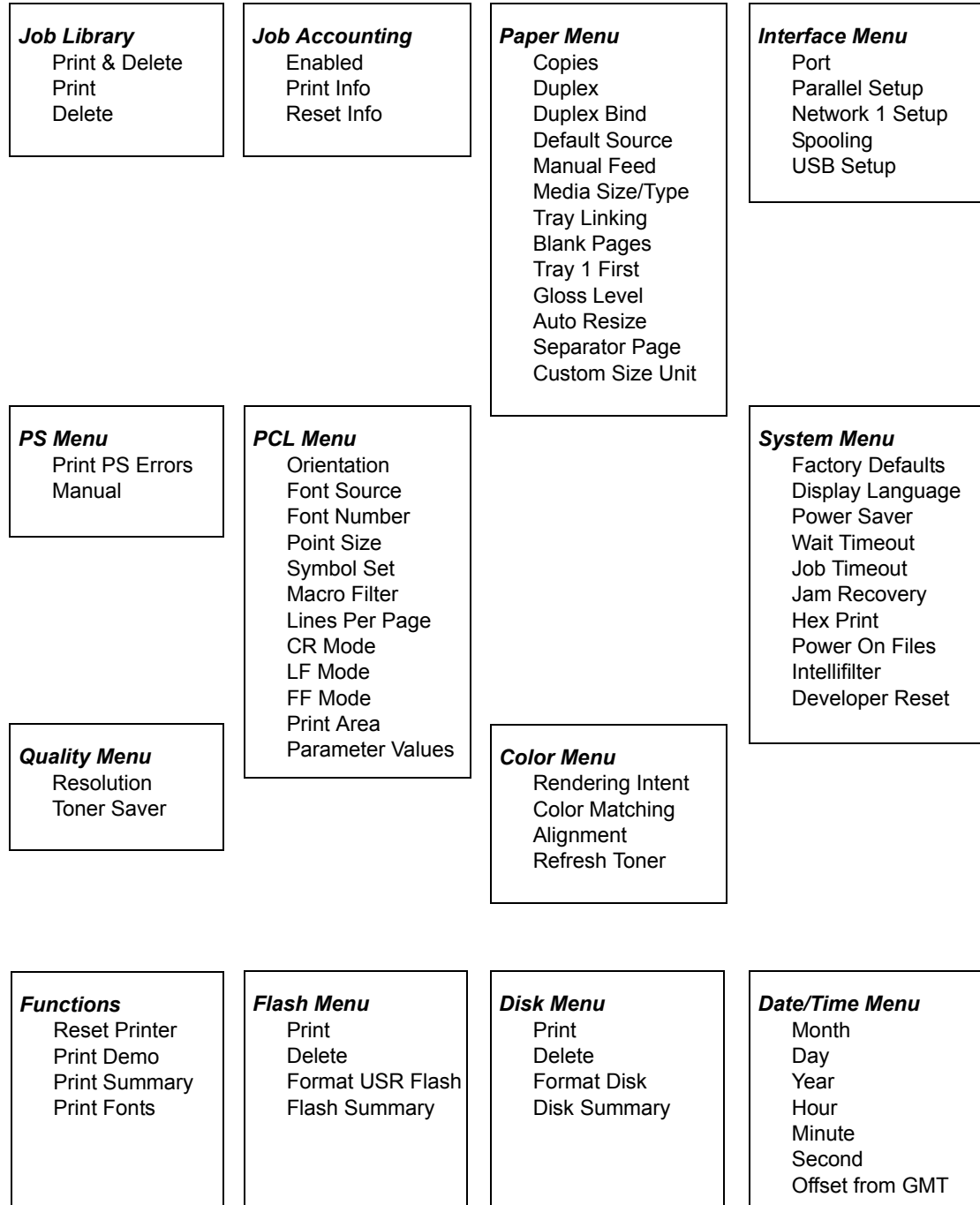


Figure 7-3: Printer Menu Structure

NOTE: Additional menus and submenus may appear in the printer menu system when other options are installed.

Status Menu

In addition to the main menus listed above, the printer also provides a status menu that allows you to view the current settings of the paper trays and the remaining supply of toner in each of the toner cartridges. Push the **STATUS** button to enter the Status Menu.

Status Menu
Tray 1
<i>Media Size</i>
<i>Media Type</i>
<i>Level</i>
Tray 2
<i>Media Size</i>
<i>Media Type</i>
<i>Level</i>
Tray 3 (Optional)
<i>Media Size</i>
<i>Media Type</i>
<i>Level</i>
Tray 4 (Optional)
<i>Media Size</i>
<i>Media Type</i>
<i>Level</i>
Tray 5 (Optional)
<i>Media Size</i>
<i>Media Type</i>
<i>Level</i>
Face Down Tray
Cyan Toner
XX%
Magenta Toner
XX%
Yellow Toner
XX%
Black Toner
XX%

Job Library

The job library feature can either be used for storing commonly used forms or for secure printing. Stored forms can be stored on the printer and printed out at any time by all users. Secured jobs can only be printed out by the job owner and only after providing a pin number.

This section describes how to save and print jobs.

First create the Print Jobs on the computer, then send and save them on the printer. Then, execute the print instruction on the printer to print out the data.

At the Computer

Here Wordpad is used with Windows 2000 as an example. The procedure is the same when using other OSs.

NOTE: Depending on the application program, the way to display the printer properties dialog box might differ. Refer to the guide of the application program used.

NOTE: The feature is available in both PS and PCL emulations.

Procedure – PCL

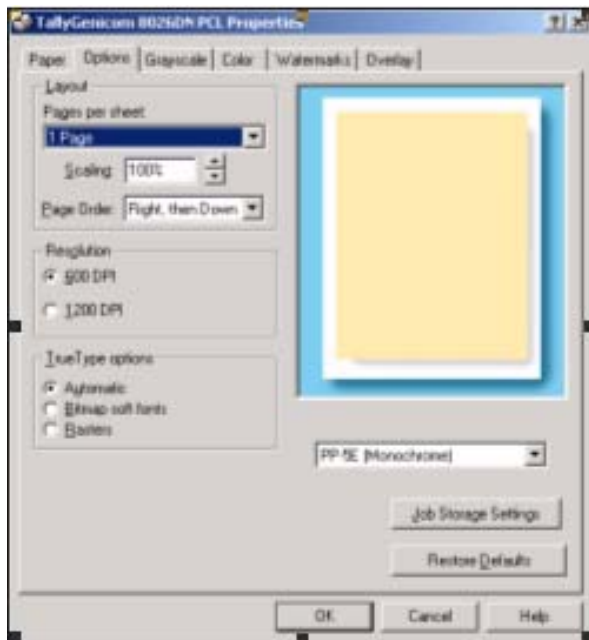
1. From Windows select [Start], [Settings], [Printers], and select the 8026 PCL driver
2. Select [Printer] and [Properties]
3. Select the [Setup] tab
4. Check the Hard Disk box and the Job Storage Enabled box.
5. Click [OK] and close the Printers dialog box.



This procedure will only need to be carried out once.

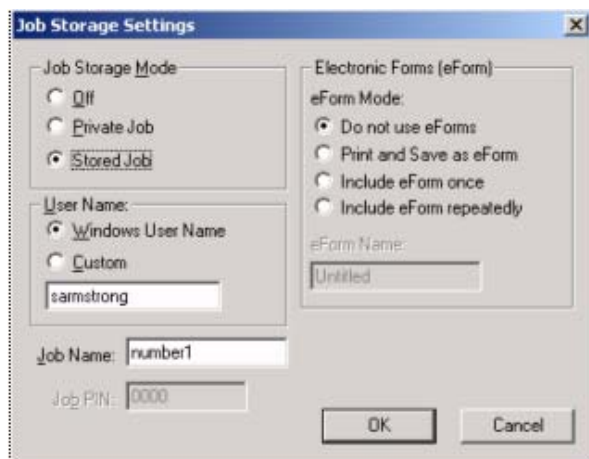
NOTE: Although you need to check the Hard Disk box, the feature will work without a hard disk installed. If a hard disk is fitted then more forms can be stored on the printer.

6. In Wordpad select [Print] from the [File] menu.
7. Select [8026 PCL] and click [Properties]
8. On the [Paper] tab, check [Enable Advanced Features]
9. On the [Options] tab click [Job Storage Settings]



10. Check the [Stored Job] box and then enter a [User Name] and a [Job Number].

The printer will create a directory using the User Name you provided and will store a job within this directory using the job number you provided.

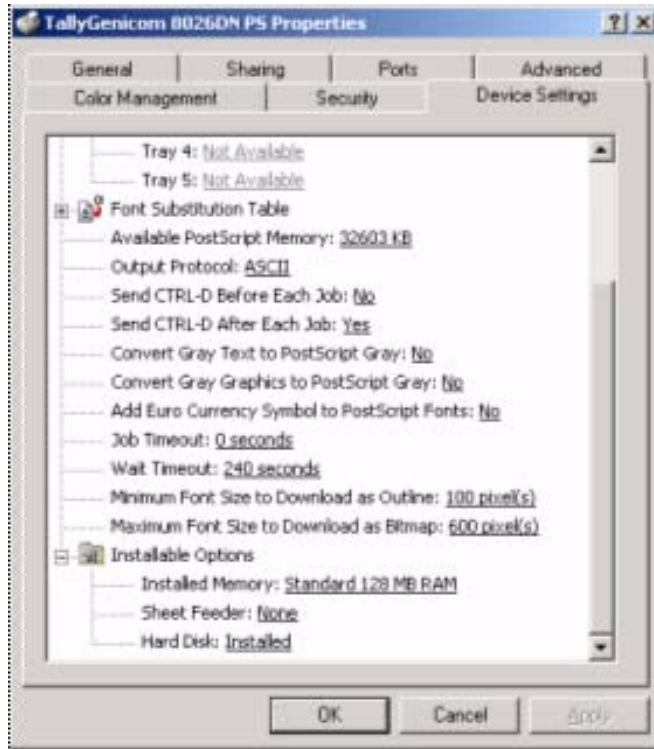


11. Click [OK] and the job will be sent and stored on the printer.

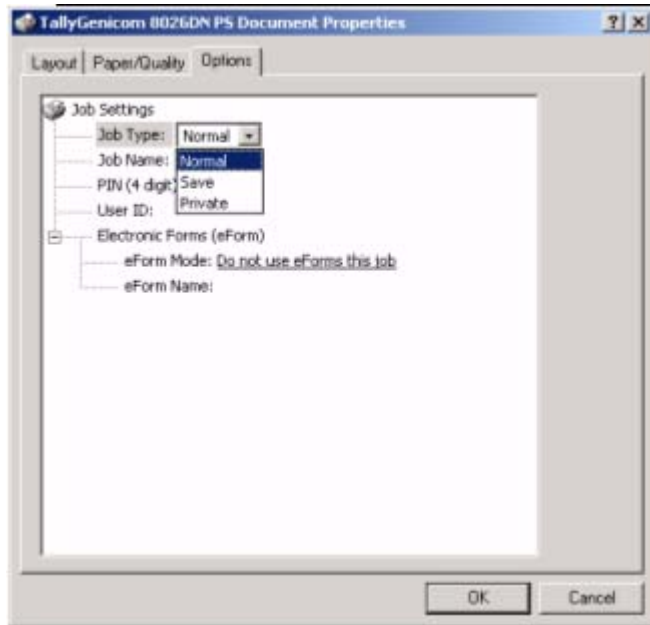
When entering the User Name and Job Number, do NOT use spaces (example Number 1)

Procedure – TallyGenicom PS

1. From Windows select [Start], [Settings], [Printers], and select the 8026 PS driver
2. Select [Printer – Properties]
3. Select the [Device Settings] tab



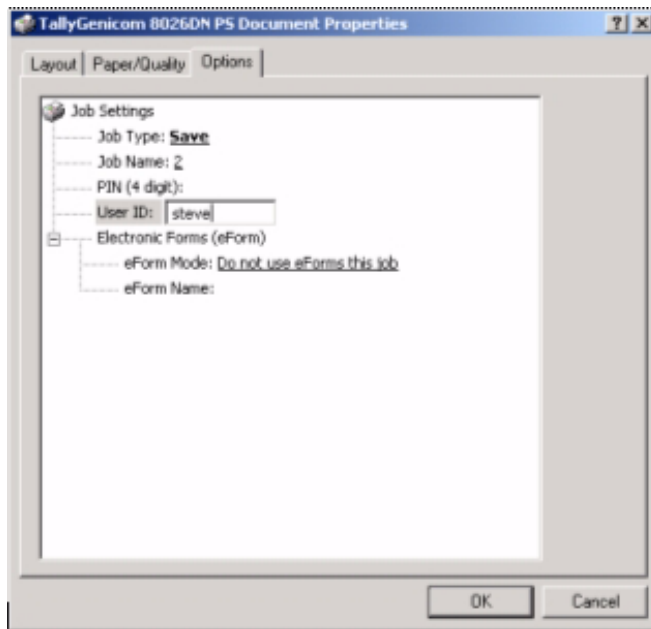
4. Select [Hard Disk] and [Installed]
5. Click [OK] and close the Printers dialog
6. In Wordpad select [Print] from the [File] menu
7. Select [8026 PS] and click [Properties]
8. On the [Options] tab select [Job Type:] and select [Save]



9. Select [Job Name] and enter a name, select [User ID] and enter a name.

The printer will create a directory using the User ID you provided and will store a job within this directory using the Job Name you provided.

When entering the Job Name and UserID, do not use spaces (example Job 1)



10. Click [OK] and the job will be sent and stored on the printer.

Operation on the control panel – for both PCL and PS

1. Press the **MENU** button on the control panel.
2. “**MENU**” is shown on the first line and “**Job Library**” is shown on the second line of the display.
3. Press the **SELECT** button to enter the Job Library menu.
4. Press the **NEXT** button to move through the submenus: **Print & Delete**, **Print**, or **Delete**.
5. Press the **SELECT** button to enter a submenu.

Use the procedures in the following table to access and change the system settings.

SUBMENU	DEFAULT SETTING	AVAILABLE SETTINGS	PROCEDURE FOR CHANGING SETTING
Print & Delete			1. Print & Delete is used to print a stored job and then delete it. The procedure the same functions as if you selected PRINT and then selected DELETE. See the Print and Delete instructions below.
Print	Print User Folder 1		1. Press NEXT or PREVIOUS to scroll through the User Folder Names. 2. Press SELECT to choose the desired User Folder.
	Print Job1		1. Press NEXT or PREVIOUS to scroll through the Print Job Names. 2. Press SELECT to choose the desired Print Job.
	Job Name PIN	This step is necessary if the job is a PRIVATE job.	1. Press NEXT or PREVIOUS to increase or decrease each digit of the four-digit number. 2. Press SELECT to set one digit and move to the next digit. 3. Press SELECT after changing the last digit to save this setting.
	Job Name Copies – Select 1-99		1. Press NEXT or PREVIOUS to increase or decrease each digit of the two-digit number. 2. Press SELECT set one digit and move to the next digit. 3. Press SELECT after changing the last digit to save this setting.
	Job Name Copies		1. Press SELECT to print the job.
	Printing Playback		1. The printer will display PRINTING on Line 1 and PLAYBACK on Line 2 of the display while printing the job.
Delete	Delete (To delete a saved job)		1. Press NEXT or PREVIOUS to scroll through Print or Delete options. 2. Press SELECT to choose Delete.

SUBMENU	DEFAULT SETTING	AVAILABLE SETTINGS	PROCEDURE FOR CHANGING SETTING
	Delete User Folder 1		1. Press NEXT or PREVIOUS to scroll through the User Folder Names. 2. Press SELECT to choose the desired User Folder.
	Delete Job1		1. Press NEXT or PREVIOUS to scroll through the Print Job Names. 2. Press SELECT to choose the desired Print Job to Delete.
	Job Name PIN	This step is necessary if the job is a PRIVATE job.	1. Press NEXT or PREVIOUS to increase or decrease each digit of the four-digit number. 2. Press SELECT to set one digit and move to the next digit. 3. Press SELECT after changing the last digit to save this setting.

Output print data stored – for both PCL and PS

This section describes the procedure to output print data stored inside the machine using the Store Print feature.

NOTE: You can also delete stored print data without printing.

1. Press <MENU>.

```
Menu
Job Library
```

2. Press <SELECT> to enter the Job Library menu.

```
Job Library
Print & Delete
```

3. Press <NEXT> to move to the submenu "Print".

```
Job Library
Print
```

4. Press <SELECT> to enter the submenu "Print".

```
Print
User * DIR
```

5. Press <PREVIOUS> or <NEXT> until desired directory is shown:

```
Print
Job1 Dir
```

6. Press <SELECT>.

```
Print
Number1
```

7. Press <PREVIOUS> or <NEXT> until the display shows the desired job.

8. Press <SELECT>.

```
Job1  
Copies    1
```

9. Press <NEXT> until the display shows the desired number of copies.

10. Press <SELECT>.

```
Processing/Printing  
Playback
```

Print secure jobs

This section describes how to print secure jobs.

At the Computer

Here Wordpad is used with Windows 2000 as an example. The procedure is the same when using other OSs.

NOTE: Depending on the application program, the way to display the printer properties dialog box might differ. Refer to the guide of the application program used.

NOTE: The feature is available in both PS and PCL emulations.

Procedure – PCL

1. From Windows select [Start], [Settings], [Printers], and select the 8026 PCL driver
2. Select [Printer] and [Properties]
3. Select the [Setup] tab
4. Check the Hard Disk box and the Job Storage Enabled box.
5. Click [OK] and close the Printers dialog box.

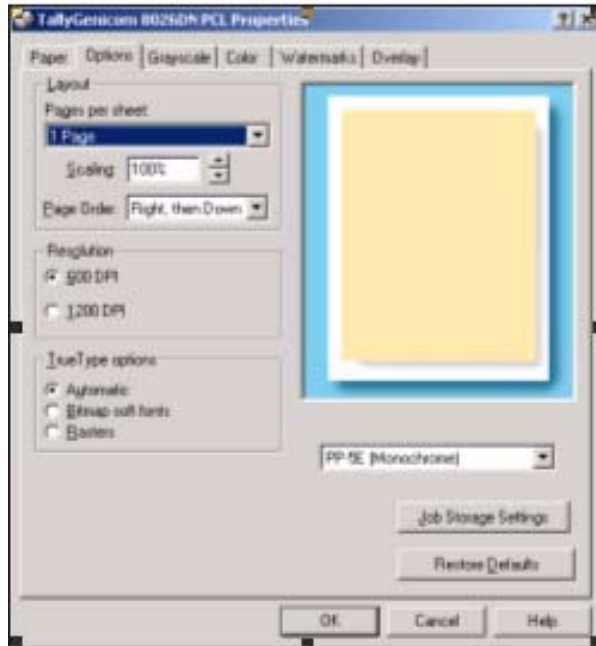


This procedure will only need to be carried out once.

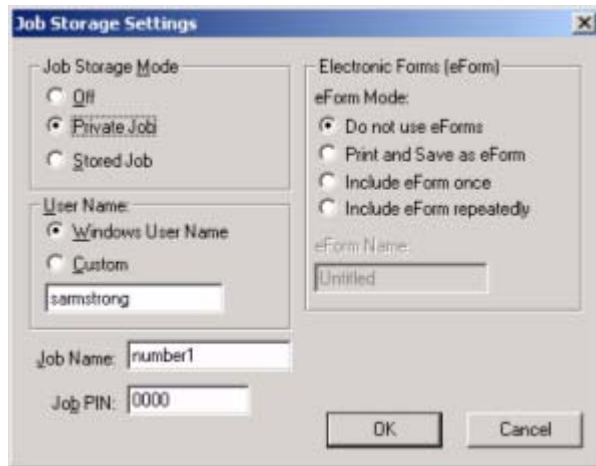
NOTE: Although you need to check the Hard Disk box, the feature will work without a hard disk installed. If a hard disk is fitted then more forms can be stored on the printer.

6. In Wordpad select [Print] from the [File] menu.
7. Select [8026 PCL] and click [Properties]
8. On the [Paper] tab, check [Enable Advanced Features]

- On the [Options] tab click [Job Storage Settings]



- Check the [Private Job] box and then enter a [User Name] , [Job Name] and a [Job Pin].



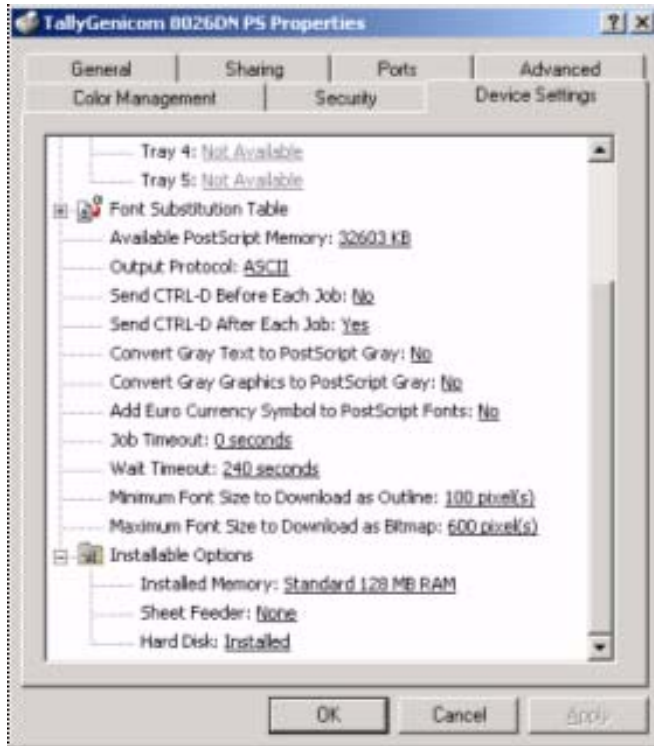
The printer will create a directory using the User Name you provided and will store a job within this directory using the job number you provided, the job is printed after you provide the Job PIN you provided.

- Click [OK] and the job will be sent and stored on the printer.

When entering the User Name and Job Number, do NOT use spaces (example Number 1)

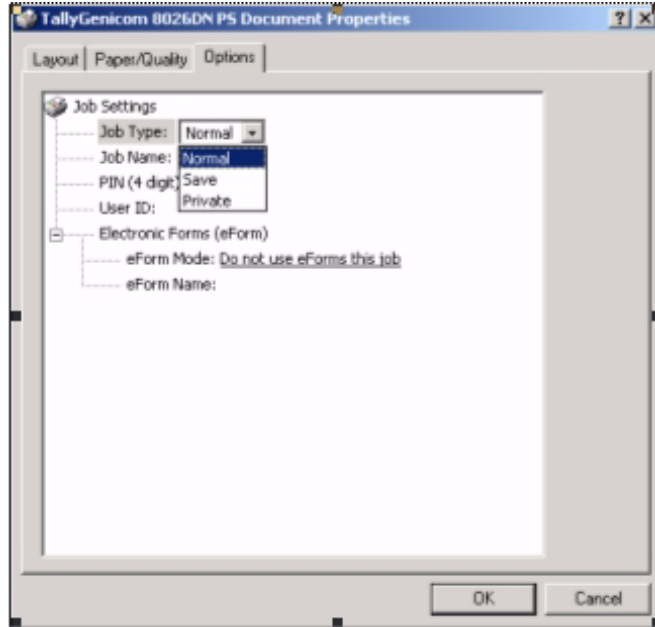
Procedure – TallyGenicom PS

1. From Windows select [Start], [Settings], [Printers], and select the 8026 PS driver
2. Select [Printer – Properties]
3. Select the [Device Settings] tab



4. Select [Hard Disk] and [Installed]
5. Click [OK] and close the Printers dialog
6. In Wordpad select [Print] from the [File] menu
7. Select [8026 PS] and click [Properties]

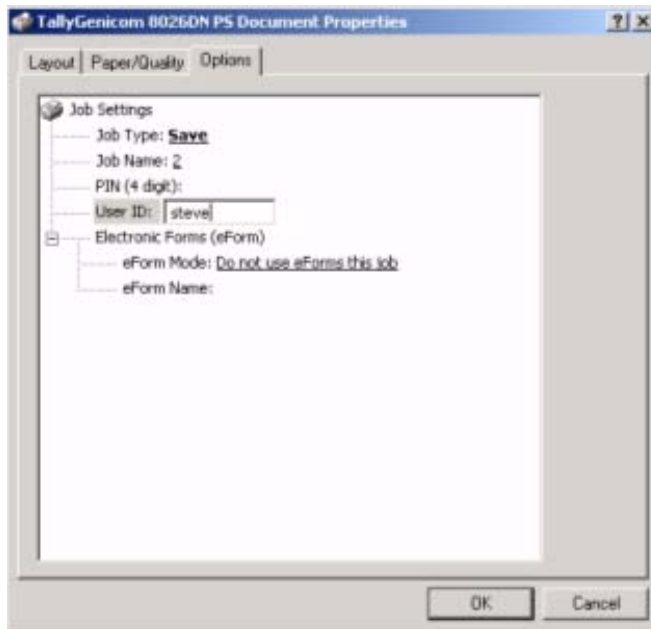
8. On the [Options] tab select [Job Type:] and select [Private]



9. Select [Job Name] and enter a name, select [User ID] and enter a name, select [PIN:] and enter a 4 digit number.

The printer will create a directory using the User ID you provided and will store a job within this directory using the Job Name you provided and will print out the job once you have entered the PIN you provided.

When entering the Job Name and UserID, do not use spaces (example Job 1)



10. Click [OK] and the job will be sent and stored on the printer.

Output print data stored – for both PCL and PS

This section describes the procedure to output print data stored inside the machine using the Store Print feature.

NOTE: You can also delete stored print data without printing.

1. Press <MENU>.

```
Menu
Job Library
```

2. Press <SELECT> to enter the Job Library menu.

```
Job Library
Print & Delete
```

3. Press <NEXT> to move to the submenu "Print".

```
Job Library
Print
```

4. Press <SELECT> to enter the submenu "Print".

```
Print
User *      DIR
```

5. Press <PREVIOUS> or <NEXT> until desired directory is shown:

```
Print
Job1        Dir
```

6. Press <SELECT>.

```
Print
Number1
```

7. Press <PREVIOUS> or <NEXT> until the display shows the desired job.

8. Press <SELECT>.

```
Number1
PIN: 0000
```

9. Press <PREVIOUS> or <NEXT> until the display the correct value for the first digit in the PIN number. Then Press <SELECT>. The cursor will move to the next digit. Repeat the process to enter the next three digits.

```
Job1
Copies      1
```

10. Press <NEXT> until the display shows the desired number of copies.

11. Press <SELECT>.

```
Processing/Printing
Playback
```


Job Library Errors

When a Job Library error occurs, the following message will be displayed:

JOBLIB Error XX
Press Start

This is a continuable-fault, which means the START key must be pressed to allow operations to continue. If the current job is aborted as a result of the error, the message "Canceling Job" may be displayed after START is pressed. "XX" in the error display above is an error code. The error codes for this message are:

- 01 – Data stream was missing a Job Name specification. (Job will be aborted.)
- 02 – Data stream was missing a User Name specification. (Job will be aborted.)
- 03 – Data stream was missing a PIN specification. (Job will be aborted.)
- 04 – Attempted to overwrite a PRIVATE job, but PIN did not match. (Job will be aborted.)
- 05 – Insufficient storage. (Job will be aborted only if it is a PRIVATE job.)

Job Accounting

The Job Accounting Menu provides access to functions and settings related to this feature. Use the following procedure to enter the Job Accounting Menu to change the settings or access the functions:

1. Press the **MENU** button on the control panel.
2. Press the **NEXT** button until the text "**Job Accounting**" is shown on the second line of the display.
3. Press the **SELECT** button to enter the Job Accounting Menu.
4. Press the **NEXT** button to move through the submenus: **Enable**, **Print Info**, **Reset Info**.
5. Press the **SELECT** button to enter a submenu.

Use the procedures in the following table to access and change the system settings.

SUBMENU	DEFAULT SETTINGS	AVAILABLE SETTINGS	PROCEDURE FOR CHANGING SETTING
Enabled	No	Yes No	1. Press NEXT or PREVIOUS to scroll through Yes or No options. 2. Press SELECT to choose Yes to turn on this function.
Print Info			1. Press SELECT to begin printing the Job Accounting Summary Report.
Reset Info			1. Press SELECT to reset the Job Accounting Information. This will delete all stored information related to jobs received by the printer.

Paper Menu

The **Paper Menu** provides access to the printer settings for various paper-handling functions. Use the following procedure to enter the paper menu:

1. Press the **MENU** button on the control panel.
2. Press the **NEXT** button until the text "**Paper Menu**" is shown on the second line of the display.
3. Press the **SELECT** button to enter the Paper Menu.
4. Press the **NEXT** button to move through the submenus.

Use the procedures in the following table to access and change the printer paper-handling settings:

SUBMENU	DEFAULT SETTING	AVAILABLE SETTINGS	PROCEDURE FOR CHANGING SETTING
COPIES This submenu allows you to change the number of copies printed.	1	Numbers 1 – 999	1. Press NEXT or PREVIOUS to increase or decrease the number of copies printed. 2. Press SELECT to save this setting.
DUPLEX This submenu allows you to turn the duplex on or off.	Off	On/Off	1. Press NEXT or PREVIOUS to toggle between ON and OFF. 2. Press SELECT to save this setting.
DUPLEX BIND This submenu allows you to choose the bind edge. Choose Long Edge or Short Edge.	Long Edge	Long Edge/Short Edge	1. Press NEXT or PREVIOUS to toggle between Long Edge and Short Edge. 2. Press SELECT to save this setting.
DEFAULT SOURCE This submenu allows you to choose a default paper source from a list of all installed sources.	Tray 2	Tray 1 Tray 2 Tray 3 (optional) Tray 4 (optional) Tray 5 (optional)	1. Press NEXT or PREVIOUS to scroll through the list of available sources of paper. 2. Press SELECT to set a source as the default.
MANUAL FEED This submenu allows you to select the use of the manual feed tray.	Off	On Off	1. Press NEXT or PREVIOUS to toggle between ON and OFF. 2. Press SELECT to save this setting.

SUBMENUS	DEFAULT SETTING	AVAILABLE SETTINGS	PROCEDURE FOR CHANGING SETTING	
<p>MEDIA SIZE/TYPE This submenu allows you to set the media type, media size.</p>	Tray 1 Size: Letter (US Default, else A4) Type: Plain Custom Size Tray 2 Type: Plain Tray 3 (optional) Type: Plain Tray 4 (optional) Type: Plain Tray 5(optional)	Medi Type Tray 1: Plain, Transparency, Prepunched, Letterhead, Colored, Preprinted, Bond, Label, Card Stock, Postcard, Envelope, Other, Thick 1, Thick 2 Other Trays: Plain, Transparency, Prepunched, Letterhead, Colored, Preprinted, Bond, Other Card Stock, Thick 1, Thick 2	Media Size Tray 1: Letter, B5, A5, A6, Statement, Executive, C5 Envelope DL Envelope, Com10 Envelope, Monarch Envelope, Legal, Folio, A4 SEF, Letter SEF Other Trays: Legal, Folio, Letter, A4, Executive, B5, A5	<ol style="list-style-type: none"> 1. Press NEXT or PREVIOUS to scroll through the list of available sources of paper. 2. Press SELECT to choose a tray. 3. Press NEXT or PREVIOUS to toggle between MEDIA TYPE, MEDIA SIZE, and AUTO-SENSE. 4. Press SELECT to choose either. 5. Press NEXT or PREVIOUS to scroll through the available sizes or types. 6. Press SELECT to set a size or type.
<p>TRAY LINKING This submenu allows you to turn the tray linking function on or off.</p>	On	On Off	<ol style="list-style-type: none"> 1. Press NEXT or PREVIOUS to toggle between ON and OFF. 2. Press SELECT to save this setting. 	
<p>BLANK PAGES This submenu allows you to choose to either print or not print blank pages of a document.</p>	Print	Print Do Not Print	<ol style="list-style-type: none"> 1. Press NEXT or PREVIOUS to toggle between PRINT and DO NOT PRINT. 2. Press SELECT to save this setting. 	
<p>TRAY 1 FIRST This menu selects the paper feed from the Tray 1 first, if paper is present in the Tray 1.</p>	Off	On Off	<ol style="list-style-type: none"> 1. Press NEXT or PREVIOUS to toggle between ON and OFF. 2. Press SELECT to save this setting. 	
<p>GLOSS LEVEL This menu selects the Gloss level of the paper present in the Tray.</p>	Normal	High Super High Normal	<ol style="list-style-type: none"> 1. Press NEXT or PREVIOUS to toggle between HIGH, SUPER HIGH, and NORMAL. 2. Press SELECT to save this setting.. 	

SUBMENUS	DEFAULT SETTING	AVAILABLE SETTINGS	PROCEDURE FOR CHANGING SETTING
AUTO RESIZE This menu will scale the output of a PS job to the size selected. It does not scale a PCL job.	Off	On Off	1. Press NEXT or PREVIOUS to toggle between ON and OFF. 2. Press SELECT to save this setting.
SEPARATOR PAGE Prints a blank page between print jobs.	Off	On Off	1. Press NEXT or PREVIOUS to toggle between ON and OFF. 2. Press SELECT to save this setting.
CUSTOM SIZE UNIT This menu is used to set the unit of measurement for the Custom Paper Size feature.	Inches (If US-Default) Millimeters (If Non-US)	Inches Millimeters	1. Press NEXT or PREVIOUS to toggle between INCHES and MILLIMETERS. 2. Press SELECT to save this setting.

Interface Menu

The **Interface Menu** provides access to the printer interface settings. Use the following procedure to enter the interface menu:

1. Press the **MENU** button on the control panel.
2. Press the **NEXT** button until the text "**Interface Menu**" is shown on the second line of the display.
3. Press the **SELECT** button to enter the interface menu.
4. Press the **NEXT** button to move through the submenus: **Port**, **Parallel Setup**, **Network 1 Setup**, **Spooling**, and **USB Setup**.

Use the procedures in the following table to access and change the printer interface settings:

SUBMENUS	DEFAULT SETTING	AVAILABLE SETTINGS	PROCEDURE FOR CHANGING SETTING
PORT This submenu allows you to enable the type of interface.	Parallel: On Network Card 1: On USB: On	Parallel: On, Off Network Card 1: On, Off USB: On, Off	<ol style="list-style-type: none"> 1. Press NEXT or PREVIOUS to toggle between PARALLEL, NETWORK CARD 1 and USB. 2. Press SELECT to save this setting.
PARALLEL SETUP This submenu allows you to set up the parallel interface.	Interpreter: Auto Switch Format: Raw Mode: Bidirectional Delay Out Close: Off Binary PS: Off	Interpreter: Auto Switch PCL PostScript 3 Format: Raw Normal Binary Mode: Bidirectional Standard Delay Out Close: Off On Binary PS: Off On	<ol style="list-style-type: none"> 1. Press NEXT or PREVIOUS to scroll through the INTERPRETER, FORMAT, MODE, DELAY OUT CLOSE, and BINARY PS submenus. 2. Press SELECT to choose a submenu. 3. Press NEXT or PREVIOUS to scroll through the settings. 4. Press SELECT to choose and save a setting.

SUBMENUS	DEFAULT SETTING	AVAILABLE SETTINGS	PROCEDURE FOR CHANGING SETTING
<p>NETWORK 1 SETUP This submenu allows you to set up the Network interface.</p>	<p>Interpreter: Auto Switch</p> <p>Format: Raw</p> <p>Network Address:</p> <p>IP Address: (user-specified)</p> <p>Subnet Mask: (user-specified)</p> <p>Default Router: (user-specified)</p> <p>LPD Banner: Off</p> <p>DHCP: On</p> <p>Delay Out Close: Off</p> <p>mDNS: On</p> <p>Local Link: 0.0.0.0</p> <p>Multit-Session: On</p> <p>AppleTalk: On</p> <p>Binary PS: Off</p> <p>Connection Speed: Auto Sense</p>	<p>Interpreter: Auto Switch PCL PostScript 3</p> <p>Format: Raw Normal Binary</p> <p>Network Address:</p> <p>IP Address: (user-specified)</p> <p>Subnet Mask: (user-specified)</p> <p>Default Router: (user-specified)</p> <p>LPD Banner: On, Off</p> <p>DHCP: Off, On</p> <p>Delay Out Close: Off, On</p> <p>mDNS: On, Off</p> <p>Local Link:</p> <p>Multit-Session: On, Off</p> <p>AppleTalk: On, OFF</p> <p>Binary PS: Off, On</p> <p>Connection Speed: Auto Sense 10 Mbit Full 10 Mbit Half 100 Mbit Full 100 Mbit Half</p>	<ol style="list-style-type: none"> 1. Press NEXT or PREVIOUS to move among the submenus. 2. Press SELECT to choose a submenu. 3. Press NEXT or PREVIOUS to scroll through the settings. 4. Press SELECT to save this setting.

SUBMENUS	DEFAULT SETTING	AVAILABLE SETTINGS	PROCEDURE FOR CHANGING SETTING
<p>SPOOLING The spooling feature allows print jobs to be automatically spooled to the Flash memory or Hard Drive. This is a diagnostic tool.</p>	<p>Start Spooling: Spool and Print Spool Only Stop Spooling: Disables spooling</p> <p>Playback: Used to read a file from the user Flash or Hard Drive</p> <p>Delete: Use to delete a spool file from the User Flash.</p> <p>Destination: User Flash Disk</p>		<ol style="list-style-type: none"> 1. Press NEXT or PREVIOUS to scroll through the SPOOLING submenus. 2. Press SELECT to choose a submenu. 3. Press NEXT or PREVIOUS to scroll through the settings. 4. Press SELECT to save this setting.
<p>USB SETUP This submenu allows you to set up the USB interface.</p>	<p>Interpreter: Auto Switch</p> <p>Format: Raw</p> <p>Delay Out Close: Off</p> <p>Binary PS: Off</p>	<p>Interpreter: Auto Switch PCL PostScript 3</p> <p>Format: Raw Normal Binard</p> <p>Delay Out Close: Off On</p> <p>Binary PS: Off On</p>	<ol style="list-style-type: none"> 1. Press NEXT or PREVIOUS to scroll through the INTERPRETER, FORMAT, DELAY OUT CLOSE, and BINARY PS submenus. 2. Press SELECT to choose a submenu. 3. Press NEXT or PREVIOUS to scroll through the settings. 4. Press SELECT to save this setting.

PS Menu

The PS Menu provides access to the PostScript settings. Use the following procedure to enter the PS Menu:

1. Press the **MENU** button on the control panel.
2. Press the **NEXT** button until the text "**PS Menu**" is shown on the second line of the display.
3. Press the **SELECT** button to enter the PS menu.
4. Press the **NEXT** button to move through the submenus: **Print PS Errors**, and **Manual Feed TO**.
5. Press the **SELECT** button to enter a submenu.

Use the procedures in the following table to access and change the PostScript settings:

SUBMENUS	DEFAULT SETTING	AVAILABLE SETTINGS	PROCEDURE FOR CHANGING SETTINGS
PRINT PS ERRORS This submenu allows you to choose to either print or not print PS errors.	Off	On Off	1. Press NEXT or PREVIOUS to toggle between ON (print) and OFF (do not print). 2. Press SELECT to save this setting.
MANUAL FEED TO This menu selects the number of prints to be printed from the tray.	00000	00000 to 99999	1. Press NEXT or PREVIOUS to increase or decrease the number. 2. Press SELECT to save this setting.

PCL Menu

The **PCL Menu** provides access to the PCL settings. Use the following procedure to enter the PCL menu:

1. Press the **MENU** button on the control panel.
2. Press the **NEXT** button until the text "**PCL Menu**" is shown on the second line of the display.
3. Press the **SELECT** button to enter the PCL menu.
4. Press the **NEXT** button to move through the submenus: **Orientation, Font Source, Font Number, Pitch, Symbol Set, Macro Filter, Lines Per Page, CR Mode, LF Mode, FF Mode, and Print Area.**
5. Press the **SELECT** button to enter a submenu.

Use the procedures in the following table to access and change the PCL settings:

SUBMENUS	DEFAULT SETTING	AVAILABLE SETTINGS	PROCEDURE FOR CHANGING SETTING
ORIENTATION This submenu allows you to choose the orientation of the page.	Portrait	Portrait Landscape	1. Press NEXT or PREVIOUS to toggle between PORTRAIT and LANDSCAPE. 2. Press SELECT to choose and save an orientation.
FONT SOURCE This submenu allows you to choose a font source.	Internal	Internal Downloaded	1. Press NEXT or PREVIOUS to scroll through the available font sources. 2. Press SELECT to choose and set a source.
FONT NUMBER This submenu allows you to set the font number.	0	Numbers 0-53	1. Press NEXT or PREVIOUS to increase or decrease the font number. 2. Press SELECT to save this setting.
POINT SIZE This submenu allows you to change the point size of text.	12.00	1.00 – 1008.00	1. Press NEXT or PREVIOUS to increase or decrease the pitch. 2. Press SELECT to save this setting.

SUBMENUS	DEFAULT SETTING	AVAILABLE SETTINGS	PROCEDURE FOR CHANGING SETTING	
SYMBOL SET This submenu allows you to choose a symbol set.	10U:PC-8 CP437	10U:PC-8 CP437 11U:PC-8 D/N 12U:PC-850 17U:PC-852 9T:PC-Turkish 19U:WIN Latin1 9E:WIN Latin2 5T:WIN Latin5 7J:Desk Top 10J:PS Text 13J:Ventura Intl 14J:Ventura US 6J:Microsoft Pub 8M:Math-8 PS:Math 6M:Ventura Math	15U:Pi Font 1U: Legal 1E: ISO4 UK 0U:ISO6 ASCII 0S:ISO11 Swedish 0I:ISO15 Italian 2S:ISO17 Spanish 1G:ISO21 German 0D:ISO60 Norweg. 1F:ISO69 French 9U:WIN3.0 Latin1 8U:Roman 8 0N:ISO 8859-1 2N:ISO 8859-2 5N:ISO 8859-5	<ol style="list-style-type: none"> 1. Press NEXT or PREVIOUS to scroll through the available symbol sets. 2. Press SELECT to choose and set a symbol set.
MACRO FILTER This submenu allows you to turn the macro filter on or off.	Off	On Off	<ol style="list-style-type: none"> 1. Press NEXT or PREVIOUS to toggle between ON and OFF. 2. Press SELECT to save this setting. 	
LINES PER PAGE This submenu allows you to change the number of lines per page.	60	5 – 128	<ol style="list-style-type: none"> 1. Press NEXT or PREVIOUS to increase or decrease the lines per page. 2. Press SELECT to save this setting. 	
CR MODE This submenu allows you to define the action prompted by a carriage return—a carriage return equals either a carriage return alone, or a carriage return and a line feed together.	CR = CR	CR = CR CR = CR/LF	<ol style="list-style-type: none"> 1. Press NEXT or PREVIOUS to choose from CR=CR or CR=CR/LF. 2. Press SELECT to save this setting. 	
LF MODE This submenu allows you to define the action prompted by a line feed—a line feed equals either a line feed alone or a carriage return and a line feed together.	LF = LF	LF = LF LF = CR/LF	<ol style="list-style-type: none"> 1. Press NEXT or PREVIOUS to choose from LF=LF or LF=CR/LF. 2. Press SELECT to save this setting. 	

SUBMENUS	DEFAULT SETTING	AVAILABLE SETTINGS		PROCEDURE FOR CHANGING SETTING
FF MODE This submenu allows you to define the action prompted by a form feed—a form feed equals either a form feed alone or a carriage return and a form feed together.	FF = FF	FF = FF FF = CR/FF		<ol style="list-style-type: none"> 1. Press NEXT or PREVIOUS to choose from FF=FF or FF=CR/FF. 2. Press SELECT to save this setting.
PRINT AREA This submenu allows you to set the print area.	Normal	Normal Expanded		<ol style="list-style-type: none"> 1. Press NEXT or PREVIOUS to toggle between the NORMAL and EXPANDED settings. 2. Press SELECT to save this setting.
PARAMETER VALUES	Paper Source: Paper Size: Executive	Paper Source: Tray 1 (=1) Tray 2 (=4 – optional tray) Tray 3 (=5 – optional tray) Tray 3 (=65-optional tray) Auto-select (=7)	Paper Size: Executive (=1) Letter (=2) Legal (=3) Statement (=4) Folio (=5) A6 (=24) A5 (=25) A4 (=26) B5 (=45) Monarch Envelope (=80) Com10 Envelope (=81) DL Envelope (=90) CS Envelope (=91)	<ol style="list-style-type: none"> 1. Press NEXT or PREVIOUS to toggle between the PAPER SOURCE and PAPER SIZE submenus. 2. Press SELECT to choose a submenu. 3. Press NEXT or PREVIOUS to scroll through the settings. 4. Press SELECT to save this setting.

System Menu

The system menu provides access to system settings. Use the following procedure to enter the system menu:

1. Press the **MENU** button on the control panel.
2. Press the **NEXT** button until the text "**System Menu**" is shown on the second line of the display.
3. Press the **SELECT** button to enter the system menu.
4. Press the **NEXT** button to move through the submenus: **Factory Defaults, Display Language, Power Saver, Wait Timeout, Job Timeout, Jam Recovery, Hex Print, Toner Low, Page Compression, and Intellifilter.**
5. Press the **SELECT** button to enter a submenu.

Use the procedures in the following table to access and change the system settings:

SUBMENUS	DEFAULT SETTING	AVAILABLE SETTINGS	PROCEDURE FOR CHANGING SETTING
FACTORY DEFAULTS This submenu allows you to reset the printer to U.S. or Non-U.S. factory defaults.	U.S.	U.S. Non-U.S.	1. Press NEXT or PREVIOUS to toggle between U.S. and NON-U.S. 2. Press SELECT to choose and set the factory defaults.
DISPLAY LANGUAGE This submenu allows you to change the language of the display messages.	English	English Francais (French) Deutsch (German) Italiano (Italian) Espanol (Spanish) ...	1. Press NEXT or PREVIOUS to scroll through the available languages. 2. Press SELECT to choose and set the language.
POWER SAVER This submenu allows you to change the time (in minutes) when the printer enters the Power Saver Mode.	15	1 to 999	1. Press NEXT or PREVIOUS to select the number of minutes. 2. Press SELECT to choose and set the time.
WAIT TIMEOUT This submenu allows you to increase or decrease the length of time (in seconds) that the printer will remain in the waiting state—a job is being processed, no end-of-file has been detected, and there is no more data to process. This setting applies to <i>both PCL and PostScript print jobs.</i>	00020	0 – 99999	1. Press NEXT or PREVIOUS to increase or decrease each digit of the five-digit number. 2. Press SELECT set one digit and move to the next digit. 3. Press SELECT after changing the last digit to save this setting.

SUBMENUS	DEFAULT SETTING	AVAILABLE SETTINGS	PROCEDURE FOR CHANGING SETTING
JOB TIMEOUT This submenu allows you to increase or decrease the time limit (in seconds) for PostScript jobs. A 0 setting indicates no timeout. This setting applies <i>only to PostScript jobs</i> .	00000	0 – 99999	1. Press NEXT or PREVIOUS to increase or decrease each digit of the five-digit number. 2. Press SELECT set one digit and move to the next digit. 3. Press SELECT after changing the last digit to save this setting.
JAM RECOVERY This submenu allows you to turn jam recovery on or off.	On	On Off	1. Press NEXT or PREVIOUS to toggle between ON and OFF. 2. Press SELECT to save this setting.
HEX PRINT This submenu allows you to print hexadecimal characters.	Off	On Off	1. Press NEXT or PREVIOUS to toggle between ON and OFF. 2. Press SELECT to save this setting.
POWER ON FILES	Playback	Playback Delete	1. Press NEXT or PREVIOUS to toggle between PLAYBACK and DELETE. 2. Press SELECT to save this setting.
INTELLIFILTER This submenu allows you to turn the Intellifilter feature on or off.	On	On Off	1. Press NEXT or PREVIOUS to toggle between ON and OFF. 2. Press SELECT to save this setting.
DEVELOPER RESET			1. Contact a Customer Service Center for assistance.

Quality Menu

The Quality Menu provides access to the printer settings that are related to print quality. Use the following procedure to enter the Quality Menu:

1. Press the **MENU** button on the control panel.
2. Press the **NEXT** button until the text "**Quality Menu**" is shown on the second line of the display.
3. Press the **SELECT** button to enter the system menu.
4. Press the **NEXT** button to move through the submenus: **Resolution** and **Toner Saver**.
5. Press the **SELECT** button to enter a submenu.

Use the procedures in the following table to access and change the system settings:

SUBMENUS	DEFAULT SETTING	AVAILABLE SETTINGS	PROCEDURE FOR CHANGING SETTING
RESOLUTION This submenu allows you to set the resolution (dpi).	600 dpi	600 dpi 1200 dpi	1. Press NEXT or PREVIOUS to scroll through the available resolutions. 2. Press SELECT to choose and set the dpi.
TONER SAVER This submenu allows you to set the printer to draft mode.	OFF	ON OFF	1. Press NEXT or PREVIOUS to toggle between ON and OFF. 2. Press SELECT to save this setting.

Color Menu

The Color Menu contains the settings related to the quality of printed color. Use the following procedure to enter the Color Menu:

1. Press the **MENU** button on the control panel.
2. Press the **NEXT** button until the text "**Color Menu**" is shown on the second line of the display.
3. Press the **SELECT** button to enter the system menu.
4. Press the **NEXT** button to move through the submenus: **Rendering Intent, Color Matching, Alignment, Refresh Toner.**

Press the **SELECT** button to enter a submenu. Use the procedures in the following table to access and change the system settings:

SUBMENUS	DEFAULT SETTING	AVAILABLE SETTINGS	PROCEDURE FOR CHANGING SETTING
<p>Rendering Intent This submenu allows you to choose from several color settings. Depending on the type of printing you do, this setting should be set to an appropriate value</p>	Photographic	<p>Photographic: This setting will print the most realistic photographic images.</p> <p>Business Graph: This setting is best suited when printing Business Graphics, Presentations, etc. This setting places emphasis on bold, saturated colors.</p> <p>Logo Art: When absolute color fidelity is important, as when corporate logos and the like are being printed, this setting will yield the greatest color fidelity. Colors that not possible to accurately produce will be remapped to the closest possible color.</p> <p>Proofing: This setting is very similar to the Logo Art setting, but the colors will be shifted by the color of the media on which you are printing.</p>	<ol style="list-style-type: none"> 1. Press NEXT or PREVIOUS to scroll through the available color rendering settings. 2. Press SELECT to choose and save this setting.

SUBMENUS	DEFAULT SETTING	AVAILABLE SETTINGS	PROCEDURE FOR CHANGING SETTING
<p>COLOR MATCHING This submenu allows you to enable automatic color correction when printer color documents in RGB format.</p>	<p>On</p>	<p>Off With this setting set to Off, RGB colors are internally converted to their CMYK equivalent and are then placed on the paper. It is possible that the colors that print will be different than what you see on your screen.</p> <p>On With this setting set to On, the RGB colors are processed by the printer's internal Color Management system before being placed on the page. The Color Rendering menu setting is used to determine the exact color translations performed. This setting will yield printed colors that are as true as possible to what you see on your screen.</p>	<ol style="list-style-type: none"> 1. Press NEXT or PREVIOUS to scroll through the available settings. 2. Press SELECT to choose and save this setting.
<p>ALIGNMENT This submenu allows you to align all four color planes (black, yellow, magenta, cyan) to obtain the best color print quality.</p>	<p>Alignment Page</p>	<p>Alignment Page: with this setting you can print the alignment page for the proper image positioning.</p> <p>K-V Adjust: to adjust black-color vertical alignment for all resolutions.</p> <p>M-V Adjust (600) or M-V Adjust (1200): to adjust magenta-color vertical alignment for 600 or 1200 dpi resolutions.</p> <p>Y-V Adjust (600) or Y-V Adjust (1200): to adjust yellow-color vertical alignment for 600 or 1200 dpi resolutions.</p> <p>C-V Adjust (600) or C-V Adjust (1200): to adjust cyan-color vertical alignment for 600 or 1200 dpi resolutions.</p> <p>M-H Adjust: to adjust magenta-color horizontal alignment.</p> <p>Y-H Adjust: to adjust yellow-color horizontal alignment.</p> <p>C-H Adjust: to adjust cyan-color horizontal alignment.</p> <p>K-H Adjust: to adjust black-color horizontal alignment for printing from Tray 2.</p>	<ol style="list-style-type: none"> 1. Print the "Alignment Page" 2. Adjust "Black color" alignment settings 3. Print the "Alignment Page" 4. Adjust Color alignment values <p>Note: see "Adjusting Colour Registration" (P. 1-25) section in Chapter 1 for more information.</p>
<p>REFRESH TONER</p>			<ol style="list-style-type: none"> 1. Pressing SELECT runs the refresh toner procedure.

Functions Menu

The Functions Menu provides access to several printer functions that can supply you with information about the printer and its settings. Use the following procedure to enter the Functions Menu:

1. Press the **MENU** button on the control panel.
2. Press the **NEXT** button until the text "**Functions Menu**" is shown on the second line of the display.
3. Press the **SELECT** button to enter the system menu.
4. Press the **NEXT** button to move through the available functions: **Reset Printer**, **Print Summary**, **Print Demo**, and **Print Fonts**.

Use the procedures in the following table to execute the functions:

FUNCTIONS	PROCEDURE FOR EXECUTING FUNCTION
RESET PRINTER This function resets the printer.	Press SELECT to reset the printer.
PRINT DEMO This function allows you to print a demo page.	Press SELECT to print a Demo Page.
PRINT SUMMARY This function prints a list of all printer settings:	Press SELECT to print a summary of the printer settings.
PRINT FONTS This function allows you to print Postscript or PCL font lists.	<ol style="list-style-type: none">1. Press NEXT or PREVIOUS to toggle between POSTSCRIPT and PCL.2. Press SELECT to select and print the specific fonts list.

FLASH Menu

NOTE: This menu selection will only appear if an optional hard disk drive or Flash DIMM has been installed. Consult the documentation that came with your hard disk drive or Flash DIMM for detailed installation and usage instructions.

The FLASH Menu provides access to the printer settings that are related to the FLASH DIMM. This menu appears when a User Flash is installed in the printer. Use the following procedure to enter the FLASH Menu:

1. Press the **MENU** button on the control panel.
2. Press the **NEXT** button until the text “**FLASH Menu**” is shown on the second line of the display.
3. Press the **SELECT** button to enter the system menu.
4. Press the **NEXT** button to move through the submenus: **Print, Delete, Format FLASH,** and **FLASH summary.**
5. Press the **SELECT** button to enter a submenu.

Use the procedures in the following table to access and change the system settings:

SUBMENUS	PROCEDURE FOR CHANGING SETTING
<p>PRINT This selection will read the selected file from FLASH and print it as if it were being received from one of the input ports.</p>	<ol style="list-style-type: none"> 1. Press NEXT or PREVIOUS to scroll through the files. 2. Press SELECT to choose and print the file.
<p>DELETE This selection will delete the selected disk file or directory from the FLASH DIMM. To delete an entire directory, you must first delete all the files within that directory.</p>	<ol style="list-style-type: none"> 1. Press NEXT or PREVIOUS to scroll through the files. 2. Press SELECT to choose and delete the file.
<p>FORMAT USR FLASH This selection will reformat the FLASH DIMM.</p>	<ol style="list-style-type: none"> 1. Press SELECT to reformat the FLASH DIMM.
<p>FLASH SUMMARY This selection will print a page containing information about the installed FLASH DIMM including a list of all the current existing files and directories.</p>	<ol style="list-style-type: none"> 1. Press SELECT to print the FLASH summary.

⚠ CAUTION

- All files on the FLASH DIMM will be deleted if the Format FLASH function is selected.
-

DISK Menu

NOTE: This menu selection will only appear if an optional hard disk drive has been installed. Consult the documentation that came with your hard disk drive for detailed installation and usage instructions.

The Disk Menu provides access to the printer settings that are related to the optional Hard Disk. Use the following procedure to enter the Disk Menu:

1. Press the **MENU** button on the control panel.
2. Press the **NEXT** button until the text “**Disk Menu**” is shown on the second line of the display.
3. Press the **SELECT** button to enter the system menu.
4. Press the **NEXT** button to move through the submenus: **Print, Delete, Format Disk, and Disk Summary.**
5. Press the **SELECT** button to enter a submenu.

Use the procedures in the following table to access and change the system settings:

SUBMENUS	PROCEDURE FOR CHANGING SETTING
<p>PRINT This selection will read the selected file from Disk and print it as if it were being received from one of the input ports.</p>	<ol style="list-style-type: none"> 1. Press NEXT or PREVIOUS to scroll through the files. 2. Press SELECT to choose and print the file.
<p>DELETE This selection will delete the selected disk file or directory from the hard disk. To delete an entire directory, you must first delete all the files within that directory.</p>	<ol style="list-style-type: none"> 1. Press NEXT or PREVIOUS to scroll through the files. 2. Press SELECT to choose and delete the file.
<p>FORMAT DISK This selection will reformat the hard disk.</p>	<ol style="list-style-type: none"> 1. Press SELECT to reformat the hard disk.
<p>DISK SUMMARY This selection will print a page containing information about the installed hard disk, including a list of all the current existing files and directories.</p>	<ol style="list-style-type: none"> 1. Press SELECT to print the Disk summary.

 **CAUTION**

- All files on the hard disk will be deleted if the Format FLASH function is selected.
-

Date/Time Menu

NOTE: This menu selection will only appear if the Real Time Clock Option has been installed. Please contact your dealer for more information on this feature.

The Date/Time Menu provides access to the printer settings that are related to print quality. Use the following procedure to enter the Date/Time Menu:

1. Press the **MENU** button on the control panel.
2. Press the **NEXT** button until the text "**Date/Time Menu**" is shown on the second line of the display.
3. Press the **SELECT** button to enter the menu.
4. Press the **NEXT** button to move through the submenus: **Month, Day, Year, Hour, Minute, Second, and Offset from GMT**. Press the **SELECT** button to enter a submenu.

Use the procedures in the following table to access and change the system settings:

SUBMENUS	AVAILABLE SETTINGS	PROCEDURE FOR CHANGING SETTING
MONTH This submenu allows you to set the current month.	January – December	1. Press NEXT or PREVIOUS to scroll through the months. 2. Press SELECT to choose and set the month.
DAY This submenu allows you to set the current day.	Monday – Sunday	1. Press NEXT or PREVIOUS to scroll through the days. 2. Press SELECT to choose and set the day.
YEAR This submenu allows you to set the current year.	2000 – 2099	1. Press NEXT or PREVIOUS to scroll through the years. 2. Press SELECT to choose and set the year.
HOUR This submenu allows you to set the current hour.	1-12	1. Press NEXT or PREVIOUS to scroll through the hours. 2. Press SELECT to choose and set the hour.
MINUTE This submenu allows you to set the current minute.	1 – 59	1. Press NEXT or PREVIOUS to scroll through the minutes. 2. Press SELECT to choose and set the minute.
SECOND This submenu allows you to set the time in seconds.	1 – 59	1. Press NEXT or PREVIOUS to scroll through the seconds. 2. Press SELECT to choose and set the second.
OFFSET FROM GMT This submenu allows you to set time for a different time zone in hours, minutes and seconds.	-12 through + 12	1. Press NEXT or PREVIOUS to scroll through the submenus. 2. Press SELECT to choose and set the hours, minutes or seconds.



Chapter 8

Optional Extended Features

In this Chapter . . .

- “About this Chapter” on page 8-2
- “Installing DRAM Memory DIMMS” on page 8-2
- “Installing the Hard Disk/Compact Flash Option” on page 8-4
- “Installing the Flash Option in the Printer” on page 8-6
- “Using the Hard Disk/Compact Disk Option and User Flash DIMM Module” on page 8-9
- “Collating, Saved Jobs, and Job Accounting” on page 8-14
- “Using the Custom Paper Size Feature” on page 8-31
- “Custom Page size and Microsoft Word, Word 2000, and Word 2003” on page 8-35
- “Accessing the Printer Web Page” on page 8-37

About this Chapter

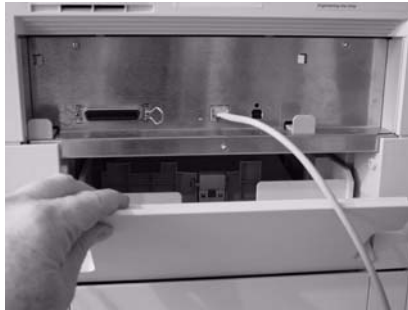
This chapter describes the procedures for installation of DRAM Memory DIMMs and the Hard Disk Option. Also describes how to use the extended features associated with these options.

Installing DRAM Memory DIMMS

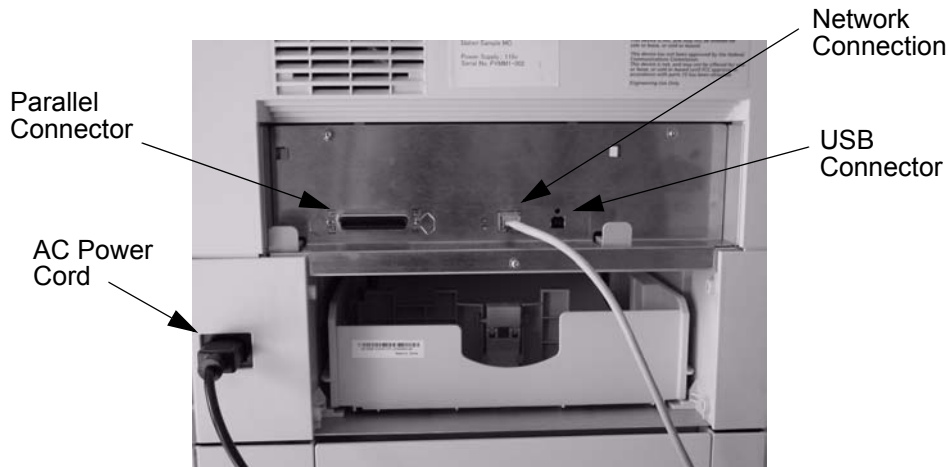
1. Carefully review the safety precautions in the front of this guide before starting this installation procedure.
2. Ensure that the printer power switch is set to the OFF [●] position.



3. Remove Tray 2 Rear Cover.



4. Disconnect the power cord and signal cable from the back of the printer.



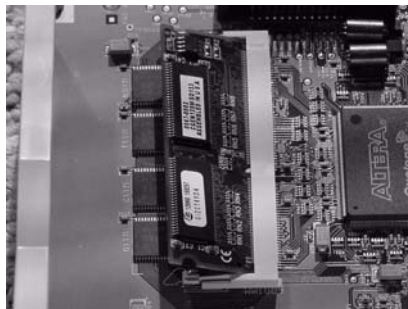
5. Remove the three screws that secure the controller assembly.



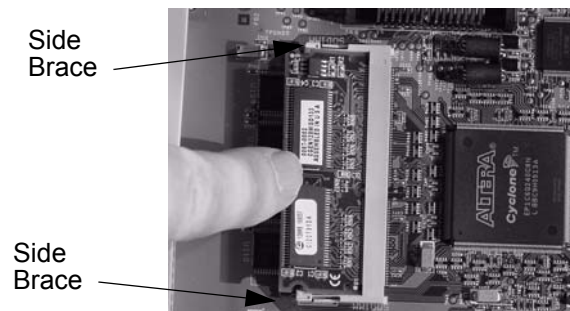
6. Remove the controller assembly.



7. Carefully insert a DRAM DIMM which is compatible with your printer into DRAM DIMM slot as shown below. Insert at a 45 degree angle into the DRAM connector.



8. When properly seated, gently push down on the DIMM until the side braces close onto the edges of the DIMM.



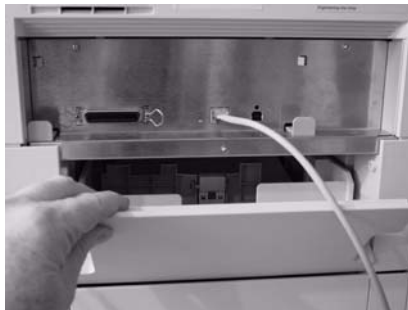
9. Reinstall the controller assembly in reverse order as shown in Steps 5 and 6.
10. Reconnect the power cord and signal cable to the printer as shown in Step 4. Reinstall the Tray 2 rear cover as shown in Step 3.
11. Turn the printer power switch to the ON [I] position.

Installing the Hard Disk/Compact Flash Option

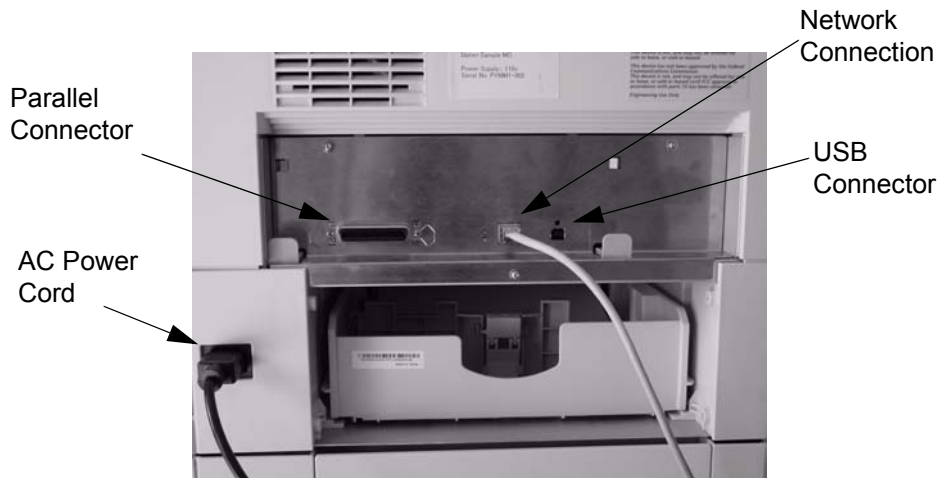
1. Carefully review the safety precautions in the front of this guide before starting this installation procedure.
2. Ensure that the printer power switch is set to the OFF [●] position.



3. Remove Tray 2 Rear Cover.



4. Disconnect the power cord and signal cable from the back of the printer.



5. Remove the three screws that secure the controller assembly.



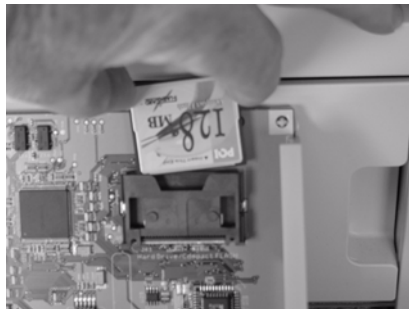
6. Remove the controller assembly.



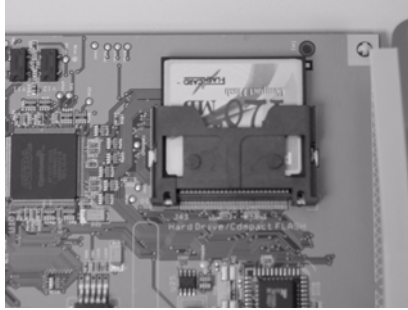
7. The connector for the Compact Flash is located in the corner of the controller assembly.



8. Insert the Compact Flash into the connector on the controller assembly.



9. Ensure the Compact Flash is pressed all the way into the connector.



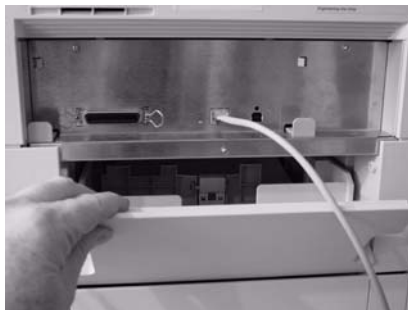
10. Reinstall the controller assembly in reverse order as shown in Steps 5 and 6.
11. Reconnect the power cord and signal cable to the printer as shown in Step 4. Reinstall the Tray 2 rear cover as shown in Step 3.
12. Turn the printer power switch to the ON [I] position.

Installing the Flash Option in the Printer

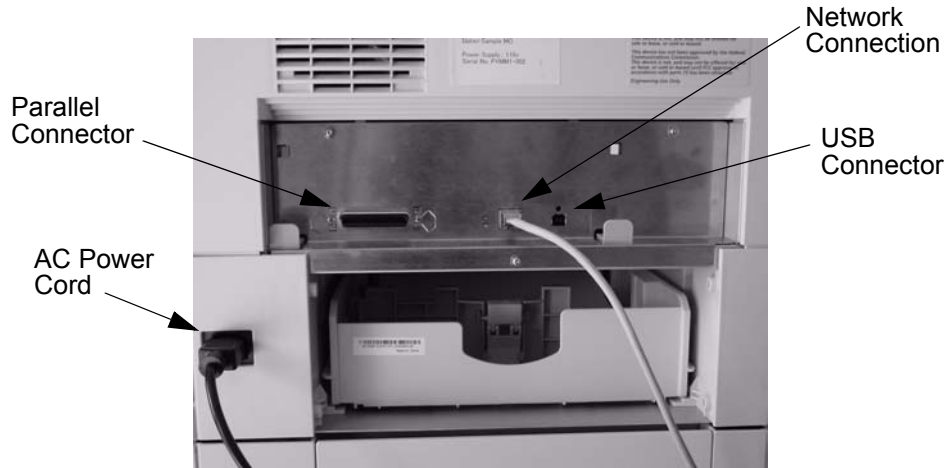
1. Carefully review the safety precautions in the front of this guide before starting this installation procedure.
2. Ensure that the printer power switch is set to the OFF [O] position.



3. Remove Tray 2 Rear Cover.



4. Disconnect the power cord and signal cable from the back of the printer.



5. Remove the three screws that secure the controller assembly.



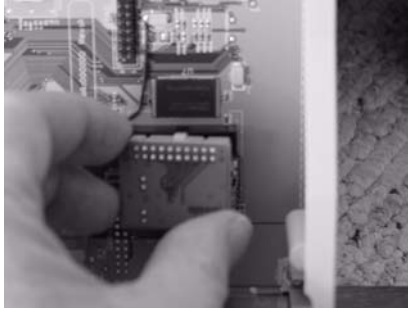
6. Remove the controller assembly.



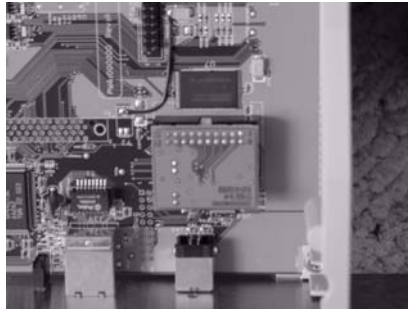
7. The connector for the Flash is located on the right of the controller assembly.



8. Insert the Flash into the connector on the controller assembly.



9. Ensure the Flash is pressed all the way into the connector.



10. Reinstall the controller assembly in reverse order as shown in Steps 5 and 6.
11. Reconnect the power cord and signal cable to the printer as shown in Step 4. Reinstall the Tray 2 rear cover as shown in Step 3.
12. Turn the printer power switch to the ON [I] position.

Using the Hard Disk/Compact Disk Option and User Flash DIMM Module

This section discusses the available control panel menus when the Hard Disk/Compact Flash or User Flash option is installed. Power-on files and the storage of files on the Hard Disk/Compact Flash and User Flash option are also discussed.

Operator Panel MENU Structure

When the Hard Disk or User Flash option is installed, the printer control panel menu structure is enhanced as shown in the following table. The shaded areas denote additional features and settings relevant to the Hard Disk or User Flash option.

Menu				
	Job Library			
	Job Accounting			
	Paper Menu			
	Interface Menu			
	PS Menu			
	PCL Menu			
	System Menu			
		Display Language		
		Alarm Control		
		Power Saver		
		Wait Timeout		
		Job Timeout		
		Jam Recovery		
		Hex Print		
		Intellifilter		
		Power-On Files		
			Playback	FILE01.POR
				FILE02.POR
				FILE03.POR
				...
				...
			Delete	FILE01.POR
				FILE02.POR
				FILE03.POR
				...
				...
	Quality Menu			
	Functions			
	Disk Menu			
		Print		
		Delete		
		Format Disk		
		Disk Summary		
	Flash Menu			
		Print		
		Delete		
		Format Usr FLASH		
		Flash Summary		

NOTE: 1. The Flash Menu and Disk Menu will only appear when the respective FLASH SIMM and/or Hard Disk/Compact Flash option is installed.
2. Power-On Files menu will only appear if either a FLASH SIMM or a Hard Disk/Compact Flash option is installed and power-on files exist.

Using the Disk Menu

Manipulation of files stored on the hard disk option can be accomplished using the Disk Menu.

Disk Menu	
	Print
	Delete
	Format Disk
	Disk Summary

Print

This selection will read the selected file from the Hard Disk and print it as if it were being received from one of the input ports.

Delete

This selection will delete the selected disk file or directory from the hard drive. To delete an entire directory, you must first delete all the files within that directory.

Format Disk

This selection will reformat the hard drive. All files on the hard drive will be deleted if this function is selected.

Disk Summary

This selection will print a page containing information about the hard disk drive including a list of all the current existing files and directories.

Using the Flash Menu

Manipulation of files stored in the FLASH SIMM can be accomplished using the Flash Menu.

Flash Menu	
	Print
	Delete
	Format Usr Flash
	Flash Summary

Print

This selection will read the selected file from the FLASH SIMM and print it as if it were being received from one of the input ports.

Delete

This selection will delete the selected file or directory from the FLASH SIMM. To delete an entire directory, you must first delete all the files within that directory.

Format Usr Flash

This selection will reformat the FLASH SIMM. All files on the FLASH SIMM will be deleted if this function is selected.

Flash Summary

This selection will print a page containing information about the FLASH SIMM including a list of all the current existing files and directories.

Using the FLASH SIMM or Hard Disk/Compact Flash Option as a PostScript Device

In order to allow PostScript programs to access the FLASH SIMM and/or hard disk/Compact Flash options, a full implementation of a PostScript storage device is provided. This section discusses an overview of the PostScript operators and parameter sets that are included in the support.

For detailed information on using the operators/parameter sets, please refer to the following publications:

- PostScript Language Reference Manual
- Adobe PostScript 3 Version 3010 Product Supplement

Device Names and Priority

The device names assigned to the FLASH SIMM and hard disk options are as follows:

%flash%	device name for the FLASH SIMM
%disk0%	device name for the hard disk

If both devices are installed, both devices can be referenced uniquely by name. If no device name is specified in the PostScript operation, the *SearchOrder* parameter in the device parameter set establishes the priority for file operations. When both devices are installed, the *SearchOrder* value for the hard disk is set to 1, while the *SearchOrder* value for the FLASH SIMM is set to 2. This gives priority to the hard disk.

PostScript Operators

All of the standard file-object related operators (file, read, write, etc.) are supported. In addition, following is a list of device-related PostScript Compatibility operators that are supported for use with the FLASH SIMM(%flash%) or hard disk (%disk0%) options:

- devdismount
- devforall
- devformat
- devmount
- devstatus
- diskonline
- diskstatus
- initializedisk
- dosysstart
- setdosysstart

Device Parameter Sets

When installed, a device parameter set will be supported for either or both FLASH SIMM and hard disk options. The parameter sets can be referenced using the device names *%flash%* or *%disk0%*. Each parameter set will include the following parameters:

- LogicalSize
- Writeable
- BlockSize
- Searchable
- SearchOrder
- Type
- Mounted
- HasNames
- PhysicalSize
- InitializeAction
- Free
- Removable

Warmstart.ps and Sys/Start Files

When either or both the FLASH SIMM or hard disk/compact flash options are installed, there are two features which provide support for automatic execution of a PostScript program during power-on initialization.

The first feature is the *warmstart.ps* file. Each time the printer is powered on, either or both optional storage devices will be checked for a file named *warmstart.ps*. If this file is found, it will be read and parsed by the PostScript interpreter. It is up to the PostScript programmer to create the content of this file and get the file onto the storage device using the PostScript device and file operators.

The second feature is the *Sys/Start* file. If either or both of the optional storage devices are installed, an additional parameter will be supported in the System Parameter set. This parameter is an integer parameter called *StartupMode* and is set to 1 by default.

NOTE: This parameter can be read or written using the *dosysstart* and *setdosysstart* operators.

Each time the printer is powered on, if the *StartupMode* parameter is set to 1, either or both the optional storage devices will be searched for a file called *Sys/Start*, a file named *Start* in a path called *Sys*. If this file is found, it will be read and parsed by the PostScript interpreter. Again, it is up to the PostScript programmer to create the content of this file and get the file onto the storage device using the PostScript device and file operators.

Using the Power-On Files Feature

Power-on Files Defined

If a FLASH DIMM or hard disk drive/Compact Flash is installed in your printer, your printer has the capability of storing additional power-on files which can be read and interpreted at power-on. Power-on files are processed at power-on initialization only and not at the start of every print.

Power-on files can contain either PCL or PostScript language content. Examples of power-on files include soft fonts, and macro/overlay definitions. The FLASH DIMM can store approximately 8MB of file storage, the hard disk drive/Compact Flash storage depends on the size of the drive that is installed in your printer.

Optional operator panel menu selections become available when either of these options are installed and power-on files are detected.

Collating, Saved Jobs, and Job Accounting

The features discussed in this section are designed to work with the Hard Disk/Compact Flash Option. However, if no Hard Disk/Compact Flash Option is installed, but a User Flash Option is installed, these features will utilize the User Flash Option. If both the Hard Disk Option and a User Flash Option are installed, these features will default to the Hard Disk/Compact Flash Option.

There are two new features available using the Hard Disk or User Flash Option; Collating and Saved Jobs. The drivers that support these new features are as follows:

- PCL – All windows platforms
- PostScript – Windows 2000 and Windows XP

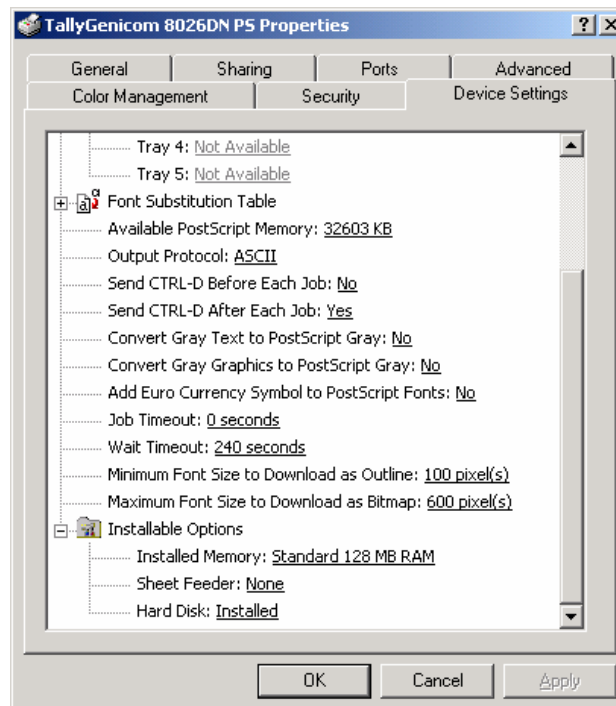
Collating Feature

When this feature is enabled, multiple copies of the entire document (all pages e.g. 1-3, 1-3, 1-3) will be printed in sequential order rather than multiple copies of each individual page (111, 222, 333).

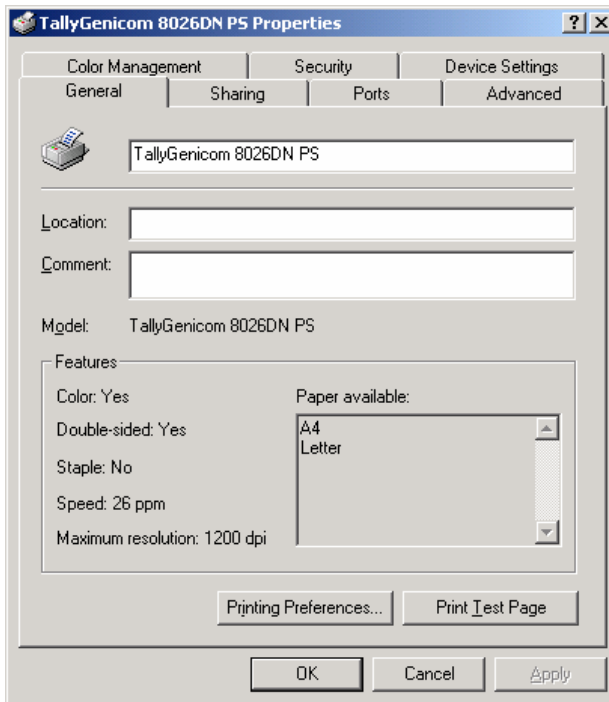
You access the collating feature through the drivers that support this feature. But, before these features can be used, either Flash or Disk must be set as installed in driver Device Settings. To access the Collating feature on your desktop, go to the **Start** menu, left click on **Settings**, left click on **Printers**, and then click on your printer driver icon, right click and follow the menu to the **Properties** menu.

Use the following procedure to enable collating using the PS driver:

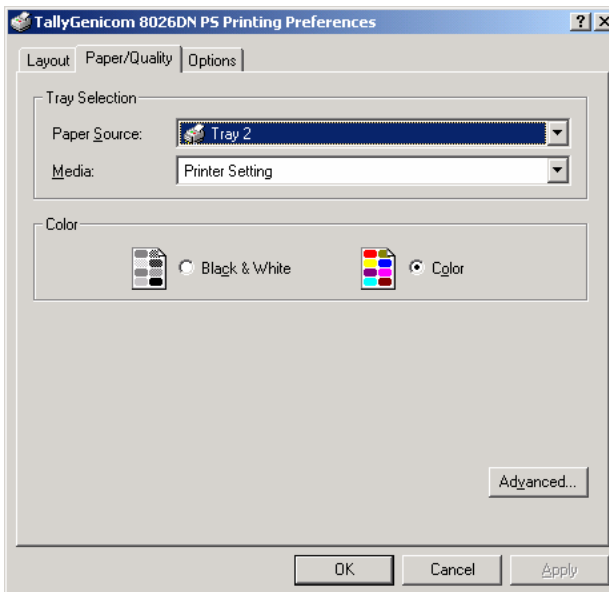
1. Click on the **Device Settings** button. Scroll down and make sure a Hard Disk option or User Flash is installed. Then click the **OK** button. A Hard Disk or User Flash must be installed to use the Collating Feature..



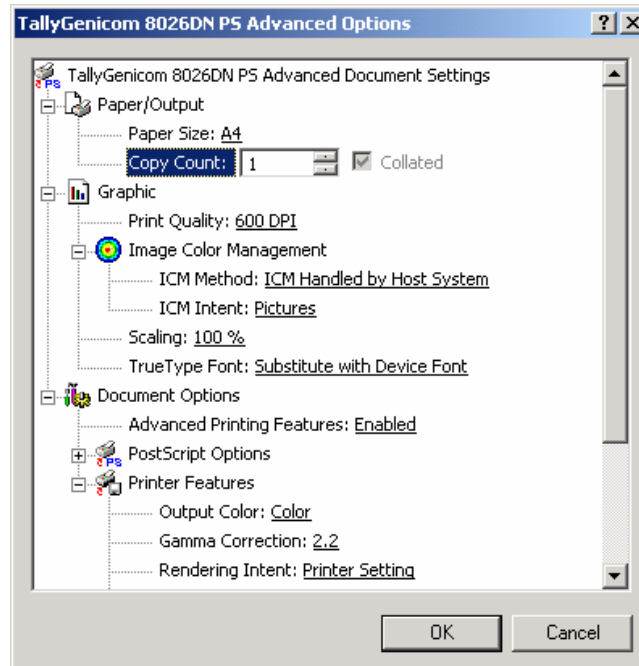
2. Right click on the Printer icon and select the **Properties** option from the list.
3. Click on the **Printing Preferences** button.



4. Click on the **Paper Quality** button and then the **Advanced** button.



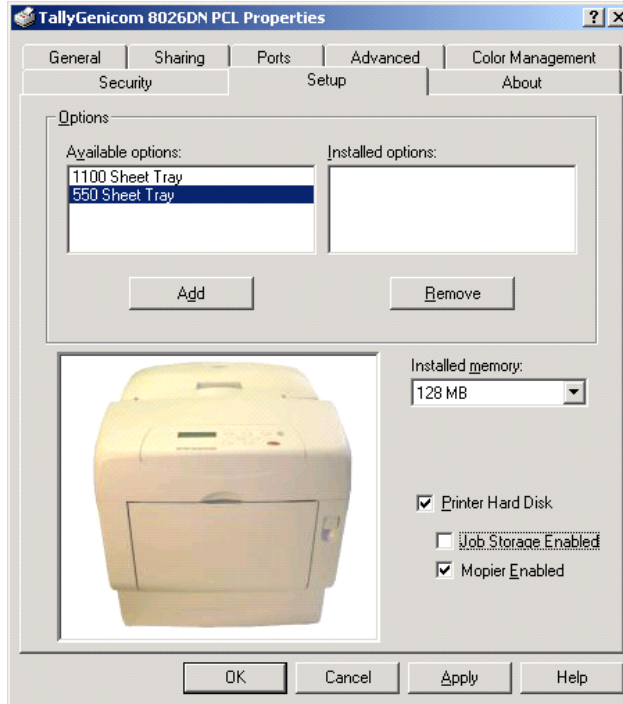
5. Click on the **Copy Count** button to enter the number of copies and make sure the **Collate** button is checked.



6. Click to **OK** button and your printer driver is set to collate the number of copies specified.

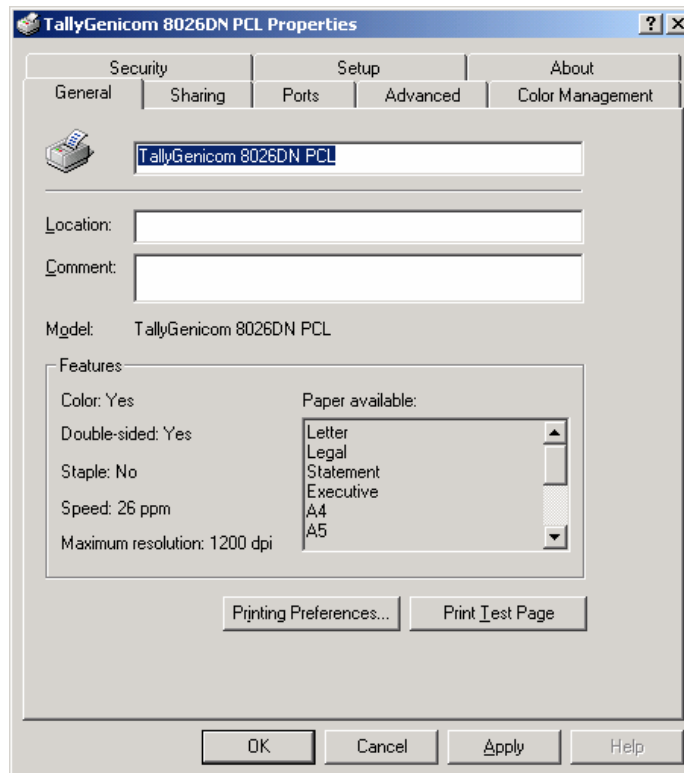
Use the following procedure to enable collating with the PCL driver:

1. Right click on the Printer icon and select the **Properties** option from the list. Then click on the Setup Tab. Then check the **Hard Disk** and **Mopier** check boxes. A Hard Disk or User Flash must be installed to use the Collating/Mopier feature.

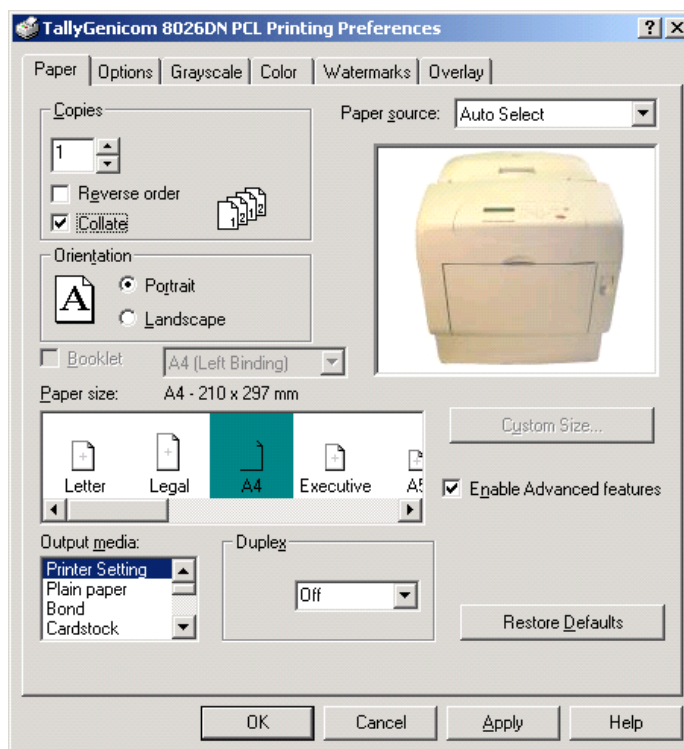


2. Right click on the Printer icon and select the **Properties** option from the list.

3. Click on the **Printing Preferences** button.



4. Check the **Enable Advanced Features** check box.



5. Select the number of copies and check the **Collate** check box.

6. Click the **OK** button and your printer driver is set to collate the number of copies specified.

Saved Jobs Feature

You can create saved jobs using the drivers that support this feature. The drivers that support this feature are as follows:

- PCL – All windows platforms
- PostScript – Windows 2000 and Windows XP

There are three job types available, Normal, Saved, and Private. The descriptions of the job types are as follows:

Normal

A normal print job. No print job data is saved.

Saved

The print job data is saved on the Hard Disk or User Flash Option. The job will be saved in the “Job Library” folder. A sub-folder in the Job Library folder will be created, if necessary, for the user, as specified by the user name. The print job will be stored in a file in this folder with a name created by the user in the job name field of the printer driver.

Private

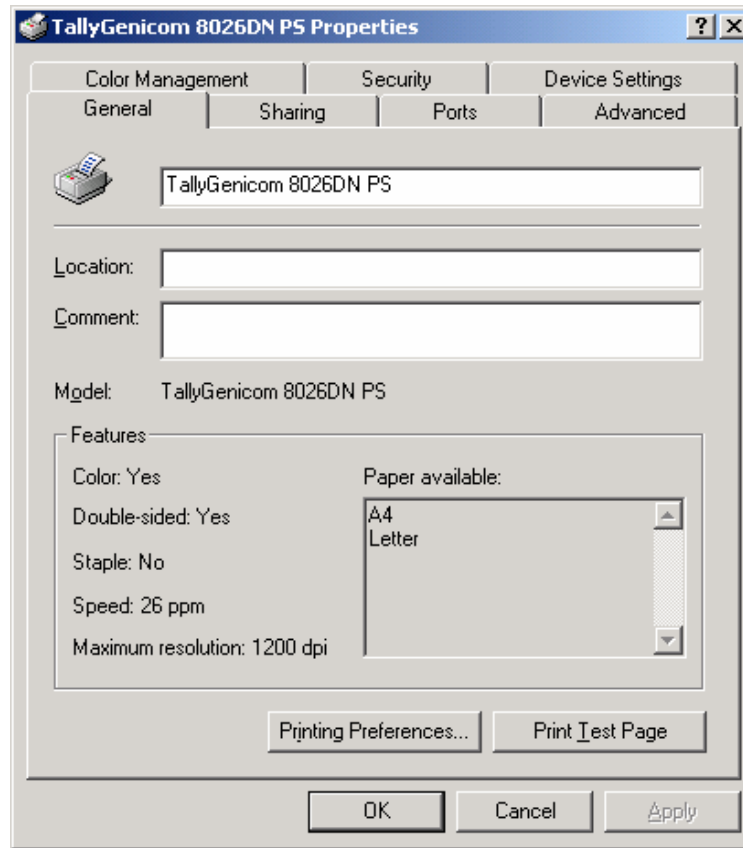
The print job data is saved on the Hard Disk or User Flash Option. The job will be saved in the “Job Library” folder. A sub-folder will be created, or the by the user as specified by user name. The print job will be stored in a file in this folder, with a name specified by user in the job name field of the printer driver. “Private” print job files are secured by having an associated PIN which is entered in the PIN field of the driver by the user. Any access to this file will require the PIN to be entered.

To access the Saved Jobs on your desktop, go to the Start menu, left click on Settings, left click on Printers, and then click on your printer driver icon, right click and follow the menu to the Properties menu.

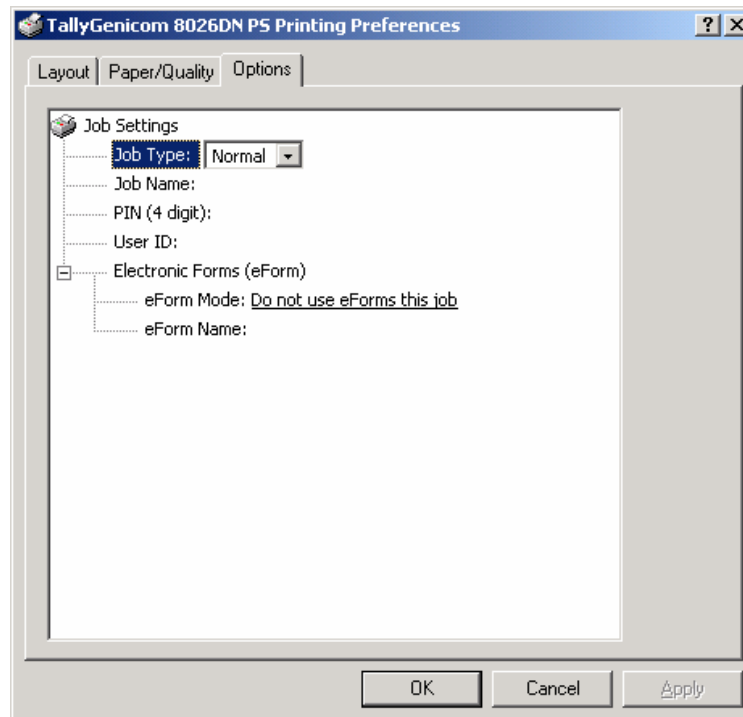
NOTE: Before you can use this feature you will need to make sure a Hard Disk or User Flash is installed and enabled in the driver. See the previous section on collating for instructions on how to do this.

Use the following procedure to enable the Saved Jobs Feature with the PS driver.

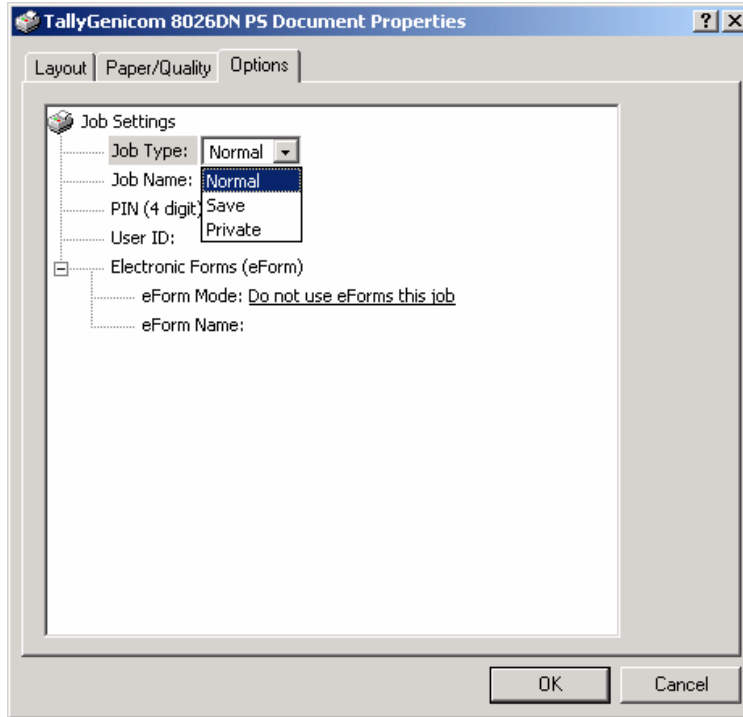
1. You are now in the **Printing Properties** menu, click on the **Printing Preference** button.



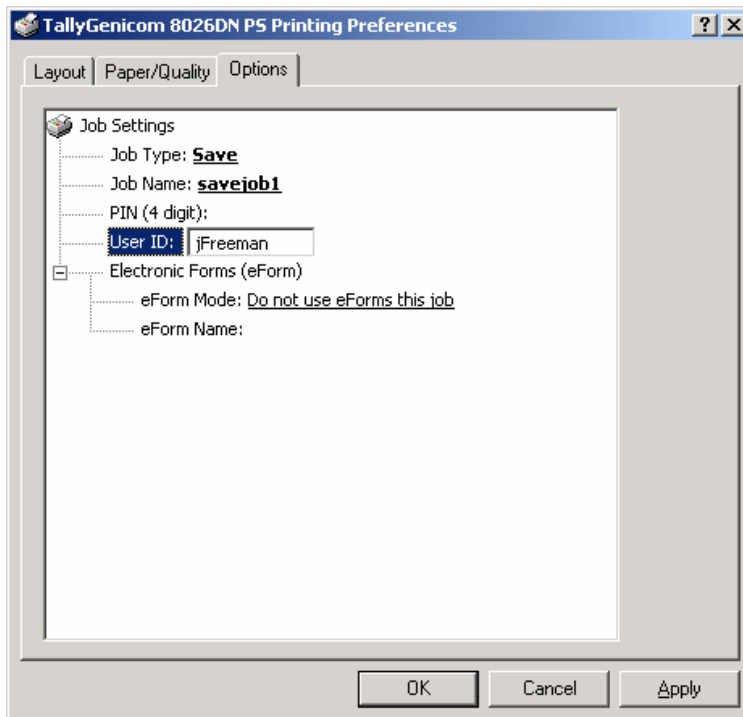
2. Click on the **Options** Tab.



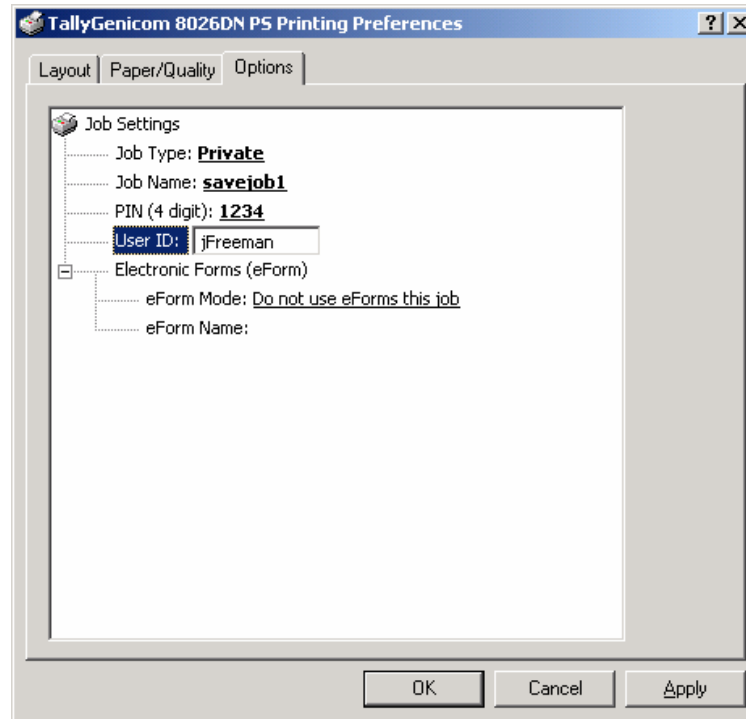
3. Select **Job Type** and then one of the three available options, **Normal**, **Saved** and **Private**.



4. If you want to **Save** your print job, enter a name you want to save job as and it will be saved under User ID folder listed. You can change the User ID in this menu also.

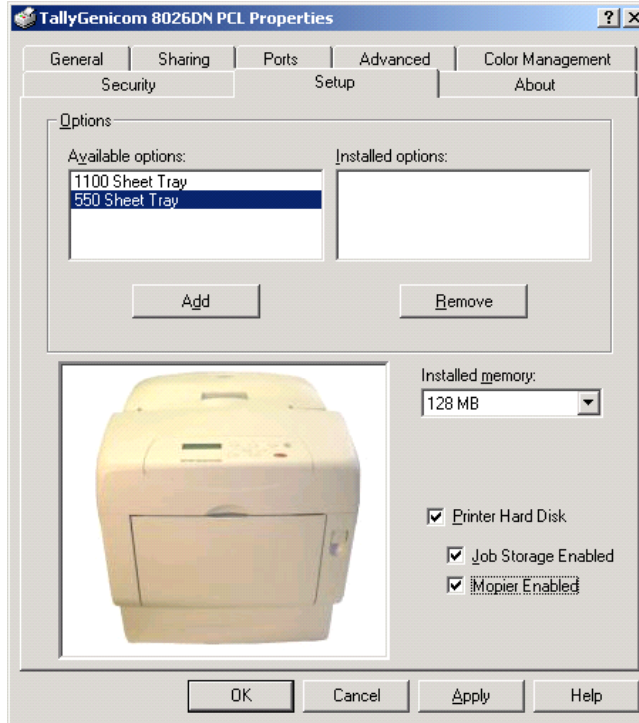


5. If you want to make your job **Private**, you can enter a number in the PIN menu. You will only be able to print this document if you know the PIN number.

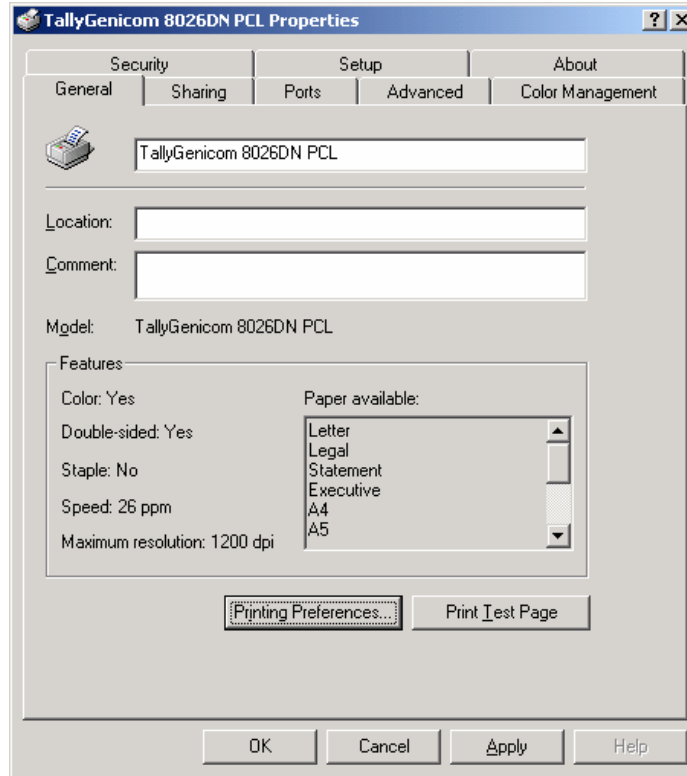


Use the following procedure to enable the Saved Jobs Feature with the PCL driver.

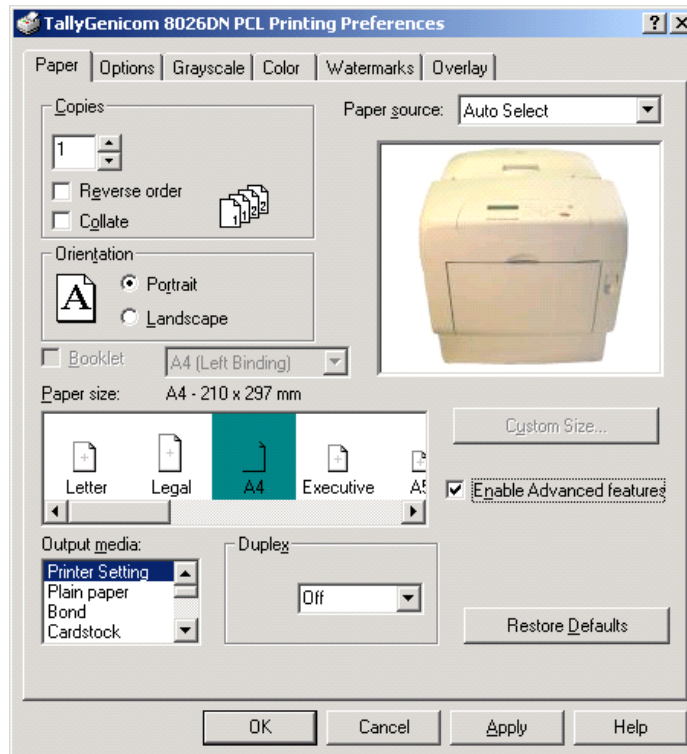
1. Right click on the Printer icon and select the **Properties** option from the list. Then click on the **Setup** Tab. Then check the **Hard Disk** and **Job Storage Enabled** check boxes. A Hard Disk or User Flash must be installed to use the save job feature.



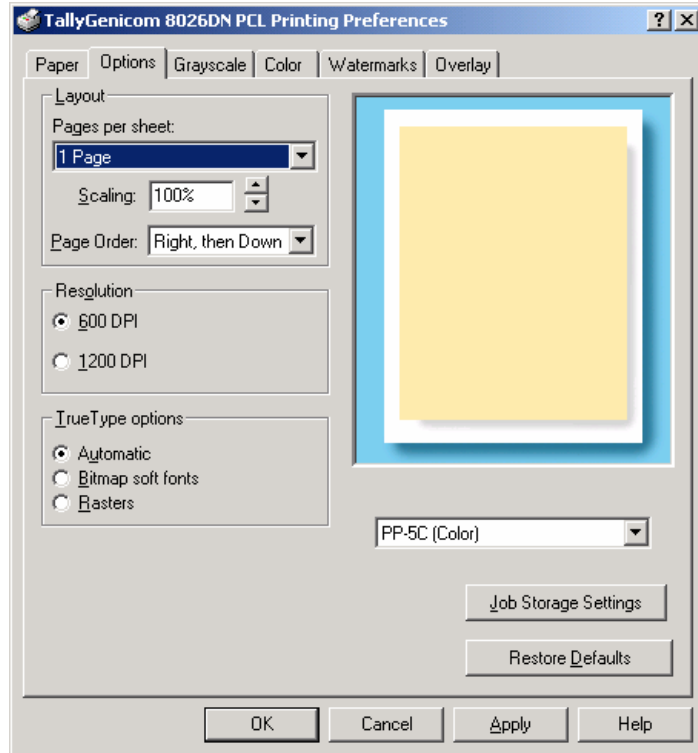
2. Select the **General** Tab, and click on the **Printing Preference** button.



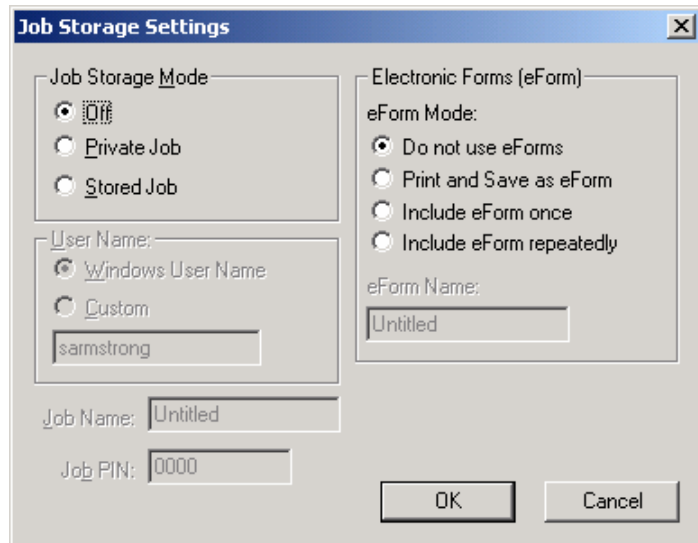
3. Check the **Enable Advanced Features** check box.



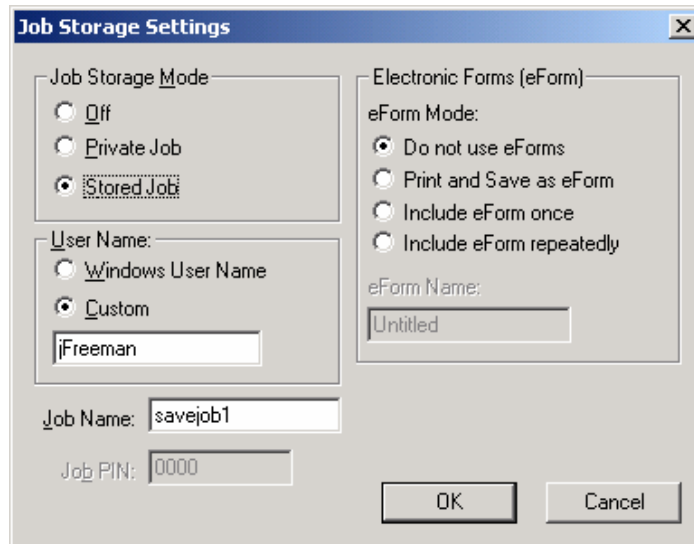
4. Select the **Options** tab and press the **Job Storage Settings** button.



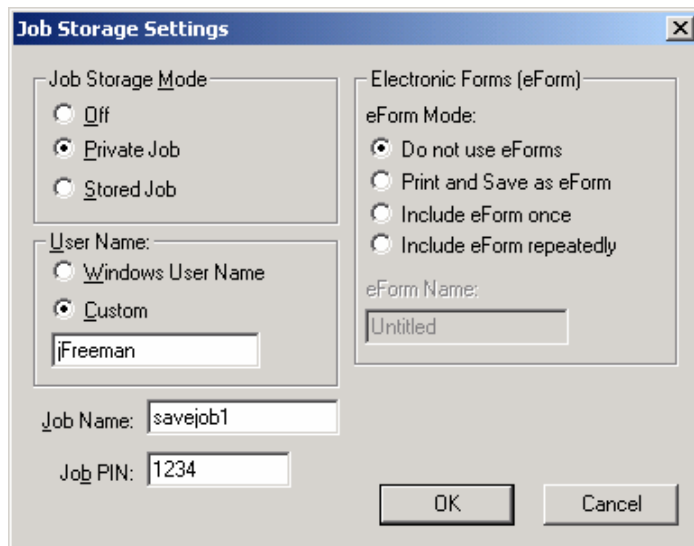
5. You can now select **Job Storage Mode Off**, **Private Job** or **Stored Job**.



6. If you want to save your print job, enter a name you want to save the job as and it will be saved under User ID folder listed. You can change the User ID in this menu also.



7. If you want to make your job private, you can enter a number in the PIN menu. You will only be able to print this document if you know the PIN number.



Working with Saved Jobs

There are two ways to work with Saved Jobs. One is through the front panel menus, the other is through the printer web pages.

Front Panel Access

The Job Library Menu provides access to the printer settings that are related to the optional Hard Disk. Use the following procedure to enter the Job Library Menu to Print or Delete jobs that are Saved in the Job Library, including jobs that have a PIN number:

1. Press the **MENU** button on the control panel.
2. Press the **NEXT** button until the text "**Job Library Menu**" is shown on the second line of the display.
3. Press the **SELECT** button to enter the Job Library Menu.
4. Press the **NEXT** button to move through the submenus: **Print & Delete**, **Print**, or **Delete**.
5. Press the **SELECT** button to enter a submenu.

Use the procedures in the following table to access and change the system settings.

MENU	SUBMENUS	PROCEDURE FOR CHANGING SETTING
Job Library (Saved Job)	Print & Delete	1. Print & Delete combines the functions of print and delete as explained in the remainder of this table.
	Print (To print a saved job)	1. Press NEXT or PREVIOUS to scroll through Print or Delete options. 2. Press SELECT to choose Print.
	Print User Folder 1	1. Press NEXT or PREVIOUS to scroll through the User Folder Names. 2. Press SELECT to choose the desired User Folder.
	Print Job1	1. Press NEXT or PREVIOUS to scroll through the Print Job Names. 2. Press SELECT to choose the desired Print Job.
	Job Name Copies – Select 1-99	1. Press NEXT or PREVIOUS to increase or decrease each digit of the two-digit number. 2. Press SELECT set one digit and move to the next digit. 3. Press SELECT after changing the last digit to save this setting.
	Job Name Copies	1. Press SELECT to print the job.
	Printing Playback	1. The printer will display PRINTING on Line 1 and PLAYBACK on Line 2 of the display while printing the job.
Job Library (Saved Job with PIN)	Print (To print a saved job with a PIN)	1. Press NEXT or PREVIOUS to scroll through Print or Delete options. 2. Press SELECT to choose Print.

MENU	SUBMENUS	PROCEDURE FOR CHANGING SETTING
	Print User Folder 1	<ol style="list-style-type: none"> 1. Press NEXT or PREVIOUS to scroll through the User Folder Names. 2. Press SELECT to choose the desired User Folder.
	Print Job1	<ol style="list-style-type: none"> 1. Press NEXT or PREVIOUS to scroll through the Print Job Names. 2. Press SELECT to choose the desired Print Job.
	Job Name PIN	<ol style="list-style-type: none"> 1. Press NEXT or PREVIOUS to increase or decrease each digit of the four-digit number. 2. Press SELECT to set one digit and move to the next digit. 3. Press SELECT after changing the last digit to save this setting.
	Job Name INCORRECT PIN	<ol style="list-style-type: none"> 1. If an incorrect PIN is entered, press PREVIOUS to re-enter the correct PIN.
	Job Name Copies – Select 1-99	<ol style="list-style-type: none"> 1. Press NEXT or PREVIOUS to increase or decrease each digit of the two-digit number. 2. Press SELECT to set one digit and move to the next digit. 3. Press SELECT after changing the last digit to save this setting.
	Job Name Copies	<ol style="list-style-type: none"> 1. Press SELECT to print the job.
	Printing Playback	The printer will display PRINTING on Line 1 and PLAYBACK on Line 2 of the display while printing the job.
Job Library DELETE	Delete (To delete a saved job)	<ol style="list-style-type: none"> 1. Press NEXT or PREVIOUS to scroll through Print or Delete options. 2. Press SELECT to choose Delete.
	Delete User Folder 1	<ol style="list-style-type: none"> 1. Press NEXT or PREVIOUS to scroll through the User Folder Names. 2. Press SELECT to choose the desired User Folder.
	Delete Job1	<ol style="list-style-type: none"> 1. Press NEXT or PREVIOUS to scroll through the Print Job Names. 2. Press SELECT to choose the desired Print Job to Delete.
Job Library (Delete Saved Job with PIN)	Delete (To delete a saved job with a PIN)	<ol style="list-style-type: none"> 1. Press NEXT or PREVIOUS to scroll through Print or Delete options. 2. Press SELECT to choose Delete.
	Delete User Folder 1	<ol style="list-style-type: none"> 1. Press NEXT or PREVIOUS to scroll through the User Folder Names. 2. Press SELECT to choose the desired User Folder.

MENU	SUBMENUS	PROCEDURE FOR CHANGING SETTING
	Delete Job1	<ol style="list-style-type: none"> 1. Press NEXT or PREVIOUS to scroll through the Print Job Names. 2. Press SELECT to choose the desired Print Job to Delete.
	Job Name PIN	<ol style="list-style-type: none"> 1. Press NEXT or PREVIOUS to increase or decrease each digit of the four-digit number. 2. Press SELECT to set one digit and move to the next digit. 3. Press SELECT after changing the last digit to save this setting.
	Job Name INCORRECT PIN	<ol style="list-style-type: none"> 1. If an incorrect PIN is entered, press PREVIOUS to re-enter the correct PIN.
	Job Name	<ol style="list-style-type: none"> 1. Press SELECT to Delete the job.

Job Accounting Feature

The printer supports a job accounting feature which will store certain information about each print job received by the printer. There are two ways to work with this feature. One is through the front panel menu.

NOTE: Please see “Accessing the Printer Web Page” on page 8-37 for more information on the Job Accounting Feature.

Front Panel Access

The Job Accounting Menu provides access to functions and settings related to this feature. Use the following procedure to enter the Job Accounting Menu to change the settings or access the functions:

1. Press the **MENU** button on the control panel.
2. Press the **NEXT** button until the text “**Job Accounting Menu**” is shown on the second line of the display.
3. Press the **SELECT** button to enter the Job Accounting Menu.
4. Press the **NEXT** button to move through the submenus: **Enable, Print Info, Reset Info**.
5. Press the **SELECT** button to enter a submenu.

Use the procedures in the following table to access and change the system settings.

SUBMENU	SETTINGS	PROCEDURE FOR CHANGING SETTING
ENABLED	Yes or No	<ol style="list-style-type: none"> 1. Press NEXT or PREVIOUS to scroll through Yes or No options. 2. Press SELECT to choose Yes to turn on this function.
PRINT INFO		<ol style="list-style-type: none"> 1. Press SELECT to begin printing the Job Accounting Summary Report.
RESET INFO		<ol style="list-style-type: none"> 1. Press SELECT to reset the Job Accounting Information. This will delete all stored information related to jobs received by the printer.

When you print a Job Accounting Summary the following information will print on your report:

JOB NAME	USER NAME	PORT	PROTOCOL	PAGES (SIDES)	PAGES (SHEETS)	DATE/TIME	DURATION
job2	jerry	parallel		4	4	May 30 2006 01:11:10 PM	00:00:08
job1	jerry	network1	LPD	4	4	May 30 2006 01:12:10 PM	00:00:04

NOTE: Only products that have real time clock support will provide the Date/Time information.

Using the Custom Paper Size Feature

There are two ways to work with the Custom Paper Size Feature. One is through the front panel menus, the other is through the printer driver. If you have a Windows or Macintosh printer driver, you can access this feature from the driver and you do not have to use front panel settings. Use the front panel access to these features if you have a Unix system or do not have Windows or Macintosh drivers.

Operator Panel Access

The Paper Menu provides access to the Custom Paper Size settings. The range for setting a custom paper size is:

Paper Width	3.5 inches minimum to 8.5 inches maximum
Paper Length	5.5 inches minimum to 35.43 inches maximum

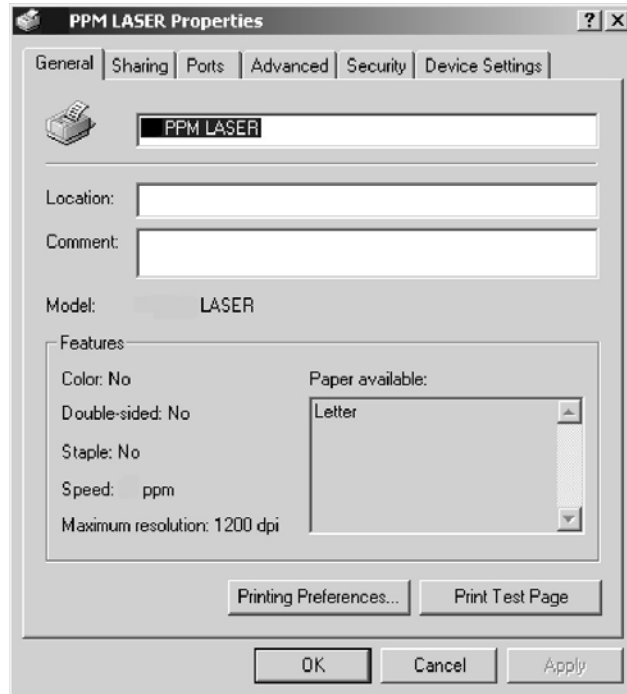
Use the following procedure to enter the Paper Menu to set a Custom Paper Size:

1. Press the **MENU** button on the control panel.
2. Press the **NEXT** button until the text "**Paper Menu**" is shown on the second line of the display.
3. Press the **SELECT** button to enter the **Paper Menu**.
4. Press the **NEXT** button until the text "**Media Size/Type**" is shown on the second line of the display and press the **SELECT** button.
5. Press the **NEXT** button until the text "**Tray 1**" is shown on the second line of the display.
6. Press the **SELECT** button.
7. Press the **NEXT** button until the text "**Custom Size**" is shown on the second line of the display.
8. Press the **SELECT** button to enter the "**Custom Size**" menu. "**Width**" is shown on the second line of the display.
9. Press **NEXT** or **PREVIOUS** to increase or decrease each digit of the three-digit number to set the width of your paper. When the width of paper is correct, press the **SELECT** button.
10. Next "**Length**" is shown on the second line of the display.
11. Press **NEXT** or **PREVIOUS** to increase or decrease each digit of the three-digit number to set the length of your paper. When the length of paper is correct, press the **SELECT** button.
12. Press **RETURN** until you exit out of all the submenus and return to **READY**.

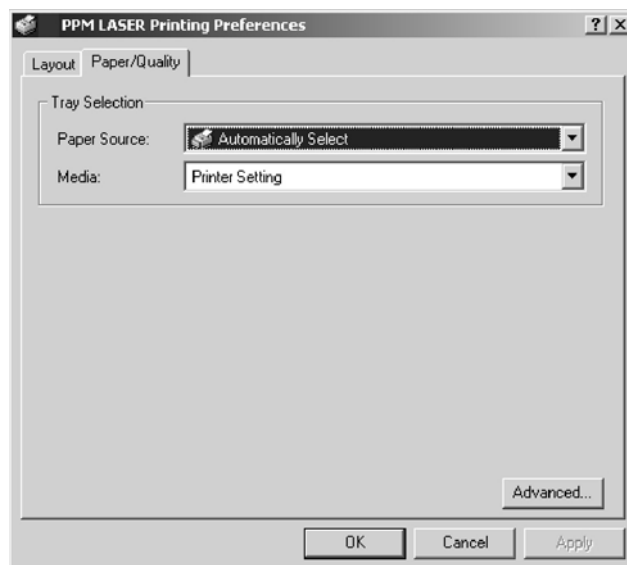
Printer Driver Access

To access the Custom Paper Size Feature through your printer driver, use the following procedure:

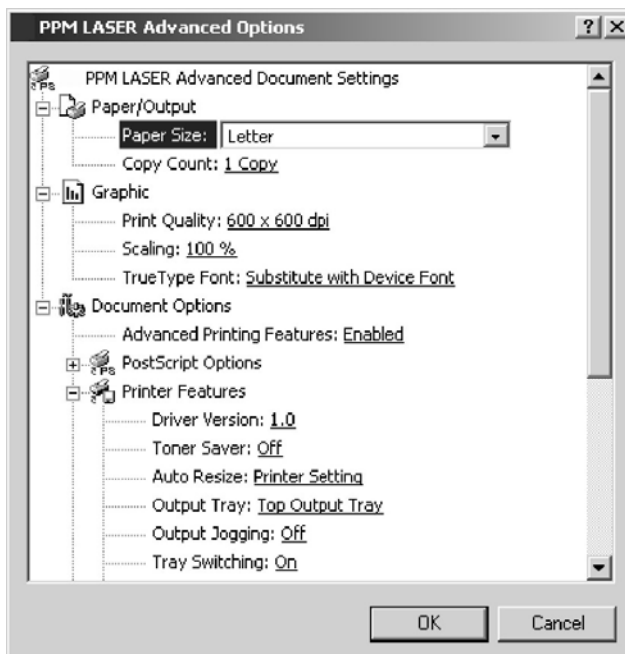
1. On your desktop, go to the **Start** menu, left click on **Settings**, left click on **Printers**, and then click on your printer driver icon, right click and follow the menu to the **Properties** menu.
2. You are now in the **Printing Properties** menu, click on the **Printing Preference** button.



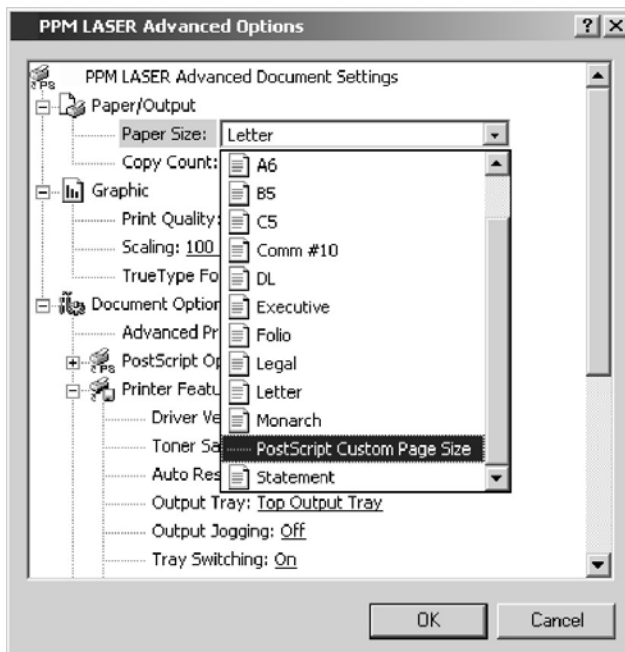
3. Click on the **Advanced** button.



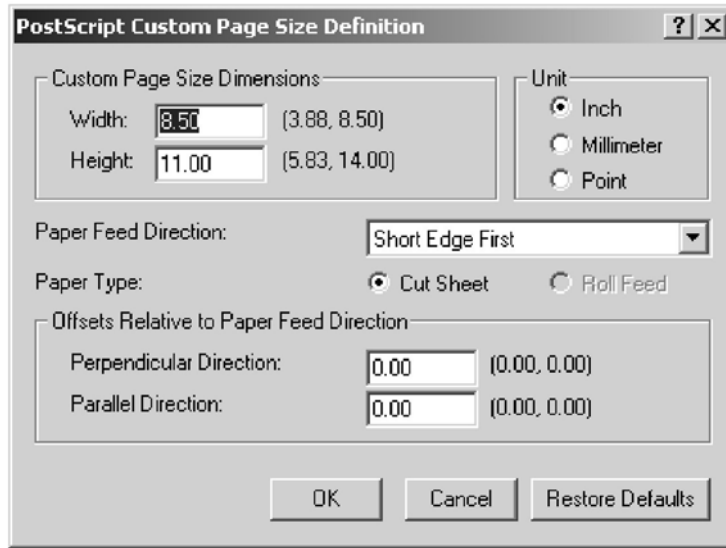
4. Click on the **Paper Size** button.



5. Scroll down to **Custom Page Size** and click on **PS Custom Page Size**.



6. Then enter the width and height of your custom paper size.



7. Click the **OK** button until you exit out of the driver menu. You are now ready to print your custom sized document.

Custom Page size and Microsoft Word, Word 2000, and Word 2003

When you specify a PostScript custom page size in the Paper Size box in the advanced printer properties for a supported printer, the custom size setting appears to be ignored if you have configured Microsoft Word to use the PostScript Custom Page Size setting. Word defaults to the default size of 8.5 by 11 inches. Word is limited to a maximum length of 22 inches.

Resolution

If you want to use PostScript custom page sizes that are supported by a printer, the only way to make them work correctly in Word is to add custom forms to Windows and then to choose those form names in Word. By using this method, the PostScript Page Size setting in Word is ignored, and the newly added forms are used instead.

Create a custom form for printing to a non-standard paper size in Microsoft Windows NT 4.0, Windows 2000, and Windows XP.

To create a custom form, follow these steps:

- Navigate to **CONTROL PANEL**, double click **PRINTERS**.
- On the **FILE** menu, click **SERVER PROPERTIES**.
- On the **FORMS** tab, select the **CREATE A NEW FORM** check box.

Enter the settings for the new form.

NOTE: When you set up a custom form, the margins cannot go beyond the confines of the specifications for the installed printer driver. Printable regions must be adhered to with regard to margin limits for the printer and driver in use.

- Click **SAVE FORM** or **OK**

To use the new form as the default form, follow these steps:

WINDOWS NT

- In **CONTROL PANEL**, double-click **PRINTERS**.
- Right-click the printer you want to select, and then click **DOCUMENT DEFAULTS**.
- In the **PAPER SIZE** box, click the new form.
- Click **OK**.

WINDOWS 2000 AND XP

- In **CONTROL PANEL**, double-click **PRINTERS**.
- Right-click the printer you want to select and then click **PROPERTIES**.
- On the **GENERAL** tab, click **PREFERENCES**.
- On the **PAPER QUALITY** tab, click **ADVANCED**, and then in the **PAPER SIZE** drop down menu, select the custom form size.
- Click **OK**.

To use the new form from a program, follow these steps:

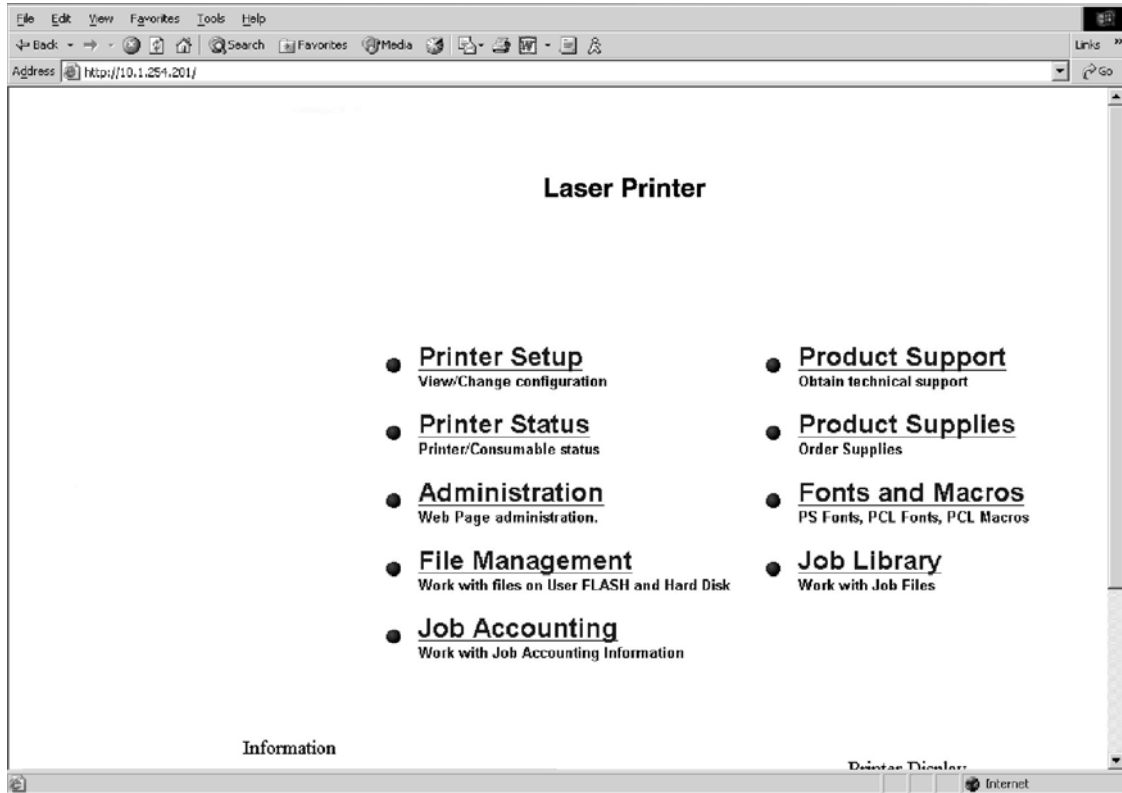
- In the program, click **PRINT**.
- In the **PRINT** dialog box, click **PROPERTIES**.
- In the **PAPER SIZE** box, click the new form.
- Click **OK**.
- Click **OK** to print.

NOTE: New forms are stored on the computer where they are created. When you create a new form for use with a shared printer, create the form on the print server.

NOTE: On a Windows 2000 and XP computer, occasionally the newly created form will not appear in the drop down list under paper size. If you encounter this, you may need to select an existing form under server properties, modify the settings, check box to create a new form, change the form name and save the form. Once you save the form, it should appear in the paper size drop down box.

Accessing the Printer Web Page

You can access the printer web page by going to the internet browser and typing the IP address of your network printer (http://IP ADDRESS). You can directly access the printer control panel on the web and it allows you to view and change the printer settings. Following is an example of the printer web page:



When you access the printer web page it will display your printer name and logo and provide access to the following menus:

MAIN PAGE OF PRINTER WEB SITE	SUBMENU 1 OF PRINTER WEB SITE	SUBMENU 2 OF PRINTER WEB SITE
<p>Printer Setup You can view and change printer configuration. With access to the following menus:</p>	<p>Paper Menu Provides access to the printer settings for various paper-handling functions:</p>	<p>Copies Duplex Duplex Bind Default Source Manual Feed Output Tray Media Size/Type Tray Linking Job Offset Blank Pages Face Up Inst Tray 1 First Gloss Level Auto Resize Separator Page Custom Size Unit</p>
	<p>Interface Menu Provides access to the printer interface settings:</p>	<p>Port Parallel Network 1 USB Parallel Setup Interpreter Format Mode Delay Out Close Network 1Setup Interpreter Format Network Address IP Address Subnet Mask Default Router LPD Banner DHCP Delay Out Close Host Name mDNS Local Link mDNS Host Name mDNS Svc Name Multi-Session AppleTalk Current Zone Preferred Zone Binary PS Factory Defaults Connection Speed USB Setup Interpreterr Format Delay Out Close Binary PS</p>
	<p>PS Menu Provides access to the PostScript settings:</p>	<p>Print PS Errors Manual Feed TO</p>

MAIN PAGE OF PRINTER WEB SITE	SUBMENU 1 OF PRINTER WEB SITE	SUBMENU 2 OF PRINTER WEB SITE
	<p>PCL Menu Provides access to the PCL settings:</p>	<p>Orientation Font Source Font Number Pitch Symbol Set Macro Filter Lines Per Page CR Mode LF Mode FF Mode Print Area Parameter Values Paper Source Paper Size</p>
	<p>System Menu Provides access to the system settings:</p>	<p>Factory Defaults Display Language Alarm Control Power Saver Wait Timeout Job Timeout Jam Recovery Hex Print Intellifilter</p>
	<p>Quality Menu Provides access to the printer settings that are related to print quality:</p>	<p>Resolution Toner Saver</p>
<p>Only appears if the Real Time Clock Option is installed.</p>	<p>Date/Time Menu Provides access to the following date and time settings on your printer:</p>	<p>Month Day Year Hour Minute Second Offset from GMT</p>

MAIN PAGE OF PRINTER WEB SITE	SUBMENU 1 OF PRINTER WEB SITE	SUBMENU 2 OF PRINTER WEB SITE
	<p>Email Setup Provides access to the following settings which allow the administrator to set parameters for specific conditions and have an email alert sent to specific addresses.</p>	<p>Email Server Settings: SMTP Server IP Address Enable Authentication User Name: (for Authentication) Password: (for Authentication) Printer Email Address Reply-To-Address Email Address Settings: Example:jsmith@abc_co.com Email Alert Conditions: Re-send Interval Off Line Consumables Toner Low/Toner Out Paper Low/Paper Out Paper Jam Cover Open Stacker Error Mass Storage Error Recoverable Error Service Call Required Email Signature Settings</p>
	<p>SNMP Setup Defines IP Addresses for trap host that will be sent SNMP trap messages. The printer supports the following SNMP trap types: 1) Cold start trap 2) Printer MIB alert table traps.</p>	<p>Trap Destination 1: Trap Destination 2: Trap Destination 3: Trap Destination 4: Trap Destination 5:</p>
<p>Printer Status Displays printer option and consumables status. You can view the current settings for the Input options on your printer and the Output options installed.</p>	<p>Input</p>	<p>Displays paper trays and the paper size, type and capacity levels of all installed trays and options.</p>
	<p>Output</p>	<p>Displays output paper trays and capacity level.</p>
	<p>Consumable Information</p>	<p>Displays the toner cartridge and percentage used. Also displays the Toner Page Count.</p>
	<p>Other</p>	<p>Sheet Counter Image Counter</p>
<p>Administration Displays security and factory defaults. Allows you to set up support and supplies web links.</p>	<p>Factory Defaults</p>	
	<p>Console Security</p>	
	<p>Refresh Rate</p>	
	<p>Support Link</p>	
	<p>Supplies Link</p>	

MAIN PAGE OF PRINTER WEB SITE	SUBMENU 1 OF PRINTER WEB SITE	SUBMENU 2 OF PRINTER WEB SITE
File Management Allows you to access (print or delete) files stored on your Hard Disk or User Flash.		
Only appears if User Flash is installed.	User Flash Files	You can view contents of folder, retrieve files or delete print files.
	Format User Flash	Allows you to format your User Flash.
	Print User Flash Summary	Prints a summary page of the files stored in the User Flash.
Only appears if Hard Disk Option is Installed.	Hard Disk Files	You can view contents of folder, retrieve files or delete print files.
	Format Hard Disk	Allows you to format your Hard Disk.
	Print Disk Summary	Prints a summary page of the files stored on the Hard Disk.
Job Accounting View, retrieve, or reset job accounting information.	Enable/Disable	Click Yes or No to Enable or Disable Job Accounting
	Retrieve Job Accounting File	Retrieve a job file and upload the file information to a CSV file.
	Display Job Accounting Info	Displays all job information such as job name, user name, port, protocol, pages, date/time and duration.
	Reset All Job Accounting Info	Deletes all stored Job Accounting information.
Product Support Direct link to obtain technical support	Takes you to the Product Support Website where you can obtain technical support.	
Product Supplies Direct link to order supplies	Takes you to the Product Supplies Website where you can order product supplies.	
Fonts and Macros Allows you to view the PostScript Fonts and PCL Fonts, stored internally on your printer. Also allows you to view Macros stored on your Hard Disk or User Flash Options.	PS Fonts PCL Fonts Macros	
Job Library Takes you to the job library where you can view all user folders and print jobs. Also allows access to print or delete all files stored in your job library on your Hard Disk or User Flash Option. Allows you to save private jobs with a PIN.	View contents of user folder. Retrieve files. Delete or print selected files.	

Printer Setup

Go to your web browser and type in your printer web address. The printer web page will appear.

1. Click on **Printer Setup**.




2. When you enter the Printer Setup Menu, you have access to the Paper Menu, Interface Menu, PS Menu, PCL Menu, System Menu, Quality Menu, Date/Time, Email Setup, and SNMP Setup.



3. The Paper Menu allows the user to access and change the paper menu settings.


 **TallyGenicom®** **Paper Menu**



Copies: 1	Duplex: <input checked="" type="radio"/> (Off) <input type="radio"/> (On)	Duplex Bind: Long Edge	Default Source: Tray 1	Manual Feed: <input checked="" type="radio"/> (Off) <input type="radio"/> (On)
Media Size/Type: MBF: Media Size: Letter SEF	Media Size/Type: MBF: Media Type: Plain	Media Size/Type: MBF: Custom Size: Width: 8.50	Media Size/Type: MBF: Custom Size: Length: 11.00	Media Size/Type: Tray 1: Media Type: Plain
Media Size/Type: Tray 2: Media Type: Plain	Media Size/Type: Tray 3: Media Type: Plain	Media Size/Type: Tray 4: Media Type: Plain	Tray Linking: <input type="radio"/> (Off) <input checked="" type="radio"/> (On)	Blank Pages: Print
MBF First: <input checked="" type="radio"/> (Off) <input type="radio"/> (On)	Gloss Level: Normal	Auto Resize: <input checked="" type="radio"/> (Off) <input type="radio"/> (On)	Separator Page: Off	Custom Size Unit: Inches

4. The Interface Menu allows the user to access and change the interface settings.

 **TallyGenicom®** **Interface Menu**



Port: Parallel: <input type="radio"/> (Off) <input checked="" type="radio"/> (On)	Port: Network Card 1: <input type="radio"/> (Off) <input checked="" type="radio"/> (On)	Port: USB: <input type="radio"/> (Off) <input checked="" type="radio"/> (On)	Parallel Setup: Interpreter: Auto Switch	Parallel Setup: Format: Rew
Parallel Setup: Mode: Bidirectional	Parallel Setup: Delay Out Close: <input checked="" type="radio"/> (Off) <input type="radio"/> (On)	Parallel Setup: Binary PS: <input checked="" type="radio"/> (Off) <input type="radio"/> (On)	Network 1 Setup: Interpreter: Auto Switch	Network 1 Setup: Format: Rew
Network 1 Setup: Network Address: 00C0B006106F	Network 1 Setup: IP Address: 192.168.001.101	Network 1 Setup: Subnet Mask: 255.255.255.000	Network 1 Setup: Default Gateway: 192.168.001.001	Network 1 Setup: LPD Banner: <input checked="" type="radio"/> (Off) <input type="radio"/> (On)
Network 1 Setup: DHCP: <input type="radio"/> (Off) <input checked="" type="radio"/> (On)	Network 1 Setup: Delay Out Close: <input checked="" type="radio"/> (Off) <input type="radio"/> (On)	Network 1 Setup: Host Name: Intelliprint8026N06106F	Network 1 Setup: mDNS: <input type="radio"/> (Off) <input checked="" type="radio"/> (On)	Network 1 Setup: Local Link: 000.000.000.000
Network 1 Setup: mDNS Host Name: Intelliprint8026N06106F	Network 1 Setup: mDNS Svc Name: Intelliprint 8026N 06106F	Network 1 Setup: Multi-Session: <input type="radio"/> (Off) <input checked="" type="radio"/> (On)	Network 1 Setup: AppleTalk: <input type="radio"/> (Off) <input checked="" type="radio"/> (On)	Network 1 Setup: Current Zone: *
Network 1 Setup: Preferred Zone: *	Network 1 Setup: Binary PS: <input checked="" type="radio"/> (Off) <input type="radio"/> (On)	Network 1 Setup: Factory Defaults: No	Network 1 Setup: Connection Speed: Auto-Sense	USB Setup: Interpreter: Auto Switch

5. The PS Menu allows the user to access and change the Post Script Menu settings



PS Menu

[Home](#)

Print PS Errors: <input checked="" type="radio"/> (Off) <input type="radio"/> (On)	Manual Feed TO: <input style="width: 30px;" type="text" value="0"/>
---	--

6. The PCL Menu allows the user to access and change the PCL settings



PCL Menu

[Home](#)

Orientation: Portrait ▾	Font Source: Internal ▾	Font Number: <input style="width: 30px;" type="text" value="50"/>	Point Size: <input style="width: 50px;" type="text" value="12.00"/>	Symbol Set: 10U/PC-8 CP437 ▾
Macro Filter: <input checked="" type="radio"/> (Off) <input type="radio"/> (On)	Lines Per Page: <input style="width: 30px;" type="text" value="64"/>	CR Mode: CR=CR ▾	LF Mode: LF=LF ▾	FF Mode: FF=FF ▾
Print Area: Normal ▾	Parameter Values: Paper Source: MBF: <input style="width: 30px;" type="text" value="8"/>	Parameter Values: Paper Source: Tray 1: <input style="width: 30px;" type="text" value="1"/>	Parameter Values: Paper Source: Tray 2: <input style="width: 30px;" type="text" value="4"/>	Parameter Values: Paper Source: Tray 3: <input style="width: 30px;" type="text" value="5"/>
Parameter Values: Paper Source: Tray 4: <input style="width: 30px;" type="text" value="20"/>	Parameter Values: Paper Source: Auto-Select: <input style="width: 30px;" type="text" value="7"/>	Parameter Values: Paper Size: Executive: <input style="width: 30px;" type="text" value="1"/>	Parameter Values: Paper Size: Letter: <input style="width: 30px;" type="text" value="2"/>	Parameter Values: Paper Size: Legal: <input style="width: 30px;" type="text" value="3"/>
Parameter Values: Paper Size: Statement: <input style="width: 30px;" type="text" value="4"/>	Parameter Values: Paper Size: Folio: <input style="width: 30px;" type="text" value="5"/>	Parameter Values: Paper Size: A6: <input style="width: 30px;" type="text" value="24"/>	Parameter Values: Paper Size: A5: <input style="width: 30px;" type="text" value="25"/>	Parameter Values: Paper Size: A4: <input style="width: 30px;" type="text" value="26"/>
Parameter Values: Paper Size:	Parameter Values: Paper Size:	Parameter Values: Paper Size:	Parameter Values: Paper Size:	Parameter Values: Paper Size:

7. The System Menu allows the user to access and change the System Menu settings



[Home](#)

Display Language: English ▾	Alarm Control: Single ▾	Power Saver: 15	Wait Timeout: 20	Job Timeout: 0
Jam Recovery: <input type="radio"/> (Off) <input checked="" type="radio"/> (On)	Hex Print: <input checked="" type="radio"/> (Off) <input type="radio"/> (On)	Intellifilter: <input type="radio"/> (Off) <input checked="" type="radio"/> (On)		

[Submit](#)

8. The Quality Menu allows the user to access and change the Quality Menu settings



[Home](#)

Resolution: 600 dpi ▾	Toner Saver: <input checked="" type="radio"/> (Off) <input type="radio"/> (On)
--------------------------	---

[Submit](#)

9. The Color Menu allows the user to access and change the Rendering, Color Matching, and Refresh Toner.



[Home](#)

Rendering Intent: Photographic ▾	Color Matching: <input type="radio"/> (Off) <input checked="" type="radio"/> (On)	Refresh Toner: <input checked="" type="radio"/> (No) <input type="radio"/> (Yes)
-------------------------------------	--	---

[Submit](#)

10. The Date/Time Menu allows the user to access and change the Date.

TallyGenicom **Date/Time Menu**

[Home](#)

Month: November	Day: 14	Year: 2005	Hour: 8 PM	Minute: 31
Second: 41	Offset from GMT: Hours: -5	Offset from GMT: Minutes: 0		

11. The Email Setup Menu allows you to configure the printer to send email messages when certain status conditions occur.

TallyGenicom **Email Setup**

[Home](#)

Email Server Settings

SMTP Server IP Address:

Enable Authentication:

User Name: (for Authentication)

Password: (for Authentication)

Printer Email Address:

Reply-To-Address:

Email Address Settings

Email Address 1: (Example: jsmith@abc_co.com)

Email Address 2:

Email Address 3:

Email Address 4:

Email Address 5:

Email Server Settings

SMTP Server IP Address: Enter the IP address for the SMTP server that the printer will use to transmit the email messages.

Enable Authentication: Check this box if the SMTP server requires authentication.

User Name: (for Authentication) Enter the name of a user who is authorized to access the SMTP server.

Password: (for Authentication) Enter the password for the user who is authorized to access the SMTP server.

Printer Email Address: The character string configured here will be used in the “FROM” field of the email message. Reply-To-Address: The character string configured here will be used in the “REPLY TO” field of the email message.

Email Alert Conditions

Condition	Address 1	Address 2	Address 3	Address 4	Address 5
Re-send Interval	Disabled ▾	Disabled ▾	Disabled ▾	Disabled ▾	Disabled ▾
Off Line	<input type="checkbox"/>	<input type="checkbox"/>	<input type="checkbox"/>	<input type="checkbox"/>	<input type="checkbox"/>
Consumable Message	<input type="checkbox"/>	<input type="checkbox"/>	<input type="checkbox"/>	<input type="checkbox"/>	<input type="checkbox"/>
Toner Low / Toner Out	<input type="checkbox"/>	<input type="checkbox"/>	<input type="checkbox"/>	<input type="checkbox"/>	<input type="checkbox"/>
Paper Low / Paper Out	<input type="checkbox"/>	<input type="checkbox"/>	<input type="checkbox"/>	<input type="checkbox"/>	<input type="checkbox"/>
Paper Jam	<input type="checkbox"/>	<input type="checkbox"/>	<input type="checkbox"/>	<input type="checkbox"/>	<input type="checkbox"/>
Cover Open	<input type="checkbox"/>	<input type="checkbox"/>	<input type="checkbox"/>	<input type="checkbox"/>	<input type="checkbox"/>
Stacker Error	<input type="checkbox"/>	<input type="checkbox"/>	<input type="checkbox"/>	<input type="checkbox"/>	<input type="checkbox"/>
Mass Storage Error	<input type="checkbox"/>	<input type="checkbox"/>	<input type="checkbox"/>	<input type="checkbox"/>	<input type="checkbox"/>
Recoverable Error	<input type="checkbox"/>	<input type="checkbox"/>	<input type="checkbox"/>	<input type="checkbox"/>	<input type="checkbox"/>
Service Call Required	<input type="checkbox"/>	<input type="checkbox"/>	<input type="checkbox"/>	<input type="checkbox"/>	<input type="checkbox"/>

Email Signature Settings

Signature Line 1: ((0-64 characters))
 Signature Line 2: ((0-64 characters))
 Signature Line 3: ((0-64 characters))
 Signature Line 4: ((0-64 characters))
 Signature Line 5: ((0-64 characters))

Email Address Settings/Email Alert Conditions

You can configure 1 – 5 destination email addresses. For each of these destination email addresses you can configure which status conditions will cause an email to be sent. In addition, a resend interval can be set for each address, which determines if or how often the email message should be resent, as long as the condition persists.

Email Signature Settings

These are text strings that are appended to the end of the email messages. They can be used to provide helpful hints/reminders to recipients of the status email messages.

The SNMP Setup Menu allows you to define IP addresses for trap host that will be sent SNMP trap messages. The printer supports the following SNMP trap types:

- A) Cold Start trap
- B) Printer MIB alert table traps.



SNMP Setup



SNMP Trap Hosts

Trap Destination 1 : (enter IP Address, example: 10.6.6.50)

Trap Destination 2 :

Trap Destination 3 :

Trap Destination 4 :

Trap Destination 5 :

Job Accounting

Web Page Access

Go to your web browser and type in your printer web address. The printer web page will appear.

1. Click on **Job Accounting**.



2. When you enter the Job Accounting field the following options appear:



- When you click on **Enable/Disable** it will take you to the following screen. Click **Yes** or **No** to Enable or Disable Job Accounting.



Enabled : No



- When you click on **Retrieve Job Accounting Files** it will upload the file information, which is stored in a .CSV file.

Job Name	User Name	Port	Protocol	Pages (sid)	Pages (sh)	Date/Time	Duration
	werbitsky	Network1	AppSocket	4	2	July 12 20	0:00:40
	werbitsky	Network1	AppSocket	8	4	July 12 20	0:00:43
	werbitsky	Network1	AppSocket	8	8	July 12 20	0:02:24
	werbitsky	Network1	AppSocket	1	1	July 12 20	0:00:08
	werbitsky	Network1	AppSocket	1	1	July 12 20	0:00:08
	werbitsky	Network1	AppSocket	2	2	July 12 20	0:00:11
	werbitsky	Network1	AppSocket	3	3	July 12 20	0:00:12
	werbitsky	Network1	AppSocket	3	3	July 12 20	0:00:12
	werbitsky	Network1	AppSocket	1	1	July 12 20	0:00:25
	werbitsky	Network1	AppSocket	4	2	July 12 20	0:00:18
	werbitsky	Network1	AppSocket	3	3	July 12 20	0:00:26
	werbitsky	Network1	AppSocket	5	5	July 12 20	0:00:16
	werbitsky	Network1	AppSocket	7	7	July 12 20	0:00:18
	werbitsky	Network1	AppSocket	11	11	July 12 20	0:00:25
	werbitsky	Network1	AppSocket	2	2	July 13 20	0:00:29
	werbitsky	Network1	AppSocket	2	2	July 13 20	0:00:11
	werbitsky	Network1	AppSocket	2	2	July 13 20	0:00:11

- When you click on **Display Job Accounting Info** it will bring you the following screen which displays all your job information.

Job Name	User Name	Port	Protocol	Pages (sides)	Pages (sheets)	Date/Time	Duration
-	vverbitsky	Network1	AppSocket	4	2	July 12 2004 10:35:37 AM	00:00:40
-	vverbitsky	Network1	AppSocket	8	4	July 12 2004 11:29:23 AM	00:00:43
-	vverbitsky	Network1	AppSocket	8	8	July 12 2004 12:17:14 AM	00:02:24
-	vverbitsky	Network1	AppSocket	1	1	July 12 2004 12:19:41 AM	00:00:08
-	vverbitsky	Network1	AppSocket	1	1	July 12 2004 12:19:53 AM	00:00:08
-	vverbitsky	Network1	AppSocket	2	2	July 12 2004 12:22:13 AM	00:00:11
-	vverbitsky	Network1	AppSocket	3	3	July 12 2004 12:23:16 AM	00:00:12
-	vverbitsky	Network1	AppSocket	3	3	July 12 2004 12:23:35 AM	00:00:12
-	vverbitsky	Network1	AppSocket	1	1	July 12 2004 03:16:17 PM	00:00:25

NOTE: Only products that have real time clock support will provide the Date/Time information.

- When you click on **Reset All Job Accounting Info**, all printer job information will be deleted.

Web Page Access

Using the printer web page, you can delete, print, or download any job files stored in the job library. Go to your web browser and type in your printer web address. The printer web page will appear as follows:

1. Click on **Job Library**.



2. Click on the folder icon or name to view the printer jobs in the user folders.



NOTE: If you attempt to download a "private" job file, you will be prompted for authorization. You must enter the "private" job's user-name and PIN.

Directory: /JobLibrary/

No directories or files found.

3. The printer job information will appear. If there is a PIN number associated with the file, you will be required to enter the correct PIN number to access the print file.



Hard Disk Files

To view contents of folder - click on folder icon or folder name.
To retrieve file - click on the filename for the desired file.
To delete or print - check boxes, and click on "Submit".

NOTE: If you attempt to download a "private" job file, you will be prompted for authorization. You must enter the "private" job's user-name and PIN.

Directory: /JobLibrary/

No directories or files found.



Appendix A

Specifications and consumables

In this Chapter . . .

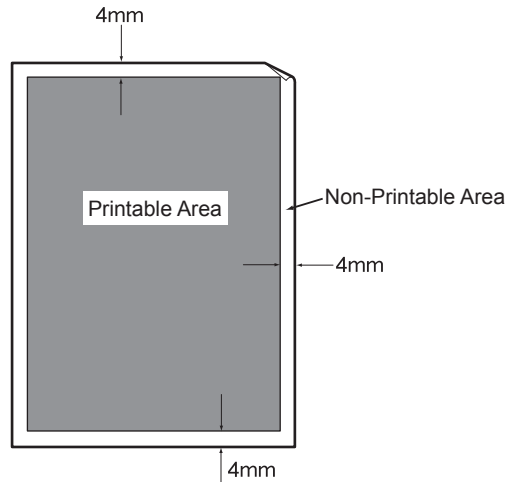
- “Specifications” on page A-2
- “Expected life of Consumables” on page A-3

Specifications

Printer Specifications

Machine type	Desktop
Printing system	Laser xerography
Printing speed	Monochrome printing: 35 sheets/minute Color printing: 25 sheets/minute (for continuous printing of the same A4-sized document by short edge feed)
Warm-up time	25 seconds (at temperature: 22 °C / humidity: 55%) However, the printer's electrical system is ready 10 seconds after switching on the printer.
Resolution	1200 dots/25.4 mm and 600 dots/25.4 mm (switching method)
Paper feed	Auto
Paper size	A4, A5, B5, Letter, Legal (8.5 × 13"), Legal (8.5 × 14"), Executive
Paper type	Plain paper (60 [Custom] – 216 g/m ²), transparencies, Japanese official postcards, envelopes*, labels* * some envelopes and labels cannot be used due to the paper quality and size
Paper supply (standard paper)	Multipurpose feeder: 150 sheets 500 sheet tray: 550 sheets 550 sheet tray module (optional): 550 sheets 1100 sheet tray module (optional): 1100 sheets
Output tray capacity	250 sheets (64 g/m ²)
Operating noise	55 db(A) or less during operation, 35 db(A) or less during standby mode
Power	220 to 240 VAC, 50/60 Hz 100/120 VAC, 50/60 Hz
Maximum power consumption	1,300 W or less during operation, 45 W or less during standby mode
Dimensions	429 (W) × 580 (D) × 457 (H) mm 16.9" (W) × 22.8" (D) × 18.0" (H)
Weight	31.5 kg/70 lb (not including the drum cartridge) 550 sheet tray module (optional): 6.8 kg/15 lb 1100 sheet tray module (optional): 21.0 kg/46 lb

Printable area



Expected life of Consumables

Toner Cartridge

Possible number of pages printed

- Black: 9,000 pages
- Yellow/Magenta/Cyan: 8,000 pages

NOTE: The possible number of pages that can be printed is based on Letter size paper with a print ratio of 5% and the default density setting. The number of pages that actually can be printed varies according to the conditions of use.

Drum Cartridge, Fuser Unit, Transfer Roll Cartridge and Retard Roll

- Drum cartridge: 35,000 pages equivalent
- Fuser unit: 100,000 pages
- Transfer roll cartridge: 35,000 pages
- Retard roll: 100,000 pages
- Retard roll (Multipurpose feeder): 90,000 pages

NOTE: The possible number of pages that can be printed is based on Letter size paper with a print ratio of 5% and the default density setting. The number of pages that actually can be printed varies according to the conditions of use.



“All rights reserved. Translations, reprinting or copying by any means of this manual complete or in part or in any different form requires our explicit approval. We reserve the right to make changes to this manual without notice. All care has been taken to ensure accuracy of information contained in this manual. However, we cannot accept responsibility for any errors or damages resulting from errors or inaccuracies of information herein.”

TALLYGENICOM REPRESENTATIVES

U.S.A.

TallyGenicom L.P.
4500 Daly Drive, Suite 100
Chantilly, VA 20151
U.S.A.
Phone: +1 703 633 8700
Fax: +1 703 222 7629
<http://www.tallygenicom.com>

UNITED KINGDOM

TallyGenicom Limited
Rutherford Road
Basingstoke, Hampshire
RG24 8PD
England, U.K.
Phone: +44 870 872 2888
Fax: +44 870 872 2889
<http://www.tallygenicom.co.uk>

SPAIN

TallyGenicom SRL
Joaquin Lorenzo 4, Local
28033 Madrid
España
Phone: +34 902 196 183
Fax: +34 913 739 943
<http://www.tallygenicom.es>

SINGAPORE

TallyGenicom Pte. Ltd
63 Hillview Avenue
#08-22, Lam Soon Industrial Building
Singapore 669569
Phone: +65 6760 8833
Fax: +65 6760 1066
<http://www.tallygenicom.com.sg>

GERMANY

TallyGenicom
Computerdrucker GmbH
Postfach 2969
D-89019 Ulm
Deutschland
Tel.: +49 731 2075 0
Fax: +49 731 2075 100
<http://www.tallygenicom.de>

ITALY

TallyGenicom S.R.L.
Via Borsini 6
I-20094 Corsico (MI)
Italia
Tel.: +39 02 48608 1
Fax: +39 02 48601 141
<http://www.tallygenicom.it>

CANADA

TallyGenicom
125 Traders Boulevard, 9
Mississauga, Ontario L4Z 2E5
Canada
Phone: +1 905 8904646
Fax: +1 905 8904567
<http://www.tallygenicom.com>

MALAYSIA

TallyGenicom Sdn. Bhd.
Wisma KT, Suite 3.02
No 14 Jalan 19/1
46300 Petaling Jaya
Selangor Darul Ehsan
Malaysia
Phone: +3 7625 1988
Fax: +3 7625 2688
<http://www.tallygenicom.com.my>

FRANCE

TallyGenicom S.A.
19 avenue de L'Île Saint Martin
F-92237 Nanterre Cedex
France
Tél.: +33 1 41 30 11 00
Fax: +33 1 41 30 11 10
<http://www.tallygenicom.fr>

AUSTRIA

TallyGenicom Ges.m.b.H.
Eduard-Kittenberger-Gasse 95B
A-1232 Wien
Austria
Tel.: +43 1 863 40 0
Fax: +43 1 863 40 240
<http://www.tallygenicom.at>

Russian Federation and C.I.S.

TallyGenicom Representative
Park Place Moscow
Office D-206
Leninsky Prospekt 113/1
117198 Moscow
Russian Federation
Phone: +7 095 956 56 40
Fax: +7 095 956 55 41
<http://www.tallygenicom.ru>

Free Manuals Download Website

<http://myh66.com>

<http://usermanuals.us>

<http://www.somanuals.com>

<http://www.4manuals.cc>

<http://www.manual-lib.com>

<http://www.404manual.com>

<http://www.luxmanual.com>

<http://aubethermostatmanual.com>

Golf course search by state

<http://golfingnear.com>

Email search by domain

<http://emailbydomain.com>

Auto manuals search

<http://auto.somanuals.com>

TV manuals search

<http://tv.somanuals.com>