

***Tanaka***

**Parts Catalog**

**Blower / Vac**

**Model: THB-2100**

**DPL-BV210-HST 01-10-96**

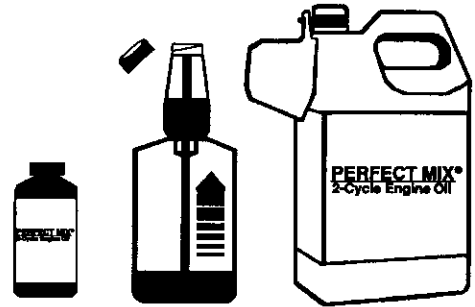
# THB-2100

## OPTIONS AND ACCESSORIES

### MANUALS / CATALOGS

211672 Owner's Manual  
DPL-PE210-HST Parts Catalog

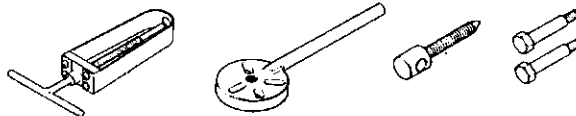
### PERFECT MIX® 2-Cycle Engine Oil



700109 2.8 oz. Bottle, 1 Gallon Size (24\*)  
700108 16 oz. Self-measuring Bottle (24\*)  
700110 1 Gallon Jug Commercial Size (6\*)  
\* Case Quantity

### SPECIAL TOOLS

215432 Pressure Test Tool  
217720 Torx Drive Set  
222785 T-25 Torx Drive 3.5  
009-29323-500 Piston Pin Remover  
111124 T-27 Torx Drive 3.5"  
323330 Ignition Tester  
91424 Tachometer



# FIGURE 1

# POWERHEAD ASSEMBLY

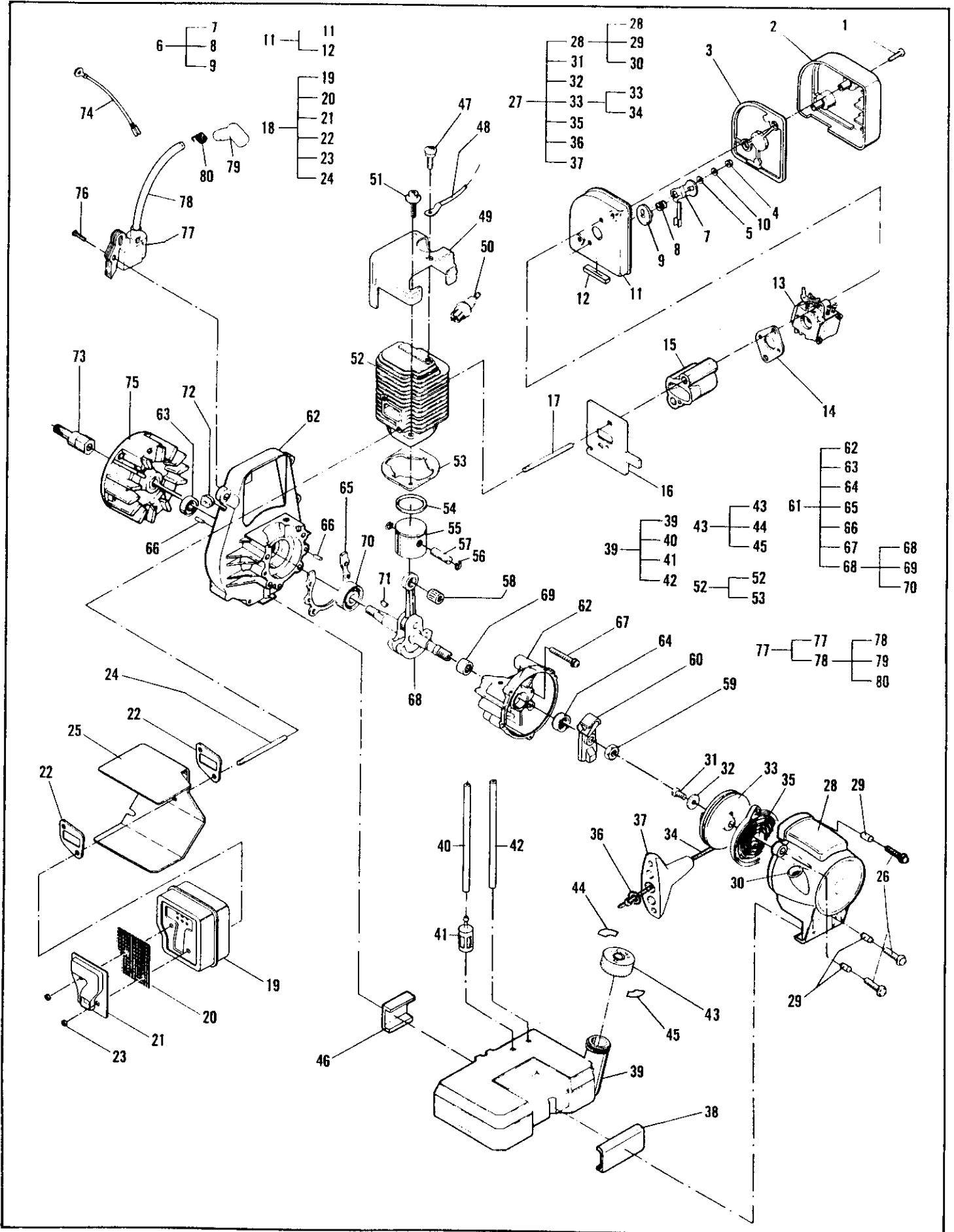


FIGURE 1

## THB-2100 PARTS LISTING

REF.	PART NO.	PART DESCRIPTION	Q	C	S	SERIAL NO.	REMARKS
1	217669	SCREW, M4X25	2		C		
2	215988	COVER, AIR CLEANER	1		D		
3	217376	FILTER, AIR	1		D		
4	216585	NUT, LOCK	2		C		
5	215993	SPACER	1		D		
6	223730	KIT, CHOKE ASS'Y	1		D		
7	~~~	* SHUTTER, CHOKE LEVER	1				
8	219016	SPRING, SHUTTER	1		C		
9	~~~	* PLATE, CHOKE SHUTTER	1				
10	216591	WASHER	1		C		
11	216108	CLEANER, AIR	1		D		
12	215992	GROMMET	1		D		
13	224143-01	CARBURETOR, ASS'Y	1		C		SEE FIG. 4
14	224148	GASKET, CARB.	1		C		
15	223985	INSULATOR, CARB.	1		C		
16	224149	SHIELD, INSULATOR	1		C		
17	222481	STUD	2		C		
18	300631	KIT, MUFFLER COMP.	1		C		
19	300632	BODY, MUFFLER	1		C		
20	322018	SCREEN, SPARK ARRESTOR	1		C		
21	322019	PLATE, DEFLECTOR	1		C		
22	323829	GASKET, MUFFLER	2		C		
23	235642	NUT	2		C		
24	222480	STUD, MUFFLER	2		D		
25	218652-01	SHIELD, MUFFLER	1		C		
26	216022	SCREW, M4X21.4	3		C		
27	301355	STARTER, ASS'Y	1		C		
28	301356	HOUSING, STARTER	1		C		
29	219585	SPACER, STERTER HOUSING	3		C		
30	218932	GUIDE, ROPE	1		C		
31	222800	SCREW, M4X9.5	1		D		
32	216590	WASHER, FLAT M4	1		C		
33	301252	DRUM, ROPE ASS'Y	1		C		
34	216093	ROPE, STARTER	1		D		
35	300474	SPRING, STARTER	1		C		
36	218941	WASHER, NYLON	1		D		
37	216792	HANDLE, STARTER	1		D		
38	217382	CUSHION, TANK	1		C		
39	219901	TANK, FUEL	1		C		
40	219899	HOSE, FUEL INLET	1				
41	216985	PICKUP, FUEL	1		C		
42	219897	HOSE, FUEL RETURN	1		C		

\* Indicates the part is included in a kit or assembly and is not available individually. Q=Quan. used C=Interchangeability S=Stocking code: A=Fast moving B=Med. fast move C=Med. move D=Slow move E=N.L.A. F=Superceded or replaced by a new part.

REF.	PART NO.	PART DESCRIPTION	Q	C	S	SERIAL NO.	REMARKS
43	301376	KIT, FUEL CAP/DECAL	1		A		
44	211242	DECAL, "OPEN SLOWLY"	1		D		
45	322250	DECAL, FUEL CAP	1		D		
46	217390	CUSHION, TANK	1		C		
47	213178	SCREW, M5X8.5	1		D		
48	218649	WIRE, GROUND	1		D		
49	218586	COVER, CYLINDER	1		C		
50	62345	PLUG, SPARK DJ8J	1		C		
51	217320	SCREW, M6X18	2		D		
52	224448	KIT, CYLINDER/GASKET	1		D		
53	223925	GASKET, CYLINDER	1		C		
54	223455	RING, PISTON	1		C		
55	224075	PISTON	1		D		
56	111026	RING, SNAP	2		D		
57	218275	PIN, WRIST	1		D		
58	110984	BEARING, NEEDLE	1		D		
59	216583	NUT, HEX	1		C		
60	225037	PAWL, STARTER ASS'Y	1		C		
61	301203	KIT, C'CASE/C'SHAFT/C'ROD	1		D		
62	301153	CRANKCASE, ASS'Y	1		C		
63	83859	SEAL, OIL	1		C		
64	216500	SEAL, OIL	1		C		
65	215545	GASKET, CRANKCASE	1		D		
66	213191	PIN	4		D		
67	216027	SCREW, M5X28.5	4		C		
68	301273	CRANFSHAFT, ASS'Y	1		C		
69	213282	BEARING, ROLLER	1		C		
70	216143	BEARING, BALL	1		C		
71	102164	KEY, FLYWHEEL	1		C		
72	215541	GROMMET	1		D		
73	218654	SHAFT, EXTENSION	1		C		
74	219383	WIRE, SWITCH ASS'Y	1		C		
75	222308	FLYWHEEL	1		C		
76	216022	SCREW, M4X21.4	2		C		
77	219848	COIL, IGNITION	1		C		
78	223884	KIT, SPARK PLUG WIRE	1		C		
79	95266	BOOT, PLUG	1		C		
80	102556	CONNECTOR	1		C		

\* Indicates the part is included in a kit or assembly and is not available individually. Q=Quan. used C=interchangeability S=Stocking code: A=Fast moving B=Med. fast move C=Med. move D=Slow move E=N.L.A. F=Superceded or replaced by a new part.

# FIGURE 2

# GENERAL ASSEMBLY

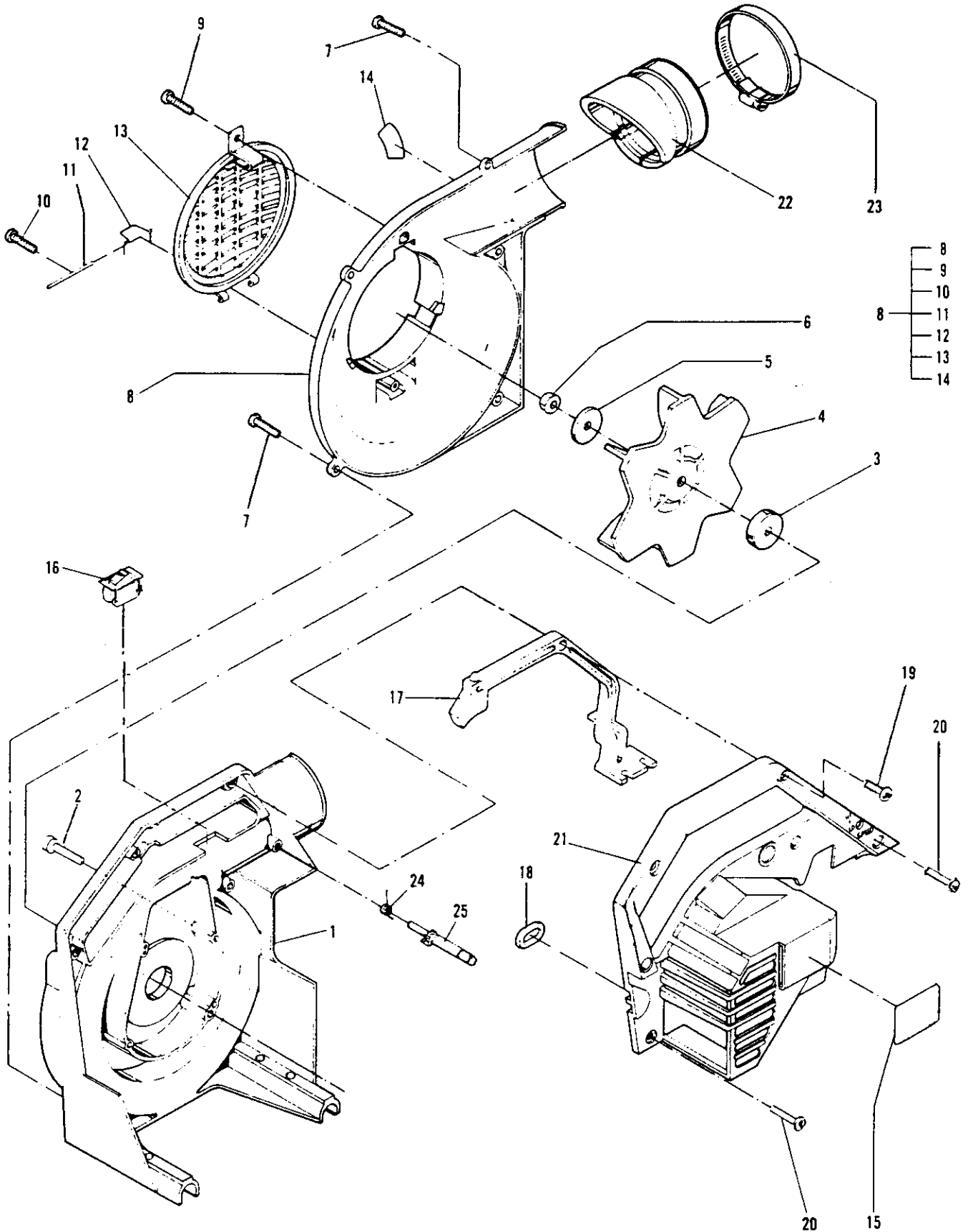


FIGURE 2

## THB-2100 PARTS LISTING

REF.	PART NO.	PART DESCRIPTION	Q	C	S	SERIAL NO.	REMARKS
1	322916	HOUSING, INNER, IMPELLER	1		C		
2	216022	SCREW, M4X21.4	4		C		
3	218655	DISC, DRIVE	1		C		
4	218518	IMPELLER	1		C		
5	218656	WASHER	1		C		
6	213169	NUT, M8	1		C		
7	218644	SCREW	5		C		
8	301358	HOUSING, OUTER	1		C		
9	216389	SCREW	1		C		
10	218643	SCREW	1		C		
11	218538	PIN, COVER	1		C		
12	218539	SPRING, COVER	1		C		
13	218939	COVER, INLET	1		C		
14	46704-56	DECAL, WARNING	1		D		
15	46704-55	DECAL, WARNING	1		D		
16	223241	SWITCH, STOP	1		C		
17	219189	LEVER, THROTTLE	1		C		
18	218667	LINK, HARNESS	2		C		
19	219954	SCREW	1		C		
20	218644	SCREW	5		C		
21	219946	SHROUD, ENGINE	1		C		
22	219174	ADAPTER, TUBE	1		C		
23	219172	CLAMP, HOSE	1		C		
24	219187	SPRING, LOCK, THROTTLE	1		C		
25	219188	ACTIVATOR, THROTTLE LOCK	1		C		

\* Indicates the part is included in a kit or assembly and is not available individually. Q=Quan. used C=Interchangeability S=Stocking code: A=Fast moving B=Med. fast move C=Med. move D=Slow move E=N.L.A. F=Superseded or replaced by a new part.

# ACCESSORIES

# FIGURE 3

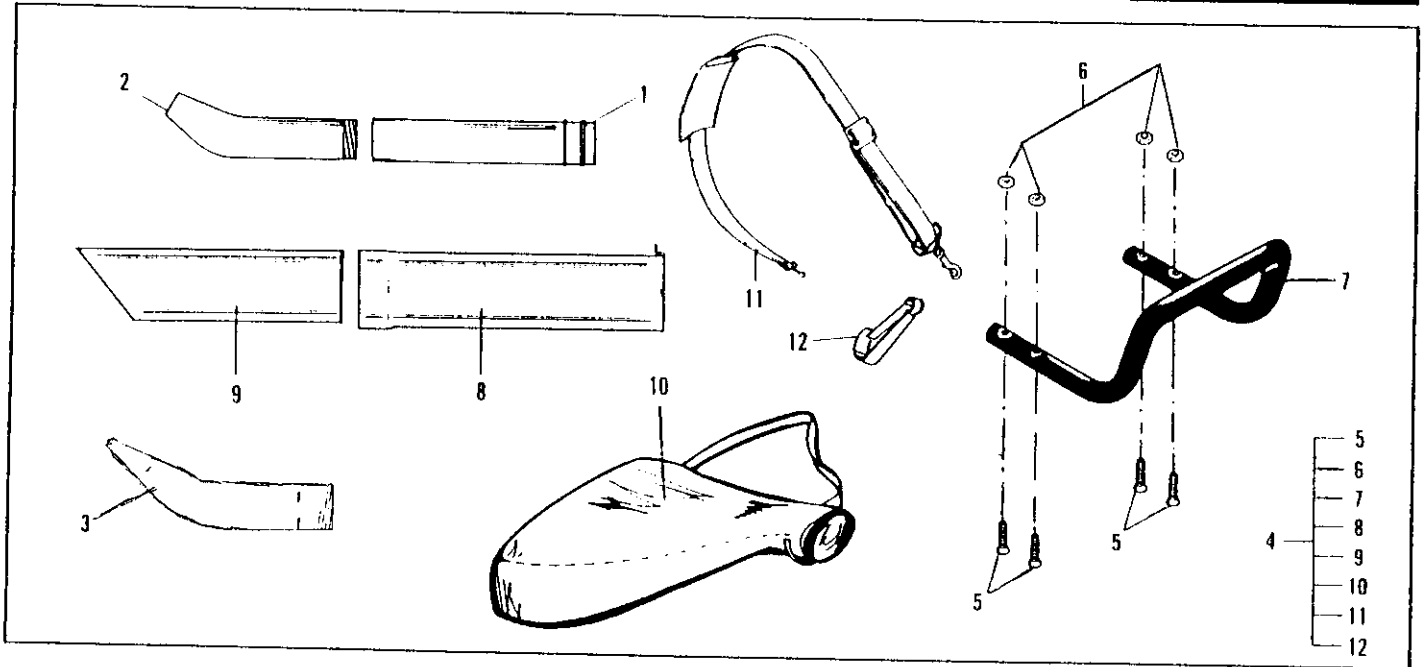


FIGURE 3

## THB-2100 PARTS LISTING

REF.	PART NO.	PART DESCRIPTION	Q	C	S	SERIAL NO.	REMARKS
1	219173-01	TUBE, BLOWER	1		C		
2	219179	NOZZLE, ROUND	1		C		
3	218841	NOZZLE	1		C		
4	301400	VAC KIT/THB-2100	1		C		
5	218947	SCREW	4		C		
6	213169	NUT	4		C		
7	223800	FRAME, REAR	1		C		
8	223798	TUBE, SUCTION	1		C		
9	223799	TUBE, OUTER	1		C		
10	323155	BAG, ASS'Y	1		C		
11	218666	HARNESS	1		C		
12	218938	HOOK, SNAP	1		C		

\* Indicates the part is included in a kit or assembly and is not available individually. Q=Quan. used C=Interchangeability S=Stocking code: A=Fast moving B=Med. fast move C=Med. move D=Slow move E=N.L.A. F=Superseded or replaced by a new part.



**FIGURE 4**

**CARBURETOR ASSEMBLY**

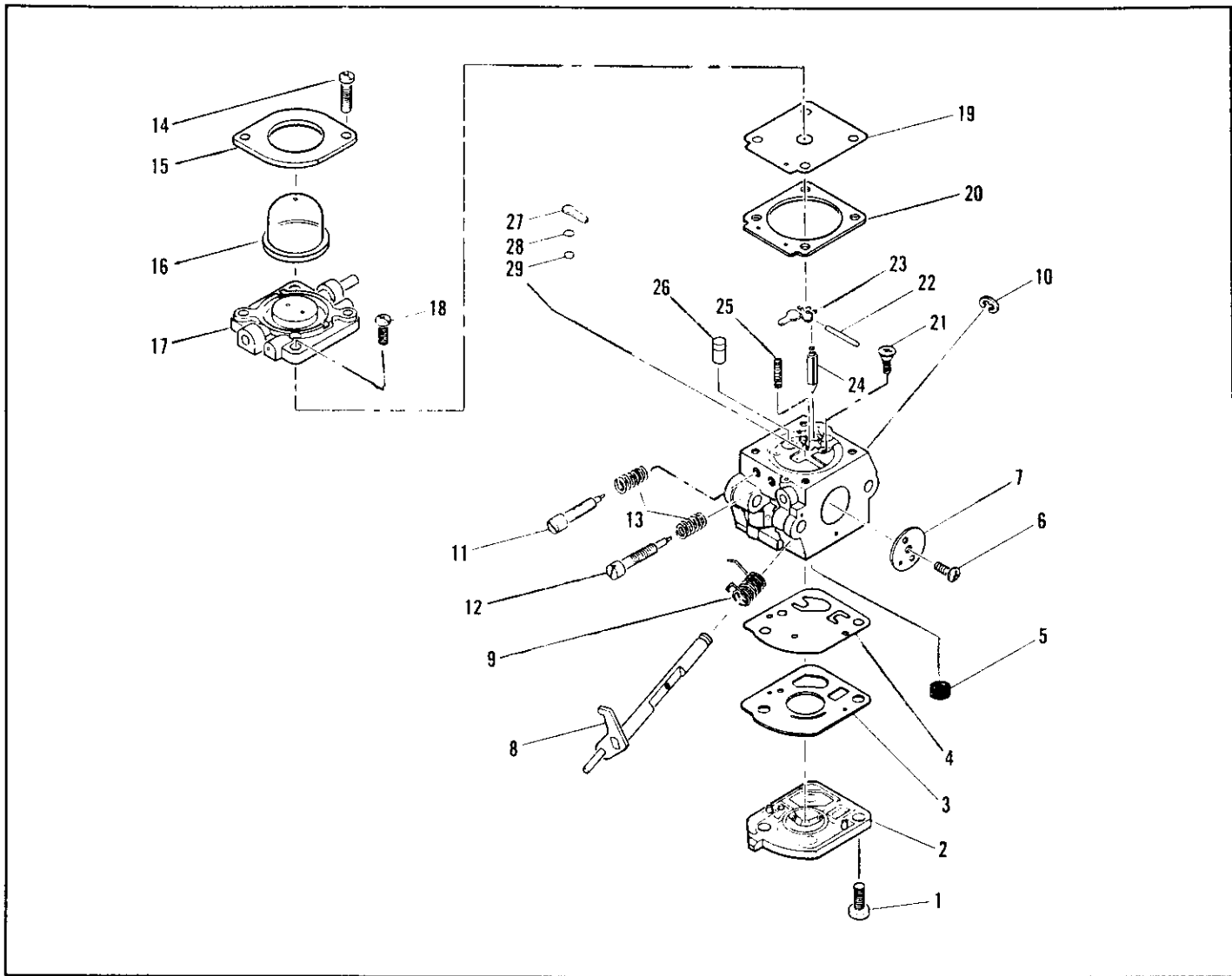


FIGURE 4

THB-2100 PARTS LISTING

REF.	PART NO.	PART DESCRIPTION	Q	C	S	SERIAL NO.	REMARKS
ALL	224143-01	CARBURETOR, ASS'Y	1		C		
1	~~~	SCREW, PUMP COVER	2				
2	~~~	COVER, PUMP	1				
3	~~~	(1)(2) GASKET, PUMP	1				(1) Carb. Repair Kit 300466
4	~~~	(1)(2) DIAPHRAGM, PUMP	1				
5	~~~	(1) STRAINER	1				(2) Carb. Gasket/Diaphragm Kit 300472
6	~~~	SCREW, THROTTLE VALVE	1				
7	~~~	VALVE, THROTTLE	1				
8	~~~	SHAFT ASS'Y, THROTTLE	1				
9	~~~	SPRING, THROTTLE	1				
10	~~~	"E" RING, THROTTLE	1				
11	~~~	(1) SCREW, HIGH SPEED	1				
12	~~~	(1) SCREW, LOW SPEED	1				
13	~~~	SPRING, ADJUSTER SCREW	2				
14	~~~	SCREW, METERING COVER	2				
15	~~~	RETAINER, PRIMER	1				
16	223756	BULB, PRIMER	1		C		
17	~~~	BASE ASS'Y, PRIMER	1				
18	~~~	SCREW, BASE ASS'Y	2				
19	~~~	(1)(2) DIAPHRAGM, ASS'Y, METER	1				
20	~~~	(1)(2) GASKET, METER. CHAMBER	1				
21	~~~	SCREW, PIN RETAINING	1				
22	~~~	(1) PIN, METERING LEVER	1				
23	~~~	(1) LEVER, METERING	1				
24	~~~	(1) VALVE, INLET NEEDLE	1				
25	~~~	(1) SPRING, METERING LEVER	1				
26	~~~	(1) NOZZLE ASS'Y CK. VALVE	1				
27	~~~	(1) PLUG, WELCH	1				
28	~~~	RETAINER, CHECK VALVE	1				
29	~~~	VALVE, CHECK	1				

(1) (2) Indicates the part is included in a kit or assembly and is not available individually. Q=Quan. used  
 C=Interchangeability S=Stocking code: A=Fast moving B=Med. fast move C=Med. move D=slow move E=N.L.A.  
 F=Superceded or replaced by a new part.

## Free Manuals Download Website

<http://myh66.com>

<http://usermanuals.us>

<http://www.somanuals.com>

<http://www.4manuals.cc>

<http://www.manual-lib.com>

<http://www.404manual.com>

<http://www.luxmanual.com>

<http://aubethermostatmanual.com>

Golf course search by state

<http://golfingnear.com>

Email search by domain

<http://emailbydomain.com>

Auto manuals search

<http://auto.somanuals.com>

TV manuals search

<http://tv.somanuals.com>