

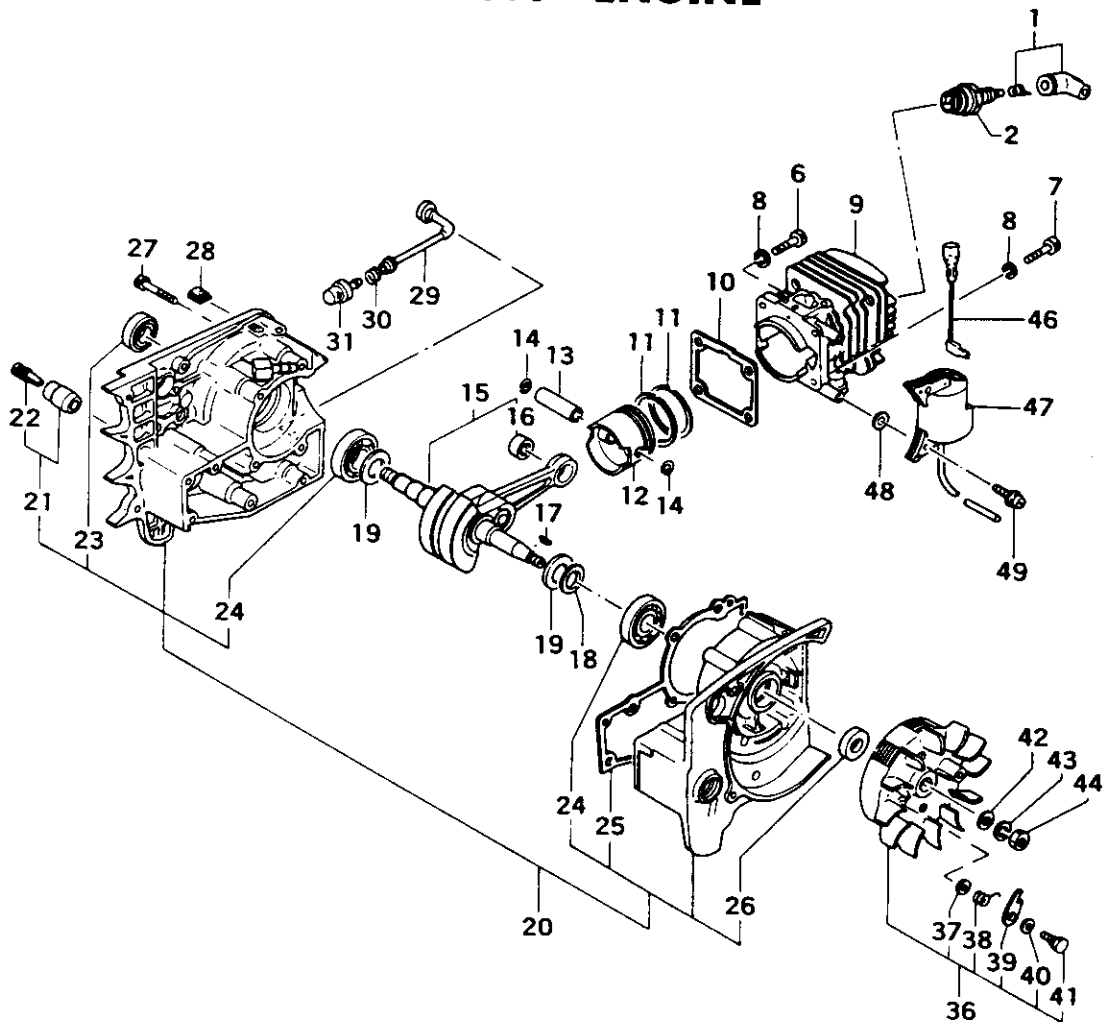
Tanaka

Parts Catalog

Chain Saw

Model: ECS-3500B

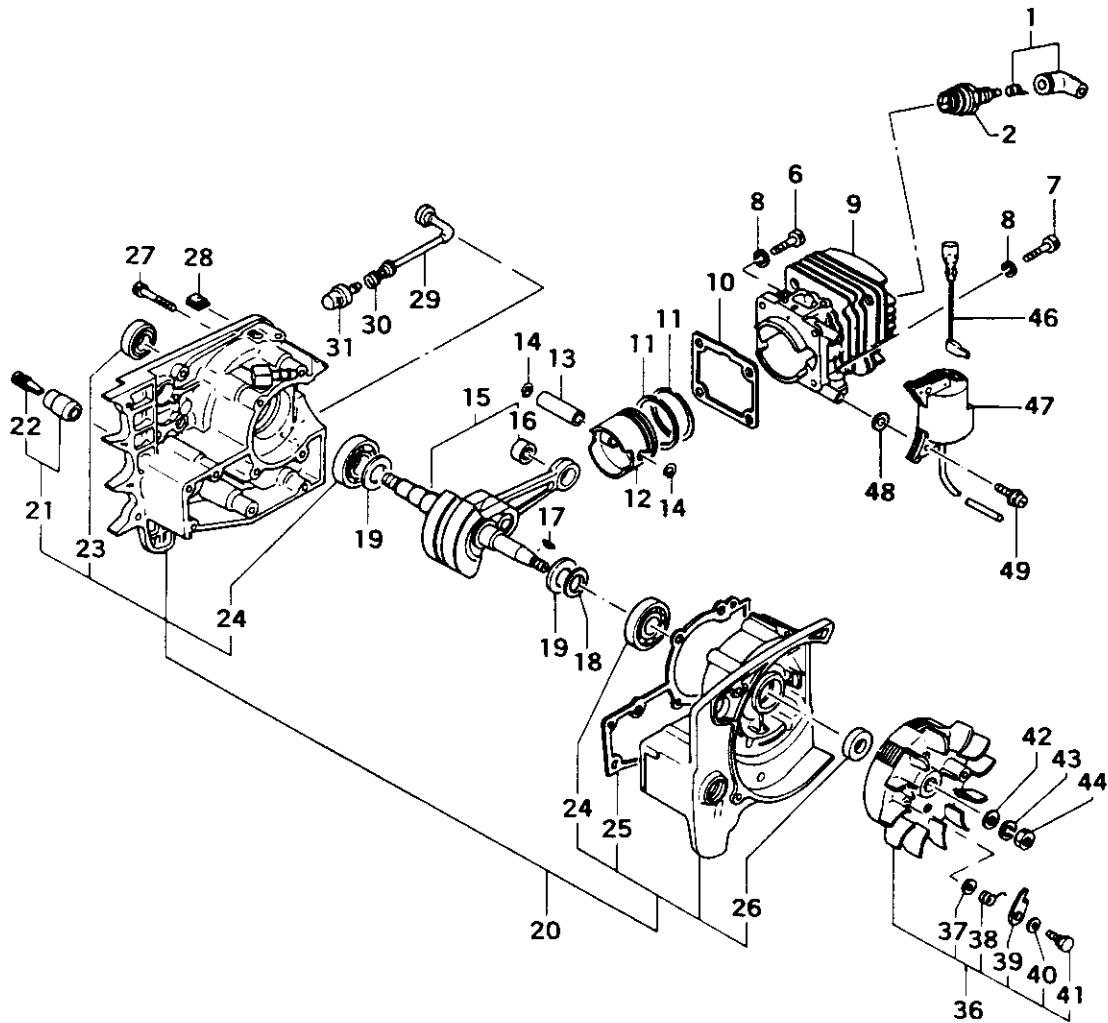
FIG.1 ENGINE



REF. NBR	PART NBR	PART NAME	QTY	SERIAL NBR	REMARKS
1-001	157-04200-900	SPARK PLUG CAP ASS'Y	1		
1-002	018-11680-200	SPARK PLUG BPM6A	1		
1-006	990-51050-183	HEX. HOLE BOLT 5X18	2		
1-007	990-51050-223	HEX. HOLE BOLT 5X22	2		
1-008	992-10050-012	S. WASHER 5	4		
1-009	002-04080-201	CYLINDER	1		
1-010	017-04060-200	CYLINDER GASKET	1		
1-011	041-04000-200	PISTON RING	2		
1-012	031-01800-200	PISTON	1		
1-013	037-01400-200	PISTON PIN	1		
1-014	039-00000-201	PISTON PIN CIRCLIP	2		
1-015	046-04075-800	CRANK SHAFT COMP.	1		
1-016	999-62091-325	NEEDLE BEARING F-910	1		
1-017	068-10100-200	WOOD-RUFF KEY 3X13X4.5	1		
1-018	071-02007-200	CRANK SHAFT SHIM 0.05	V		
1-018	071-02007-210	CRANK SHAFT SHIM 0.10	V		
1-018	071-02007-220	CRANK SHAFT SHIM 0.15	V		
1-018	071-02007-230	CRANK SHAFT SHIM 0.20	V		
1-018	071-02007-240	CRANK SHAFT SHIM 0.30	V		
1-019	070-02401-201	CRANK SHAFT WASHER 15.2X22	2		
1-020	072-04080-920	CRANK CASE ASSY	1		
1-021	645-32530-900	VLAVE HOLDER ASSY	1		
1-022	562-04060-200	AIR VENT VALVE B	1		
1-023	999-66152-500	OIL SEAL 15257	1		

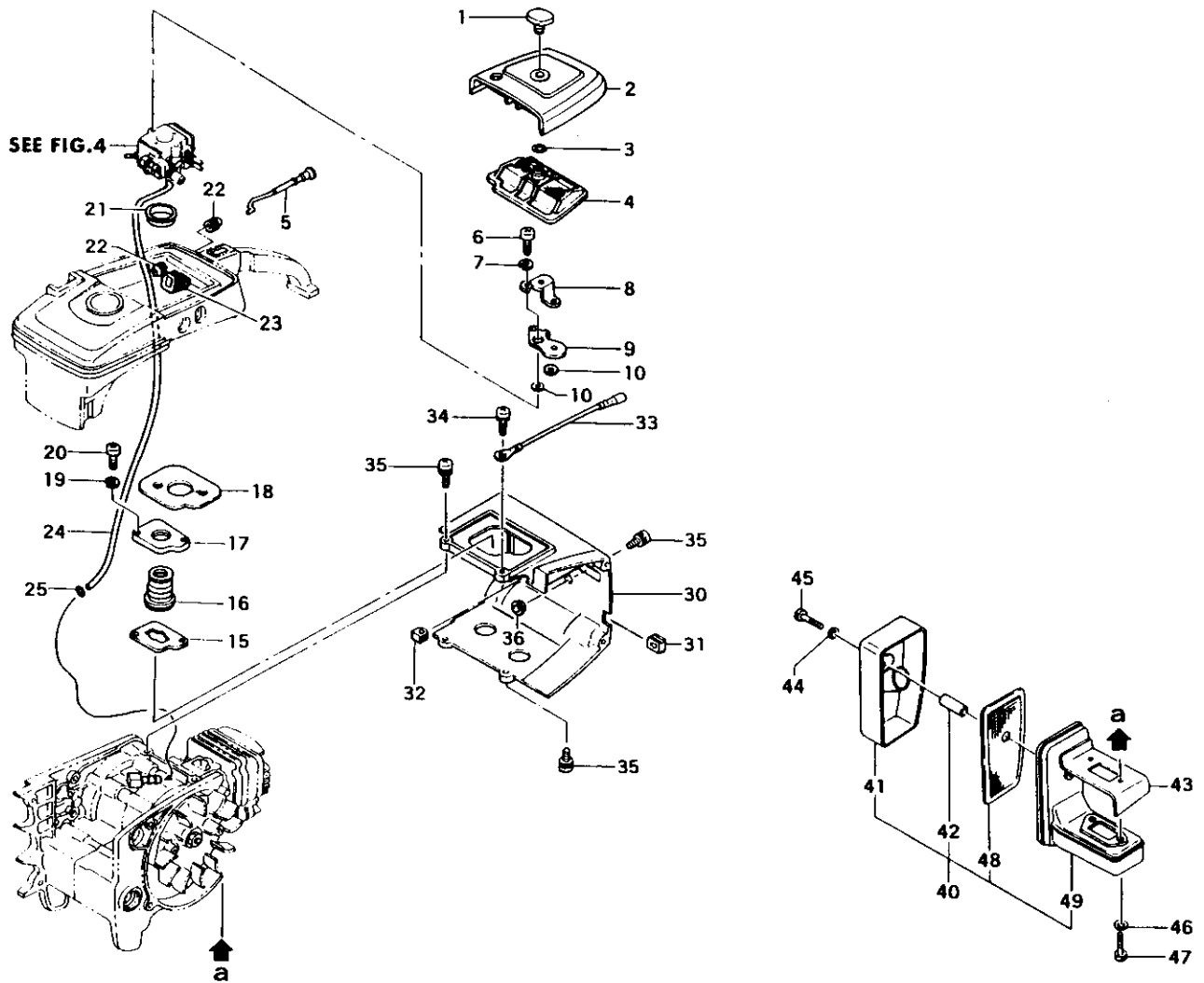
-To be cont'd-

FIG. 1 ENGINE



REF. NBR	PART NBR	PART NAME	QTY	SERIAL NBR	REMARKS
1-024	999-61620-200	BALL BEARING #6202	2		
1-025	090-04080-202	CRANK CASE GASKET	1		
1-026	999-66122-200	OIL SEAL 12227	1		
1-027	990-51050-303	HEX. HOLE BOLT 5X30	8		
1-028	488-32530-202	OIL ADJUST GROMMET	1		
1-029	505-32530-220	OIL PIPE B	1		
1-030	680-04019-210	CLIP 7	1		
1-031	486-32710-900	OIL FILTER BODY ASS'Y	1		
1-036	155-21719-900	MAGNETO ROTOR ASS'Y	1		
1-037	786-00601-200	STARTER PAWL WASHER	2		
1-038	790-01800-200	STARTER PAWL SPRING	2		
1-039	788-00601-203	STARTER PAWL	2		
1-040	822-00601-200	STARTER PAWL SHIM 0.6T	2		
1-041	793-10200-202	STEP BOLT	2		
1-042	992-01070-011	WASHER 7	1		
1-043	992-10070-012	S. WASHER 7	1		
1-044	066-01800-200	FLYWHEEL NUT	1		
1-046	178-04080-800	STOP CORD COMP.	1		
1-047	167-21952-800	IGNITION COIL COMP.	1		
1-048	182-0186A-201	WASHER	2		
1-049	994-16040-226	SCREW 4X22/WS	2		

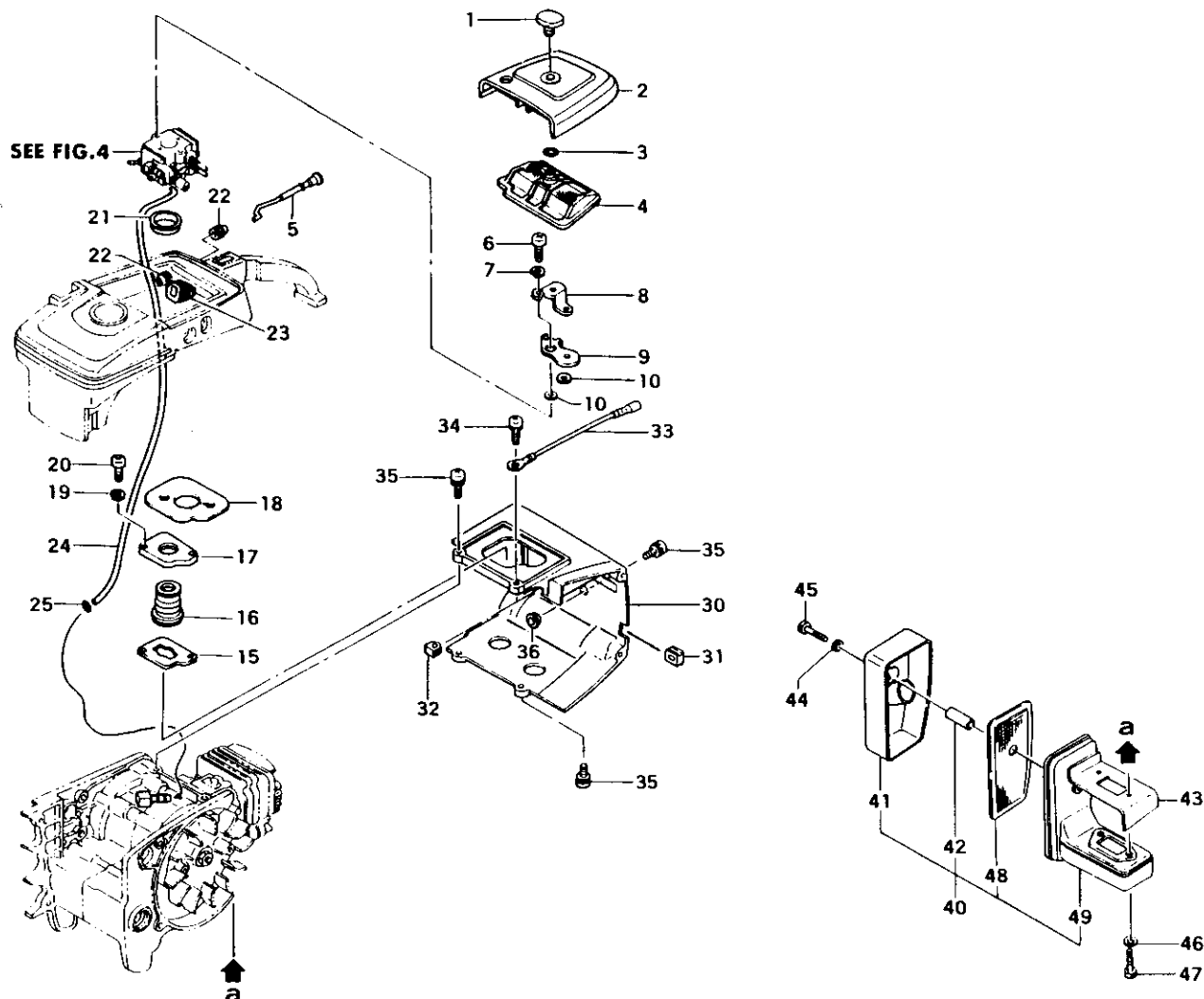
FIG.2 ENGINE COMPONENTS



REF. NBR	PART NBR	PART NAME	QTY	SERIAL NBR	REMARKS
2-001	175-32530-800	CLEANER KNOB COMP.	1		
2-002	051-32810-200	CLEANER COVER	1		
2-003	999-67003-000	O-RING P-3	1		
2-004	420-04080-800	CLEANER ELEMENT COMP.	1		
2-005	704-32540-800	CHOKE BUTTON COMP.	1		
2-006	990-11050-401	SCREW 5X40	2		
2-007	992-10050-012	S.WASHER 5	2		
2-008	476-04060-200	BLOW OVER CHECK BOARD	1		
2-009	700-32540-200	CHOKE VALVE	1		
2-010	708-32350-200	CHOKE VALVE SHIM	2		
2-015	403-04080-200	INLET MANIFOLD GASKET	1		
2-016	393-04090-200	INLET MANIFOLD	1		
2-017	392-04090-200	MANIFOLD FLANG	1		
2-018	138-04080-200	AIR DEFLECTOR A	1		
2-019	992-10040-012	S.WASHER 4	2		
2-020	990-11040-141	SCREW 4X14	2		
2-021	400-32540-200	INLET MANIFOLD SPACER	1		
2-022	202-01003-201	SECONDARY CORD GROMMET	2		

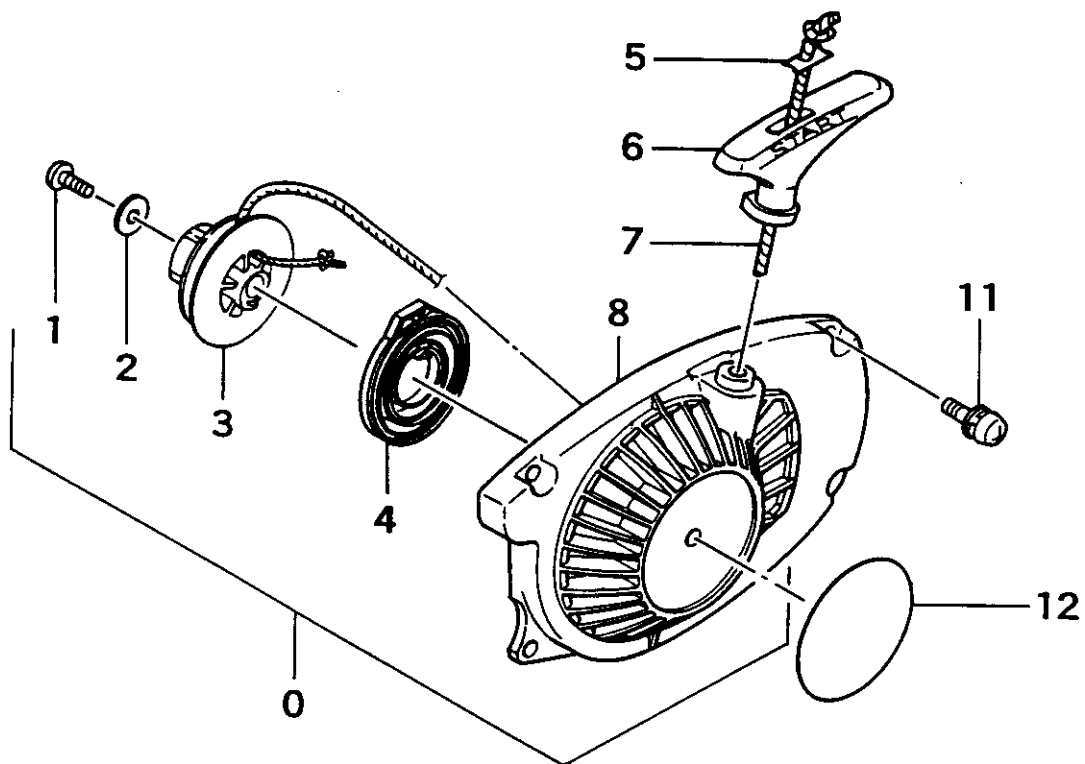
-To be cont'd-

FIG.2 ENGINE COMPONENTS



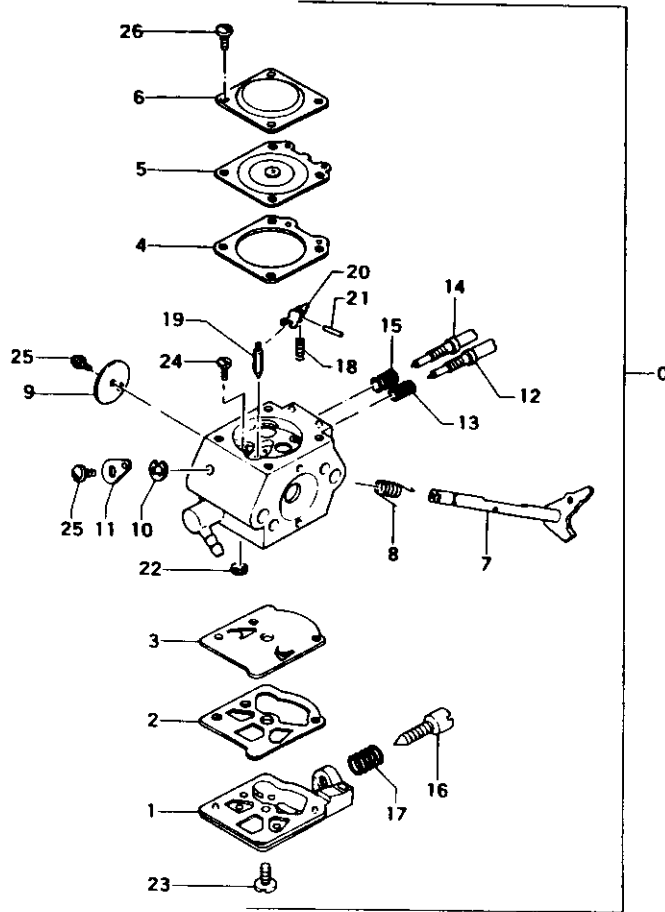
REF. NBR	PART NBR	PART NAME	QTY	SERIAL NBR	REMARKS
2-023	491-32540-200	THROTTLE GUIDE	1		
2-024	700-12665-110	FUEL PIPE	1		
2-025	680-00731-201	CLIP	1		
2-030	016-04080-801	CYLINDER COVER COMP.	1		
2-031	203-10000-200	PRIMARY CORD GROMMET	1		
2-032	203-06000-200	PRIMARY CORD GROMMET	1		
2-033	274-04080-800	EARTH CORD, B55M	1		
2-034	994-14050-162	SCREW 5X16/S	1		
2-035	994-15050-162	SCREW 5X16/PS	5		
2-036	027-0630A-201	COLLAR	2		
2-040	705-04079-900	MUFFLER ASS'Y	1		
2-041	717-04075-800	MUFFLER BODY B COMP.	1		
2-042	740-01802-200	MUFFLER COLLAR	1		
2-043	737-04090-200	MUFFLER GASKET	1		
2-044	992-01050-011	WASHER 5	1		
2-045	990-51050-353	HEX. HOLE BOLT 5X35	1		
2-046	992-00050-011	SMALL WASHER 5	2		
2-047	990-51050-353	HEX. HOLE BOLT 5X35	2		
2-048	732-04079-200	SPARK ARRESTOR	1		
2-049	710-04060-800	MUFFLER BODY COMP.	1		

FIG.3 RECOIL STARTER



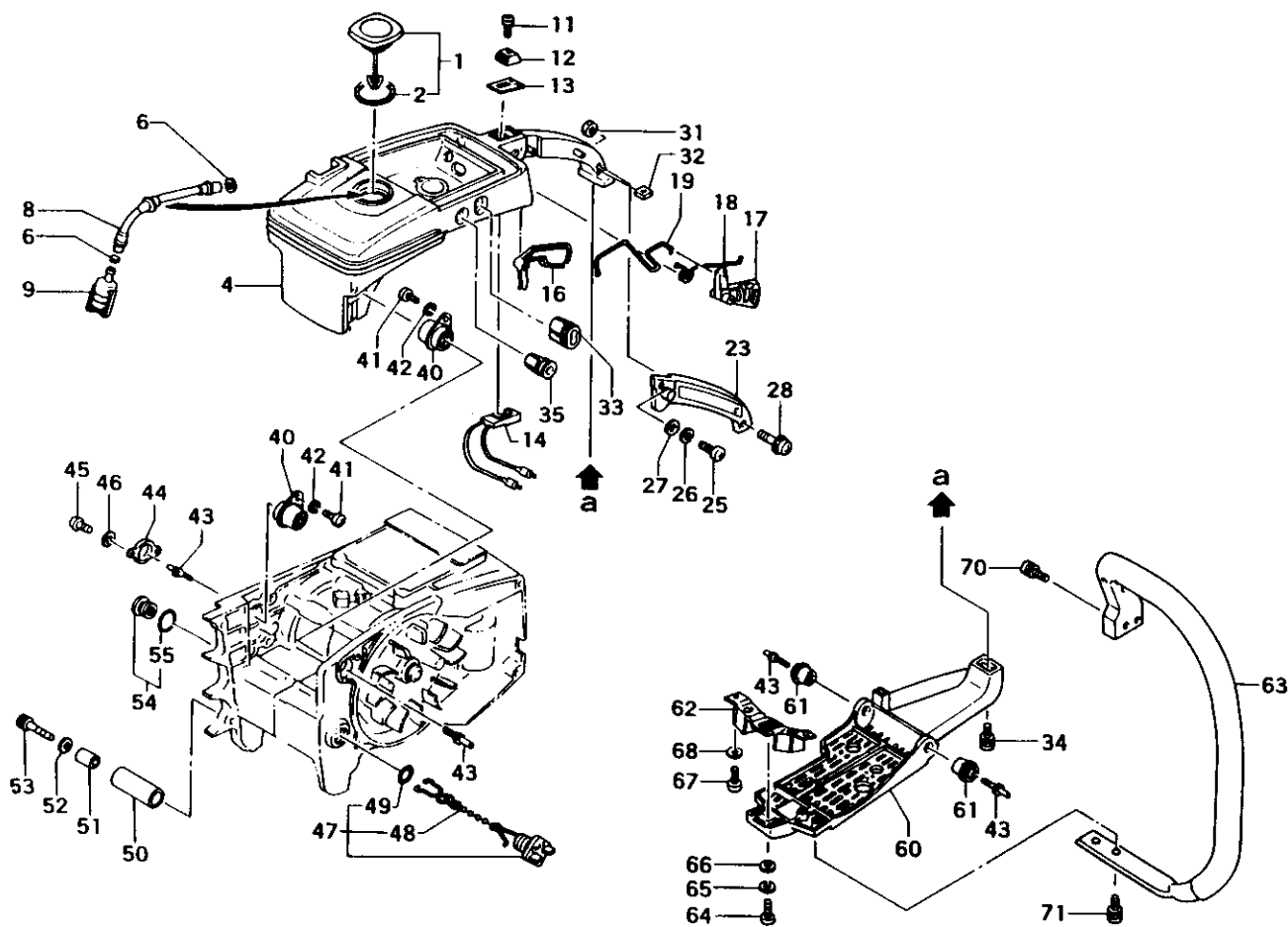
REF. NBR	PART NBR	PART NAME	QTY	SERIAL NBR	REMARKS
3-000	756-04080-900	RECOIL STARTER ASSY	1		
3-001	890-15050-121	SCREW 5X12	1		
3-002	786-04063-200	STARTER WASHER	1		
3-003	774-04063-800	STARTER ROPE REEL COMP.	1		
3-004	778-00601-900	RECOIL SPRING CASE ASS'Y	1		
3-005	795-04063-200	ROPE STOPPER	1		
3-006	785-04063-200	STARTER HANDLE	1		
3-007	783-04075-200	STARTER ROPE	1		
3-008	112-04080-800	FAN CASE COMP.	1		
3-011	994-16050-162	SCREW 5X16/WS	4		
3-012	950-37900-200	PROFORCE MARK A	1		

FIG.4 CARBURETOR



REF. NBR	PART NBR	PART NAME	QTY	SERIAL NBR	REMARKS
4-000	455-25048-900	CARBURETOR ASS'Y	1		
4-001	575-25043-800	PUMP BODY COMP.	1		
4-002	577-25007-200	PUMP GASKET	1		
4-003	576-25006-200	PUMP DIAPHRAGM	1		
4-004	475-25001-200	DIAPHRAGM GASKET	1		
4-005	474-25001-800	METERING DIAPHRAGM COMP.	1		
4-006	476-25004-200	DIAPHRAGM COVER	1		
4-007	464-25016-800	THROTTLE SHAFT COMP.	1		
4-008	486-25040-200	THROTTLE SPRING	1		
4-009	488-25007-200	THROTTLE VALVE	1		
4-010	489-25007-200	STOP RING	1		
4-011	491-25007-200	THROTTLE LEVER	1		
4-012	460-25027-200	HIGH ADJUST SCREW	1		
4-013	485-25040-200	HIGH ADJUST SPRING	1		
4-014	461-25043-200	LOW ADJUST SCREW	1		
4-015	623-25032-200	HIGH/LOW ADJUST SPRING	1		
4-016	462-25016-200	IDLE ADJUST SCREW	1		
4-017	463-25006-200	IDLE ADJUST SPRING	1		
4-018	477-25013-200	VALVE SPRING	1		
4-019	603-25001-200	NEEDLE VALVE	1		
4-020	473-25001-200	VALVE HINGE	1		
4-021	605-25001-200	HINGE PIN	1		
4-022	578-25007-200	INLET SCREEN	1		
4-023	514-25001-200	SET SCREW	1		
4-024	546-25001-200	HINGE PIN SET SCREW	1		
4-025	467-25003-200	SHUTTER SCREW	2		
4-026	548-25012-200	SET SCREW	4		

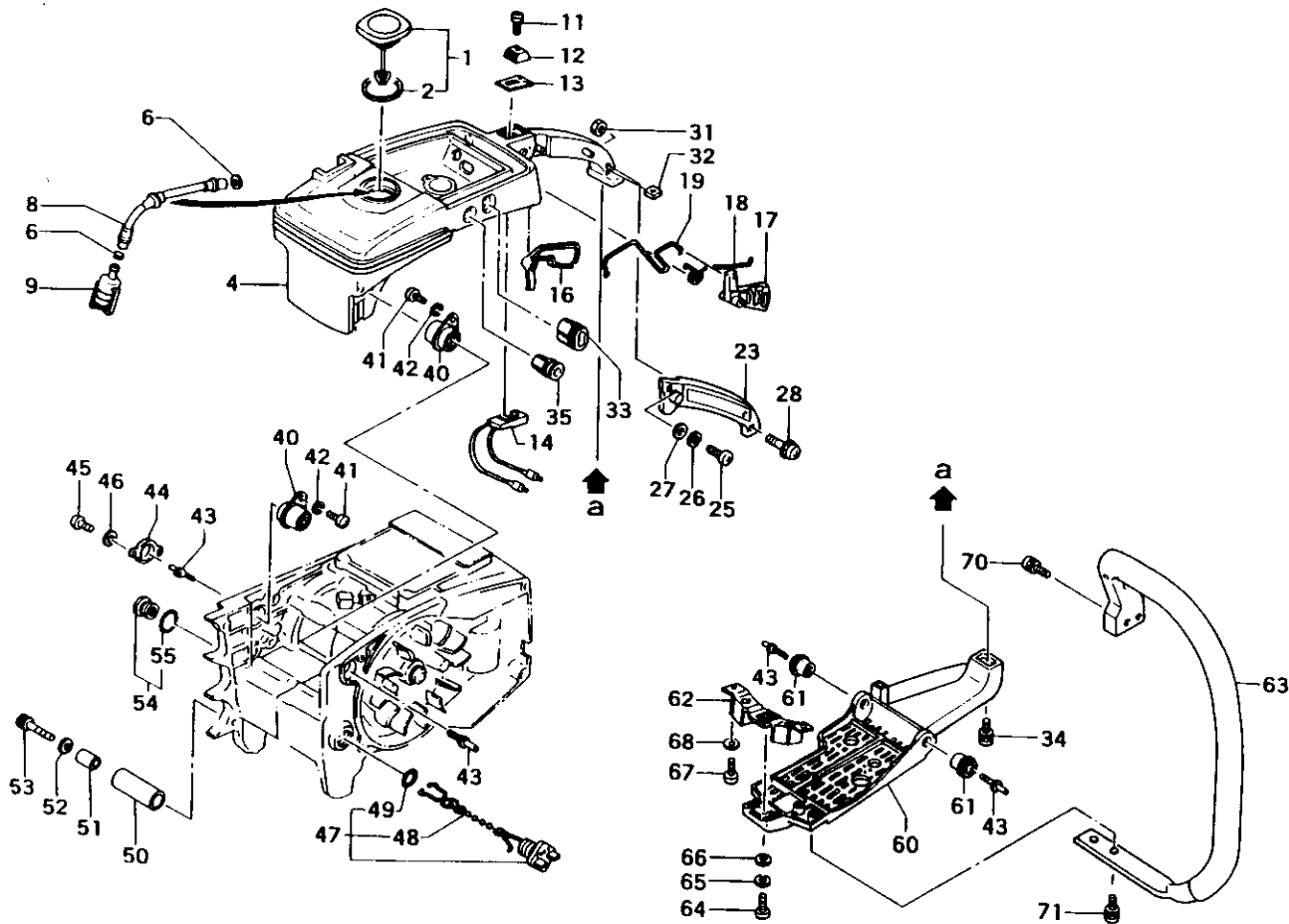
FIG.5 HANDLE



REF. NBR	PART NBR	PART NAME	QTY	SERIAL NBR	REMARKS
5-001	635-32615-910	FUEL TANK CAP ASS'Y	1		
5-002	642-11600-200	TANK CAP GASKET	1		
5-004	010-32815-800	REAR HANDLE A COMP.	1		
5-006	680-04019-210	CLIP 7	2		
5-008	678-04080-201	RUBBER PIPE	1		
5-009	675-11600-900	PUMP FILTER BODY ASS'Y	1		
5-011	994-31030-101	SCREW 3X10	1		
5-012	258-11600-200	BUTTON STOP	1		
5-013	925-32530-200	STOP BUTTON MARK	1		
5-014	170-04080-800	STOP BUTTON COMP.	1		
5-016	257-32810-200	SAFETY LEVER	1		
5-017	060-32810-200	THROTTLE LEVER	1		
5-018	061-32810-200	THROTTLE LEVER SPRING	1		
5-019	490-32810-200	THROTTLE ROD	1		
5-023	011-32810-800	REAR HANDLE B COMP.	1		
5-025	990-11040-301	SCREW 4X30	1		
5-026	992-10040-012	S.WASHER 4	1		
5-027	992-00040-011	SMALL WASHER 4	1		
5-028	994-16040-226	SCREW 4X22/WS	2		
5-031	991-01040-011	HEX. NUT 4	3		
5-032	856-32810-200	SPECIAL NUT	1		
5-033	190-32540-200	ADJUSTER CAP	1		
5-034	994-15050-252	SCREW 5X25PS	1		
5-035	191-32710-200	GROMMET	1		
5-040	219-32530-800	DAMPER COMP.	2		
5-041	990-11050-121	SCREW 5X12	2		

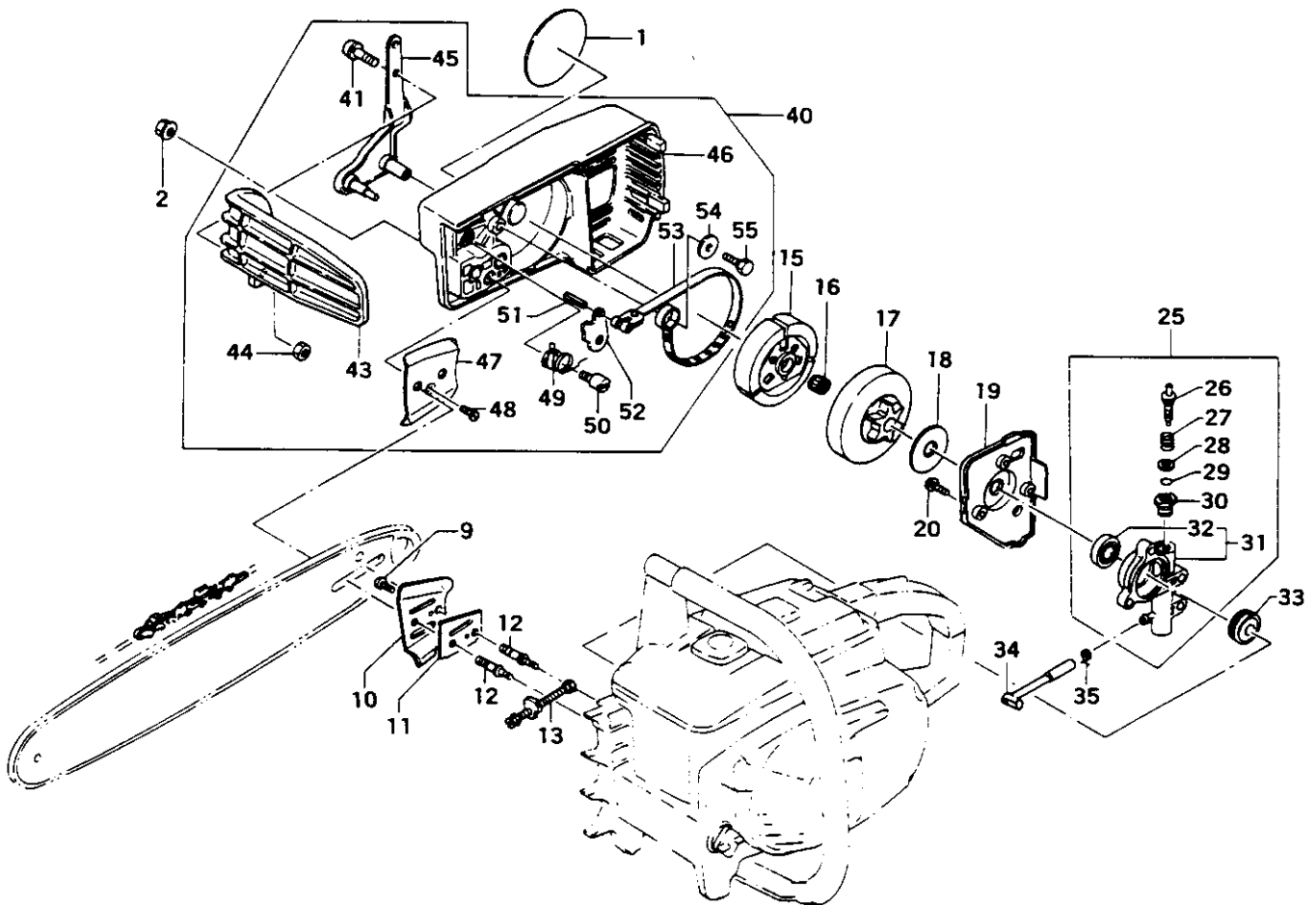
-To be cont'd-

FIG.5 HANDLE



REF. NBR	PART NBR	PART NAME	Q'TY	SERIAL NBR	REMARKS
5-042	992-10050-012	S. WASHER 5	2		
5-043	295-32600-202	DAMPER SET BOLT A	4		
5-044	224-32600-200	DAMPER CAP	1		
5-045	990-11040-081	SCREW 4X8	2		
5-046	992-00040-011	SMALL WASHER 4	2		
5-047	642-32650-901	OIL TANK CAP ASS'Y	1		
5-048	625-32620-900	TANK CAP CHAIN ASSY	1		
5-049	999-67020-000	O-RING P-20	1		
5-050	125-32540-200	CHAIN CATCHER	1		
5-051	478-32540-200	COLLAR	1		
5-052	992-00050-011	SMALL WASHER 5	1		
5-053	990-51050-253	HEX. HOLE BOLT 5X25	1		
5-054	525-32530-900	OIL LEVEL CAP ASS'Y	1		
5-055	999-67020-000	O-RING P-20	1		
5-060	002-32810-800	ENGINE BASE COMP.	1		
5-061	219-32600-821	DAMPER COMP.	2		
5-062	266-32530-801	DAMPER B COMP.	1		
5-063	209-32810-800	FRONT HANDLE COMP.	1		
5-064	990-11050-141	SCREW 5X14	1		
5-065	992-10050-012	S. WASHER 5	1		
5-066	992-01050-011	WASHER 5	1		
5-067	990-11050-121	SCREW 5X12	2		
5-068	992-10050-012	S. WASHER 5	2		
5-070	994-15050-252	SCREW 5X25PS	2		
5-071	994-15050-162	SCREW 5X16/PS	2		

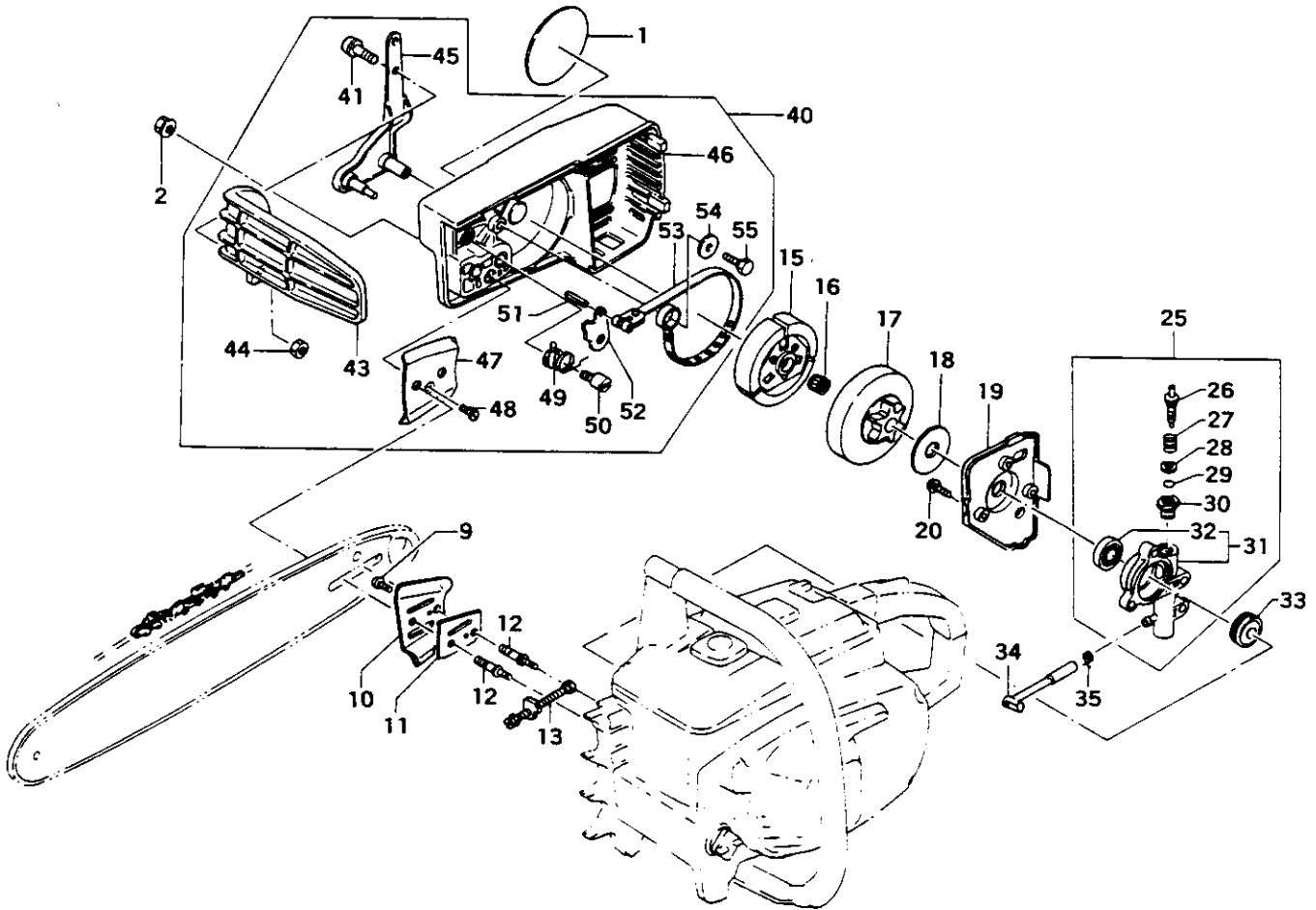
FIG.6 SIDE CASE



REF. NBR	PART NBR	PART NAME	QTY	SERIAL NBR	REMARKS
6-001	906-3281F-200	NAME PLATE	1		
6-002	121-32530-200	CHAIN BAR CLAMP NUT	2		
6-009	990-11040-081	SCREW 4X8	1		
6-010	461-32540-200	GUIDE PLATE A	1		
6-011	466-32520-200	PLATE	1		
6-012	101-32530-200	CHAIN BAR STUD BOLT	2		
6-013	116-32382-900	TENSION ADJUSTMENT BOLT ASS'Y	1		
6-015	287-01801-801	CLUTCH COMP.	1		
6-016	999-62101-301	NEEDLE BEARING 101310	1		
6-017	310-01801-801	CLUTCH HOUSING COMP. P-3/8	1		
6-018	358-04050-201	CLUTCH WASHER	1		
6-019	097-32530-810	OIL PUMP COVER COMP.	1		
6-020	990-11050-221	SCREW 5X22	3		
6-025	088-32530-910	OIL PUMP CASE ASS'Y	1		
6-026	501-32530-201	OIL PUMP ADJUSTER	1		
6-027	502-32550-200	ADJUSTER SPRING	1		
6-028	992-01050-011	WASHER 5	1		
6-029	999-67005-000	O-RING P-5	1		
6-030	503-32550-200	OIL PUMP ADJUST CAP	1		
6-031	145-32530-800	OIL PUMP COMP	1		

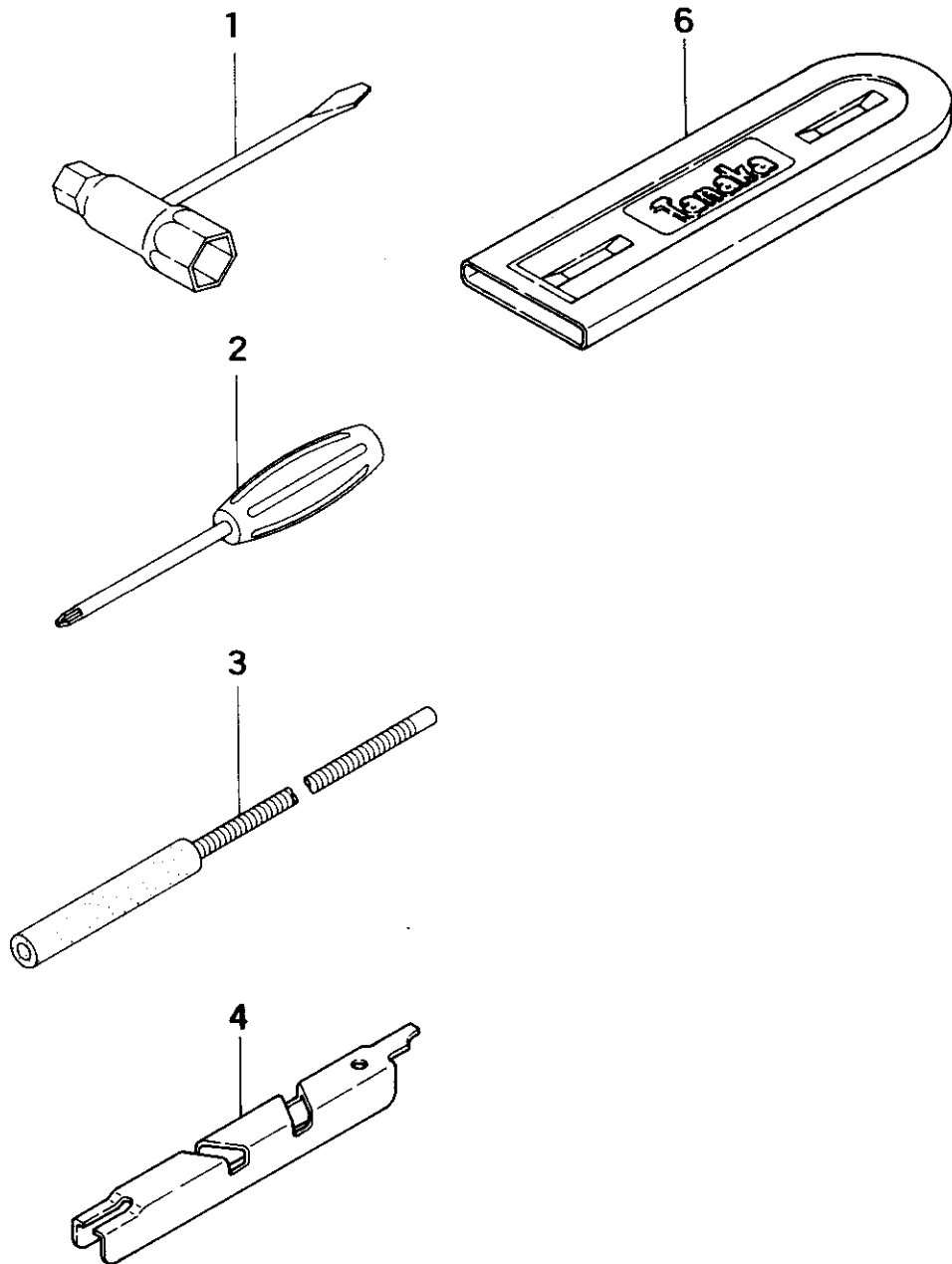
-To be cont'd-

FIG.6 SIDE CASE



REF. NBR	PART NBR	PART NAME	QTY	SERIAL NBR	REMARKS
6-032	999-66132-420	OIL SEAL AC13246	1		
6-033	084-32350-200	SCREW GEAR	1		
6-034	515-32530-221	OIL PIPE A	1		
6-035	680-04060-200	CLIP 6.8	1		
6-040	040-32818-900	SIDE CASE ASS'Y	1		
6-041	994-14050-162	SCREW 5X16/S	2		
6-043	380-32529-200	BRAKE HANDLE	1		
6-044	991-01050-011	HEX. NUT 5	2		
6-045	361-32750-801	BRAKE LEVER COMP.	1		
6-046	040-32529-800	SIDE CASE COMP.	1		
6-047	462-32525-200	GUIDE PLATE B	1		
6-048	993-41040-101	SCREW 4X10	1		
6-049	374-32367-210	BRAKE SPRING	1		
6-050	382-32750-200	STEP BOLT A	1		
6-051	993-24040-120	SPRING PIN 4X12	1		
6-052	373-32367-201	BRAKE ARM	1		
6-053	378-32529-800	BRAKE BAND COMP.	1		
6-054	368-32057-200	BRAKE SHAFT WASHER	1		
6-055	383-32367-210	STEP BOLT B	1		

FIG.7 TOOLS & OPTIONAL PARTS



REF. NBR	PART NBR	PART NAME	QTY	SERIAL NBR	REMARKS
7-001	013-29325-400	COMBI. BOX SPANNER 10X19	1		
7-002	862-20000-200	PLUS DRIVER 4	1		
7-003	936-20000-801	FILE ASS'Y 5/32"	1		
7-004	930-32057-200	DEPTH GAUGE	1		
7-006	947-32055-202	CHAIN COVER 16"	1		

Free Manuals Download Website

<http://myh66.com>

<http://usermanuals.us>

<http://www.somanuals.com>

<http://www.4manuals.cc>

<http://www.manual-lib.com>

<http://www.404manual.com>

<http://www.luxmanual.com>

<http://aubethermostatmanual.com>

Golf course search by state

<http://golfingnear.com>

Email search by domain

<http://emailbydomain.com>

Auto manuals search

<http://auto.somanuals.com>

TV manuals search

<http://tv.somanuals.com>