

SPARE PARTS CATALOGUE

PORTABLE ENGINE GENERATOR

MODEL

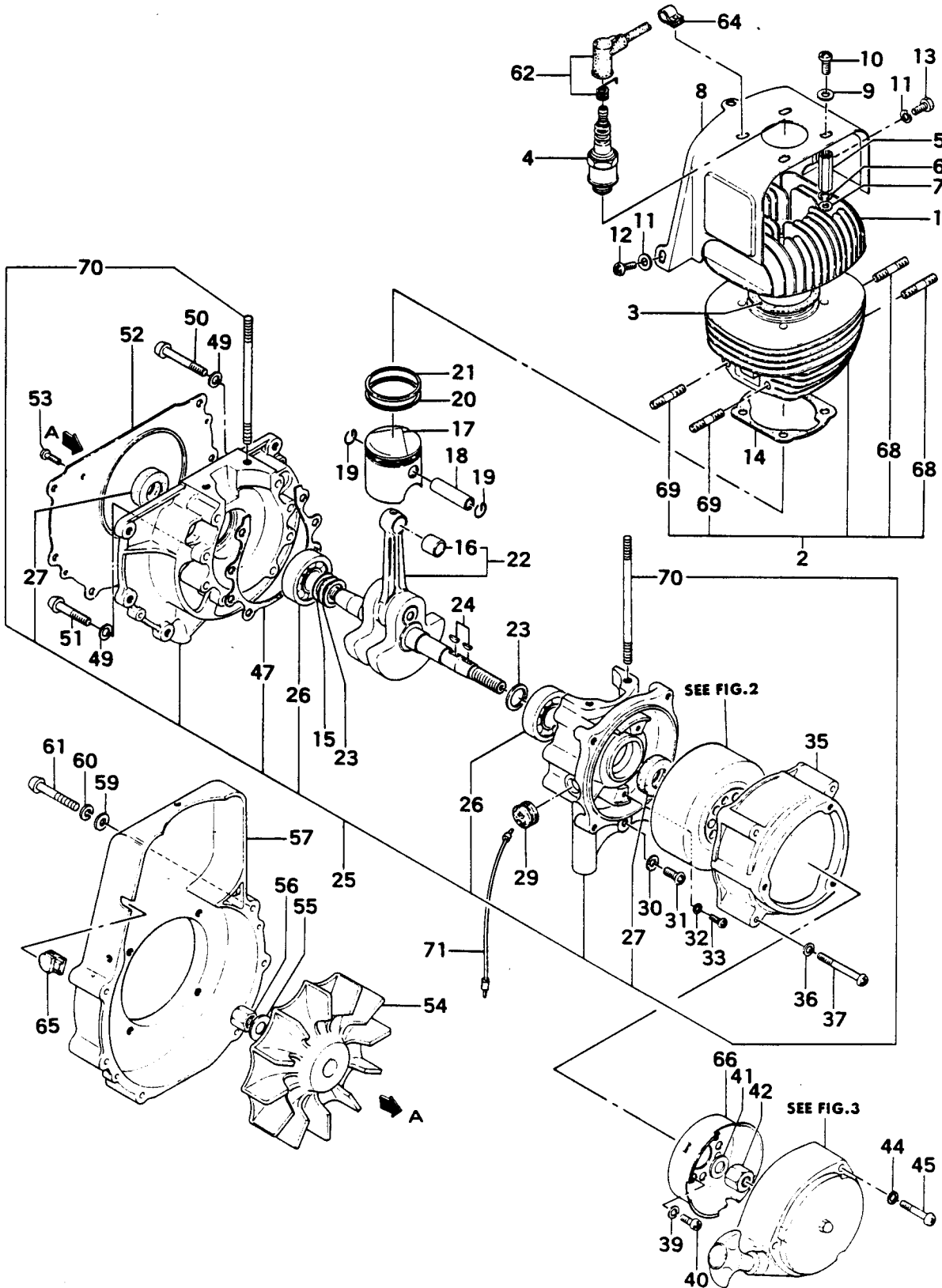
DEG-600

(Including Aqua Bug model)



4M20 **(US)**

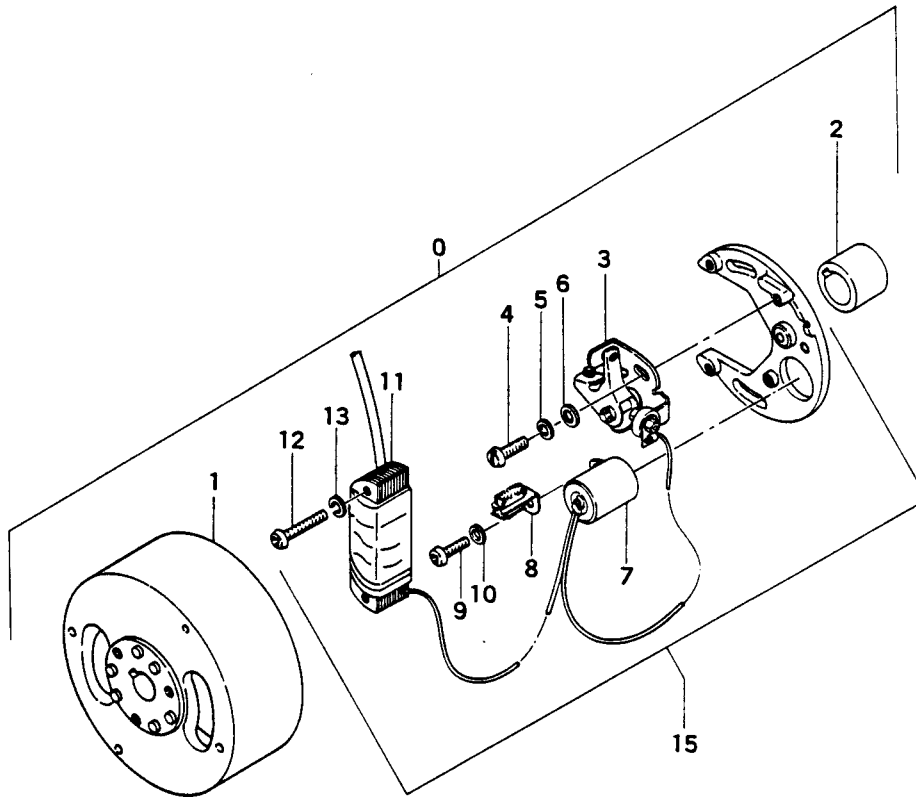
FIG.1 ENGINE



| REFERENCE NUMBER | PRODUCTION PART NUMBER | PART NAME | QUANTITY | SERIAL NUMBER | SPARE PART NUMBER |
|---------------------|------------------------|------------------------|----------|---------------|-------------------|
| FIG.1 ENGINE | | | | | |
| 1-001 | 014-10112-201 | CYLINDER HEAD | 1 | 014 0020 | 5 |
| 1-002 | 002-10114-803 | CYLINDER COMP. | 1 | 002 0620 | 6 |
| 1-003 | 015-10100-201 | CYLINDER HEAD GASKET | 1 | 015 0010 | 5 |
| 1-004 | 018-11401-200 | SPARK PLUG B-7S | 1 | 018 0240 | 3 |
| 1-005 | 024-11100-200 | CYLINDER HEAD NUT 6X33 | 4 | 024 0030 | 5 |
| 1-006 | 992-10060-012 | S.WASHER 6 | 4 | 992 1019 | 7 |
| 1-007 | 992-01060-011 | WASHER 6 | 4 | 992 0040 | 8 |
| 1-008 | 016-10109-201 | CYLINDER SHROUD/D50 | 1 | 016 0510 | 7 |
| 1-009 | 992-01060-011 | WASHER 6 | 4 | 992 0040 | 8 |
| 1-010 | 990-11060-121 | SCREW 6X12 | 4 | 990 1119 | 6 |
| 1-011 | 992-01050-011 | WASHER 5 | 3 | 992 0035 | 6 |
| 1-012 | 990-11050-081 | SCREW 5X8 | 2 | 990 1060 | 7 |
| 1-013 | 990-21050-081 | BOLT 5X8 | 1 | 990 2012 | 9 |
| 1-014 | 017-10100-202 | CYLINDER GASKET/UL | 1 | 017 0180 | 1 |
| 1-015 | 071-11109-220 | CRANK SHAFT SHIM 0.15 | V | 071 0082 | 2 |
| 1-015 | 071-11109-230 | CRANK SHAFT SHIM 0.20 | V | 071 0083 | 1 |
| 1-015 | 071-11109-240 | CRANK SHAFT SHIM 0.30 | V | 071 0084 | 0 |
| 1-016 | 999-62101-004 | NEEDLE BEARING F1010B | 1 | 999 6208 | 1 |
| 1-017 | 031-10100-210 | PISTON | 1 | 031 0191 | 1 |
| 1-018 | 037-10100-200 | PISTON PIN 10X35 | 1 | 037 0080 | 4 |
| 1-019 | 039-02000-201 | PISTON PIN CIRCLIP | 2 | 039 0030 | 3 |
| 1-020 | 041-10100-201 | PISTON RING/LOWER | 1 | 041 0100 | 2 |
| 1-021 | 040-10100-200 | PISTON RING/TOP | 1 | 040 0070 | 1 |
| 1-022 | 046-10117-800 | CRANK SHAFT COMP. | 1 | 046 0580 | 5 |
| 1-023 | 070-10100-200 | CRANK SHAFT WASHER | 2 | 070 0030 | 2 |
| 1-024 | 068-02000-200 | WOOD-RUFF KEY 3X13X5 | 3 | 068 0040 | 2 |
| 1-025 | 072-10114-900 | CRANK CASE ASS'Y | 1 | 072 0090 | 8 |
| 1-026 | 999-61620-300 | BALL BEARING #6203 | 2 | 999 6143 | 1 |
| 1-027 | 999-66153-000 | OIL SEAL 15307 | 2 | 999 6627 | 8 |
| 1-029 | 202-10100-203 | SECONDARY CORD GROMMET | 1 | 202 0080 | 2 |
| 1-030 | 317-02000-200 | DRAIN GASKET 6 | 1 | 317 0020 | 9 |
| 1-031 | 990-11060-101 | SCREW 6X10 | 1 | 990 1116 | 9 |
| 1-032 | 992-01040-011 | WASHER 4 | 2 | 992 0031 | 0 |
| 1-033 | 990-11040-121 | SCREW 4X12 | 2 | 990 1033 | 3 |
| 1-035 | 806-04007-200 | STARTER BASE | 1 | 806 0040 | 8 |
| 1-036 | 992-10050-012 | S.WASHER 5 | 4 | 992 1012 | 4 |
| 1-037 | 990-11050-451 | SCREW 5X45 | 4 | 990 1098 | 0 |
| 1-039 | 992-10060-012 | S.WASHER 6 | 3 | 992 1019 | 7 |
| 1-040 | 990-11060-121 | SCREW 6X12 | 3 | 990 1119 | 6 |
| 1-041 | 065-02501-200 | FLYWHEEL WASHER | 1 | 065 0020 | 7 |
| 1-042 | 066-02300-201 | FLYWHEEL NUT | 1 | 066 0081 | 5 |
| 1-044 | 992-10050-012 | S.WASHER 5 | 3 | 992 1012 | 4 |
| 1-045 | 990-11050-451 | SCREW 5X45 | 3 | 990 1098 | 0 |
| 1-047 | 090-10107-201 | CRANK CASE GASKET | 1 | 090 0200 | 3 |
| 1-049 | 992-10060-012 | S.WASHER 6 | 6 | 992 1019 | 7 |
| 1-050 | 990-11060-351 | SCREW 6X35 | 4 | 990 1149 | 7 |
| 1-051 | 990-11060-401 | SCREW 6X40 | 2 | 990 1152 | 1 |
| 1-052 | 091-10107-201 | PARTITION PLATE | 1 | 091 0080 | 0 |
| 1-053 | 990-11040-081 | SCREW 4X8 | 2 | 990 1026 | 3 |
| 1-054 | 113-10114-805 | FAN COMP. | 1 | 113 0100 | 8 |
| 1-055 | 992-01100-011 | WASHER 10 | 1 | 992 0053 | 2 |
| 1-056 | 991-01100-011 | NUT 10/L.H.THREAD | 1 | 991 0035 | 9 |
| 1-057 | 112-10114-200 | FAN CASE | 1 | 112 0910 | 2 |
| 1-059 | 992-01050-011 | WASHER 5 | 6 | 992 0035 | 6 |

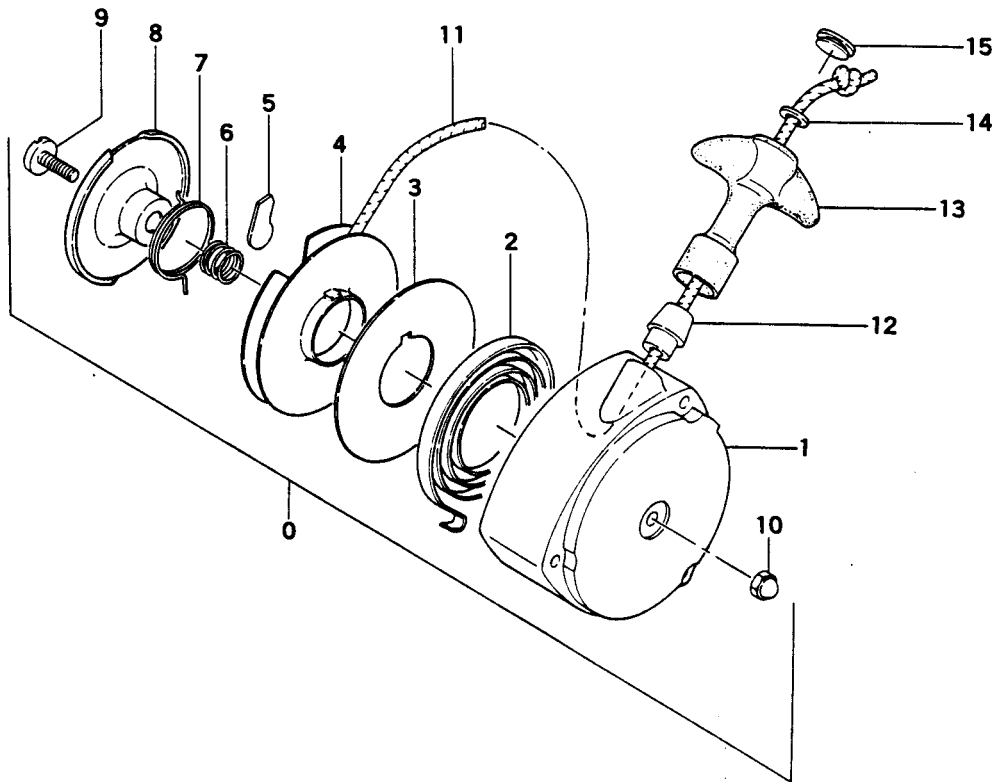
| REFERENCE NUMBER | PRODUCTION PART NUMBER | PART NAME | QUANTITY | SERIAL NUMBER | SPARE PART NUMBER |
|---------------------|------------------------|----------------------|----------|---------------|-------------------|
| FIG.1 ENGINE | | | | | |
| 1-060 | 992-10050-012 | S.WASHER 5 | 6 | | 992 1012 4 |
| 1-061 | 990-11050-401 | SCREW 5X40 | 6 | | 990 1095 3 |
| 1-062 | 157-04000-900 | SPARK PLUG CAP ASS'Y | 1 | | 157 0050 0 |
| 1-064 | 198-11109-200 | CORD CLAMP L | 1 | | 198 0170 6 |
| 1-065 | 204-10105-201 | CORD GROMMET | 1 | | 204 0010 7 |
| 1-066 | 798-10108-200 | STARTER PULLEY | 1 | | 798 0170 2 |
| 1-068 | 100-02100-200 | STUD BOLT 6X22 | 2 | | 100 0090 4 |
| 1-069 | 100-10114-200 | STUD BOLT 5X40 | 2 | | 100 0140 2 |
| 1-070 | 100-10100-200 | STUD BOLT 6X100 | 4 | | 100 0120 8 |
| 1-071 | 268-10114-800 | STOP CORD COMP. | 1 | | 268 0020 0 |

FIG.2 FLYWHEEL MAGNETO



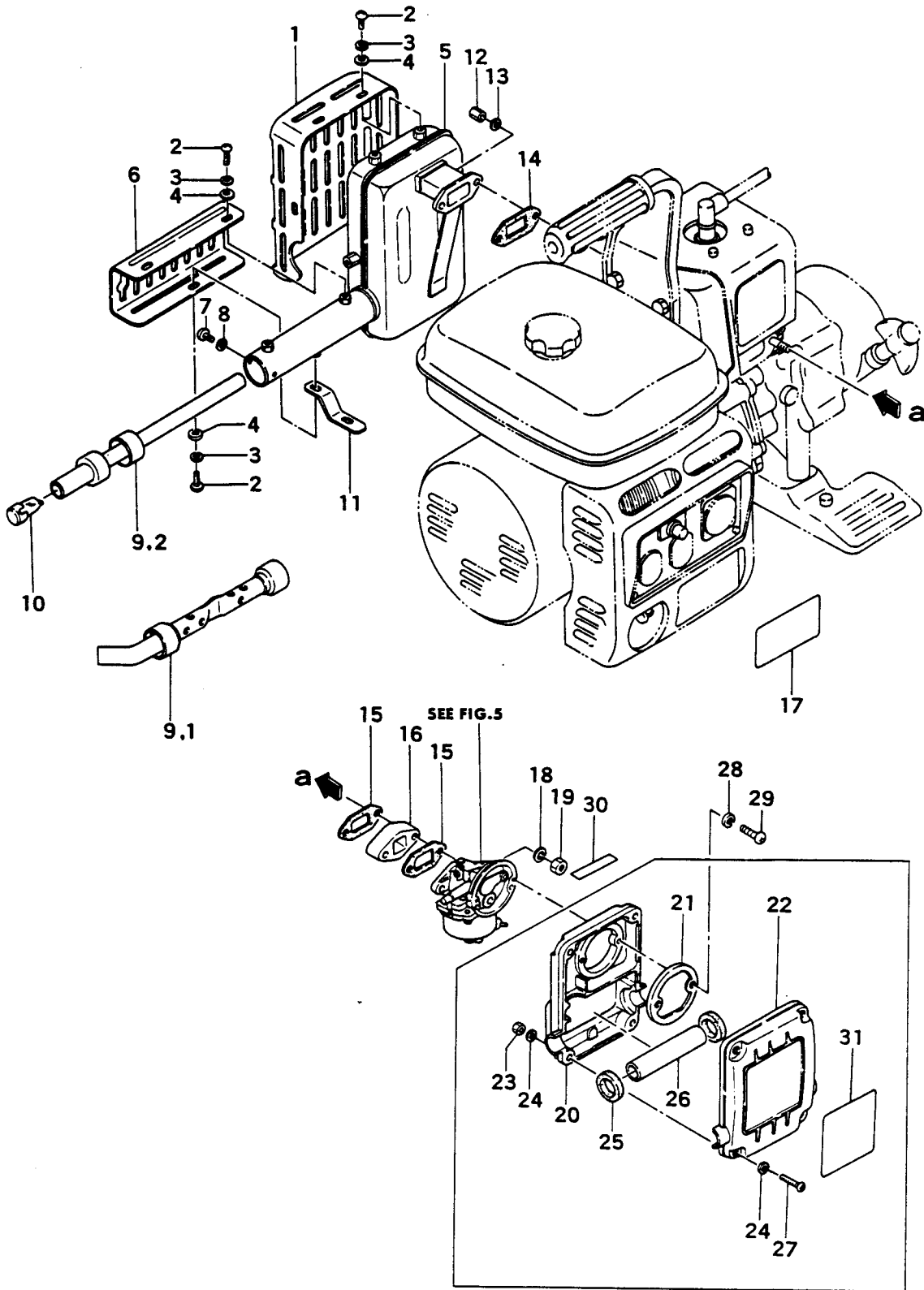
| REFERENCE NUMBER | PRODUCTION PART NUMBER | PART NAME | QUANTITY | SERIAL NUMBER | SPARE PART NUMBER |
|-------------------------------|------------------------|-----------------------|----------|---------------|-------------------|
| FIG.2 FLYWHEEL MAGNETO | | | | | |
| 2-000 | 150-20102-900 | MAGNETO ASS'Y FERRITE | 1 | | 150 0080 2 |
| 2-001 | 155-20102-800 | MAGNETO ROTOR COMP. | 1 | | 155 0370 0 |
| 2-002 | 246-20102-200 | MAGNETO CAM | 1 | | 246 0060 8 |
| 2-003 | 159-20001-900 | CONTACT BREAKER ASS'Y | 1 | | 159 0060 1 |
| 2-004 | 990-01040-101 | SCREW 4X10 | 1 | | 990 0007 9 |
| 2-005 | 992-10040-012 | S.WASHER 4 | 1 | | 992 1007 2 |
| 2-006 | 992-01040-011 | WASHER 4 | 1 | | 992 0031 0 |
| 2-007 | 177-20001-800 | CONDENSER COMP. | 1 | | 177 0030 2 |
| 2-008 | 185-20001-800 | LUBE FELT COMP. | 1 | | 185 0030 1 |
| 2-009 | 990-11040-101 | SCREW 4X10 | 1 | | 990 1029 0 |
| 2-010 | 992-01040-011 | WASHER 4 | 1 | | 992 0031 0 |
| 2-011 | 167-20102-800 | IGNITION COIL COMP. | 1 | | 167 0050 3 |
| 2-012 | 990-11040-281 | SCREW 4X28 | 2 | | 990 1052 8 |
| 2-013 | 992-10040-012 | S.WASHER 4 | 2 | | 992 1007 2 |
| 2-015 | 156-20102-900 | MAGNETO STATOR ASS'Y | 1 | | 156 0070 7 |

FIG.3 RECOIL STARTER



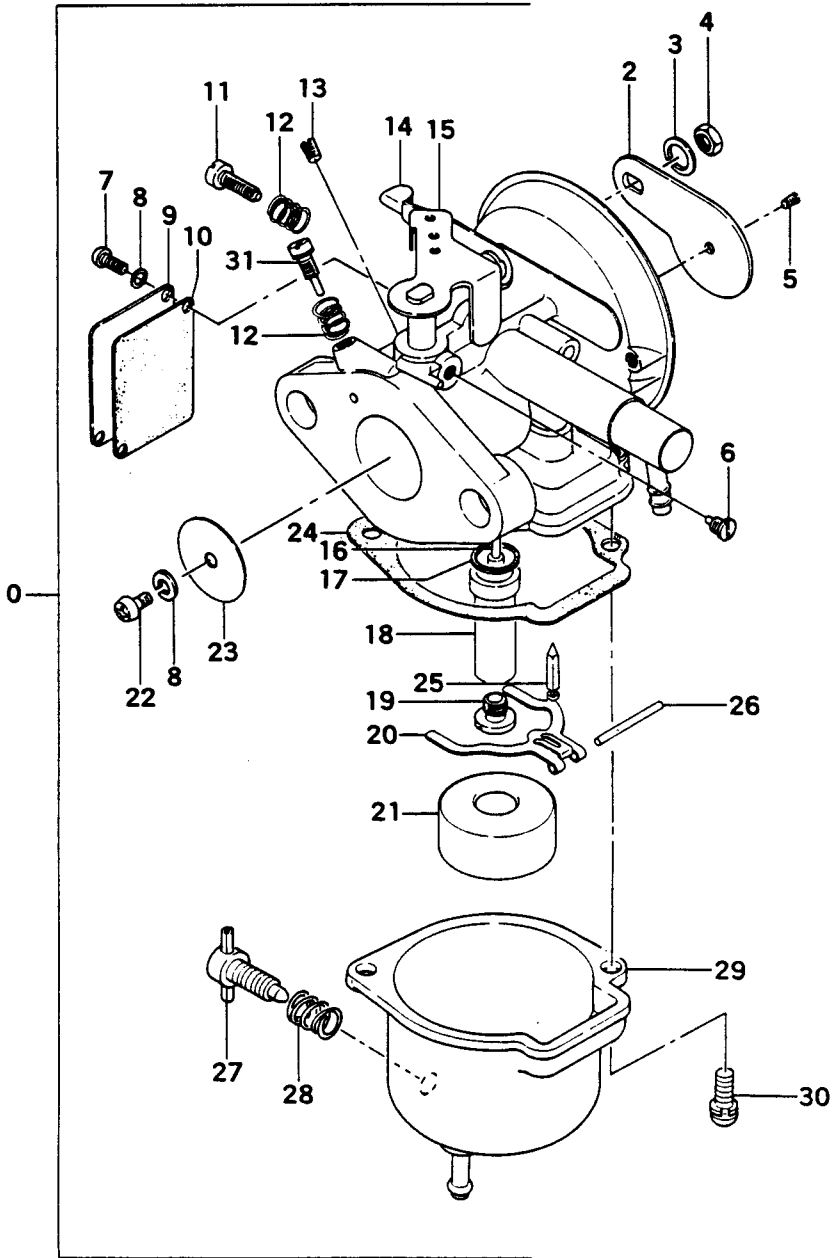
| REFERENCE NUMBER | PRODUCTION PART NUMBER | PART NAME | QUANTITY | SERIAL NUMBER | SPARE PART NUMBER |
|-----------------------------|------------------------|---------------------------|----------|---------------|-------------------|
| FIG.3 RECOIL STARTER | | | | | |
| 3-000 | 762-10108-901 | RECOIL STARTER BODY ASS'Y | 1 | 762 0100 | 2 |
| 3-001 | 772-10118-200 | RECOIL STARTER BUODY | 1 | 772 0550 | 2 |
| 3-002 | 779-02400-200 | RECOIL SPRING | 1 | 779 0070 | 0 |
| 3-003 | 827-02400-200 | RECOIL SPRING CASE | 1 | 827 0000 | 3 |
| 3-004 | 769-02400-800 | STARTER ROPE REEL | 1 | 769 0030 | 9 |
| 3-005 | 788-02400-200 | STARTER PAWL | 2 | 788 0050 | 2 |
| 3-006 | 836-02400-200 | FRICTIUN SPRING | 1 | 836 0020 | 3 |
| 3-007 | 832-02400-200 | RETURN SPRING | 1 | 832 0020 | 5 |
| 3-008 | 837-02400-200 | FRICTIUN PLATE | 1 | 837 0020 | 0 |
| 3-009 | 839-02400-200 | SET BOLT | 1 | 839 0010 | 7 |
| 3-010 | 991-41050-022 | CAP NUT 5 | 1 | 991 4000 | 9 |
| 3-011 | 783-02400-200 | ROPE | 1 | 783 0080 | 8 |
| 3-012 | 780-10118-200 | ROPE GUIDE | 1 | 780 0100 | 4 |
| 3-013 | 785-10118-200 | STARTER HANDLE | 1 | 785 0090 | 9 |
| 3-014 | 992-01040-011 | WASHER 4 | 1 | 992 0031 | 0 |
| 3-015 | 835-10118-200 | STARTER HANDLE CAP | 1 | 835 0020 | 6 |

FIG.4 MUFFLER & AIR CLEANER



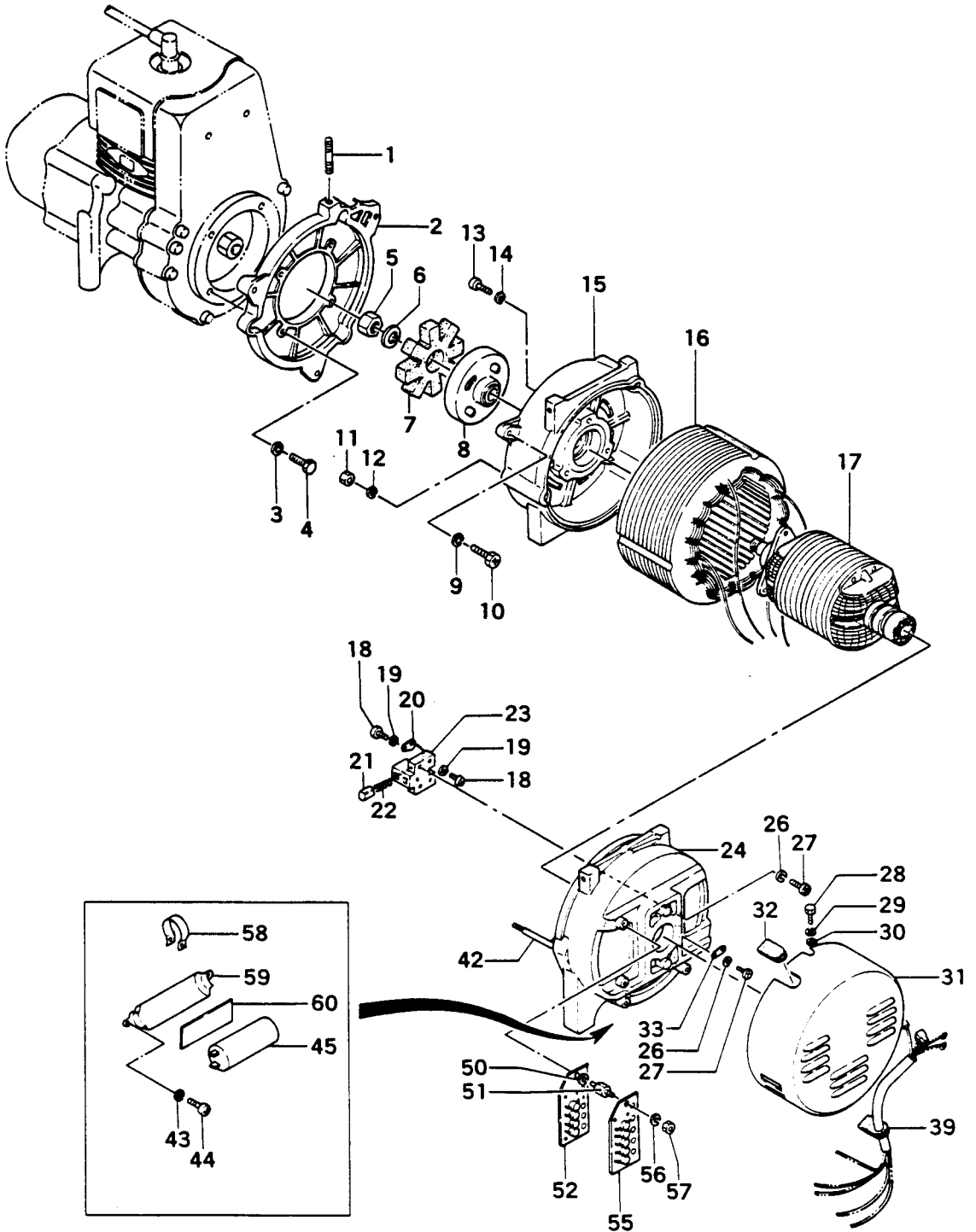
| REFERENCE NUMBER | PRODUCTION PART NUMBER | PART NAME | QUANTITY | SERIAL NUMBER | SPARE PART NUMBER |
|--|------------------------|-------------------------|----------|---------------|-------------------|
| FIG.4 MUFFLER & AIR CLEANER | | | | | |
| 4-000 | 410-10114-900 | AIR CLEANER ASS'Y | 1 | 410 0560 | 4 |
| 4-001 | 738-10114-801 | MUFFLER PROTECTOR | 1 | 738 0650 | 5 |
| 4-002 | 990-11060-081 | SCREW 6X8 | 7 | 990 1112 | 3 |
| 4-003 | 992-10060-012 | S.WASHER 6 | 7 | 992 1019 | 7 |
| 4-004 | 992-00060-011 | SMALL WASHER 6 | 7 | 992 0013 | 4 |
| 4-005 | 706-10114-802 | MUFFLER COMP. | 1 | 706 1200 | 4 |
| 4-006 | 752-10114-202 | HEAT SHIELD | 1 | 752 0030 | 7 |
| 4-007 | 990-11060-081 | SCREW 6X8 | 1 | 990 1112 | 3 |
| 4-008 | 992-10060-012 | S.WASHER 6 | 1 | 992 1019 | 7 |
| 4-009,1 | 712-30600-802 | DIFFUSER PIPE COMP. | 1 | 712 0030 | 5 |
| 4-009,2 | 712-30612-800 | DIFFUSER PIPE COMP. USA | 1 | 712 0070 | 3 |
| 4-010 | 732-00555-800 | SPARK ARRESTER COMP. | 1 | 732 0090 | 3 |
| 4-011 | 733-10114-200 | MUFFLER STAY | 1 | 733 0130 | 1 |
| 4-012 | 991-80060-121 | NUT 6 | 2 | 991 8004 | 1 |
| 4-013 | 992-10060-012 | S.WASHER 6 | 2 | 992 1019 | 7 |
| 4-014 | 737-10100-200 | MUFFLER GASKET | 1 | 737 0200 | 1 |
| 4-015 | 403-10114-202 | INLET MANIFOLD GASKET | 2 | 403 0200 | 1 |
| 4-016 | 404-10114-200 | CARBURETOR INSULATOR | 1 | 404 0210 | 5 |
| 4-017 | 904-30605-211 | NAME PLATE DEG | 1 | 904 0211 | 9 |
| 4-017 | 904-30612-200 | NAME PLATE AQUABUG | 1 | 904 0420 | 3 |
| 4-018 | 992-10050-012 | S.WASHER 5 | 2 | 992 1012 | 4 |
| 4-019 | 991-01050-011 | HEX. NUT 5 | 2 | 991 0015 | 5 |
| 4-020 | 423-10114-201 | AIR CLEANER BODY | 1 | 423 0320 | 4 |
| 4-021 | 425-03000-200 | CLEANER HOLDER A | 1 | 425 0100 | 8 |
| 4-022 | 424-10114-201 | AIR CLEANER COVER | 1 | 424 0340 | 5 |
| 4-023 | 991-01050-013 | NUT 5 | 4 | 991 0017 | 3 |
| 4-024 | 992-00050-011 | SMALL WASHER 5 | 8 | 992 0009 | 1 |
| 4-025 | 469-10114-200 | SIDE SEAL SPONGE | 2 | 469 0000 | 5 |
| 4-026 | 421-10114-200 | CLEANER ELEMENT | 1 | 421 0050 | 2 |
| 4-027 | 990-11050-121 | SCREW 5X12 | 4 | 990 1065 | 2 |
| 4-028 | 992-10040-012 | S.WASHER 4 | 2 | 992 1007 | 2 |
| 4-029 | 990-11040-161 | SCREW 4X16 | 2 | 990 1040 | 3 |
| 4-030 | 908-00803-200 | CHOKE MARK | 1 | 908 0010 | 2 |
| 4-031 | 894-30601-200 | CAUTION MARK | 1 | 894 0070 | 2 |

FIG.5 CARBURETOR



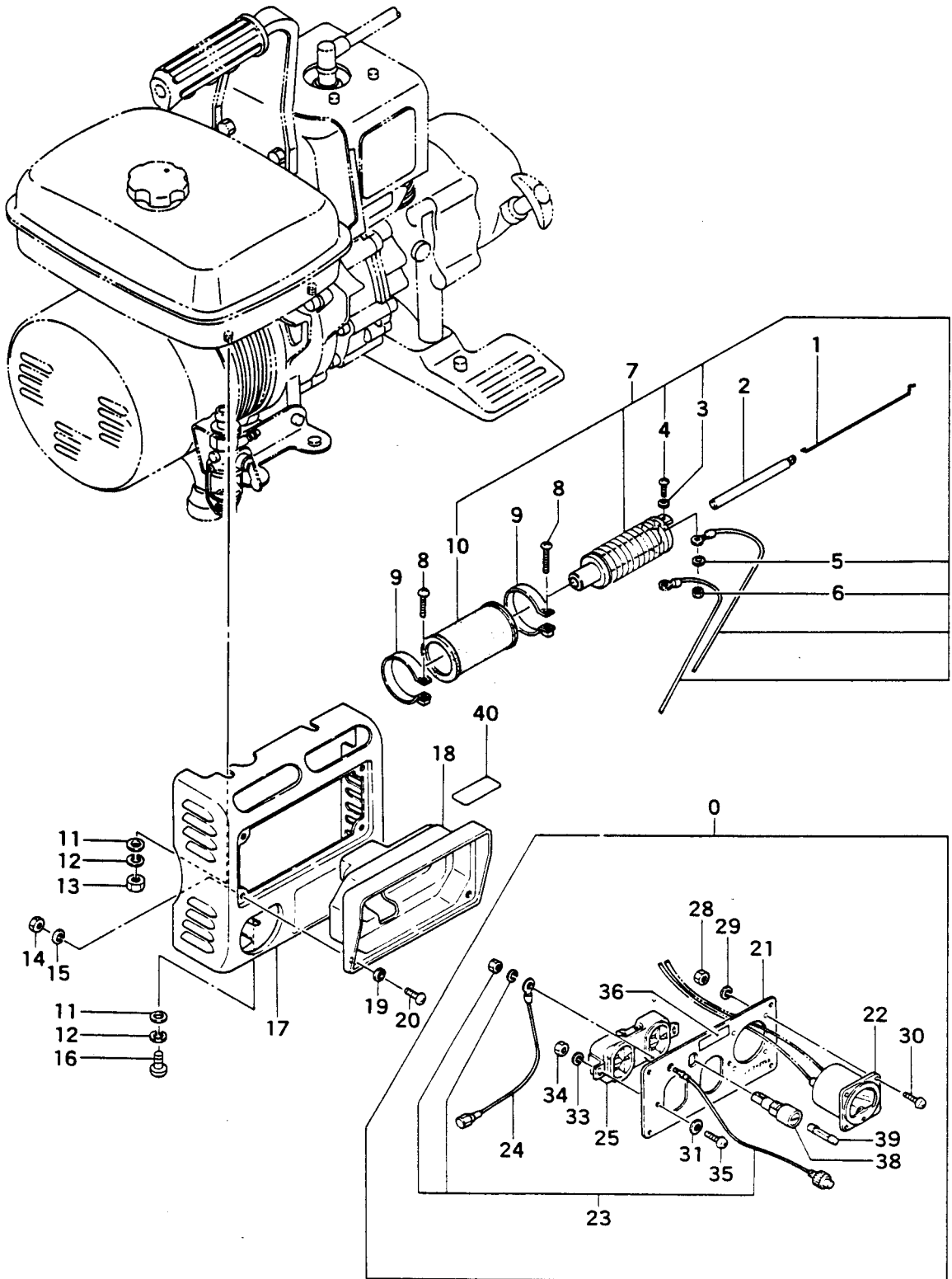
| REFERENCE NUMBER | PRODUCTION PART NUMBER | PART NAME | QUANTITY | SERIAL NUMBER | SPARE PART NUMBER |
|-------------------------|------------------------|----------------------|----------|---------------|-------------------|
| FIG.5 CARBURETOR | | | | | |
| 5-000 | 455-21100-901 | CARBURETOR ASS'Y | 1 | 455 0890 | 1 |
| 5-002 | 436-21100-800 | SHUTTER PLATE COMP. | 1 | 436 0100 | 8 |
| 5-003 | 992-10060-012 | S.WASHER 6 | 1 | 992 1019 | 7 |
| 5-004 | 991-01060-011 | HEX. NUT 6 | 1 | 991 0022 | 5 |
| 5-005 | 441-21100-200 | SLOW AIR JET | 1 | 441 0010 | 0 |
| 5-006 | 546-21100-200 | GUIDE SCREW | 1 | 546 0000 | 9 |
| 5-007 | 990-11030-061 | SCREW 3X6 | 2 | 990 1012 | 0 |
| 5-008 | 992-00030-011 | SMALL WASHER 3 | 3 | 992 0004 | 6 |
| 5-009 | 442-21100-200 | STOP PLATE | 1 | 442 0010 | 7 |
| 5-010 | 443-21100-200 | STOP PLATE GASKET | 1 | 443 0050 | 2 |
| 5-011 | 440-21100-200 | SLOW ADJUSTING SCREW | 1 | 440 0010 | 3 |
| 5-012 | 623-21100-200 | ADJUST SPRING | 2 | 623 0090 | 6 |
| 5-013 | 600-21100-200 | PILOT JET | 1 | 600 0040 | 4 |
| 5-014 | 523-21100-200 | CHOKE CONTROL LEVER | 1 | 523 0030 | 3 |
| 5-015 | 254-21100-200 | THROTTLE LEVER ASS'Y | 1 | 254 0050 | 0 |
| 5-016 | 498-21100-200 | MAIN NOZZLE | 1 | 498 0040 | 5 |
| 5-017 | 569-21100-200 | PIPE GASKET | 1 | 569 0000 | 6 |
| 5-018 | 444-21100-200 | SLOW PIPE | 1 | 444 0130 | 8 |
| 5-019 | 471-21100-200 | MAIN JET | 1 | 471 0000 | 2 |
| 5-020 | 628-21100-200 | FLOAT ARM | 1 | 628 0480 | 6 |
| 5-021 | 604-21100-200 | FLOAT | 1 | 604 0130 | 8 |
| 5-022 | 445-21100-200 | PAN HEAD SCREW | 1 | 445 0060 | 3 |
| 5-023 | 446-21100-200 | THROTTLE VALVE | 1 | 446 0110 | 8 |
| 5-024 | 607-21100-200 | FLOAT CHAMBER GASKET | 1 | 607 0340 | 2 |
| 5-025 | 603-21100-200 | NEEDLE VALVE | 1 | 603 0180 | 6 |
| 5-026 | 605-21100-200 | FLOAT PIN | 1 | 605 0100 | 4 |
| 5-027 | 627-21100-200 | DRAIN PLUG | 1 | 627 0050 | 6 |
| 5-028 | 529-21100-200 | DRAIN SPRING | 1 | 529 0020 | 8 |
| 5-029 | 606-21100-900 | FLOAT CHAMBER ASS'Y | 1 | 606 0180 | 7 |
| 5-030 | 994-34040-121 | SCREW 4X12/S | 2 | 994 3034 | 8 |
| 5-031 | 622-21100-200 | SCREW/CARBURETOR | 1 | 622 0120 | 3 |

FIG.6 GENERATOR



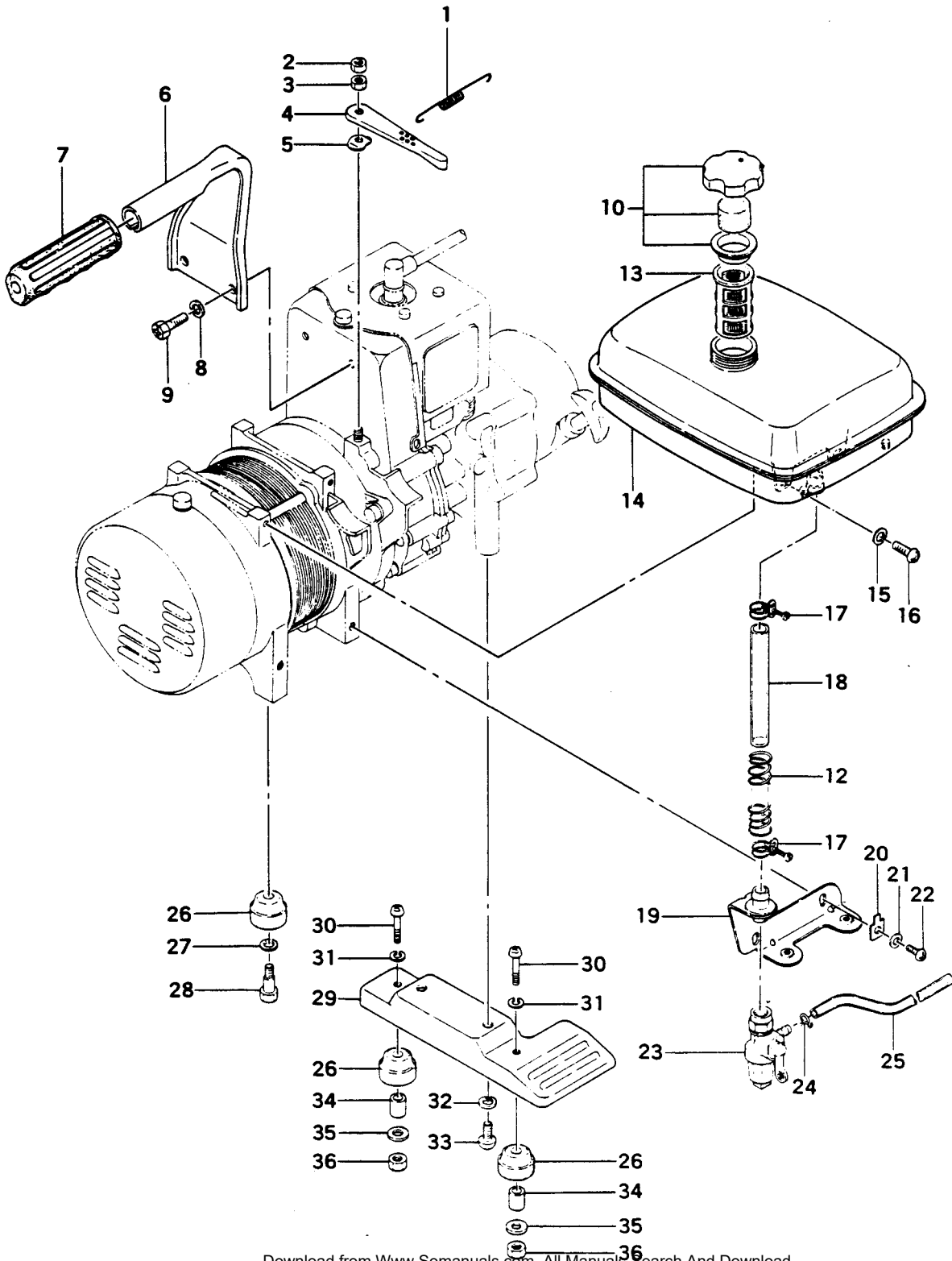
| REFERENCE NUMBER | PRODUCTION PART NUMBER | PART NAME | QUANTITY | SERIAL NUMBER | SPARE PART NUMBER |
|------------------------|------------------------|------------------------|----------|---------------|-------------------|
| FIG.6 GENERATOR | | | | | |
| 6-001 | 100-11109-200 | STUD BOLT 6X24 | 1 | 100 0190 | 7 |
| 6-002 | 113-30600-202 | HOUSING | 1 | 113 0150 | 3 |
| 6-003 | 792-10060-012 | S.WASHER 6 | 4 | 992 1019 | 7 |
| 6-004 | 990-21060-201 | BOLT 6X20 | 4 | 990 2041 | 1 |
| 6-005 | 991-01100-011 | NUT 10/L.H.THREAD | 1 | 991 0035 | 9 |
| 6-006 | 992-01100-011 | WASHER 10 | 1 | 992 0053 | 2 |
| 6-007 | 030-30200-200 | COUPLING RUBBER | 1 | 030 0010 | 6 |
| 6-008 | 028-30600-800 | COUPLING COMP. | 1 | 028 0020 | 6 |
| 6-009 | 992-10080-012 | S.WASHER 8 | 3 | 992 1026 | 7 |
| 6-010 | 990-23080-201 | PLUS BOLT 8X20 | 3 | 990 2143 | 2 |
| 6-011 | 991-01060-011 | HEX. NUT 6 | 3 | 991 0022 | 5 |
| 6-012 | 992-10060-012 | S.WASHER 6 | 3 | 992 1019 | 7 |
| 6-013 | 990-11060-251 | SCREW 6X25 | 3 | 990 1141 | 5 |
| 6-014 | 992-10060-012 | S.WASHER 6 | 3 | 992 1019 | 7 |
| 6-015 | 105-30600-801 | REAR CASE COMP. | 1 | 105 0040 | 4 |
| 6-016 | 066-30605-900 | STATOR ASS'Y 115-60 | 1 | 066 0490 | 5 |
| 6-017 | 006-30600-900 | ROTOR ASS'Y | 1 | 006 0080 | 8 |
| 6-018 | 990-11040-061 | SCREW 4X6 | 4 | 990 1025 | 4 |
| 6-019 | 992-10040-012 | S.WASHER 4 | 4 | 992 1007 | 2 |
| 6-020 | 126-30200-200 | RAG PLATE 4 | 4 | 126 0030 | 0 |
| 6-021 | 119-30400-200 | BRUSH | 2 | 119 0020 | 1 |
| 6-022 | 120-30400-200 | BRUSH SPRING | 2 | 120 0050 | 2 |
| 6-023 | 117-30400-800 | BRUSH HOLDER COMP./REG | 1 | 117 0030 | 4 |
| 6-024 | 110-30600-805 | FRONT CASE COMP. | 1 | 110 0060 | 6 |
| 6-026 | 992-10040-012 | S.WASHER 4 | 2 | 992 1007 | 2 |
| 6-027 | 990-11040-161 | SCREW 4X16 | 2 | 990 1040 | 3 |
| 6-028 | 990-21050-081 | BOLT 5X8 | 2 | 990 2012 | 9 |
| 6-029 | 992-10050-012 | S.WASHER 5 | 2 | 992 1012 | 4 |
| 6-030 | 992-00050-011 | SMALL WASHER 5 | 2 | 992 0009 | 1 |
| 6-031 | 184-30700-201 | FRONT CASE COVER | 1 | 184 0030 | 4 |
| 6-032 | 301-30600-202 | SWITCH BOARD GROMMET B | 1 | 301 0080 | 6 |
| 6-033 | 126-30200-200 | RAG PLATE 4 | 1 | 126 0030 | 0 |
| 6-039 | 300-30700-203 | SWITCH BOARD GROMMET | 1 | 300 0192 | 7 |
| 6-042 | 100-11501-200 | STUD BOLT 6X111 | 3 | 100 0200 | 7 |
| 6-043 | 992-10050-012 | S.WASHER 5 | 2 | 992 1012 | 4 |
| 6-044 | 990-11050-101 | SCREW 5X10 | 2 | 990 1062 | 5 |
| 6-045 | 128-30202-200 | CONDENSER 160,220 | 1 | 128 0070 | 2 |
| 6-050 | 992-00050-011 | SMALL WASHER 5 | 2 | 992 0009 | 1 |
| 6-051 | 134-30600-200 | STEP BOLT | 2 | 134 0080 | 4 |
| 6-052 | 132-30600-820 | R DIODE,B | 1 | 132 0362 | 3 |
| 6-055 | 121-30600-820 | R DIODE,A | 1 | 121 0022 | 6 |
| 6-056 | 992-00050-011 | SMALL WASHER 5 | 2 | 992 0009 | 1 |
| 6-057 | 991-01050-011 | HEX. NUT 5 | 2 | 991 0015 | 5 |
| 6-058 | 114-30700-200 | CONDENSER HOLDER A | 1 | 114 0030 | 3 |
| 6-059 | 115-30700-200 | CONDENSER HOLDER | 1 | 115 0050 | 4 |
| 6-060 | 112-30700-200 | CONDENSER GASKET B | 1 | 112 1330 | 7 |

FIG.7 SWITCH BOARD



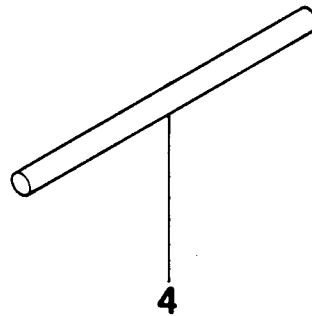
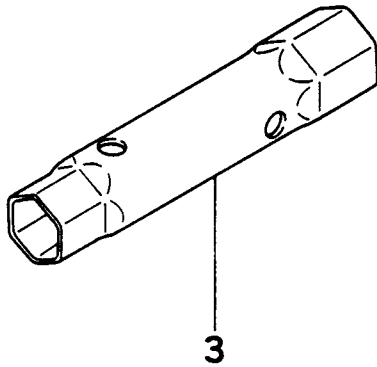
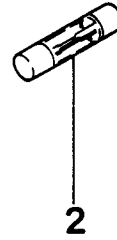
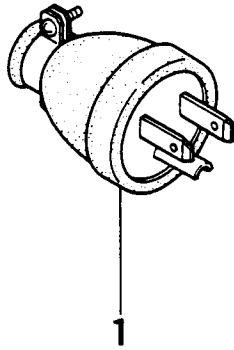
| REFERENCE NUMBER | PRODUCTION PART NUMBER | PART NAME | QUANTITY | SERIAL NUMBER | SPARE PART NUMBER |
|---------------------------|------------------------|------------------------------|----------|---------------|-------------------|
| FIG.7 SWITCH BOARD | | | | | |
| 7-000 | 185-30604-920 | SWITCH BOARD ASS'Y 115-50,60 | 1 | | 185 0211 2 |
| 7-001 | 395-30600-202 | GOVERNOR ROD | 1 | | 395 0070 4 |
| 7-002 | 266-30700-201 | GOVERNOR PLUNGER | 1 | | 266 0020 6 |
| 7-003 | 992-00030-011 | SMALL WASHER 3 | 2 | | 992 0004 6 |
| 7-004 | 990-11030-081 | SCREW 3X8 | 2 | | 990 1014 8 |
| 7-005 | 992-10030-012 | S.WASHER 3 | 2 | | 992 1002 7 |
| 7-006 | 991-01030-011 | HEX. NUT 3 | 2 | | 991 0007 6 |
| 7-007 | 405-30800-900 | GOVERNOR ASS'Y | 1 | | 405 0060 1 |
| 7-008 | 990-11040-301 | SCREW 4X30 | 2 | | 990 1054 6 |
| 7-009 | 268-30600-800 | GOVERNOR BAND COMP. | 2 | | 268 0050 1 |
| 7-010 | 368-30600-202 | GOVERNOR COVER RUBBER | 1 | | 368 0030 8 |
| 7-011 | 992-01060-011 | WASHER 6 | 4 | | 992 0040 8 |
| 7-012 | 992-10060-012 | S.WASHER 6 | 4 | | 992 1019 7 |
| 7-013 | 991-01060-011 | HEX. NUT 6 | 2 | | 991 0022 5 |
| 7-014 | 991-01050-011 | HEX. NUT 5 | 4 | | 991 0015 5 |
| 7-015 | 992-10050-012 | S.WASHER 5 | 4 | | 992 1012 4 |
| 7-016 | 990-11060-101 | SCREW 6X10 | 2 | | 990 1116 9 |
| 7-017 | 184-30600-806 | SWITCH BOARD COVER COMP. | 1 | | 184 0020 7 |
| 7-018 | 169-30600-203 | SWITCH BOARD COVER | 1 | | 169 0010 9 |
| 7-019 | 992-00050-011 | SMALL WASHER 5 | 4 | | 992 0009 1 |
| 7-020 | 990-11050-081 | SCREW 5X8 | 4 | | 990 1060 7 |
| 7-021 | 183-30602-203 | SWITCH BOARD | 1 | | 183 0040 4 |
| 7-022 | 189-30402-920 | VOLTMETER ASS'Y 115-50,60 | 1 | | 189 0021 1 |
| 7-023 | 170-10114-800 | STOP BUTTON COMP. | 1 | | 170 0190 8 |
| 7-024 | 207-30600-800 | GROUND TERMINAL COMP. | 1 | | 207 0010 8 |
| 7-025 | 178-30700-901 | AC RECEPTACLE ASS'Y | 1 | | 178 0610 3 |
| 7-028 | 991-01030-011 | HEX. NUT 3 | 4 | | 991 0007 6 |
| 7-029 | 992-10030-012 | S.WASHER 3 | 4 | | 992 1002 7 |
| 7-030 | 990-11030-101 | SCREW 3X10 | 4 | | 990 1016 6 |
| 7-031 | 992-00040-011 | SMALL WASHER 4 | 2 | | 992 0008 2 |
| 7-033 | 992-10040-012 | S.WASHER 4 | 2 | | 992 1007 2 |
| 7-034 | 991-01040-011 | HEX. NUT 4 | 2 | | 991 0011 9 |
| 7-035 | 990-11040-081 | SCREW 4X8 | 2 | | 990 1026 3 |
| 7-036 | 899-30604-200 | MARK/FUSE/5A | 1 | | 899 0040 6 |
| 7-038 | 188-30410-900 | FUSE HOLDER | 1 | | 188 0060 3 |
| 7-039 | 190-30604-200 | FUSE/5A | 1 | | 190 0060 0 |
| 7-040 | 910-30600-200 | LEVER MARK | 1 | | 910 0050 7 |

FIG.8 FUEL TANK, HANDLE, etc.



| REFERENCE NUMBER | PRODUCTION PART NUMBER | PART NAME | QUANTITY | SERIAL NUMBER | SPARE PART NUMBER |
|--------------------------------------|------------------------|---------------------|----------|---------------|-------------------|
| FIG.8 FUEL TANK, HANDLE, etc. | | | | | |
| 8-001 | 397-30600-201 | GOVERNOR SPRING A | 1 | | 397 0081 4 |
| 8-002 | 991-01060-013 | NUT 6 | 1 | | 991 0024 3 |
| 8-003 | 991-01060-011 | HEX. NUT 6 | 1 | | 991 0022 5 |
| 8-004 | 384-30600-202 | CONTROL LEVER | 1 | | 384 0040 3 |
| 8-005 | 852-10107-200 | WAVE WASHER | 1 | | 852 0000 7 |
| 8-006 | 258-30600-207 | HANDLE | 1 | | 258 0061 4 |
| 8-007 | 266-30600-201 | HANDLE GRIP | 1 | | 266 0010 9 |
| 8-008 | 992-10080-012 | S.WASHER 8 | 2 | | 992 1026 7 |
| 8-009 | 990-23080-161 | PLUS BOLT 8X16 | 2 | | 990 2142 3 |
| 8-010 | 595-11109-900 | TANK CAP ASS'Y | 1 | | 595 0600 5 |
| 8-012 | 702-30600-200 | PROTECTION COIL | 1 | | 702 0100 4 |
| 8-013 | 604-11109-801 | TANK FILTER COMP. | 1 | | 604 0010 1 |
| 8-014 | 591-10114-804 | TANK COMP. | 1 | | 591 0530 5 |
| 8-015 | 992-10060-012 | S.WASHER 6 | 4 | | 992 1019 7 |
| 8-016 | 990-11060-121 | SCREW 6X12 | 4 | | 990 1119 6 |
| 8-017 | 680-10114-203 | CLIP 13 | 2 | | 680 0200 6 |
| 8-018 | 699-10114-201 | FUEL PIPE A | 1 | | 699 0110 6 |
| 8-019 | 711-10114-802 | PET-COCK STAY COMP. | 1 | | 711 0000 7 |
| 8-020 | 208-30600-200 | TAB | 1 | | 208 0010 5 |
| 8-021 | 992-10060-012 | S.WASHER 6 | 2 | | 992 1019 7 |
| 8-022 | 990-11060-101 | SCREW 6X10 | 2 | | 990 1116 9 |
| 8-023 | 592-03112-900 | PET-COCK ASS'Y | 1 | | 592 0130 0 |
| 8-024 | 680-01004-200 | CLIP 8 | 1 | | 680 0110 0 |
| 8-025 | 700-05008-300 | FUEL PIPE 5X8X300 | 1 | | 700 1200 2 |
| 8-026 | 312-30200-200 | RUBBER BASE | 4 | | 312 0020 4 |
| 8-027 | 992-01100-011 | WASHER 10 | 2 | | 992 0053 2 |
| 8-028 | 314-30600-200 | STEP BOLT 8 | 2 | | 318 0080 8 |
| 8-029 | 317-30600-202 | BASE | 1 | | 317 0060 7 |
| 8-030 | 990-11060-251 | SCREW 6X25 | 2 | | 990 1141 5 |
| 8-031 | 992-10060-012 | S.WASHER 6 | 2 | | 992 1019 7 |
| 8-032 | 992-10080-012 | S.WASHER 8 | 2 | | 992 1026 7 |
| 8-033 | 990-11080-121 | SCREW 8X12 | 2 | | 990 1168 2 |
| 8-034 | 321-30410-200 | COLLAR | 2 | | 321 0000 6 |
| 8-035 | 359-02103-200 | CLUTCH WASHER B | 2 | | 359 0010 8 |
| 8-036 | 991-01060-011 | HEX. NUT 6 | 2 | | 991 0022 5 |

FIG.9 TOOLS & OPTIONAL PARTS



| REFERENCE NUMBER | PRODUCTION PART NUMBER | PART NAME | QUANTITY | SERIAL NUMBER | SPARE PART NUMBER |
|---|------------------------|-------------------|----------|---------------|-------------------|
| FIG.9 TOOLS & OPTIONAL PARTS | | | | | |
| 9-001 | 925-30204-800 | PLUG COMP. | 1 | 925 0020 4 | |
| 9-002 | 190-30604-200 | FUSE/5A | 2 | 190 0060 0 | |
| 9-003 | 823-20000-201 | BOX SPANNER 17X21 | 1 | 823 0020 9 | |
| 9-004 | 951-20000-200 | HANDLE 8X120 | 1 | 951 0010 8 | |

Free Manuals Download Website

<http://myh66.com>

<http://usermanuals.us>

<http://www.somanuals.com>

<http://www.4manuals.cc>

<http://www.manual-lib.com>

<http://www.404manual.com>

<http://www.luxmanual.com>

<http://aubethermostatmanual.com>

Golf course search by state

<http://golfingnear.com>

Email search by domain

<http://emailbydomain.com>

Auto manuals search

<http://auto.somanuals.com>

TV manuals search

<http://tv.somanuals.com>