

Tanaka

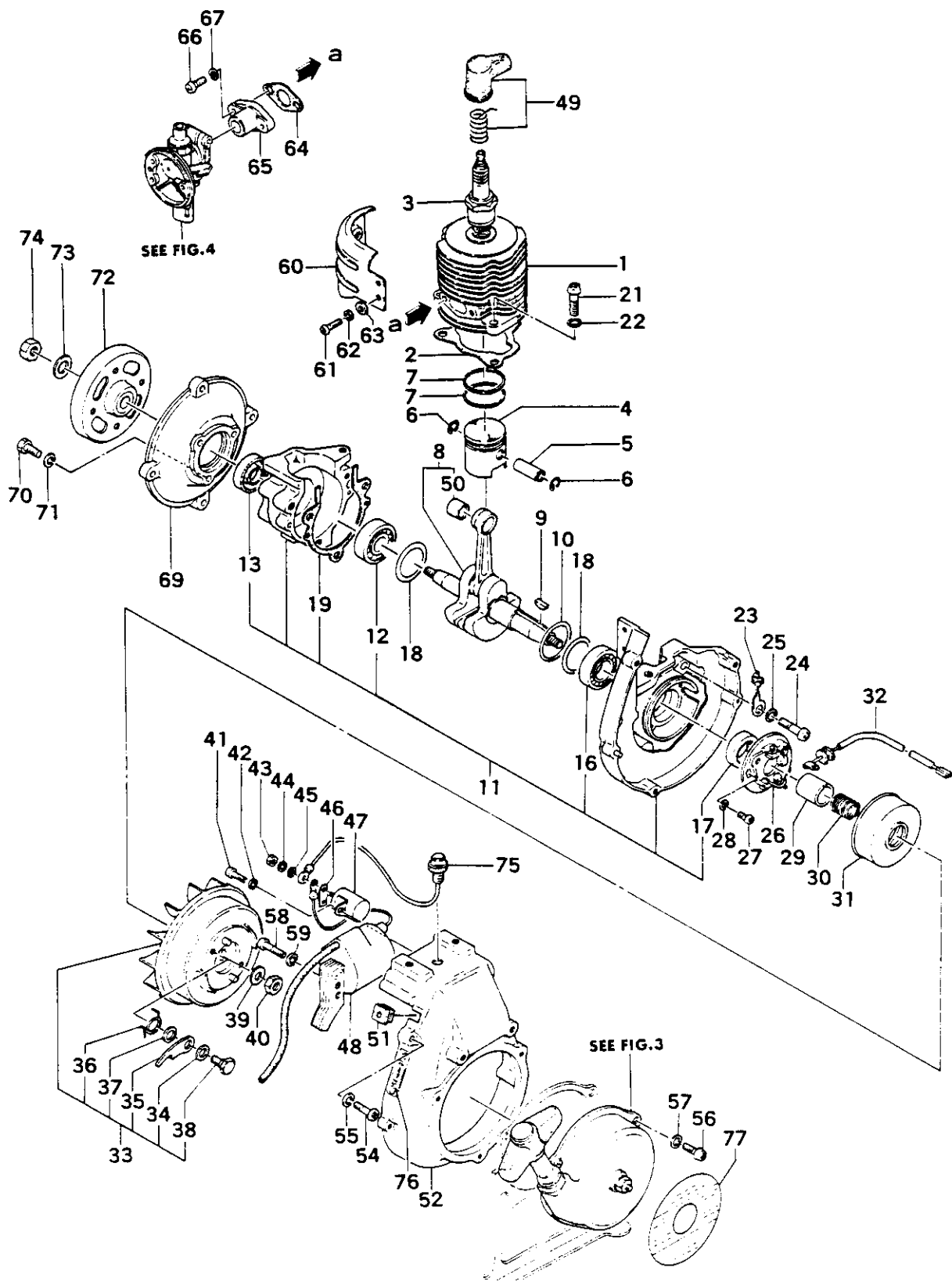
Parts Catalog

Portable Generator

Model: QEG-250/300

3/21/93

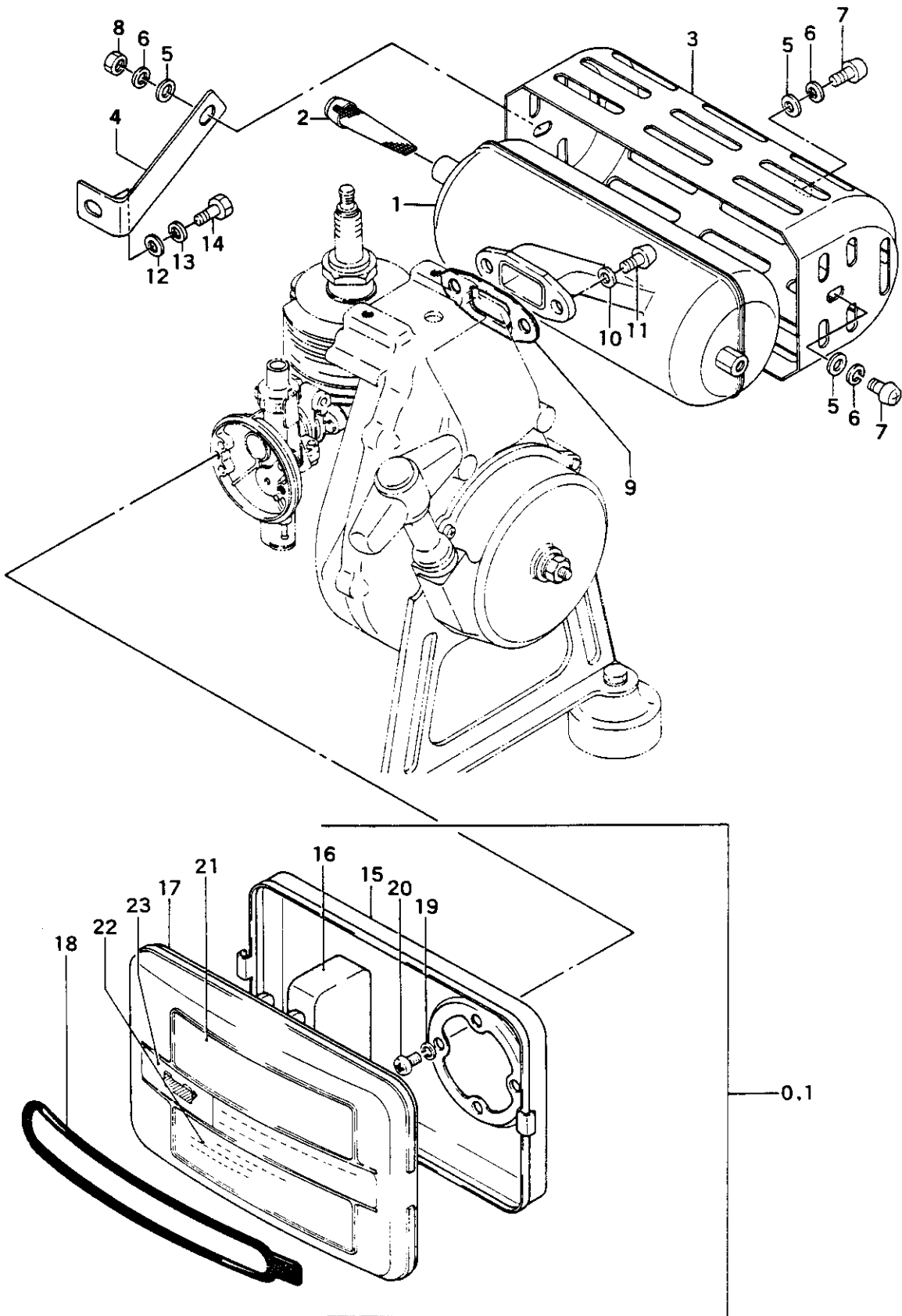
FIG. 1 ENGINE



REFERENCE NUMBER	PRODUCTION PART NUMBER	PART NAME	QUANTITY	SERIAL NUMBER	SPARE PART NUMBER
FIG.1 ENGINE					
1-001	002-00500-804	CYLINDER COMP.	1	002 0010	1
1-002	017-00501-202	CYLINDER GASKET	1	017 0010	9
1-003	018-00502-200	SPARK PLUG BM6A	1	018 0030	0
1-004	031-00500-200	PISTON	1	031 0010	3
1-005	037-00000-200	PISTON PIN 9X24	1	037 0000	8
1-006	039-00000-201	PISTON PIN CIRCLIP	2	039 0000	2
1-007	041-00000-200	PISTON RING	2	041 0000	9
1-008	046-00501-803	CRANK SHAFT COMP.	1	046 0020	8
1-009	068-02000-200	WOOD-RUFF KEY 3X13X5	1	068 0040	2
1-010	070-02401-201	CRANK SHAFT WASHER 15X22	1	070 0020	5
1-011	072-00501-900	CRANK CASE ASS'Y	1	072 0210	8
1-012	999-61620-100	BALL BEARING #6201	1	999 6133	4
1-013	999-66122-821	OIL SEAL 12287	1	999 6615	3
1-016	999-61600-200	BALL BEARING #6002	1	999 6111	2
1-017	999-66152-500	OIL SEAL 15257	1	999 6622	3
1-018	070-00601-201	CRANK SHAFT WASHER 12X18	2	070 0000	1
1-019	090-00501-202	CRANK CASE GASKET	1	090 0010	4
1-021	990-11060-201	SCREW 6X20	3	990 1133	6
1-022	992-10060-012	S.WASHER 6	3	992 1019	7
1-023	198-00501-200	CORD CLAMP	1	198 0010	1
1-024	990-11060-221	SCREW 6X22	3	990 1136	3
1-025	992-10060-012	S.WASHER 6	3	992 1019	7
1-026	159-20702-900	CONTACT BREAKER ASS'Y	1	159 0160	4
1-027	990-11040-101	SCREW 4X10	2	990 1029	0
1-028	992-01040-011	WASHER 4	2	992 0031	0
1-029	246-20701-201	MAGNETO CAM	1	246 0081	1
1-030	247-01000-201	CAM SUPPORT SPRING	1	247 0001	2
1-031	191-00501-201	CONTACT POINT COVER	1	191 0010	2
1-032	173-20702-804	PRIMARY CORD COMP.	1	173 0230	0
1-033	155-21708-900	MAGNETO ROTOR ASS'Y	1	155 0990	1
1-034	992-01050-011	WASHER 5	2	992 0035	6
1-035	788-00601-203	STARTER PAWL	2	788 0010	4
1-036	790-00601-203	STARTER PAWL SPRING	2	790 0011	0
1-037	822-00601-200	STARTER PAWL SHIM 0.6T	2	822 0000	8
1-038	793-10200-201	STEP BOLT	2	793 0030	6
1-039	065-00000-200	FLYWHEEL WASHER	1	065 0000	3
1-040	066-00000-200	FLYWHEEL NUT 12	1	066 0000	0
1-041	990-11040-081	SCREW 4X8	1	990 1026	3
1-042	992-10040-012	S.WASHER 4	1	992 1007	2
1-043	991-01030-011	HEX. NUT 3	1	991 0007	6
1-044	992-10030-012	S.WASHER 3	1	992 1002	7
1-045	992-01030-011	WASHER 3	1	992 0028	6
1-046	205-00501-200	TERMINAL TAB	1	205 0000	7
1-047	177-20701-801	CONDENSER COMP.	1	177 0131	4
1-048	167-20710-801	IGNITION COIL COMP.	1	167 0160	3
1-049	157-04000-900	SPARK PLUG CAP ASS'Y	1	157 0050	0
1-050	038-00000-200	PISTON PIN BUSHING	1	038 0000	5
1-051	202-10200-201	SECONDARY CORD GROMMET	1	202 0100	9
1-052	112-00535-801	FAN CASE COMP.	1	112 0240	2
1-054	990-11050-201	SCREW 5X20	3	990 1077	7
1-055	992-10050-012	S.WASHER 5	3	992 1012	4
1-056	990-11040-121	SCREW 4X12	3	990 1033	3
1-057	992-10040-012	S.WASHER 4	3	992 1007	2
1-058	990-11050-201	SCREW 5X20	2	990 1077	7

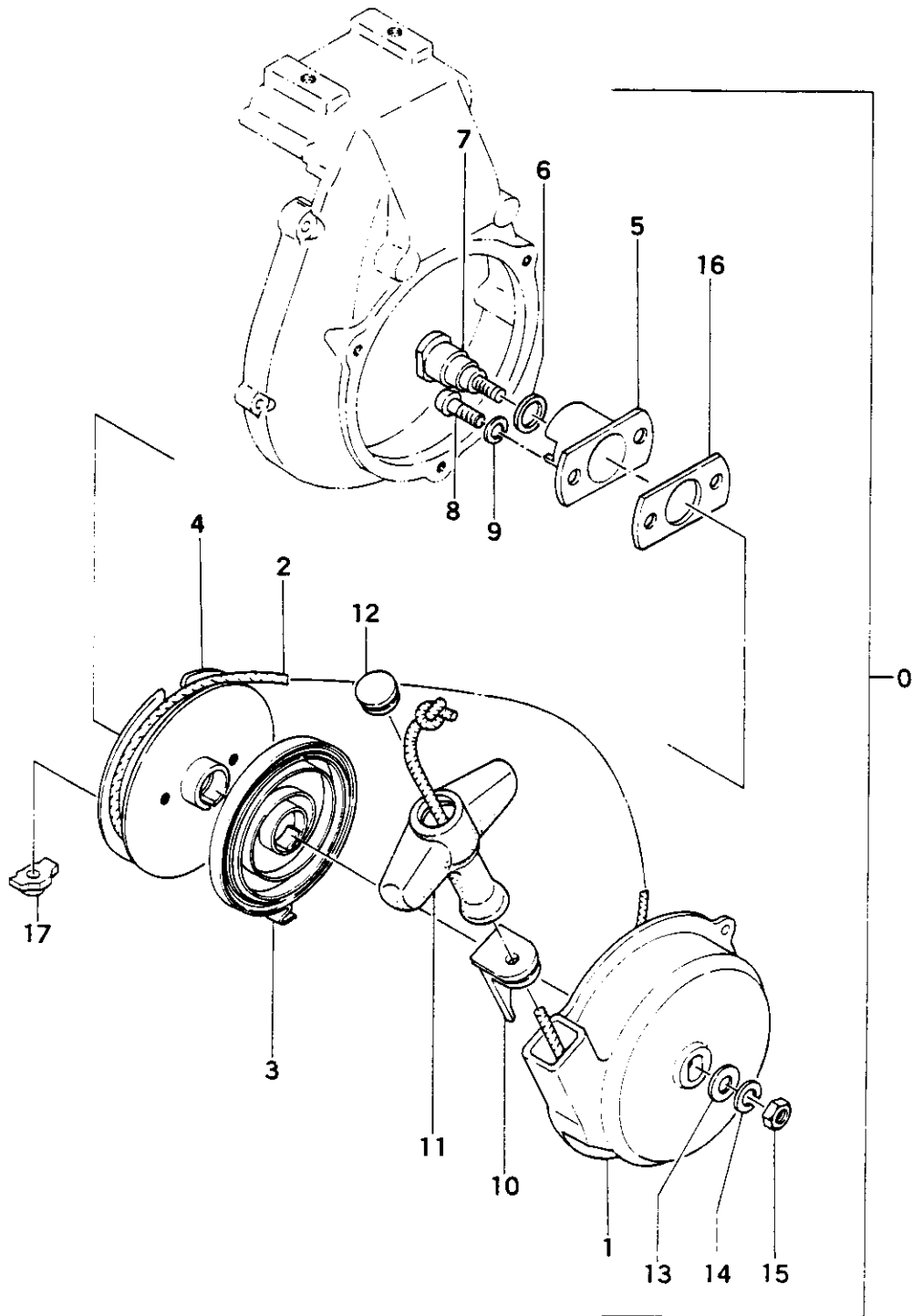
REFERENCE NUMBER	PRODUCTION PART NUMBER	PART NAME	QUANTITY	SERIAL NUMBER	SPARE PART NUMBER
FIG.1 ENGINE					
1-059	992-10050-012	S.WASHER 5	2		992 1012 4
1-060	132-00502-201	FLASH PAN	1		132 0000 4
1-061	990-11040-081	SCREW 4X8	3		990 1026 3
1-062	992-10040-012	S.WASHER 4	3		992 1007 2
1-063	992-01040-011	WASHER 4	3		992 0031 0
1-064	403-00001-200	INLET MANIFOLD GASKET	1		403 0010 2
1-065	393-00005-203	INLET MANIFOLD	1		393 0011 7
1-066	990-11050-161	SCREW 5X16	2		990 1070 4
1-067	992-10050-012	S.WASHER 5	2		992 1012 4
1-069	113-30200-200	HOUSING	1		113 0140 6
1-070	990-21060-181	BOLT 6X18	3		990 2039 6
1-071	992-10060-012	S.WASHER 6	3		992 1019 7
1-072	028-30800-200	COUPLING	1		028 0040 0
1-073	992-01070-011	WASHER 7	1		992 0045 3
1-074	991-01070-011	NUT 7	1		991 0026 1
1-075	170-00503-800	STOP BUTTON COMP.	1		170 0000 2
1-076	908-02005-200	CHOKE MARK	1		908 0030 6
1-077	913-00501-200	STARTER MARK QEG	1		913 0040 1
1-077	913-30907-201	STARTER MARK AQUABUG	1		913 0120 0

FIG.2 AIR CLEANER & MUFFLER



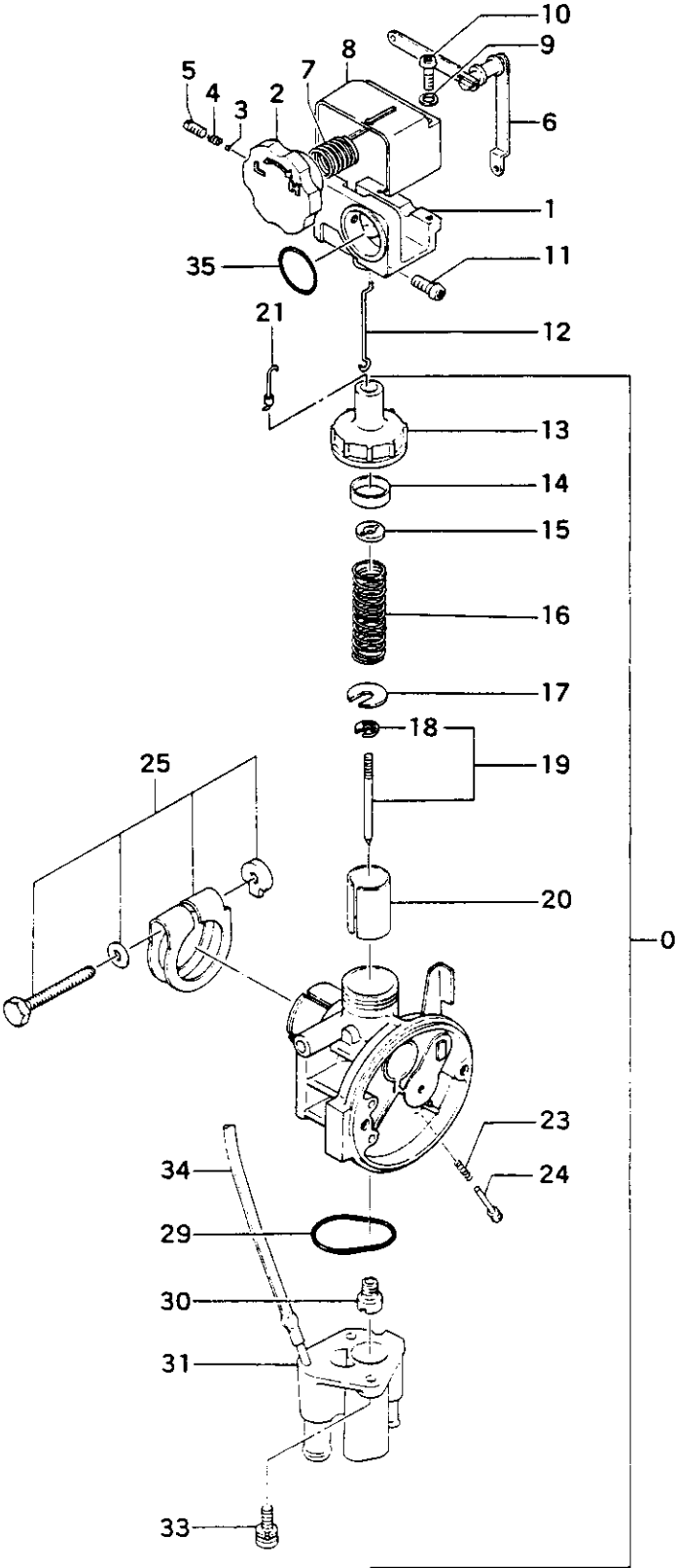
REFERENCE NUMBER	PRODUCTION PART NUMBER	PART NAME	QUANTITY	SERIAL NUMBER	SPARE PART NUMBER
FIG.2 AIR CLEANER & MUFFLER					
2-001	706-30807-810	MUFFLER COMP.	1	706 2010	4
2-002	732-00555-800	SPARK ARRESTER COMP.	1	732 0090	3
2-003	738-30807-210	HEAT SHIELD	1	738 1150	9
2-004	760-30807-210	MUFFLER STAY	1	760 0230	2
2-005	992-01060-011	WASHER 6	3	992 0040	8
2-006	992-10060-012	S.WASHER 6	3	992 1019	7
2-007	990-11060-061	SCREW 6X6	2	990 1111	4
2-008	991-01060-011	HEX. NUT 6	1	991 0022	5
2-009	737-00531-201	MUFFLER GASKET	1	737 0031	5
2-010	992-10050-012	S.WASHER 5	2	992 1012	4
2-011	990-11050-121	SCREW 5X12	2	990 1065	2
2-012	992-01060-011	WASHER 6	1	992 0040	8
2-013	992-10060-012	S.WASHER 6	1	992 1019	7
2-014	990-23060-151	BOLT 6X15 W/PLUS	1	990 2131	7
2-000,1	424-30800-900	AIR CLEANER ASS'Y	1	424 0460	2
2-015	423-00535-802	AIR CLEANER BODY COMP.	1	423 0040	9
2-016	444-00535-200	AIR CLEANER ELEMENT A	1	444 0010	1
2-017	424-00535-201	AIR CLEANER COVER	1	424 0071	6
2-018	438-30800-200	CLEANER BAND	1	438 0C20	3
2-019	992-10040-012	S.WASHER 4	2	992 1007	2
2-020	990-11040-081	SCREW 4X8	2	990 1026	3
2-021	904-30809-200	NAME PLATE QEG-250	1	904 0320	0
2-021	904-30800-230	NAME PLATE QEG-300	1	904 0301	5
2-021	904-30810-200	NAME PLATE AQB-250	1	904 0330	7
2-021	904-30907-200	NAME PLATE AQB-300	1	904 0340	4
2-022	894-30803-200	CAUTION MARK QEG	1	894 0090	6
2-022	874-30907-200	CAUTION MARK AQUABUG	1	874 0100	6
2-023	900-30804-200	FUEL CAUTION MARK QEG	1	900 0030	0
2-023	900-30907-200	FUEL CAUTION MARK AQUABUG	1	900 0040	7

FIG.3 RECOIL STARTER



REFERENCE NUMBER	PRODUCTION PART NUMBER	PART NAME	QUANTITY	SERIAL NUMBER	SPARE PART NUMBER
FIG.3 RECOIL STARTER					
3-000	756-00535-902	RECOIL STARTER ASS'Y	1	756 0050 9	
3-001	772-01014-200	RECOIL STARTER BODY	1	772 0250 3	
3-002	783-01006-201	STARTER ROPE	1	783 0030 3	
3-003	779-01006-201	RECOIL SPRING	1	779 0030 2	
3-004	774-01006-204	STARTER ROPE REEL	1	774 0051 0	
3-005	773-01006-206	PULLEY SHAFT/OUTER	1	773 0020 3	
3-006	814-00500-200	STARTER PULLEY SHIM	1	814 0000 9	
3-007	776-01006-207	PULLEY SHAFT	1	776 0010 7	
3-008	990-11050-121	SCREW 5X12	2	990 1065 2	
3-009	992-10050-012	S.WASHER 5	2	992 1012 4	
3-010	780-01006-201	ROPE GUIDE	1	780 0020 5	
3-011	785-10207-201	STARTER HANDLE	1	785 0100 9	
3-012	833-10207-200	STARTER HANDLE CAP	1	833 0000 8	
3-013	992-01060-011	WASHER 6	1	992 0040 8	
3-014	992-10060-012	S.WASHER 6	1	992 1019 7	
3-015	991-01060-011	HEX. NUT 6	1	991 0022 5	
3-016	823-00535-202	PULLEY SHAFT/OUTER COLLAR	1	823 0010 2	
3-017	782-00546-200	ROPE RECEIVE	1	782 0000 5	

FIG.4 CARBURETOR & GOVERNOR LINK



REFERENCE NUMBER	PRODUCTION PART NUMBER	PART NAME	QUANTITY	SERIAL NUMBER	SPARE PART NUMBER
FIG.4 CARBURETOR & GOVERNOR LINK					
4-000	455-22014-900	CARBURETOR ASS'Y QEG/AQB-250	1	455 1120 0	
4-000	455-22007-905	CARBURETOR ASS'Y QEG/AQB-300	1	455 1060 5	
4-001	340-30800-201	GOVERNOR CONTROL KNOB BASE	1	340 0010 2	
4-002	341-30800-201	GOVERNOR CONTROL KNOB	1	341 0030 3	
4-003	673-01100-200	STEEL BALL 1/8	1	673 0010 5	
4-004	496-26000-200	CHOKE SPRING	1	496 0020 7	
4-005	990-80040-100	SET SCREW	1	990 8000 8	
4-006	348-30800-800	LINK SHAFT COMP.	1	348 0040 9	
4-007	397-30800-201	GOVERNOR SPRING A	1	397 0090 2	
4-008	343-30800-200	CONTROL KNOB BASE COVER	1	343 0020 0	
4-009	992-00030-011	SMALL WASHER 3	2	992 0004 6	
4-010	990-11030-121	SCREW 3X12	2	990 1017 5	
4-011	990-11040-081	SCREW 4X8	1	990 1026 3	
4-012	516-22007-200	THROTTLE ROD B	1	516 0010 7	
4-013	498-30800-200	LINK MOTION CAP	1	498 0090 0	
4-014	526-22007-200	COLLAR	1	526 0040 1	
4-015	535-22007-200	THROTTLE SPRING CLAMP	1	535 0010 6	
4-016	486-22007-200	THROTTLE SPRING	1	486 0020 4	
4-017	619-22912-200	THROTTLE SPRING RECEIVER 250	1	619 0260 0	
4-017	619-22602-200	THROTTLE SPRING RECEIVER 300	1	619 0170 4	
4-018	593-22909-200	JET NEEDLE CLIP QEG/AQB-250	1	593 0260 1	
4-018	593-22904-200	JET NEEDLE CLIP QEG/AQB-300	1	593 0250 4	
4-019	592-22000-900	JET NEEDLE ASS'Y QEG/AQB-250	1	592 1121 1	
4-019	592-22303-900	JET NEEDLE ASS'Y QEG/AQB-300	1	592 1310 1	
4-020	591-22005-200	THROTTLE VALVE	1	591 1060 0	
4-021	515-22007-800	THROTTLE ROD A COMP.	1	515 0020 7	
4-023	623-22000-200	ADJUST SPRING	1	623 0110 3	
4-024	622-22000-200	ADJUST SCREW	1	622 0130 0	
4-025	561-22602-900	BODY BAND ASS'Y	1	561 0150 8	
4-029	607-22000-200	CHAMBER GASKET	1	607 0370 3	
4-030	599-22000-260	MAIN JET	1	599 0334 1	
4-031	580-22007-800	FLOAT CHAMBER COMP.	1	580 0050 4	
4-033	994-34040-100	SCREW 4X10/S	2	994 3031 1	
4-034	565-00535-200	AIR VENT PIPE	1	565 0000 8	
4-035	999-67015-000	O-RING P15	1	999 6717 4	

FIG.5 ELECTRO-MAGNETIC GOVERNOR

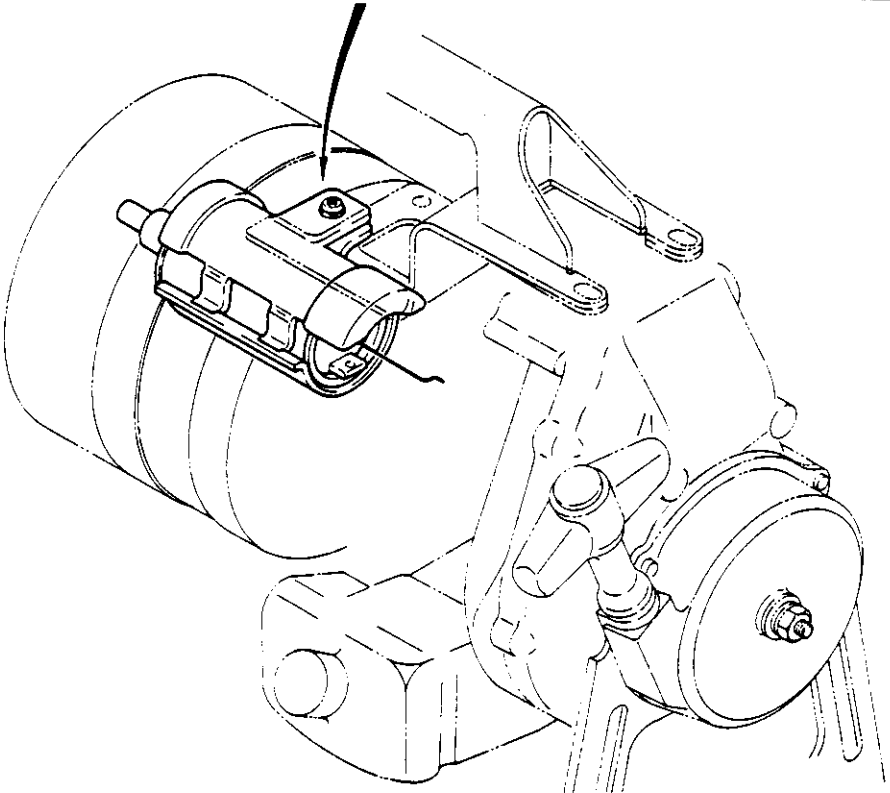
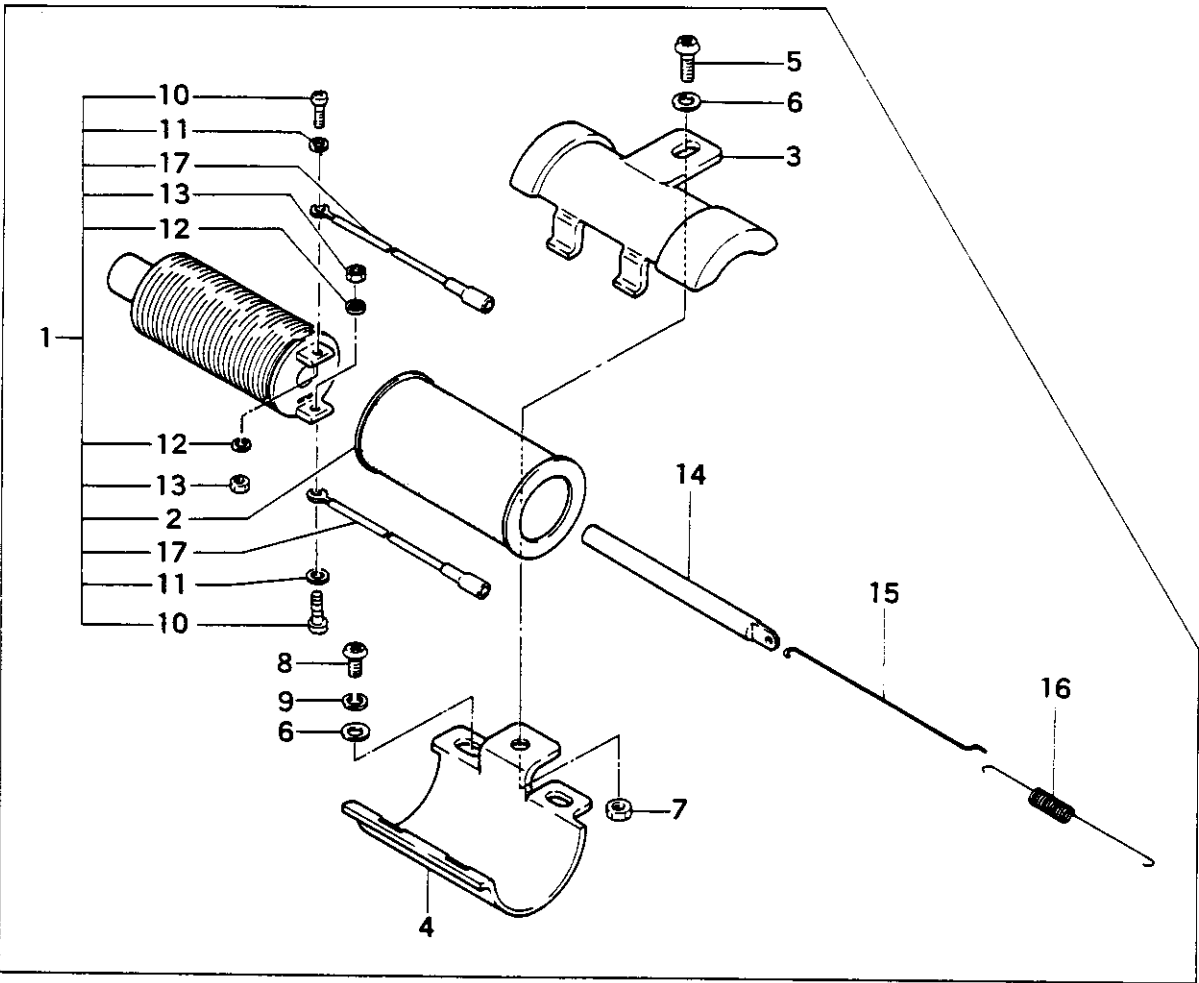
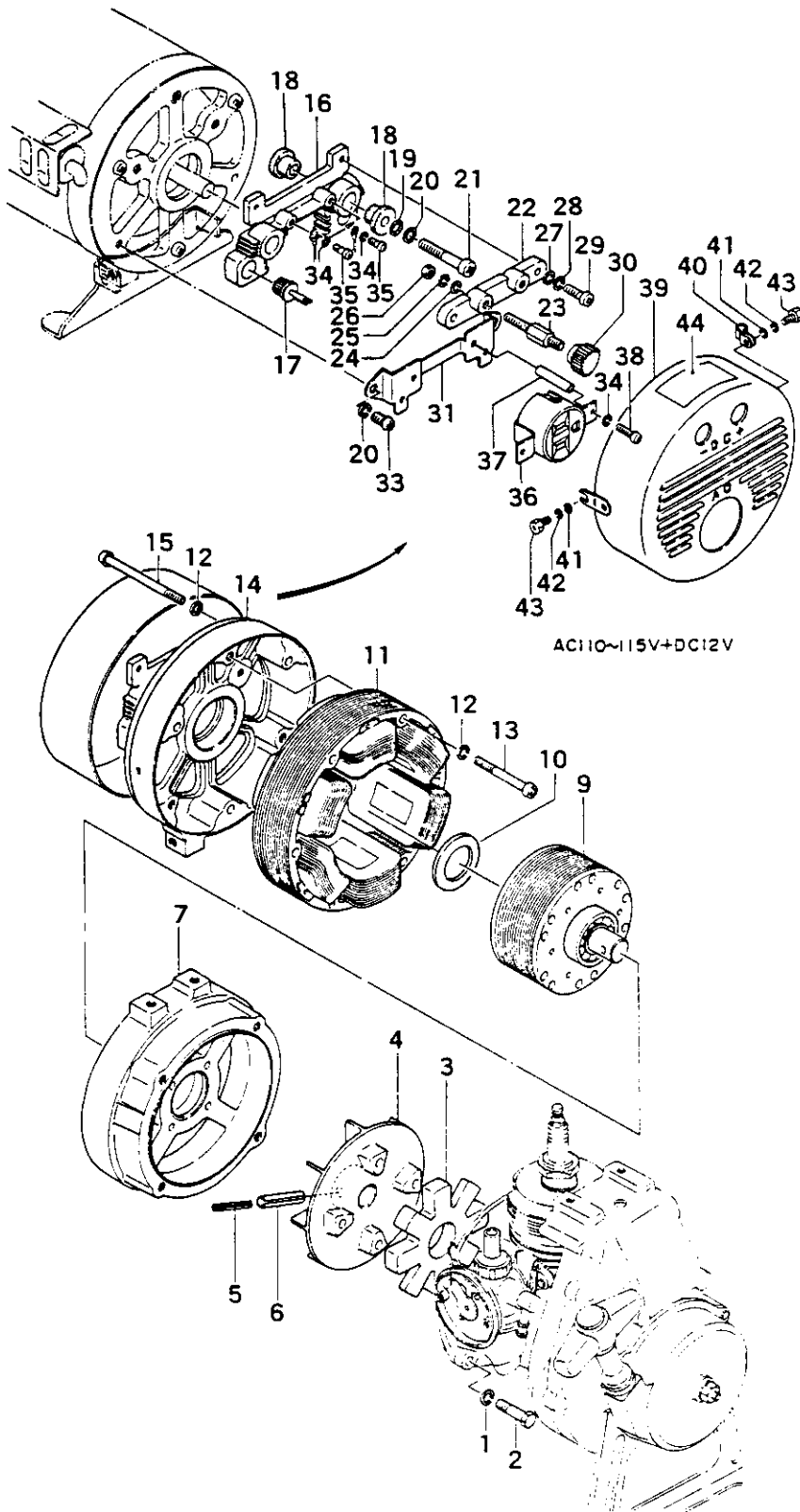
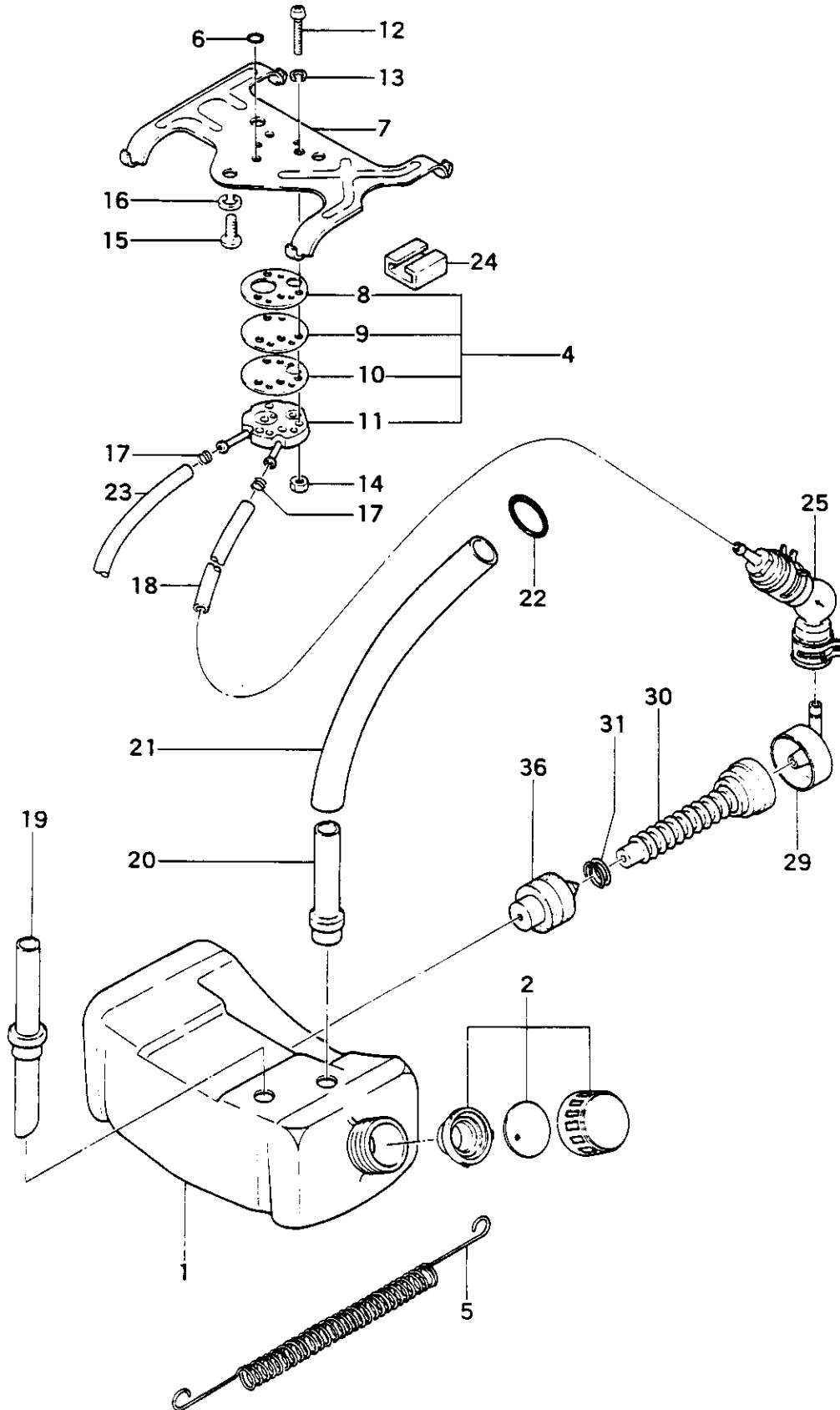


FIG.6 GENERATOR



REFERENCE NUMBER	PRODUCTION PART NUMBER	PART NAME	QUANTITY	SERIAL NUMBER	SPARE PART NUMBER
FIG.6 GENERATOR					
6-001	992-10060-012	S.WASHER 6	3		992 1019 7
6-002	990-21060-181	BOLT 6X18	3		990 2039 6
6-003	030-30200-200	COUPLING RUBBER	1		030 0010 6
6-004	027-30200-200	COUPLING FAN	1		027 0050 0
6-005	993-24035-280	SPRING PIN 3.5X28	1		993 2014 8
6-006	993-24060-280	SPRING PIN 6X28	1		993 2019 3
6-007	105-30200-201	REAR CASE COMP.	1		105 0010 3
6-009	006-30800-900	ROTOR ASS'Y	1		006 0120 9
6-010	108-30200-200	SHIM 0.1	V		108 0000 7
6-011	067-30809-900	STATOR CORE ASS'Y QEG/AQB-250	1		067 0100 0
6-011	067-30803-900	STATOR CORE ASS'Y QEG/AQB-300	1		067 0080 3
6-012	992-10060-012	S.WASHER 6	4		992 1019 7
6-013	990-11060-451	SCREW 6X45	1		990 1155 8
6-014	110-30800-800	FRONT CASE COMP.	1		110 0080 0
6-015	990-11060-651	SCREW 6X65	3		990 1163 7
6-016	231-30805-200	DIODE BASE	1		231 0050 3
6-017	174-30800-200	12 DIODE	2		174 0040 8
6-018	232-30803-200	DIODE BASE BUSHING A	4		232 0010 2
6-019	992-01060-011	WASHER 6	2		992 0040 8
6-020	992-10060-012	S.WASHER 6	4		992 1019 7
6-021	990-11060-351	SCREW 6X35	2		990 1149 7
6-022	295-30805-200	DC TERMINAL BASE	1		295 0000 4
6-023	160-30805-200	DC TERMINAL	2		160 0040 7
6-024	992-01050-011	WASHER 5	2		992 0035 6
6-025	992-10050-012	S.WASHER 5	2		992 1012 4
6-026	991-01050-011	HEX. NUT 5	2		991 0015 5
6-027	992-01050-011	WASHER 5	2		992 0035 6
6-028	992-10050-012	S.WASHER 5	2		992 1012 4
6-029	990-11050-141	SCREW 5X14	2		990 1068 9
6-030	161-30805-801	DC TERMINAL CAP COMP.	2		161 0011 2
6-031	235-30805-800	AC RECEPTACLE BASE COMP.	1		235 0030 7
6-033	990-11060-081	SCREW 6X8	2		990 1112 3
6-034	992-10040-012	S.WASHER 4	4		992 1007 2
6-035	990-11040-081	SCREW 4X8	2		990 1026 3
6-036	409-30803-900	SOCKET ASS'Y	1		409 0020 1
6-037	410-30407-200	SOCKET COLLAR	2		410 0800 1
6-038	990-11040-301	SCREW 4X30	2		990 1054 6
6-039	184-30809-800	CASE COVER COMP. QEG/AQB-250	1		184 0060 5
6-039	184-30805-800	CASE COVER COMP. QEG/AQB-300	1		184 0050 8
6-040	198-00701-201	CORD CLAMP	1		198 0050 9
6-041	992-01040-011	WASHER 4	2		992 0031 0
6-042	992-10040-012	S.WASHER 4	2		992 1007 2
6-043	990-23040-101	BOLT 4X10	2		990 2176 0
6-044	888-30809-200	BATTERY CAUTION MARK	1		888 0040 6

FIG.7 PUMP & FUEL TANK



REFERENCE NUMBER	PRODUCTION PART NUMBER	PART NAME	QUANTITY	SERIAL NUMBER	SPARE PART NUMBER
FIG.7 PUMP & FUEL TANK					
7-001	591-00535-210	TANK COMP.	1	591 0101	1
7-002	595-00539-900	TANK CAP ASS*Y	1	595 0020	1
7-004	593-00535-900	PUMP ASS*Y	1	593 0040	1
7-005	648-00502-200	FUEL TANK BAND	2	648 0040	2
7-006	999-67004-000	O-RING P4	1	999 6702	2
7-007	653-00502-200	FUEL TANK BRACKET	1	653 0030	3
7-008	671-04001-213	PUMP GASKET	1	671 0001	3
7-009	670-04003-200	PUMP DIAPHRAGM	1	670 0030	8
7-010	674-04001-211	FREE VALVE	1	674 0001	4
7-011	667-00601-810	PUMP SUCTION SIDE COMP.	1	667 0041	0
7-012	990-11040-121	SCREW 4X12	3	990 1033	3
7-013	992-10040-011	S.WASHER 4	3	992 1006	3
7-014	991-01040-013	NUT 4	3	991 0012	8
7-015	990-11060-101	SCREW 6X10	3	990 1116	9
7-016	992-10060-012	S.WASHER 6	3	992 1019	7
7-017	701-00702-200	FUEL PIPE STOPER	2	701 0040	2
7-018	700-03005-120	FUEL PIPE 3X5X120	1	700 0580	8
7-019	532-00535-202	RETURN PIPE A	1	532 0001	7
7-020	530-00502-202	RETURN PIPE	1	530 0010	1
7-021	700-14508-255	FUEL PIPE	1	700 2050	0
7-022	999-67015-000	O-RING P15	1	999 6717	4
7-023	700-03005-120	FUEL PIPE 3X5X120	1	700 0580	8
7-024	655-04001-200	FUEL TANK CUSHION RUBBER A	4	655 0100	9
7-025	593-00638-900	PRIMER PUMP ASS*Y	1	593 0060	5
7-029	500-33202-205	RUBBER PIPE CAP	1	500 0171	6
7-030	678-00206-203	RUBBER PIPE	1	678 0051	7
7-031	680-04019-210	CLIP 7	1	680 0162	3
7-036	675-00206-900	PUMP FILTER BODY ASS*Y	1	675 0020	6

FIG.8 HANDLE & FRAME

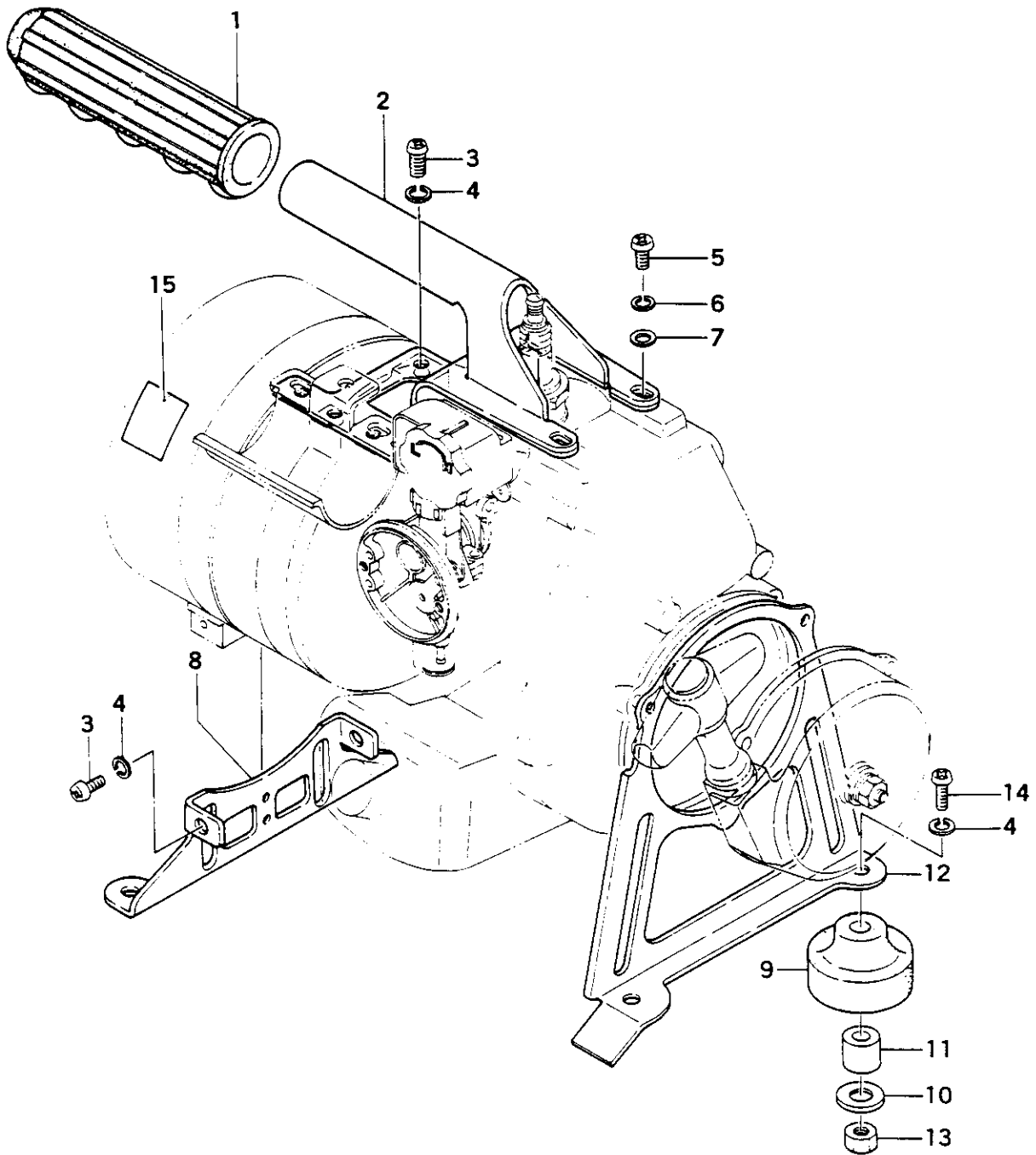
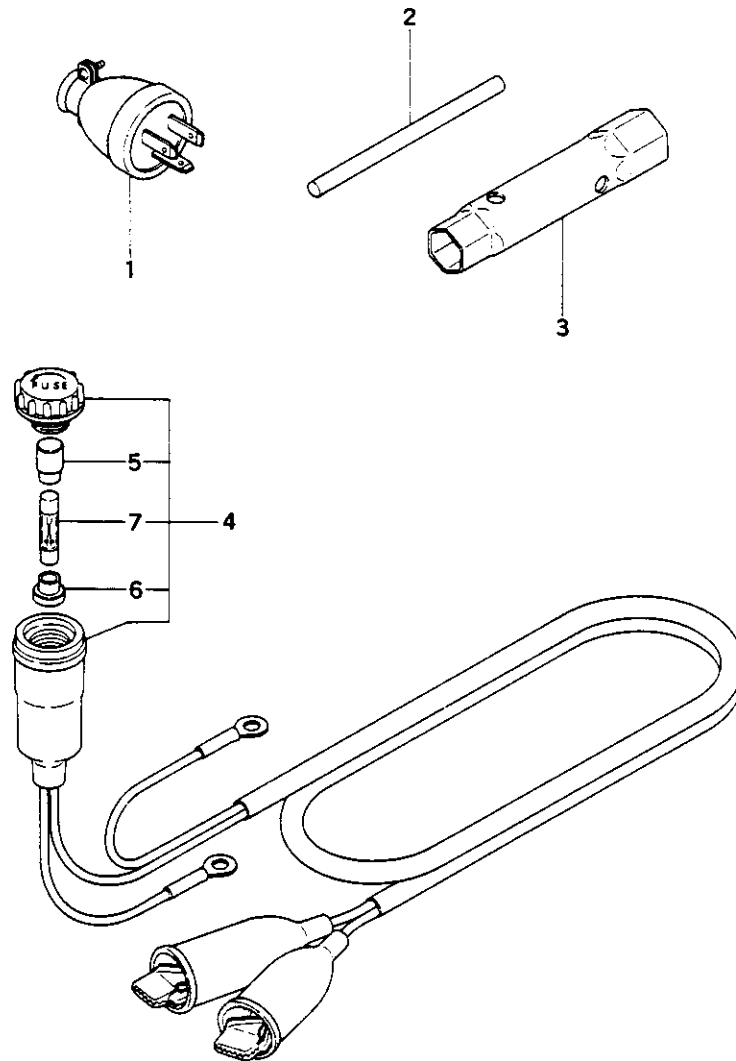


FIG.9 TOOLS & OPTIONAL PARTS



REFERENCE NUMBER	PRODUCTION PART NUMBER	PART NAME	QUANTITY	SERIAL NUMBER	SPARE PART NUMBER
FIG.9 TOOL & OPTIONAL PARTS					
9-001	925-30204-800	PLUG COMP.	1		925 0020 4
9-002	951-20000-200	HANDLE 8X120	1		951 0010 8
9-003	826-20000-200	BOX SPANNER 17X19	1		826 0000 6
9-004	787-30803-900	BATTERY LEAD ASS'Y 10A	1		787 0020 4
9-004	787-30809-900	BATTERY LEAD ASS'Y 20A	1		787 0030 1
9-005	297-30809-200	FUSE HOLDER A	1		297 0010 5
9-006	298-30809-200	FUSE HOLDER B	1		298 0020 9
9-007	190-30401-201	FUSE/10A	1		190 0020 2
9-007	190-30809-210	FUSE/20A	1		190 0091 0

Free Manuals Download Website

<http://myh66.com>

<http://usermanuals.us>

<http://www.somanuals.com>

<http://www.4manuals.cc>

<http://www.manual-lib.com>

<http://www.404manual.com>

<http://www.luxmanual.com>

<http://aubethermostatmanual.com>

Golf course search by state

<http://golfingnear.com>

Email search by domain

<http://emailbydomain.com>

Auto manuals search

<http://auto.somanuals.com>

TV manuals search

<http://tv.somanuals.com>