

Tanaka

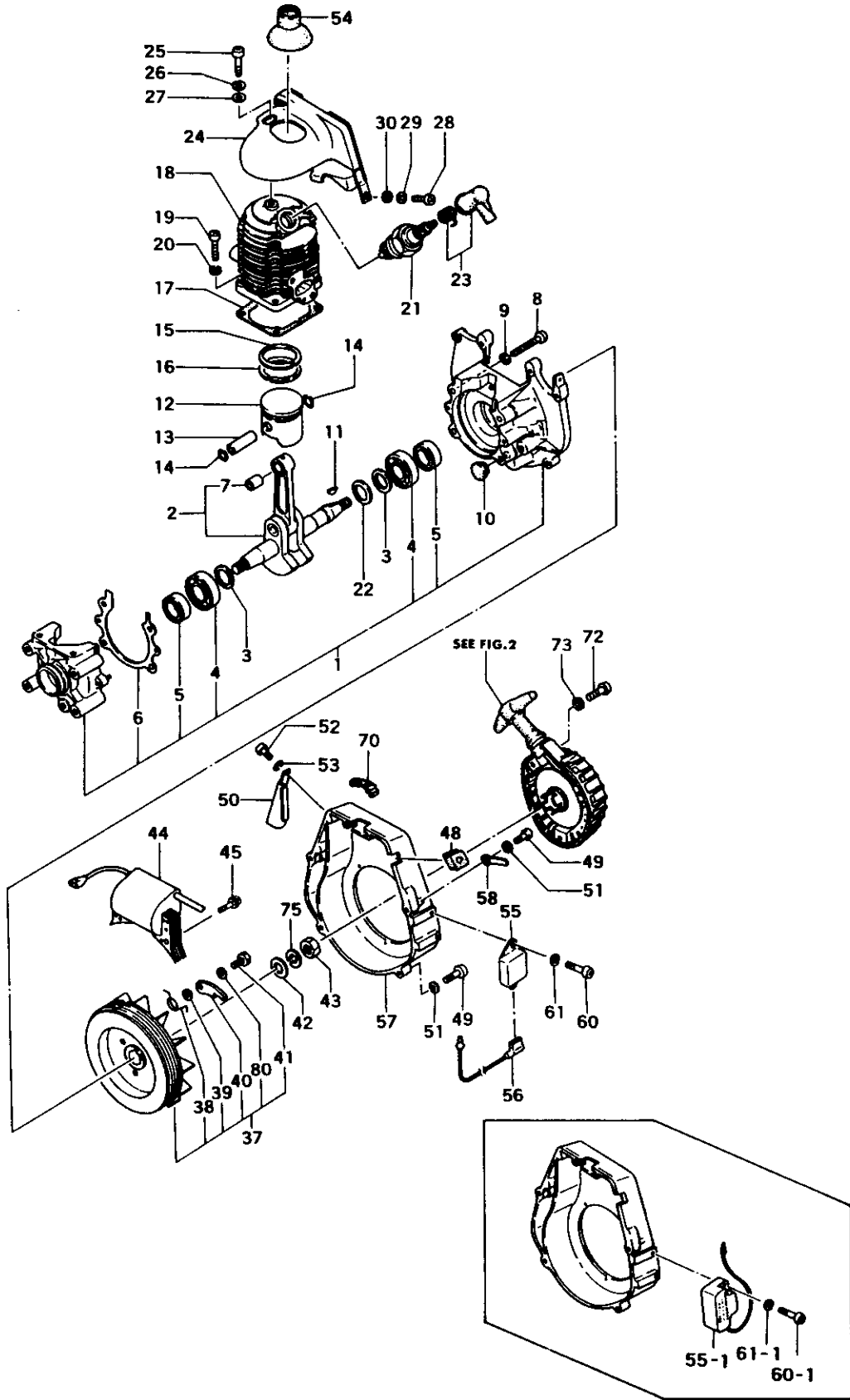
Parts Catalog

Hedgetrimmer

Model: THT-232

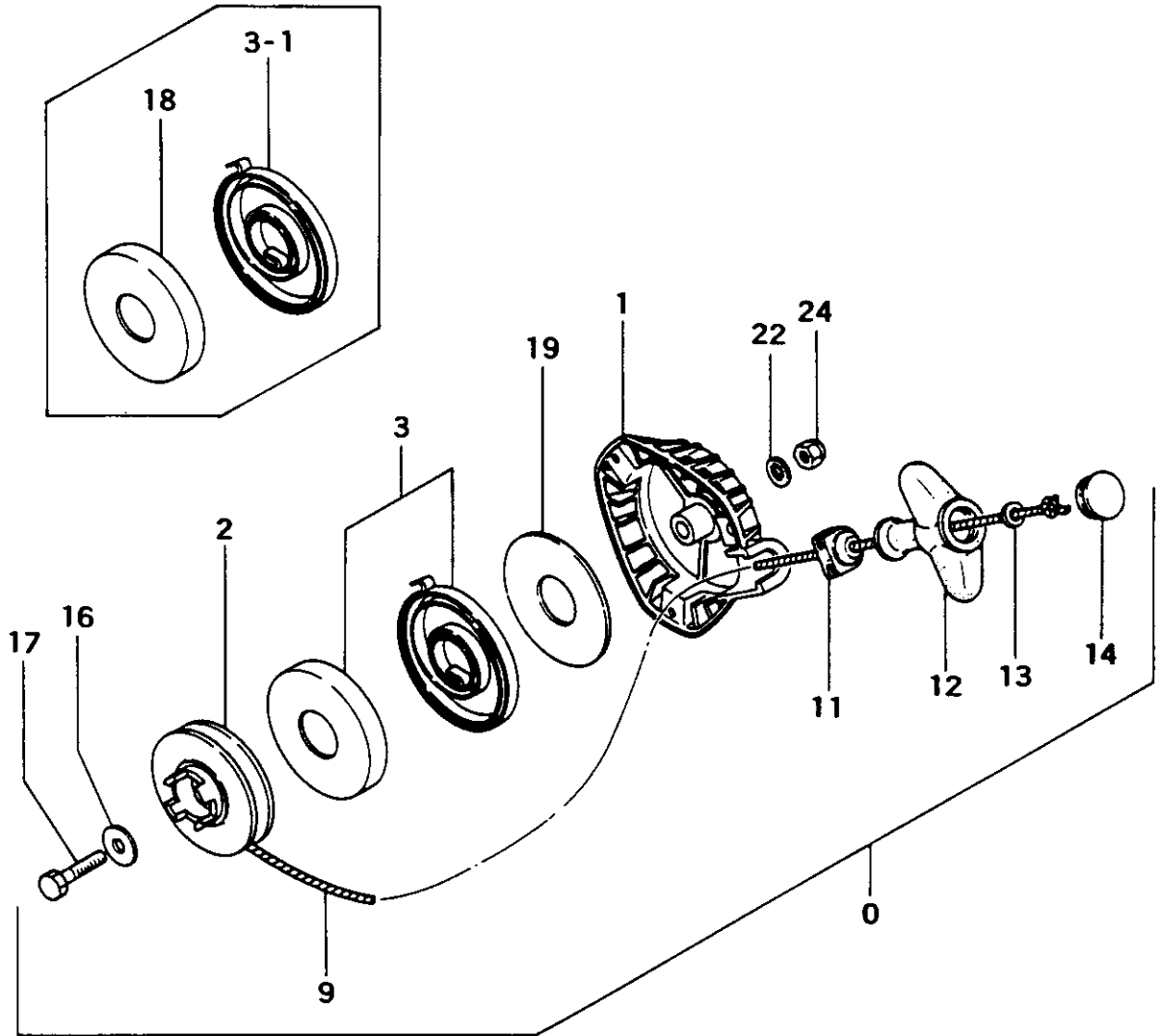
All Units Prior To Serial Number F 148391

FIG. 1 ENGINE



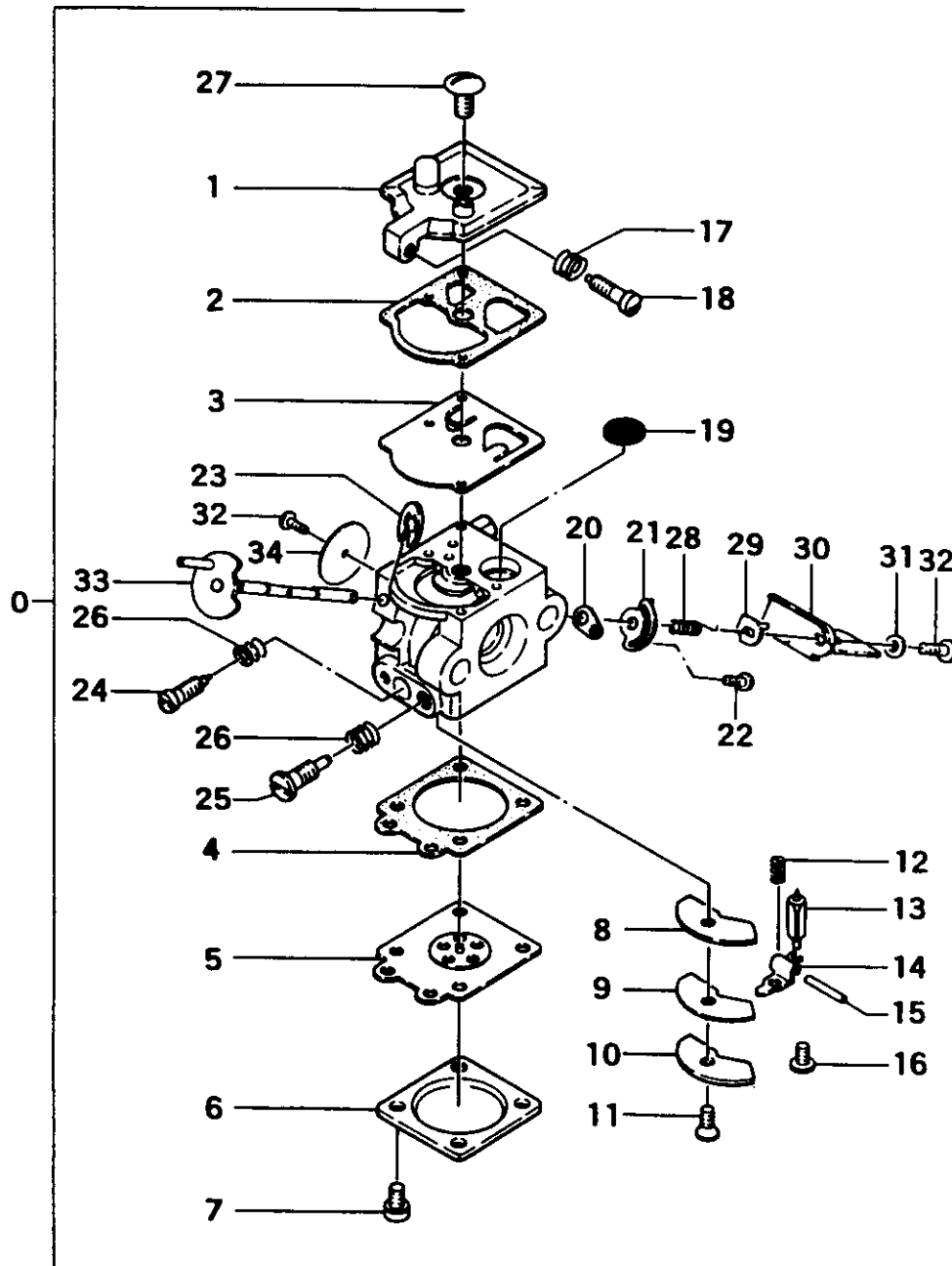
| REF. NBR | PART NBR | PART NAME | QTY | SERIAL NBR | REMARKS |
|----------|---------------|-------------------------------|-----|------------|---------|
| 1-001 | 072-00764-900 | CRANK CASE ASS'Y | 1 | | |
| 1-002 | 046-00700-803 | CRANK SHAFT COMP. | 1 | | |
| 1-003 | 070-00601-201 | CRANK SHAFT WASHER 12.2X18 | 2 | | |
| 1-004 | 999-61600-100 | BALL BEARING #6001, 28MM/OD | 2 | | |
| 1-005 | 999-66122-268 | OIL SEAL 12227 | 2 | | |
| 1-006 | 090-00601-205 | CRANK CASE GASKET | 1 | | |
| 1-007 | 999-62081-225 | NEEDLE BEARING F-810 | 1 | | |
| 1-008 | 990-11050-251 | SCREW 5X25 | 4 | | |
| 1-009 | 992-10050-012 | S. WASHER 5 | 4 | | |
| 1-010 | 599-00601-200 | GROMMET | 1 | | |
| 1-011 | 068-10100-200 | WOOD-RUFF KEY 3X13X4.5 | 1 | | |
| 1-012 | 031-00601-202 | PISTON | 1 | | |
| 1-013 | 037-00601-200 | PISTON PIN | 1 | | |
| 1-014 | 039-00601-200 | PISTON PIN CIRCLIP | 2 | | |
| 1-015 | 040-00601-200 | PISTON RING/TOP | 1 | | |
| 1-016 | 041-00601-200 | PISTON RING | 1 | | |
| 1-017 | 017-00601-203 | CYLINDER GASKET | 1 | | |
| 1-018 | 002-0062T-800 | CYLINDER COMP. | 1 | | |
| 1-019 | 990-11050-161 | SCREW 5X18 | 4 | | |
| 1-020 | 992-10050-012 | S. WASHER 5 | 4 | | |
| 1-021 | 018-00502-200 | SPARK PLUG BM6A | 1 | | |
| 1-022 | 330-00200-210 | GEAR SHAFT SHIM 0.10 | V | | |
| 1-022 | 330-00200-220 | GEAR SHAFT SHIM 0.15 | V | | |
| 1-022 | 330-00200-230 | GEAR SHAFT SHIM 0.20 | V | | |
| 1-022 | 330-00200-240 | GEAR SHAFT SHIM 0.30 | V | | |
| 1-023 | 157-04000-900 | SPARK PLUG CAP ASS'Y | 1 | | |
| 1-024 | 016-00601-800 | CYLINDER SHROUD COMP. | 1 | | |
| 1-025 | 990-11050-101 | SCREW 5X10 | 1 | | |
| 1-026 | 992-10050-012 | S. WASHER 5 | 1 | | |
| 1-027 | 992-01050-011 | WASHER 5 | 1 | | |
| 1-028 | 990-11040-101 | SCREW 4X10 | 1 | | |
| 1-029 | 992-10040-012 | S. WASHER 4 | 1 | | |
| 1-030 | 992-00040-011 | SMALL WASHER 4 | 1 | | |
| 1-037 | 155-21700-900 | MAGNETO ROTOR ASS'Y | 1 | | |
| 1-038 | 790-00601-202 | STARTER PAWL SPRING | 2 | -C132439 | |
| 1-038 | 790-00601-203 | STARTER PAWL SPRING | 2 | P C132440- | |
| 1-039 | 786-00601-200 | STARTER PAWL WASHER | 2 | | |
| 1-040 | 788-00601-203 | STARTER PAWL | 2 | | |
| 1-041 | 793-10200-201 | STEP BOLT | 2 | | |
| 1-042 | 065-00000-200 | FLYWHEEL WASHER | 1 | | |
| 1-043 | 066-00601-200 | FLYWHEEL NUT | 1 | | |
| 1-044 | 167-20763-800 | IGNITION COIL COMP. | 1 | | |
| 1-045 | 994-16040-181 | SCREW 4X18/VS | 2 | M | |
| 1-045 | 994-16040-226 | SCREW 4X22/VS | 2 | | |
| 1-048 | 203-0604A-202 | GROMMET | 1 | | |
| 1-049 | 990-11040-181 | SCREW 4X18 | 4 | | |
| 1-050 | 132-00601-200 | FLASH PAN | 1 | -D037769 | |
| 1-050 | 132-00601-201 | FLASH PAN | 1 | P D037770- | |
| 1-051 | 992-10040-012 | S. WASHER 4 | 4 | | |
| 1-052 | 990-11040-101 | SCREW 4X10 | 1 | | |
| 1-053 | 992-10040-012 | S. WASHER 4 | 1 | | |
| 1-054 | 255-0062A-200 | SPARK PLUG RUBBER COVER | 1 | R -D293830 | |
| 1-054 | 255-0062A-201 | SPARK PLUG RUBBER COVER | 1 | D293831- | |
| 1-055, 1 | 159-21401-870 | IGNITOR COMP. TTI-1D | 1 | R -B078315 | |
| 1-055, 1 | 159-21401-871 | IGNITOR COMP. TTI-1E | 1 | -E062000 | |
| 1-055 | 159-21401-872 | IGNITOR COMP. TTI-1F | 1 | N E062001- | |
| 1-056 | 173-0162R-800 | IGNITOR LEAD WIRE COMP., R85M | 1 | N E062001- | |
| 1-057 | 112-00700-201 | FAN CASE | 1 | | |
| 1-058 | 198-11600-800 | CORD CLAMP COMP. | 1 | | |
| 1-060, 1 | 990-11040-181 | SCREW 4X18 | 2 | -E062000 | |
| 1-060 | 990-11040-081 | SCREW 4X8 | 1 | N E062001- | |
| 1-061, 1 | 992-10040-012 | S. WASHER 4 | 2 | -E062000 | |
| 1-061 | 992-10040-012 | S. WASHER 4 | 1 | E062001- | |
| 1-070 | 130-00610-201 | FAN CASE PLUG | 1 | -C085250 | |
| 1-070 | 130-00610-202 | FAN CASE PLUG | 1 | P C085251- | |
| 1-072 | 990-11040-101 | SCREW 4X10 | 3 | | |
| 1-073 | 992-10040-012 | S. WASHER 4 | 3 | | |
| 1-075 | 992-10070-012 | S. WASHER 7 | 1 | | |
| 1-080 | 822-00601-200 | STARTER PAWL SHIM 0.6T | 2 | | |

FIG.2 RECOIL STARTER



| REF. NBR | PART NBR | PART NAME | QTY | SERIAL NBR | REMARKS |
|----------|---------------|---------------------------|-----|------------|---------|
| 2-000 | 756-00601-912 | RECOIL STARTER ASS'Y | 1 | R -B148363 | |
| 2-000 | 756-00601-920 | RECOIL STARTER ASS'Y | 1 | B148364- | |
| 2-001 | 772-00601-800 | RECOIL STARTER BODY COMP. | 1 | R -B148363 | |
| 2-001 | 772-00601-820 | RECOIL STARTER BODY COMP. | 1 | R -D006550 | |
| 2-001 | 772-00601-821 | RECOIL STARTER BODY COMP. | 1 | D006551- | |
| 2-002 | 774-00601-806 | STARTER ROPE REEL COMP. | 1 | | |
| 2-003.1 | 779-00601-204 | RECOIL SPRING | 1 | R -F067900 | |
| 2-003 | 778-00600-900 | RECOIL SPRING CASE ASS'Y | 1 | F067901- | |
| 2-009 | 783-00601-210 | ROPE | 1 | | |
| 2-011 | 780-00601-201 | ROPE GUIDE | 1 | | |
| 2-012 | 785-10207-201 | STARTER HANDLE | 1 | | |
| 2-013 | 992-01040-011 | WASHER 4 | 1 | | |
| 2-014 | 833-10207-200 | STARTER HANDLE CAP | 1 | | |
| 2-016 | 992-08050-006 | SPECIAL WASHER 5 | 1 | | |
| 2-017 | 990-21050-251 | BOLT 5X25 | 1 | | |
| 2-018 | 778-0141Y-202 | RECOIL SPRING CASE | 1 | D F067901- | |
| 2-019 | 778-00601-201 | RECOIL SPRING CASE COVER | 1 | | |
| 2-022 | 992-20050-000 | INNER TOOTHED WASHER 5 | 1 | | |
| 2-024 | 991-43050-026 | CAP NUT 5 | 1 | | |

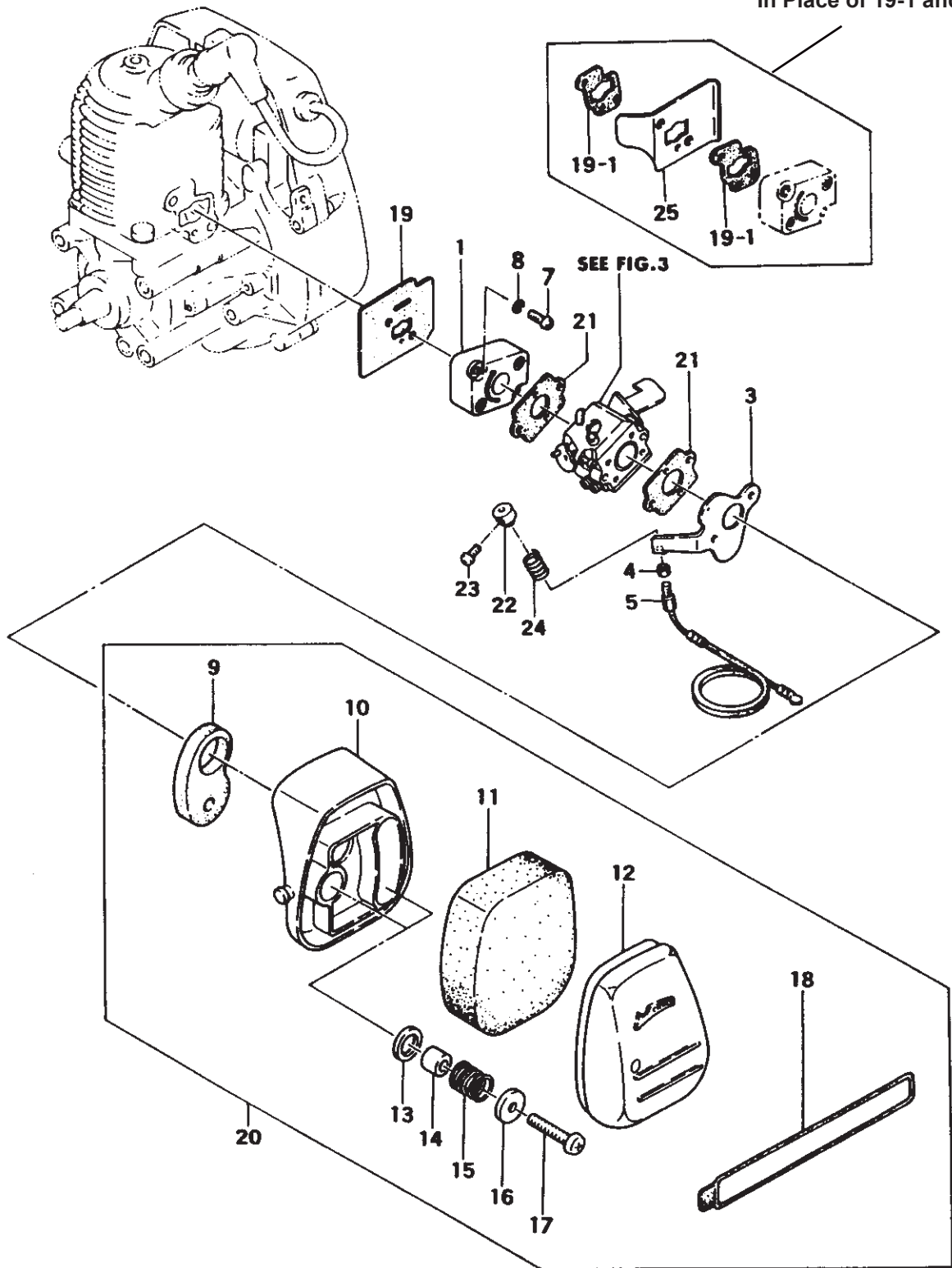
FIG.3 CARBURETOR



| REF. NBR | PART NBR | PART NAME | QTY | SERIAL NBR | REMARKS |
|----------|---------------|-------------------------------|-----|------------|---------|
| 3-000 | 455-25004-902 | CARBURETOR ASS'Y | 1 | R -D006550 | |
| 3-000 | 455-25022-900 | CARBURETOR ASS'Y WA-12C | 1 | R -D037770 | |
| 3-000 | 455-25022-901 | CARBURETOR ASS'Y WA-12C | 1 | D037771- | |
| 3-001 | 575-25001-200 | PUMP BODY | 1 | | |
| 3-002 | 577-25001-200 | PUMP GASKET | 1 | | |
| 3-003 | 576-25001-200 | PUMP DIAPHRAGM | 1 | | |
| 3-004 | 475-25001-200 | DIAPHRAGM GASKET | 1 | | |
| 3-005 | 474-25001-800 | METERING DIAPHRAGM COMP. | 1 | | |
| 3-006 | 476-25006-200 | DIAPHRAGM COVER | 1 | M | |
| 3-006 | 476-25004-200 | DIAPHRAGM COVER | 1 | | |
| 3-007 | 548-25014-201 | SET SCREW | 4 | M | |
| 3-007 | 548-25012-200 | SET SCREW | 4 | | |
| 3-008 | 522-25001-200 | CIRCUIT PLATE GASKET | 1 | | |
| 3-009 | 521-25001-200 | CIRCUIT CHECK VALVE DIAPHRAGM | 1 | | |
| 3-010 | 523-25001-200 | CIRCUIT PLATE | 1 | | |
| 3-011 | 524-25001-200 | CIRCUIT PLATE SCREW | 1 | | |
| 3-012 | 477-25001-200 | VALVE SPRING | 1 | | |
| 3-013 | 603-25001-200 | NEEDLE VALVE | 1 | | |
| 3-014 | 473-25001-200 | VALVE HINGE | 1 | | |
| 3-015 | 605-25001-200 | HINGE PIN | 1 | | |
| 3-016 | 546-25001-200 | HINGE PIN SET SCREW | 1 | | |
| 3-017 | 463-25008-200 | IDLE ADJUST SPRING | 1 | | |
| 3-018 | 462-25008-200 | IDLE ADJUST SCREW | 1 | | |
| 3-019 | 578-25001-200 | INLET SCREEN | 1 | | |
| 3-020 | 505-25004-200 | GOVERNOR CONTROL PLATE | 1 | | |
| 3-021 | 507-25004-200 | CONTROL LEVER | 1 | | |
| 3-022 | 548-25004-200 | SCREW 3X8 | 1 | | |
| 3-023 | 489-25004-200 | STOP RING | 1 | | |
| 3-024 | 461-25001-200 | SLOW ADJUST SCREW | 1 | | |
| 3-025 | 460-25001-200 | MAIN JET SCREW | 1 | | |
| 3-026 | 623-25001-200 | HIGH/LOW ADJUST SPRING | 2 | | |
| 3-027 | 514-25001-200 | SET SCREW | 1 | | |
| 3-028 | 486-25004-200 | CONTROL LEVER SPRING | 1 | | |
| 3-029 | 490-25004-200 | GOVERNOR SPRING LEVER | 1 | | |
| 3-030 | 630-25004-201 | GOVERNOR LEVER | 1 | | |
| 3-031 | 549-25004-200 | SPECIAL WASHER | 1 | | |
| 3-032 | 467-25003-200 | SHUTTER SCREW | 2 | | |
| 3-033 | 464-25004-800 | THROTTLE SHAFT COMP. | 1 | | |
| 3-034 | 488-25012-200 | THROTTLE VALVE | 1 | M | |
| 3-034 | 488-25001-200 | THROTTLE VALVE | 1 | | |

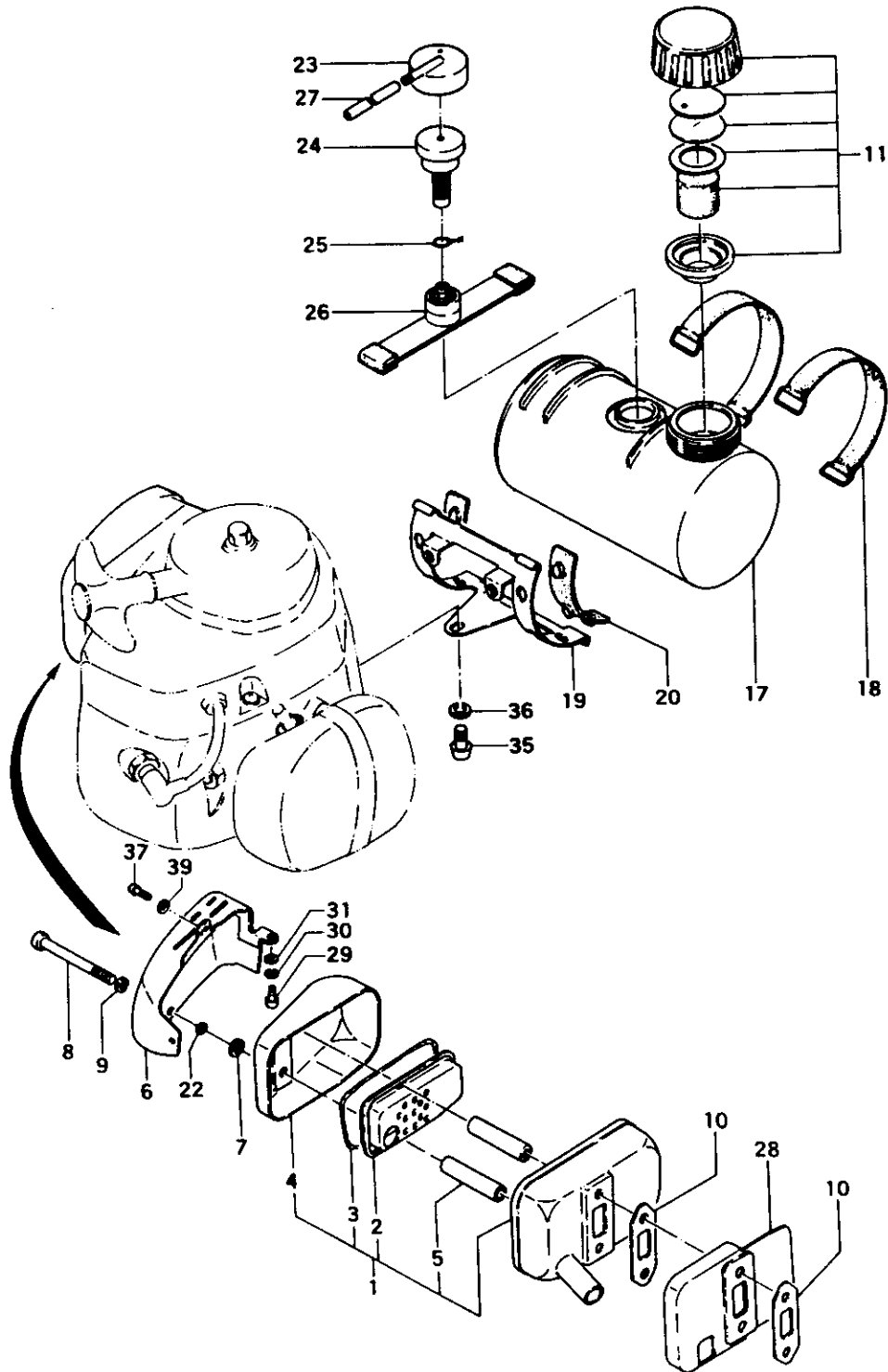
FIG.4 AIR CLEANER

Use Ref # 19
Part # 40300754201
In Place of 19-1 and 25



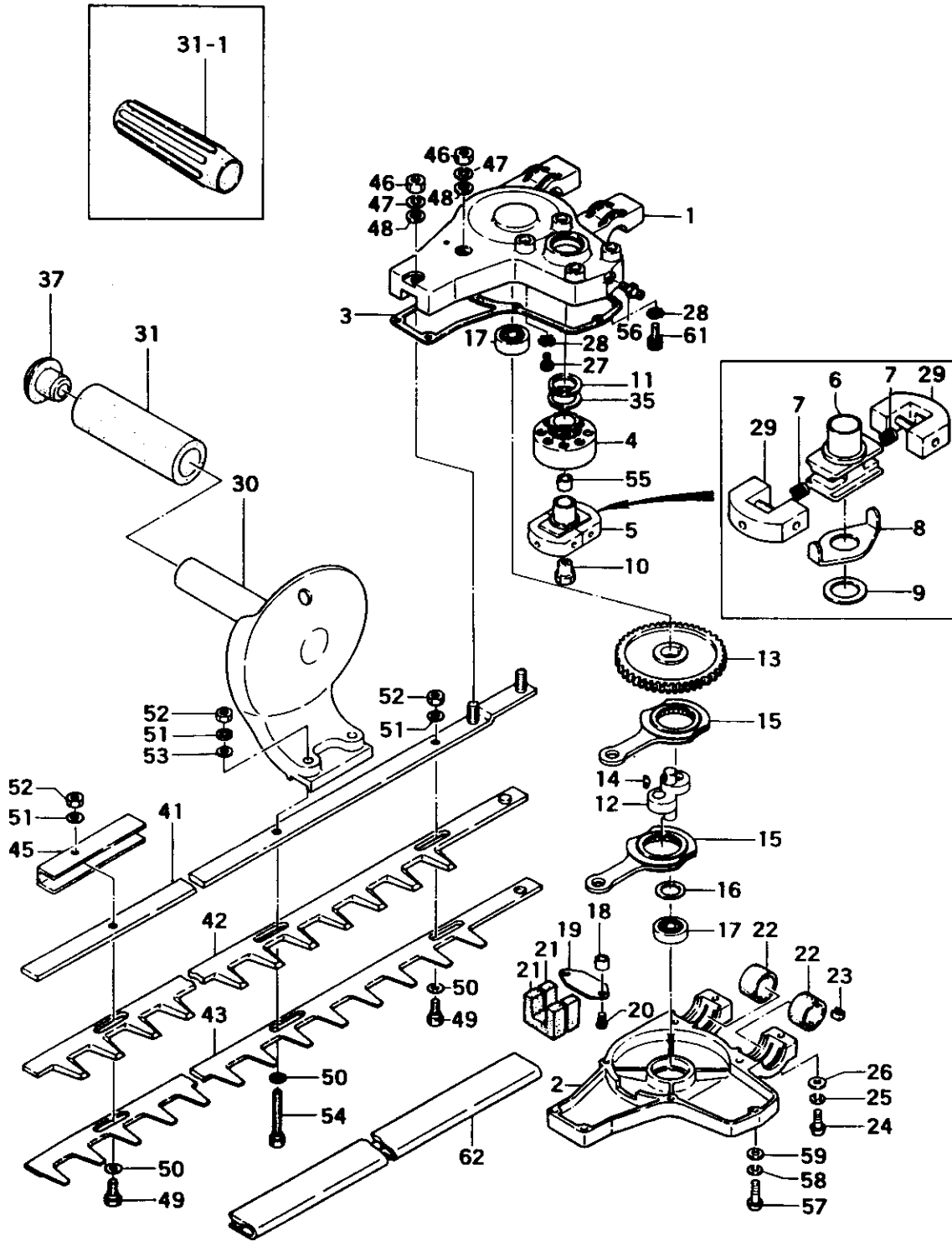
| REF. NBR | PART NBR | PART NAME | QTY | SERIAL NBR | REMARKS |
|----------|---------------|----------------------------|-----|------------|---------|
| 4-001 | 404-0142A-801 | CARBURETOR INSULATOR COMP. | 1 | | |
| 4-003 | 436-0062W-250 | AIR CLEANER BASE | 1 | R -C132439 | |
| 4-003 | 436-0062W-251 | AIR CLEANER BASE | 1 | C132440- | |
| 4-004 | 991-01060-013 | NUT 6 | 1 | | |
| 4-005 | 894-01401-201 | OUTER RECEIVER | 1 | | |
| 4-007 | 990-11050-241 | SCREW 5X24 | 2 | | |
| 4-008 | 992-10050-012 | S.WASHER 5 | 2 | | |
| 4-009 | 431-00601-201 | CLEANER GASKET | 1 | | |
| 4-010 | 423-00601-203 | AIR CLEANER BODY | 1 | | |
| 4-011 | 444-00601-201 | CLEANER ELEMENT A | 1 | | |
| 4-012 | 424-00601-202 | CLEANER COVER | 1 | | |
| 4-013 | 182-00601-200 | SPECIAL WASHER/CLEANER | 2 | | |
| 4-014 | 454-00601-202 | CLEANER FIXING METAL | 2 | | |
| 4-015 | 432-00601-200 | CLEANER SPRING | 2 | | |
| 4-016 | 992-01050-011 | WASHER 5 | 2 | | |
| 4-017 | 990-11050-551 | SCREW 5X55 | 2 | | |
| 4-018 | 466-0062A-200 | CLEANER BAND | 1 | | |
| 4-019.1 | 403-00601-202 | INLET MANIFOLD GASKET | 2 | -B230282 | |
| 4-019 | 403-00754-200 | INLET MANIFOLD GASKET | 1 | N -C192852 | |
| 4-019 | 403-00754-201 | INLET MANIFOLD GASKET | 1 | P C192853- | |
| 4-020 | 410-0062A-901 | AIR CLEANER ASS'Y | 1 | | |
| 4-021 | 402-00601-202 | CARBURETOR GASKET | 2 | | |
| 4-022 | 228-0062W-201 | METAL | 1 | | |
| 4-023 | 990-11040-060 | SCREW 4X6 | 1 | | |
| 4-024 | 688-11501-200 | RETURN SPRING | 1 | | |
| 4-025 | 132-0062W-201 | FLASH PAN | 1 | D B230283- | |

FIG.5 FUEL TANK & MUFFLER



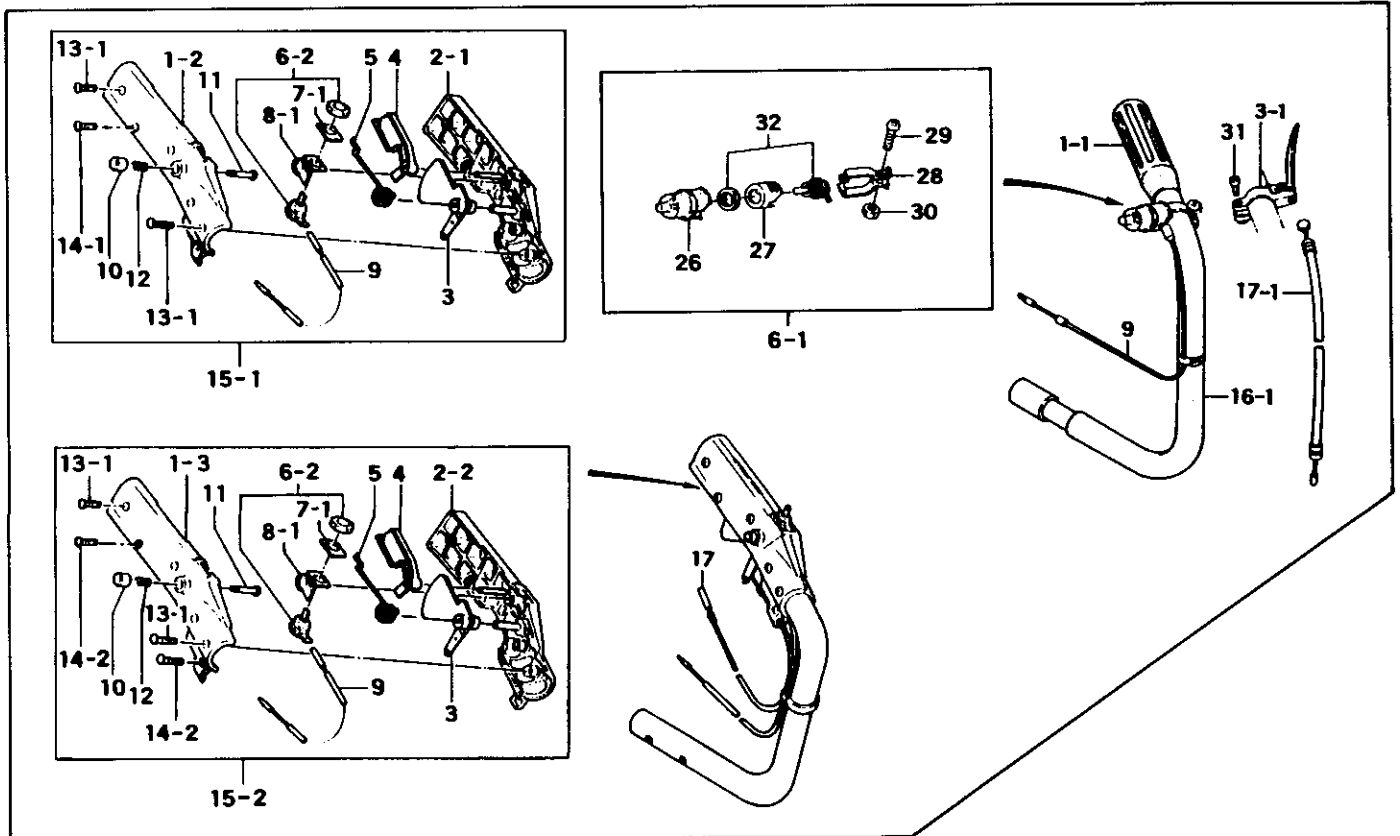
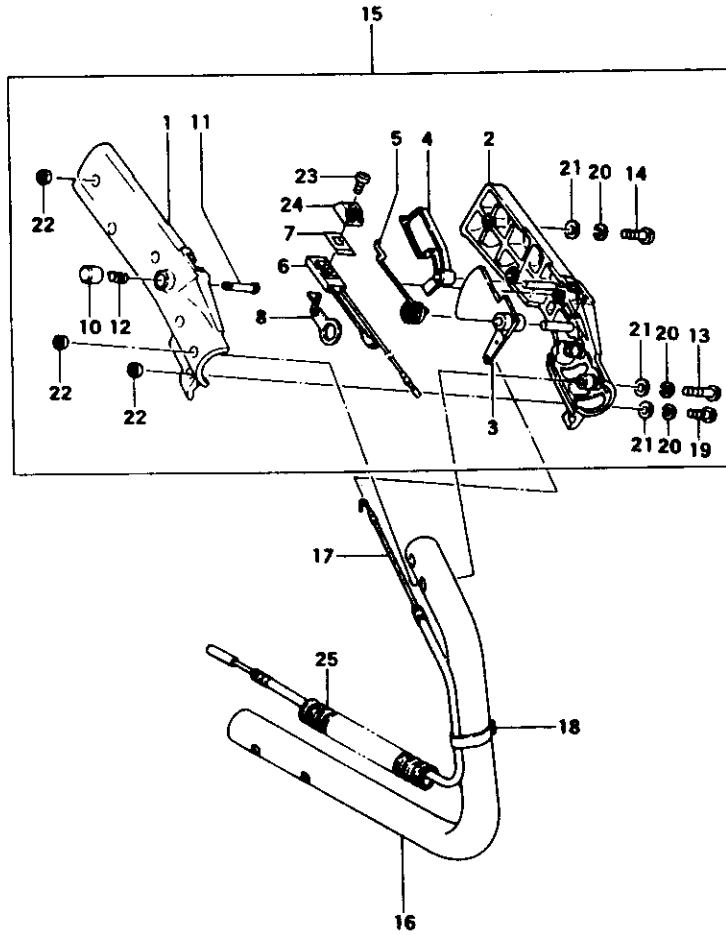
| REF. NBR | PART NBR | PART NAME | QTY | SERIAL NBR | REMARKS |
|----------|---------------|--------------------------|-----|------------|---------|
| 5-001 | 706-0062W-900 | MUFFLER ASS'Y | 1 | R -B027993 | |
| 5-001 | 706-0062W-901 | MUFFLER ASS'Y | 1 | R -C154793 | |
| 5-001 | 706-0062W-910 | MUFFLER ASS'Y | 1 | C154794- | |
| 5-002 | 722-0062W-800 | MUFFLER PARTITIVE PLATE | 1 | R -B027993 | |
| 5-002 | 722-0062W-810 | MUFFLER PARTITIVE PLATE | 1 | R -C154793 | |
| 5-002 | 722-0062W-820 | MUFFLER PARTITIVE PLATE | 1 | C154794- | |
| 5-003 | 723-0062W-200 | ASBESTOS THREAD | 1 | | |
| 5-004 | 717-0062W-801 | MUFFLER BODY B COMP. | 1 | | |
| 5-005 | 740-0062W-200 | MUFFLER COLLAR | 2 | | |
| 5-006 | 738-0062W-211 | MUFFLER PROTECTOR | 1 | | |
| 5-007 | 751-0062W-200 | MUFFLER S. GASKET | 2 | | |
| 5-008 | 990-11050-601 | SCREW 5X60 | 2 | | |
| 5-009 | 992-10050-012 | S.WASHER 5 | 2 | | |
| 5-010 | 737-00531-201 | MUFFLER GASKET | 2 | | |
| 5-011 | 595-0062A-910 | TANK CAP ASS'Y, ORANGE | 1 | M | |
| 5-011 | 595-0062A-901 | TANK CAP ASS'Y | 1 | | |
| 5-017 | 591-00764-800 | TANK COMP. | 1 | | |
| 5-018 | 603-01401-800 | FUEL TANK BAND COMP. | 2 | | |
| 5-019 | 607-0062W-200 | FUEL TANK BRACKET | 1 | | |
| 5-020 | 655-02101-201 | FUEL TANK CUSHION RUBBER | 2 | | |
| 5-022 | 992-01050-011 | WASHER 5 | 2 | | |
| 5-023 | 500-33202-205 | RUBBER PIPE CAP | 1 | | |
| 5-024 | 678-00601-201 | RUBBER PIPE | 1 | | |
| 5-025 | 680-04019-210 | CLIP 7 | 1 | | |
| 5-026 | 675-04001-900 | PUMP FILTER BODY ASS'Y | 1 | | |
| 5-027 | 700-03005-175 | FUEL PIPE 3X5X175 | 1 | R -D006550 | |
| 5-027 | 700-03005-205 | FUEL PIPE, 3X5X205 | 1 | D006551- | |
| 5-028 | 133-0062T-210 | HEAT SHIELD | 1 | R -B078316 | |
| 5-028 | 132-0062W-201 | FLASH PAN | 1 | M | |
| 5-028 | 133-0062W-200 | HEAT SHIELD | 1 | B078317- | |
| 5-029 | 990-11040-101 | SCREW 4X10 | 1 | | |
| 5-030 | 992-10040-012 | S.WASHER 4 | 1 | | |
| 5-031 | 992-01040-011 | WASHER 4 | 1 | | |
| 5-035 | 990-11050-101 | SCREW 5X10 | 3 | | |
| 5-036 | 992-10050-012 | S.WASHER 5 | 3 | | |
| 5-037 | 990-11040-101 | SCREW 4X10 | 1 | | |
| 5-039 | 992-01040-011 | WASHER 4 | 1 | | |

FIG.6 GEAR CASE & CUTTER



| REF. NBR | PART NBR | PART NAME | QTY | SERIAL NBR | REMARKS |
|----------|---------------|----------------------------|-----|------------|----------|
| 6-001 | 300-33210-208 | GEAR CASE A | 1 | | |
| 6-002 | 301-33210-202 | GEAR CASE B | 1 | I | -F067900 |
| 6-002 | 301-33210-203 | GEAR CASE B | 1 | | F067901- |
| 6-003 | 303-33210-202 | GEAR CASE GASKET | 1 | | |
| 6-004 | 288-0062W-804 | CLUTCH HOUSING COMP. | 1 | | |
| 6-005 | 277-0062W-900 | CLUTCH ASS'Y | 1 | | |
| 6-006 | 346-0062W-200 | CLUTCH BOSS | 1 | | |
| 6-007 | 342-0062W-200 | CLUTCH SPRING | 2 | | |
| 6-008 | 339-0062W-201 | CLUTCH ARM FIXING PLATE | 1 | | |
| 6-009 | 992-01100-011 | WASHER 10 | 1 | | |
| 6-010 | 337-0062W-203 | CLUTCH NUT | 1 | | |
| 6-011 | 330-00200-210 | GEAR SHAFT SHIM 0.10 | V | | |
| 6-011 | 330-00200-220 | GEAR SHAFT SHIM 0.15 | V | | |
| 6-011 | 330-00200-230 | GEAR SHAFT SHIM 0.20 | V | | |
| 6-011 | 330-00200-240 | GEAR SHAFT SHIM 0.30 | V | | |
| 6-011 | 323-00200-200 | DRIVE SHAFT COLLAR | V | | |
| 6-012 | 100-33210-203 | CAM SHAFT | 1 | | |
| 6-013 | 307-00200-204 | GEAR 2 | 1 | | |
| 6-014 | 068-00300-200 | WOOD-RUFF KEY 3X10X3.7 | 1 | | |
| 6-015 | 101-33230-800 | CAM ROD COMP. | 2 | | |
| 6-016 | 014-35100-201 | SHAFT SHIM 1.0 (9.3X18) | V | | |
| 6-016 | 016-35100-201 | SHAFT SHIM 0.2 (9.3X18) | V | | |
| 6-017 | 999-61629-000 | BALL BEARING #629, 26MM/OD | 2 | | |
| 6-018 | 071-33202-200 | FIXING PLATE SPACER | 2 | | |
| 6-019 | 070-33202-200 | FIXING PLATE | 1 | | |
| 6-020 | 990-11050-101 | SCREW 5X10 | 2 | M | |
| 6-020 | 990-11050-121 | SCREW 5X12 | 2 | | |
| 6-021 | 085-33202-200 | GREASE SEAL A | 2 | | |
| 6-022 | 060-33210-200 | HANDLE DAMPER RUBBER | 2 | | |
| 6-023 | 176-0062W-201 | EARTH TERMINAL | 1 | | |
| 6-024 | 990-11050-221 | SCREW 5X22 | 4 | | |
| 6-025 | 992-10050-012 | S.WASHER 5 | 4 | | |
| 6-026 | 992-00050-011 | SMALL WASHER 5 | 4 | | |
| 6-027 | 990-21050-152 | HEX. BOLT 5X15 | 2 | R | -C085250 |
| 6-027 | 990-23050-156 | BOLT 5X15 | 2 | | C085251- |
| 6-028 | 992-21050-030 | OUTER TOOTHED WASHER 5 | 4 | | |
| 6-029 | 345-0062W-800 | CLUTCH SHOE COMP. | 2 | | |
| 6-030 | 051-33210-820 | HANDLE B COMP. | 1 | | |
| 6-031, 1 | 165-35100-202 | HANDLE GRIP | 1 | R | -F147891 |
| 6-031 | 165-33250-200 | HANDLE GRIP | 1 | | F147892- |
| 6-035 | 565-34301-200 | THRUST WASHER 12 | 2 | | -F067900 |
| 6-035 | 565-34301-200 | THRUST WASHER 12 | 1 | | F067901- |
| 6-037 | 212-33250-200 | GROMMET | 1 | M | F147892- |
| 6-041 | 122-33202-202 | CUTTER GUIDE, L-832.5 | 1 | | |
| 6-042 | 121-33202-203 | CUTTER B, L-825 | 1 | | |
| 6-043 | 120-33202-203 | CUTTER A, L-825 | 1 | | |
| 6-045 | 128-33202-200 | BLADE HOLDER | 1 | | |
| 6-046 | 991-01060-011 | NUT 6 | 2 | | |
| 6-047 | 992-10060-012 | S.WASHER 6 | 2 | | |
| 6-048 | 992-01060-011 | WASHER 6 | 2 | | |
| 6-049 | 124-33202-205 | CUTTER FIXING BOLT A | 4 | R | -D037770 |
| 6-049 | 124-33202-206 | CUTTER FIXING BOLT A | 4 | | D037771- |
| 6-050 | 129-33202-200 | WASHER 7 | 5 | R | -D037770 |
| 6-050 | 129-33202-201 | WASHER 7 | 5 | | D037771- |
| 6-051 | 992-10060-012 | S.WASHER 6 | 5 | | |
| 6-052 | 123-33202-200 | CUTTER FIXING NUT | 5 | | |
| 6-053 | 992-01060-011 | WASHER 6 | 1 | | |
| 6-054 | 125-33202-205 | CUTTER FIXING BOLT B | 1 | | |
| 6-055 | 110-0062W-200 | PLAIN BEARING | 1 | | |
| 6-056 | 200-33210-210 | GREASE NIPPLE | 1 | | |
| 6-057 | 990-11040-201 | SCREW 4X20 | 5 | | |
| 6-058 | 992-10040-012 | S.WASHER 4 | 5 | | |
| 6-059 | 992-00040-011 | SMALL WASHER 4 | 5 | | |
| 6-061 | 990-23050-156 | BOLT 5X15 | 2 | R | -C033284 |
| 6-061 | 990-51050-153 | HEX. HOLE BOLT 5X15 | 2 | | C033285- |
| 6-062 | 138-33215-201 | CUTTER COVER, L-773 | 1 | R | -D142726 |
| 6-062 | 138-33215-202 | CUTTER COVER, L-773 | 1 | | D142727- |

FIG.7 HANDLE

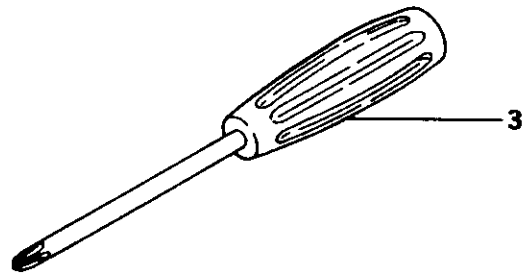
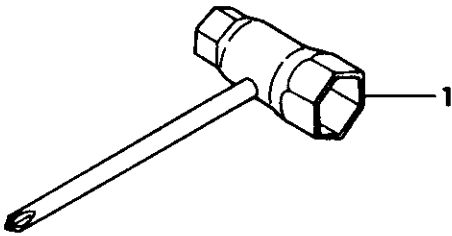
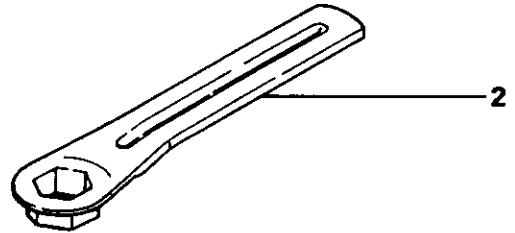
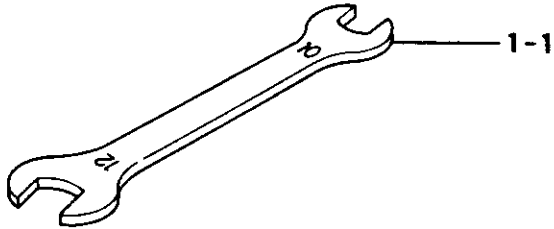


| REF. NBR | PART NBR | PART NAME | QTY | SERIAL NBR | REMARKS |
|----------|---------------|--------------------------------|-----|------------|---------|
| 7-001.1 | 165-35100-202 | HANDLE GRIP | 1 | -C132840 | |
| 7-001.2 | 053-33222-200 | HANDLE GRIP A | 1 | N C132841- | |
| 7-001.2 | 053-33222-200 | HANDLE GRIP A | 1 | R -C192852 | |
| 7-001.3 | 053-33222-201 | HANDLE GRIP A | 1 | R -D219800 | |
| 7-001.3 | 053-33222-202 | HANDLE GRIP A (SAFETY TRIGGER) | 1 | -F067900 | |
| 7-001 | 053-33222-220 | HANDLE GRIP A | 1 | N F067901- | |
| 7-002.1 | 054-33222-200 | HANDLE GRIP B | 1 | N C132841- | |
| 7-002.1 | 054-33222-200 | HANDLE GRIP B | 1 | R -C192852 | |
| 7-002.2 | 054-33222-201 | HANDLE GRIP B | 1 | R -D219800 | |
| 7-002.2 | 054-33222-202 | HANDLE GRIP B (SAFETY TRIGGER) | 1 | -F067900 | |
| 7-002 | 054-33222-220 | HANDLE GRIP B | 1 | N F067901- | |
| 7-003.1 | 870-0063A-900 | THROTTLE LEVER ASS'Y | 1 | -C132840 | |
| 7-003 | 230-33210-200 | THROTTLE LEVER | 1 | N C132841- | |
| 7-003 | 230-33210-200 | THROTTLE LEVER | 1 | I -F067900 | |
| 7-003 | 230-33210-201 | THROTTLE LEVER | 1 | F067901- | |
| 7-004 | 231-33210-200 | SAFETY LEVER | 1 | N C132841- | |
| 7-005 | 061-32600-200 | THROTTLE LEVER SPRING | 1 | N C132841- | |
| 7-005 | 061-32600-200 | THROTTLE LEVER SPRING | 1 | I -F067900 | |
| 7-005 | 061-32600-201 | THROTTLE LEVER SPRING | 1 | F067901- | |
| 7-006.1 | 156-33210-901 | STOP BUTTON ASS'Y | 1 | I -A350650 | |
| 7-006.1 | 156-33210-910 | STOP BUTTON ASS'Y | 1 | R -B078316 | |
| 7-006.1 | 156-33210-911 | STOP BUTTON ASS'Y | 1 | R -B120083 | |
| 7-006.1 | 156-33210-912 | STOP BUTTON ASS'Y | 1 | -C132840 | |
| 7-006.2 | 162-01300-900 | STOP SWITCH ASS'Y | 1 | N -F147891 | |
| 7-007.1 | 183-01300-200 | SWITCH NAME PLATE | 1 | -F147891 | |
| 7-007 | 925-32530-200 | STOP BUTTON MARK | 1 | N F147892- | |
| 7-008.1 | 319-43225-200 | EARTH TERMINAL | 1 | N C132841- | |
| 7-008.1 | 319-43225-200 | EARTH TERMINAL | 1 | -F147891 | |
| 7-008 | 319-37900-200 | EARTH TERMINAL | 1 | N F147892- | |
| 7-009 | 178-33222-800 | STOP CORD | 1 | N C132841- | |
| 7-009 | 178-33222-800 | STOP CORD | 1 | D F147892- | |
| 7-010 | 725-32600-202 | PUSH PIN CAP | 1 | N C132841- | |
| 7-011 | 064-32530-200 | PUSH PIN | 1 | N C132841- | |
| 7-012 | 066-32300-201 | STOPPER SPRING | 1 | N C132841- | |
| 7-013.1 | 993-41040-251 | HI-LO SCREW 4X25 | 3 | N C132841- | |
| 7-013.1 | 993-41040-251 | HI-LO SCREW 4X25 | 3 | -F067900 | |
| 7-013 | 990-11040-301 | SCREW 4X30 | 2 | N F067901- | |
| 7-014.1 | 993-41040-151 | HI-LO SCREW 4X15 | 2 | -C132840 | |
| 7-014.2 | 993-41040-151 | HI-LO SCREW 4X15 | 3 | N -F067900 | |
| 7-014 | 990-11040-251 | SCREW 4X25 | 1 | N F067901- | |
| 7-015.1 | 055-33222-900 | HANDLE GRIP ASS'Y | 1 | R -C132840 | |
| 7-015.2 | 055-33222-901 | HANDLE GRIP ASS'Y | 1 | R -D219800 | |
| 7-015.2 | 055-33222-902 | HANDLE GRIP ASS'Y | 1 | -F067900 | |
| 7-015.2 | 055-33222-903 | HANDLE GRIP ASS'Y | 1 | P -F147891 | |
| 7-015.2 | 055-33222-903 | HANDLE GRIP ASS'Y | 1 | R -F147891 | |
| 7-015 | 055-33222-904 | HANDLE GRIP ASS'Y | 1 | F147892- | |
| 7-016.1 | 050-33210-203 | HANDLE A | 1 | -C132840 | |
| 7-016 | 050-33222-200 | HANDLE A | 1 | N -F067900 | |
| 7-016 | 050-33222-200 | HANDLE A | 1 | R -F067900 | |
| 7-016 | 050-33222-201 | HANDLE A | 1 | R -F147891 | |
| 7-016 | 050-33222-202 | HANDLE A | 1 | F147892- | |
| 7-017.1 | 885-00764-800 | THROTTLE WIRE COMP. | 1 | -C132840 | |
| 7-017 | 885-33225-800 | THROTTLE WIRE COMP. | 1 | N C132841- | |
| 7-018 | 903-00207-201 | THROTTLE WIRE HOLDER | 1 | | |
| 7-019 | 990-11040-141 | SCREW 4X14 | 3 | N F067901- | |
| 7-020 | 992-10040-012 | S.WASHER 4 | 6 | N F067901- | |
| 7-021 | 992-00040-011 | SMALL WASHER 4 | 6 | N F067901- | |
| 7-022 | 991-74040-010 | U-NUT 4 | 6 | N F067901- | |
| 7-022 | 991-74040-010 | U-NUT 4 | 6 | I -F147891 | |
| 7-022 | 991-78040-010 | NYLON LOCK NUT 4 | 6 | F147892- | |
| 7-023 | 994-31030-101 | SCREW 3X10 | 1 | N F147892- | |
| 7-024 | 258-11600-200 | BUTTON STOP | 1 | N F147892- | |

- To be cont'd -

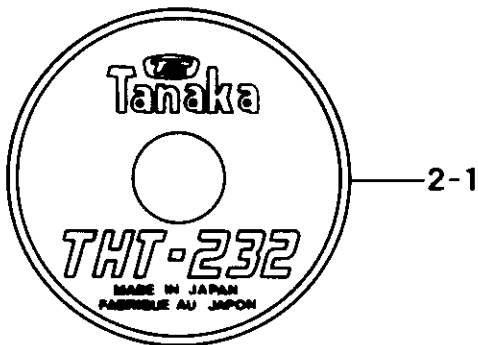
| REF. NBR | PART NBR | PART NAME | QTY | SERIAL NBR | REMARKS |
|----------|---------------|--------------------------|-----|------------|---------|
| 7-026 | 268-33210-205 | STOP BUTTON RUBBER COVER | 1 R | -B120083 | |
| 7-026 | 268-33210-210 | STOP BUTTON RUBBER COVER | 1 D | C132841- | |
| 7-027 | 640-33210-201 | STOP BUTTON BRACKET | 1 R | -B078316 | |
| 7-027 | 640-33210-202 | STOP SWITCH BRACKET | 1 D | C132841- | |
| 7-028 | 115-33210-200 | BRACKET | 2 I | -B028793 | |
| 7-028 | 115-33210-201 | BRACKET | 2 I | -B185090 | |
| 7-028 | 115-33210-202 | BRACKET | 2 D | C132841- | |
| 7-029 | 990-11040-161 | SCREW 4X16 | 1 D | C132841- | |
| 7-030 | 991-01040-011 | HEX. NUT 4 | 1 D | C132841- | |
| 7-031 | 990-11060-251 | SCREW 6X25 | 1 D | C132841- | |
| 7-032 | 162-01300-900 | STOP SWITCH ASS'Y | 1 D | C132841- | |

FIG.8 TOOLS

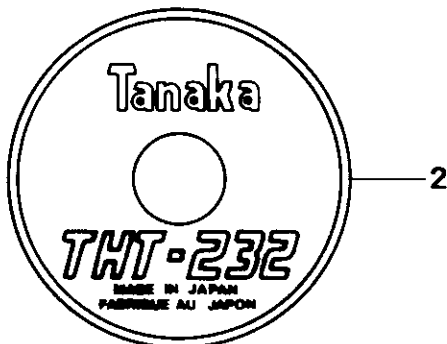


| REF. NBR | PART NBR | PART NAME | QTY | SERIAL NBR | REMARKS |
|----------|---------------|--------------------------------|-----|------------|---------|
| 8-001.1 | 804-20000-200 | SPANNER 10X12 | 1 | -D219800 | |
| 8-001 | 036-29331-501 | COMBI. BOX SPANNER 10X19 .PLUS | 1 | W D219801- | |
| 8-002 | 851-20000-201 | SPARK PLUG BOX SPANNER | 1 | D D219801- | |
| 8-003 | 862-20000-200 | PLUS DRIVER 4 | 1 | D D219801- | |

FIG.9 MARKS



IMPORTANT
 If this unit is not used regularly,
 please drain all fuel from fuel tank
 and carburetor after each use.
 Fuel Mixture Ratio GAS 25 : 1 OIL



IMPORTANT
 If this unit is not used regularly,
 please drain all fuel from fuel tank
 and carburetor after each USE.
 Fuel Mixture Ratio GAS 25 : 1 Oil

Si cette unité n'est pas utilisée régulièrement, il est
 recommandé de vider tout le combustible du réservoir
 de combustible et du carburateur après chaque usage.
 Rapport de mélange de combustible ESSENCE 25:1HUILE

| REF. NBR | PART NBR | PART NAME | QTY | SERIAL NBR | REMARKS |
|----------|---------------|--------------------|-----|------------|---------|
| 9-001.1 | 929-0608A-200 | SYMBOL MARK | 1 R | -F147891 | |
| 9-001 | 929-0608A-201 | SYMBOL MARK | 1 | F147892- | |
| 9-002.1 | 906-33227-201 | NAME PLATE | 1 R | -F147891 | |
| 9-002 | 906-33227-202 | NAME PLATE | 1 | F147892- | |
| 9-003.1 | 909-0141C-201 | MIXTURE RATIO MARK | 1 R | -F067900 | |
| 9-003 | 909-0141C-210 | MIXTURE RATIO MARK | 1 | F067901- | |

Free Manuals Download Website

<http://myh66.com>

<http://usermanuals.us>

<http://www.somanuals.com>

<http://www.4manuals.cc>

<http://www.manual-lib.com>

<http://www.404manual.com>

<http://www.luxmanual.com>

<http://aubethermostatmanual.com>

Golf course search by state

<http://golfingnear.com>

Email search by domain

<http://emailbydomain.com>

Auto manuals search

<http://auto.somanuals.com>

TV manuals search

<http://tv.somanuals.com>