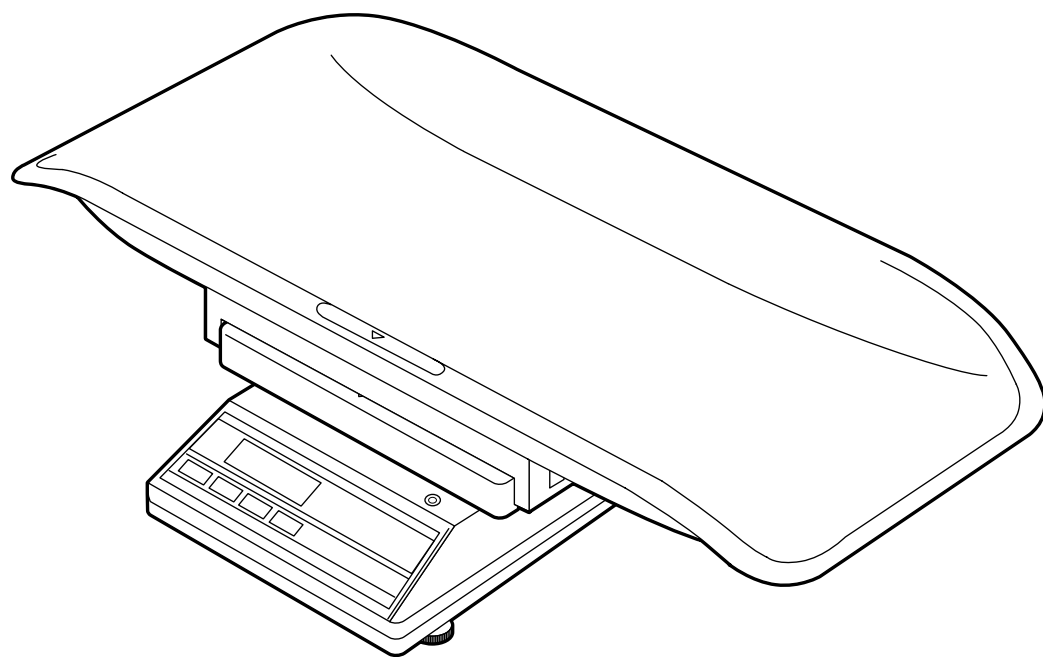


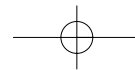
# TANITA



## ELECTRONIC SCALE FOR PAEDIATRIC / NEONATAL USE TL-150MA III INSTRUCTION MANUAL



Please read this Instruction Manual carefully and keep for future reference.



# Table of Contents

- Table of Contents .....3
- Applications .....4
- Safety Notes .....4
  - Caution Symbols .....4
  - ▲ Warning .....4
  - ▲ Caution .....4
  - ▲ [Maintenance] .....5
  - ▲ [Instructions for Measurement] .....5
  - <Usage Conditions> .....5
  - <Storage Conditions> .....5
  - <Power Source> .....5
- 1. Product Assembly and Components .....6**
  - Product Components .....6
  - How to Assemble the Equipment .....6
  - Control Panel .....7
  - Symbols and their Meanings .....7
- 2. Preparation for Use .....8**
  - Connection and Installation of the Equipment .....8
    - 1.Prepare Power Source .....8
    - 2.Level Adjustment .....8
- 3. Operating Instructions .....9**
  - Normal Measurement .....9
  - Tare Weighing Function .....10
  - Automatic Power off .....10
- 4. Troubleshooting .....11**
  - Troubleshooting .....11
- Specifications .....12

# Applications

1. This equipment has been calibrated as a precision instrument and can be used to certify babies' weights and/or to certify business transactions.
2. It can also be used to obtain reference data during medical examinations, such as periodic checkups, and to supervise babies' growth.

# Safety Notes

## Caution Symbols

In this Instruction Manual and the descriptions on the equipment, there are various caution symbols that will enable you to use this equipment safely and correctly so that harm to you, other people and loss of your property will be avoided.

The symbols and their meanings are as follows. Ensure you understand them well before proceeding with the Instruction Manual.

	<b>Warning</b>	This symbol indicates the risk of death or serious injury if the safety instructions are ignored and the equipment is mishandled.
	<b>Caution</b>	This symbol indicates the risk of physical injury and/or damage to the equipment if the safety instructions are ignored and the equipment is misused.
		This symbol indicates general precautions that should be taken when using this equipment.

## Warning

- To prevent electric shocks,  
Do not insert or remove the power plug with wet hands.
- To prevent fire hazards,  
Always use a correctly wired 230VAC, not multiple extension cords.
- To prevent the equipment toppling over, please make sure to fix the parts securely and accurately together. (See page 6 "How to Assemble the Equipment")

## Caution

- To prevent the spread of infections,  
Always clean the Weighing platform after use.  
Sterilize the platform with an appropriate alcohol-based cleaning fluid before each use.
- Installation of the equipment  
Ensure the weighing platform is placed on a level and stable surface. If the equipment is used when unstable, for example if not all feet are on a level surface, then there is a risk that scale will tip over and it will be impossible to obtain an accurate measurement.
- Measurement  
Always take the utmost care when placing a baby in the Baby Basket. Ensure that there is no risk of the equipment tipping over.  
To the equipment toppling over, always ensure that the weighing is properly supervised.
- AC adapter  
Ensure that the adapter supplied (MODEL: A30930G) is always used with this equipment. Other adapters may cause malfunctions.
- Battery  
When changing batteries, ensure that the new batteries are inserted with the correct polarity ⊕ and ⊖. If the polarity is incorrect, then the batteries may leak and damage the equipment.

- How to handle the equipment when moving it  
When carrying the equipment, please do not lift it up by the Baby Basket  
Please move the equipment by holding the main body firmly.
- The circuit board incorporates a fuse (100mA, 125V) for electronic equipment. If devices other than the original AC adapter are used or a large electrical current is applied, the fuse will be blown for safety purposes. If the fuse is blown, the unit must be inspected and repaired. As the fuse forms a fixed part of the unit and cannot be easily disassembled by the customer, please consult your nearest Tanita sales office or agent when the fuse needs to be replaced.
- Do not attempt to put fingers or objects between the inner plate and the scale unit to avoid injuries and malfunctions.

## [Maintenance]

This is a precision manufactured and accurately calibrated product, please observe the following instructions.

- Never disassemble or adjust the equipment, as this may cause malfunctions. The equipment should only be inspected in accordance with the regulations in each country.
- Do not apply excessive force to the equipment when assembling or when changing the batteries.
- Do not wipe the equipment with corrosive chemicals (benzine, cleaner, etc.). Please use a neutral detergent to clean the equipment.
- Avoid subjecting the equipment to excessive shocks or vibrations.
- When not in use for a long time, unplug the AC Adapter from the wall socket.
- When not in use for a long time, remove the batteries before storing the equipment.
- When transporting the equipment, use the box in which it was originally provided.
- When disposing of this unit, please do so in accordance with the prevailing regulations in each country.
- If an unauthorised person attempts to disassemble or repair any of the part, the warranty will become invalid. When the unit malfunctions, please consult your nearest Tanita sales office or agent.

## [Instructions for Measurement]

- Measurement may not be possible on a surface that is strongly vibrating. In such cases transfer the equipment to a stable surface with little or no vibration.
- When the equipment has been transferred to another location with a temperature difference of more than 20 °C, leave at least two hours before using.
- Do not use transmitters, such as mobile phones, near the equipment when in use. This may affect readings.
- Ensure that a clean towel or cloth is set on the baby basket when measuring a baby.

### <Usage Conditions>

Temperature Range for Use	: 5°C / 35°C
Relative Humidity	: 30% / 80% (without condensation)

### <Storage Conditions>

Temperature Range of Environment	: -10°C / 50°C
Range of Relative Humidity	: 10% / 90% (without condensation)
To avoid malfunctions, do not store the equipment in direct sunlight, significant temperature changes, the risk of dampness, a large amount of dust, in the vicinity of fires or where there is a risk of receiving vibrations or shocks.	

### <Power Source>

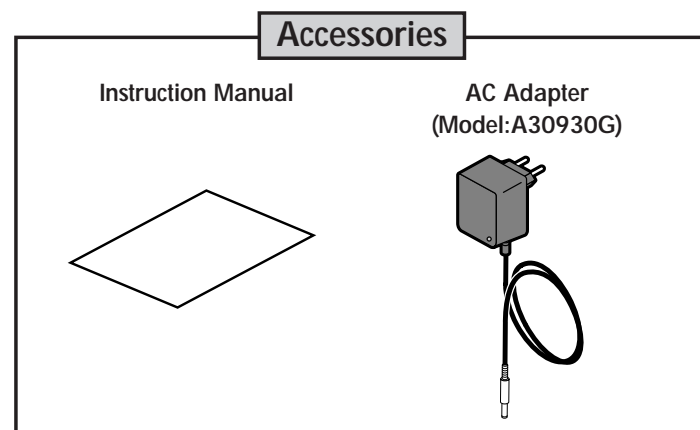
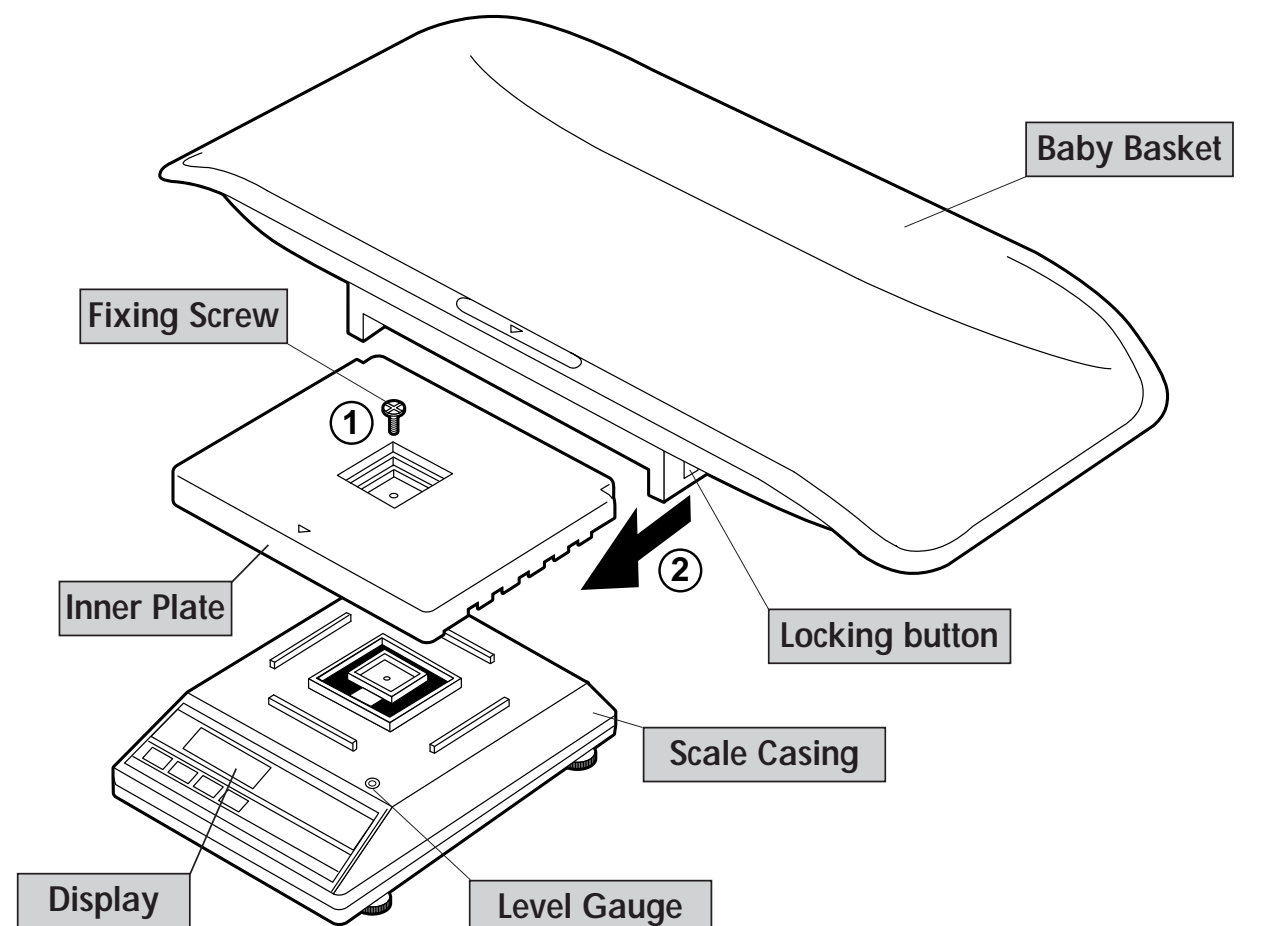
	Value Range
Voltage Range	230VAC
Frequency Range	50Hz
Electric Current Range	65mA

# 1.Product Assembly and Components



■ **Product Components** Ensure that the following components are included.

■ **How to Assemble the Equipment**



① Place the Inner Plate on the Scale Casing and fix it firmly with the Fixing Screws.

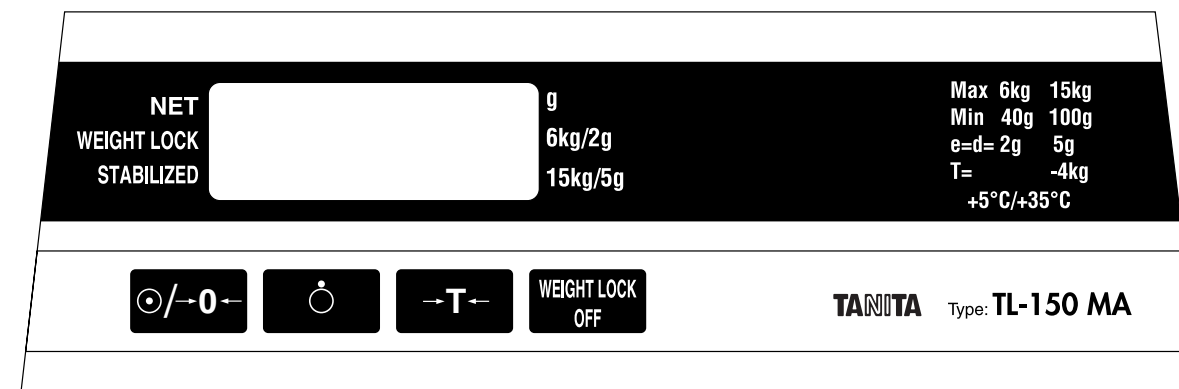
② Slide the Baby Basket from the rear of the Inner Plate to the front.

\* When removing the Baby Basket, please slide it to the rear while pushing the Locking button.

**Warning** Ensure that the parts are fixed securely and correctly to prevent the equipment from tipping over.



■ **Control Panel**



: Turn on the power of the Display and reset the Display to zero.

: Power off.

: Turn on the tare weighing function.

: "WEIGHT LOCK" function is deactivated.

NET : An arrow appears next to this icon when the tare weighing function is on.

WEIGHT LOCK : When the measurement becomes stable, an arrow will appear to the right of WEIGHT LOCK. When the "WEIGHT LOCK OFF" is pressed, the arrow will disappear.

STABILIZED : When the measurement becomes stable, an arrow will appear to the right of STABILIZED.

■ **Symbols and their Meanings**

	: The Display is switched on.		: Conformity with Medical Device Directive 93/42EEC		: Turns on the tare weighing function
	: Zero reset		: The Display is switched off.		: Type B applied part
	: Caution. Refer to this Instruction Manual		: Class II Equipment		: Direct Current

## 2. Preparation for Use

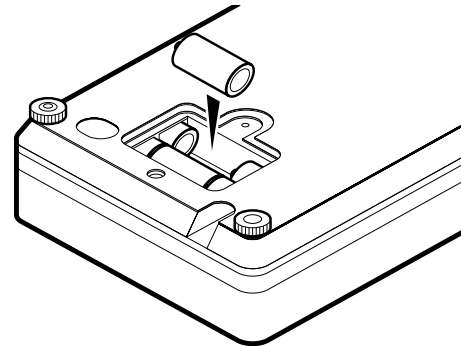
### ■ Connection and Installation of the Equipment

#### 1. Prepare Power Source

<When using dry cell batteries>

Please use six C alkaline manganese batteries (LR14) (not included).

Remove the lid of the Battery Compartment on the bottom of the Scale Unit Case, place batteries correctly as instructed inside the Battery Compartment and put the lid back on. If the batteries are running out, the Display will show **Lo**. In that case, please change all six batteries.



- ⚠ Do not apply excessive force to the equipment when assembling or when changing batteries.
- ⚠ When changing batteries, ensure that the new batteries are inserted with the correct polarity ⊕ and ⊖. If the polarity is incorrect, then the batteries may leak and damage the equipment.
- When not in use for a long time, remove the batteries before storing the equipment.

<When using the original AC adapter>

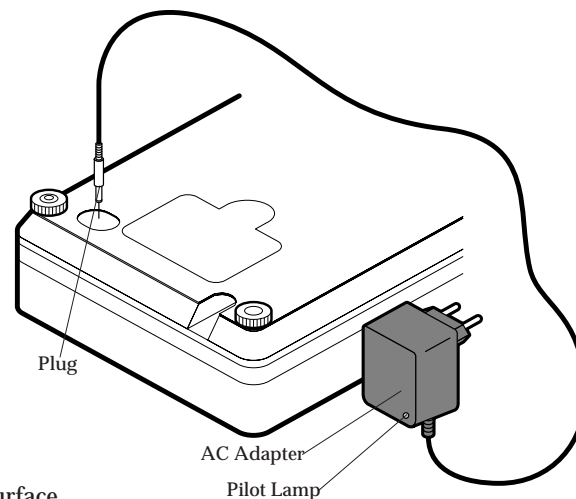
Connect the plug of the AC Adapter to the DC jack on the bottom of the Scale Casing and connect the AC Adapter to the wall outlet. Then confirm the Pilot Lamp on the AC Adapter lights up.

#### ⚠ Warning

- Do not insert or remove the plug with wet hands.
- Do not use the equipment near water.

#### ⚠ Caution

- Ensure that the adapter supplied (Model: A30930G) is always used with this equipment. Other adapters may cause malfunction.

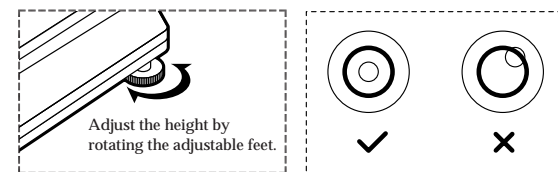


#### 2. Level Adjustment

For accurate measurement, place the unit on as flat a surface as possible and adjust the level with the four adjustable feet so the bubble in the level gauge is in the center of the frame.

#### ⚠ Caution

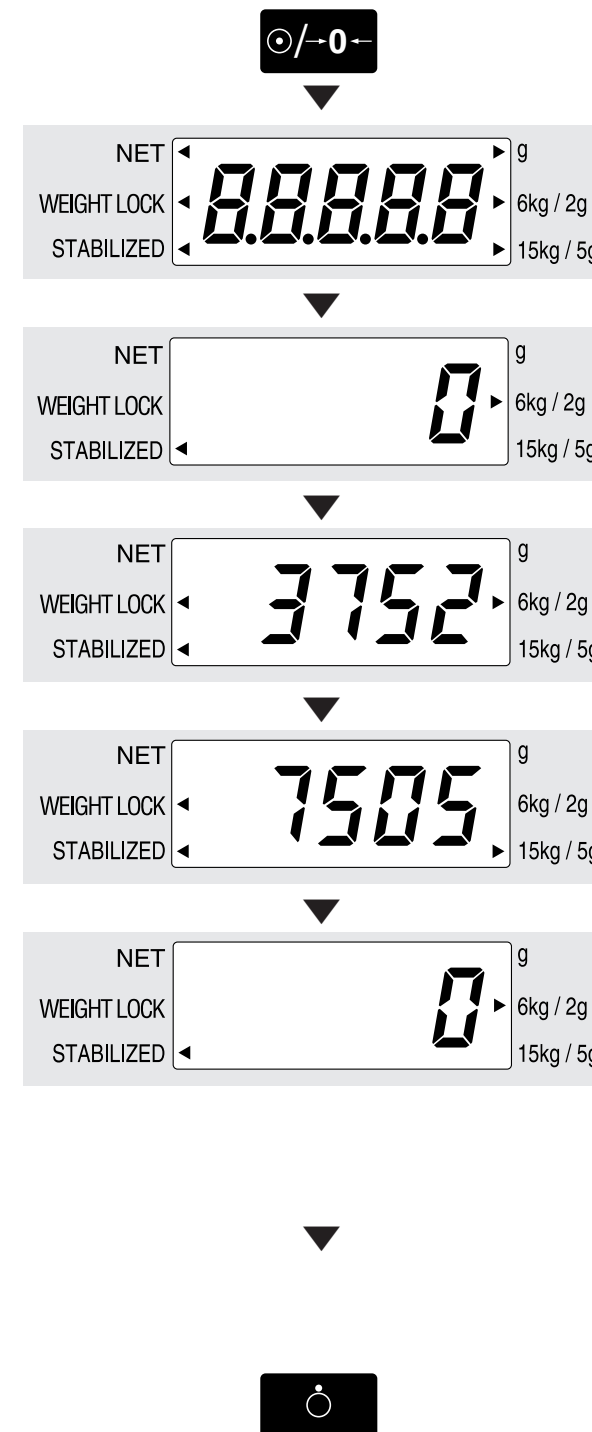
- Ensure the weighing platform is placed on a level and stable surface. If the equipment is used when unstable, for example if not all feet are on a level surface, then there is a risk that the scale will tip over and it will be impossible to obtain a measurement.



## 3. Operating Instructions

### ■ Normal Measurement (When Measuring without the Tare Weighing Function)

- ⚠ When the equipment has been transferred to another location with a temperature difference of more than 20 °C, leave at least two hours before using.
- Do not use transmitters, such as mobile phones, near the equipment when in use. This may affect readings.
- ⚠ The 6kg mode has a resolution of 2g and the 15kg mode has a resolution of 5g.
- If the weight exceeds 6kg, the mode will switch to the 15kg version automatically.



#### 1. Turn on the Power

Press the **[ON/OFF]** key.

**88888** will flash for four seconds on the Display.

**0** will be displayed and an arrow will appear next to the "STABILIZED" symbol.

#### 2. Put the Baby into the Baby Basket

An arrow (◀) will appear next to "STABILIZED" and the weight will be displayed. The weight will be automatically locked in when the weight of the baby is stabilized and an arrow (▶) will appear next to "WEIGHT LOCK".

If the weight exceeds 6kg, the mode will switch to the 15kg version automatically.  
\* "Weight Lock" function fluctuates and does not lock-in any numbers when the weight of the baby is less than 500g. To deactivate "WEIGHT LOCK" function, press "WEIGHT LOCK OFF" key during or after measurement. "WEIGHT LOCK" function will automatically reactivate for subsequent measurements.

#### 3. Measurement is Completed

Remove the baby from the Baby Basket. **0** will be displayed and ▶ will appear next to the "STABILIZED" symbol. The mode will set at the 6kg version automatically.

⚠ If **0** is not displayed, press the **[ON/OFF]** key.

#### 4. Subsequent Measurements

After confirming the **0** is displayed, place the baby into the Baby Basket.

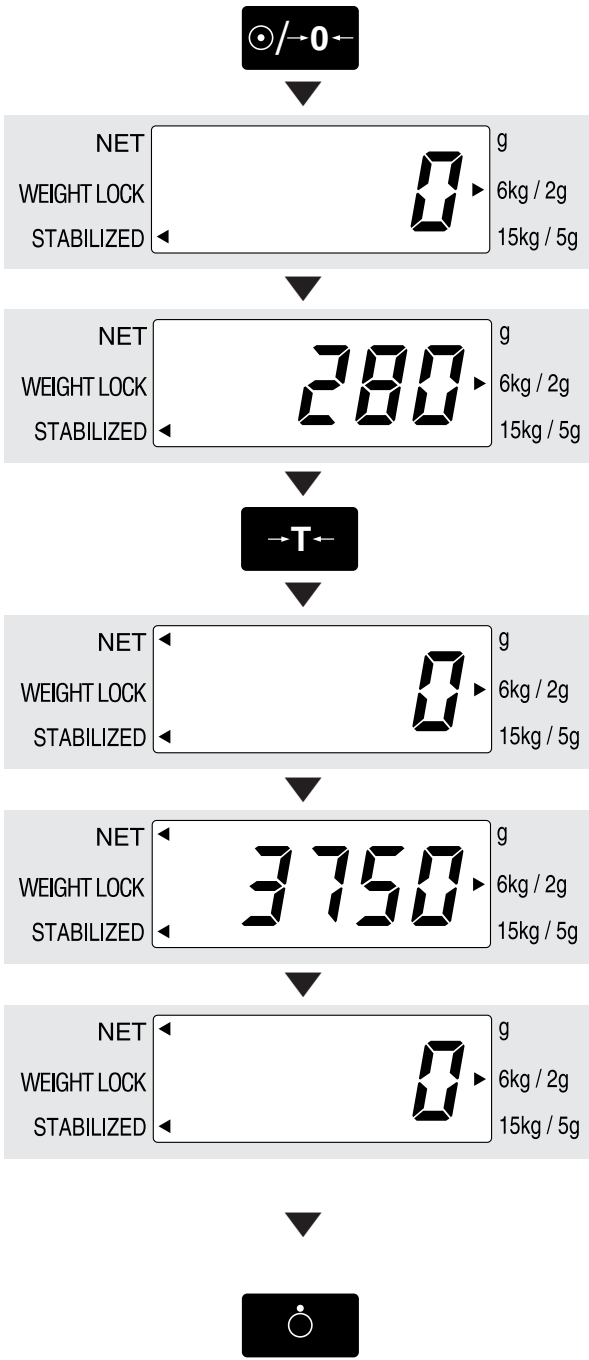
#### 5. Turn off the Power

Press the **[ON/OFF]** key.

# 4. Troubleshooting

## Tare Weighing Function (eg. Measurement if using Towels or Blankets)

- Tare weighing is possible only within the maximum tare weight. (4kg)
- When using the tare weighing function, the measurement range is reduced by the tare weight.  
 $[Measurement\ Range] = [Maximum\ Capacity] - [Tare\ Weight]$



- 1. Turn on the Power**  
Press the [ ] key.  
  
After flashes for four seconds on the display, will be displayed and ◀ will appear next to the "STABILIZED" symbol.
- 2. Place the baby's covering (towel, etc.) on the Baby Basket**  
An arrow (▶) will appear next to "STABILIZED" and the weight will be displayed.
- 3. Press the [ ] Key**  
 will be displayed and ◀ will appear next to "NET".
- 4. Place the Baby into the Baby Basket**  
An arrow (▶) will appear next to "STABILIZED" and the weight of the baby will be displayed.
- 5. Measurement is Completed**  
Remove the baby from the Baby Basket.  
 will be displayed and ◀ will appear next to "NET".
- 6. Subsequent Measurements**  
After confirming the is displayed, place the baby into the Baby Basket.
- 7. Turn off the Power**  
Press the [ ] key.

## Automatic Power off

This equipment has an automatic power off function that automatically turns off the power in order to reduce battery consumption.  
 If the equipment is not operated or the display does not change for ten minutes, the power will turn off automatically.

## Troubleshooting

If problems occur, please refer to the following instructions before you ask for repairs.

Problem	Solution
The unit does not turn on when the [  ] key is pressed.	<ul style="list-style-type: none"> <li>• When using the AC Adapter Ensure the AC Adapter cable is properly connected with the Display Unit. Ensure that the AC Adapter is correctly inserted in the mains socket.</li> <li>• When using cell batteries The batteries may have run out. confirm that the equipment is working by using the AC Adapter or new batteries.</li> </ul>
Measurement is not correct.	<ul style="list-style-type: none"> <li>• Check that all the adjustable feet are still resting on a flat surface after the level has been adjusted.</li> </ul>
Measurement does not stabilize. Display turns on and off.	<ul style="list-style-type: none"> <li>• Measurement may be impossible in the case of excessive vibration. Use the equipment in another location.</li> </ul>
is displayed.	<ul style="list-style-type: none"> <li>• It is possible that the maximum weight capacity has been exceeded.</li> <li>• Do not place a baby or objects into the Baby Basket before starting measurement. Start measurement after checking there is nothing in the Baby Basket.</li> </ul>



# Specifications

Model	TL-150MA
Power Source	AC adapter Centre minus MODEL A30930G CLASS 2 Input Voltage : 230VAC 50Hz 65mA Output Voltage : 9VDC±0.45VDC Rated Current : 300mA No Load Input Voltage : 12VDC±0.6VDC Alkali battery (LR14) x 6, (Not included)
Power Consumption	0.2W max.
Measurement System	Electrical resistance method
Maximum Capacity	6kg, 15kg
Minimum Graduation	6kg : 2g 15kg : 5g *Multiple range instrument
Accuracy at first calibration	6kg : ±4g 15kg : ±10g
Weighing Range	40g - 6kg 100g - 15kg
Maximum tare effect	4kg
Display	LCD (Liquid crystal) (Height of numerals 14mm)
Temperature Range of Usage	+5°C / +35°C
Relative Humidity	30 - 80% (without condensation)
Size	Baby basket
	Assembled Dimensions
Battery Life	approximately 300 hours of continuous use

The product meets all the requirements under the three standards below:

Safety Standard	: EN60601-1:1990, AM No.1:1993, AM No.2:1995 IEC60601-1:1988, AM No.1:1991, AM No.2:1995
EMC Standard	: EN-60601-1-2:1993 IEC60601-1-2:1993
Medical Device Directory Standard	: 93/42/EEC:1993

<Corporation Responsible in the EU Region>

## TANITA UK LTD.

The Barn, Philpots Close, Yiewsley,  
Middlesex,  
UB7 7RY, United Kingdom  
Tel : 01895-438577 Fax : 01895-438511  
<http://www.tanita.co.uk>

## TANITA

### TANITA Corporation

14-2,1-chome, Maeno-cho, Itabashi-ku  
Tokyo, Japan  
Tel: (03)3968-2123 / (03)3968-7048 Fax: (03)3967-3766

### TANITA Corporation of America, inc.

2625 South Clearbrook Drive  
Arlington Heights, Illinois 60005 U.S.A.  
Toll Free : (800) 826-4828  
Tel : 847-640-9241  
Fax : 847-640-9261  
<http://www.tanita.com>

### TANITA Health Equipment H.K.LTD.

Unit 301-303 3/F Wing On Plaza,  
62 Mody Road, Tsimshatsui East,  
Kowloon, Hong Kong  
Tel : +852-2838-7111  
Fax : +852-2838-8667

### TANITA Europe GmbH

Dresdener Strasse 25  
D-71065 Sindelfingen,  
Germany  
Tel : 07031-61896  
Fax : 07031-618971  
<http://www.tanita.de>

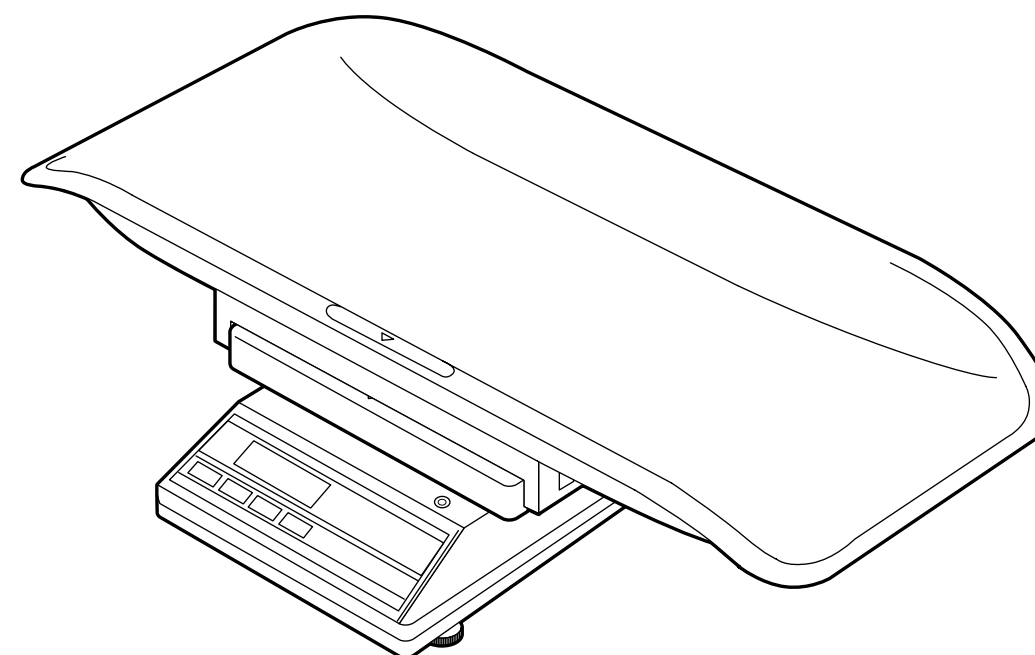
### TANITA France s.a.

Villa Labrouste  
68 Boulevard Bourdon,  
92200 Neuilly-Sur-Seine,  
France  
Tel : 01-55-24-99-99  
Fax : 01-55-24-98-68  
<http://www.tanita.fr>

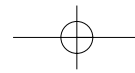
# TANITA

## ELEKTRONISCHE WAAGE FÜR KLEINKINDER UND SÄUGLINGE

### TL-150MA III BEDIENUNGSANLEITUNG



Bitte lesen Sie diese Bedienungsanleitung sorgfältig durch  
und bewahren Sie sie griffbereit auf.



# Inhaltsverzeichnis

<input type="checkbox"/> Inhaltsverzeichnis .....	15
<input type="checkbox"/> Anwendungen .....	16
<input type="checkbox"/> Sicherheitshinweise .....	16
Warnsymbole .....	16
▲ Warnung .....	16
▲ Vorsicht .....	16
▲ [Wartung] .....	17
▲ [Hinweise zur Messung] .....	17
<Betriebsbedingungen> .....	17
<Lagerbedingungen> .....	17
<Stromquelle> .....	17
<b>1. Zusammensetzen der Waage und ihre Bauteile .....</b>	<b>18</b>
■ Bauteile .....	18
■ Zusammenbau des Geräts .....	18
■ Bedienfeld .....	19
■ Symbole und ihre Bedeutungen .....	19
<b>2. Betriebsvorbereitungen .....</b>	<b>20</b>
■ Anschluss und Aufstellen der Waage .....	20
1. Anschluss der Stromquelle .....	20
2. Nivellierung der Waage .....	20
<b>3. Betriebsanleitung .....</b>	<b>21</b>
■ Normales Wiegen .....	21
■ Eigengewichtsfunktion .....	22
■ Automatisches Abstellen .....	22
<b>4. Fehlersuche .....</b>	<b>23</b>
■ Fehlersuche .....	23
<input type="checkbox"/> Spezifikationen .....	24



## Anwendungen




1. Dieses Gerät wurde als Präzisionsinstrument kalibriert und kann zur offiziellen Gewichtsmessung von Babys benutzt werden.
2. Es kann ebenso zum Erhalten von Referenzdaten in der Medizin benutzt werden, wie z.B. bei regelmäßigen Untersuchungen sowie für die Beobachtung des Wachstums von Babys.

## Sicherheitshinweise

### Warnsymbole

In dieser Bedienungsanleitung und in den Beschreibungen auf der Waage befinden sich unterschiedliche Warnsymbole, welche es Ihnen ermöglichen, die Waage sicher und korrekt zu bedienen. Jegliche Gefahrenquellen sowie resultierende Sachschäden werden hiermit vermieden.

Die Symbole und ihre Bedeutungen sind wie folgt. Stellen Sie sicher, daß diese vor dem Weitergehen in der Anleitung vollständig verstanden werden.

	<b>Warnung</b>	Dieses Symbol weist auf ein Risiko mit Todesfolge bzw. schweren Verletzungen hin, wenn die Sicherheitsvorschriften ignoriert werden und die Waage unzulässig gehandhabt wird.
	<b>Vorsicht</b>	Dieses Symbol weist auf ein Verletzungsrisiko sowie einen eventuellen Geräteschaden hin, wenn die Sicherheitsvorschriften ignoriert werden und die Waage unzulässig gehandhabt wird.
		Dieses Symbol weist auf allgemeine Sicherheitsvorschriften hin, die beim Betrieb dieser Waage zu beachten sind.

### Warnung

- Um Stromschläge zu vermeiden, darf der Netzstecker nicht mit nassen Händen angefaßt werden.
- Um einer Brandgefahr vorzubeugen, sind Kabel zu verwenden, die für 230 V Netzspannung vorgesehen sind (keine Universal-Verlängerungskabel).
- Um ein Umkippen des Geräts zu verhindern, stellen Sie bitte sicher, dass alle Teile fest und genau zusammengefügt sind. (Siehe Seite 18 "Zusammenbau des Geräts")

### Vorsicht

- Um das Verbreiten von Infektionen zu vermeiden, muss die Waagschale nach jeder Benutzung gereinigt werden. Die Waagschale muss vor jeder Benutzung mit einer auf Alkohol basierenden Reinigungsflüssigkeit behandelt werden.
- Beim Aufstellen der Waagen sicherstellen, dass die Waagen auf einer flachen und stabilen Ebene aufgestellt wird. Wenn die Waage auf einer instabilen Oberfläche aufgestellt wird (z.B. wenn nicht alle Füße aufsitzen), besteht das Risiko des Umkippens. Die Waage kann danach eventuell keine präzisen Messwerte mehr liefern.
- Messung  
Üben Sie besondere Vorsicht, wenn Babys auf die Waagschale (Spezialkonstruktion zum Wiegen von Babys) gelegt werden. Stellen Sie unbedingt sicher, dass die Waage dabei nicht umkippen kann. Um ein Umkippen zu vermeiden ist unbedingt sicherzustellen, dass der Wiegevorgang strikt überwacht wird.
- Netzadapter  
Bei dieser Waage darf nur der dafür mitgelieferte Netzadapter (Modell: A30930G) verwendet werden. Die Verwendung anderer Netzadapter kann zu Störungen führen.
- Batterie  
Beim Auswechseln der Batterien ist immer darauf zu achten, dass diese polaritätsrichtig eingesetzt werden. Wenn die Batterien falsch herum angeschlossen werden, kann es zum Auslaufen der Batterien bzw. zur Beschädigung der Waage kommen.

- Transport der Waage  
Wenn die Waage transportiert werden soll, darf diese niemals an der Waagschale angehoben werden. Die Waage muß hierfür immer am Waagengehäuse festgehalten werden.
- Die Schaltplatine ist zum Schutz der elektronischen Bauteile mit einer Sicherung (100 mA, 125 V) bestückt. Wenn ein anderer Netzadapter, als der mitgelieferte benutzt wird, oder wenn eine große Strommenge zugeführt wird, brennt die Sicherung aus Sicherheitsgründen durch. Sollte die Sicherung durchbrennen, muss die Waage überprüft und repariert werden. Da die Sicherung ein fester Bestandteil der Waage ist und durch den Kunden nicht einfach auszuwechseln ist, sprechen Sie bitte mit Ihrem nächsten Tanita-Verkaufsbüro.
- Stecken Sie keine Finger oder Gegenstände zwischen die Auflageplatte und die Waage, um Verletzungen bzw. Gerätestörungen zu vermeiden.

### [Wartung]

Bei diesem Erzeugnis handelt es sich um ein kalibriertes Präzisionsgerät. Befolgen Sie bitte daher die nachfolgenden Hinweise

- Die Waage darf niemals zerlegt oder eingestellt werden, da dies zu Störungen führen kann. Die Waage darf nur gemäß den örtlichen Richtlinien des betreffenden Verkaufsgebiets überprüft werden.
- Beim Aufstellen bzw. beim Auswechseln der Batterien darf keine übermäßige Kraft aufgewendet werden.
- Die Waage darf nicht mit scharfen Reinigungsmitteln behandelt werden (Benzin, Verdünner usw.). Verwenden Sie ein neutrales Reinigungsmittel.
- Die Waage darf keinen starken Stößen bzw. Vibrationen ausgesetzt werden.
- Wenn die Waage für längere Zeit nicht verwendet wird, muss der Netzadapter aus der Wandsteckdose entfernt werden.
- Wenn die Waage für längere Zeit nicht verwendet wird, müssen die Batterien vor dem Einlagern herausgenommen werden.
- Für den Transport der Waage ist die Originalverpackung zu verwenden.
- Wenn die Waage weggeworfen werden soll, muss dies gemäß den Richtlinien des jeweiligen Verkaufsgebiets erfolgen.
- Entsorgungsrichtlinien Ihrer Stadt/Gemeinde erfolgen.
- Bei einem Auseinandernehmen oder einer Reparatur des Geräts durch Unbefugte erlischt die Garantie. Sollte das Gerät Funktionsstörungen aufweisen, wenden Sie sich bitte an Ihre nächste Tanita-Verkaufsstelle bzw. -Vertretung.

### [Hinweise zur Messung]

- Wenn die Waage auf einer stark vibrierenden Unterlage steht, ist eventuell keine Messung möglich. Die Waage ist immer auf einer nicht vibrierenden Oberfläche aufzustellen (oder einer Oberfläche, die nur schwacher Vibration ausgesetzt ist).
- Wenn die Waage an einem anderen Ort aufgestellt wird, der einen Temperaturunterschied von mehr als 20°C aufweist, darf diese für mindestens zwei Stunden nicht benutzt werden.
- Keine Transmitter (z.B. Mobiltelefone) im unmittelbaren Wiegebereich benutzen. Die Messergebnisse können dabei verfälscht werden.
- Vor dem Wiegen des Babys muss ein sauberes Handtuch o.ä. auf die Waagschale gelegt werden.

#### <Betriebsbedingungen>

Betriebstemperatur	: 5°C / 35°C
Relative Luftfeuchtigkeit	: 30% / 80% (ohne Kondensation)

#### <Lagerbedingungen>

Umgebungstemperaturbereich	: -10°C / 50°C
Relativer Luftfeuchtigkeitsbereich	: 10% / 90% (ohne Kondensation)
Um Funktionsstörungen zu vermeiden, Gerät nicht direktem Sonnenlicht, größeren Temperaturschwankungen, Feuchtigkeit oder übermäßigem Staub aussetzen und nicht in der Nähe von offenem Feuer verwenden bzw. an Orten aufstellen, an denen das Gerät Vibrationen oder Stößen ausgesetzt ist.	

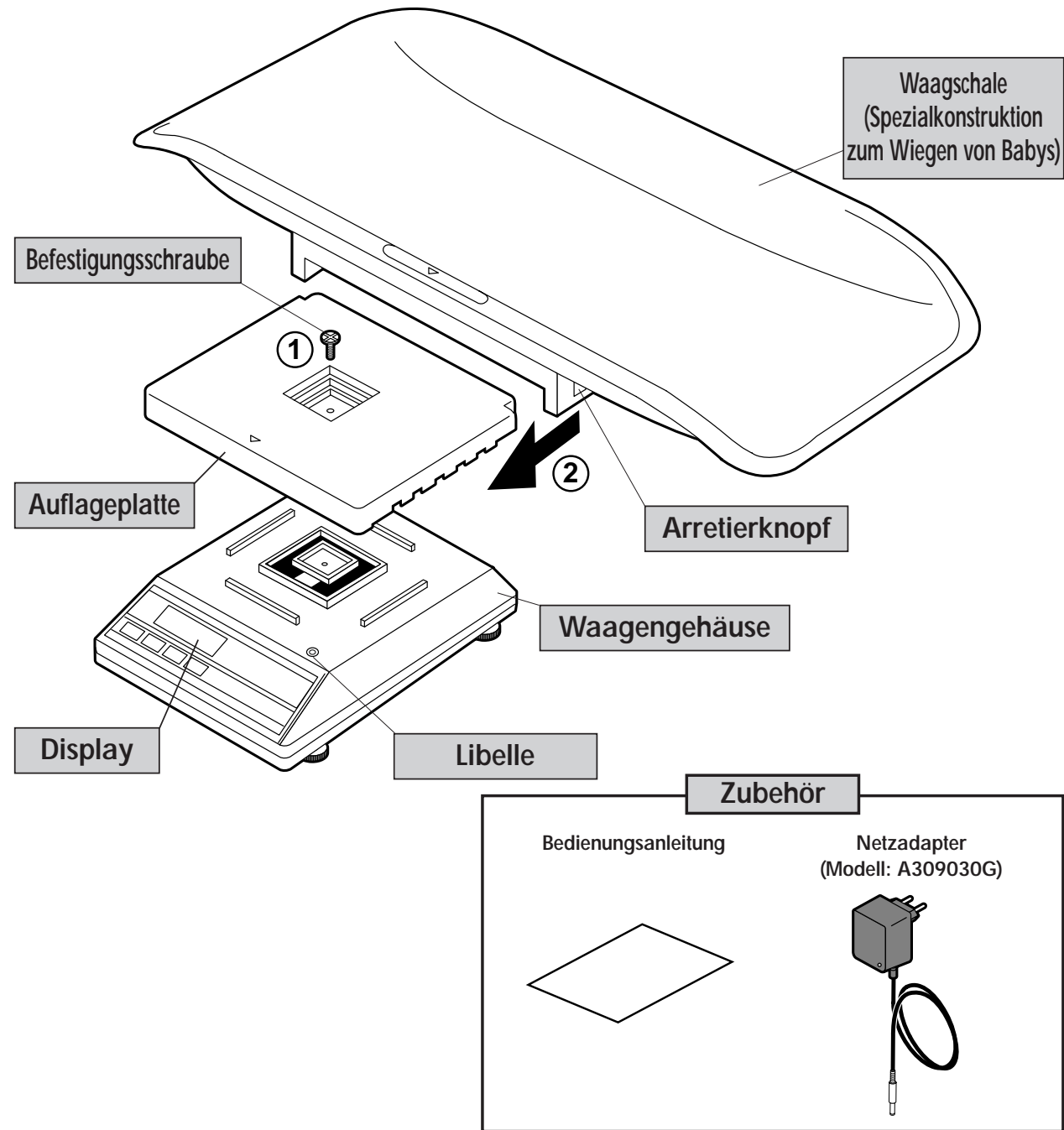
#### <Stromquelle>

	Messbereich
Netzspannungsbereich	230 V Netzspannung
Frequenzbereich	50Hz
Stromstärkebereich	65mA

# 1. Zusammenetzen der Waage und ihre Bauteile

**Bauteile** Stellen Sie sicher, dass sämtliche Bauteile enthalten sind.

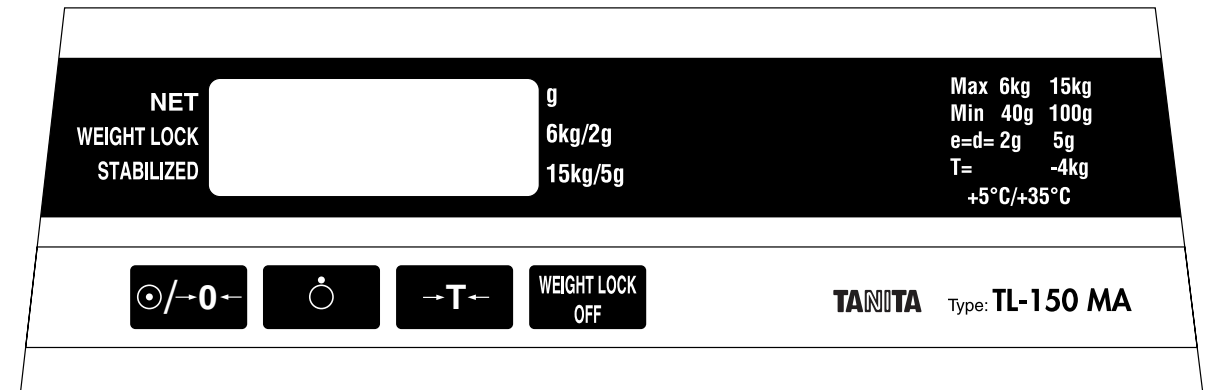
## Zusammenbau des Geräts



- ① Die Auflageplatte auf das Waagengehäuse aufsetzen und mit den Befestigungsschrauben gut festziehen.
- ② Nun die Waagschale von hinten auf die Auflageplatte schieben.  
\* Wenn die Waagschale entfernt werden soll, diese nach hinten schieben, während der Arretierknopf hineingedrückt wird.

**⚠️ Warnung** Sicherstellen, dass die Bauteile gut und korrekt befestigt sind, damit die Waage nicht umkippen kann.

## Bedienfeld



- : Das Display einschalten und auf Null zurückstellen.
- : Ausschalten.
- : Die Tara-Funktion aktivieren.
- : Funktion "WEIGHT LOCK" (Gewichtsarretierung) ist deaktiviert.

NET : Wenn die Tara-Funktion aktiviert ist, erscheint neben diesem Symbol ein Pfeil.

WEIGHTLOCK : Wenn sich die Messung stabilisiert hat, erscheint rechts von WEIGHTLOCK ein Pfeil.  
\* Wenn die Taste "WEIGHT LOCK OFF" (Gewichtsarretierung aus) gedrückt wird, erlischt der Pfeil.

STABILIZED (STABILISIERT) : Sobald sich das Gewicht stabilisiert hat, erscheint rechts neben STABILIZED ein Pfeil.

## Symbole und ihre Bedeutungen

	: Das Display ist aktiviert.		: Der Medizingeräte-Direktive 93/42/EEC angepaßt		: Die Wiegefunktion wird aktiviert.
	: Null-Rückstellung		: Das Display ist deaktiviert.		: Anwendungsteil (Typ B)
	: Vorsicht! Auf diese Bedienungsanleitung Bezug nehmen.		: Klasse-II-Ausrüstung		: Netzstrom

## 2. Betriebsvorbereitungen

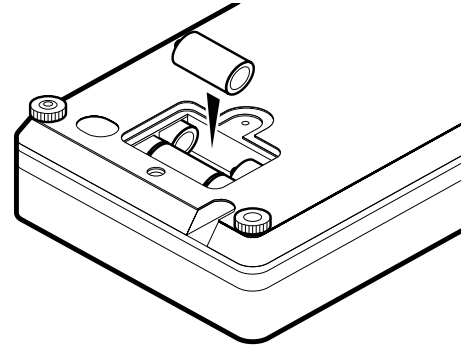
### ■ Anschluss und Aufstellen der Waage

#### 1. Anschluss der Stromquelle

<Bei Verwendung von Trockenbatterien>

Benutzen Sie sechs C-Manganbatterien (LR 14, nicht miteingeschlossen).

Öffnen Sie den Batteriefachdeckel an der Unterseite der Waage, setzen Sie die Batterien polaritätsrichtig ein (siehe Abbildung an der Innenseite des Batteriefachdeckels) und setzen Sie nach den Deckel wieder auf. Wenn die Batterien zu schwach sind, zeigt das Display **Lo** und **▶** neben dem Symbol **+** an. In diesem Fall müssen alle sechs Batterien ersetzt werden.



- ⚠ • Beim Aufstellen der Waage bzw. beim Auswechseln der Batterien darf keine übermäßige Kraft aufgewendet werden.
- Beim Auswechseln der Batterien ist immer darauf zu achten, dass diese polaritätsrichtig eingesetzt werden. Wenn die Batterien falsch herum angeschlossen werden, kann es zum Auslaufen der Batterien bzw. zur Beschädigung der Waage kommen.
- Wenn die Waage für längere Zeit nicht verwendet wird, müssen die Batterien vor dem Einlagern herausgenommen werden.
- Leere Batterien gehören nicht in den Hausmüll, bitte bringen Sie diese zu Ihrer örtlichen Entsorgungsstelle.

<Bei Verwendung des Original-Netzadapters>

Schließen Sie den Stecker des Netzadapters an die Gleichstrombuchse (DC) an der Unterseite der Waage an, und stecken Sie dann den Adapterstecker in die Wandsteckdose. Stellen Sie sicher, dass die Kontroll-Lampe leuchtet.

#### ⚠ Warnung

- Der Stecker darf nicht mit nassen Händen eingesteckt oder abgezogen werden.
- Die Waage darf nicht in unmittelbarer Wassernähe benutzt werden.

#### ⚠ Vorsicht

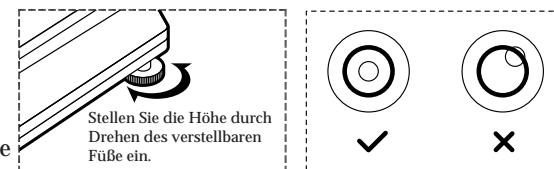
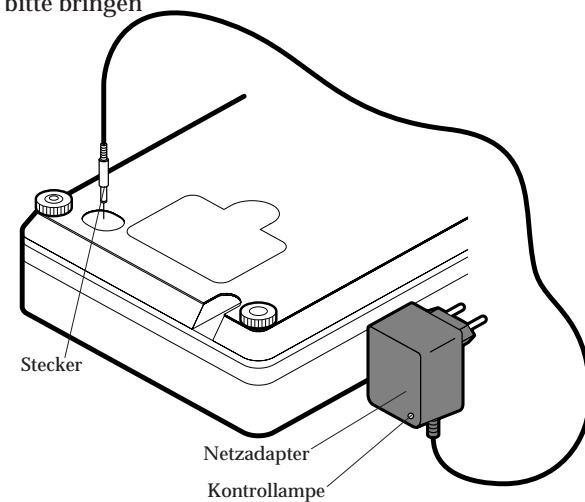
- Sicherstellen, dass der mitgelieferte Adapter (Modell: A30930G) immer mit dieser Waage zusammen benutzt wird. Andere Netzadapter können Störungen verursachen.

#### 2. Nivellierung der Waage

Um präzise Wiegungen vornehmen zu können, muss die Auflage der Waage möglichst horizontal sein. Stellen Sie daher die vier verstellbaren Füße so ein, dass die Blase in der Libelle mittig ausgerichtet ist.

#### ⚠ Vorsicht

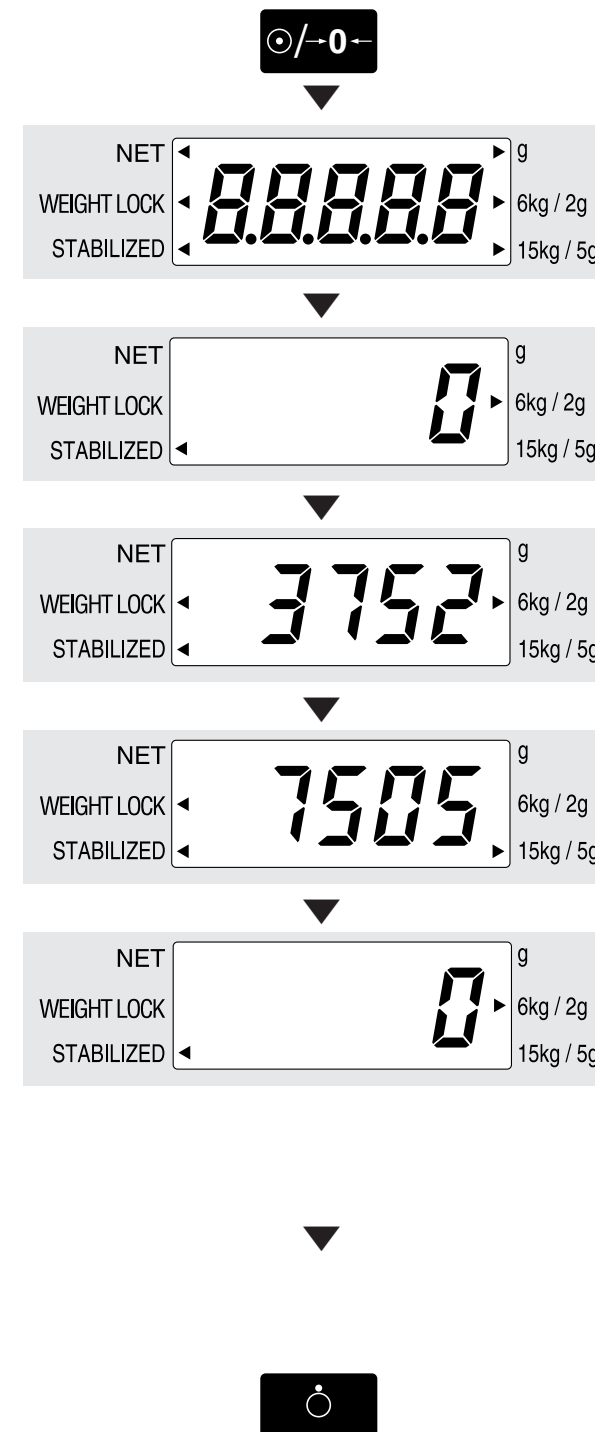
- Stellen Sie unbedingt sicher, dass die Waage auf einer ebenen und stabilen Oberfläche aufgestellt wird. Wenn die Waage nicht stabil aufsitzt, wenn z.B. nicht alle vier Füße den Boden berühren, besteht das Risiko, dass sie umkippt.



## 3. Betriebsanleitung

### ■ Normales Wiegen

- ⚠ • Sollten Sie das Gerät an einem anderen Ort aufstellen, an dem ein Temperaturunterschied von über 20°C herrscht, lassen Sie es vor Gebrauch mindestens zwei Stunden stehen.
- Keine Transmitter (z.B. Mobiltelefone) im unmittelbaren Wiegebereich benutzen. Die Messergebnisse können dabei verfälscht werden.
- ⚠ • Der 6kg-Modus verfügt über eine Einteilung von je 2g und der 15kg-Modus von je 5g.
- Liegt das Gewicht über 6kg, wird automatisch auf den 15kg-Modus umgeschaltet.



#### 1. Die Waage einschalten.

Hierfür die [**⊙/0-**] Taste drücken.

Auf der Anzeige blinkt vier Sekunden lang **0.0000** auf.

Auf der Anzeige erscheint **0** mit einem Pfeil (◀) neben dem Symbol "STABILIZED".

#### 2. Legen Sie das Baby in die Waagschale

Neben "STABILIZED" erscheint ein Pfeil (◀) und das Gewicht wird angezeigt.

Sobald sich das Gewicht des Babys stabilisiert hat und ein Pfeil (◀) neben "WEIGHT LOCK" erscheint, wird das Gewicht automatisch arretiert.

Liegt das Gewicht über 6kg, wird automatisch auf den 15kg-Modus umgestellt.

\* Liegt das Gewicht des Babys unter 500g, schwankt die Funktion "Weight Lock" und es wird kein Gewicht arretiert.

Um die Weight Lock (Gewichtsfixierung) auszuschalten, drücken Sie während der Wiegung die Taste "WEIGHT LOCK OFF".

Sobald das Gewicht wieder auf "0,0 Kg" steht, schaltet sich die Weight lock Funktion automatisch wieder ein.

#### 3. Wiegen beendet

Nehmen Sie das Baby aus der Waagschale.

Auf der Anzeige erscheint nun **0** mit einem Pfeil (◀) neben dem Symbol "STABILIZED". Es wird automatisch der 6kg-Modus eingestellt.

⚠ Sollte **0** nicht erscheinen, drücken Sie auf die Taste [**⊙/0-**].

#### 4. Nachfolgendes Wiegen

Sobald auf der Anzeige wieder **0** erscheint, legen Sie das Baby in die Waagschale.

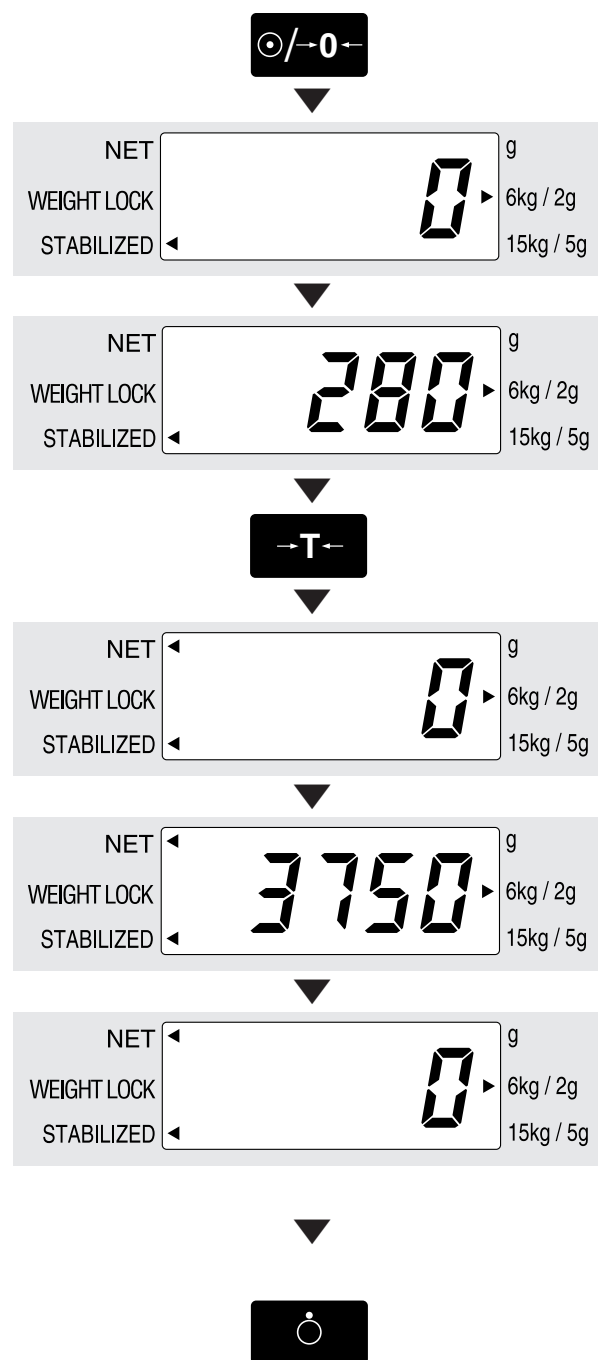
#### 5. Die Waage ausschalten.

Hierfür die [**⊙**] Taste drücken.

## 4. Fehlersuche

### Eigengewichtsfunktion

- Die Eigengewichtsfunktion lässt sich nur bis zu einem maximalen Eigengewicht (4kg) verwenden.
- Wenn die Tara-Wiegefunktion benutzt wird, wird der Meßbereich um das Taragewicht reduziert.  
[Meßbereich] = [max. Kapazität] - [Taragewicht]



#### 1. Gerät anstellen

Drücken Sie auf die Taste [0/->].

Auf der Anzeige blinkt vier Sekunden lang **88888** auf. Danach erscheint **0** und ein Pfeil neben dem Symbol "STABILIZED".

#### 2. Babydecke oder -handtuch auf die Waagschale legen.

Neben "STABILIZED" erscheint nun ein Pfeil (◀) und das Gewicht wird angezeigt.

#### 3. Die [T] Taste drücken.

Es wird **0** angezeigt, während ◀ neben "NET" erscheint.

#### 4. Legen Sie das Baby in die Waagschale

Auf der Anzeige erscheint neben dem Symbol "STABILIZED" ein Pfeil (◀) und das Gewicht des Babys wird angezeigt.

#### 5. Beendigung der Messung.

Nachdem Sie das Baby aus der Waagschale gehoben haben, wird **0** angezeigt, während ◀ neben "NET" erscheint.

#### 6. Nachfolgendes Wiegen

Sobald auf der Anzeige wieder **0** erscheint, legen Sie das Baby in die Waagschale.

#### 7. Die Waage ausschalten.

Hierfür die [0/->] Taste drücken.

### Automatisches Abstellen

Dieses Gerät besitzt eine automatische Abstellfunktion, um die Batterien zu schonen.

Bleibt das Gerät über einen Zeitraum von zehn Minuten unbenutzt bzw. die Anzeige unverändert, stellt sich das Gerät automatisch ab.

### Fehlersuche

Wenn Probleme auftreten, überprüfen Sie bitte die folgenden Punkte, bevor Sie Ihren Kundendienst aufsuchen.

Störung	Abhilfe
Die Waage lässt sich nicht aktivieren, wenn die [0/->] Taste gedrückt wird.	<ul style="list-style-type: none"> <li>Bei Verwendung eines AC-Adapters Vergewissern Sie sich, dass das Kabel des AC-Adapters sicher am Gerät angeschlossen ist. Stellen Sie sicher, dass der AC-Adapter richtig in der Netzsteckdose steckt.</li> <li>Bei Verwendung von Batterien Möglicherweise sind die Batterien leer. Vergewissern Sie sich mittels eines AC-Adapters oder neuer Batterien, dass das Gerät richtig funktioniert.</li> </ul>
Es werden falsche Messergebnisse erzielt.	<ul style="list-style-type: none"> <li>Überprüfen Sie, ob die verstellbaren Füße nach einer Höhenverstellung noch auf ebener Fläche stehen.</li> </ul>
Gewicht stabilisiert sich nicht. Anzeige stellt sich an und ab.	<ul style="list-style-type: none"> <li>Das Wiegen kann auf Grund übermäßiger Vibrationen unmöglich sein. Stellen Sie das Gerät an einem anderen Ort auf.</li> </ul>
Es wird <b>-----</b> angezeigt.	<ul style="list-style-type: none"> <li>Möglicherweise wurde das Höchstgewicht überschritten.</li> <li>Das Baby bzw. die Gegenstände nicht vor dem Wiegevorgang in die Waagschale legen. Bevor Sie mit dem Wiegevorgang beginnen, überprüfen Sie, ob nichts in der Waagschale liegt.</li> </ul>



# Spezifikationen

Modell	TL-150MA	
Stromquelle	Netzadapter "innen Minus" ± Modell: A30930G Klasse 2 Eingangsspannung : 230 V Netzspannung 50 Hz 65 mA Ausgangsspannung : 9 V Gleichspannung ±0.45 V Nennstrom : 300 mA Eingangsspannung (ohne Last) : 12 V Gleichspannung ±0.6 V Alkalibatterie (LR14) x 6, (nicht miteingeschlossen)	
Leistungsaufnahme	0.2W max.	
Wiegesystem	DMS	
Maximale Gewichtsbelastung	6kg , 15kg	
Kleinste Gewichtseinteilung	6kg : 2g 15kg : 5g *Mehrbereichsgerät	
Genauigkeit bei Erstabgleich	6kg : ±4g 15kg : ±10g	
Gewichtsbereich	40g - 6kg 100g - 15kg	
Maximales Eigengewicht	4kg	
Display	LCD (Flüssigkristallanzeige) (Höhe der Ziffern: 14 mm)	
Bereich der Betriebstemperatur	+5°C / +35°C	
Relative Luftfeuchtigkeit	30 - 80% (ohne Kondensation)	
Abmessungen	Waagschale	564 x 276 x 105 (mm)
	Im zusammengesetzten Zustand	564 x 330 x 190 (mm)
Batterielebensdauer	ca. 300 Stunden bei Dauerbetrieb	

Dieses Produkt entspricht allen Anforderungen der nachfolgenden drei Standards:  
 Sicherheitsstandard : EN60601-1:1990, AM No.1:1993, AM No.2:1995  
 IEC60601-1:1998, AM No.1:1991, AM No.2:1995  
 EMC-Standard : EN-60601-1-2:1993  
 IEC60601-1-2:1993  
 Medizingeräte-Direktive-Standard :93/42/EEC:1993

<Corporation Responsible in the EU Region>

## TANITA UK LTD.

The Barn, Philpots Close, Yiewsley,  
 Middlesex,  
 UB7 7RY, United Kingdom  
 Tel : 01895-438577 Fax : 01895-438511  
<http://www.tanita.co.uk>

## TANITA

### TANITA Corporation

14-2,1-chome, Maeno-cho, Itabashi-ku  
 Tokyo, Japan  
 Tel:(03)3968-2123 / (03)3968-7048 Fax:(03)3967-3766

### TANITA Corporation of America, inc.

2625 South Clearbrook Drive  
 Arlington Heights, Illinois 60005 U.S.A.  
 Toll Free : (800) 826-4828  
 Tel : 847-640-9241  
 Fax : 847-640-9261  
<http://www.tanita.com>

### TANITA Health Equipment H.K.LTD.

Unit 301-303 3/F Wing On Plaza,  
 62 Mody Road, Tsimshatsui East,  
 Kowloon, Hong Kong  
 Tel : +852-2838-7111  
 Fax : +852-2838-8667

### TANITA Europe GmbH

Dresdener Strasse 25  
 D-71065 Sindelfingen,  
 Germany  
 Tel : 07031-61896  
 Fax : 07031-618971  
<http://www.tanita.de>

### TANITA France s.a.

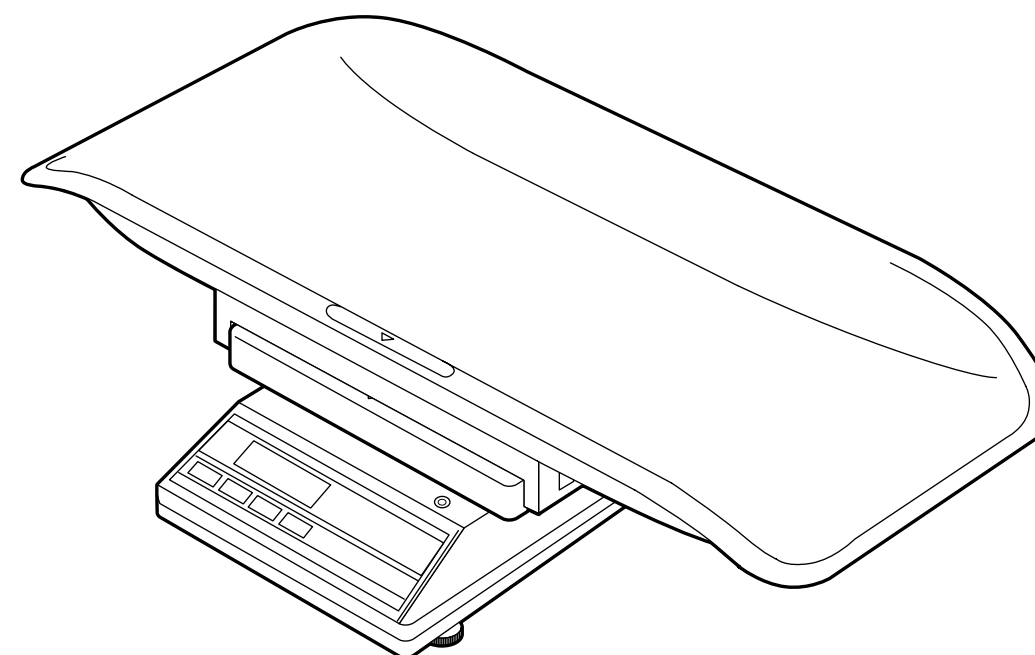
Villa Labrouste  
 68 Boulevard Bourdon,  
 92200 Neuilly-Sur-Seine,  
 France  
 Tel : 01-55-24-99-99  
 Fax : 01-55-24-98-68  
<http://www.tanita.fr>

TL1507001(1)

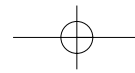
# TANITA

## PESE-BEBE ELECTRONIQUE UTILISATION EN MILIEU PEDIATRIQUE ET NEONATAL

### TL-150MA III MODE D'EMPLOI



Veuillez lire attentivement ce mode d'emploi, et le conserver soigneusement afin de pouvoir vous y référer ultérieurement.



## Table des matières

□ Table des matières .....	27
□ Applications .....	28
□ Précautions d'emploi .....	28
Signification des symboles .....	28
⚠ Danger .....	28
⚠ Attention .....	28
⚠ [Entretien] .....	29
⚠ [Conditions d'utilisation] .....	29
<Conditions d'utilisation> .....	29
<Conditions de stockage> .....	29
<Alimentation électrique> .....	29
1. Composition et assemblage de l'appareil .....	30
■ Composants de l'appareil .....	30
■ Assemblage de l'appareil .....	30
■ Panneau de commandes .....	31
■ Descriptif des fonctions .....	31
2. Avant l'utilisation .....	32
■ Connexion et installation du matériel .....	32
1. Préparer la source d'alimentation électrique .....	32
2. Réglage de la mise à niveau .....	32
3. Instructions d'utilisation .....	33
■ Mesure normale .....	33
■ Fonction de tare .....	34
■ Fonction d'arrêt automatique .....	34
4. Dépannage .....	35
■ Dépannage .....	35
□ Caractéristiques .....	36



## Applications




1. Cet équipement est calibré comme un instrument de précision et peut être utilisé pour certifier le poids des nouveaux-nés et des bébés.
2. Il peut également être utilisé en vue d'obtenir des données de référence durant les examens médicaux tels que les contrôles de santé périodiques, et pour surveiller la croissance des bébés.

## Précautions d'emploi

### Signification des symboles

Dans ce mode d'emploi et dans les indications portées sur l'appareil, on a utilisé divers symboles de mise en garde qui vous permettront d'utiliser celui-ci correctement et dans de bonnes conditions de sécurité afin d'éviter de vous blesser, de blesser d'autres personnes ou de provoquer des dégâts matériels.

Les symboles utilisés et leur signification sont décrits ci-dessous.

	<b>Danger</b>	Ce symbole indique un danger de mort ou de blessures graves si on n'observe pas les consignes de sécurité ou que l'on utilise l'appareil d'une manière incorrecte.
	<b>Attention</b>	Ce symbole indique le risque de dommages corporels et/ou d'endommagement de l'appareil si on n'observe pas les consignes de sécurité ou que l'on utilise l'appareil d'une manière incorrecte.
		Ce symbole indique des précautions d'ordre général que l'on doit prendre lorsque l'on utilise cet appareil.

### Danger

- Afin de prévenir les risques d'électrocution, ne pas introduire ou retirer la prise de courant avec les mains mouillées.
- Afin de prévenir les risques d'incendie, utiliser une installation électrique correctement branchée 220 V c.a. et pas de cordon électrique à extensions multiples.
- Pour éviter à l'appareil de basculer lors de la pesée, assurez-vous que l'ensemble des éléments sont fixés correctement (reportez-vous à la rubrique Assemblage de l'appareil, page 30)

### Attention

- Afin d'éviter les risques de contamination de maladies infectieuses, il faut toujours nettoyer et aseptiser le plateau de pesage avant emploi. Stériliser le plateau avec un produit désinfectant à base d'alcool avant chaque usage.
- Installation de l'appareil  
S'assurer que le plateau de pesée est bien à niveau et posé sur une surface stable et plane. En cas d'instabilité, la balance risque de bouger ou de se renverser, et de ne pas donner de résultats fiables.
- Mesure  
Prendre toujours les plus grandes précautions possibles lorsque l'on pose le bébé dans le panier. S'assurer qu'il n'existe aucun risque de basculement.
- Adaptateur c.a.  
S'assurer que l'on utilise toujours, avec cet appareil, l'adaptateur (Modèle: A30930G) fourni. L'utilisation d'autres adaptateurs que celui spécifié risque de provoquer des dérangements.
- Piles  
Lorsque l'on procède au remplacement des piles, s'assurer que les piles ont été insérées (avec la polarité ⊕ et ⊖ correctement). Si la polarité est incorrecte, il y a un risque que les piles fuient et provoquent des dégâts à l'appareil.

- Comment manipuler l'appareil lorsqu'on le déplace  
Quand on transporte l'appareil, il ne faut pas le tenir par le panier. Veuillez déplacer l'appareil en le tenant fermement par sa base.
- La plaquette de circuits imprimés contient un fusible (100 Am 125 V pour l'équipement électronique). Si on utilise des dispositifs autres que l'adaptateur c.a. d'origine ou si on utilise un courant électrique puissant, le fusible sautera pour des raisons de sécurité. Comme le fusible est fixé l'intérieur de l'appareil, veuillez consulter le revendeur Tanita le plus proche de chez vous lorsque le fusible doit être remplacé.
- Ne pas essayer d'introduire les doigts ou un objet entre le plateau intérieur et le socle de la balance car ceci risquerait de provoquer des blessures ou des dégâts à l'appareil.

### [Entretien]

- Ne jamais démonter ou régler l'appareil, cela pourrait provoquer des dérangements. L'appareil doit être révisé uniquement en conformité avec la réglementation de chaque pays concerné.
- Ne pas exercer de pression excessive sur l'appareil lorsqu'on l'installe ou que l'on remplace les piles.
- Ne pas nettoyer l'appareil avec des produits chimiques corrosifs (benzène, détergent, etc.). Veuillez utiliser un produit détergent neutre.
- Ne pas soumettre l'appareil à des chocs ou vibrations excessifs.
- Lorsque l'appareil n'est pas utilisé pendant une période prolongée, débrancher l'adaptateur a.c. de la prise murale secteur.
- Lorsque l'appareil n'est pas utilisé pendant une période prolongée, enlever les piles avant de ranger l'appareil.
- Lorsque l'on transporte l'appareil, utiliser l'emballage d'origine.
- Lorsque l'on jette l'appareil, veuillez le faire en respectant les dispositions de la réglementation en vigueur de chaque pays concerné.
- En cas de mauvais fonctionnement, veuillez vous adresser à votre revendeur Tanita. Toute tentative de réparation ou de démontage effectuée par une personne non autorisée annule automatiquement la garantie attachée à ce produit.

### [Conditions d'utilisation]

- Les mesures ne sont pas possibles sur une surface qui vibre fortement.
- Quand l'équipement a été déplacé vers un autre endroit avec une différence de température de plus de 20°C, veuillez laisser l'appareil tel quel avant de l'utiliser.
- Ne pas utiliser d'appareils de transmission, tels que des téléphones mobile, à proximité de l'équipement lorsqu'il est en service, car cela risque d'affecter la lecture des données affichées.
- S'assurer qu'une serviette ou un tissu propre recouvre le panier lorsque l'on procède à la pesée d'un bébé.

#### <Conditions d'utilisation>

Plage de la température d'utilisation	: 5°C / 35°C
Humidité relative	: 30% / 80% (sans condensation)

#### <Conditions de stockage>

Températures du lieu de stockage de l'appareil	: -10°C / 50°C
Humidité relative	: 10% / 90% (sans condensation)
Pour maintenir l'appareil dans des conditions optimales d'utilisation, évitez toute exposition directe aux rayons du soleil ou à proximité d'une source de chaleur. Evitez de placer l'appareil dans des endroits: très humides présentant des variations de température importantes particulièrement possible.	
Conservez l'appareil à l'abri des vibrations et des chocs.	

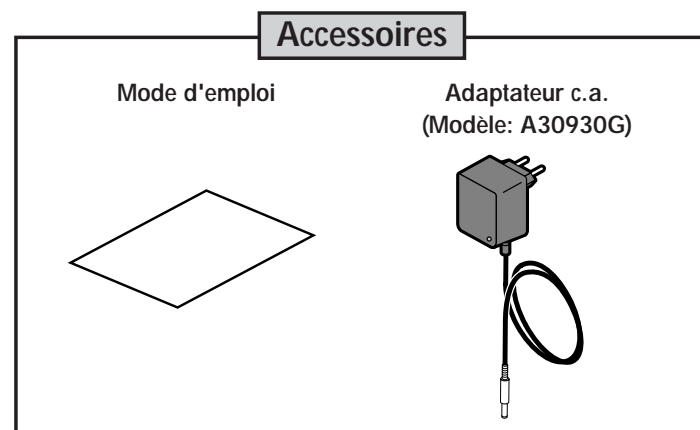
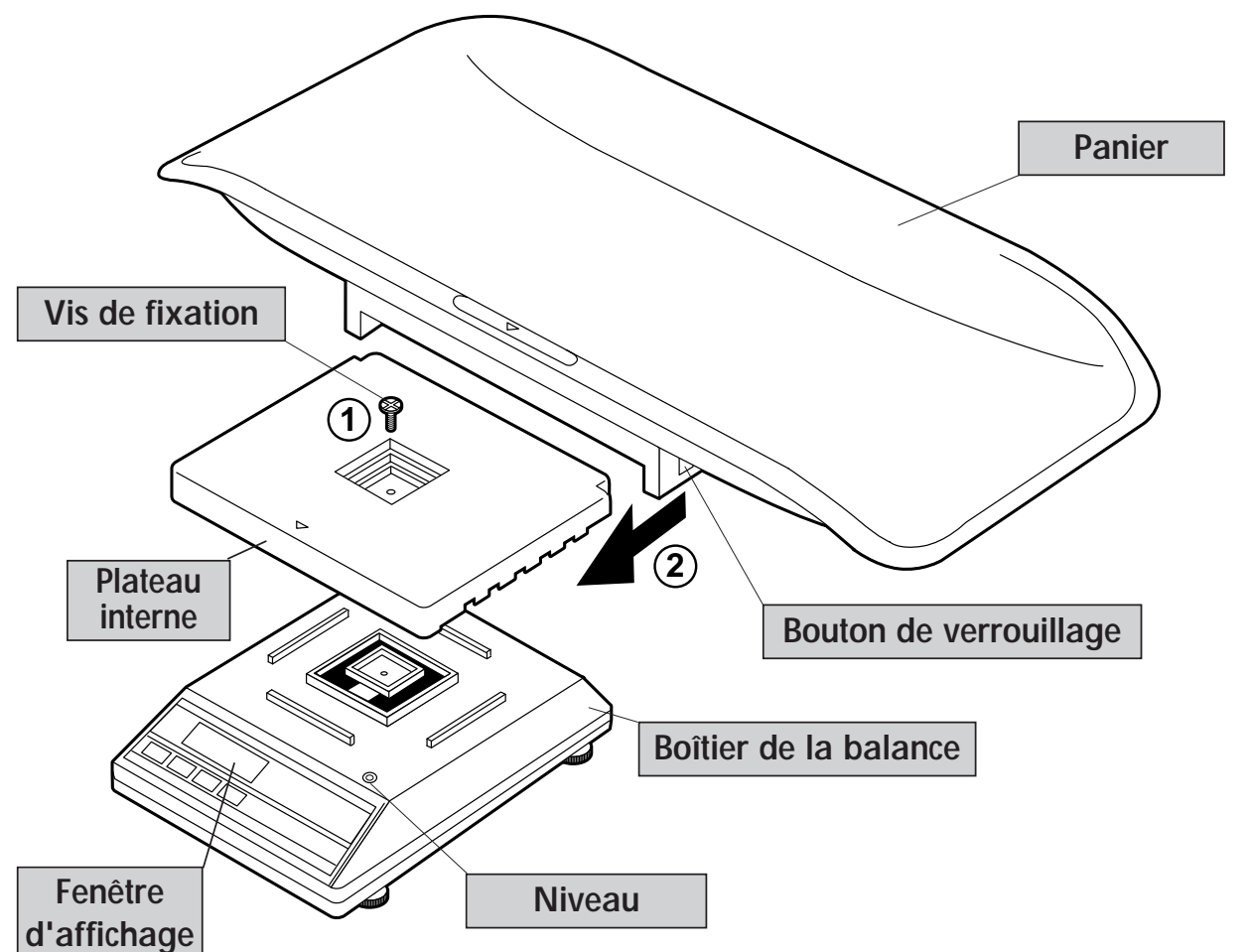
#### <Alimentation électrique>

	Valeur
Tension	220 V a.c.
Fréquence	50 Hz
Courant électrique	65 mA

# 1. Composition et assemblage de l'appareil

■ Composants de l'appareil Vérifier que les composants sont bien inclus dans l'emballage.

■ Assemblage de l'appareil



① Placer le plateau intérieur sur le cadre de la balance et le fixer solidement avec la vis de fixation.

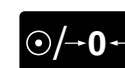
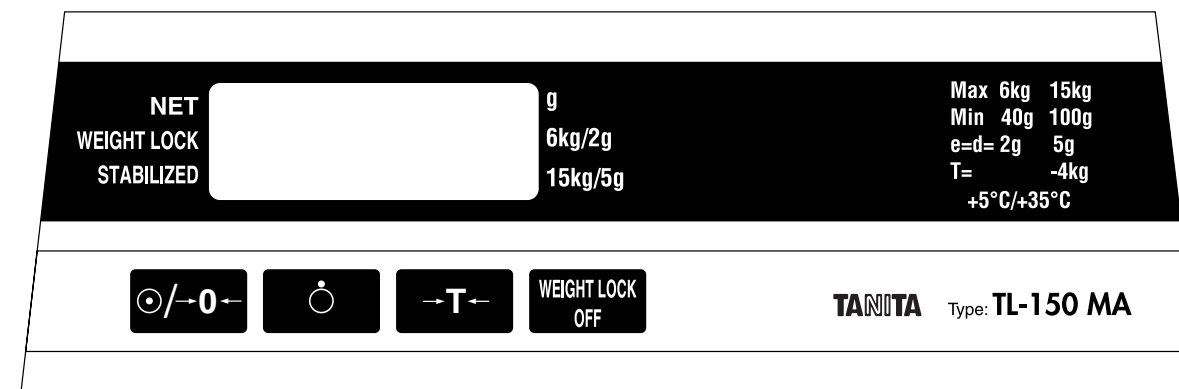
② Faire coulisser le panier du bébé de l'arrière du plateau intérieur vers l'avant.

\* Lorsqu'on enlève le panier de pesée, le faire coulisser vers l'arrière tout en appuyant sur le bouton de verrouillage.



**Danger** S'assurer que toutes les pièces sont fixées solidement afin d'éviter que l'appareil ne bascule.

■ Panneau de commandes



: Allume l'affichage et le remet à zéro.



: Touche de mise à l'arrêt



: Active la fonction tare.



: La fonction WEIGHT LOCK (VERROUILLAGE) est désactivée.

NET

: Une flèche apparaît à côté de l'icône lorsque la fonction tare est activée.

WEIGHTLOCK : Lorsque la mesure devient stable, une flèche apparaît à droite de l'indication WEIGHTLOCK.

\*Lorsque vous appuyez sur le bouton WEIGHT LOCK OFF (VERROUILLAGE DESACTIVE), le symbole disparaît.

STABILIZED (STABILISE) : dès que l'affichage à l'écran se stabilise, le symbole (3) s'affiche à proximité de STABILIZED (STABILISE).

■ Descriptif des fonctions

	: L'affichage est en marche.		: Conforme à la Directive 93/42 EEC concernant les dispositifs à usage médical.		: La fonction tare est activée.
	: Remise à zéro (Réinitialisation)		: L'affichage est à l'arrêt.		: Pièce conforme au type B.
	: Attention. Veuillez vous référer à ce mode d'emploi.		: Appareil de classe II.		: Courant continu

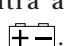
## 2. Avant l'utilisation

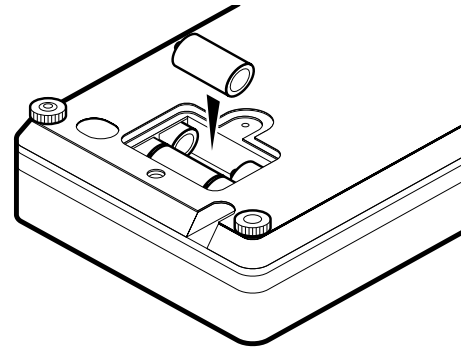
### ■ Connexion et installation du matériel


#### 1. Préparer la source d'alimentation électrique

<Lorsque l'on utilise des piles sèches>

Veillez utiliser 6 piles Alcaline/Manganèse de type C (LR 14) (Non incluses).

Retirer le couvercle du logement des piles qui se trouve en-dessous de la balance, placer les piles correctement comme indiqué dans le logement des piles et replacer le couvercle. Si les piles sont usées, le message **Lo** apparaîtra à l'affichage et la flèche ► apparaîtra à côté du symbole . Dans ce cas, veuillez remplacer les 6 piles.



-  • Ne pas exercer de pression excessive sur l'appareil lorsqu'on l'installe ou que l'on remplace les piles.
- Lorsque l'on procède au remplacement des piles, s'assurer que les piles ont été mises en place (avec la polarité ⊕ et ⊖ correctement). Si la polarité est incorrecte, les piles risquent de fuir et d'endommager l'appareil.
- Si vous n'utilisez pas l'appareil pour une période prolongée, retirer les piles avant de stocker l'équipement.

<Lorsque l'on utilise l'adaptateur c.a.>

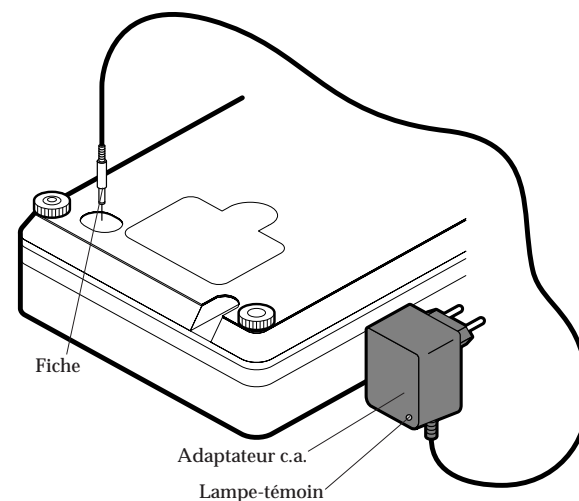
Brancher la fiche de l'adaptateur c.a. dans la prise de courant continu secteur qui se trouve sous la balance et brancher l'adaptateur c.a. à la prise murale. Ensuite, vérifier que la lampe-témoin de l'adaptateur c.a. s'allume bien.

#### Danger

- Ne pas introduire ou retirer la prise avec les mains mouillées.
- Ne pas utiliser cet appareil à proximité d'une source d'eau.

#### Attention

- S'assurer que l'adaptateur fourni avec l'appareil (Modèle: A30930G) est toujours utilisé avec cet appareil. D'autres adaptateurs/transformatrices risquent de provoquer un mauvais fonctionnement de l'appareil.

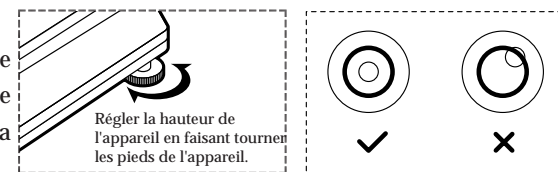


#### 2. Réglage de la mise à niveau

Pour procéder à une pesée exacte, poser l'appareil autant que possible sur une surface plane et régler le niveau de l'appareil avec les quatre pieds réglables de telle sorte que la bulle d'air dans le niveau se trouve au milieu.



#### Attention

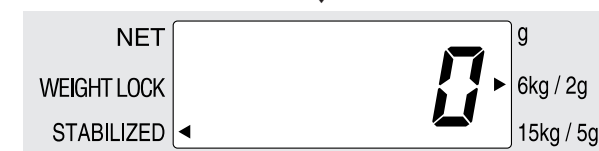
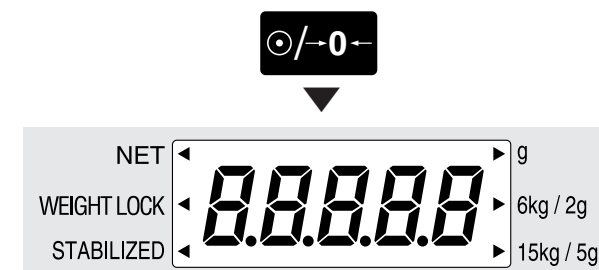
- S'assurer que la balance est bien placée sur une surface plane et stable. En cas d'instabilité, la balance risque de bouger ou de se renverser, et de ne pas donner de résultats fiables.



## 3. Instructions d'utilisation

### ■ Mesure normale

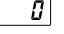
-  • En cas de transfert de l'appareil vers un lieu dont la différence de température est supérieure à 20°C, veuillez ne pas utiliser la balance pendant 2 heures au minimum.
- Ne pas utiliser d'appareils de transmission, tels que des téléphones mobile, à proximité de l'équipement lorsqu'il est en service, car cela risque d'affecter la lecture des données affichées.
-  • La résolution est de 2 kg dans le mode 6 kg et de 5 kg en mode 15 kg.
- Si le résultat de la pesée est supérieur à 6 kg, l'appareil passe automatiquement en mode 15 kg.



#### 1. Mettre l'appareil sous tension.

Appuyer sur la touche .

Le message **88888** clignote pendant 4 secondes à l'écran.

L'affichage  apparaît et le symbole (◀) s'affiche à proximité de STABILIZED (STABILISE).

#### 2. Placez le bébé sur le plateau

La flèche (◀) apparaît à proximité de STABILIZED (STABILISE) et le résultat de la pesée s'affiche.


Le poids affiché à l'écran se verrouille automatiquement lorsque l'appareil se stabilise et que le symbole (◀) apparaît à proximité de WEIGHT LOCK (VERROUILLAGE)\*.




Lorsque le poids est supérieur à 6 kg, l'appareil passe automatiquement en mode 15 kg.

\* L'affichage WEIGHT LOCK (VERROUILLAGE) clignote et aucun poids n'est verrouillé lorsque la pesée est inférieure à 500 g. Lorsque vous appuyez sur le bouton WEIGHT LOCK OFF (VERROUILLAGE DESACTIVE), la fonction WEIGHT LOCK (VERROUILLAGE) est désactivée. La fonction WEIGHT LOCK est réactivée lorsque l'écran affiche 0 kg.

#### 3. Après la pesée

Retirez le bébé du plateau.


 apparaît et le symbole ◀ s'affiche à proximité de STABILIZED (STABILISE). L'appareil repasse automatiquement en mode 6 kg.

 Si  ne s'affiche pas à l'écran, appuyez sur la touche .

#### 4. Mesures ultérieures

Assurez-vous que l'écran affiche  et placez le bébé sur le plateau.

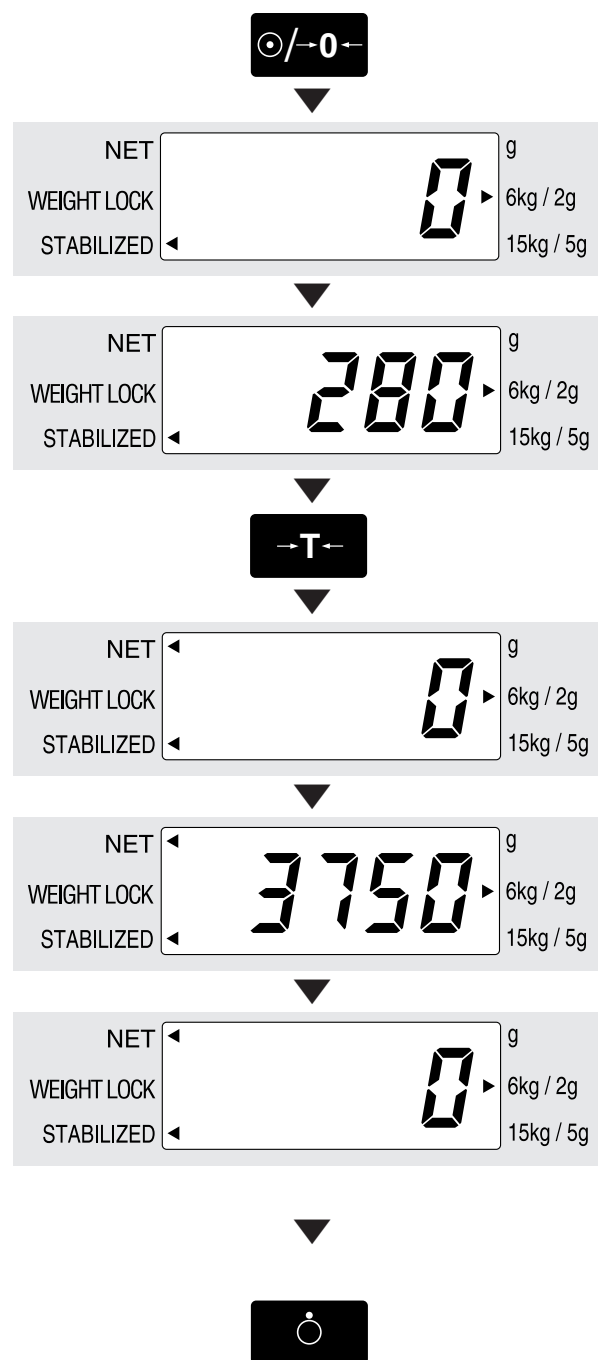
#### 5. Couper l'alimentation.

Appuyer sur la touche .

# 4. Dépannage

## ■ Fonction de tare

- Cet appareil autorise une tare maximale de 4 kg.
- Lorsque l'on utilise la fonction tare, la plage de pesée est diminuée du poids de la tare.  
[Plage de pesée] = [Capacité maximale] - [Poids de la tare]



- 1. Mettez l'appareil sous tension.**  
Appuyez sur la touche [0/-0-].

L'affichage 88888 clignote pendant 4 secondes à l'écran, 0 apparaît et le symbole ◀ s'affiche à proximité de STABILIZED (STABILISE).

- 2. Placez le linge ou vêtement destiné à couvrir le bébé sur le plateau.**  
Le symbole (◀) apparaît à proximité de STABILIZED (STABILISE) et le poids net du plateau s'affiche.

- 3. Appuyer sur la touche [-T-]**

Le message 0 apparaîtra et une flèche ◀ s'affichera à côté du message "NET".

- 4. Placez le bébé sur le plateau**  
Le symbole (◀) s'affiche à proximité de STABILIZED (STABILISE) et le poids du bébé s'affiche.

- 5. La pesée est terminée.**  
Retirer le bébé du panier.  
Le message 0 apparaîtra suivi d'une flèche ◀ à côté du message "NET".

- 6. Mesures ultérieures**  
Après vous être assuré que l'écran affiche 0, placez le bébé sur le plateau.

- 7. Couper l'alimentation.**  
Appuyer sur la touche [⏻].

## ■ Fonction d'arrêt automatique

Cet appareil dispose d'une fonction d'arrêt automatique permettant de limiter la consommation d'énergie. Si l'appareil n'est pas utilisé ou si l'affichage demeure inchangé pendant dix minutes, l'appareil se met hors tension automatiquement.

## ■ Dépannage

Si un problème survient, veuillez vous référer aux instructions suivantes avant de procéder à une réparation.

Problème	Solution
L'unité ne se met pas en marche lorsque l'on appuie sur la touche [0/-0-].	<ul style="list-style-type: none"> <li>• En cas d'utilisation d'un adaptateur secteur Vérifiez que le câble de l'adaptateur secteur est correctement connecté à l'écran d'affichage. Assurez-vous que l'adaptateur secteur est correctement branché sur le secteur.</li> <li>• En cas d'utilisation de piles Il se peut que les piles soient usées. Pour vous en assurer, utilisez l'adaptateur secteur ou installez de nouvelles piles.</li> </ul>
La mesure n'est pas correcte.	<ul style="list-style-type: none"> <li>• A l'issue du réglage du niveau, assurez-vous encore une fois que les quatre pieds de support ajustables sont effectivement placés sur une surface stable.</li> </ul>
L'affichage est instable L'affichage à l'écran clignote.	<ul style="list-style-type: none"> <li>• L'appareil est inutilisable en cas de vibrations importantes. Dans ce cas, essayez d'utiliser l'appareil dans un autre emplacement.</li> </ul>
Le message <span style="border: 1px solid black; padding: 2px;">-----</span> apparaît à l'affichage.	<ul style="list-style-type: none"> <li>• Peut-être avez-vous dépassé la capacité maximale de l'appareil.</li> <li>• Ne placez pas un bébé ou un objet sur le plateau de l'appareil avant d'effectuer une pesée et assurez-vous que le plateau est vide.</li> </ul>



# Caractéristiques

Modèle	TL-150MA
Source d'alimentation	Adaptateur secteur c.a. Centre minus Modèle A30930G Catégorie 2 Tension à l'entrée : 220 V c.a. 50 Hz 65 mA Tension à la sortie : 9 V c.c. plus ou moins 0.45 V c.c. Courant nominal : 300 mA Tension d'entrée sans charge : 12 V c.c. plus ou moins 0.6 V c.c. Piles alcalines (LR 14) x 6 (non incluses)
Consommation électrique	0.2 W maxi
Système de mesure	par résistance électrique
Portée maximale	6kg , 15kg
Graduation minimale	6kg : 2g 15kg : 5g *Portée multiple
Précision lors de l'étalonnage	6kg : ±4g 15kg : ±10g
Graduation	40g - 6kg 100g - 15kg
Tare maximale	4kg
Affichage	Affichage à cristaux liquides (LCD) (Hauteur des chiffres: 14 mm)
Température d'utilisation	+5°C / +35°C
Humidité relative	30 - 80% (sans condensation)
Dimensions	Panier
	Dimensions de l'appareil assemblé
Durée de vie des piles	environ 300 heures en usage continu

Ce produit remplit toutes les conditions requises conformément aux normes indiquées ci-dessous:

Norme standard de sécurité	: EN 60601-1: 1990, AM No. 1: 1993, AM No2.: 1995
	IEC 60601-1: 1998, AM No. 1: 1991, AM No2.: 1995
Norme standard EMC	: EN-60601-1-2: 1993
	IEC 60601-1-2: 1993
Norme standard et directives pour les instruments et équipements à usage médical	:93/42/EEC: 1993

<Corporation Responsible in the EU Region>

## TANITA UK LTD.

The Barn, Philpots Close, Yiewsley,  
Middlesex,  
UB7 7RY, United Kingdom  
Tel : 01895-438577 Fax : 01895-438511  
<http://www.tanita.co.uk>

## TANITA

### TANITA Corporation

14-2,1-chome, Maeno-cho, Itabashi-ku  
Tokyo, Japan  
Tel:(03)3968-2123 / (03)3968-7048 Fax:(03)3967-3766

### TANITA Corporation of America, inc.

2625 South Clearbrook Drive  
Arlington Heights, Illinois 60005 U.S.A.  
Toll Free : (800) 826-4828  
Tel : 847-640-9241  
Fax : 847-640-9261  
<http://www.tanita.com>

### TANITA Health Equipment H.K.LTD.

Unit 301-303 3/F Wing On Plaza,  
62 Mody Road, Tsimshatsui East,  
Kowloon, Hong Kong  
Tel : +852-2838-7111  
Fax : +852-2838-8667

### TANITA Europe GmbH

Dresdener Strasse 25  
D-71065 Sindelfingen,  
Germany  
Tel : 07031-61896  
Fax : 07031-618971  
<http://www.tanita.de>

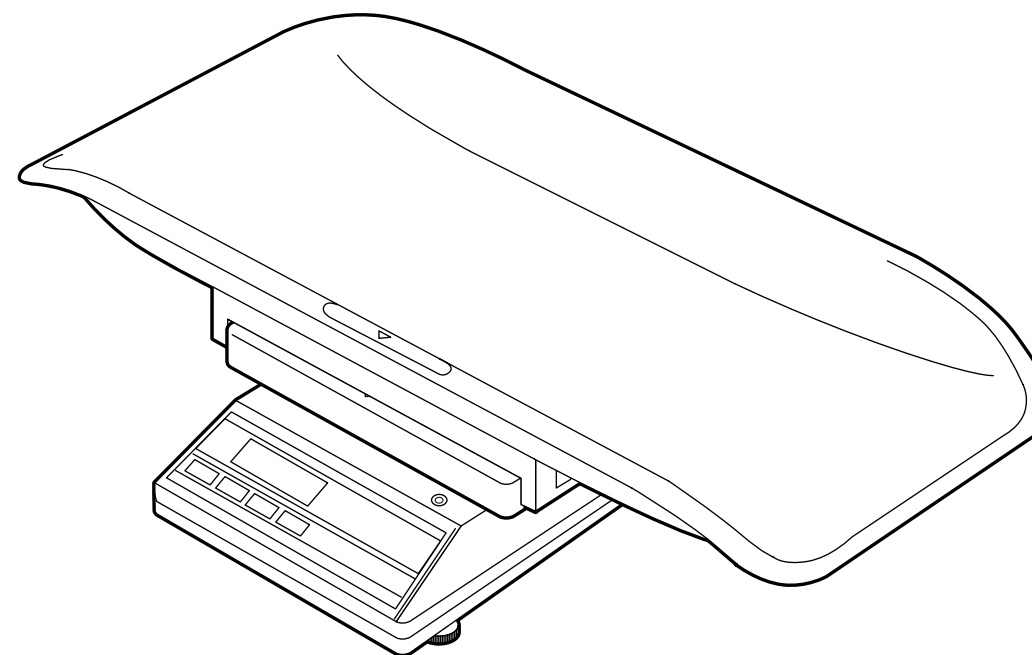
### TANITA France s.a.

Villa Labrouste  
68 Boulevard Bourdon,  
92200 Neuilly-Sur-Seine,  
France  
Tel : 01-55-24-99-99  
Fax : 01-55-24-98-68  
<http://www.tanita.fr>

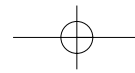
# TANITA

## ELEKTRONISCHE WEEGSCHAAL VOOR GEBRUIK IN DE PEDIATRIE / NEONATALE ZORG

### TL-150MA III GEBRUIKSAANWIJZING



Leest u deze gebruiksaanwijzing alstublieft zorgvuldig door  
en bewaar deze zodat u er later nog iets in kunt opzoeken.



## Inhoudsopgave

<input type="checkbox"/>	Inhoudsopgave .....	39
<input type="checkbox"/>	Toepassingen .....	40
<input type="checkbox"/>	Veiligheidsinformatie.....	40
	Waarschuwingssymbolen.....	40
	⚠ Waarschuwing.....	40
	⚠ Voorzichtig.....	40
	⚠ [Onderhoud].....	41
	⚠ [Instructies voor het wegen] .....	41
	<Bedrijfsomstandigheden>.....	41
	<Opslagomstandigheden> .....	41
	<Stroomvoorziening> .....	41
	1. Samenstellende onderdelen van het product .....	42
	■ Onderdelen van het product .....	42
	■ Assemblage van apparatuur .....	42
	■ Bedieningspaneel .....	43
	■ Symbolen en hun betekenis .....	43
	2. Voorbereidingen voor gebruik .....	44
	■ Aansluiten en installeren van het toestel .....	44
	1.Vorbereitung stroomvoorziening .....	44
	2.Horizontaal stellen .....	44
	3. Bedieningsvoorschriften .....	45
	■ Normaal gewicht functie .....	45
	■ Tarragewicht functie.....	46
	■ Automatische uitschakeling .....	46
	4. Foutopsporing .....	47
	■ Foutopsporing.....	47
<input type="checkbox"/>	Specificaties .....	48



## Toepassingen




1. Dit toestel is geijkt als een precisie meetinstrument en kan worden gebruikt ter verificatie van het gewicht van baby's en/of ter verificatie van commerciële aangelegenheden.
2. Dit toestel kan tevens worden gebruikt voor het verkrijgen van referentie-gegevens bij medisch onderzoek, zoals een periodieke controle, en voor het bijhouden van de groei van baby's.

## Veiligheidsinformatie

### Waarschuwingssymbolen

In deze gebruiksaanwijzing en in de aanduidingen op het toestel zelf worden diverse waarschuwingssymbolen gebruikt die u wijzen op een veilig en correct gebruik van dit toestel zodat eventueel letsel voor uzelf of anderen en eventuele schade aan uw of andermans eigendommen voorkomen kan worden.

Deze symbolen en hun betekenis staan hieronder uiteengezet. U dient deze goed te begrijpen voor u doorgaat met het lezen van de gebruiksaanwijzing.

	<b>Waarschuwing</b>	Dit symbool geeft aan dat er gevaar bestaat voor ernstig letsel of zelfs de dood als de betreffende veiligheidsvoorschriften worden genegeerd en het toestel op onjuiste wijze wordt gebruikt.
	<b>Voorzichtig</b>	Dit symbool geeft aan dat er gevaar bestaat voor persoonlijk letsel en/of beschadiging van het toestel als de betreffende veiligheidsvoorschriften worden genegeerd en het toestel op onjuiste wijze wordt gebruikt.
		Dit symbool geeft algemene voorzorgsmaatregelen aan die in acht behoren te worden genomen bij gebruik van dit toestel.

### Waarschuwing

- Om elektrische schokken te voorkomen, mag u nooit de stekker met natte handen in het stopcontact doen of eruit halen.
- Om brandgevaar te voorkomen, dient u te allen tijde gebruik te maken van een correct aangesloten 230 V wisselstroom stroomvoorziening, nooit van verlengsnoeren.
- Verifieer of de onderdelen solide en naar behoren geassembleerd zijn. (Zie pagina 42 "Assemblage van apparatuur")

### Voorzichtig

- Om de verspreiding van infecties te voorkomen, dient u te allen tijde de weegschaal na gebruik schoon te maken. Steriliseer de weegschaal met een daarvoor geschikt reinigingsmiddel op alcoholbasis voor u het toestel gaat gebruiken.
- Installatie van het toestel. Controleer of de weegschaal op een horizontale en vlakke ondergrond staat. Als het toestel wordt gebruikt wanneer het niet stevig genoeg staat opgesteld, wanneer bijvoorbeeld niet alle voetjes vlak op de ondergrond staan, bestaat het risico dat de weegschaal omkiept en zal het bovendien niet goed mogelijk zijn een accuraat meetresultaat te verkrijgen.
- Weging Wees altijd bijzonder voorzichtig wanneer u een baby op de babyschaal legt. Controleer of er geen gevaar bestaat dat het toestel omkiept. Om te voorkomen dat het toestel omkiept, dient u er te allen tijde voor te zorgen dat er behoorlijk toezicht wordt uitgeoefend tijdens het wegen.
- Netstroomadapter U dient altijd alleen de meegeleverde netstroomadapter (Model: A30930G) met dit toestel te gebruiken. Andere adapters kunnen storingen veroorzaken.
- Batterijen Bij het vervangen van batterijen dient u de nieuwe batterijen met de ⊕ en ⊖ polen in de juiste richting te plaatsen. Als de polariteit van de batterijen niet correct is, kunnen de batterijen gaan lekken en het toestel beschadigen.

- Verplaatsen van het toestel Houd het toestel niet vast aan de babyschaal wanneer u het optilt. Houdt u het toestel alstublieft uitsluitend vast aan de behuizing van het toestel zelf.
- Het toestel is voorzien van een zekering (100 mA, 125 V) voor elektronische apparatuur. Bij gebruik van andere dan de originele netstroomadapter, of wanneer er een te hoge spanning wordt toegevoerd, zal deze zekering met het oog op de veiligheid doorbranden. Als de zekering is doorgebrand, moet het toestel geïnspecteerd en gerepareerd worden. Aangezien de zekering een vast onderdeel uitmaakt van het toestel en niet gemakkelijk door de klant kan worden vervangen, dient u uw dichtstbijzijnde Tanita dealer of agentschap te raadplegen wanneer de zekering vervangen moet worden.
- Steek geen vingers of andere voorwerpen tussen de binnenplaat en de behuizing van de weegschaal om letsel en storingen te voorkomen.

### [Onderhoud]

Dit is een zeer precies gefabriceerd product bij gebruik waarvan u de volgende instructies in acht dient te nemen.

- Probeer het toestel niet zelf uit elkaar te halen of af te stellen, aangezien dit storingen zal veroorzaken. Het toestel behoort alleen geïnspecteerd te worden in overeenstemming met de betreffende regelgeving voor elk land.
- Oefen geen overdreven kracht uit op het toestel wanneer u dit in elkaar zet of wanneer u de batterijen vervangt.
- Neem het toestel niet af met bijtende chemische middelen (benzine, bepaalde reinigingsmiddelen enz.). Gebruikt u alstublieft een neutraal reinigingsmiddel om het toestel schoon te maken.
- Stel het toestel niet bloot aan te grote schokken of trillingen.
- Wanneer u het toestel langere tijd niet zult gebruiken, dient u de netstroomadapter uit het stopcontact te halen.
- Wanneer u het toestel langere tijd niet zult gebruiken, dient u de batterijen uit het toestel te verwijderen voor u het toestel opbergt.
- Wanneer u het toestel vervoert, dient u het toestel in de oorspronkelijke doos te verpakken.
- De garantie vervalt als een onbevoegde persoon onderdelen demonteert of repareert. Neem contact op met uw dichtstbijzijnde Tanita verkoopkantoor of distributeur als de weegschaal defect raakt.

### [Instructies voor het wegen]

- Op een trillend oppervlak kan het onmogelijk blijken naar behoren te wegen. In een dergelijk geval dient u het toestel te verplaatsen naar een stabiele ondergrond die niet of zo weinig mogelijk trilt.
- Wanneer het toestel is verplaatst en het temperatuurverschil met de vorige locatie 20°C of meer bedraagt, dient u het toestel tenminste 2 uur te laten staan voor u het weer gaat gebruiken.
- Gebruik geen zendapparatuur, zoals draagbare telefoons, in de buurt van het toestel wanneer het toestel in gebruik is. Dit kan invloed hebben op de meting.
- Controleer of er een schone handdoek of iets dergelijks op de babyschaal ligt voor u een baby gaat wegen.

### <Bedrijfsomstandigheden>

Bedrijfstemperatuur	: 5°C / 35°C
Relatieve luchtvochtigheid	: 30% / 80% (zonder condensatie)

### <Opslagomstandigheden>

Omgevingstemperatuur	: -10°C / 50°C
Relatieve luchtvochtigheid	: 10% / 90%(zonder condensatie)
De weegschaal niet aan direct zonlicht, aanzienlijke temperatuurverschillen, vochtigheid en grote hoeveelheden stof blootstellen of in de buurt van ontstekingsbronnen bewaren of in een omgeving waar gevaar voor trillingen of schokken bestaat om eventuele defecten te voorkomen.	

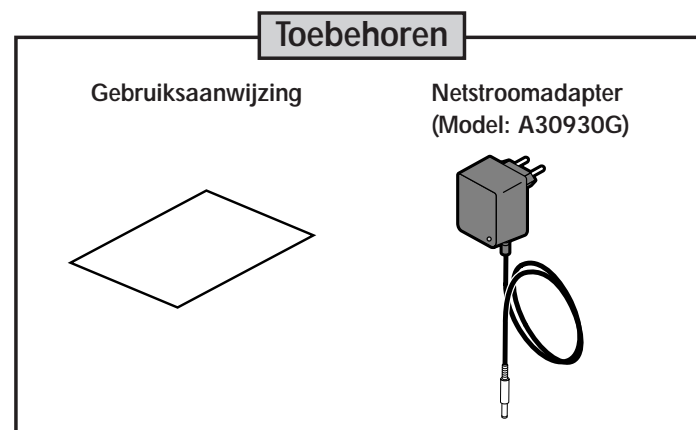
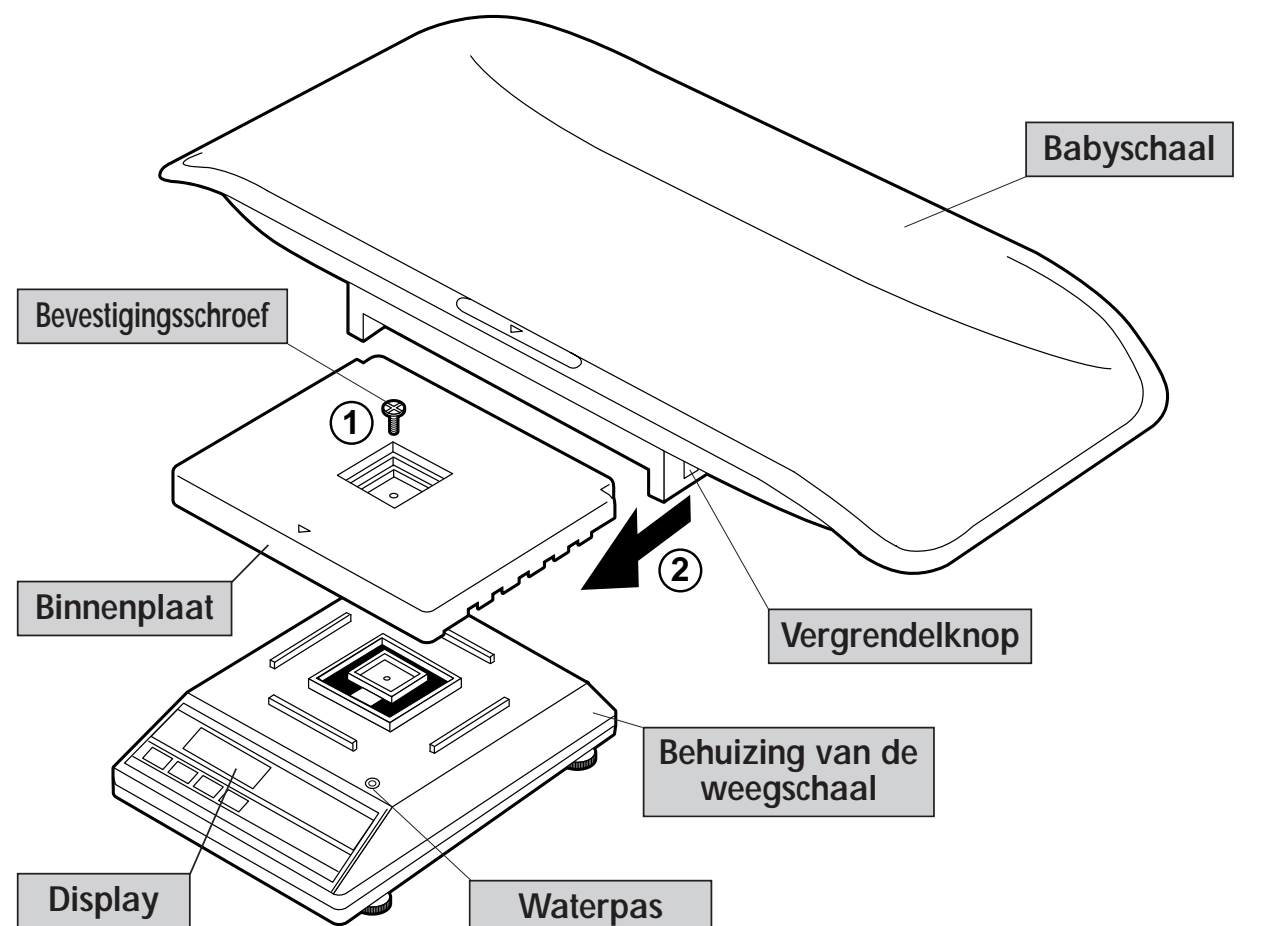
### <Stroomvoorziening>

	Waarde
Voltage	230 V wisselstroom
Frequentie	50Hz
Stroomsterkte	65mA

# 1. Samenstellende onderdelen van het product

■ **Onderdelen van het product** Controleer of de volgende onderdelen zijn meegeleverd.

■ **Assemblage van apparatuur**



① Pas de binnenplaat op de uitsparing in de behuizing van de weegschaal en zet deze vast met de bevestigingsschroef.

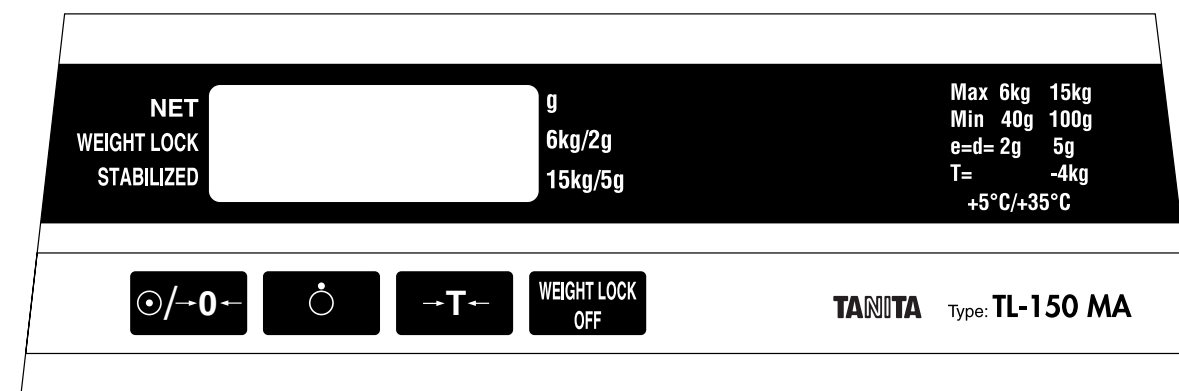
② Schuif de babyschaal van achteren naar voren op de binnenplaat.

\* Wanneer u de babyschaal verwijdert, dient u deze naar achteren te schuiven terwijl u de vergrendelknop ingedrukt houdt.



**Waarschuwing** Controleer of alle onderdelen stevig en op de juiste manier gemonteerd zijn en of het toestel niet om kan kiepen.

■ **Bedieningspaneel**



: Schakel het display in en zet het display op nul.



: Stroom uitschakelen.



: Schakel de tarra weegfunctie in.



: "GEWICHTSVERGREDELING FUNCTIE" uitschakelen.

NET

: Naast dit pictogram verschijnt een pijltje wanneer de tarra weegfunctie is ingeschakeld.

WEIGHTLOCK : Wanneer de gewichtsaanduiding gestabiliseerd is, zal er rechts naast WEIGHTLOCK een pijltje verschijnen.

\* De pijl verdwijnt wanneer er op "GEWICHTSVERGREDELING UITSCHAKELEN" wordt gedrukt.

STABILIZED (STABIEL) : Er verschijnt een pijl rechts van STABIEL als het gewicht stabiel is.

■ **Symbolen en hun betekenis**

	: Het display is ingeschakeld.		: Conform betreffende medische richtlijn		: Hiermee schakelt u de tarra weegfunctie in.
	: Terugzetten op nul.		: Het display is uitgeschakeld.		: Type B toegepast onderdeel
	: Voorzichtig. Raadpleeg deze gebruiksaanwijzing.		: Klasse II apparatuur		: Gelijkstroom

## 2. Voorbereidingen voor gebruik

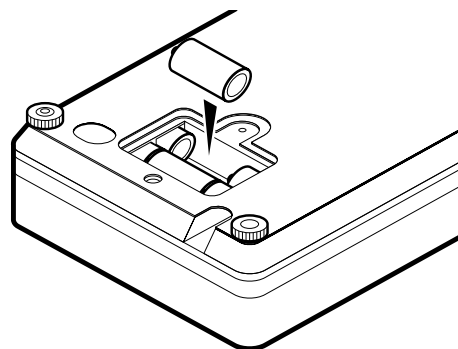
### ■ Aansluiten en installeren van het toestel

#### 1. Voorbereiding stroomvoorziening

<Bij gebruik van batterijen>

Gebruikt u alstublieft zes C formaat (LR14) alkali batterijen (niet meegeleverd).

Verwijder het klepje van het batterijvak aan de onderkant van de behuizing van de weegschaal, zet de batterijen op de juiste manier in het batterijvak en doe vervolgens het klepje weer op zijn plaats. Als de batterijen leeg raken, zal de aanduiding **Lo** op het display verschijnen en zal er een **▶** naast het **+** symbool op het display verschijnen. In dit geval dient u alle zes batterijen tegelijkertijd te vervangen.



- ⚠ • Oefen geen overdreven kracht uit op het toestel wanneer u dit in elkaar zet of wanneer u de batterijen vervangt.
- Bij het vervangen van batterijen dient u de nieuwe batterijen met de **+** en **-** polen in de juiste richting te plaatsen. Als de polariteit van de batterijen niet correct is, kunnen de batterijen gaan lekken en het toestel beschadigen.
- Wanneer u het toestel langere tijd niet zult gebruiken, dient u de batterijen uit het toestel te verwijderen voor u het toestel opbergt.

<Bij gebruik van de originele netstroomadapter>

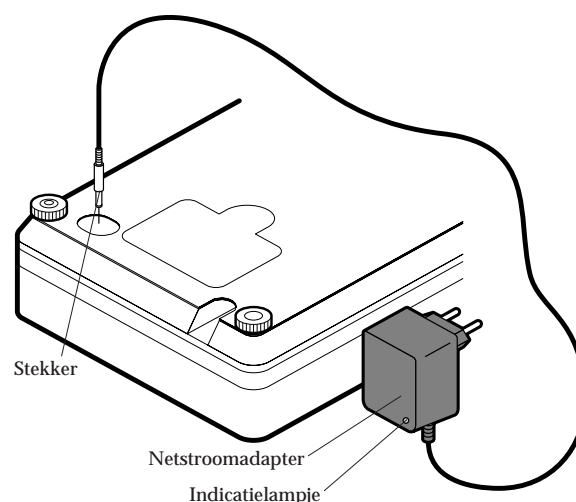
Steek het stekertje van de netstroomadapter in de gelijkstroom-aansluiting aan de onderkant van de behuizing van de weegschaal en steek de netstroomadapter in het stopcontact. Controleer vervolgens of het indicatielampje op de netstroomadapter oplicht.

#### ⚠ Waarschuwing

- U mag nooit met natte handen een stekker in het stopcontact steken of eruit halen.
- U mag het toestel niet in de buurt van water gebruiken.

#### ⚠ Voorzichtig

- U mag alleen de meegeleverde netstroomadapter (Model: A30930G) met dit toestel gebruiken. Gebruik van andere netstroomadapters kan storingen veroorzaken.

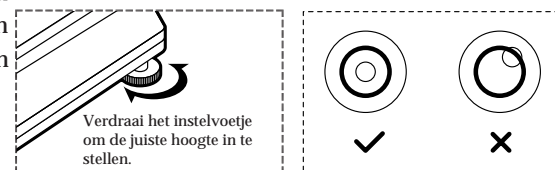


#### 2. Horizontaal stellen

Om verzekerd te kunnen zijn van accurate metingen, dient u het toestel op een zo vlak mogelijke ondergrond te zetten en vervolgens met de vier instelvoetjes horizontaal te stellen zodat de luchtbel van het waterpas middenin blijft staan.

#### ⚠ Voorzichtig

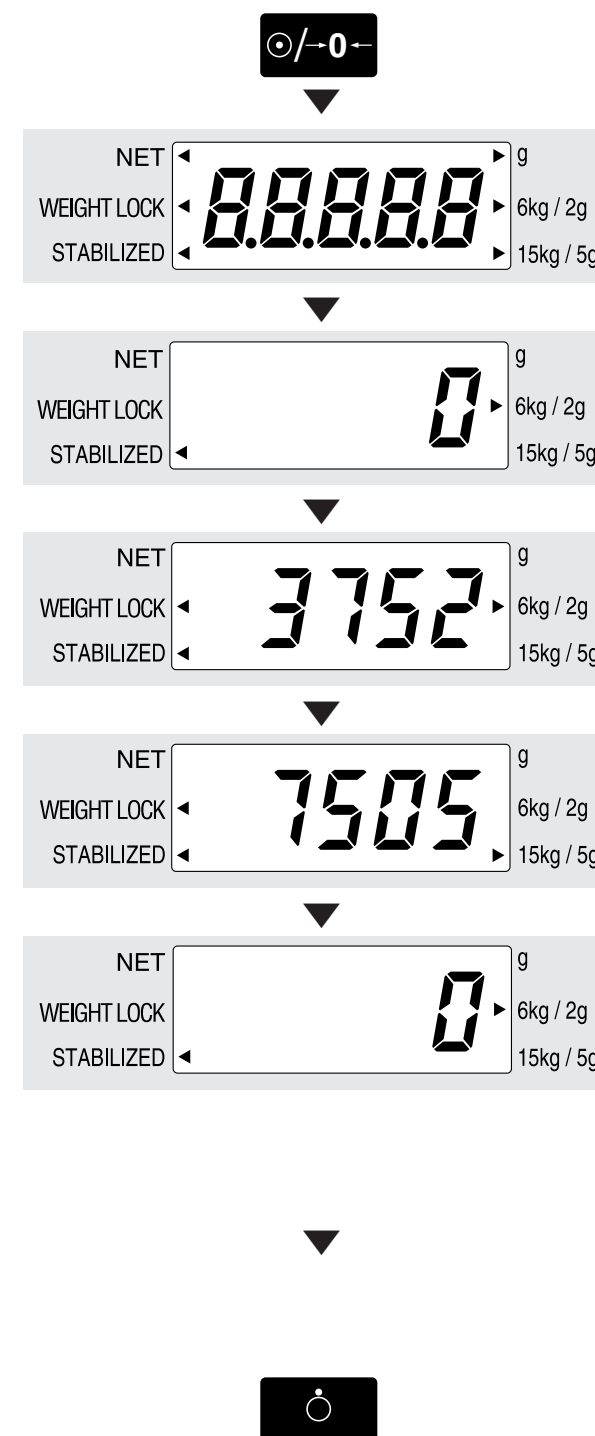
- Controleer voor gebruik of de weegschaal inderdaad op een horizontale en stevige ondergrond staat. Als het toestel wordt gebruikt wanneer het niet stabiel staat, wanneer bijvoorbeeld niet alle voetjes goed op de ondergrond staan, bestaat het gevaar dat de weegschaal omkiept en is het niet goed mogelijk een betrouwbare weging te doen.



## 3. Bedieningsvoorschriften

### ■ Normaal gewicht functie

- ⚠ • De weegschaal twee uur laten staan voordat u hem gebruikt wanneer de weegschaal naar een andere ruimte met een temperatuurverschil van meer dan 20°C werd verplaatst.
- Gebruik geen zendapparatuur, zoals draagbare telefoons, in de buurt van het toestel wanneer het toestel in gebruik is. Dit kan invloed hebben op de meting.
- ⚠ • De 6 kg modus heeft een resolutie van 2 g en de 15 kg modus heeft een resolutie van 5 g.
- De weegschaal schakelt automatisch over op de 15 kg modus als het gewicht meer is dan 6 kg.



#### 1. Schakel de stroom in.

Druk op de **[0/-0-]** toets.

**88888** knippert vier seconden lang op het scherm.

**0** verschijnt op het scherm en een pijl verschijnt naast het symbool "STABIEL".

#### 2. Leg be baby op de babyschaal

Een pijl (**◀**) verschijnt naast "STABIEL" en het gewicht is op het scherm af te lezen.

Het gewicht wordt automatisch vergrendeld wanneer het gewicht van de baby stabiel is en een pijl (**◀**) verschijnt naast "GEWICHTSVERGREDELING".

Als het gewicht hoger is dan 6 kg dan schakelt de weegschaal automatisch over naar de 15 kg modus.

- \* De "gewichtvergrendeling" functie fluctueert en vergrendelt geen getallen wanneer het gewicht van de baby minder dan 500 g is. Druk tijdens of na het meten op "WEIGHT LOCK OFF" om de "WEIGHT LOCK"-functie uit te schakelen. De "WEIGHT LOCK"-functie wordt automatisch weer actief voor volgende metingen.

#### 3. Na het wegen

Haal de baby van de babyschaal.

**0** verschijnt en **◀** verschijnt naast het "STABIEL" symbool. De weegschaal schakelt automatisch naar de 6 kg modus over.

- ⚠ Druk op de **[0/-0-]** toets als **0** niet op het scherm verschijnt.

#### 4. Verdere wegingen

Leg de baby op de babyschaal nadat het display stabiel op **0** staat.

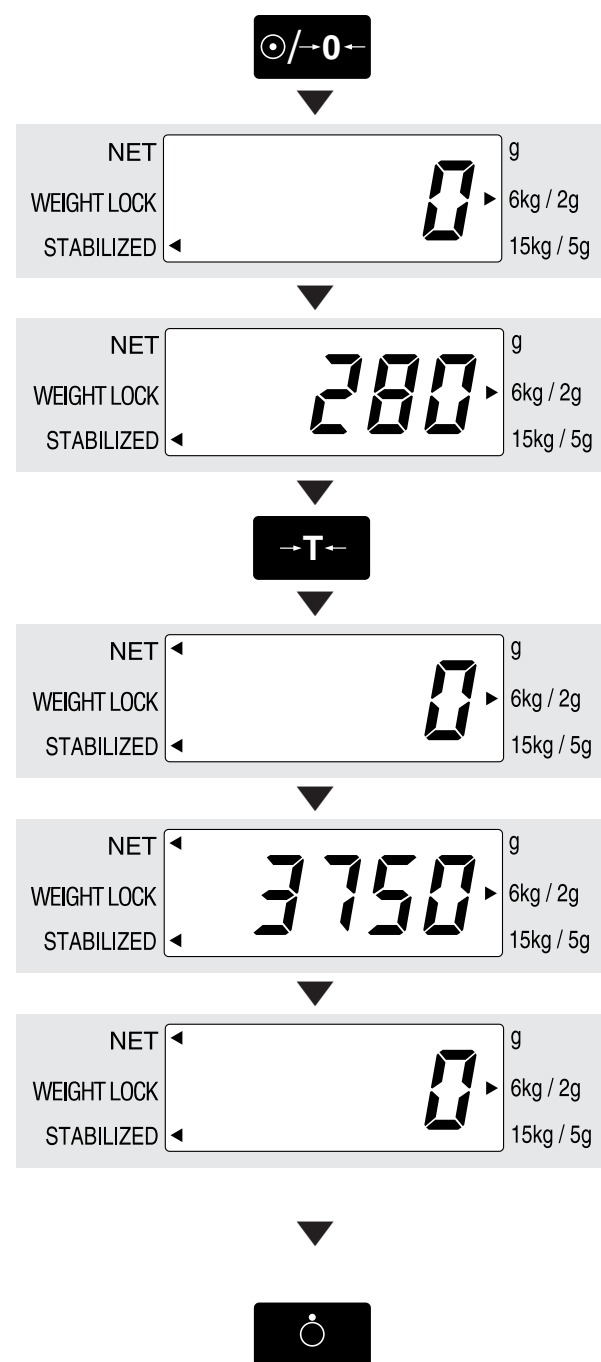
#### 5. Schakel de stroom uit.

Druk op de **[0]** toets.

## 4. Foutopsporing

### Tarragewicht functie

- Het tarragewicht kan uitsluitend binnen het tarragewichtsbereik worden bepaald. (4kg)
- Bij gebruik van de tarra weegfunctie wordt het totale meetbereik verminderd met het tarra gewicht.  
[Meetbereik] = [Maximum capaciteit] - [Tarra gewicht]



- Schakel de stroom in**  
Druk op de [0] toets.

Nadat [88888] gedurende vier seconden op het scherm knippert, verschijnt [0] op het scherm en ◀ verschijnt naast het "STABIEL" symbool.

- Leg de onderlegger van de baby (handdoek, etc.) op de babyschaal**  
Een pijl (◀) verschijnt naast "STABIEL" en het gewicht wordt op het scherm weergegeven.

- Druk op de [T] toets**

Op het display verschijnt [0] en naast "NET" zal ◀ verschijnen.

- Leg de baby op de babyschaal**  
Een pijl (◀) verschijnt naast "STABIEL" en het gewicht van de baby verschijnt op het scherm.

- Wanneer u klaar bent met wegen**  
Haal de baby van de babyschaal.  
Op het display verschijnt [0] en naast "NET" zal ◀ verschijnen.

- Verdere wegingen**  
Leg de baby op de babyschaal nadat het display stabiel op [0] staat.

- Schakel de stroom uit**  
Druk op de [0] toets.

### Automatische uitschakeling

De weegschaal is voorzien van automatische stroomuitschakeling om de batterijen te sparen. De stroom wordt automatisch uitgeschakeld wanneer de weegschaal niet wordt gebruikt of als het scherm tien minuten lang niet verandert.

### Foutopsporing

Mocht zich een probleem voordoen, raadpleegt u dan eerst de volgende aanwijzingen voor u om reparatie verzoekt.

Probleem	Oplossing
Het toestel gaat niet aan wanneer er op de [0] toets wordt gedrukt.	<ul style="list-style-type: none"> <li>• Gebruik van wisselstroomadapter Verifieer of de kabel van de wisselstroomadapter naar behoren op het scherm is aangesloten. Verifieer of de stekker van de wisselstroomadapter naar behoren in het stopcontact zit.</li> <li>• Gebruik van celbatterijen De batterijen kunnen leeg zijn. Verifieer of de weegschaal werkt door de wisselstroomadapter of nieuwe batterijen te gebruiken.</li> </ul>
De meting is niet correct.	<ul style="list-style-type: none"> <li>• Verifieer of de verstelbare pootjes nog steeds op een plat oppervlak staan na het veranderen van het niveau.</li> </ul>
Gewicht wordt niet stabiel. Scherm gaat aan en uit.	<ul style="list-style-type: none"> <li>• Sterke trillingen kunnen het wegen onmogelijk maken. Gebruik de weegschaal op een andere plaats.</li> </ul>
Op het display verschijnt [-----].	<ul style="list-style-type: none"> <li>• Het is mogelijk dat de maximale weegcapaciteit overschreden werd.</li> <li>• Baby of voorwerp nog niet op de babyschaal plaatsen. Controleer eerst op de babyschaal leeg is.</li> </ul>



# Specificaties

Model	TL-150MA	
Netvoeding	Netstroomadapter Minpool in het midden van de stekker Model A30930G Klasse 2 Ingangsspanning : 230V wisselstroom 50Hz 65mA Uitgangsspanning : 9 V gelijkstroom $\pm 0.45$ V gelijkstroom Opgegeven stroomsterkte : 300mA Onbelaste ingangsspanning : 12 V gelijkstroom $\pm 0.6$ V gelijkstroom Alkali batterij (LR14) x 6 (Niet meegeleverd)	
Stroomverbruik	0.2W max.	
Weegstelsel	Meting van elektrische weerstand	
Maximale capaciteit	6kg, 15kg	
Minimale schaalverdeling	6kg : 2g 15kg : 5g *Multibereik instrument	
Nauwkeurigheid na eerste kalibrering	6kg : $\pm 4$ g 15kg : $\pm 10$ g	
Weegbereik	40g - 6kg 100g - 15kg	
Maximaal tarra-effect	4kg	
Display	LCD (Vloeibaar kristal display) (Hoogte cijfers: 14 mm)	
Bedrijfstemperatuurbereik	+5°C / +35°C	
Relatieve luchtvochtigheid	30 - 80% (zonder condensatie)	
Afmetingen	Babyschaal	564 x 276 x 105 (mm)
	Afmetingen na samenbouw	564 x 330 x 190 (mm)
Levensduur batterijen	Ongeveer 300 uur doorlopend gebruik.	

Dit product voldoet aan alle eisen vervat in de onderstaande drie standaarden:

Veiligheidsstandaard	: EN60601-1:1990, AM No.1:1993, AM No.2:1995 IEC60601-1:1988, AM No.1:1991, AM No.2:1995
EMC Standaard	: EN-60601-1-2:1993 IEC60601-1-2:1993
Standaard Richtlijn Medische Apparatuur	: 93/42/EEC:1993

<Corporation Responsible in the EU Region>

## TANITA UK LTD.

The Barn, Philpots Close, Yiewsley,  
Middlesex,  
UB7 7RY, United Kingdom  
Tel : 01895-438577 Fax : 01895-438511  
<http://www.tanita.co.uk>

## TANITA

### TANITA Corporation

14-2,1-chome, Maeno-cho, Itabashi-ku  
Tokyo, Japan  
Tel: (03)3968-2123 / (03)3968-7048 Fax: (03)3967-3766

### TANITA Corporation of America, inc.

2625 South Clearbrook Drive  
Arlington Heights, Illinois 60005 U.S.A.  
Toll Free : (800) 826-4828  
Tel : 847-640-9241  
Fax : 847-640-9261  
<http://www.tanita.com>

### TANITA Health Equipment H.K.LTD.

Unit 301-303 3/F Wing On Plaza,  
62 Mody Road, Tsimshatsui East,  
Kowloon, Hong Kong  
Tel : +852-2838-7111  
Fax : +852-2838-8667

### TANITA Europe GmbH

Dresdener Strasse 25  
D-71065 Sindelfingen,  
Germany  
Tel : 07031-61896  
Fax : 07031-618971  
<http://www.tanita.de>

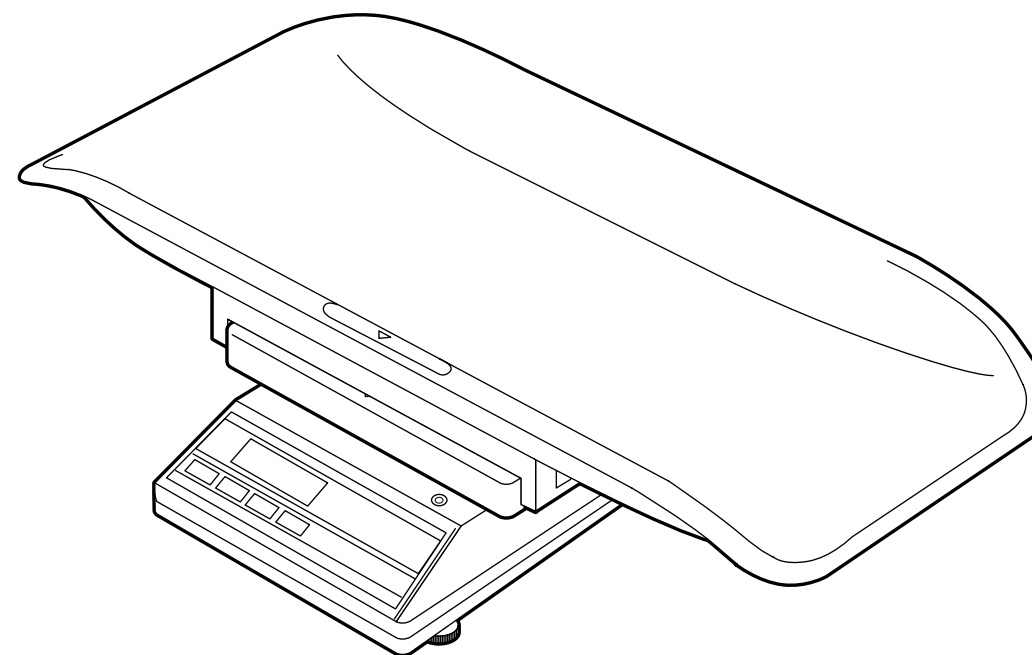
### TANITA France s.a.

Villa Labrouste  
68 Boulevard Bourdon,  
92200 Neuilly-Sur-Seine,  
France  
Tel : 01-55-24-99-99  
Fax : 01-55-24-98-68  
<http://www.tanita.fr>

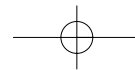
# TANITA

## BILANCIA ELETTRONICA PER USO PEDIATRICO/NEONATALE

### TL-150MA MANUALE D'ISTRUZIONI



Leggete attentamente questo manuale d'istruzioni e conservatelo.



## Indice

<input type="checkbox"/> Indice.....	51
<input type="checkbox"/> Applicazioni .....	52
<input type="checkbox"/> Note di sicurezza .....	52
Simboli di pericolo.....	52
▲ Attenzione.....	52
▲ Cautela.....	52
▲ [Manutenzione].....	53
▲ [Istruzioni per le misurazioni].....	53
<Condizioni d'uso>.....	53
<Conservazione>.....	53
<Alimentazione>.....	53
<b>1. Montaggio e componenti del prodotto .....</b>	<b>54</b>
■ Componenti del prodotto.....	54
■ Istruzioni per il montaggio dell'apparecchio .....	54
■ Pannello di controllo .....	55
■ Simboli e loro significati.....	55
<b>2. Preparazione all'uso.....</b>	<b>56</b>
■ Collegamento e installazione dell'apparecchiatura .....	56
1.Preparare la fonte di alimentazione.....	56
2.Regolazione della livella .....	56
<b>3. Istruzioni per il funzionamento .....</b>	<b>57</b>
■ Misurazione normale .....	57
■ Funzione peso tara .....	58
■ Spegnimento automatico .....	58
<b>4. Risoluzione dei problemi.....</b>	<b>59</b>
■ Risoluzione dei problemi.....	59
<input type="checkbox"/> Caratteristiche tecniche.....	60



## Applicazioni




- Questo apparecchio è stato tarato come strumento di precisione e può essere utilizzato per certificare il peso dei bambini e/o per certificare transazioni commerciali.
- Può essere utilizzato anche per ottenere dati di riferimento durante esami medici, come controlli periodici e per il controllo del peso dei bambini.

## Note di sicurezza

### Simboli di pericolo

In questo manuale d'istruzioni e nelle descrizioni dell'apparecchio, vi sono vari simboli che invitano alla cautela, per consentirvi di usare l'attrezzatura in maniera sicura e corretta, in modo da evitare danni alle persone e alle cose.

Di seguito sono illustrati i simboli e i rispettivi significati. Accertatevi di averli ben compresi prima di procedere alla lettura del manuale d'istruzioni.

	<b>Attenzione</b>	Questo simbolo indica il rischio di morte o di gravi ferite in caso di mancato rispetto delle istruzioni sulla sicurezza e di uso errato dell'apparecchiatura.
	<b>Cautela</b>	Questo simbolo indica il rischio di lesioni e/o danni all'apparecchiatura in caso di mancato rispetto delle istruzioni sulla sicurezza e di uso errato dell'apparecchiatura.
		Questo simbolo indica le precauzioni di carattere generale da adottare nell'utilizzo dell'apparecchiatura.

### Attenzione

- Per prevenire folgorazioni,  
Non inserire né rimuovere la spina dell'elettricità con le mani umide.
- Per prevenire incendi,  
Usate sempre prese a norma a 230V AC senza prolunghie.
- Per prevenire il capovolgimento dell'apparecchio, accertarsi di montare le parti in modo sicuro e con precisione (Vedere pagina 54 "Istruzioni per il montaggio dell'apparecchio")

### Cautela

- Per prevenire la diffusione di agenti infettivi,  
Pulire sempre la piattaforma dopo ogni uso.  
Sterilizzare la piattaforma con un liquido appropriato a base di alcool prima di ogni uso.
- Installazione dell'apparecchiatura  
Assicuratevi che la piattaforma di pesatura sia posta su una superficie piana e stabile. Se si utilizza l'apparecchiatura quando non è stabile, per esempio se non tutti i piedi poggiano su una superficie piana, vi è il rischio che la bilancia si capovolga, rendendo impossibile ottenere una misurazione corretta.
- Misurazione  
Prestate sempre la massima cura nell'adagiare il bambino nel piatto. Assicuratevi che non vi sia il rischio di ribaltamento dell'apparecchiatura.  
Per prevenire il ribaltamento dell'apparecchiatura, assicuratevi sempre che la pesatura sia adeguatamente sorvegliata.
- Adattatore AC  
Assicuratevi che con questa apparecchiatura sia sempre utilizzato l'adattatore in dotazione (MODELLO: A30930G). Con altri adattatori potrebbero esservi dei difetti di funzionamento.
- Batterie  
Nel sostituire le batterie, controllate che le batterie nuove siano inserite con la polarità corretta ⊕ e ⊖. Se la polarità non è corretta, le batterie potrebbero avere delle perdite e danneggiare l'apparecchiatura.

- Come spostare l'apparecchiatura  
Quando trasportare l'apparecchiatura, non sollevatela dal piatto.  
Spostate l'apparecchiatura tenendo saldamente il corpo principale.
- Nel circuito è incorporato un fusibile (100mA, 125V) per l'apparecchiatura elettronica. Se si utilizzano dispositivi diversi dall'adattatore AC originale o si applica una corrente elettrica eccessiva, il fusibile si brucerà per ragioni di sicurezza. In tal caso, occorrerà ispezionare e riparare l'unità. Poiché il fusibile costituisce una parte fissa dell'unità e non può essere smontato facilmente dal cliente, quando occorre sostituirlo consultate il più vicino ufficio vendite o concessionario Tanita.
- Non cercate di inserire le dita o altri oggetti tra il piatto interno e l'unità della bilancia per evitare di farvi male e di causare dei problemi di funzionamento.

### [Manutenzione]

Questo è un prodotto di precisione tarato accuratamente. Osservate le seguenti istruzioni.

- Non cercate di smontare né di aggiustare l'apparecchiatura, per non causare dei difetti nel funzionamento. L'apparecchiatura dovrà essere ispezionata in base ai regolamenti vigenti nel Paese in cui si utilizza.
- Evitate di applicare una forza eccessiva sull'apparecchiatura quando la smontate o sostituite le batterie.
- Evitate di pulire l'apparecchiatura con sostanze chimiche corrosive (benzina, detersivi ecc.). Si consiglia l'uso di un detergente neutro.
- Evitate di sottoporre l'apparecchiatura a urti o vibrazioni eccessive.
- Quando non utilizzate l'apparecchiatura per lunghi periodi, staccate l'adattatore AC dalla presa.
- Quando non utilizzate l'apparecchiatura per lunghi periodi, rimuovete le batterie prima di riporla.
- Quando trasportate l'apparecchiatura, usate la scatola originale.
- Per rottahare l'apparecchiatura, rispettate le leggi e i regolamenti in vigore nel Paese.
- La garanzia è invalida, se persone non autorizzate tentano di smontare o riparare una delle parti dell'apparecchio. Quando l'unità non funziona correttamente, consultare l'ufficio vendite o agente Tanita più vicino.

### [Istruzioni per le misurazioni]

- Le misurazioni potrebbero risultare impossibili su una superficie soggetta a forti vibrazioni. In tal caso, occorrerà trasferire l'apparecchiatura su una superficie stabile con vibrazioni minime o nulle.
- Se trasferite l'apparecchiatura in un luogo con una differenza di temperatura di oltre 20 °C, occorrerà attendere almeno due ore prima di utilizzarla.
- Non usate trasmettitori, come telefoni cellulari, vicino all'apparecchiatura quando è in funzione, perché potrebbero alterare le misurazioni.
- Mettete un asciugamano o un panno pulito sul vassoio prima di pesare un bambino.

#### <Condizioni d'uso>

Temperatura compresa tra	: 5°C / 35°C
Umidità relativa compresa tra il	: 30% / 80% (senza condensazione)

#### <Conservazione>

Temperatura dell'ambiente compresa tra	: -10°C / 50°C
Umidità relativa compresa tra il	: 10% / 90% (senza condensazione)
Per evitare guasti non conservare l'apparecchio alla luce diretta del sole, non sottoporlo a cambiamenti significativi di temperatura, al rischio di umidità, a grandi quantità di polvere, non lasciarlo nelle vicinanze di stufe o dove esiste il rischio di vibrazioni o colpi.	

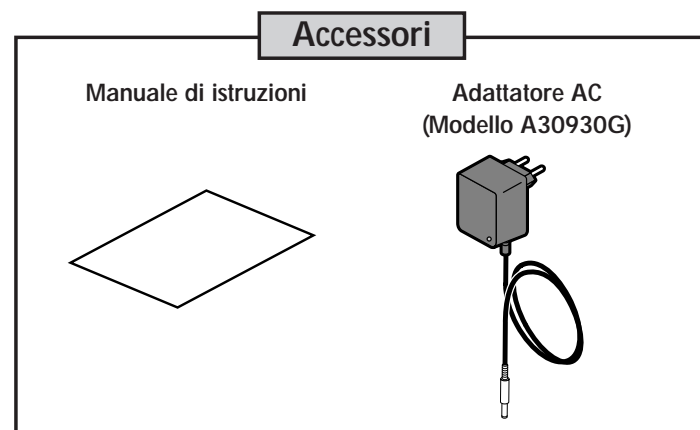
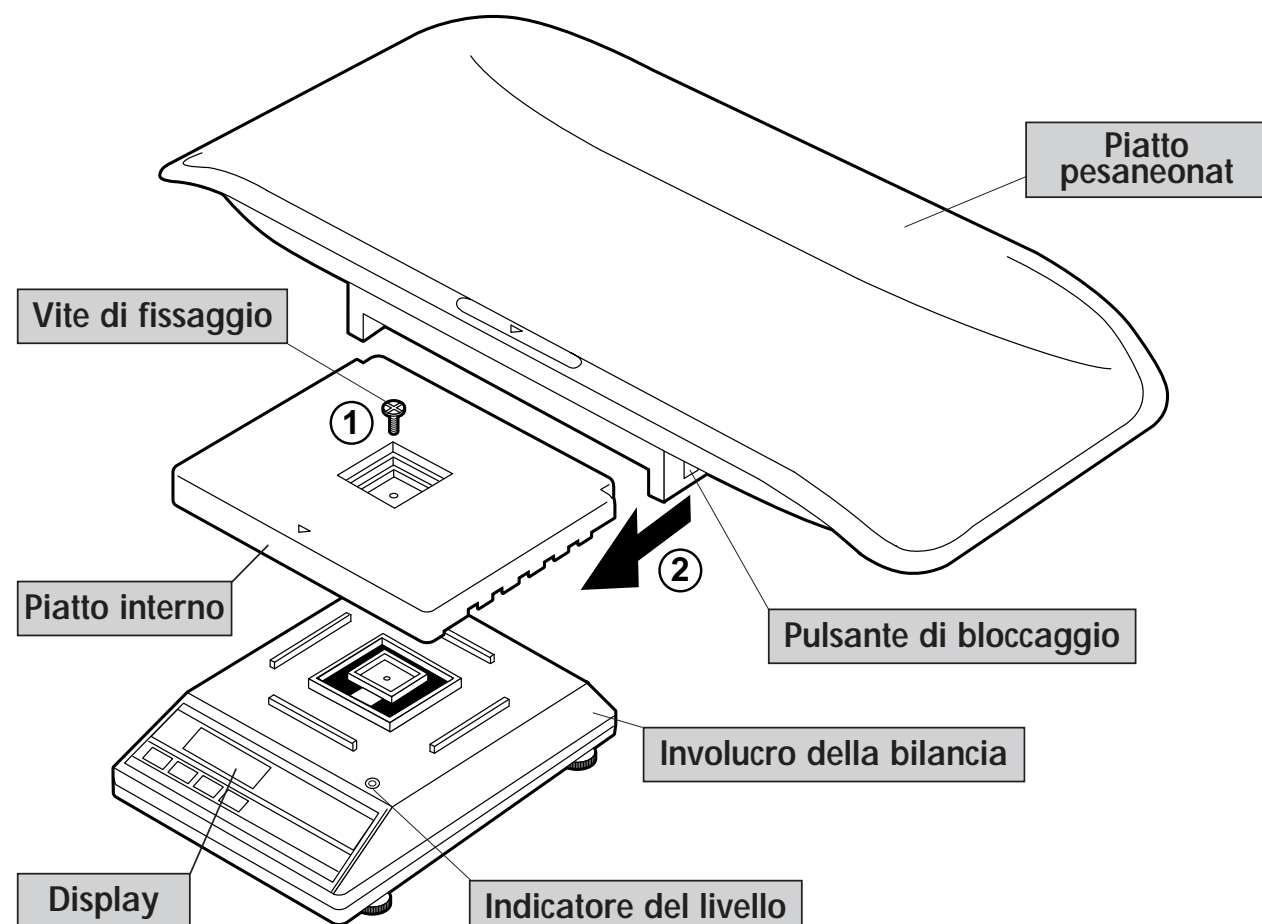
#### <Alimentazione>

	Valore
Voltaggio	230VAC
Frequenza	50Hz
Corrente elettrica	65mA

# 1. Montaggio e componenti del prodotto

■ **Componenti del prodotto** Controllate che nel prodotto siano comprese le seguenti parti.

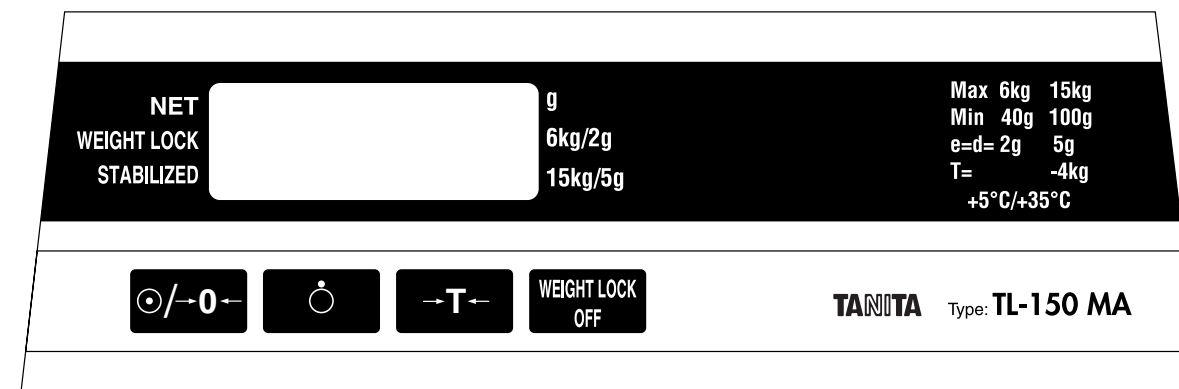
■ **Istruzioni per il montaggio dell'apparecchio**



- ① Mettete il piatto interno sull'involucro protettivo della bilancia e fissatelo con le apposite viti.
  - ② Fate scorrere il piatto pesaneonati dal retro alla parte anteriore del piatto interno.
- \* Quando rimuovete il piatto pesaneonati, fatelo scorrere all'indietro premendo il pulsante di fissaggio.

**⚠ Attenzione** Assicuratevi che le parti siano fissate saldamente e correttamente per impedire che l'apparecchiatura possa capovolgarsi.

■ **Pannello di controllo**



- : Per accendere il display ed azzerarlo.
- : Per spegnere.
- : Per attivare la funzione di pesatura della tara.
- : La funzione "WEIGHT LOCK" è disattivata.

NET : Quando è attivata la funzione di pesatura della tara, appare una freccia accanto a questa icona.

WEIGHTLOCK : Quando la misurazione si è stabilizzata, appare una freccia alla destra della scritta WEIGHTLOCK.  
\* Quando "WEIGHT LOCK OFF" è premuto, la freccia scompare.

STABILIZED : Quando la misura diventa stabile, una freccia compare alla destra di STABILIZED.

■ **Simboli e loro significati**

	: Il display è acceso.		: Conforme alla Direttiva Dispositivi Medici 93/42 EEC.		: Attiva la funzione di pesatura della tara.
	: Azzeramento.		: Il display è spento.		: Parte applicata tipo B.
	: Attenzione. Consultate il presente manuale di istruzioni.		: Apparecchiatura Classe II.		: Corrente continua.

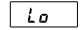


## 2. Preparazione all'uso


### ■ Collegamento e installazione dell'apparecchiatura

#### 1. Preparare la fonte di alimentazione

<Quando usate pile a secco>

Utilizzate sei batterie alcaline C al manganese (LR14) (non in dotazione).

Rimuovete il coperchio del vano batterie nella parte inferiore dell'involucro dell'unità, inserite le batterie correttamente secondo le istruzioni illustrate nel vano batterie e rimettete il coperchio. Se le batterie si stanno esaurendo, sul display apparirà  e  vicino al simbolo . In tal caso, occorrerà cambiare tutte e sei le batterie.

-  • Evitate di applicare una forza eccessiva sull'apparecchiatura durante il montaggio o la sostituzione delle batterie.
- Quando sostituite le batterie, assicuratevi che le batterie nuove siano inserite con la corretta polarità  $\oplus$  e  $\ominus$ . In caso di polarità errata, le batterie potrebbero avere delle perdite e danneggiare l'apparecchiatura.
- Quando non utilizzate l'apparecchiatura per lunghi periodi, rimuovete le batterie prima di riporre l'apparecchiatura.

<Quando usate l'adattatore AC originale>

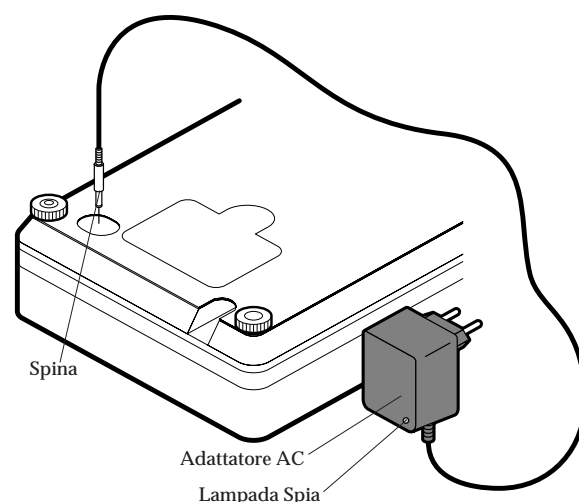
Collegate la spina dell'adattatore AC allo spinotto DC nella parte inferiore dell'involucro dell'unità e collegate l'adattatore AC alla presa nella parete. Quindi confermate che sia accesa la Spia dell'adattatore AC.

#### **Attenzione**

- Non inserite né togliete la spina con le mani umide.
- Non utilizzate l'apparecchiatura vicino all'acqua.

#### **Cautela**

- Usate sempre l'adattatore in dotazione (Modello A30930G) con questa apparecchiatura. Con altri adattatori potrebbero verificarsi dei difetti di funzionamento.



#### 2. Regolazione della livella

Per effettuare delle misurazioni precise, mettete l'unità su una superficie più piana possibile e regolate la livella con i quattro piedini regolabili in modo che la bolla si trovi al centro della cornice.



#### **Cautela**

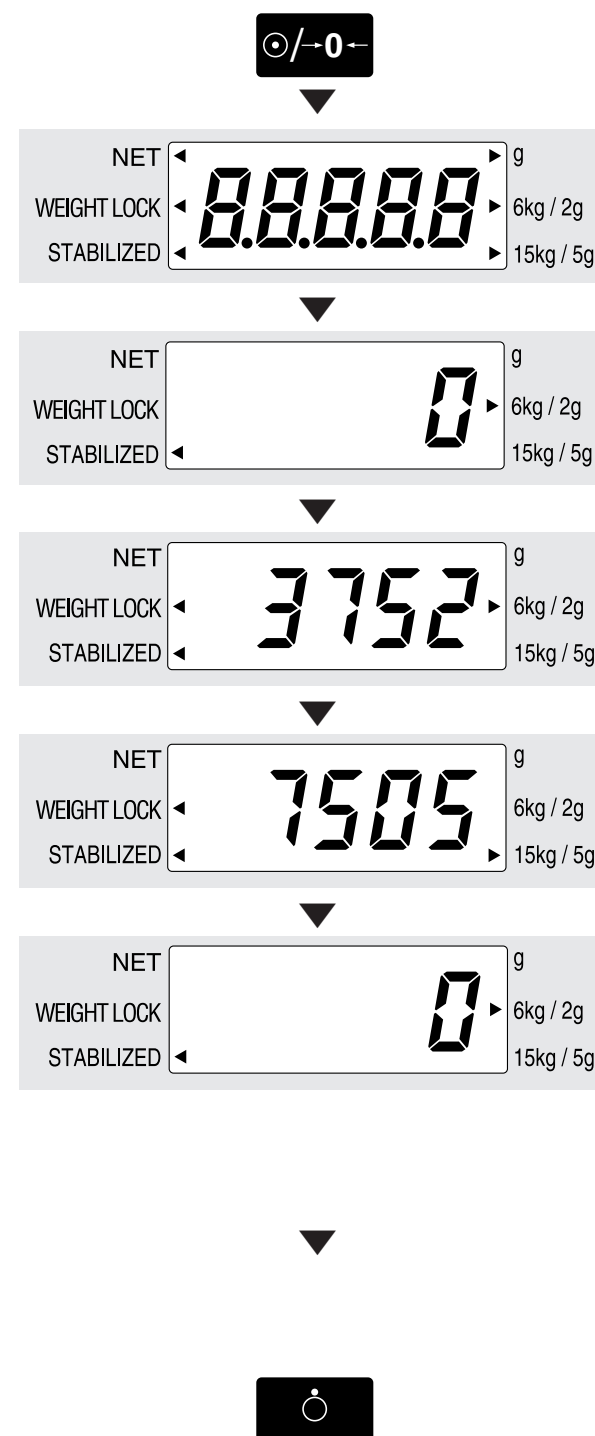
- Assicuratevi che la piattaforma di pesatura sia collocata su una superficie stabile e livellata. Se l'apparecchiatura è utilizzata in condizioni di instabilità, per esempio quando non tutti i piedini sono su una superficie piana, vi è il rischio che la bilancia si capovolga, rendendo così impossibile completare la misurazione.



## 3. Istruzioni per il funzionamento

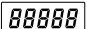
### ■ Misurazione normale

-  • Se l'apparecchio viene trasferito ad un'altra posizione con una differenza di temperatura di oltre 20°C, attendere almeno per due ore prima di usarlo.
- Non usate trasmettitori, come telefoni cellulari, vicino all'apparecchiatura quando è in funzione, perché potrebbero alterare le misurazioni.
-  • La modalità di 6 kg ha una risoluzione di 2 g e la modalità di 15 kg ha una risoluzione di 5 g.
- Se il peso supera 6 kg, la modalità si accende automaticamente alla versione da 15 kg.




#### 1. Accendete l'unità


Premete il tasto .

 lampeggia per quattro secondi nel display.

 viene visualizzato e compare una freccia accanto al simbolo "STABILIZED".

#### 2. Adagiare il bambino nel vassoio

Una freccia () compare accanto a "STABILIZED" e viene visualizzato il peso.

Il peso si fissa automaticamente quando il peso del bambino è stabilizzato e una freccia () compare accanto a "WEIGHT LOCK".



Se il peso supera 6 kg, la modalità passa automaticamente alla versione da 15 kg.




\* La funzione "Weight Lock" fluttua e non fissa dei numeri quando il bambino pesa meno di 500 g.

Per disattivare la funzione del "WEIGHT LOCK" (BLOCCO DEL PESO), premere il tasto "WEIGHT LOCK OFF" (SPEGNIMENTO DEL BLOCCO DEL PESO) durante o dopo la misurazione. Tale funzione verrà automaticamente riattivata per le misurazioni seguenti.


#### 3. La misura è completa

togliere il bambino dal vassoio.

 viene visualizzato e  compare accanto al simbolo "STABILIZED". La modalità è configurata automaticamente alla versione da 6 kg.

 Se  non viene visualizzato premere il tasto .

#### 4. Misure successive

Dopo aver verificato che sia visualizzato , adagiare il bambino nel vassoio.

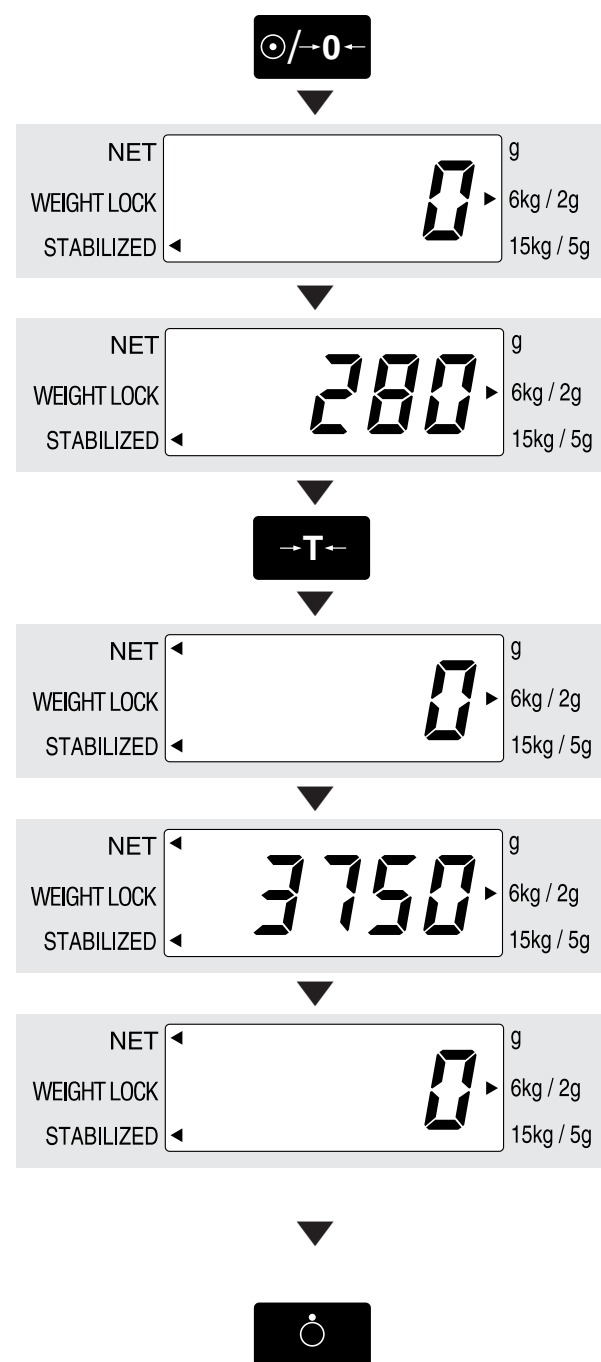
#### 5. Spegnete l'unità

Premete il tasto .

## 4. Risoluzione dei problemi

### ■ Funzione peso tara

- Il peso della tara è possibile soltanto entro la tara massima (4 kg).
- Quando si usa la funzione di pesatura della tara, il campo di misurazione è ridotto dal peso della tara.  
[campo di misurazione] = [capacità massima] - [peso della tara]



#### 1. Accensione

Premere il tasto [ON/OFF].

Dopo che **88888** lampeggia per quattro secondi nel display, viene visualizzato **0** e ◀ compare accanto al simbolo "STABILIZED".

#### 2. Mettere la copertina o l'asciugamano del bambino sul vassoio

Compare una freccia (◀) accanto a "STABILIZED" e viene visualizzato il peso.

#### 3. Premete il tasto [T]

Sul display apparirà **0** e si vedrà ◀ visualizzata sul display accanto a "NET".

#### 4. Adagiare il bambino nel vassoio

Compare una freccia (◀) accanto a "STABILIZED" e viene visualizzato il peso del bambino.

#### 5. La misurazione è completata

Rimuovete il bambino dal piatto. **0** apparirà sul display e si vedrà ◀ accanto a "NET".

#### 6. Misure successive

Dopo aver confermato che **0** sia visualizzato, adagiare il bambino nel vassoio.

#### 7. Spegnete l'unità

Premete il tasto [ON/OFF].

### ■ Spegnimento automatico

Questo apparecchio è dotato di funzione di spegnimento automatico che spegne l'apparecchio automaticamente per ridurre il consumo delle batterie.

Se non viene utilizzato o il display non cambia per dieci minuti, la bilancia si spegne automaticamente.

### ■ Risoluzione dei problemi

Se si verificano dei problemi, fate riferimento alle seguenti istruzioni prima di richiedere delle riparazioni.

Problema	Soluzione
L'unità non si accende quando si preme il tasto [ON/OFF].	<ul style="list-style-type: none"> <li>• Quando si utilizza l'adattatore di CA Accertarsi che il cavo dell'adattatore di CA sia correttamente collegato con l'unità del display. Accertarsi che l'adattatore di CA sia correttamente inserito nella presa di corrente.</li> <li>• Quando si utilizzano le batterie Le batterie sono probabilmente scariche. Confermare che l'apparecchio funziona usando l'adattatore di CA o nuove batterie.</li> </ul>
La misurazione non è corretta	<ul style="list-style-type: none"> <li>• Controllare che tutti i piedi regolabili siano poggiati sopra una superficie piana dopo aver regolato il livello.</li> </ul>
La misura non si stabilizza. Il display si spegne e si accende.	<ul style="list-style-type: none"> <li>• La misura può essere impossibile nel caso di vibrazione eccessiva. Utilizzare l'apparecchio in un'altra posizione.</li> </ul>
Sul display appare -----.	<ul style="list-style-type: none"> <li>• È possibile che sia stata superata la portata massima.</li> <li>• Non mettere un bambino o oggetti nel vassoio prima di iniziare la misura. Iniziare la misura dopo aver controllato che il vassoio sia vuoto.</li> </ul>



## Caratteristiche tecniche

Modello	TL-150MA	
Alimentazione	Adattatore AC Centre minus MOD. A30930G CLASSE 2 Voltaggio entrata : 230VAC 50Hz 65mA Voltaggio uscita : 9VDC±0.45VDC Corrente nominale : 300mA Voltaggio entrata senza carico : 12VDC±0.6VDC 6 pile alcaline (LR14) (non in dotazione)	
Consumo	0.2W max.	
Sistema di misura	Metodo a resistenza elettrica	
Portata massima	6kg , 15kg	
Gradazione minima	6kg : 2g 15kg : 5g *Strumento gamma multipla	
Precisione alla prima taratura	6kg : ±4g 15kg : ±10g	
Gamma pesatura	40g - 6kg 100g - 15kg	
Effetto tara massima	4kg	
Display	LCD (cristalli liquidi) (altezza dei numeri 14 mm)	
Gamma della temperatura per l'uso	+5°C / +35°C	
Umidità relativa	30 - 80% (without condensation)	
Dimensione	Dimensioni vassoio	564 x 276 x 105 (mm)
	Dimensioni unità assemblata	564 x 330 x 190 (mm)
Durata delle batterie	circa 300 ore di uso ininterrotto	

Il prodotto è conforme a tutti i requisiti delle tre norme sotto indicate:

Norme di sicurezza	: EN60601-1:1990, AM N.1:1993, AM N.2:1995 IEC60601-1:1998, AM N.1:1991, AM N.2:1995
Norme EMC	: EN-60601-1-2:1993 IEC60601-1-2:1993
Norme Dispositivi Medici	: 93/42/EEC:1993

<Corporation Responsible in the EU Region>

# TANITA UK LTD.

The Barn, Philpots Close, Yiewsley,  
 Middlesex,  
 UB7 7RY, United Kingdom  
 Tel : 01895-438577 Fax : 01895-438511  
<http://www.tanita.co.uk>

# TANITA

## TANITA Corporation

14-2,1-chome, Maeno-cho, Itabashi-ku  
 Tokyo, Japan  
 Tel:(03)3968-2123 / (03)3968-7048 Fax:(03)3967-3766

## TANITA Corporation of America, inc.

2625 South Clearbrook Drive  
 Arlington Heights, Illinois 60005 U.S.A.  
 Toll Free : (800) 826-4828  
 Tel : 847-640-9241  
 Fax : 847-640-9261  
<http://www.tanita.com>

## TANITA Health Equipment H.K.LTD.

Unit 301-303 3/F Wing On Plaza,  
 62 Mody Road, Tsimshatsui East,  
 Kowloon, Hong Kong  
 Tel : +852-2838-7111  
 Fax : +852-2838-8667

## TANITA Europe GmbH

Dresdener Strasse 25  
 D-71065 Sindelfingen,  
 Germany  
 Tel : 07031-61896  
 Fax : 07031-618971  
<http://www.tanita.de>

## TANITA France s.a.

Villa Labrouste  
 68 Boulevard Bourdon,  
 92200 Neuilly-Sur-Seine,  
 France  
 Tel : 01-55-24-99-99  
 Fax : 01-55-24-98-68  
<http://www.tanita.fr>

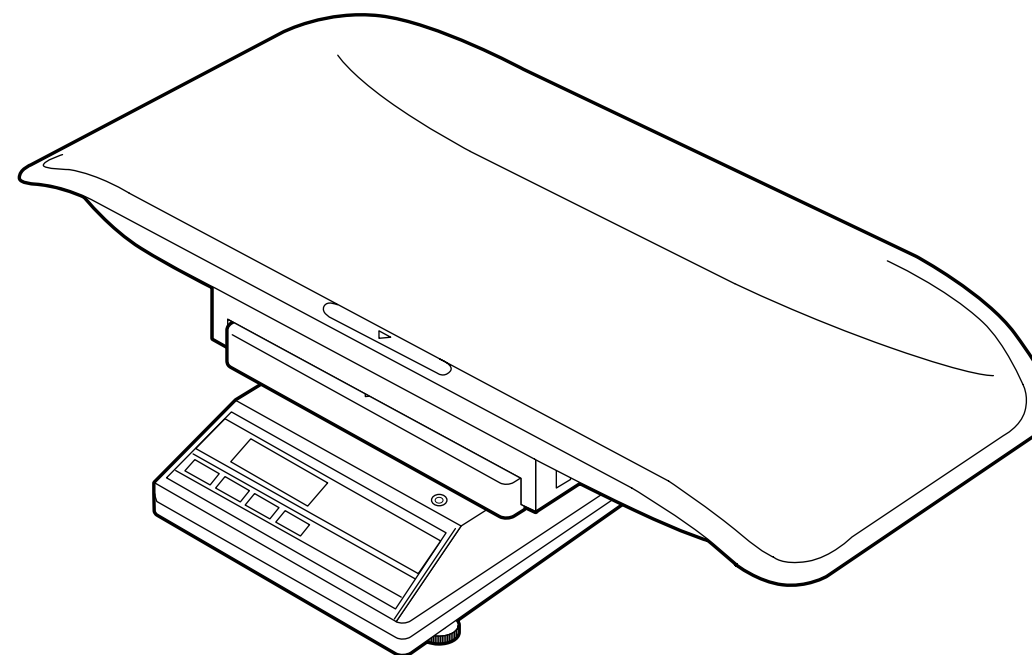
TL1507001(1)

# TANITA

## BÁSCULA ELECTRÓNICA PARA USO PEDIÁTRICO/NEONATAL

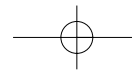
### TL-150MA III

## MANUAL DE INSTRUCCIONES



Por favor, lea cuidadosamente este Manual de Instrucciones  
 y consérvelo para futuras consultas





## Índice

□ Índice.....	63
□ Aplicaciones .....	64
□ Notas de seguridad .....	64
Simbolos de precaución .....	64
▲ Advertencia .....	64
▲ Precaución.....	64
▲ [Mantenimiento].....	65
▲ [Instrucciones de medición].....	65
<Condiciones de uso> .....	65
<Condiciones de almacenamiento> .....	65
<Fuente de alimentación> .....	65
1. Componentes del aparato y su ensamblado.....	66
■ Componentes.....	66
■ Cómo montar el equipo.....	66
■ Panel de control .....	67
■ Símbolos y sus significados .....	67
2. Preparación para el uso.....	68
■ Conexión e instalación del equipo.....	68
1.Preparación de la fuente de alimentación.....	68
2.Nivelación .....	68
3. Instrucciones de funcionamiento .....	69
■ Medición normal.....	69
■ Función de peso con tara .....	70
■ Apagado automático .....	70
4. Resolución de fallos .....	71
■ Resolución de fallos .....	71
□ Especificaciones .....	72

## Aplicaciones




- Este aparato ha sido calibrado como un instrumento de precisión y puede ser usado tanto para certificar el peso de bebés como para certificar transacciones comerciales.
- También puede ser usado para obtener datos de referencia durante las exploraciones médicas, tales como chequeos periódicos, y para supervisar el crecimiento de los bebés.

## Notas de seguridad

### Símbolos de precaución

En este Manual de Instrucciones y en la descripción del equipo se emplean diversos símbolos que le permitirán usar este aparato correctamente y con seguridad, de tal modo que usted se evitará daños y los evitará a otras personas o bienes.

Los símbolos y su significado se detallan a continuación. Asegúrese de haberlos entendido bien antes de seguir con el Manual de Instrucciones.

	<b>Advertencia</b>	Este símbolo advierte de la posibilidad de que alguna persona pueda resultar gravemente herida o incluso muerta, si no se hace caso de lo indicado y se hace un uso indebido del aparato.
	<b>Precaución</b>	Este símbolo advierte de la posibilidad de resultar herido o de que el aparato resulte dañado si no se hace caso de las instrucciones de seguridad y se hace un uso indebido del aparato.
		Este símbolo señala los cuidados de tipo general que se han de tener en cuenta a la hora de manejar el aparato.

### Advertencia

- Para evitar descargas eléctricas  
No enchufe o desenchufe el cordón de corriente con las manos húmedas.
- Para evitar incendios fortuitos  
Use siempre un cordón para 230 V AC en buen estado, no use bases de conectores múltiples.
- Para prevenir que el equipo se vuelque, se ruega asegurar que se montan los componentes de manera segura y precisa. (Véase página 66 "Cómo montar el equipo")

### Precaución

- Para prevenir la propagación de infecciones  
Limpie siempre la plataforma de pesaje después de su uso.  
Esterilice la plataforma con algún líquido limpiador que contenga alcohol antes de cada uso.
- Instalación del aparato  
Asegúrese de que la plataforma de pesaje se encuentre sobre una superficie nivelada y estable. Si el aparato se usara cuando se encuentra inestable, por ejemplo si los pies no están sobre una superficie nivelada, existe el riesgo de que la báscula se leade y sea imposible obtener mediciones fiables.
- Mediciones  
Ponga siempre el máximo cuidado cuando deposite a un bebé sobre la canastilla. Asegúrese de que no haya riesgo de que el aparato vuelque.  
Para evitar la caída del aparato, asegúrese siempre de que la pesada está siendo supervisada adecuadamente a fin de evitar el vuelco del aparato.
- Adaptador AC  
Asegúrese de usar siempre el adaptador suministrado con el aparato (Modelo: A30930G). Otros adaptadores pueden ser causa de un mal funcionamiento.
- Pilas  
Cuando cambie las pilas asegúrese de que las nuevas pilas estén colocadas según la polaridad correcta ⊕ y ⊖. Si la polaridad fuera incorrecta, las pilas pueden gotear y dañar el aparato.

- Cómo manejar el equipo al trasladarlo  
Cuando cargue con el equipo no lo levante por la canastilla.  
Traslade el aparato sujetando firmemente el cuerpo principal.
- La caja de circuitos lleva incorporado un fusible (100 mA, 125 V) para aparatos electrónicos. Como medida de seguridad, si se usa un adaptador AC diferente del original o se aplica una corriente eléctrica elevada, el fusible se fundirá. Si el fusible se funde el aparato deberá ser revisado y reparado. Dado que el fusible es una parte fija de la unidad y no puede ser fácilmente desmontado por el cliente, diríjase al agente o a la oficina de ventas de Tanita más próxima cuando el fusible haya de ser reemplazado.
- Para evitar herirse o estropear el aparato, no introduzca los dedos entre el plato interno y el cuerpo de la báscula.

### [Mantenimiento]

Dado que este es un producto fabricado y calibrado con la máxima precisión, le rogamos que tenga en cuenta las siguientes instrucciones.

- Nunca desarme o ajuste el aparato, ya que puede causar disfunciones. Este equipo únicamente será revisado siguiendo la normativa de cada país.
- No aplique una fuerza excesiva sobre el aparato cuando lo esté montando o cuando cambie las pilas.
- No limpie el aparato con productos químicos corrosivos (bencina, limpiadores, etc. ). Use un detergente neutro para limpiarlo.
- No someta este aparato a vibraciones o choques excesivos.
- Si no va a utilizar este aparato durante largo tiempo, desconecte el adaptador AC de la toma de corriente de la pared.
- Si no va a utilizar este aparato durante largo tiempo, extraiga las pilas antes de guardar el aparato.
- Cuando traslade el aparato, use como caja el embalaje original del equipo.
- Cuando deseche este aparato, hágalo siguiendo la normativa de su país.
- La garantía se invalidará si una persona no autorizada intenta desmontar o reparar cualesquiera de los componentes. Cuando la unidad funcione incorrectamente, se ruega consultar a la oficina de ventas o al agente de Tanita más próximo.

### [Instrucciones de medicion]

- La medición no será posible sobre una superficie que vibre mucho. En tal caso, traslade el aparato a una superficie estable con pocas o ninguna vibración.
- Cuando el aparato sea trasladado a un nuevo emplazamiento donde haya una diferencia de temperatura superior a 20°C, espere al menos dos horas antes de utilizarlo.
- No use transmisores, tales como teléfonos portátiles, cerca del equipo cuando éste esté en uso. Esto puede afectar a las lecturas.
- Asegúrese de que sobre la canastilla haya una toalla o una tela cuando se pese a un bebé.

#### <Condiciones de uso>

Intervalo de temperatura de uso	: 5°C / 35°C
Humedad relativa	: 30% / 80% (sin condensación)

#### <Condiciones de almacenamiento>

Intervalo de temperatura ambiental	: -10°C / 50°C
Intervalo de humedad relativa	: 10% / 90% (sin condensación)

Para evitar el mal funcionamiento, no guardar el equipo bajo la luz directa del sol, cambios de temperatura significativos, riesgo de humedad, una gran cantidad de polvo, cerca de llamas o donde corra el riesgo de recibir vibraciones o sacudidas.

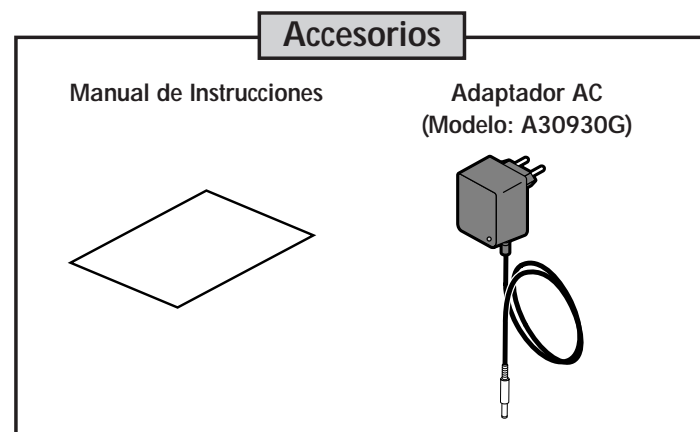
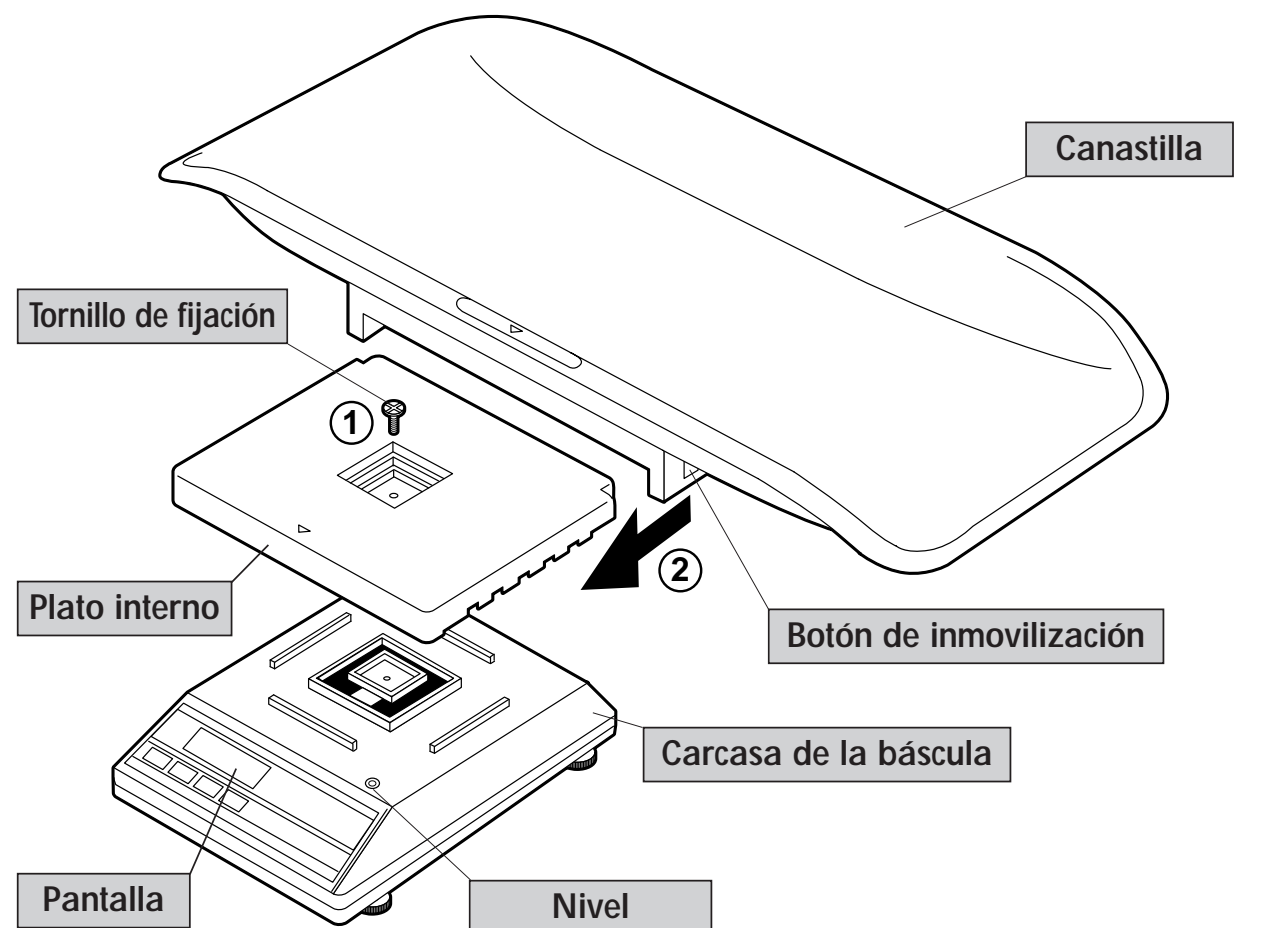
#### <Fuente de alimentacion>

	Intervalo de valores
Intervalo de voltaje	230VAC
Intervalo de frecuencia	50Hz
Intervalo de corriente eléctrica	65mA

# 1. Componentes del aparato y su ensamblado

■ **Componentes** Asegúrese de que están incluidos los siguientes componentes.

■ **Cómo montar el equipo**



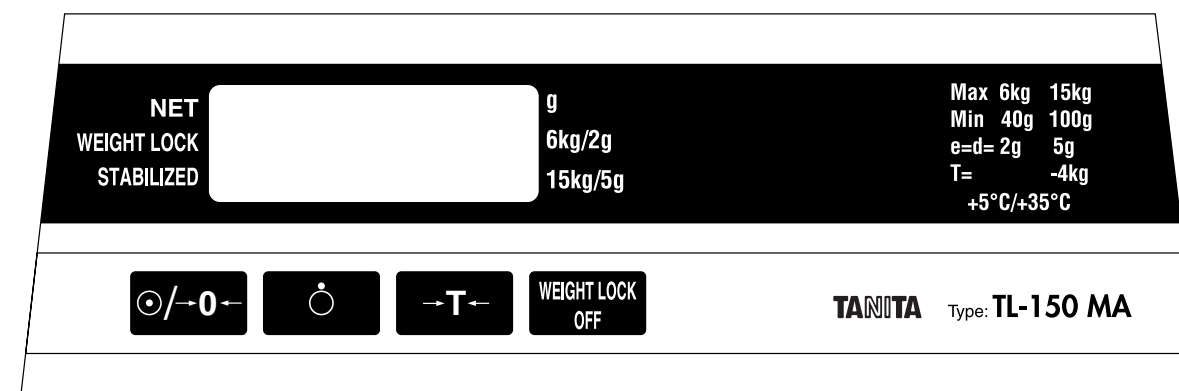
① Coloque el plato interior sobre la carcasa de la báscula y fíjelo firmemente mediante el tornillo de fijación.

② Deslice la canastilla desde la parte posterior del plato interior hacia adelante.

\* Cuando quite la canastilla deslicela hacia atrás mientras pulsa el botón de bloqueo.

**Advertencia** Asegúrese de que todas las partes hayan sido fijadas de modo seguro a fin de evitar que el aparato vuelque.

■ **Panel de control**



- : Conecta la pantalla y la pone a cero.
- : Desconecta el aparato.
- : Pone en marcha la función de tara.
- : La función de "WEIGHT LOCK" (bloqueo de peso) está desactivada.

NET : Una flecha aparece junto a este símbolo cuando la función tara está en uso.

WEIGHTLOCK : Cuando las mediciones se estabilizan una flecha aparece a la derecha de WEIGHTLOCK.  
\* Cuando se pulsa "WEIGHT LOCK OFF" (bloqueo de peso desactivado), desaparecerá la flecha.

STABILIZED (Estable) : Cuando la medida se estabiliza, aparecerá una flecha a la derecha de STABILIZED.

■ **Símbolos y sus significados**

	: La pantalla está encendida		: Conformidad con la Directriz Comunitaria 93/42EEC sobre aparatos médicos		: Pone en marcha la función tara
	: Puesta a cero		: La pantalla está apagada		: Parte aplicada tipo B
	: Peligro. Consulte el Manual de Instrucciones		: Equipo clase II		: Corriente continua

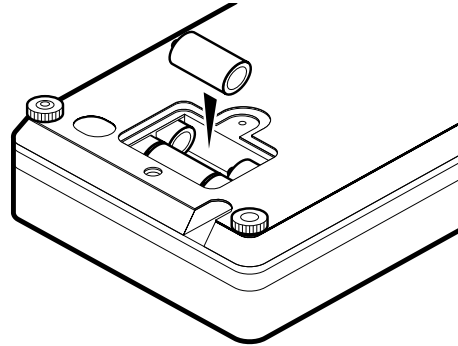
## 2.Preparación para el uso

### ■ Conexión e instalación del equipo

#### 1. Preparación de la fuente de alimentación

<Cuando se usan pilas>

Use seis pilas alcalinas de manganeso C. (LR14) (no incluidas). Extraiga la tapa del compartimiento para las pilas de la base de la caja de la unidad de pesado, coloque correctamente las pilas tal y como se explica en el interior del compartimiento para las pilas y vuelva a colocar la tapa. Si las pilas se estuvieran agotando, la pantalla mostrará **Lo** y ▶ aparecerá junto al símbolo . En tal caso cambie, por favor, las seis pilas.



- ⚠ No aplique una fuerza excesiva sobre el aparato cuando lo esté montando o cuando cambie las pilas.
- ⚠ Cuando cambie las pilas asegúrese de que las nuevas pilas estén colocadas según la polaridad correcta ⊕ y ⊖. Si la polaridad fuera incorrecta, las pilas pueden gotear y dañar el aparato.
- Si no va a utilizar este aparato durante largo tiempo, extraiga las pilas antes de guardar el aparato.

<Cuando se usa el adaptador de corriente alterna AC>

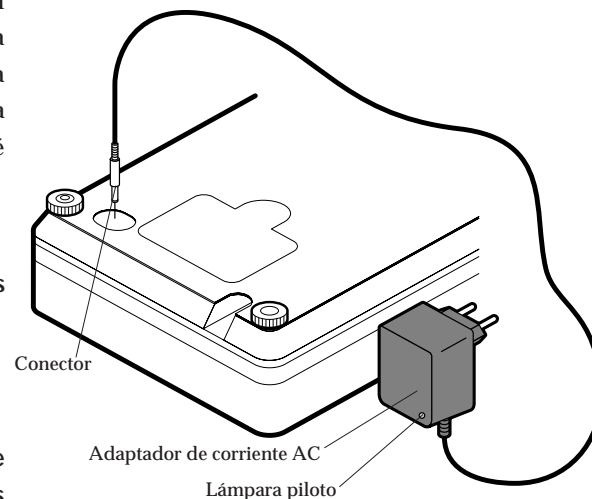
Inserte el conector del adaptador de corriente AC en el enchufe de corriente continua DC en la base de la carcasa de la báscula y conecte el adaptador en la toma de corriente mural. Compruebe entonces que la lámpara piloto del adaptador de corriente AC esté iluminada.

#### ⚠ Advertencia

- No conecte o desconecte el enchufe con las manos mojadas.
- No utilice este equipo cerca del agua

#### ⚠ Precaución

- Asegúrese de que siempre se usa el adaptador de corriente suministrado (Modelo: A30930G). Otros adaptadores podrían causar problemas de funcionamiento.



#### 2. Nivelación

Para obtener mediciones precisas sitúe la unidad en una superficie tan plana como sea posible y ajuste el nivel mediante las cuatro patas regulables hasta que la burbuja del nivel se sitúe en su centro.



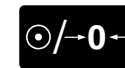
#### ⚠ Precaución

- Asegúrese de que la plataforma de pesaje se encuentre sobre una superficie nivelada y estable. Si el aparato se usara cuando se encuentra inestable, por ejemplo si los pies no están sobre una superficie nivelada, existe el riesgo de que la báscula se ladee y sea imposible obtener mediciones fiables.

## 3.Instrucciones de funcionamiento

### ■ Medición normal

- ⚠ Cuando se mueva el equipo a otra ubicación, donde haya una diferencia de temperatura de más de 20 ° C con la ubicación anterior, dejar en su nuevo sitio durante al menos 2 horas antes de utilizarlo.
- No use transmisores, tales como teléfonos portátiles, cerca del equipo cuando éste esté en uso. Esto puede afectar a las lecturas.
- ⚠ El modo de 6 Kg. tiene una resolución de 2 g y el modo de 15 Kg. tiene una resolución de 5 g.
- Si el peso excede 6 Kg., el modo cambiará automáticamente a la versión de 15 Kg.



#### 1. Accione el encendido

Pulse la tecla .

**88888** destellará en la pantalla durante cuatro segundos.

Se visualizará y aparecerá una flecha junto al símbolo de "STABILIZED".

#### 2. Coloque al bebé en la bandeja para bebés

Aparecerá una flecha (◀) junto a "STABILIZED" y se visualizará el peso. El peso se bloqueará automáticamente cuando se haya estabilizado el peso del bebé y aparecerá una flecha (◀) junto a "WEIGHT LOCK".

Si el peso excede 6 Kg., el modo cambiará automáticamente a la versión de 15 Kg.

\* La función de "Bloqueo de peso" fluctúa y no se bloquea ningún número cuando el peso del bebé es menos de 500 g. Para desactivar la función "WEIGHT LOCK" (SOLO PESO), presionar la tecla "WEIGHT LOCK OFF" (SOLO PESO OFF) durante o después de la medición. La función "SOLO PESO" se reactivará automáticamente para posteriores mediciones.

#### 3. Se ha completado la medición

Quitar al bebé de la bandeja para bebés. Se visualizará y aparecerá ◀ junto al símbolo de "STABILIZED". El modo se fijará automáticamente en la versión de 6 Kg.

⚠ Si no se visualiza , pulse la tecla .

#### 4. Mediciones posteriores

Una vez que se visualice , coloque al bebé en la bandeja para bebés.

#### 5. Apague el aparato

Pulse la tecla .

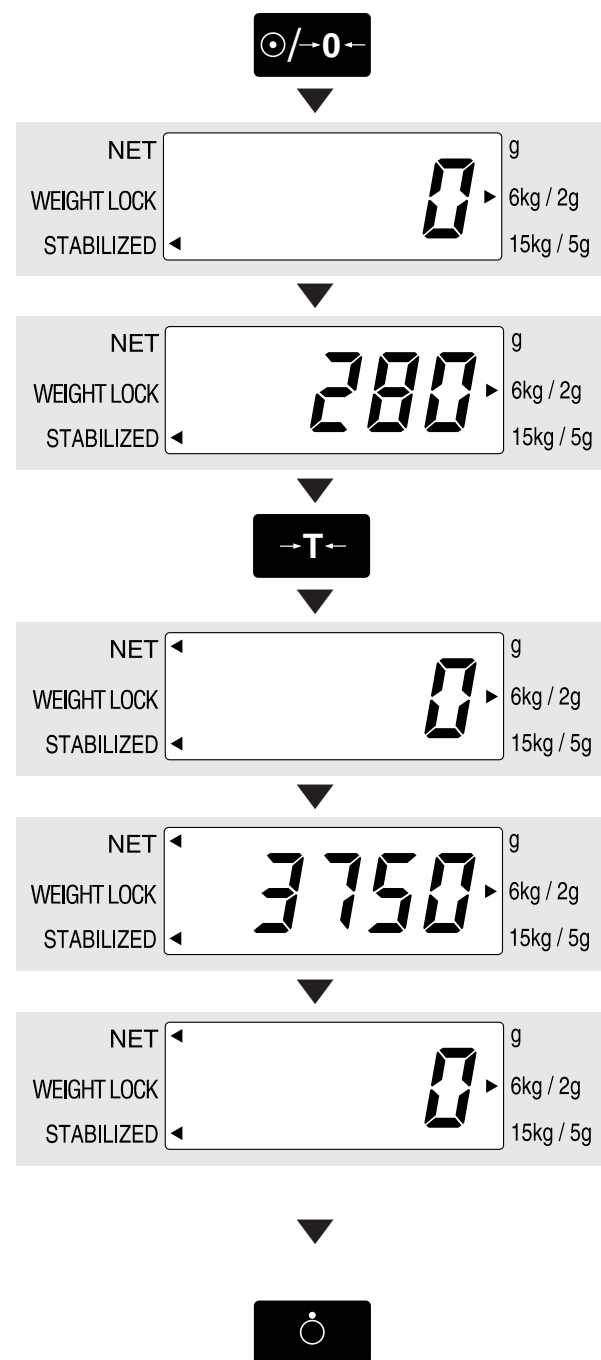


## 4. Resolución de fallos

### Función de peso con tara

- Tan sólo es posible realizar mediciones con la función de tara dentro del peso máximo de tara (4 Kg).
- Cuando se utiliza la función de pesada con tara el intervalo de medición se reduce tanto como el peso de la tara.  

$$[\text{Intervalo de medición}] = [\text{Capacidad máxima}] - [\text{Peso de la tara}]$$



#### 1. Encienda la báscula

Pulse la tecla [ ].

Después de que destelle **00000** en la pantalla durante cuatro segundos, se visualizará **0** y ◀ aparecerá junto al símbolo de "STABILIZED".

#### 2. Coloque la manta (toalla, etc.) del bebé en la bandeja para bebés

Aparecerá una flecha (◀) junto a "STABILIZED" y se visualizará el peso.

#### 3. Pulse la tecla [ ]

Se mostrará **0** en la pantalla y una flecha ◀ aparecerá junto a "NET".

#### 4. Coloque al bebé en la bandeja para bebés

Aparecerá una flecha (◀) junto a "STABILIZED" y se visualizará el peso del bebé.

#### 5. La medición ha finalizado

Saque al niño de la canastilla.  
Se mostrará **0** y una flecha ◀ aparecerá junto a "NET".

#### 6. Mediciones posteriores

Una vez que se visualice **0**, coloque al bebé en la bandeja para bebés.

#### 7. Apague el aparato

Pulse la tecla [ ].

### Apagado automático

Este equipo tiene una función de apagado automático que corta automáticamente la energía para reducir el consumo de las pilas. Si no se utiliza el equipo o la visualización no cambia durante diez minutos, se apagará automáticamente.

### Resolución de fallos

Si tiene problemas, consulte, por favor, las siguientes instrucciones antes de llamar al servicio de reparación.

Problema	Solución
La unidad no se pone en marcha al pulsar la tecla [  ].	<ul style="list-style-type: none"> <li>• Si se utiliza un adaptador de CA Asegurar que el cable del adaptador de CA está conectado correctamente a la pantalla. Asegurar que el adaptador de CA se enchufa correctamente a la toma de red.</li> <li>• Si se utilizan pilas Puede que las pilas se hayan gastado. Compruebe que el equipo funciona utilizando el adaptador de CA o pilas nuevas.</li> </ul>
La medición no es correcta	<ul style="list-style-type: none"> <li>• Compruebe que todas las patas ajustables reposan sobre una superficie plana una vez que se ha ajustado el nivel.</li> </ul>
No se estabilizan las medidas. La pantalla se enciende y apaga.	<ul style="list-style-type: none"> <li>• Puede ser imposible realizar una medición si hay un exceso de vibración. Utilice el equipo en otro sitio.</li> </ul>
En la pantalla aparece <b>-----</b> .	<ul style="list-style-type: none"> <li>• Es posible que se haya excedido la capacidad máxima de peso.</li> <li>• No coloque un bebé ni ningún objeto en la bandeja para bebés antes de comenzar a pesar. Comience a pesar una vez que haya comprobado que no hay nada en la bandeja para bebés.</li> </ul>



# Especificaciones

Modelo	TL-150MA
Fuente de alimentación	AC adapter Centre minus MODEL A30930G CLASS 2 Input Voltage : 230VAC 50Hz 65mA Output Voltage : 9VDC±0.45VDC Rated Current : 300mA No Load Input Voltage : 12VDC±0.6VDC Alkali battery (LR14) x 6, (Not included)
Consumo	0.2W max.
Sistema de pesado	Electrical resistance method
Capacidad máxima	6kg , 15kg
Graduación mínima	6kg : 2g 15kg : 5g *Instrumento de campo múltiple
Precisión durante la primera calibración	6kg : ±4g 15kg : ±10g
Campo de peso	40g - 6kg 100g - 15kg
Efecto máximo de la tara	4kg
Pantalla	LCD (Cristal líquido) (altura de las cifras 14mm)
Campo de temperatura funcional	+5°C / +35°C
Humedad relativa	30 - 80%(sin condensación)
Tamaño	Canastilla
	Dimensiones montado
Duración de las pilas	Aproximadamente 300 horas de uso continuado

Este producto cumple todos los requisitos de las siguientes normas:

Normas de seguridad	: EN60601-1:1990, AM No.1:1993, AM No.2:1995 IEC60601-1:1988, AM No.1:1991, AM No.2:1995
Normas EMC	: EN-60601-1-2:1993 IEC60601-1-2:1993
Normas directrices para aparatos médicos	: 93/42/EEC:1993

<Corporation Responsible in the EU Region>

## TANITA UK LTD.

The Barn, Philpots Close, Yiewsley,  
Middlesex,  
UB7 7RY, United Kingdom  
Tel : 01895-438577 Fax : 01895-438511  
<http://www.tanita.co.uk>

## TANITA

### TANITA Corporation

14-2,1-chome, Maeno-cho, Itabashi-ku  
Tokyo, Japan  
Tel:(03)3968-2123 / (03)3968-7048 Fax:(03)3967-3766

### TANITA Corporation of America, inc.

2625 South Clearbrook Drive  
Arlington Heights, Illinois 60005 U.S.A.  
Toll Free : (800) 826-4828  
Tel : 847-640-9241  
Fax : 847-640-9261  
<http://www.tanita.com>

### TANITA Health Equipment H.K.LTD.

Unit 301-303 3/F Wing On Plaza,  
62 Mody Road, Tsimshatsui East,  
Kowloon, Hong Kong  
Tel : +852-2838-7111  
Fax : +852-2838-8667

### TANITA Europe GmbH

Dresdener Strasse 25  
D-71065 Sindelfingen,  
Germany  
Tel : 07031-61896  
Fax : 07031-618971  
<http://www.tanita.de>

### TANITA France s.a.

Villa Labrouste  
68 Boulevard Bourdon,  
92200 Neuilly-Sur-Seine,  
France  
Tel : 01-55-24-99-99  
Fax : 01-55-24-98-68  
<http://www.tanita.fr>

## Free Manuals Download Website

<http://myh66.com>

<http://usermanuals.us>

<http://www.somanuals.com>

<http://www.4manuals.cc>

<http://www.manual-lib.com>

<http://www.404manual.com>

<http://www.luxmanual.com>

<http://aubethermostatmanual.com>

Golf course search by state

<http://golfingnear.com>

Email search by domain

<http://emailbydomain.com>

Auto manuals search

<http://auto.somanuals.com>

TV manuals search

<http://tv.somanuals.com>