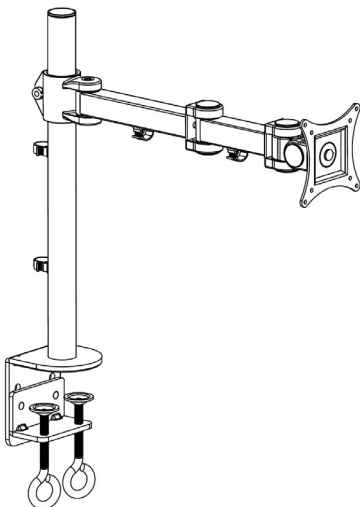




Articulating Monitor Desk Mount - 13" to 27"

Installation Instructions



Unpacking

- Carefully remove contents and lay out on cardboard or other protective surface
- Check package contents against the parts list to ensure that all components were received undamaged. Do not use damaged or defective parts
- Carefully read all instructions before attempting installation

Safety Information

- Use proper safety equipment during installation
- If you don't understand the installation instructions, please consult an installation specialist
- Do not use this product for any purpose or in any configuration not explicitly specified in these instructions

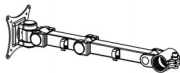
Parts List



a - (1x) 35mm
Tube Support



b - (1x) C Clamp



c - (1x) Vesa
Plate with Arm



d - (4x) M4x12 Bolt



e - (4x) M4x30 Bolt



f - (8x) M4 Washer



(4x) M4 Spacer



h - (2x) Wire Clip



i - (2x) M10x15 Bolt



j - (1x) Allen Key



k - (2x) Spare
Plastic Cover

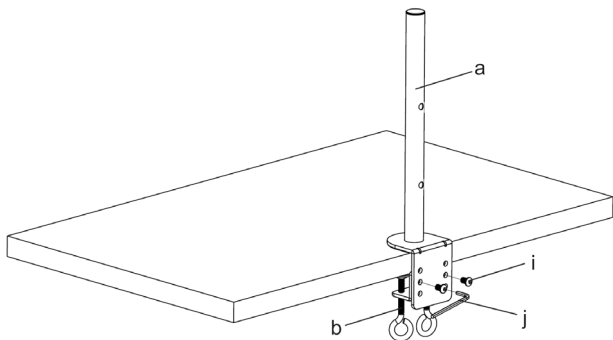
Tools Required

- Phillips screwdriver

Installation

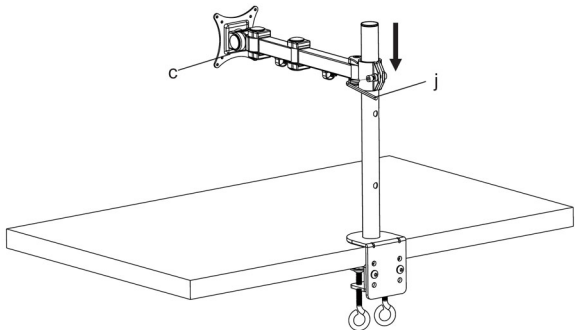
Caution: This monitor desk mount must be securely attached to the horizontal desktop. If the mount is not properly installed it may fall, resulting in possible injury and/or damage.

1. Install the C Clamp (b) to the 35mm Tube Support (a) according to the thickness of the desktop. The thickness can be changed in three positions. Connect it using 2 M10x15 Bolts (i) and tighten using the Allen Key (j). Tighten the C Clamp to the desktop using the 2 eye bolts.

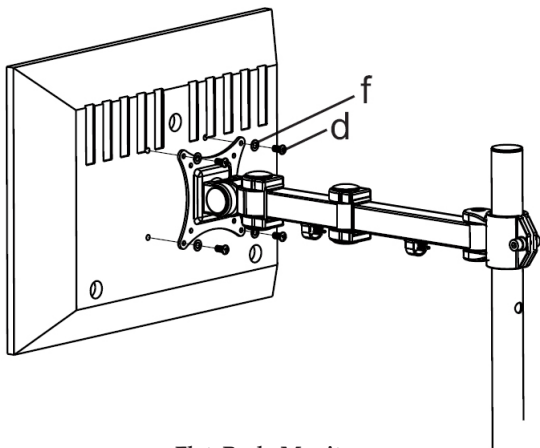


2. Install the Vesa Plate with Arm (c) to the tube support, make sure the wire clips are on the bottom. Tighten the clamp bolt using the Allen Key (j).

Caution: When installing the VESA Plate with Arm (c), DO NOT over tighten the clamp bolt. The VESA Plate with Arm is intended to rotate (360 degrees) and is not meant to be attached in a fixed position. Tighten the bolt only tight enough to keep the VESA Plate with Arm at the desired height position. Over tightening the bolt may result in damage to the clamp.

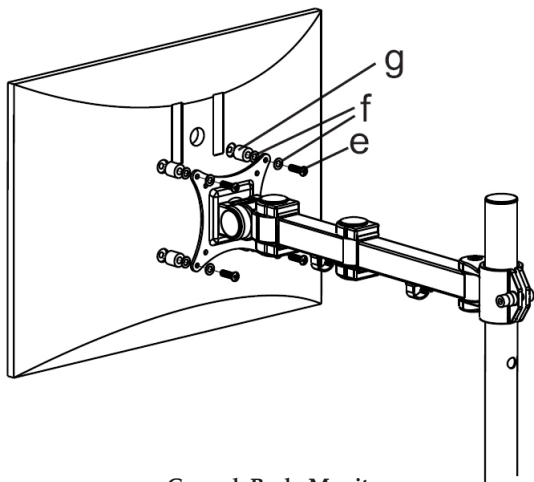


3. Mount the monitor to the Vesa plate.
- 3-1. For flat back monitors use M4x12 Bolt (d) and M4 Washer (f).



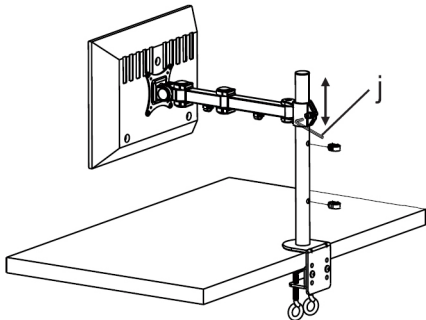
Flat Back Monitor

3-2. For curved back monitors use M4 Spacer (g), M4x30 Bolt (e) and M4 Washer (f).

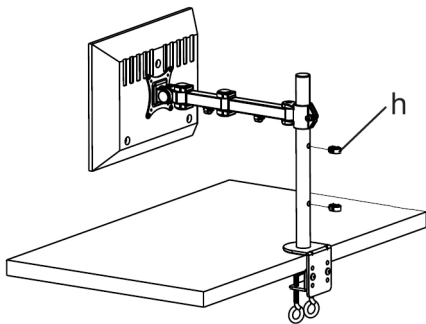


Curved Back Monitor

4. Adjust the height and install the Wire Clips (h).

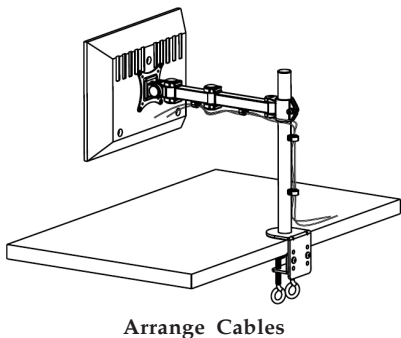
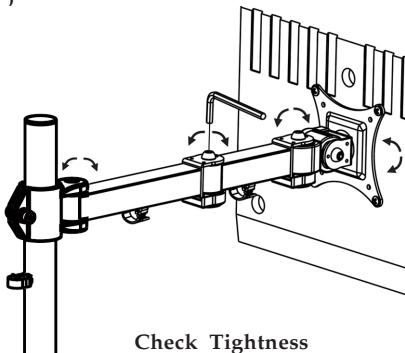


Adjust Height



Install Wire Clips

5. Check the tightness, arrange the cables through the wire clips, and make any final adjustments.



Blank Page

Technical Support and Warranty

QUESTIONS? SIIG's **Online Support** has answers! Simply visit our web site at www.siig.com and click **Support**. Our online support database is updated daily with new drivers and solutions. Answers to your questions could be just a few clicks away. You can also submit questions online and a technical support analyst will promptly respond.

SIIG offers a 5-year manufacturer warranty with this product. This warranty covers the original purchaser and guarantees the product to be free of any defects in materials or workmanship for five (5) years from the date of purchase of the product.

SIIG will, at our discretion, repair or replace (with an identical product or product having similar features and functionality) the product if defective in materials or workmanship. This warranty gives you specific legal rights, and you may also have other rights which vary from state to state. Please see our web site for more warranty details.

If you encounter any problems with this product, please follow the procedures below.

- A) If it is within the store's return policy period, please return the product to the store where you purchased from.
- B) If your purchase has passed the store's return policy period, please follow the steps below to have the product repaired or replaced.

Step 1: Submit your RMA request.

Go to www.siig.com, click **Support**, then **RMA** to submit a request to [SIIG RMA](#) or fax a request to 510-657-5962. Your RMA request will be processed, if the product is determined to be defective, an RMA number will be issued.

Step 2: After obtaining an RMA number, ship the product.

- Properly pack the product for shipping. All accessories that came with the original package must be included.
- Clearly write your RMA number on the top of the returned package. SIIG will refuse to accept any shipping package, and will not be responsible for a product returned without an RMA number posted on the outside of the shipping carton.
- You are responsible for the cost of shipping to SIIG. Ship the product to the following address:

SIIG, Inc.
6078 Stewart Avenue
Fremont, CA 94538-3152, USA
RMA #: _____

- SIIG will ship the repaired or replaced product via Ground in the U.S. and International Economy outside of the U.S. at no cost to the customer.

About SIIG, Inc.

Founded in 1985, SIIG, Inc. is a leading manufacturer of IT connectivity solutions (including Serial ATA and Ultra ATA Controllers, FireWire, USB, and legacy I/O adapters) that bridge the connection between Desktop/Notebook systems and external peripherals. SIIG continues to grow by adding A/V and Digital Signage connectivity solutions to our extensive portfolio.

SIIG products offer comprehensive user manuals, many user-friendly features, and are backed by an extensive manufacturer warranty. High quality control standards are evident by the overall ease of installation and compatibility of our products, as well as one of the lowest defective return rates in the industry. SIIG products can be found in computer retail stores, mail order catalogs, through major distributors, system integrators, and VARs in the Americas and the UK, and through e-commerce sites.

<p>PRODUCT NAME</p>

<p>Articulating Monitor Desk Mount 13" to 27"</p>

Articulating Monitor Desk Mount - 13" to 27" is a trademark of SIIG, Inc. SIIG and the SIIG logo are registered trademarks of SIIG, Inc. All other names used in this publication are for identification only and may be trademarks of their respective owners.

June, 2011

Copyright © 2011 by SIIG, Inc. All rights reserved.

Free Manuals Download Website

<http://myh66.com>

<http://usermanuals.us>

<http://www.somanuals.com>

<http://www.4manuals.cc>

<http://www.manual-lib.com>

<http://www.404manual.com>

<http://www.luxmanual.com>

<http://aubethermostatmanual.com>

Golf course search by state

<http://golfingnear.com>

Email search by domain

<http://emailbydomain.com>

Auto manuals search

<http://auto.somanuals.com>

TV manuals search

<http://tv.somanuals.com>