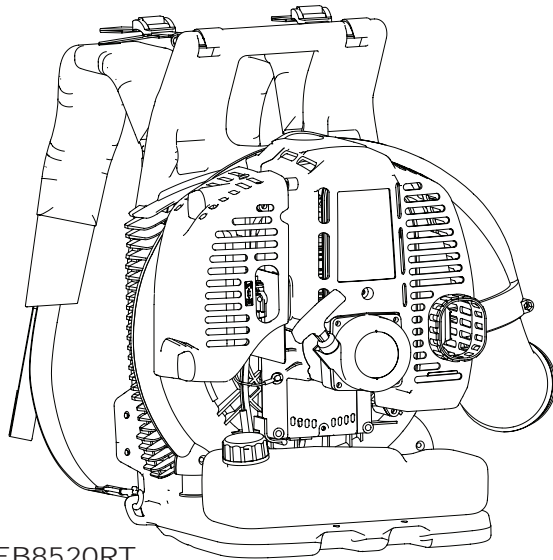


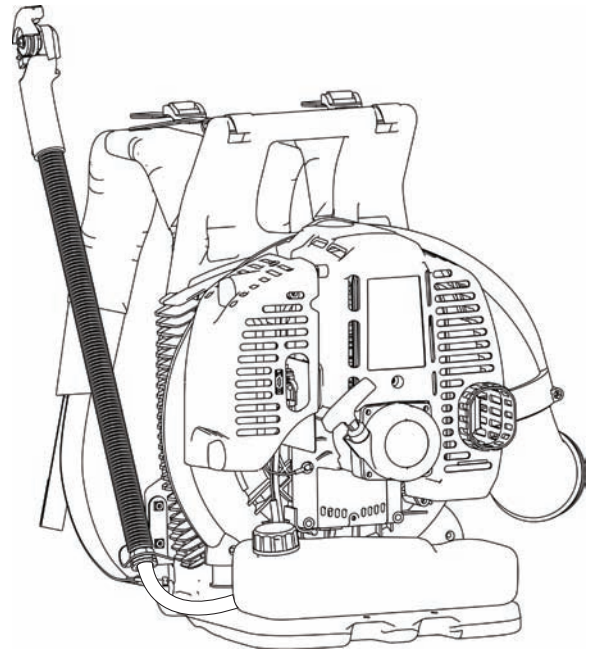
English 1
Español..... SP_1
Français..... FR_1

SHINDAIWA OWNER'S/OPERATOR'S MANUAL

EB8520 BLOWER
EB8520RT BLOWER



EB8520RT



EB8520



WARNING!

Minimize the risk of injury to yourself and others! Read this manual and familiarize yourself with the contents. Always wear eye and hearing protection when operating this unit.


shindaiwa®

Part Number 68915-94310 Rev. 9/08

Introduction

The Shindaiwa EB8520 has been designed and built to deliver superior performance and reliability without compromise to quality, comfort, safety, or durability.

The information contained in this manual describes units available at the time of production. While every attempt has been made to give you the very latest information about your Shindaiwa EB8520 blower. There may be some differences between your EB8520 blower and what is described here.

 **WARNING!**
The engine exhaust from this unit contains chemicals known to the State of California to cause cancer, birth defects or other reproductive harm.

CAUTION!
This blower is equipped with a spark-arresting muffler! Never operate this unit without both the muffler and spark arrester installed and properly functioning!

Shindaiwa Inc. reserves the right to make changes in production without prior notice, and without obligation to make alterations to units previously manufactured.

IMPORTANT!

Before using this unit, consult local regulations concerning noise restrictions and hours of operation!

Contents


	PAGE		PAGE		PAGE
Attention Statements	2	Mixing Fuel	8	Maintenance	11
General Safety Instructions	3	Filling the Fuel Tank	8	Storage	13
Unit Description	5	Starting and Stopping the Blower	8	Troubleshooting Guide	14
Specifications.....	5	Adjusting Engine Idle Speed.....	9	Emission System Warranty.....	17
Assembling the Blower	6	Using the Blower	10		

IMPORTANT!

The operational procedures described in this manual are intended to help you get the most from this unit and also to protect you and others from harm. These procedures are general guidelines only, and are not intended to replace any safety rules/laws that may be in force in your area. If you have any questions regarding your EB8520 blower, or if you do not understand something in this manual, your Shindaiwa dealer will be glad to assist you. For additional information, you may also contact Shindaiwa Inc. at the address printed on the back of this manual.

Attention Statements

Throughout this manual are special "Attention Statements".

 **WARNING!**
A statement preceded by the triangular Attention Symbol and the word "WARNING" indicates a potentially hazardous situation which, if not avoided, COULD result in death or serious injury.

CAUTION!
A statement preceded by the word "CAUTION" contains information that should be acted upon to avoid damaging the unit.


IMPORTANT!


A statement preceded by the word "IMPORTANT" is one that possesses special significance.


NOTE:


A statement preceded by the word "NOTE" contains information that is handy to know and may make your job easier.

Safety and operation labels

 Read and follow this manual. Failure to do so could result in serious injury.

 Wear eye and hearing protection at all times during the operation of this unit.

 Keep hair and loose clothing clear of the air inlet.

 This unit is intended for outdoor use only and should be used only in well ventilated areas.

General Safety Instructions

Work Safely

Blowers operate at a very high speed and can do serious damage or injury if they are misused or abused. *Never allow a person without training or instruction to operate your Blower!*

Stay Alert

You must be physically and mentally fit to operate this unit safely.



WARNING!

Never make unauthorized modifications or attachment installations. Never use attachments not approved by Shindaiwa for use on this unit.



WARNING!

Never operate power equipment of any kind if you are tired or if you are under the influence of alcohol, drugs, medication or any other substance that could affect your ability or judgement.



IMPORTANT!

This engine is equipped with a heat sensor in order to prevent the engine from overheating. If the sensor is activated, engine speed will be reduced to 5,000 min⁻¹ (RPM). If the engine speed is automatically reduced, please cool the engine as described in the section "Using the Blower".



WARNING!

Minimize the Risk of Fire

NEVER smoke or light fires near the unit.
ALWAYS stop the engine and allow it to cool before refueling. Avoid overfilling and wipe off any fuel that may have spilled.
ALWAYS inspect the unit for fuel leaks before each use. During each refill, check that no fuel leaks from around the fuel cap and/or fuel tank.

If fuel leaks are evident, stop using the unit immediately. Fuel leaks must be repaired before using the unit.

ALWAYS move the unit to a place well away from a fuel storage area or other readily flammable materials before starting the engine.

NEVER place flammable material close to the engine muffler.

NEVER run the engine without the spark arrester screen in place.



WARNING!

Use Good Judgment

ALWAYS wear eye protection that complies with ANSI Z 87.1 or your applicable national standard to shield against thrown objects.
NEVER run the engine indoors! Make sure there is always good ventilation. Fumes from engine exhaust can cause serious injury or death.
ALWAYS stop the unit immediately if it suddenly begins to vibrate or shake. Inspect for broken, missing or improperly installed parts.

ALWAYS keep the unit as clean as practical. Keep it free of loose vegetation, mud, etc.

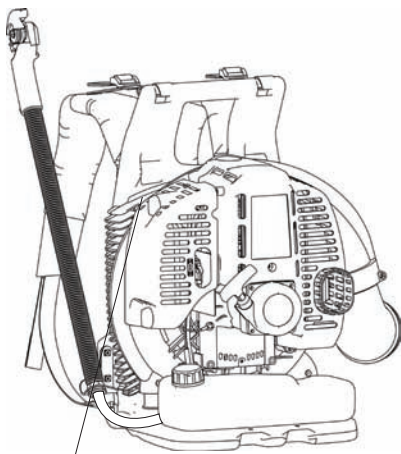
ALWAYS keep the handles clean.

ALWAYS disconnect the spark plug wire before performing any maintenance work.

ALWAYS turn off the engine before putting the unit down. When transporting the unit in a vehicle, properly secure it to prevent the unit from overturning, fuel spillage and damage to the unit.

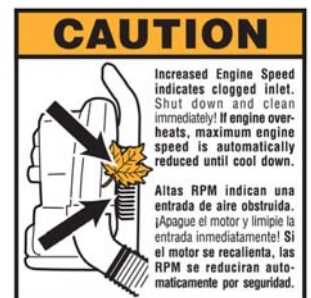
NEVER insert any foreign objects into the air intake or outlet opening of the blower while in operation.

Safety Labels



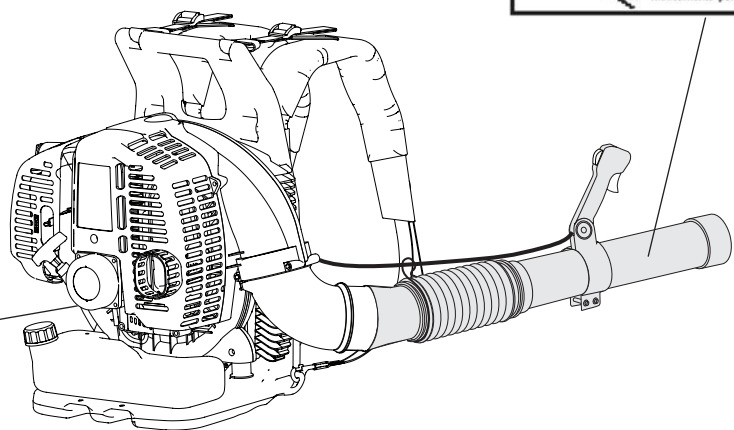
IMPORTANT!

Safety and Operation Information Labels: Make sure all information labels are undamaged and readable. Immediately replace damaged or missing information labels. New labels are available from your local authorized Shindaiwa dealer.



WARNING!

Metal surfaces of crankcase may be hot! Always wear gloves when handling this unit.



The Properly Equipped Operator

Wear close-fitting clothing to protect legs and arms. Gloves offer added protection and are strongly recommended. Do not wear clothing or jewelry that could get caught in machinery or underbrush. Secure hair so it is above shoulder level. **NEVER** wear shorts!

Wear hearing protection when operating this unit.

Always wear eye protection such as a face shield or goggles while operating this unit. Never operate the blower when visibility is poor.

Wear a dust mask to reduce the risk of inhalation injuries.

Keep a proper footing and do not overreach. Maintain your balance at all times during operation.

Wear appropriate footwear (non-skid boots or shoes): do not wear open-toed shoes or sandals. Never operate the unit while barefoot!

Always be aware of the strength and direction of the blower discharge stream. Never direct the blower discharge stream toward people or animals!



Figure 1

Be Aware of the Working Environment

Debris sometimes collects on the blower intake. Never clean out debris from the blower while the engine is running!

Make sure bystanders or observers outside the 15 m (50-foot) "danger zone" wear eye protection.

15 METERS

Avoid long-term operation in very hot or very cold weather.

Reduce the risk of bystanders being struck by flying debris. Make sure no one is within 15 meters (50 feet)—that's about 16 paces—of an operating blower.

Never operate the blower if any component parts are damaged, loose, or missing!

Be extremely careful of slippery terrain, especially during rainy weather. Never operate this blower on a roof, ledge or ladder.

Be constantly alert for objects and debris that could be thrown from the air blast and bounced from a hard surface.

Do not direct the air blast towards bystanders. The high air flow could blow small objects at great speed causing possible eye injury.

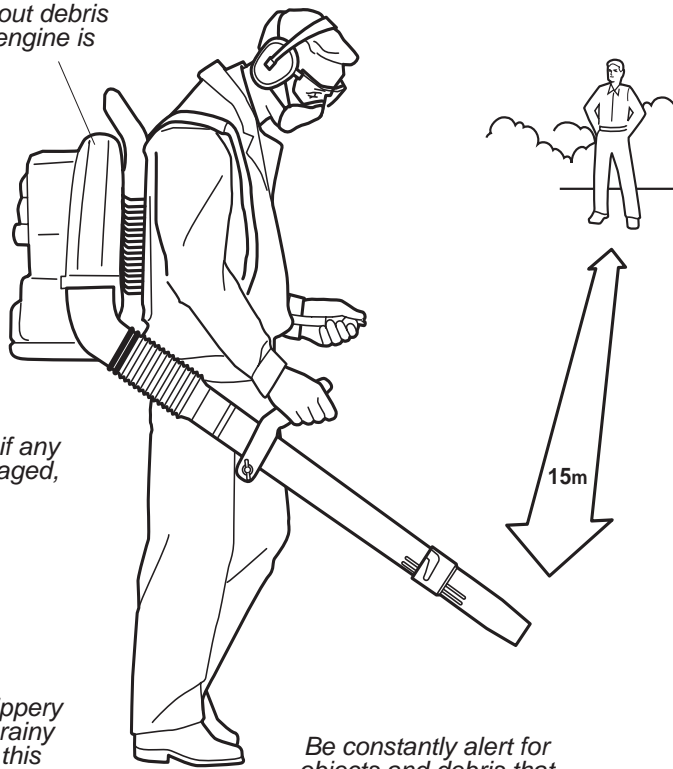


Figure 2

Unit Description

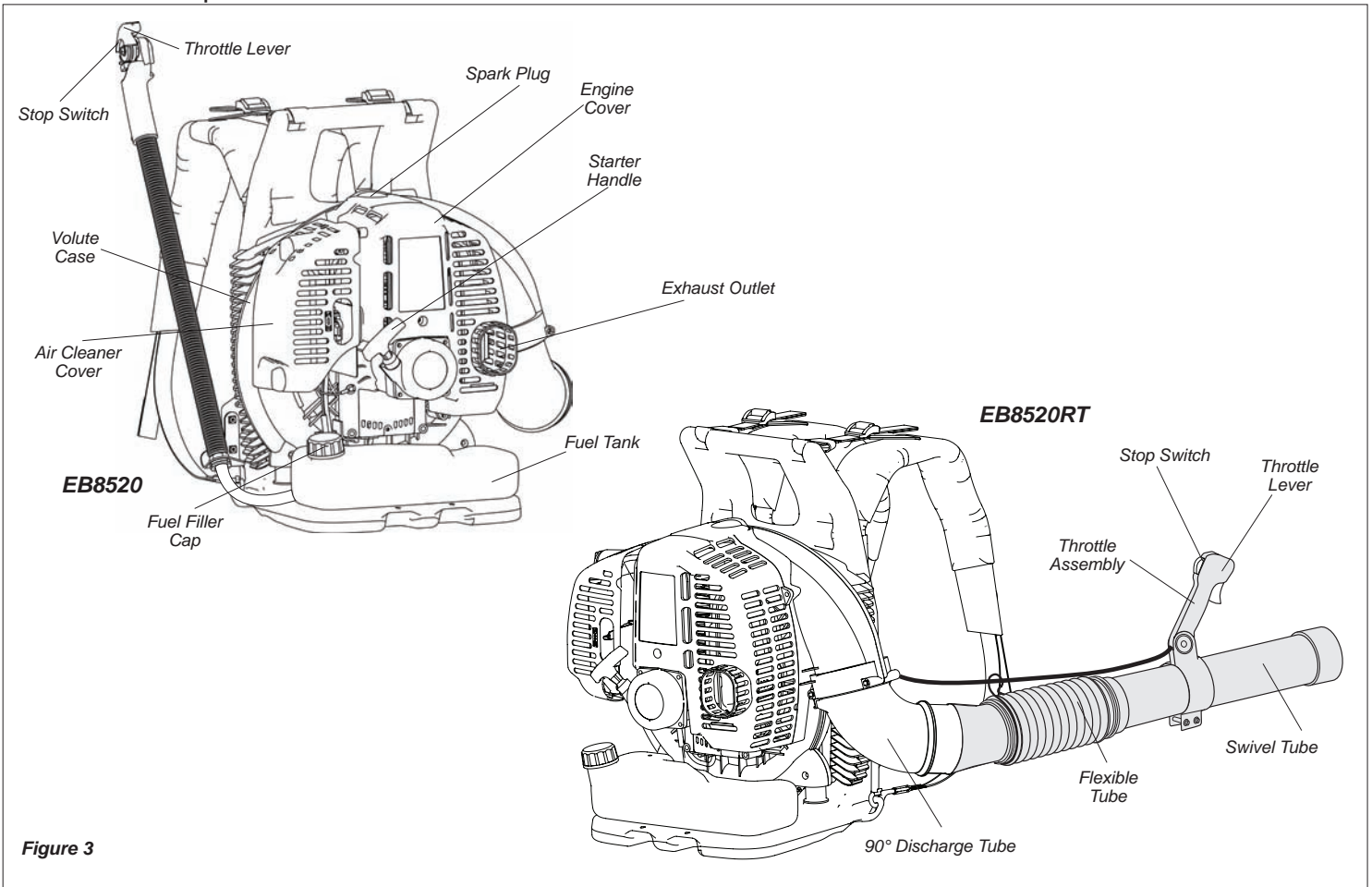


Figure 3

Specifications

Model	EB8520	EB8520RT
Dry Weight (without Blower Tubes)	11.6 kg/25.57 lbs	11.5 kg/25.35 lbs
Dimensions (L xWxH)	350 x 465 x 545 mm	
Engine Type	4 cycle air-cooled gasoline engine, vertical-cylinder	
Bore & Stroke	51 x 39 mm (2.01 x 1.54 inches)	
Displacement	79.7cc (4.86 cu. inches)	
Max Output/min ⁻¹	3.21 kW/4.3 hp @ 7,500 min ⁻¹	
Fuel/Oil Ratio	50:1 with Shindaiwa Premium 2-cycle mixing oil	
Carburetor	Walbro rotary-type with primer bulb	
Ignition	CDI (Capacitor Discharge Ignition)	
Spark Plug	NGK CMR5H	
Starting	Recoil Starter	
Stopping	Push Button Switch (Grounding type)	Slide Switch (Grounding type)
Fuel Tank Capacity	2.0 liters (67.6 oz)	
Exhaust	Spark Arrester Muffler	
Air Filtration	Dry Element with pre-filter	

Specifications are subject to change without notice.

Assembly

Prior to Assembly

Using Figure 3 as a guide, familiarize yourself with the blower and its components. Understanding the unit helps ensure top performance, longer service life, and safer operation.

Before assembling the blower, make sure you have all required components.

- Power unit and blower assembly.
- Flexible tube, swivel tube, two nozzles and straight tube.
- Handgrip (Non RT unit only).
- Two tube clamps (102 and 89mm).
- This Owner's/Operator's Manual and a tool kit containing a tool bag, 4 mm hex wrench, 5 mm hex wrench and a combination spark plug wrench/screwdriver.

- Lead wire assembly (anti-static).

Carefully inspect all components for damage.

IMPORTANT!

The terms "left", "left-hand", "LH"; "right", "right-hand", and "RH"; "front" and "rear" refer to directions as viewed by the operator during normal operation.

Assembling the Blower

IMPORTANT!

This unit is equipped with a static discharge reduction wire. This wire helps direct static buildup into the air stream reducing the felt amount to the operator.

1. Place the blower upright on the ground or a sturdy work surface and note parts orientation as shown in Figure 4.
2. Remove static wire from package and fix eyelet to right hand engine cover screw. See Figure 5.
3. Turn the discharge tube out to a right angle and slip anti-static wire through the 102mm clamp and flexible tube.
4. Slip the flexible tube over the end of the 90° discharge tube, and secure with the 102mm clamp.

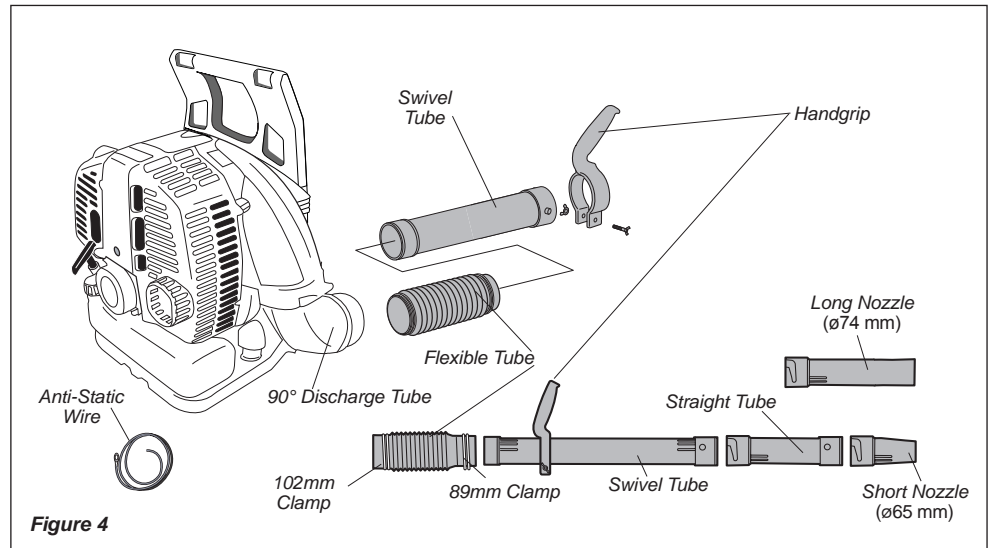


Figure 4

NOTE:

Check to make sure that the 90° discharge tube swivels freely. If any binding is present, loosen 102mm clamp and pull wire towards engine to get more slack and recheck for free movement.

5. Insert the static wire through the swivel tube, then install and tighten the 89mm clamp over the rotating band on the swivel tube.
6. Slide the handgrip over the swivel tube and secure with the bolt and wingnut.
7. Fold the end of the static wire back over the connection of the swivel tube. See Figure 5.
8. Grasp the nozzle, and push the nozzle over the swivel tube locking pins securing the static wire. See Figure 6.
9. Lock the nozzle to the swivel tube by rotating the nozzle noting the alignment marks. See Figure 6.

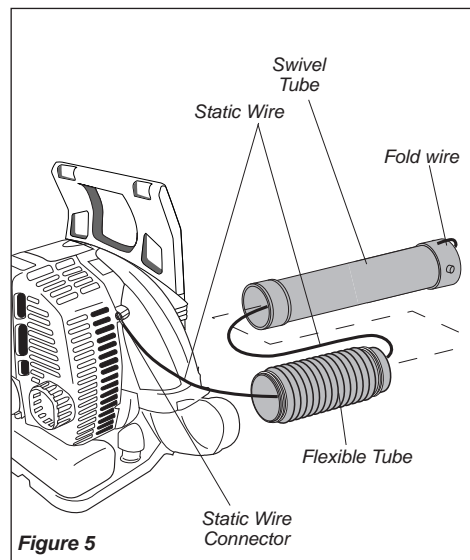


Figure 5

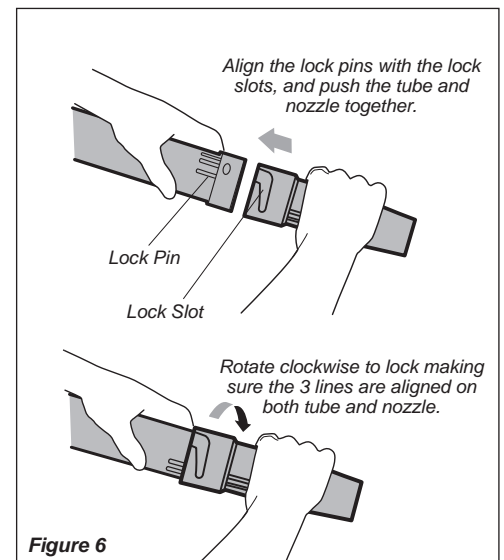


Figure 6

IMPORTANT!

Blower tube installation affects blower performance! Make sure the tubes and nozzle are correctly assembled per above, and that all connections are tight. Blower tubes may come apart during use unless tubes are aligned and locked into place.



WARNING!

Danger from rotating impeller!

Stop the engine before installing or removing the blower tubes! Never perform any maintenance or assembly procedures on this unit while the engine is running!

Assembly (continued)

Assembling the RT Blower

IMPORTANT!

This unit is equipped with a static discharge reduction wire. This wire helps direct static buildup into the air stream reducing the felt amount to the operator.

1. Place the blower upright on the ground or a sturdy work surface and note parts orientation as shown in Figure 7.
2. Remove static wire from package and fix eyelet to right hand engine cover screw. See Figure 8.
3. Turn the discharge tube out to a right angle and slip anti-static wire through the 102mm clamp and flexible tube.
4. Install throttle cable holder just forward of the 102 mm clamp, pinching loops together to fit over end of flexible tube. See Figures 10A and 10B.
5. Slip the flexible tube over the end of the 90° discharge tube, and secure with the 102 mm clamp.
6. Slide the throttle assembly over the swivel tube. Do not tighten clamp at this time.

NOTE:

Check to make sure that the 90° discharge tube swivels freely. If any binding is present, loosen 102 mm clamp and pull wire towards engine to get more slack and recheck for free movement.

7. Insert the static wire through the swivel tube, then install and tighten the 89mm clamp over the rotating band on the swivel tube.
8. Fold the end of the static wire back over the connection of the swivel tube. See Figure 8.
9. Grasp the nozzle, and push the nozzle over the swivel tube locking pins securing the static wire. See Figure 9.
10. Lock the nozzle to the swivel tube by rotating the nozzle noting the alignment marks. See Figure 9.
11. Adjust throttle assembly for best operator comfort and tighten two socket-head screws.

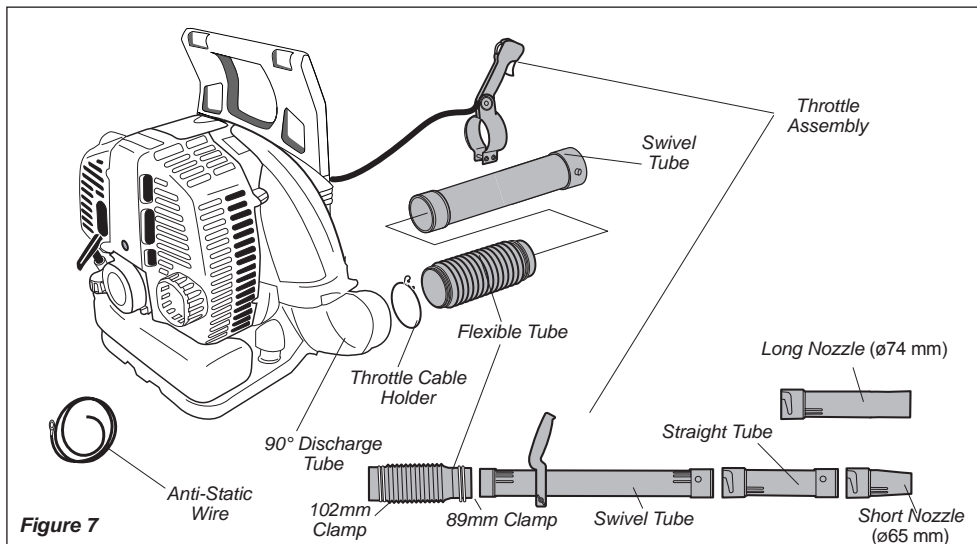


Figure 7

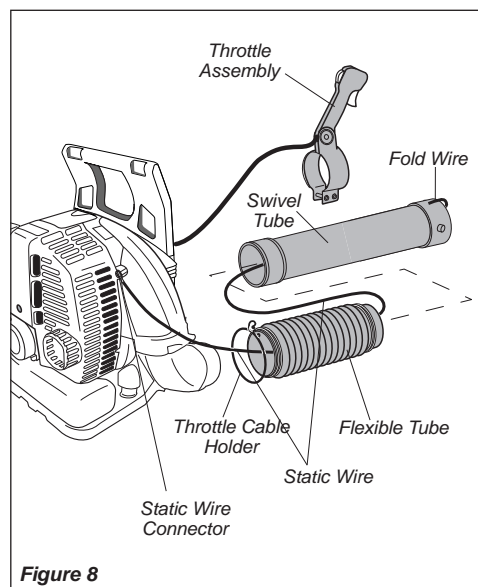


Figure 8

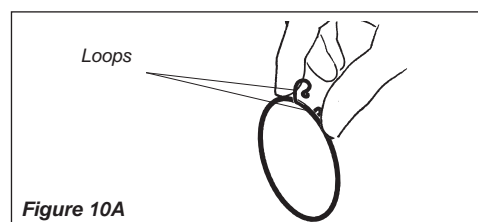


Figure 10A

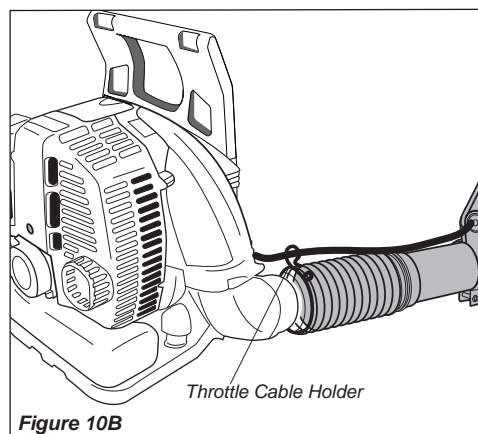


Figure 10B

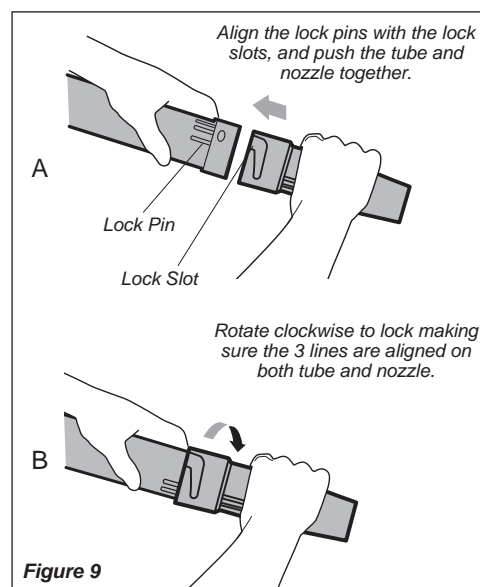


Figure 9

IMPORTANT!

Blower tube installation affects blower performance! Make sure the tubes and nozzle are correctly assembled per above, and that all connections are tight. Blower tubes may come apart during use unless tubes are aligned and locked into place.



WARNING!

Danger from rotating impeller!

Stop the engine before installing or removing the blower tubes! Never perform any maintenance or assembly procedures on this unit while the engine is running!

The blower should now be ready for use.

Mixing fuel

CAUTION!

- Never use any type of gasoline containing more than 10% alcohol by volume! Some types of gasoline contain alcohol as an oxygenate. Oxygenated gasoline may cause increased operating temperatures. Under certain conditions, alcohol-based gasoline may also reduce the lubricating qualities of some 2-cycle mixing oils.
- Generic oils and some outboard oils may not be intended for use in high-performance C4 engines, and should never be used in your Shindaiwa engine.

CAUTION!

This engine is designed to operate on a 50:1 mixture consisting of unleaded gasoline and ISO-L-EGD or JASO FC class 2-cycle mixing oil only. Use of non-approved mixing oils can lead to excessive carbon deposits.

- Use only fresh, clean unleaded gasoline with a pump octane of 87 or higher.
- Mix all fuel with a 2-cycle air-cooled mixing oil that meets or exceeds ISO-L-EGD and/or JASO FC classified oils at 50:1 gasoline/oil ratio.

Examples of 50:1 mixing quantities

Gasoline liters	2-cycle mixing oil milliliters
2.5 - 1	50 ml
5 - 1	100 ml
10 - 1	200 ml
20 - 1	400 ml

IMPORTANT!

Mix only enough fuel for your immediate needs! If fuel must be stored longer than 30 days and **Shindaiwa ONE** oil with fuel stabilizer is not used, it should first be treated with a fuel stabilizer such as STA-BIL™.

shindaiwa ONE Oil is a registered JASO FC classified oil and also meets or exceeds ISO-L-EGD performance requirements. Shindaiwa One is recommended for use in all Shindaiwa low emissions engines. Shindaiwa One also includes a fuel stabilizer.

Filling the fuel tank



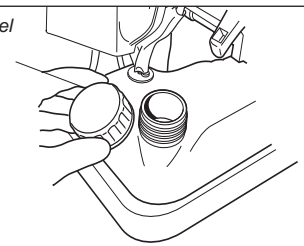
WARNING!

Minimize the Risk of Fire

- **NEVER** smoke or light fires near the engine.
- **ALWAYS** stop the engine and allow it to cool before refueling.
- **ALWAYS** Wipe all spilled fuel and move at least 3 meters from the fueling point and source before starting.
- **NEVER** place flammable material close to the engine muffler.
- **NEVER** operate the engine without the muffler and spark arrester screen in place.
- **FUEL IS HIGHLY FLAMABLE.**
- **ALWAYS** store gasoline in a container approved for flammable liquids.
- **ALWAYS** inspect the unit for fuel leaks before each use. During each refill, check that no fuel leaks from around the fuel cap and/or fuel tank. If fuel leaks are evident, stop using the unit immediately. Fuel leaks must be repaired before using the unit.
- **ALWAYS** move the unit at least 3 meters away from a fuel storage area or other readily flammable materials before starting the engine.

1. Place the unit on a flat, level surface.
2. Clear any dirt or other debris from around the fuel filler cap.
3. Remove the fuel cap, and fill the tank with clean, fresh fuel.
4. Reinstall the fuel filler cap and tighten firmly.
5. Wipe away any spilled fuel before starting the unit.

Remove the Fuel Filler Cap



Starting the Engine



WARNING! Danger from rotating impeller!

The impeller will rotate whenever the blower is operated! Never operate this blower unless the intake cover and blower tubes are properly installed and in good working order!



WARNING! Danger from thrown dust or debris!

Always wear eye protection when operating this machine! Never direct the blower stream toward people or animals!

Never operate this blower unless all controls are properly installed and in good working order.

CAUTION!

The recoil starter can be damaged by abuse!

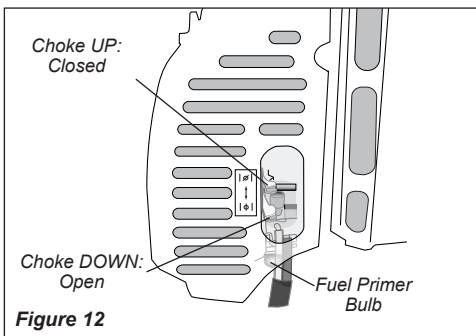
- Never pull the starter cord to its full length!
- Always engage the starter before cranking the engine!
- Always rewind the starter cord slowly!
- Never operate the blower if blower tubes are missing or damaged!

Starting procedure

1. Place the blower on the ground.
2. Prime the fuel system by repeatedly depressing the fuel primer bulb until no air bubbles are visible in the fuel discharge line.

IMPORTANT!

The primer system only pushes fuel through the carburetor. Repeatedly pressing the primer bulb will not flood the engine with fuel.



3. **Cold Engine Only.** Choke the engine by moving the choke lever up (choke is closed). See Figure 12.

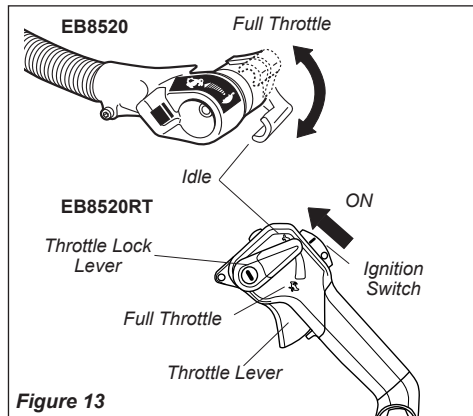


Figure 13

4. Move the throttle lever to half throttle.
RT Model: Slide the ignition switch to the "I" (ON) position, then depress the throttle lever halfway and lock throttle by moving the throttle lock lever halfway down. See Figure 13.
5. Hold the blower firmly with your left hand on the volute case.
6. Using your right hand, pull the starter handle slowly until you feel the starter engage. See Figure 14.

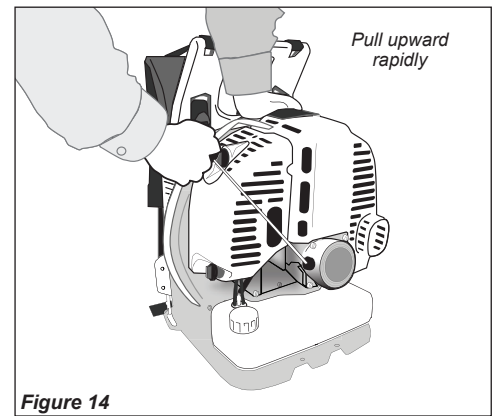


Figure 14

7. As the starter engages, pull the starter handle upward rapidly.
8. If necessary, repeat Steps 6 and 7 until the engine starts.



WARNING!

Never operate the blower unless all controls are properly installed and in good working order. Never operate the blower if the cylinder cover is missing or damaged!

When The Engine Starts

- Open the choke (if it is not already open) by moving the choke lever down.
- If the engine does not continue to run, repeat the appropriate starting procedures for a cold or warm engine.
- After the engine starts, allow the engine to warm up at idle 2 or 3 minutes before operating the unit.

Starting the Engine (continued)

If The Engine Does Not Start

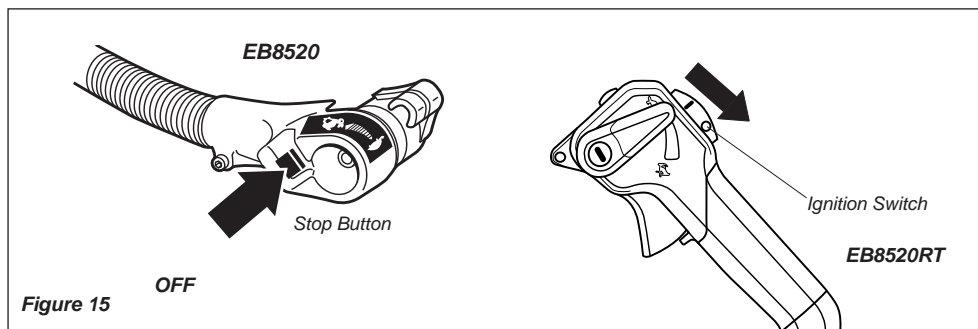
Repeat the appropriate starting procedures for warm or cold engine. If the engine still will not start, follow the "Starting a Flooded Engine" procedure.

Starting A Flooded Engine

1. Disconnect the spark plug lead, and remove the spark plug (see page 12 for procedures).
2. If the spark plug is fouled or is soaked with fuel, clean or replace the plug as required.
3. With the spark plug removed, open the choke, put the throttle lever in the full throttle position, then clear excess fuel from the combustion chamber by cranking the engine several times.
4. Install and tighten the spark plug, and reconnect the spark plug lead.
5. Repeat the starting procedures for a warm engine.
6. If the engine still fails to start or fire, refer to the troubleshooting flow chart at the end of this manual.

Stopping The Engine

1. Cool the engine by allowing it to run at idle for 2-3 minutes.
2. Push and hold the Stop button down until the engine stops. **RT Model:** Slide the ignition switch towards the rear to "O" (OFF). See Figure 15.



Adjusting Engine Idle Speed

IMPORTANT!

A clean and unrestricted airflow is essential to your blower's engine performance and durability! Before attempting any carburetor adjustments, inspect and clean the engine air filter as described in the maintenance section of this manual.

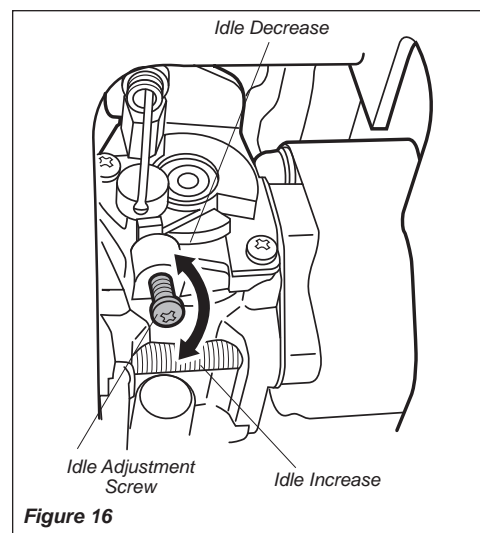
IMPORTANT!

Blower tubes and the air cleaner must be in place while adjusting engine idle! Engine idle speed will also be affected if the blower tubes are blocked or incorrectly installed!

1. Place the unit on the ground and start the engine, then allow it to idle 2-3 minutes until warm.
2. If a tachometer is available, the engine idle speed should be final adjusted to 2,000 (± 200) min^{-1} . See Figure 16.

NOTE:

Carburetor fuel mixture adjustments are preset at factory on units with emission control systems and cannot be serviced in the field.



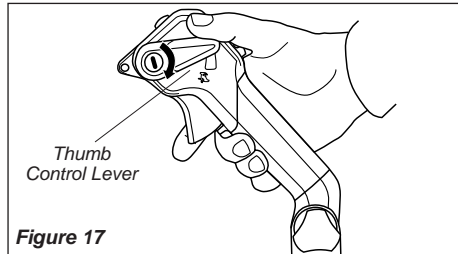
Throttle Control RT

The RT blower is equipped with a multi-function throttle control. The "Cruise" function allows the operator to use a thumb controlled lever for constant speed use without using the throttle trigger. This is useful for limiting the fatigue caused from holding the throttle for extended periods of time.

Cruise Function

Using the right thumb, push the throttle lock lever down until the desired min^{-1} setting is reached. See Figure 17.

On the opposite side, a two position "Limiter" control allows full engine speed when set for "Turbo" or limits the throttle to a pre-set engine speed when set to low noise (dB) setting.



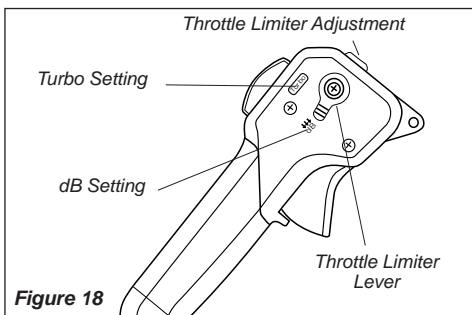
To bring min^{-1} down to idle, push lever back up into original position.

Throttle Limiter

The RT blower has a throttle limiter function that allows the operator to pre-set the maximum engine speed. This is useful for reducing the noise emitted by the blower in noise sensitive areas.

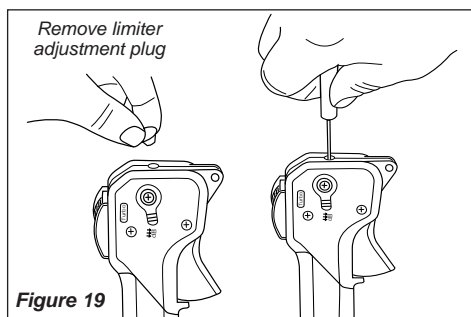
Setting Throttle Limiter:

For reduced noise setting, move the throttle limiter located on the right side of the throttle control to the dB setting. See Figure 18.



Adjusting Throttle Limiter:

1. Remove the plug located at the top of the throttle assembly. See Figure 19.
2. Move the throttle limiter lever to the "dB" setting. See Figure 19.
3. With the engine running and while depressing the throttle trigger, use a small Phillips screw driver to turn the adjustment screw clockwise to decrease min^{-1} and counter-clockwise to increase until desired limited min^{-1} is achieved.
4. Reinstall limiter adjustment plug.



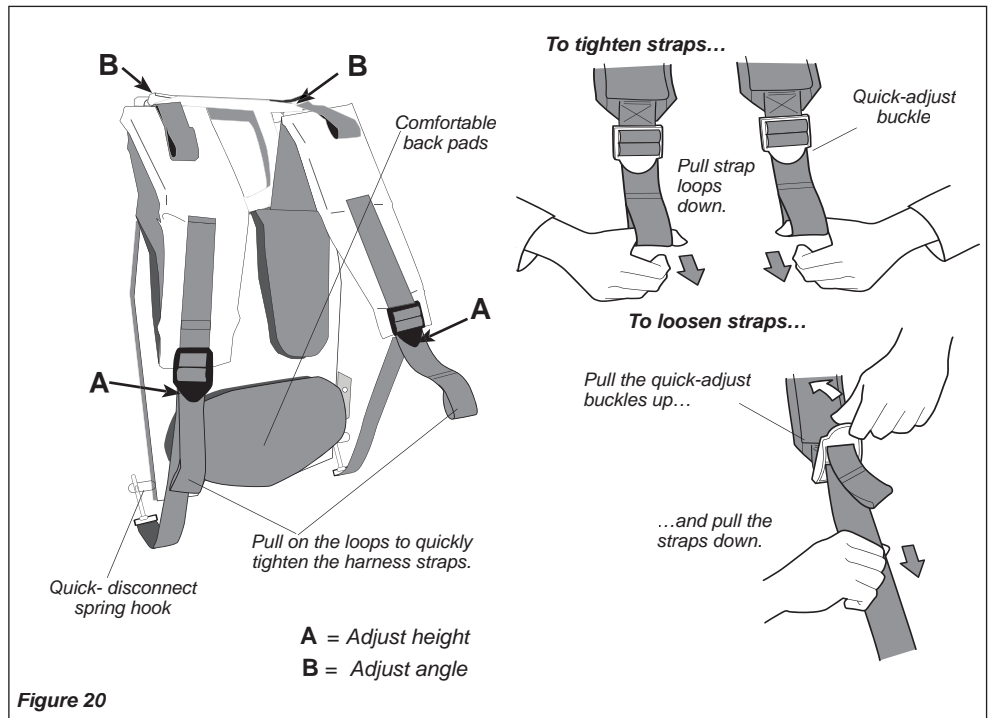
NOTE:

With the throttle limiter adjusted to 3,850 min^{-1} , the RT blower will have a sound level of 65 dB(A) measured at 15m (50 feet).

Adjusting The Harness

The Shindaiwa blower features an advanced harness system that helps ensure maximum operator comfort and ease of operation.

- The shoulder harness is filled with soft padding for reduced operator fatigue.
- The simplified adjustment system makes it easy to match the harness to every body size and type.



Using The Blower

Operating Tips

In the hands of an experienced operator, the blower can efficiently move a wide variety of debris ranging from grass clippings to gravel. As a general rule, operate your blower at the lowest throttle setting required to get the job done:

- Use low throttle settings when clearing lightweight materials from around lawns or shrubbery.
- Use medium to higher throttle settings to move grass or leaves from parking lots or walkways.

- Use full throttle when moving heavy loads such as dirt or snow.

IMPORTANT!

Blower noise increases at higher throttle settings! Always use the lowest throttle setting required to get the job done!

Heat sensor

This engine is equipped with a heat sensor in order to prevent overheating. If engine overheating occurs, the engine speed will be reduced to 5,000 min⁻¹ (RPM). If the engine speed will not rise above 5,000 min⁻¹ (RPM), please cool the engine as follows .

- Stop the engine.
- Remove any leaves and debris blocking intake cover.
- Keep the engine speed at idle for 1 minute.

CAUTION!

If the engine speed is automatically reduced again after cooling the engine, please consult with an authorized servicing dealer.

Maintenance

IMPORTANT!

MAINTENANCE, REPLACEMENT OR REPAIR OF EMISSION CONTROL DEVICES AND SYSTEMS MAY BE PERFORMED BY ANY REPAIR ESTABLISHMENT OR INDIVIDUAL, HOWEVER, WARRANTY REPAIRS MUST BE PERFORMED BY A DEALER OR SERVICE CENTER AUTHORIZED BY SHINDAIWA CORPORATION THE USE OF PARTS THAT ARE NOT EQUIVALENT IN PERFORMANCE AND DURABILITY TO AUTHORIZED PARTS MAY IMPAIR THE EFFECTIVENESS OF THE EMISSION CONTROL SYSTEM AND MAY HAVE A BEARING ON THE OUTCOME OF A WARRANTY CLAIM.



WARNING!

Before performing any maintenance, repair or cleaning work on the unit, make sure the engine is completely stopped. Disconnect the spark plug wire before performing service or maintenance work.



WARNING!

Non-standard parts may not operate properly with your unit and may cause damage and lead to personal injury.

NOTE:

Using non-standard replacement parts could invalidate your Shindaiwa warranty.

Daily Maintenance



WARNING!

To reduce fire hazard, keep the engine and muffler free of dirt, debris, and leaves.

Prior to each workday, perform the following:

- Remove all dirt and debris from blower exterior and the engine. Check the cooling fins and air cleaner for clogging and clean as necessary.

CAUTION!

The engine is cooled by air drawn into the air intake cover on the blower housing. The blower fan then pushes the cooling air through an opening in the fan housing, forcing it past the cylinder cooling fins. Failure to keep the cooling system and its passages clear of debris will likely result in engine overheating, a major cause of serious engine problems that can lead to failure.

- Inspect the engine, tank, and hoses for possible fuel leaks, and repair as necessary.
- Inspect the entire blower for loose, damaged, or missing components, and repair as necessary.
- Carefully remove any accumulations of dirt or debris from the muffler and fuel tank. Dirt build-up in these areas can lead to engine overheating, fire or premature wear.

Every 10 Hours

(more frequently in dusty conditions)

- Remove the air cleaner cover by loosening the thumbscrews and lifting. See Figure 21.
- Remove and inspect the pre-filter. If the pre-filter is torn or otherwise damaged, replace it with a new one.

IMPORTANT!

The blower uses a special high capacity dry-type air filter element. The filter should not be cleaned with a liquid cleaner and must NEVER be oiled!

- Clean the pre-filter with soap and water. Let dry before reinstalling.
- Inspect the air cleaner element. If the element is damaged or distorted, replace it with a new one.

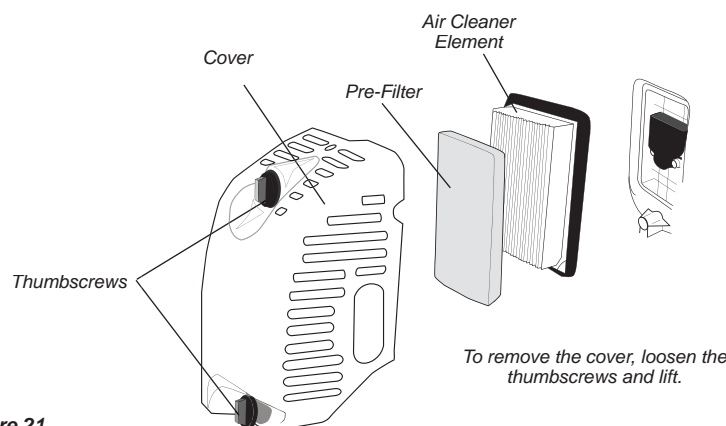


Figure 21

IMPORTANT!

Direct the air stream at the inside face of the filter only!

CAUTION!

Never operate the blower if the air cleaner assembly is damaged or missing!

Maintenance

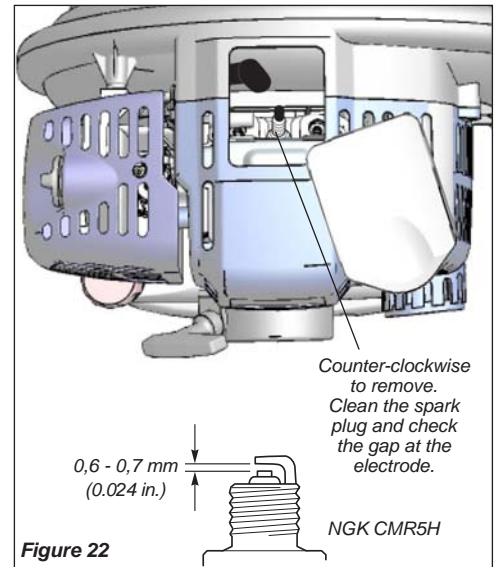
Every 10/15 Hours

CAUTION!

Never allow dirt or debris to enter the cylinder bore! Before removing the spark plug, thoroughly clean the spark plug and cylinder head area!

Allow the engine to cool before servicing the spark plug! Cylinder threads can be damaged by tightening or loosening the spark plug while the engine is hot!

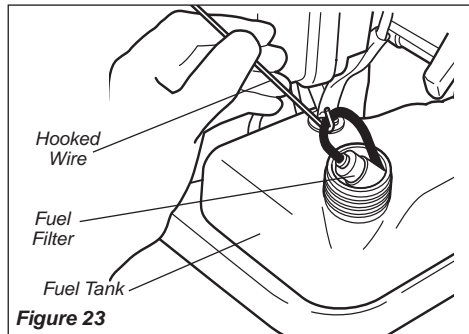
1. Use the spark plug wrench to remove the spark plug.
2. Clean and adjust the spark plug gap to 0.6mm (0.024"). If the plug must be replaced, use a NGK CMR5H or equivalent type plug of the correct heat range.
3. Install the spark plug finger-tight in the cylinder head, then tighten it firmly with the spark plug wrench. If a torque wrench is available, torque the spark plug to 16.7-18.6 Nm (148-165 inch-pounds).



Every 50 Hours

(more frequently if reduced performance is noted)

- **INSPECTION** Inspect the entire blower and tubes for damage, including loose or missing components, and repair as necessary.
- **SPARK PLUG** Replace the spark plug with a NGK CMR5H (or equivalent), gapped to 0.6 mm (0.024").
- **FUEL FILTER** Use a hooked wire to extract the fuel filter from inside the fuel tank.



CAUTION!

Make sure you do not pierce the fuel line with the end of the hooked wire. The line is delicate and can be damaged easily.

- Inspect the filter element for signs of contamination from debris. A contaminated fuel filter should be replaced with a new Shindaiwa replacement element. Before reinstalling the filter, inspect the condition of the fuel line. If you note damage or deterioration, the blower should be removed from service until it can be inspected by a Shindaiwa-trained service technician.
- **COOLING SYSTEM** Use a wood or plastic scraper and a soft brush to remove dirt and debris from the cylinder fins and crankcase.

139/150-Hour Maintenance

Maintenance after first 139-hours, then every 150-hours thereafter.

- Combustion chamber should be decarbonized, and the valve clearance should be adjusted. It is highly recommended that this is done by a Shindaiwa-trained service technician.

- Replace the spark plug annually: Use only NGK CMR5H or equivalent resistor type spark plug of the correct heat range. Set spark plug electrode gap to 0.6 mm (0.024 inch).

NOTE:

The NGK CMR5H also meets the requirements for electro magnetic compliance (EMC).

Maintenance

Spark Arrester

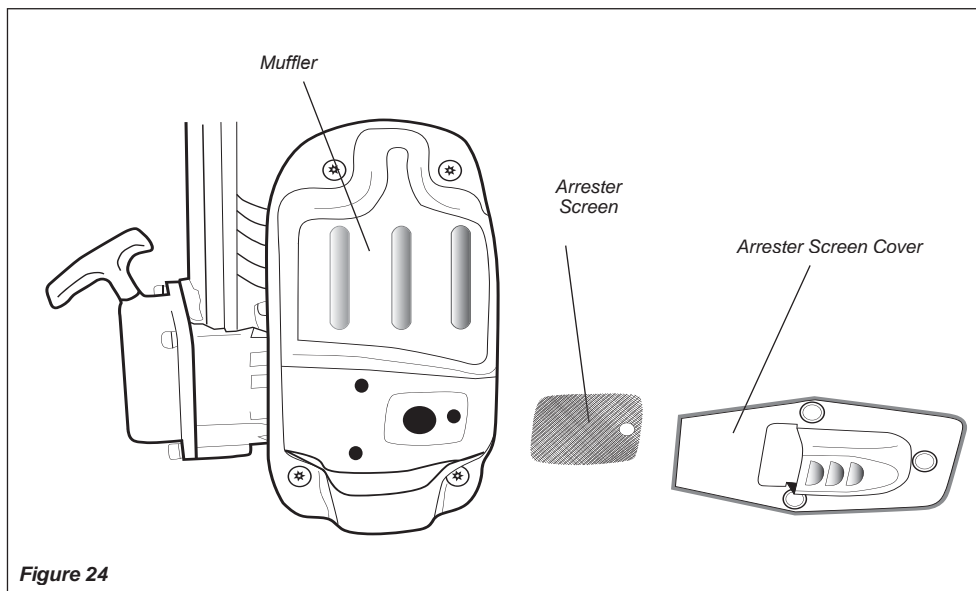


WARNING!

Never operate this blower with a damaged or missing muffler or spark arrester! Operating with missing or damaged exhaust components is a fire hazard, and can also damage your hearing!

Hard starting or a gradual loss of performance can be caused by carbon deposits lodged in the spark arrester screen. For maximum performance, the spark arrester screen should be periodically cleaned as follows:

1. Remove engine cover to expose muffler. Remove the spark arrester from the muffler. The arrester is press-fit in place; there are three screws to remove.
2. Use a plastic scraper or wire brush to remove carbon deposits from the arrester screen and wipe clean exhaust base.



3. Inspect the screen carefully, and replace any screen that has been perforated, distorted, or is otherwise unserviceable.
4. Press the spark arrester into the exhaust base.

If carbon accumulation in the muffler or cylinder is severe, or if you do not notice an improvement in performance after servicing, have the unit inspected by an authorized servicing Shindaiwa dealer.

Long Term Storage

Whenever the unit will not be used for 30 days or longer, use the following procedures to prepare it for storage:

- Clean external parts thoroughly.
- Drain all the fuel from the fuel tank.

IMPORTANT!

All stored fuels should be stabilized with a fuel stabilizer such as STA-BIL™ if Shindaiwa One oil with fuel stabilizer is not used.

- Remove the remaining fuel from the fuel lines and carburetor:

1. Prime the primer bulb until no more fuel is passing through.
2. Start and run the engine until it stops running.
3. Repeat steps 1 and 2 until the engine will no longer start.

CAUTION!

Gasoline stored in the carburetor for extended periods can cause hard starting, and could also lead to increased service and maintenance costs.

- Remove the spark plug and pour about 10 cm³ of 2-cycle mixing oil into the cylinder through the spark plug hole. Slowly pull the recoil starter 2 or 3 times so oil will evenly coat the interior of the engine. Reinstall the spark plug.
- Before storing the unit, repair or replace any worn or damaged parts.
- Remove the air cleaner element from the unit and clean it as outlined in the section, "10-Hour Maintenance".
- Store the unit in a clean, dust-free area.

What To Check	Possible Cause	Remedy
<p>Does the engine crank?</p> <p>YES ↓</p>	<p>NO →</p> <p>Faulty recoil starter. Fluid in the crankcase. Internal damage.</p>	<p>Consult with an authorized servicing dealer.</p>
<p>Good compression?</p> <p>YES ↓</p>	<p>NO →</p> <p>Loose spark plug. Excess wear on cylinder, piston, rings.</p>	<p>Tighten and re-test. Consult with an authorized servicing dealer.</p>
<p>Does the tank contain fresh fuel of the proper grade?</p> <p>YES ↓</p>	<p>NO →</p> <p>Fuel incorrect, stale, or contaminated; mixture incorrect.</p>	<p>Refill with fresh, clean unleaded gasoline with a pump octane of 87 or higher mixed with 50:1 Shindaiwa Premium 2-cycle mixing oil or with an equivalent high quality 2-cycle mixing oil.</p>
<p>Is fuel visible and moving in the return line when priming?</p> <p>YES ↓</p>	<p>NO →</p> <p>Check for clogged fuel filter and/or vent. Priming pump not functioning properly..</p>	<p>Replace fuel filter or vent as required. Restart. Consult with an authorized servicing dealer.</p>
<p>Is there spark at the spark plug wire terminal?</p> <p>YES ↓</p>	<p>NO →</p> <p>The ignition switch is in "O" (OFF) position. Shorted ignition ground. Faulty ignition unit.</p>	<p>Move switch to "I" (ON) position and restart. Consult with an authorized servicing dealer.</p>
<p>Check the spark plug.</p>	<p>If the plug is wet, excess fuel may be in the cylinder. The plug is fouled or improperly gapped. The plug is damaged internally or of the wrong size.</p>	<p>Crank the engine with the plug removed, reinstall the plug, and restart. Clean and regap the plug to 0.6mm. Restart. Replace the spark plug. Check the unit Specifications page for the proper spark plug for your unit. Restart.</p>

What To Check	Possible Cause	Remedy
<p>Is the engine overheating?</p>	<p>Operator is overworking the unit.</p> <p>Carburetor mixture is too lean.</p> <p>Improper fuel ratio.</p> <p>Fallen leaves or debris on intake cover..</p> <p>Fan, fan cover, cylinder fins dirty or damaged</p> <p>Carbon deposits on the piston or in the muffler.</p>	<p>Operate at slower rate.</p> <p>Consult with an authorized servicing dealer.</p> <p>Refill with clean fresh unleaded gasoline with a pump octane of 87 or higher, mixed with Premium 2-cycle mixing oil at a 50:1 gasoline/oil ratio.</p> <p>Clean intake cover..</p> <p>Clean, repair or replace as necessary.</p> <p>Consult with an authorized servicing dealer</p>
<p>Engine is rough at all speeds. May also have black smoke and/or unburned fuel at the exhaust.</p>	<p>Clogged air cleaner element.</p> <p>Loose or damaged spark plug.</p> <p>Air leakage or clogged fuel line.</p> <p>Water in the fuel.</p> <p>Piston seizure.</p> <p>Faulty carburetor and/or diaphragm</p>	<p>Clean or replace the air filter</p> <p>Tighten or replace the spark plug. Restart. Check the Product Specifications page in this manual for the correct spark plug for this unit.</p> <p>Repair or replace fuel filter and/or fuel line.</p> <p>Refill with fresh fuel/oil mixture.</p> <p>Consult with an authorized servicing dealer.</p>
<p>Engine is knocking.</p>	<p>Overheating condition.</p> <p>Improper fuel.</p> <p>Carbon deposits in the combustion chamber.</p>	<p>Consult with an authorized servicing dealer.</p> <p>Check fuel octane rating; check for presence of alcohol in the fuel. Refuel as necessary.</p> <p>Consult with an authorized servicing dealer.</p>
<p>Engine speed is reduced.</p>	<p>Heat sensor is activated, due to restricted air flow at intake cover.</p>	<p>Stop the engine. Clean debris blocking intake cover. Restart. Idle more than 1 minute. If engine speed is reduced again, consult with an authorized servicing dealer.</p>

ADDITIONAL PROBLEMS

What To Check	Possible Cause	Remedy
Poor acceleration.	Clogged air filter. Clogged fuel filter. Lean fuel/air mixture. Idle speed set too low.	Clean or replace the air filter. Replace the fuel filter. Consult with an authorized servicing dealer. Adjust: 2,000 (± 200) min ⁻¹ .
Engine stops abruptly.	Ignition switch turned off. Fuel tank empty. Clogged fuel filter. Water in the fuel. Shorted spark plug or loose terminal. Ignition failure. Piston seizure.	Reset the switch and re-start. Refuel. See Fuel section of manual. Replace fuel filter. Drain; replace with clean fuel. See Fuel section of manual. Clean or replace spark plug. Check the Specifications page in this manual for the proper spark plug for your unit. Tighten the terminal. Replace the ignition unit. Consult with an authorized servicing dealer.
Engine difficult to shut off.	Ground (stop) wire is disconnected or switch is defective Overheating due to incorrect spark plug Overheated engine.	Test and replace as required. Replace the spark plug. Check the Specifications page in this manual for the proper spark plug for your unit. Idle engine until cool.
Excessive vibration.	Debris build up in impeller. Loose or damaged impeller. Loose or damaged engine mounts.	Clean debris from impeller as required. Inspect and replace impeller as required. Tighten or replace engine mounts as required.
Engine overspeeding.	Blower intake or discharge ports or tubes are clogged with debris.. Impeller blades are missing or damaged.	Inspect and remove debris. Consult with a authorized servicing dealer.
Engine speed is reduced.	Heat sensor is activated, due to restricted air flow at intake cover.	Stop the engine. Clean debris blocking intake cover. Restart. Idle more than 1 minute. If engine speed is reduced again, consult with an authorized servicing dealer.

Emission System Warranty Statement

Your Warranty Rights and Obligations

The California Air Resources Board, the U.S. Environmental Protection Agency and Shindaiwa Inc. are pleased to explain the exhaust and evaporative emission control system warranty on your new small off-road (non-road) engine.

In California, new small off-road engines must be designed, built, and equipped to meet the State's stringent anti-smog standards. In other states, new 1997 and later non-road engines must meet the Federal EPA's stringent anti-smog standards. Shindaiwa Inc. must warrant the emission control system on your small off-road engine for the periods of time listed below, provided there has been no abuse, neglect, or improper maintenance of your small off-road engine.

Your engine exhaust and evaporative emission control system includes parts such as the carburetor, fuel tank, the ignition system and, if equipped, the catalytic converter. These components are specifically listed below.

Where a warrantable condition exists, Shindaiwa Inc. will repair your small off-road engine at no cost to you including diagnosis, parts, and labor.

Manufacturer's Warranty Coverage

When sold within the U.S., this engine's emission control system is warranted for a period of two (2) years from the date this product is first delivered to the original retail purchaser.

During the warranty period, Shindaiwa Inc. will, at their option, repair or replace any defective emission-related component on this engine. During the original Warranty Period, these Warranty Rights are automatically transferable to subsequent owners of this product.

What is Covered by this Warranty

1. Carburetor Internal Components

- Throttle Valve, Needle, Jet, Metering Diaphragm

2. Fuel Tank

3. Ignition System Components

- Ignition Coil
- Flywheel Rotor

4. Catalytic Converter (if originally equipped)

The emission control system for your particular Shindaiwa engine may also include certain related hoses and connectors.

Owners Warranty Responsibilities

As the small off-road engine owner, you are responsible for the performance of the required maintenance listed in this owners manual. Shindaiwa Inc. recommends that you retain all receipts covering maintenance on your small off-road engine, but Shindaiwa Inc. cannot deny warranty solely for the lack of receipts or for your failure to ensure the performance of all scheduled maintenance.

As the small off-road engine owner, you should be aware, however, that Shindaiwa Inc. may deny you warranty coverage if your small off-road engine or a part has failed due to abuse, neglect, improper maintenance, or unapproved modifications.

You are responsible for presenting your small off-road engine to an authorized Shindaiwa Dealer as soon as a problem exists. The warranty repairs should be completed in a reasonable amount of time, not to exceed 30 days.

If you have any questions regarding your warranty rights and responsibilities, you should contact a Shindaiwa customer service representative at (503) 692-3070 or your local Shindaiwa Dealer.

Consequential Damages

In the event that other component parts of this product are damaged by the failure of a warranted part, Shindaiwa Inc. will repair or replace such component parts at no charge to you.

What is Not Covered

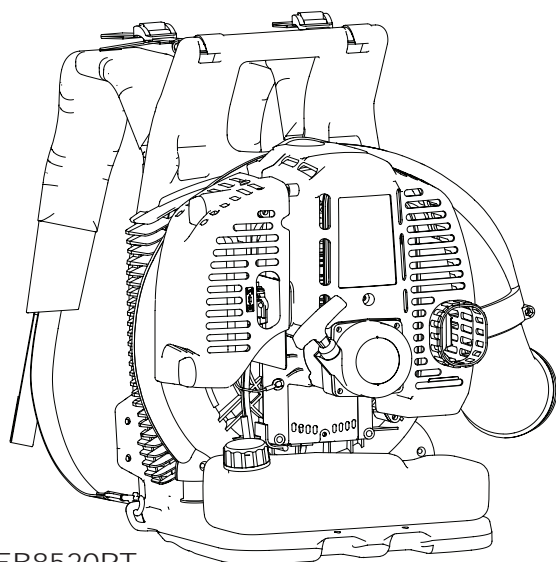
- Failures caused by abuse, neglect, or improper maintenance procedures.
- Failures caused by the use of modified or non-approved parts or attachments.

This Warranty is Administered by:

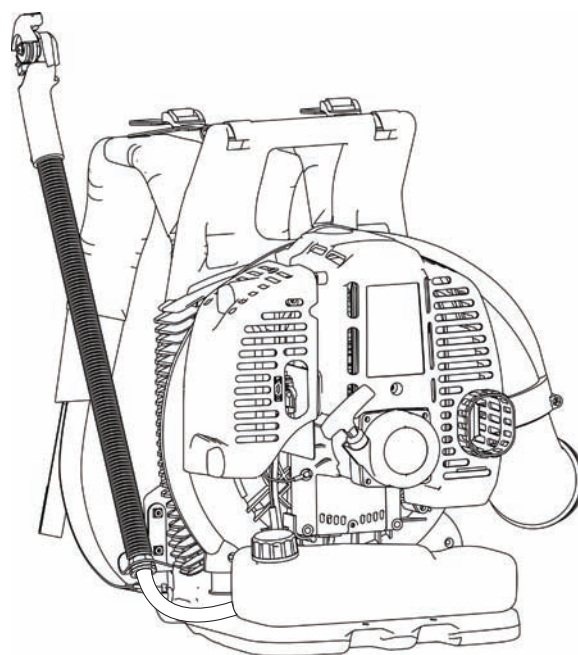
Shindaiwa Inc.
11975 S.W. Herman Rd.
Tualatin, OR 97062
(503) 692-3070

MANUAL DEL PROPIETARIO/OPERADOR SHINDAIWA

SOPLADOR EB8520 SOPLADOR EB8520RT



EB8520RT



EB8520



¡ADVERTENCIA!

¡Minimice el riesgo de lesiones a usted mismo y a los demás! Lea detenidamente este manual y familiarícese con su contenido. Siempre use equipo de protección para los ojos y oídos cuando opere esta máquina.

shindaiwa®

Número de pieza 68915-94310 Rev. 9/08

Introducción

Su equipo Shindaiwa EB8520 ha sido diseñado y fabricado para ofrecer un excelente rendimiento y confiabilidad sin comprometer la calidad, la comodidad, la seguridad o la durabilidad.

La información contenida en este manual describe unidades disponibles al momento de su fabricación. Si bien se intenta entregar la información más reciente acerca del soplador Shindaiwa EB8520, es posible que existan algunas diferencias entre el soplador EB8520 y lo que se describe aquí.



¡ADVERTENCIA!

Las emisiones liberadas por el escape del motor de esta unidad contienen sustancias químicas que en el estado de California son consideradas como causantes de cáncer, defectos congénitos u otros efectos nocivos para la reproducción.

¡IMPORTANTE!

Antes de utilizar esta unidad, consulte las reglamentaciones locales relativas a restricciones de ruido y horas de operación.

Shindaiwa Inc. se reserva el derecho de efectuar cambios en la producción sin aviso previo y sin obligación de realizar modificaciones a las unidades fabricadas con anterioridad.

¡PRECAUCIÓN!

¡Este soplador está equipado con un silenciador con guardachispas! Nunca opere esta unidad si el silenciador y el guardachispas no están instalados o no funcionan correctamente.

Contenido

	PAGINA		PAGINA
Seguridad.....	SP_3	Llenado del tanque de combustible	SP_8
Descripción de la Unidad	SP_5	Arranque del motor	SP_9
Especificaciones	SP_5	Detención del motor	SP_10
Ensamblaje.....	SP_6	Ajuste de la Marcha Ralentí del Motor	SP_10
Mezclado del Combustible.....	SP_8	Control del Acelerador	SP_11
		Uso del soplador.....	SP_12
		Mantenimiento	SP_13
		Almacenamiento Prolongado.....	SP_15
		Guia Diagnostico.....	SP_16
		Garantía limitada de emisiones	SP_17

¡IMPORTANTE!

Los procedimientos operativos descritos en este manual están pensados para ayudarle a sacar el máximo provecho de este equipo y también para protegerlo tanto a usted como a los demás de posibles daños. Estos procedimientos constituyen sólo pautas generales y no están concebidos para reemplazar cualquier regla de seguridad o ley que pueda estar vigente en su zona. Si tiene alguna pregunta relativa a su soplador EB8520 o si no comprende algo de lo que explica este manual, su distribuidor de Shindaiwa estará complacido de asistirle. Si desea información adicional, también puede dirigirse a Shindaiwa Inc. a la dirección impresa en el dorso de este manual.

Declaraciones De Seguridad

En todo el manual encontrará "Notas de Interés Especial".



¡ADVERTENCIA!

Todo texto precedido por el símbolo triangular de atención y la palabra ¡ADVERTENCIA! indica una situación de peligro potencial en la que, de no evitarse, PODRÍAN producir lesiones graves o la muerte.

¡PRECAUCIÓN!

Todo texto precedido por la palabra ¡PRECAUCIÓN! contiene información que deberá ser tenida en cuenta para evitar ocasionar daños en la unidad.

¡IMPORTANTE!

Todo texto precedido por la palabra ¡IMPORTANTE! tiene especial trascendencia.

NOTA:

Todo texto precedido por la palabra "NOTA" contiene información práctica que puede facilitar su trabajo.

Etiquetas información de operación



Lea y siga este manual. De lo contrario, podría sufrir lesiones serias.



Utilice protección para los ojos y oídos todo el tiempo que utilice esta máquina.



Mantenga el cabello y la ropa suelta alejados de la entrada de aire.



Esta unidad está prevista para ser utilizada solamente en el exterior y debe usarse sólo en áreas bien ventiladas.

Español

Instrucciones Generales de Seguridad

Trabaje de manera segura

Los sopladores funcionan a velocidades muy altas y pueden producir serios daños o lesiones si son mal utilizados o utilizados más allá de sus límites. *Nunca permita que opere el soplador EB8520 una persona sin capacitación o instrucción.*

Manténgase alerta

Usted debe estar en condiciones físicas y mentales adecuadas para operar este equipo de manera segura.



¡ADVERTENCIA!

Nunca realice modificaciones ni instale accesorios no autorizados. Nunca utilice accesorios no aprobados por Shindaiwa para usar en esta unidad.



¡ADVERTENCIA!

Nunca opere equipos motorizados de ningún tipo si está cansado o bajo los efectos del alcohol, drogas, medicamentos o cualquier otra sustancia que pueda afectar su capacidad o juicio.



¡IMPORTANTE!

Este motor esta equipada con un sensor de temperatura para prevenir sobrecalentamiento. Si el sensor es activado, la velocidad del motor será reducida a 5,000 min⁻¹ (RPM). Si la velocidad del motor es reducida automáticamente, favor de enfriar la maquina como es descrito en la sección "Uso del soplador".



¡ADVERTENCIA!

Minimice los riesgos de incendio

NUNCA fume ni encienda fuego cerca del equipo.

SIEMPRE detenga el motor y permita que se enfríe antes de volver a cargar combustible. Evite llenar el tanque en exceso y limpie cualquier derrame de combustible.

SIEMPRE revise la unidad antes de cada uso para comprobar que no existan pérdidas de combustible. Durante cada recarga, revise que no haya pérdidas de combustible

alrededor de la tapa o del tanque de combustible. Si es evidente que hay filtraciones de combustible, interrumpa el funcionamiento de la unidad de inmediato. Se deben reparar las pérdidas antes de volver a utilizar la unidad.

SIEMPRE lleve la unidad a una zona alejada de un sector de almacenamiento de combustible u otros materiales fácilmente inflamables antes de arrancar el motor.

NUNCA coloque materiales Inflamables cerca del silenciador del motor.

NUNCA opere el motor sin la pantalla del guardachispas instalada en su lugar.



¡ADVERTENCIA!

Utilice su sentido común

SIEMPRE utilice equipo de protección ocular que cumpla con la norma ANSI Z 87.1 o la norma nacional correspondiente para protegerse contra objetos lanzados por el aire.

NUNCA opere el motor en recintos cerrados. Cerciórese de que siempre haya buena ventilación. El humo o los gases del escape del motor pueden causar serias lesiones o la muerte.

SIEMPRE detenga el equipo inmediatamente si de pronto comienza a vibrar o sacudirse. Inspeccione en busca de accesorios o piezas rotas, faltantes o instaladas incorrectamente.

SIEMPRE mantenga el equipo tan limpio como le resulte práctico. Manténgalo libre de vegetación, barro, etc.

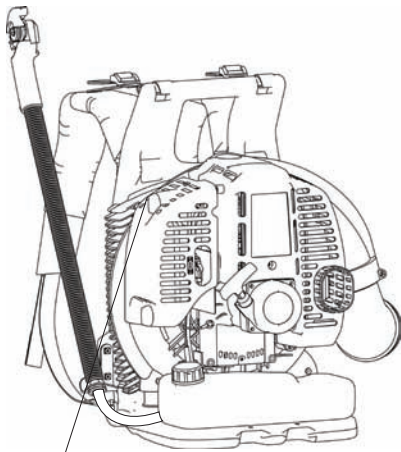
SIEMPRE mantenga las empuñaduras limpias.

SIEMPRE desconecte el cable de la bujía antes de llevar a cabo cualquier trabajo de mantenimiento.

SIEMPRE pare el motor antes de dejar el equipo. Al transportar la unidad en un vehículo, asegúrela correctamente para evitar que la unidad se tumbe, se derrame el combustible y se dañe la unidad.

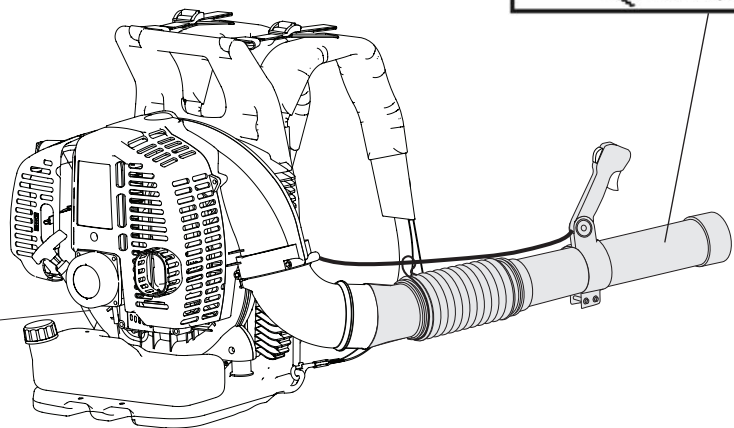
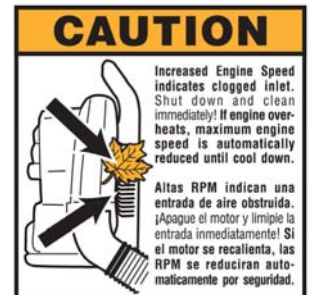
NUNCA introduzca ningún objeto extraño en la abertura de admisión o salida de aire del soplador mientras se encuentre en operación.

Etiquetas de Seguridad



¡IMPORTANTE!

Etiquetas de Seguridad y de Información de Operación: Asegurese que toda las etiquetas estén libres de daños y legibles. Reemplace inmediatamente etiquetas dañadas o faltantes. Etiquetas nuevas están disponibles en su centro de servicio local autorizado de Shindaiwa.



¡ADVERTENCIA!

¡Las superficies de metal de cárter podrían estar calientes! Siempre use guantes cuando toque esta parte.

Operador Adecuadamente Equipado

Use ropa ajustada para proteger sus piernas y brazos. Los guantes siempre proveen protección adicional y son sumamente recomendados. No utilice ropa o joyas que podrían ser atrapados por la maquinaria o los cepillos inferiores. Asegure el cabello para que quede por encima del nivel del hombro. **NUNCA** use pantalones cortos.

Mantenga sus pies bien apoyados y **no extienda el cuerpo demasiado**. Mantenga su equilibrio en todo momento durante la operación del equipo.

Use calzado apropiado (botas o zapatos antideslizantes): no utilice zapatos o sandalias que dejen los dedos al descubierto. **Nunca opere el equipo estando descalzo.**



Utilice equipo de protección auditiva cuando opere este equipo.

Siempre utilice equipo de protección ocular tal como una careta o anteojos de protección mientras opera este equipo. Nunca opere el soplador con escasa visibilidad.

Utilice una mascarilla contra polvo para reducir el riesgo de lesiones por inhalación.

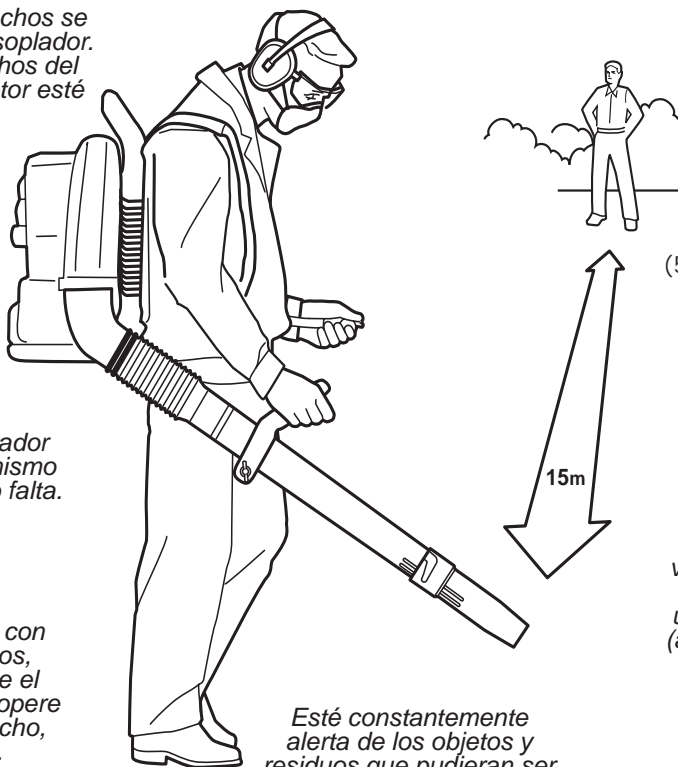
Siempre preste atención a la fuerza y la dirección del flujo de la descarga del soplador. Nunca dirija el flujo de la descarga del soplador hacia personas o animales.

Preste Atención al Entorno de Trabajo

Algunas veces, los desechos se juntan en la entrada del soplador. Nunca limpie los desechos del soplador mientras el motor está funcionando.

Nunca opere el soplador si alguna pieza del mismo está dañada, suelta o falta.

Tenga mucho cuidado con los terrenos resbalosos, especialmente durante el tiempo lluvioso. Nunca opere este soplador en un techo, cornisa o escalera.



Esté constantemente alerta de los objetos y residuos que pudieran ser despedidos por el chorro de aire y rebotar contra una superficie dura.

Asegúrese de que los transeúntes o los observadores ubicados fuera de la "zona de peligro", de 15 metros o 50 pies, utilicen equipo de protección ocular.

15 M
(50 pies)

Evite trabajar durante largo tiempo con clima muy cálido o muy frío.

Reduzca el riesgo de que los transeúntes puedan ser golpeados por residuos que vuelen por el aire. Asegúrese de que no se encuentre nadie en un radio de 15 metros (50 pies) (aproximadamente 16 pasos) de un soplador en operación.

No dirija el chorro de aire hacia los transeúntes. El fuerte flujo de aire podría arrojar pequeños objetos a gran velocidad con el riesgo de posibles lesiones oculares.

Descripción de la Unidad

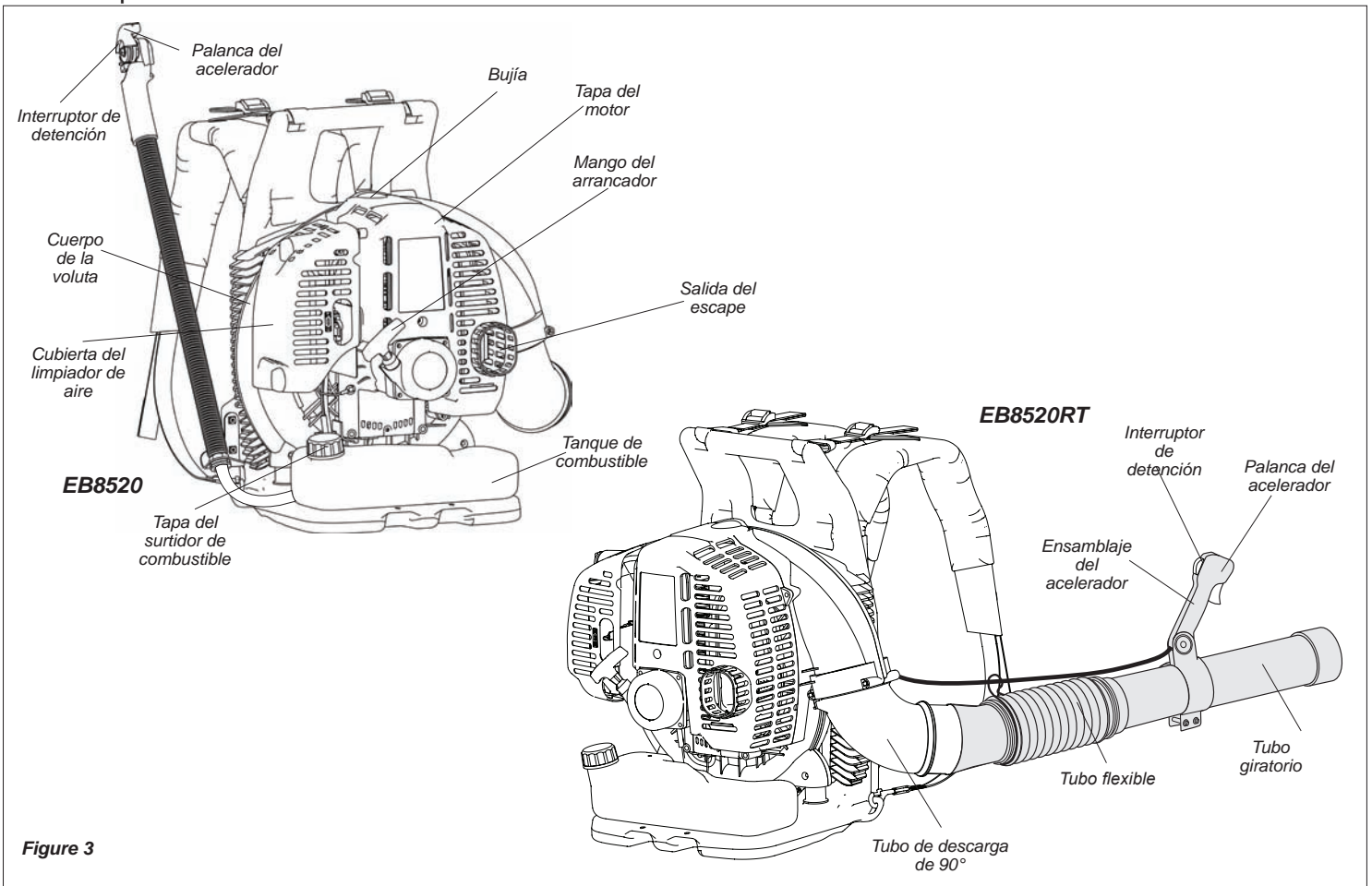


Figure 3

Especificaciones

Modelo	EB8520	EB8520RT
Peso en vacío (sin los tubos del sopador)	11.6 kg/25.57 lbs	11.5 kg/25.35 lbs
Dimensiones (largo x ancho x alto)	350 x 465 x 545 mm	
Tipo de motor.	Motor de gasolina de 4 ciclos enfriado por aire de cilindro vertical	
Diámetro interior y carrera	51 x 39 mm (2.01 x 1.54 inches)	
Desplazamiento	79.7cc (4.86 cu. inches)	
Potencia de salida máx/mín ¹	3.21 kW/4.3 hp @ 7,500 min ⁻¹	
Proporción combustible/aceite	50:1 con aceite de mezcla para 2 ciclos Shindaiwa Premium	
Carburador	Walbro de rotación con bomba cebadora	
Encendido	Ignición per descarga del condensador	
Bujía	NGK CMR5H	
Arranque	Arrancador manual	
Detención	Interruptor con botón (tipo a tierra)	Llave corrediza (tipo a tierra)
Capacidad del tanque de combustible	2.0 litros (67.6 onzas)	
Escape	Silenciador con guardachispas	
Filtrado de aire	Elemento seco con prefiltro	

Las especificaciones están sujetas a cambios sin previo aviso.

Ensamblaje

Antes de proceder con el armado

Usando la Figura 3 como guía, familiarícese con el soplador y sus componentes. El conocimiento del equipo ayuda a asegurar su máximo rendimiento, una mayor vida útil y una operación más segura.

Antes de proceder con el armado del soplador, asegúrese de que dispone de todos los componentes necesarios.

- Ensamble del soplador y de la unidad eléctrica.

Armado del Soplador

¡IMPORTANTE!

Esta unidad está equipada con un cable para la reducción de la descarga estática. Esto sirve para dirigir la estática hacia la corriente de aire reduciendo la carga dirigida hacia el operador.

1. Coloque el soplador hacia arriba en el piso o en una superficie de trabajo robusta y observe la orientación de las piezas, como se muestra en la Figura 4.
2. Extraiga el cable de estática del paquete y fije las boquillas a la izquierda del tornillo de la tapa del motor. Consulte la Figura 5.
3. Gire del tubo de descarga en ángulo recto y deslice el cable antiestática a través de la abrazadera de 102 mm y del tubo flexible.
4. Deslice el tubo flexible sobre el extremo del tubo de descarga de 90° y asegúrelo con la abrazadera de 102 mm.

NOTA:

Verifique que el tubo de descarga de 90° gire libremente. Si hubiera algún ribete, afloje la abrazadera de 102 mm y empuje el cable hacia el motor para obtener más tensión y vuelva a verificar que se pueda mover libremente.

5. Inserte el cable de estática a través del tubo giratorio, después instale y ajuste la abrazadera de 89 mm sobre la banda de rotación del tubo giratorio.
6. Deslice la empuñadura de mano sobre el tubo giratorio y asegure con el perno y la tuerca de mariposa.
7. Doble el extremo del cable de estática hacia atrás sobre la conexión del tubo giratorio. Consulte la Figura 5.
8. Agarrar la boquilla y empujar la boquilla arriba del tubo tornamesa enganchar los pasadores asegurando el alambre de estática. Consulte la Figura 6A.
9. Asegure la boquilla con el tubo tornamesa girando la boquilla y poniendo atención a las marcas de alineamiento. Consulte la Figura 6B.

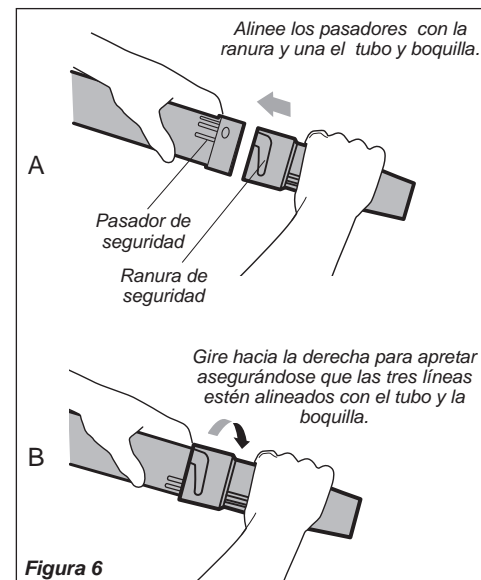
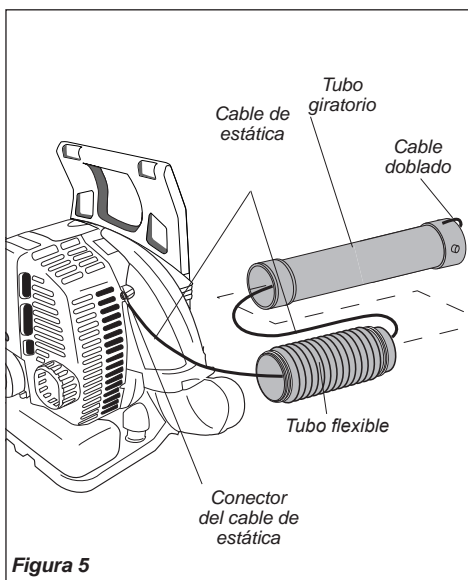
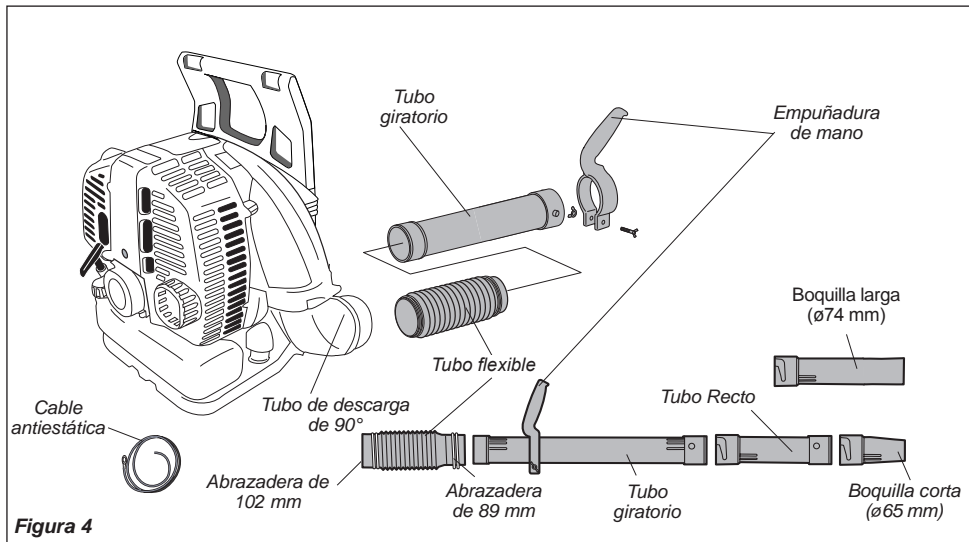
- Tubo Flexible, tubo tornamesa, dos boquillas y tubo recto.
- Empuñadura de mano (Únicamente para unidades que no tengan acelerador de mano derecha (sin RT)).
- Dos abrazaderas de tubos (102 y 89 mm).
- Este Manual del propietario o del usuario y un juego de herramientas que contiene una bolsa de herramientas, una llave hexagonal de 4 mm y una combinación de bujía, llave de dados y destornillador.

- Ensamble del cable (antiestática).

Inspeccione con atención todos los componentes en busca de posibles daños.

¡IMPORTANTE!

Los términos “izquierdo” e “izquierda”, “derecho” y “derecha”, “frontal” y “trasero” se dan desde el punto de vista del operador durante la operación normal.



¡IMPORTANTE!

La instalación del tubo del soplador afecta el rendimiento del soplador. Asegúrese de que los tubos y la tobera estén ensamblados correctamente por arriba y de que todas las conexiones estén ajustadas. Los tubos del soplador pueden separarse durante el uso a menos que estén alineados y ajustados en su lugar.

¡ADVERTENCIA!



¡Peligro con la turbina giratoria!

Antes de instalar o remover los tubos del soplador, detenga el motor. Nunca lleve a cabo ningún procedimiento de mantenimiento o armado en este equipo mientras el motor esté funcionando.

Ensamblaje

Armado del Soplador RT

¡IMPORTANTE!

Esta unidad está equipada con un cable para la reducción de la descarga estática. Esto sirve para dirigir la estática hacia la corriente de aire reduciendo la carga dirigida hacia el operador.

1. Coloque el soplador hacia arriba en el piso o en una superficie de trabajo robusta y observe la orientación de las piezas, como se muestra en la Figura 7.
2. Extraiga el cable de estática del paquete y fije las boquillas a la izquierda del tornillo de la tapa del motor. Consulte la Figura 8.
3. Gire del tubo de descarga en ángulo recto y deslice el cable antiestática a través de la abrazadera de 102 mm y del tubo flexible.
4. Instale sujetador del cable del acelerador un poco adelante de la abrazadera de 102mm, apretando los lazos juntos para que queden por encima del tubo flexible. Vea las figuras 10 A y 10 B.
5. Deslice el tubo flexible sobre el extremo del tubo de descarga de 90° y asegúrelo con la abrazadera de 102 mm.

NOTA:

Verifique que el tubo de descarga de 90° gire libremente. Si hubiera algún ribete, afloje la abrazadera de 102 mm y empuje el cable hacia el motor para obtener más tensión y vuelva a verificar que se pueda mover libremente.

6. Deslice el acelerador completo sobre el tubo giratorio. No ajuste la abrazadera en este momento.
7. Inserte el cable de estática a través del tubo giratorio, después instale y ajuste la abrazadera de 89 mm sobre la banda de rotación sobre el tubo giratorio.
8. Doble el extremo del cable de estática hacia atrás sobre la conexión del tubo giratorio. Consulte la Figura 8.
9. Agarrar la boquilla y empujar la boquilla arriba del tubo tornamesa enganchando los pasadores asegurando el alambre de estática. Consulte la Figura 9A.
10. Asegure la boquilla con el tubo tornamesa girando la boquilla y poniendo atención a las marcas de alineamiento. Consulte la Figura 9B.
11. Ajuste el ensamblaje del acelerador para el mayor confort del usuario y ajuste dos tornillos con cabeza de dado.

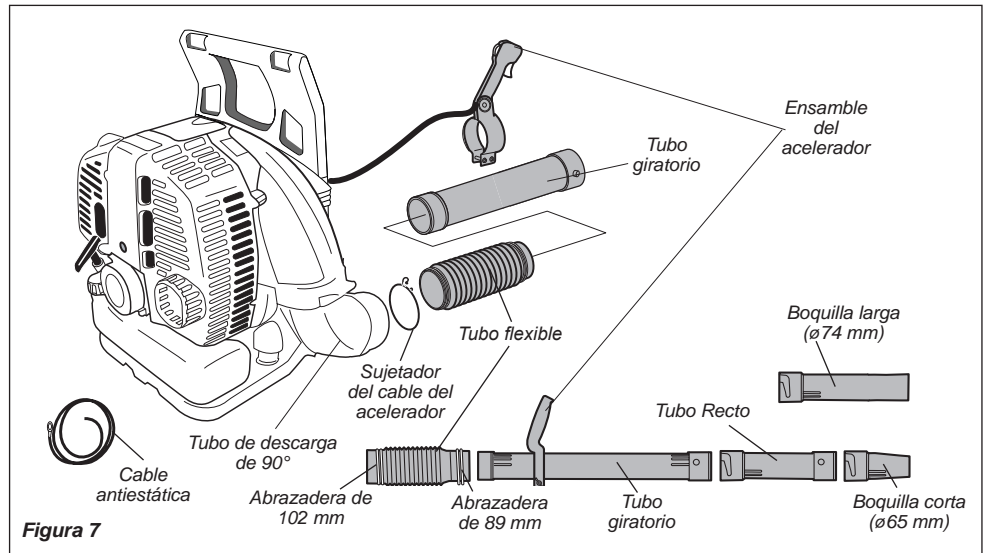


Figura 7

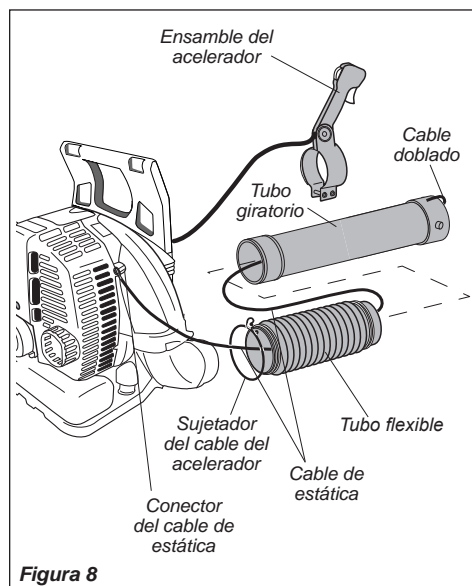


Figura 8

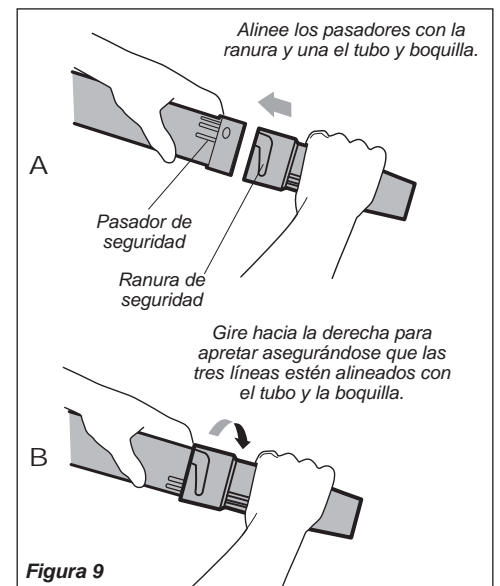


Figura 9

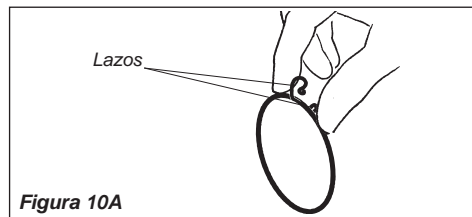


Figura 10A

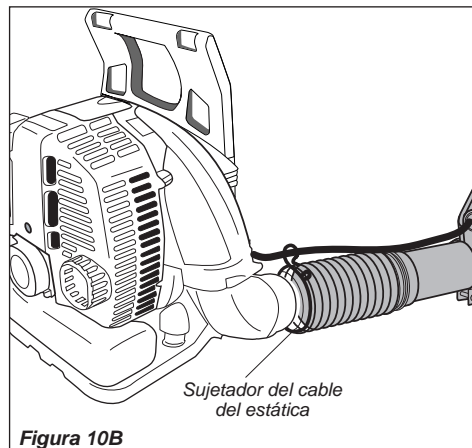


Figura 10B

¡IMPORTANTE!

La instalación del tubo del soplador afecta el rendimiento del soplador. Asegúrese de que los tubos y la tobera estén ensamblados correctamente por arriba y de que todas las conexiones estén ajustadas. Los tubos del soplador pueden separarse durante el uso a menos que estén alineados y ajustados en su lugar.



¡ADVERTENCIA! ¡Peligro con la turbina giratoria!

Antes de instalar o remover los tubos del soplador, detenga el motor. Nunca lleve a cabo ningún procedimiento de mantenimiento o armado en este equipo mientras el motor esté funcionando.

El soplador deberá estar ahora listo para ser utilizado.

Mezcla de Combustible

PRECAUCIÓN!

- Nunca use ningún combustible que contenga más de 10% de alcohol por volumen! Algunas gasolinas contienen alcohol como un oxigenante. Combustibles oxigenados pueden aumentar la temperatura del motor durante su funcionamiento. Bajo ciertas condiciones, combustible con alcohol puede reducir la calidad lubricante de algunos aceites de mezcla.
- Aceites genéricos y algunos aceites para motores fuera de borda pueden no ser para el uso en motores de 2 tiempos, de alto rendimiento, y no deben ser usados en su motor Shindaiwa!

PRECAUCIÓN!

Este motor está diseñado solamente para funcionar con una mezcla de 50:1 de gasolina sin plomo y aceite de mezclar para motores de 2 tiempos. ISO-L-EGD o JASO FC. El uso de aceites de mezclar no autorizados puede conducir a excesos de depósitos de carbón.

- Use solamente gasolina fresca, limpia y sin plomo, con índice de octanaje de 87 o superior.
- Mezcle todo el combustible con aceite de mezclar para motores de 2 tiempos enfriados por aire que cumpla o exceda aceites clasificados ISO-L-EDG y/o JASO FC a proporción de 50:1 gasolina/aceite.

Ejemplos de cantidades de mezcla a proporción de 50:1

Gasolina liters	Mezclar para motores de 2 tiempos milliliters
2,5 - 1	50 ml
5 - 1	100 ml
10 - 1	200 ml
20 - 1	400 ml

IMPORTANTE!

Mezcle solamente el combustible necesario para uso inmediato! De ser necesario almacenar el combustible por más de 30 días, y si no se está usando aceite **shindaiwa ONE** con estabilizador de combustible, entonces el combustible debe ser tratado primero con un estabilizador como por ejemplo StaBil™.

El Aceite **shindaiwa ONE** es un aceite registrado de JASO FC clasificado y también cumple o excede los requisitos de rendimiento de ISO-L-EGD. Shindaiwa One es recomendado para el uso en todos los motores Shindaiwa de baja emisión. Shindaiwa One también incluye el estabilizador de combustible.

Llenando el Tanque de Combustible

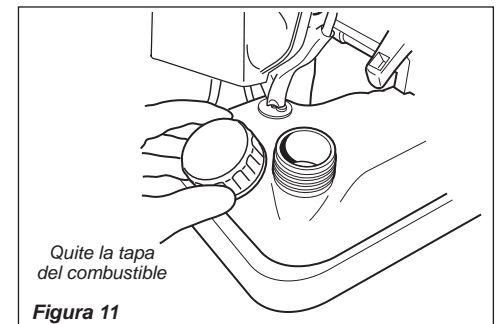


ADVERTENCIA!

Disminuya el riesgo de incendios!

- **NUNCA** fume o encienda fuegos cerca del motor o del combustible!
- **SIEMPRE** deje pararse y enfriar el motor antes de volver a llenar el tanque.
- **SIEMPRE** limpie todo derrame de combustible y aleje el motor por lo menos 10 pies (3 metros) del depósito de combustible antes de volver a prender el motor!
- **NUNCA** coloque material inflamable cerca del silenciador del motor!
- **NUNCA** opere el motor sin antes comprobar que el silenciador y el guardachispas estén funcionando adecuadamente.
- **EL COMBUSTIBLE ES SUMAMENTE INFLAMABLE.**
- **SIEMPRE** mantenga la gasolina en un contenedor aprobado.
- **SIEMPRE** examine la unidad en busca de posibles fugas de combustible antes de cada uso. Durante cada recarga, asegúrese de que no haya fugas de combustible alrededor de la tapa de combustible y/o del tanque. Si detecta alguna fuga, detenga la unidad inmediatamente. Toda fuga de combustible debe haberse reparado antes de utilizar la unidad.
- **SIEMPRE** antes de volver a encender el motor, aléjelo al menos 3 metros del punto de repostaje, del lugar de almacenamiento y de cualquier material fácilmente inflamable.

1. Posicione la máquina sobre una superficie plana y nivelada.
2. Retire cualquier suciedad o despojos alrededor de la tapa de combustible.
3. Retire la tapa de combustible y llene el tanque con combustible fresco y limpio.
4. Reinstale la tapa de combustible y apriete firmemente.
5. Limpie todo el combustible derramado antes de volver a arrancar el motor.



Arranque del motor



¡ADVERTENCIA!

¡Peligro con el impulsor giratorio!

El impulsor girará cada vez que se ponga en funcionamiento el soplador. Nunca ponga en funcionamiento este soplador a menos que la tapa de la admisión y los tubos sopladores estén correctamente instalados y en buenas condiciones de funcionamiento.



¡ADVERTENCIA!

¡Peligro con el polvo o los residuos despididos!

Siempre utilice equipo de protección ocular cuando opere este equipo. Nunca dirija el flujo del soplador hacia personas o animales. Nunca opere este soplador a menos que todos los controles estén correctamente instalados y en buenas condiciones de funcionamiento.

¡PRECAUCIÓN!

El arrancador manual se puede dañar por el uso abusivo.

- ¡Nunca tire del cable del arrancador en toda su extensión!
- Siempre acople el arrancador antes de hacer girar el motor con una manivela.
- Siempre rebobine el cable del arrancador lentamente.
- Nunca opere el soplador si los tubos del mismo faltan o están dañados.

Procedimiento de arranque

1. Coloque el soplador en tierra.
2. Ceebe el sistema de combustible oprimiendo repetidamente el bulbo del cebador de combustible hasta que no se vean burbujas de aire en la línea de descarga de combustible.

¡IMPORTANTE!

El sistema de cebado solamente hace pasar combustible a través del carburador. Si presiona repetidamente el bulbo de cebado no ahogará el motor con combustible.

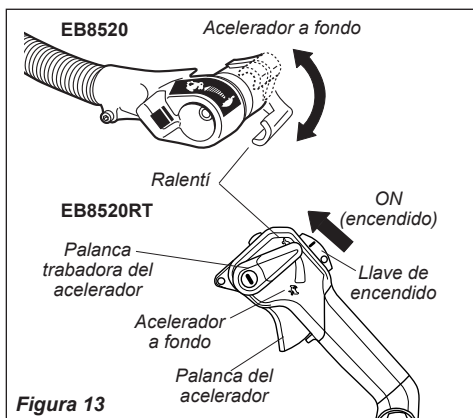


Figura 13

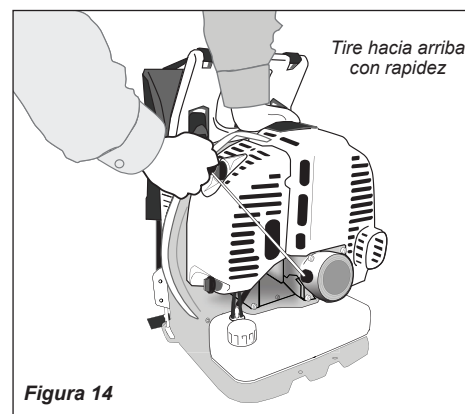


Figura 14

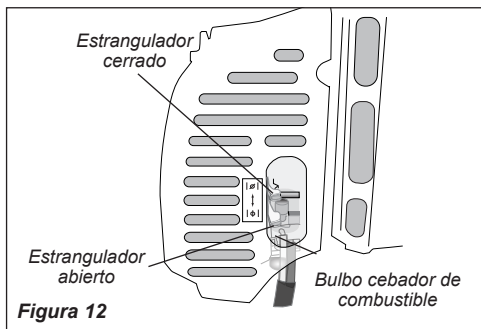


Figura 12

3. Con motor frío únicamente. Pare el motor moviendo hacia arriba la palanca del estrangulador (el estrangulador está cerrado). Consulte la Figura 12.

4. Mueva la palanca del acelerador hasta la mitad. **Modelo RT:** deslice el interruptor de encendido hasta la posición "I" (ENCENDIDO) y después pulse la palanca del acelerador hasta la mitad y trabe el acelerador moviendo la palanca de seguridad del acelerador hasta la mitad, hacia abajo. Consulte la Figura 13.
5. Sostenga el soplador con firmeza con la mano izquierda sobre el cuerpo de la voluta.
6. Con la mano derecha, tire del mango del arrancador lentamente hasta que sienta que el arrancador está engranado. Consulte la Figura 14.

7. Con el arrancador engranado, tire del mango del arrancador hacia arriba con rapidez.
8. Si es necesario, repita los pasos 6 y 7 hasta que arranque el motor.



¡ADVERTENCIA!

Nunca opere el soplador a menos que todos los controles estén correctamente instalados y en buenas condiciones de funcionamiento. Nunca opere el soplador si falta la cubierta del cilindro o está dañada.

Después de que arranque el motor

- Abra el estrangulador (si aún no está abierto) moviendo hacia abajo la palanca del estrangulador.

- Si el motor sigue sin funcionar, repita los procedimientos adecuados de arranque para un motor frío o caliente.

- Después de que arranque el motor, permita que caliente en marcha mínima por 2 ó 3 minutos antes de usar la máquina.

Arranque del motor (continuación)

Si el motor no arranca...

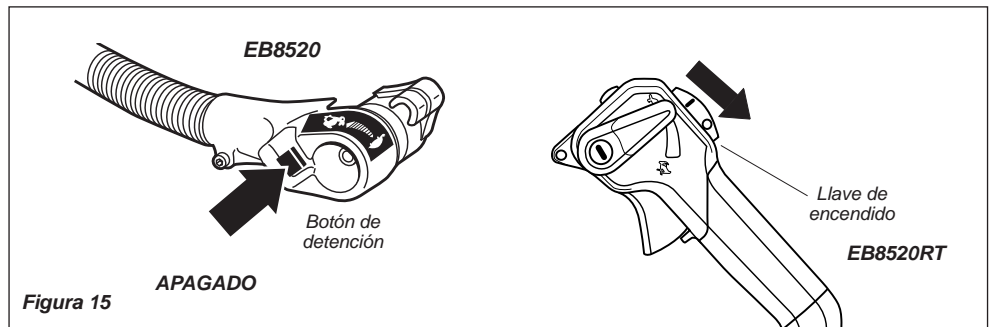
Repita los procedimientos de arranque adecuados para un motor caliente o frío. Si aun así el motor no arranca, siga el procedimiento "Arranque de un motor ahogado".

Arranque de un motor ahogado

1. Desconecte el cable de la bujía y saque la bujía (consulte la página 12 para ver los procedimientos).
2. Si la bujía está sucia o embebida en combustible, limpie o reemplace la misma según sea necesario.
3. Sin la bujía, abra el estrangulador, lleve la palanca del acelerador a la posición de máxima aceleración y vacíe el exceso de combustible de la cámara de combustión arrancando con la manivela varias veces.
4. Instale y ajuste la bujía y reconecte el cable de la bujía.
5. Repita el procedimiento de arranque para un motor caliente.
6. Si aun así el motor sigue sin arrancar, consulte el diagrama de localización y reparación de fallas ubicado al final de este manual.

Detención del motor

1. Enfríe el motor dejándolo funcionar en ralentí durante 2 a 3 minutos.
2. Presione y mantenga presionado el botón de detención hasta que el motor se detenga. **Modelo RT:** deslice el interruptor de arranque hacia atrás hasta la posición "O" (APAGADO). Consulte la Figura 15.



Ajuste de la marcha ralentí del motor

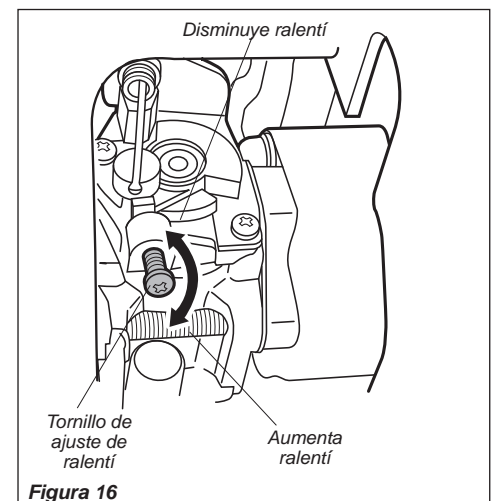
¡IMPORTANTE!

Un flujo de aire limpio y sin obstrucciones es esencial para el rendimiento y la durabilidad del motor del soplador. Antes de intentar cualquier ajuste del carburador, inspeccione y limpie el filtro de aire del motor. Consulte la sección "Mantenimiento" de este manual.

1. Coloque la unidad en tierra y arranque el motor, después déjelo en marcha ralentí durante 2-3 minutos hasta que se caliente.
2. Si dispone de un tacómetro, la marcha ralentí del motor se debe terminar ajustando en 2.000 (± 200) min^{-1} (RPM). Consulte la figura 16.

NOTA:

Los ajustes de la mezcla de combustible del carburador están preestablecidos en fábrica en las unidades con sistemas de control de emisiones y no se les puede realizar servicios en campo.



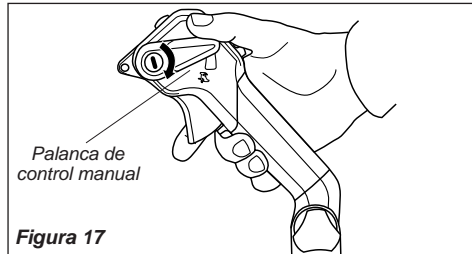
Control del acelerador (Soplador RT)

La soplador RT está equipada con un control de acelerador de múltiples funciones. La función "Cruise" permite que el usuario use una palanca que se controla manualmente para usar a velocidad constante sin usar el gatillo del acelerador. Esto es útil para limitar la fatiga que provoca sostener el acelerador durante largos períodos de tiempo.

Función Cruise

Usando el pulgar derecho, baje la palanca para trabar el acelerador hasta alcanzar la configuración de min^{-1} (RPM) que se desea. Consulte la Figura 17.

Por el contrario, un control "Limitador" de dos posiciones permite usar la velocidad máxima del motor cuando se establece en "Turbo" o limitar el acelerador en una velocidad preestablecida cuando se lo establece para ruido bajo (dB).



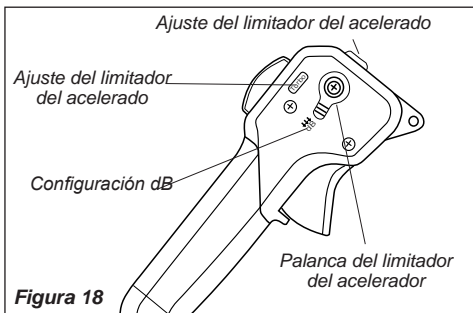
Para reducir las min^{-1} (RPM) a ralentí, lleve la palanca hacia atrás, hasta la posición original.

Limitador del acelerador

La soplador RT tiene una función que limita el acelerador y permite que el usuario pre-seleccione la velocidad máxima del motor. Esto es útil para reducir el ruido emitido por el soplador en áreas sensibles al ruido.

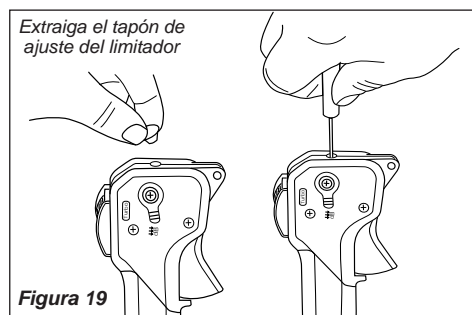
Configuración del limitador del acelerador:

1. Para obtener una configuración que reduzca el ruido, mueva el limitador del acelerador ubicado a la derecha del control del acelerador hasta la configuración dB. Consulte la Figura 19.



Ajuste del limitador del acelerador:

1. Saque el tapón ubicado en la parte superior del ensamblaje del acelerador. Consulte la Figura 20.
2. Mueva la palanca del limitador del acelerador hasta la configuración "dB". Consulte la Figura 20.
3. Con el motor en funcionamiento y mientras suelta el regulador del acelerador, use un pequeño destornillador Phillips para girar el tornillo de ajuste hacia la derecha para reducir las min^{-1} (RPM) y hacia la izquierda para aumentarlas hasta alcanzar el límite de min^{-1} (RPM) que se desea.
4. Reinstale el tapón de ajuste del limitador.



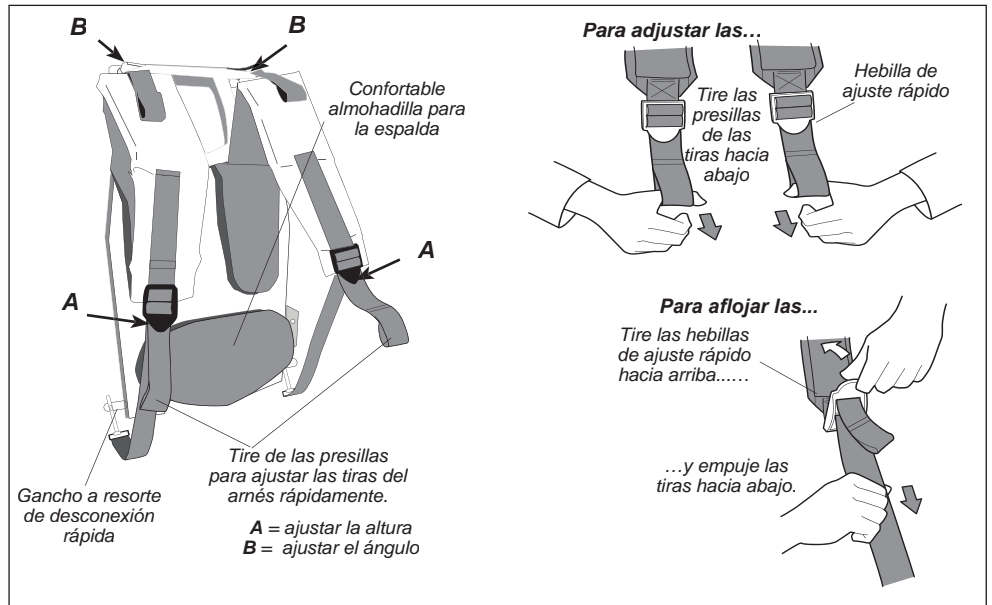
NOTA:

Con el limitador del acelerador ajustado en $3,850 \text{ min}^{-1}$ (RPM), la soplador RT tendrá un nivel de sonido de 65 dB (A) medido a 15 m (50 pies).

Ajuste del arnés

El Soplador de Shindaiwa presenta un sistema de arnés avanzado que sirve para facilitar la operación y para que el usuario tenga el máximo nivel de confort.

- El arnés de hombro está relleno con una almohadilla blanda para reducir la fatiga del usuario.
- El sistema de ajuste simplificado facilita adaptar el arnés a todo tipo y tamaño de cuerpos.



Uso del soplador

Consejos para operar

En las manos de un operador experimentado, la unidad puede desplazar eficientemente una amplia variedad de residuos que van desde pasto cortado a grava. Como regla general, opere el soplador con el acelerador en la posición más baja que se necesite para realizar el trabajo:

- Utilice las configuraciones bajas del acelerador cuando despeje materiales livianos presentes sobre el césped o entre matorrales.
- Utilice configuraciones intermedias a altas del acelerador para desplazar pasto u hojas desde lotes de estacionamiento o andadores peatonales.

- Utilice el acelerador al máximo cuando desplace cargas pesadas, tales como tierra o nieve.

¡IMPORTANTE!

El ruido del soplador aumenta a configuraciones superiores del acelerador. Siempre utilice la configuración más baja requerida del acelerador que permita realizar un determinado trabajo.

Sensor de temperatura

Este motor esta equipada con un sensor de temperatura para prevenir sobrecalentamiento. Si sobrecalentamiento del motor ocurre, la velocidad del motor será reducida a 5,000 min⁻¹ (RPM).

Si la velocidad del motor no sube arriba de 5,000 min⁻¹ (RPM), favor de enfriar el motor de la siguiente manera:

- Apague el motor
- Remover hojas de árboles o basura de la tapa de la válvula de entrada.
- Encender motor y mantenerlo inactivo por 1 minuto.

PRECAUCIÓN

Si la velocidad del motor es nuevamente reducida después de enfriar el motor, favor de consultar con su representante de servicio autorizado.

Mantenimiento

¡IMPORTANTE!

EL MANTENIMIENTO, REEMPLAZO O REPARACIÓN DE LOS SISTEMAS Y DISPOSITIVOS PARA EL CONTROL DE EMISIONES LO PUEDE REALIZAR CUALQUIER PERSONA O ESTABLECIMIENTO DEDICADO A LAS REPARACIONES. SIN EMBARGO, LAS REPARACIONES CUBIERTAS POR LA GARANTÍA DEBEN SER LLEVADAS A CABO POR UN DISTRIBUIDOR O CENTRO DE SERVICIO AUTORIZADO POR SHINDAIWA CORPORATION EL EMPLEO DE PIEZAS QUE NO SON EQUIVALENTES EN RENDIMIENTO Y DURABILIDAD A LAS PIEZAS AUTORIZADAS PUEDE REDUCIR LA EFECTIVIDAD DEL SISTEMA DE CONTROL DE EMISIONES Y PUEDE AFECTAR EL RESULTADO DE UNA RECLAMACIÓN DE GARANTÍA.



¡ADVERTENCIA!

Antes de realizar cualquier trabajo de mantenimiento, reparación o limpieza en el equipo, asegúrese de que el motor esté totalmente detenido. Desconecte el cable de la bujía antes de realizar trabajos de inspección o mantenimiento.



¡ADVERTENCIA!

Las piezas no estándar pueden no operar correctamente en su equipo y pueden ocasionar daños y lesiones personales.

NOTA:

El empleo de repuestos que no sean estándar podría invalidar su garantía Shindaiwa.

Mantenimiento Diario



¡ADVERTENCIA!

Para reducir la posibilidad de que se produzca un incendio, mantenga el motor y el silenciador libres de suciedad, desechos y hojas.

Antes de comenzar cada día de trabajo, realice lo siguiente:

- Limpie toda la suciedad y los residuos del exterior del soplador y del motor. Revise las aletas de refrigeración y el limpiador de aire en busca de obstrucciones y limpie si es necesario.

¡PRECAUCIÓN!

El motor se enfría con el ingreso de aire en la cubierta de ingreso de aire de la caja del soplador. El ventilador del soplador empuja el aire refrigerador a través de la abertura en la caja del ventilador, forzándolo a pasar por las aletas de refrigeración de los cilindros. Si no se mantienen limpios de suciedad el sistema de enfriamiento y sus pasajes, es probable que el motor se caliente en exceso, lo cual puede producir serios problemas que pueden terminar dañando el motor.

- Inspeccione el motor, el tanque y las mangueras para detectar posibles fugas de combustible y repárelas si es necesario.
- Inspeccione el soplador para detectar componentes sueltos, dañados o faltantes y repare según sea necesario.
- Retire cuidadosamente toda suciedad o residuos acumulados que hubiera en el silenciador y en el tanque de combustible. La suciedad acumulada en dichas zonas puede conducir al sobrecalentamiento, incendio o desgaste prematuro del motor.

Cada 10 Horas

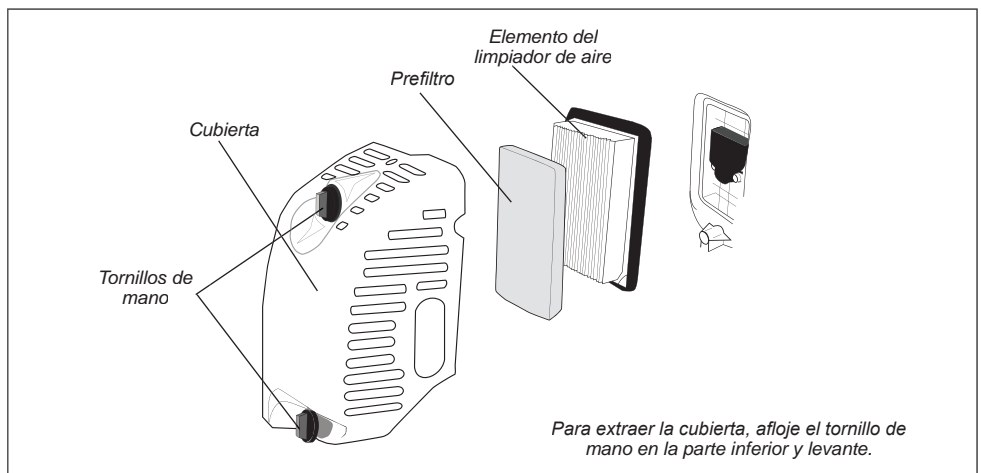
(Más frecuentemente en condiciones rigurosas)

1. Extraiga la cubierta del limpiador de aire aflojando el tornillo de mano y levante. Consulte la Figura 21.
2. Extraiga e inspeccione el prefiltro. Si el prefiltro está torcido o dañado de alguna otra manera, reemplácelo con uno nuevo.
3. Limpie el prefiltro con agua y jabón. Déjelo secar antes de volver a instalarlo.
4. Revise el elemento del limpiador de aire. Si está deformado o dañado, reemplácelo por uno nuevo.

¡IMPORTANTE!

El soplador usa un elemento especial para el filtrado de aire del tipo seco de gran capacidad. El filtro no se debe limpiar con un limpiador líquido y NUNCA se lo debe aceitar.

5. Golpee al filtro suavemente sobre una superficie dura para sacar la suciedad del elemento o use aire comprimido desde el interior para soplar la suciedad hacia afuera del elemento del filtro de aire.



¡IMPORTANTE!

Dirija la corriente de aire sólo hacia la cara interior del filtro.

6. Instale el elemento del filtro, prefiltro y cubierta en el orden inverso en que los sacó.

¡PRECAUCIÓN!

Nunca opere el soplador si el limpiador de aire está dañado o falta.

Mantenimiento (continuación)

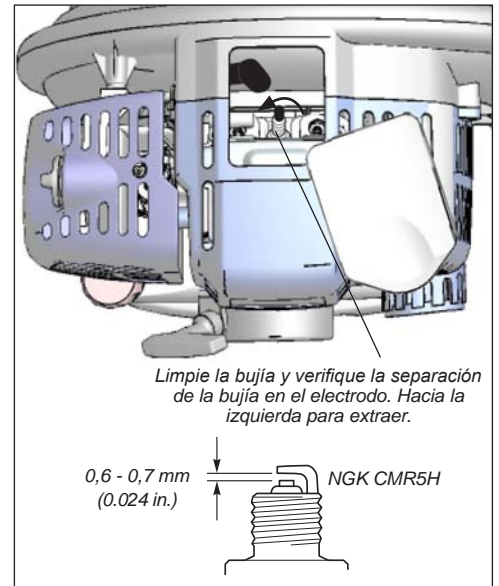
Cada 10 a 15 Horas

¡PRECAUCIÓN!

Nunca permita que la suciedad o los residuos ingresen al diámetro interior del cilindro. Antes de extraer la bujía, limpie a fondo la zona del cabezal de la bujía y el cilindro.

Antes de examinar la bujía deje que el motor se enfríe. Las roscas del cilindro pueden resultar dañadas por ajustar o aflojar la bujía con el motor caliente.

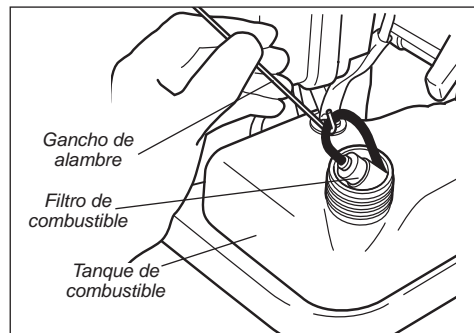
1. Use una llave para bujías para extraer la bujía.
2. Limpie y ajuste la separación de la bujía a 0.6 mm (0.024 pulgadas). Si se debe reemplazar la bujía, sólo utilice una NGK CMR5H o un tipo de bujía equivalente del rango de calor correcto.
3. Instale la bujía en la cabeza del cilindro y luego apriete la misma firmemente con la llave de bujías. Si dispone de una llave de torsión, configure el par de ajuste de la bujía en 16.7 - 18.6 Nm (148 a 165 pulgada-libras).



Cada 50 Horas

(Más frecuentemente si observa que cae el rendimiento)

- **INSPECCIÓN** Inspeccione el soplador y los tubos para detectar daños, incluyendo componentes sueltos o faltantes, y repare según sea necesario.
- **BUJÍA** Reemplace la bujía con una NGK CMR5H (o equivalente) con una separación de 0.6 mm (0.024 pulgadas).
- **FILTRO DE COMBUSTIBLE** Utilice un alambre en forma de gancho para extraer el filtro de combustible del interior del tanque de combustible.



¡PRECAUCIÓN!

Asegúrese de no perforar la línea de combustible con el extremo del gancho de alambre. La línea es delicada y se puede dañar fácilmente.

- **Revise el elemento del filtro** y busque signos de contaminación por suciedad. Un filtro de combustible contaminado se debe reemplazar con un nuevo elemento de repuesto Shindaiwa. Antes de reinstalar el filtro, inspeccione el estado general de la línea de combustible. Si nota daños o deterioro, el soplador deberá ser retirado de servicio hasta que pueda ser inspeccionado por un técnico de servicio capacitado por Shindaiwa.
- **SISTEMA DE REFRIGERACIÓN** Use un raspador de madera o plástico y un cepillo blando para sacar la suciedad y desechos de las aletas del cilindro y del cárter.

Mantenimiento Cada 139/150 Horas

Mantenimiento después de las primeras 139-horas. Después del primer mantenimiento, mantenga cada 150-horas.

- La cámara de combustión debe de ser descarbonizada y la separación de la válvula ajustada. Es recomendable que esto sea hecho por uno técnico entrenado por Shindaiwa.

- Reemplace la bujía anualmente: Use solamente NGK CMR5H o una bujía equivalente con resistencia al calor correcta. Fije la holgura del electrodo de la bujía a 0.6 mm (0.024 pulgadas.)

NOTA:

La NGK CMR5H también cumple con los requisitos de la regulación de electro magnéticos (EMC).

Mantenimiento (continuacion)

Guardachispas

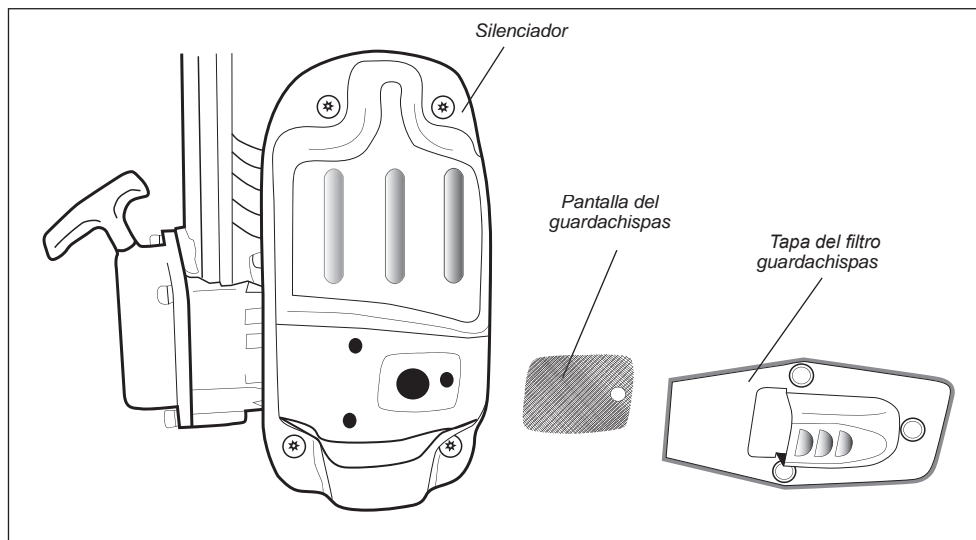


¡ADVERTENCIA!

Nunca opere esta unidad con un silenciador o un guardachispas dañado o faltante. De lo contrario, la operación puede constituir un riesgo de incendio y podría también lesionar sus oídos.

Cualquier dificultad en el arranque o disminución gradual del rendimiento puede ser ocasionada por depósitos de carbón alojados en la pantalla del guardachispas. Para obtener el máximo rendimiento, la pantalla del guardachispas deberá limpiarse periódicamente como se indica a continuación.

1. Quite la tapa de la maquina para exponer el silenciador. Remueva el filtro guardachispas del silenciador. El guardachispas esta unido a presión en su lugar; existen tres tornillos que se necesitan quitar.
2. Utilice un raspador de plástico o cepillo de alambre para aflojar los depósitos de carbón del filtro guardachispas. Luego limpie la base del escape con un trapo.



3. Inspeccione atentamente la pantalla y reemplace cualquier pantalla que haya sido perforada, deformada o no pueda ser reparada.
4. Presione en su lugar el guardachispas dentro de la base del escape.

Si la acumulación de carbón en el silenciador o en el cilindro es severa, o si no observa una mejora en el rendimiento después del servicio, haga revisar la unidad por un distribuidor autorizado de Shindaiwa.

Almacenamiento Prolongado

Cada vez que el equipo no vaya a ser usado durante 30 días o más, siga los siguientes procedimientos para prepararlo para su almacenamiento:

- Limpie a fondo las piezas externas.
- Drene todo el combustible del tanque.

¡IMPORTANTE!

Si no se utiliza aceite Shindaiwa One con estabilizador de combustible, todos los combustibles almacenados deberán ser estabilizados con un estabilizador de combustible, como STA-BIL™.

- Retire el resto del combustible en las tuberías de combustible y carburador.

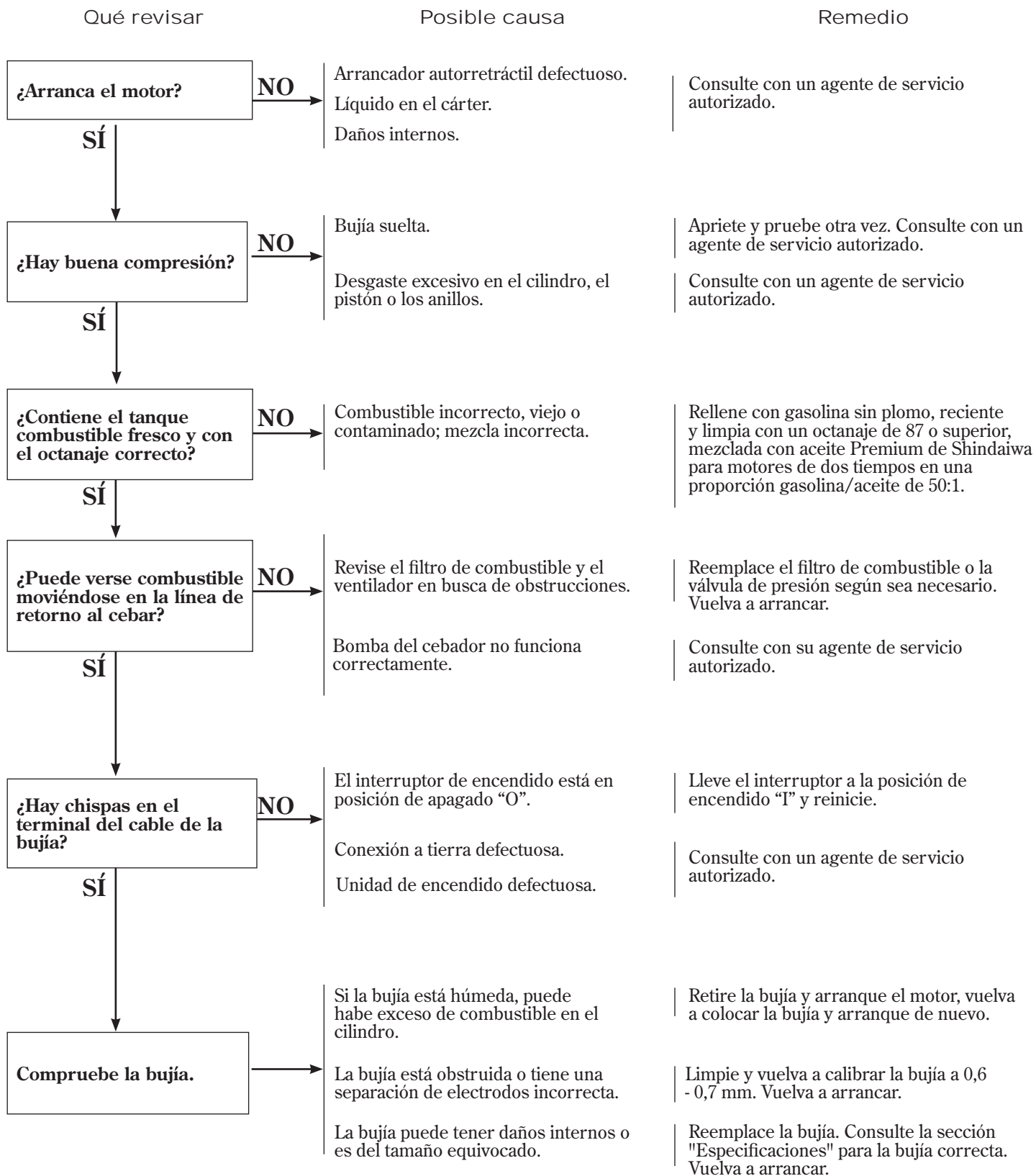
1. Cebe el bulbo del cebador hasta que no pase más combustible.
2. Arranque el motor y manténgalo en operación hasta que deje de funcionar.

¡PRECAUCIÓN!

La gasolina almacenada en el carburador por períodos prolongados puede dificultar el arranque y ocasionar un aumento en los costos de servicio y mantenimiento.

3. Repita los pasos 1 y 2 hasta que el motor ya no arranque.

- Retire la bujía y vierta alrededor de 10 cm³ de aceite de mezcla para motores de 2 ciclos en el cilindro a través del orificio de la bujía. Tire lentamente 2 ó 3 veces del arrancador manual para que el aceite revista uniformemente el interior del motor. Reinstale la bujía.
- Antes de guardar la unidad, repare o reponga cualquier pieza gastada o dañada.
- Extraiga el elemento del limpiador del aire de la unidad y límpielo como se describe en la sección "Mantenimiento: Cada 10 Horas".
- Guarde la unidad en un lugar limpio y libre de polvo.



Qué revisar

Posible causa

Remedio

<p>¿Se sobrecalienta el motor?</p>	<p>Unidad sobrecargada por el usuario.</p>	<p>Funcione más despacio.</p>
	<p>La mezcla del carburador es muy pobre.</p>	<p>Consulte con un agente de servicio autorizado.</p>
	<p>Proporción de combustible inapropiada.</p>	<p>Rellene con gasolina sin plomo, reciente y limpia con un octanaje de 87 o superior, mezclada con aceite Premium de Shindaiwa para motores de dos tiempos en una proporción gasolina/aceite de 50:1.</p>
	<p>Hojas de árboles u otra basura dentro de la tapa de la válvula de entrada.</p>	<p>Limpié la tapa de la válvula de entrada.</p>
	<p>Ventilador, tapa del ventilador o aletas del cilindro sucios o dañados.</p>	<p>Limpiar, reparar o sustituir en caso necesario.</p>
	<p>Depósitos de carbonilla en el pistón o el silenciador.</p>	<p>Consulte con un agente de servicio autorizado.</p>

<p>El motor funciona bruscamente a cualquier velocidad. También puede que salga humo negro o combustible no quemado por el escape.</p>	<p>Filtro de aire obstruido.</p>	<p>Limpié o reemplace el filtro de aire.</p>
	<p>Bujía suelta o dañada.</p>	<p>Apriete o cambie la bujía. Consulte la sección "Especificaciones" para la bujía correcta. Vuelva a arrancar.</p>
	<p>Fuga de aire o conducto de combustible obstruido.</p>	<p>Repare o cambie el filtro o el conducto de combustible.</p>
	<p>Agua en el combustible.</p>	<p>Vuelva a llenar de mezcla reciente de combustible y aceite.</p>
	<p>Pistón gripado.</p>	<p>Consulte con un agente de servicio autorizado.</p>
	<p>Carburador y/o diafragma defectuoso.</p>	<p>Consulte con un agente de servicio autorizado.</p>

<p>El motor golpea.</p>	<p>Sobrecalentamiento.</p>	<p>Consulte con un agente de servicio autorizado</p>
	<p>Combustible inadecuado.</p>	<p>Revise el índice de octanaje del combustible; revise si el combustible contiene alcohol. Reposte cuando sea necesario.</p>
	<p>Depósitos de carbonilla en la cámara de combustión.</p>	<p>Consulte con un agente de servicio autorizado.</p>

<p>Velocidad del motor es reducido</p>	<p>Sensor de temperatura ha sido activado a causa de aire obstruido hacia la tapa de la válvula de entrada.</p>	<p>Apagar el motor. Limpiar basura de la tapa de la válvula de entrada. Volver a encender motor. Mantener motor inactivo por 1 minuto Si la velocidad del motor es nuevamente reducida después de enfriar el motor, favor de consultar con su representante de servicio autorizado.</p>
---	---	---

Español

Qué revisar	Posible causa	Remedio
<p>Deficiente aceleración.</p>	<p>Filtro de aire obstruido. Filtro de combustible obstruido. Mezcla de combustible/aire muy pobre. Ralentí ajustado muy bajo.</p>	<p>Limpie o reemplace el filtro de aire. Cambie el filtro de combustible. Consulte con un agente de servicio autorizado. Ajuste: 2.000 (±200) min⁻¹.</p>
<p>El motor se detiene abruptamente.</p>	<p>Interruptor en posición de apagado. Tanque de combustible vacío. Filtro de combustible obstruido. Agua en el combustible. Bujía defectuosa o terminal flojo. Fallo en el sistema de encendido. Pistón gripado</p>	<p>Restablezca el interruptor y vuelva a arrancar. Reposte combustible. Consulte la sección "Llenando el Tanque de Combustible". Cambie el filtro de combustible. Drene; cambie con combustible limpio. Consulte la sección "Llenando el Tanque de Combustible".. Limpie o reemplace la bujía. Consulte la sección "Especificaciones" para la bujía correcta. Apriete el terminal. Reemplace el sistema de encendido. Consulte con un agente de servicio autorizado.</p>
<p>Difícil apagado del motor.</p>	<p>Cable de conexión a tierra (detenido) desconectado o llave defectuosa. Sobrecalentamiento debido a bujía incorrecta. Motor sobrecalentado.</p>	<p>Pruebe y reemplace según sea necesario. Limpie o reemplace la bujía. Consulte la sección "Especificaciones" para la bujía correcta. Apriete el terminal. Deje el motor al ralentí hasta que se enfríe.</p>
<p>Excesiva vibración.</p>	<p>Acumulación de la basura en impeedor Impeedor torcido o dañado. Montajes de motor flojos o dañados</p>	<p>Limpiar la basura del impeedor como sea necesario. Examinar o substituir el impeedor como sea necesario. Apretar o substituir los montajes de motor como sea necesario.</p>
<p>Motor se acelera demasiado.</p>	<p>Válvula de entrada, conducto o tubos de desecho de la sopladora están tapados con basura. Cuchillas de turbinas no están o están dañadas.</p>	<p>Inspeccione y remueva la basura. Consulte con su agente de servicio autorizado.</p>
<p>Velocidad del motor es reducido</p>	<p>Sensor de temperatura ha sido activado a causa de aire obstruido hacia la tapa de la válvula de entrada.</p>	<p>Apagar el motor. Limpiar basura de la tapa de la válvula de entrada. Volver a encender motor. Mantener motor inactivo por 1 minuto Si la velocidad del motor es nuevamente reducida después de enfriar el motor, favor de consultar con su representante de servicio autorizado.</p>

Declaración de Garantía del Sistema de Emisión

Sus Derechos y Obligaciones de Garantía

La Junta de Recursos de Aire de California, La Agencia de Protección del Ambiente Estadounidense y la Corporación Shindaiwa se complacen en explicar la garantía del sistema de control del escape y evaporación de emisiones de su nuevo motor pequeño (no para el uso en automóviles).

En California, los motores pequeños (no para el uso en automóviles) están diseñados, construidos y equipados para cumplir con las normas exigentes de anti-contaminantes del Estado de California. En otros estados, los motores nuevos (no para el uso en automóviles) de 1997 para adelante deben cumplir las normas federales exigentes de la EPA de anti-contaminantes. La Corporación Shindaiwa debe garantizar el sistema de control de emisión de su motor pequeño (no para el uso en automóviles) durante los períodos mencionados abajo, asumiendo que no haya habido abuso, negligencia o mantenimiento impropio en su motor pequeño (no para el uso en automóviles).

Su sistema de control de escape y evaporación de emisiones incluye partes, tal como el carburador, tanque de combustible, el sistema de encendido, y, si está equipado, el convertidor catalítico. Estos componentes están mencionados específicamente abajo.

Cuando exista una condición bajo garantía, la Corporación Shindaiwa reparará su pequeño motor (no para el uso en automóviles) sin costo alguno para usted incluyendo el diagnóstico, repuestos y mano de obra.

Cobertura de la Garantía del Fabricante

Cuando sea vendido en los Estados Unidos, el sistema de control de emisión de este motor está garantizado por un periodo de dos (2) años desde la fecha en que el producto es entregado por primera vez al comprador minorista original.

Durante el periodo de la garantía, la Corporación Shindaiwa reparará o cambiará, a su discreción, cualquier componente defectuoso relacionado con el sistema de emisión del motor. Durante el periodo original de la garantía, estos derechos de garantía son automáticamente transferibles a propietarios subsiguientes de este producto.

Que Está Cubierto Por Esta Garantía

1. Los componentes internos del carburador.
 - La válvula de aceleración, la aguja, pistón, diafragma medidor.
2. Tanque de combustible
3. Los componentes del sistema de encendido.
 - Rosca del arrancador.
 - Rotor del volante.
4. Convertidor catalítico (si está originalmente equipado).

El sistema de control de emisión de su motor Shindaiwa puede también incluir ciertas mangueras y conexiones particulares.

Responsabilidades de Garantía del Propietario

Como propietario del motor pequeño (no para el uso en automóviles), es usted responsable por el rendimiento del mantenimiento requerido y mencionado en este manual del propietario. La Corporación Shindaiwa recomienda que guarde todo los recibos que demuestren el mantenimiento de su motor pequeño (no para el uso en automóviles), pero la Corporación Shindaiwa no puede negar la garantía solamente por la falta de recibos o por no llevar a cabo los mantenimientos programados.

Como propietario del motor pequeño (no para el uso en automóviles), debe saber que la Corporación Shindaiwa puede negarle la cobertura de garantía si su motor o sus partes han fallado debido a abuso, negligencia, mantenimiento impropio, o modificaciones no autorizadas.

Usted es responsable de presentar su pequeño motor (no para el uso en automóviles) a un centro de servicio Shindaiwa autorizado tan pronto como se presente un problema. Las reparaciones bajo garantía deben ser completadas en un tiempo razonable que no exceda 30 días.

Si tiene alguna pregunta con respecto a sus derechos y responsabilidades de garantía, usted debe contactar a un representante del servicio al cliente de Shindaiwa al (503) 692-3070 o a su centro local de servicio Shindaiwa.

Daños Consiguientes

En el evento de que alguna otra parte de los componentes de este producto estén dañados debido a la falla de alguna parte bajo la garantía, la Corporación Shindaiwa, reparará o cambiará tales partes sin costo alguno para usted.

Que No Está Cubierto

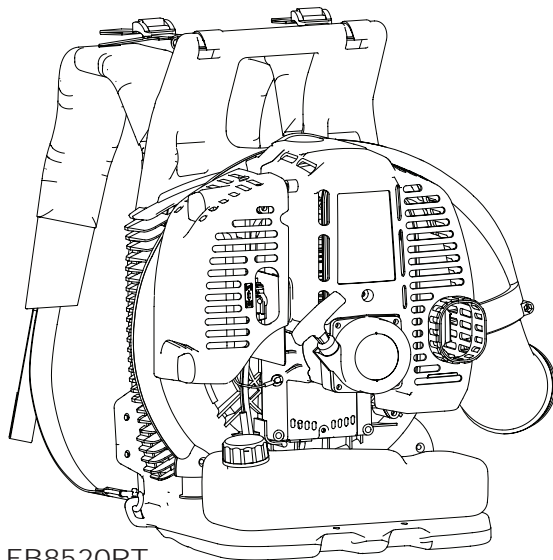
- Fallas causadas por abuso, negligencia, o mantenimiento impropio.
- Fallas causadas por el uso de piezas o accesorios modificados o no autorizados.

Esta garantía es administrada por:

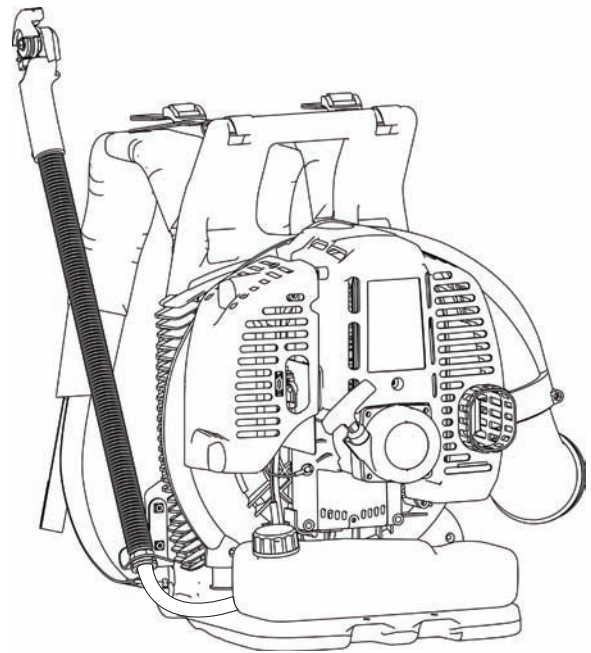
Shindaiwa Inc.
11975 SW Herman Rd
Tualatin, OR 97062
Teléfono: 503 692 3070

MANUEL D'UTILISATION SHINDAIWA

SOUFFLEUR EB8520 SOUFFLEUR EB850 RT



EB8520RT



EB8520



AVERTISSEMENT !

Réduisez le risque de blessures pour vous et les autres ! Lire le présent manuel et se familiariser avec son contenu. Toujours porter un dispositif de protection des yeux et des oreilles pendant l'utilisation de l'appareil.

shindaiwa®

Numéro de référence 68915-94310 Rev. 9/08

Introduction

Votre Shindaiwa souffleur a été conçu et fabriqué dans le but d'offrir une performance et une fiabilité supérieures sans compromettre la qualité, le confort, la sécurité ou la durabilité.

Les renseignements contenus dans le présent manuel décrivent les appareils disponibles au moment de la fabrication. Malgré tous les efforts déployés pour vous offrir l'information la plus récente sur votre souffleur Shindaiwa souffleur, il peut y avoir des différences entre votre appareil de série souffleur et ce qui est décrit dans ce manuel.



AVERTISSEMENT !

Les gaz d'échappement du moteur de cet appareil contiennent des substances chimiques reconnues par l'État de Californie pour causer le cancer, des anomalies congénitales ou être nocives pour l'appareil reproducteur.

IMPORTANT !

Avant d'utiliser cet appareil, consulter les réglementations locales relatives aux restrictions sonores et aux heures d'utilisation !

Shindaiwa Inc. se réserve le droit d'apporter des modifications à la fabrication sans préavis, et se dégage de toute obligation d'apporter des modifications aux appareils déjà fabriqués.

MISE EN GARDE !

Ce souffleur est équipé d'un silencieux doté d'un pare-étincelles ! Ne jamais utiliser cet appareil sans le silencieux et le pare-étincelles et sans qu'ils ne fonctionnent correctement !

Table des matières

	PAGE		PAGE		PAGE
Mises en garde	FR_2	Remplissage		Utilisation du souffleur	FR_12
Mesures de sécurité générales.....	FR_3	du réservoir à essence.....	FR_8	Entretien	FR_13
Description de l'appareil.....	FR_5	Démarrage du moteur	FR_9	Remisage à long terme	FR_15
Caractéristiques techniques.....	FR_5	Arrêt du moteur	FR_10	Guide de dépannage	FR_16
Assemblage.....	FR_6	Réglage du		Garantie fédérale limitée	FR_17
Mélange d'essence.....	FR_8	régime de ralenti du moteur	FR_10		

IMPORTANT !

Les procédures d'utilisation décrites dans ce manuel visent à vous aider à tirer le maximum de votre appareil, et également à vous protéger (vous-même et les autres) contre les blessures. Ces procédures constituent uniquement des lignes directrices, et ne remplacent d'aucune façon d'autres mesures de sécurité ni les lois en vigueur dans votre région. Pour toute question sur votre souffleur ou pour toute clarification sur les renseignements contenus dans le présent manuel, votre vendeur Shindaiwa se fera un plaisir de vous aider. Pour toute information complémentaire, vous pouvez également communiquer avec Shindaiwa Inc. à l'adresse imprimée au verso du manuel.

Mises en garde

Vous trouverez des « mises en garde » spéciales dans tout le manuel.



AVERTISSEMENT !

Une mise en garde précédée du symbole triangulaire de mise en garde et du mot AVERTISSEMENT contient de l'information dont il faut tenir compte pour éviter les blessures graves.

MISE EN GARDE !

Une mise en garde précédée du mot MISE EN GARDE contient de l'information dont il faut tenir compte pour éviter d'endommager l'appareil.

IMPORTANT !

Un énoncé précédé du mot « IMPORTANT » contient des informations d'une importance particulière.

REMARQUE :

Un énoncé précédé du mot REMARQUE contient de l'information utile pouvant faciliter votre travail.

Étiquettes informatives relatives au fonctionnement et à la sécurité



Lire et suivre les consignes énoncées dans le présent manuel. Négliger de le faire peut causer des blessures graves.



Il est recommandé de porter des dispositifs de protection pour les yeux et pour les oreilles en tout temps pendant l'utilisation de l'appareil.



Ne jamais diriger la buse du souffleur vers un observateur lorsque l'appareil est en marche.



Cet appareil est exclusivement destiné à être utilisé à l'extérieur, et ne doit être utilisé que dans des endroits bien aérés.

Sécurité

Travailler en toute sécurité

Les souffleurs fonctionnent à très haute vitesse et peuvent causer de sérieux dommages et de sérieuses blessures s'ils sont mal utilisés ou si on en fait un emploi abusif. Ne jamais laisser une personne non qualifiée qui n'a jamais reçu de directives utiliser votre souffleur!

Demeurer alerte

Vous devez être physiquement et mentalement alerte pour utiliser cet appareil en toute sécurité.



AVERTISSEMENT !

Ne jamais effectuer des modifications ou poser des accessoires non approuvés. Ne jamais utiliser des accessoires non approuvés par Shindaiwa.



AVERTISSEMENT !



Ne jamais utiliser de l'équipement motorisé si vous êtes fatigué, sous l'influence d'alcool, de drogues ou de toute autre substance qui pourrait nuire à votre concentration ou à votre jugement.

IMPORTANT !

Ce moteur est équipé d'un capteur thermique afin d'éviter la surchauffe du moteur. Si le capteur thermique est activé, le régime moteur diminue et atteint 5 000 min⁻¹. Si le régime moteur diminue automatiquement, laissez refroidir le moteur comme indiqué à la section « Utilisation du souffleur ».



AVERTISSEMENT !

Pour réduire le risque d'incendie

NE JAMAIS fumer ou allumer de feu près de l'appareil.

TOUJOURS arrêter le moteur et le laisser refroidir avant de remplir le réservoir à essence. Éviter de trop remplir le réservoir et essuyer toute essence qui pourrait s'être répandue ou qui pourrait avoir débordé.

NE JAMAIS mettre le moteur en marche sans le pare-étincelles.

TOUJOURS vérifier les fuites d'essence avant chaque usage. À chaque remplissage, s'assurer que l'essence ne s'écoule pas du bouchon et (ou) du réservoir à essence. En cas de fuite apparente, cesser immédiatement d'utiliser l'appareil. Réparer toute fuite avant d'utiliser l'appareil.

TOUJOURS déplacer l'appareil à l'écart de la zone d'entreposage d'essence ou d'autres substances inflammables avant de démarrer le moteur.

NE JAMAIS placer de substances inflammables à proximité du silencieux.



AVERTISSEMENT !

Faire preuve de jugement.

TOUJOURS porter des lunettes de sécurité conformes à la norme ANSI Z 87.1 ou aux normes nationales en vigueur pour protéger les yeux contre des objets projetés.

NE JAMAIS faire fonctionner le moteur à l'intérieur ! S'assurer qu'il y a toujours une bonne ventilation. Les gaz émanant du tuyau d'échappement peuvent causer de graves blessures voire causer la mort.

TOUJOURS arrêter l'appareil s'il se met à vibrer ou s'il devient instable. Inspecter l'appareil dans le but de trouver les pièces ou les accessoires brisés, mal installés ou manquants.

TOUJOURS garder l'appareil aussi propre que possible. Enlever l'accumulation d'herbe, de boue, etc.

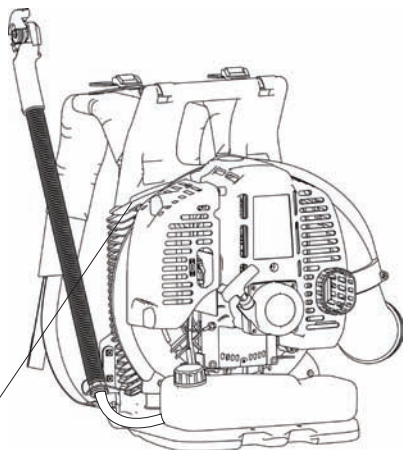
TOUJOURS conserver les poignées propres.

TOUJOURS débrancher le fil de bougie avant de faire des travaux d'entretien.

TOUJOURS éteindre le moteur avant de poser l'appareil au sol. Pour transporter l'appareil dans un véhicule, toujours l'attacher solidement pour éviter le retournement de l'appareil, le déversement d'essence ou d'endommager l'appareil.

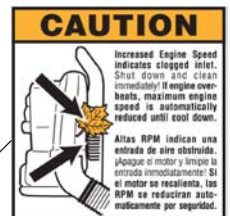
NE JAMAIS insérer de corps étranger dans l'entrée d'air ou le tube d'émission du souffleur lorsque celui-ci est en marche.

Étiquettes de sécurité

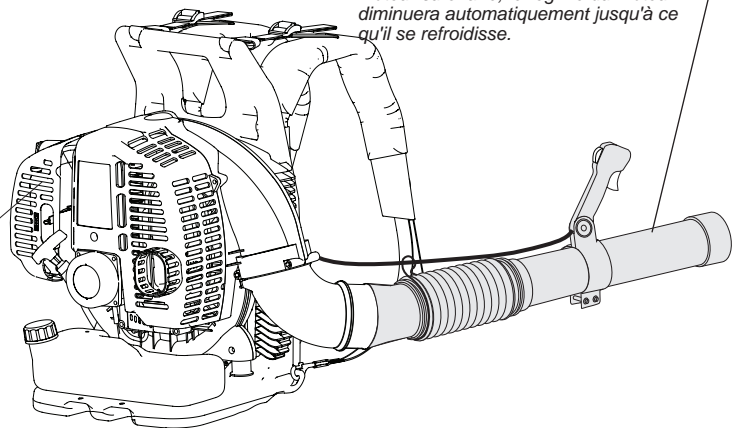


IMPORTANT !

Étiquettes de consigne sur le fonctionnement et la sécurité : s'assurer que les endommagées et qu'elles restent lisibles. Remplacer immédiatement toute étiquette manquante ou endommagée. On peut obtenir de nouvelles étiquettes en s'adressant au distributeur Shindaiwa autorisé e plus près.



Une augmentation du régime du moteur indique que le grillage d'admission d'air est obstrué. Arrêter le moteur immédiatement et nettoyer le tout ! Si le moteur surchauffe, le régime du moteur diminuera automatiquement jusqu'à ce qu'il se refroidisse.



AVERTISSEMENT !

Les surfaces en métal de carter peuvent avoir chaud ! Toujours porter des gants en contrôlant cette unité.

Sécurité

L'utilisateur bien équipé

Porter des vêtements ajustés pour protéger les jambes et les bras. Il est fortement recommandé de porter des gants car ils offrent une sécurité supplémentaire. Ne pas porter de vêtements ou de bijoux qui pourraient facilement se coincer dans l'appareil ou dans les broussailles. Attacher les cheveux au-dessus du niveau des épaules. **NE JAMAIS** porter de culottes courtes.

Toujours porter des dispositifs de protection des oreilles pendant l'utilisation de cet appareil.

Toujours porter un dispositif de protection pour les yeux comme une visière de protection ou des lunettes pendant l'utilisation de l'appareil. Ne jamais utiliser le souffleur si la visibilité est insuffisante.

Porter un masque anti-poussières afin de réduire le risque de blessure par inhalation.

Toujours tenir compte de la puissance et de la direction du souffle d'air du souffleur. Ne jamais diriger le souffle d'air du souffleur vers une personne ou un animal !

Garder le pied ferme et ne pas s'étirer outre mesure. Garder l'équilibre en tout temps.

Porter des articles chaussants (bottes ou souliers antidérapants) : ne jamais porter des sandales ou des chaussures à bouts ouverts. Ne jamais travailler nu-pieds!



Figure 1

Tenir compte de l'environnement de travail

Des débris peuvent parfois s'accumuler sur l'entrée d'air du souffleur. Ne jamais nettoyer les débris accumulés à l'intérieur du souffleur lorsque le moteur est en marche!

S'assurer que les observateurs gardent une distance d'au moins 50 pieds (15 mètres) de la zone dangereuse et qu'ils portent des lunettes de sécurité.

15 METERS

Éviter l'utilisation à long terme à température très chaude ou très froide

Ne jamais faire fonctionner le souffleur si des pièces sont endommagées, desserrées ou manquantes!

Réduire le risque que les observateurs soient heurtés par des objets projetés. Garder toute personne à une distance d'au moins 50 pieds (15 mètres) – environ 16 pas – du souffleur lorsque celui-ci est en marche.

Prendre garde aux terrains glissants, particulièrement lorsqu'il pleut. Ne jamais utiliser ce souffleur sur une toiture, une corniche ou une échelle.

Toujours prendre garde aux objets et aux débris qui peuvent être projetés par le souffle d'air ou rebondir sur une surface solide.

Ne jamais diriger le souffle d'air vers un observateur. La puissance du souffle d'air peut projeter des petits objets à grande vitesse et provoquer des blessures aux yeux.



Figure 2

Description de l'appareil

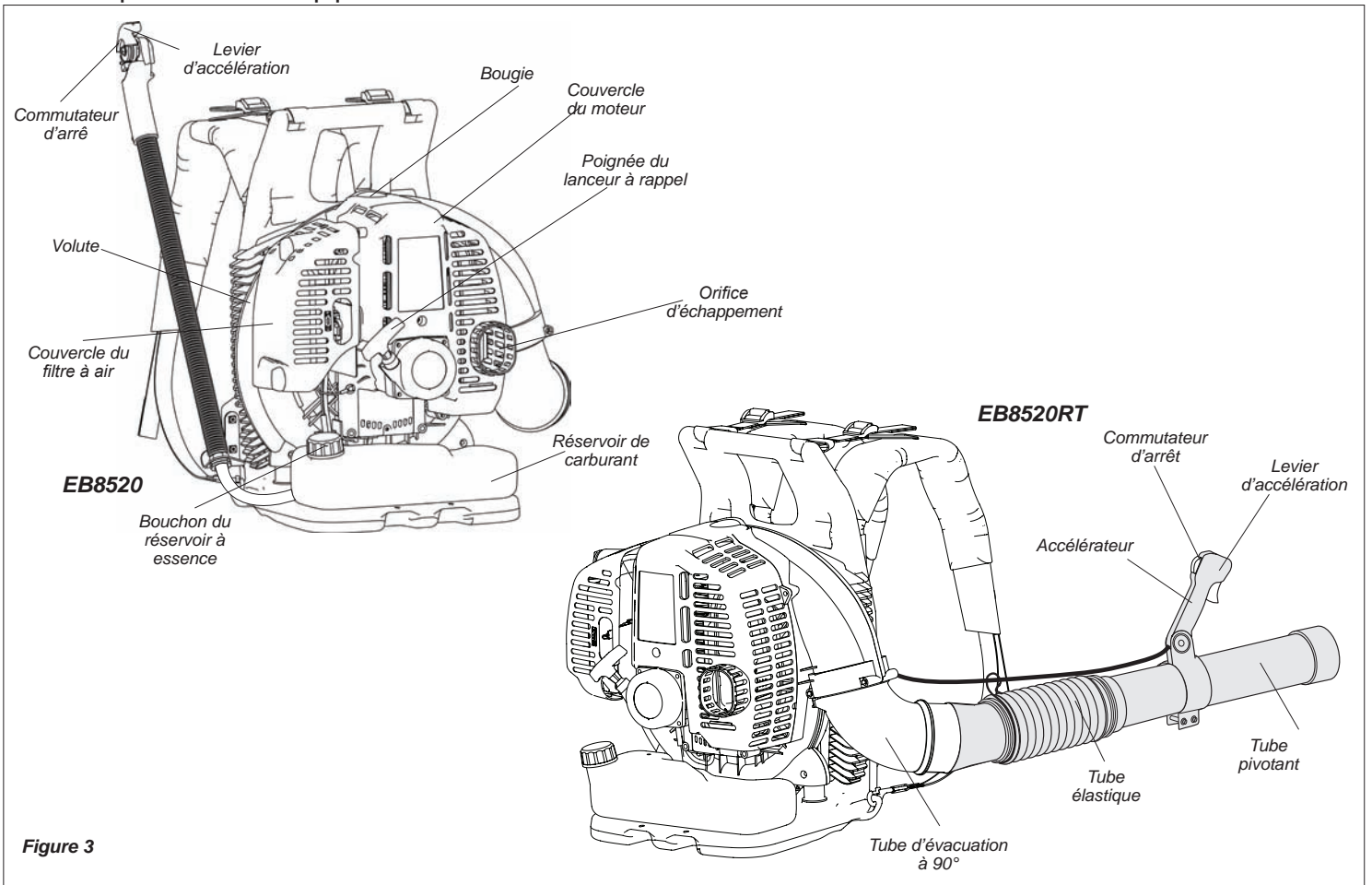


Figure 3

Caractéristiques techniques

Modèle	EB8520	EB8520RT
Poids net (sans tubes de soufflage)	11.6 kg/25.57 lbs	11.5 kg/25.35 lbs
Dimensions (L x W x H)	350 x 465 x 545 mm	
Type de moteur.	4-temps, refroidissement à air, moteur à essence, cylindre vertical	
Alésage et course	51 x 39 mm (2.01 x 1.54 inches)	
Cylindrée	79.7cc (4.86 cu. inches)	
Puissance max./min ⁻¹	3.21 kW/4.3 hp @ 7,500 min ⁻¹	
Rapport essence/huile	50:1 avec de l'huile Shindaiwa de première qualité pour moteur à deux temps	
Carburateur	Walbro, type rotatif avec pompe d'amorçage	
Allumage	CDI (Allumage électronique transistorisé)	
Bougie	NGK CMR5H	
Démarrage	Lanceur à rappel	
Arrêt	Commutateur à pression (mise à la masse)	Commutateur à glissoire (mise à la masse)
Contenance du réservoir à essence	2.0 liters (67.6 oz)	
Échappement	Silencieux avec pare-étincelles	
Filtre à air	Élément sec avec pré-filtre	

Les caractéristiques techniques sont sujettes aux changements sans préavis.

Assemblage

Avant l'assemblage

Utiliser Figure 3 pour se familiariser avec le souffleur et ses composantes. Comprendre l'appareil permet d'obtenir une performance optimale, de prolonger sa vie utile et favorise une utilisation plus sécuritaire.

Avant l'assemblage du souffleur, s'assurer que toutes les composantes requises sont présentes. S'assurer qu'aucune composante n'est endommagée.

Assemblage du souffleur

IMPORTANT !

Cet appareil est équipé d'un fil de limitation des décharges d'électricité statique. Ce fil permet de canaliser les accumulations d'électricité statique dans le souffle d'air, limitant ainsi la quantité d'électricité statique perçue par l'utilisateur.

1. Déposer le souffleur verticalement sur le sol ou un plan de travail solide et noter l'orientation des pièces conformément à Figure 4.
2. Retirer le fil antistatique de l'emballage et fixer le passe-câble sur la vis du couvercle de moteur droit. Voir Figure 5.
3. Faire pivoter le tube d'évacuation de l'air jusqu'à ce qu'il se trouve à angle droit, et passer le fil antistatique sous le collier de serrage 102 mm et le tube élastique.
4. Glisser le tube élastique sur l'extrémité du tube d'évacuation à 90°, puis le fixer avec le collier de serrage 102 mm.

REMARQUE :

S'assurer que le tube d'évacuation à 90° pivote librement. En cas de coincement, desserrer le collier de serrage 102 mm et tirer le fil vers le moteur afin d'obtenir davantage de mou, puis s'assurer à nouveau que le tube d'évacuation pivote librement.

5. Passer le fil antistatique dans le tube pivotant, puis installer et serrer le collier de serrage 89 mm sur la bande pivotante du tube pivotant.
6. Glisser la poignée sur le tube pivotant et la fixer à l'aide du boulon et de l'écrou à oreilles fournis.
7. Replier l'extrémité du fil antistatique sur le raccord du tube pivotant. Voir Figure 5.
8. Saisir le bec et emboîter le bec au verrou bloquant du tube pivotant, en s'assurant que le fil statique est sécurisé. Voir Figure 6.
9. Verrouiller le bec au tube pivotant en tournant le bec pour s'assurer d'un bon alignement. Voir Figure 6.

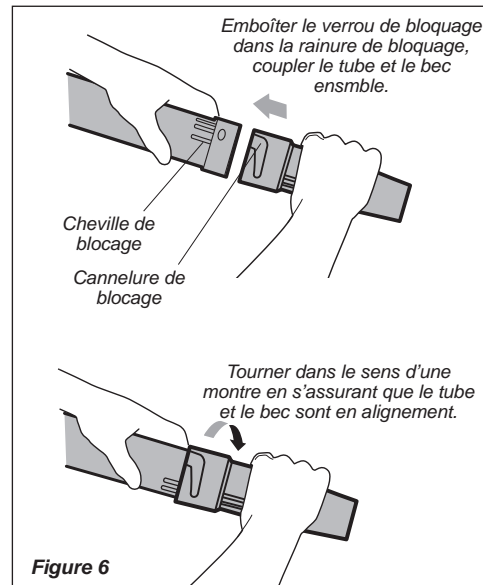
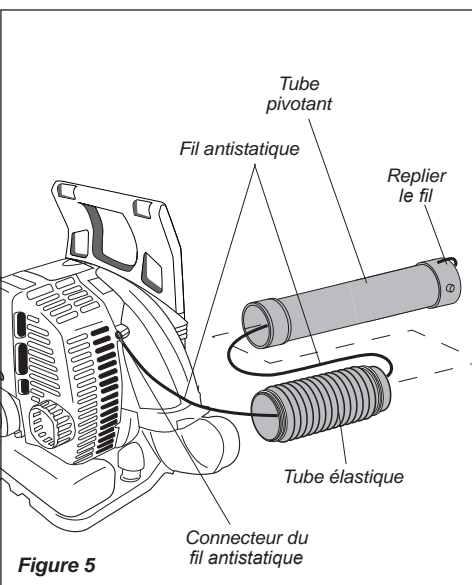
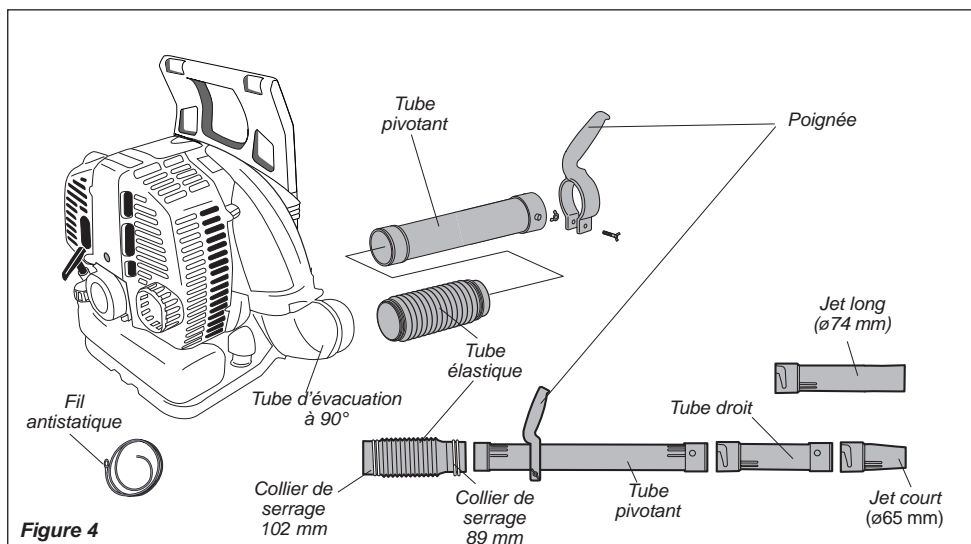
- Assemblage bloc moteur et souffleur.
- Tube flexible, tube pivotant, deux jets, et tube droit.
- Poignée (Non RT uniquement).
- Deux colliers de serrage de tubes (102 mm et 89 mm).
- Le présent manuel d'utilisation ainsi qu'une trousse contenant des outils, une clé hexagonale de 4 mm et une clé mixte à bougie.

- Assemblage des fils de connexion (antistatique).

S'assurer qu'aucune composante n'est endommagée.

IMPORTANT !

Les termes « gauche », « à gauche » et « vers la gauche » ; « droite », « à droite » et « vers la droite » ; « avant » et « arrière » font référence à la direction telle que vue par l'opérateur lors d'une utilisation normale.



IMPORTANT !

L'installation des tubes de soufflage affecte la performance du souffleur ! S'assurer que les tubes et la buse sont correctement assemblés conformément aux instructions ci-dessus et que tous les raccords ont été bien serrés. Les tubes de soufflage peuvent se séparer en cours d'utilisation si les tubes ne sont pas alignés et verrouillés en place.



AVERTISSEMENT !

Danger : roue en rotation!

Toujours arrêter le moteur avant le montage ou le démontage des tubes de soufflage ! Ne jamais réaliser de procédure de maintenance ou d'assemblage sur l'appareil lorsque le moteur est en marche !

Assemblage (suite)

Assemblage du souffleur RT

IMPORTANT !

Cet appareil est équipé d'un fil de limitation des décharges d'électricité statique. Ce fil permet de canaliser les accumulations d'électricité statique dans le souffle d'air, limitant ainsi la quantité d'électricité statique perçue par l'utilisateur.

1. Déposer le souffleur verticalement sur le sol ou un plan de travail solide et noter l'orientation des pièces conformément à Figure 7.
2. Retirer le fil antistatique de l'emballage et fixer le passe-câble sur la vis du couvercle de moteur droit. Voir Figure 8.
3. Faire pivoter le tube d'évacuation de l'air jusqu'à ce qu'il se trouve à angle droit et passer le fil antistatique sous le collier de serrage 102 mm et le tube élastique.
4. Installer étrangler le porte-câble juste avant du 102 mm le serre-joint, pinçant des boucles ensemble pour ajuste par-dessus la fin de tube flexible. Voir des Figures 10A et 10B.
5. Glisser le tube élastique sur l'extrémité du tube d'évacuation à 90°, puis le fixer avec le collier de serrage 102 mm.

REMARQUE :

S'assurer que le tube d'évacuation à 90° pivote librement. En cas de coincement, desserrer le collier de serrage 102 mm et tirer le fil vers le moteur afin d'obtenir davantage de mou, puis s'assurer à nouveau que le tube d'évacuation pivote librement.

6. Faire glisser l'accélérateur le long du tube pivotant. Ne pas serrer le collier de serrage à ce stade.
7. Passer le fil antistatique dans le tube pivotant, puis installer et serrer le collier de serrage 89 mm sur la bande pivotante du tube pivotant.
8. Replier l'extrémité du fil antistatique sur le raccord du tube pivotant. Voir Figure 8.
9. Saisir le bec et emboîter le bec au verrou bloquant du tube pivotant, en s'assurant que le fil static est sécurisé. Voir Figure 9.
10. Verrouiller le bec au tube pivotant en tournant le bec pour s'assurer d'un bon alignement. Voir Figure 9.
11. Placer l'accélérateur dans la position la plus confortable pour l'utilisateur, et serrer les deux vis hexagonales.

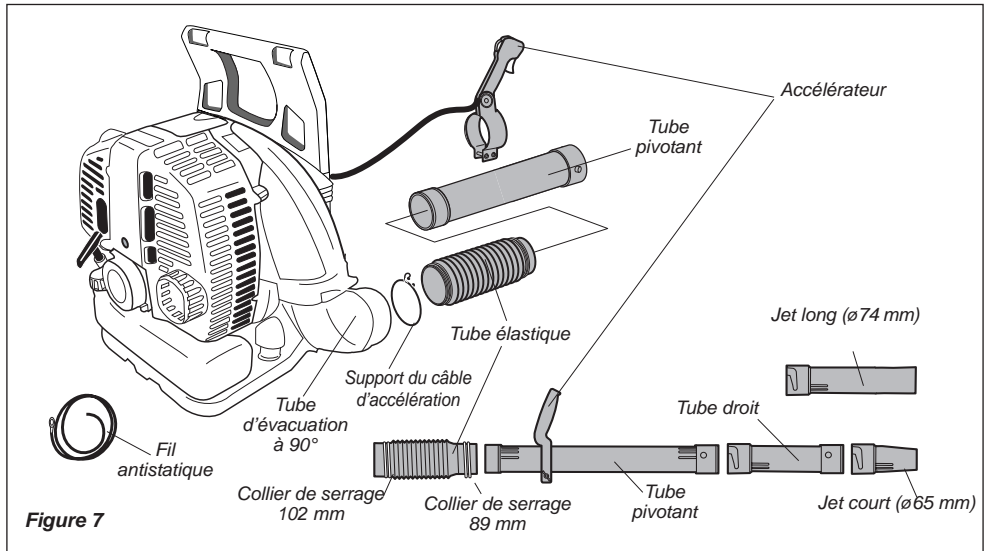


Figure 7

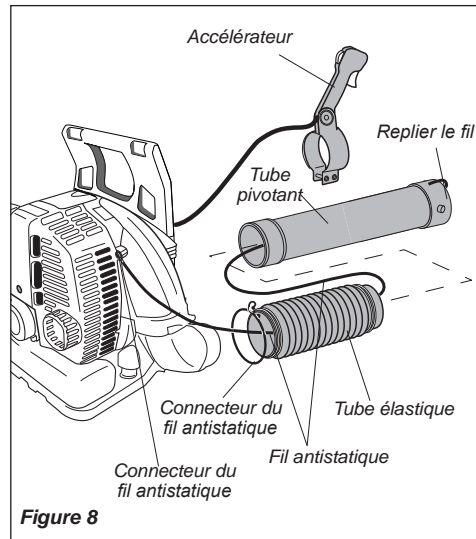


Figure 8

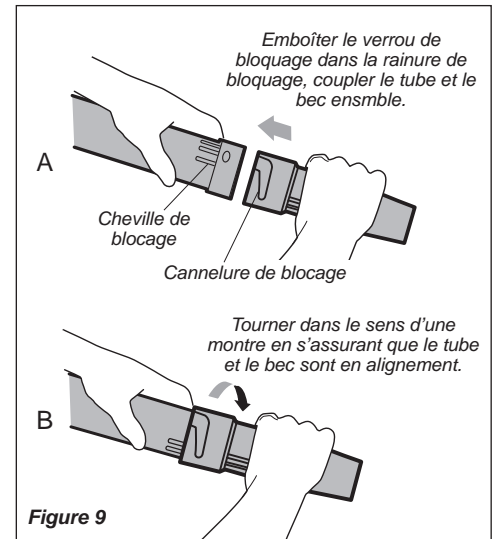


Figure 9

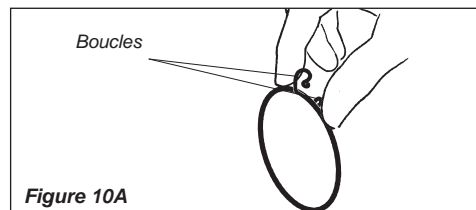


Figure 10A

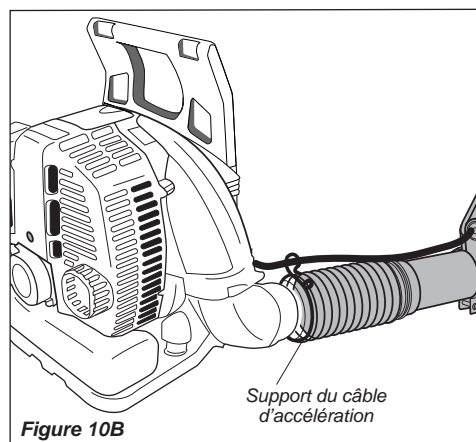


Figure 10B

IMPORTANT !

L'installation des tubes de soufflage affecte la performance du souffleur ! S'assurer que les tubes et la buse sont correctement assemblés conformément aux instructions ci-dessus et que tous les raccords ont été bien serrés. Les tubes de soufflage peuvent se séparer en cours d'utilisation si les tubes ne sont pas alignés et verrouillés en place.



AVERTISSEMENT !
Danger : roue en rotation !

Toujours arrêter le moteur avant le montage ou le démontage des tubes de soufflage ! Ne jamais réaliser de procédure de maintenance ou d'assemblage sur l'appareil lorsque le moteur est en marche !

Votre souffleur devrait maintenant être prêt à utiliser.

Mélange de carburant

MISE EN GARDE !

- Ne jamais utiliser un carburant contenant plus de 10 % d'alcool par volume. Certains carburants contiennent de l'alcool comme oxygénant. Le carburant oxygéné peut causer l'augmentation des températures de fonctionnement. Dans certaines situations, le carburant à base d'alcool peut également faire diminuer les propriétés lubrifiantes de certains mélanges d'huile pour moteur à deux temps.
- Les huiles génériques et certaines huiles pour moteurs hors-bord risquent de ne pas convenir à l'utilisation avec les moteurs C4 à haut rendement. Ne jamais les utiliser avec les outils Shindaiwa.

MISE EN GARDE !

Ce moteur est conçu pour fonctionner avec un mélange d'essence sans plomb et d'huile de catégorie ISO-L-EGD ou JASO FC pour moteur à deux temps seulement, dans une proportion de 50:1. L'utilisation de mélanges d'huile non autorisés risque d'entraîner une accumulation excessive de dépôt de calamine.

- Utiliser uniquement de l'essence sans plomb propre dont l'indice d'octane est égal ou supérieur à 87.
- Mélanger l'essence avec une huile pour moteurs à deux temps dont les caractéristiques sont conformes ou supérieures aux exigences des normes ISO-L-EGD et/ou JASO FC selon un rapport de 50:1.

Exemples de quantités de mélange de carburant à 50:1

Essence litres	Huile moteur à deux temps millilitres
2,5 - 1	50 ml
5 - 1	100 ml
10 - 1	200 ml
20 - 1	400 ml

IMPORTANT !

Uniquement préparer la quantité dont vous avez besoin dans l'immédiat ! Si le carburant doit être remis plus de 30 jours et que l'huile **ONE** avec stabilisateur n'est pas utilisée, il est préférable de la stabiliser à l'aide d'un produit adapté.

L'huile **ONE** est une huile conforme à la norme JASO FC, et satisfait également aux exigences de la norme ISO-L-EGD relative aux performances. L'huile Shindaiwa One est préconisée pour tous les moteurs à émissions réduites de Shindaiwa, et contient également un stabilisateur.

Remplissage du réservoir à carburant



AVERTISSEMENT ! Réduire les risques d'incendie !

- **NE JAMAIS** fumer ou allumer de feu à proximité du moteur.
- **TOUJOURS** arrêter le moteur et le laisser refroidir avant de faire le plein.
- **TOUJOURS** nettoyer tout déversement de carburant et déplacer le moteur à au moins 3 mètres du lieu et de la source de remplissage avant de démarrer !
- **NE JAMAIS** placer de matière inflammable à proximité du silencieux du moteur.
- **NE JAMAIS** utiliser le moteur sans silencieux ou sans pare-étincelles, et sans que ceux-ci ne fonctionnent correctement.
- **LE CARBURANT EST FORTEMENT INFLAMMABLE.**
- Gardez **TOUJOURS** l'essence dans un conteneur approuvé.
- **TOUJOURS** vérifier qu'il n'y a pas de fuites de carburant avant chaque usage. À chaque remplissage, s'assurer que le carburant ne s'écoule pas du bouchon et/ou du réservoir de carburant. En cas de fuite apparente, cesser immédiatement d'utiliser l'appareil. Réparer toute fuite de carburant avant d'utiliser l'appareil.
- **TOUJOURS** déplacer l'appareil à 3 mètres au moins de l'aire de remplissage ou d'autres substances inflammables avant de démarrer le moteur.

1. Placer l'appareil sur une surface plane et stable.
2. Enlever tout débris ou toute saleté du bouchon du réservoir de carburant.
3. Enlever le bouchon du réservoir et verser du carburant propre dans le réservoir.
4. Remettre le bouchon sur le réservoir de carburant et serrer fermement.
5. Nettoyer tout déversement d'essence avant de démarrer le moteur.

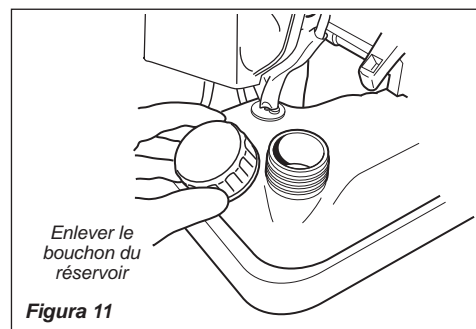


Figura 11

Démarrage du moteur



AVERTISSEMENT !

Danger : roue en rotation!

La roue se met en rotation dès que le souffleur est mis en marche ! Ne jamais utiliser le souffleur si le couvercle de l'entrée d'air et les tubes de soufflage n'ont pas été correctement installés et ne se trouvent pas en bon état de fonctionnement



AVERTISSEMENT !

Danger : projection de poussière et de débris!

- **TOUJOURS** porter des lunettes de sécurité pendant l'utilisation de l'appareil ! Ne jamais diriger le souffle d'air du souffleur vers une personne ou un animal !
- **NE JAMAIS** utiliser le souffleur si toutes les commandes ne sont pas correctement installées et en bon état de fonctionnement.

MISE EN GARDE !

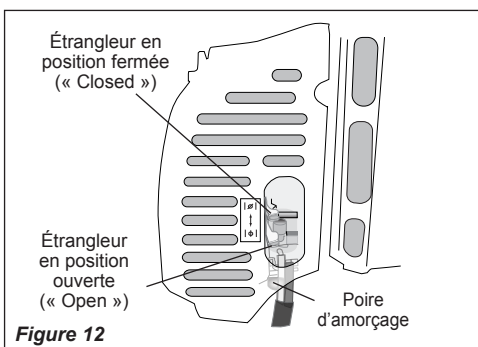
- L'utilisation excessive peut facilement endommager le lanceur à rappel.
- Ne jamais tirer la corde de démarrage à rappel jusqu'au bout !
- Toujours engager le démarreur avant de démarrer le moteur !
- Toujours rembobiner la corde de démarrage lentement !
- Ne jamais utiliser le souffleur si des tubes de soufflage sont manquants ou endommagés !

Procédure de démarrage

1. Déposer le souffleur sur le sol.
2. Amorcer le système d'alimentation en appuyant plusieurs fois sur la poire d'amorçage jusqu'à ce qu'aucune bulle d'air ne soit visible dans le tuyau d'essence.

IMPORTANT !

Le système d'amorçage ne fait qu'injecter de l'essence dans le carburateur. La pression répétitive de la pompe d'amorçage ne noiera pas le moteur d'essence.



3. **Moteur froid seulement.** Étrangler le moteur en relevant le levier de l'étrangleur (l'étrangleur est fermé). Voir l'illustration 12.

Lorsque le moteur démarre

- Ouvrir l'étrangleur en déplaçant le levier de l'étrangleur vers le bas (s'il n'est pas déjà ouvert).
- Si le moteur cesse de tourner, répéter la procédure du démarrage pour un moteur chaud ou froid, selon le cas.
- Utiliser l'accélérateur pour maintenir le moteur au ralenti jusqu'à ce que sa température de fonctionnement soit atteinte (2 à 3 minutes).

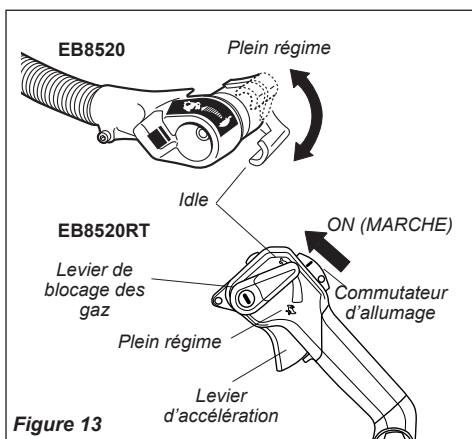


Figure 13

4. Placer le levier d'accélération à mi-course.
Modèle RT : Glisser le commutateur d'allumage sur la position « I » (MARCHE), puis enfoncer le levier d'accélération à mi-course et bloquer l'accélérateur en abaissant le levier de blocage des gaz à mi-course. Voir l'illustration 13.
5. Tenir fermement le souffleur en appuyant avec la main gauche sur la volute.
6. Avec la main droite, tirer lentement sur la corde de démarrage jusqu'à sentir le démarreur s'engager. Voir l'illustration 14.

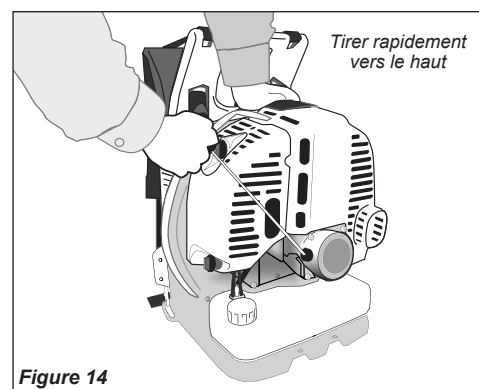


Figure 14

7. Lorsque le démarreur s'engage, tirer rapidement la corde de démarrage vers le haut.
8. Si nécessaire, répéter les étapes 6 et 7 jusqu'à ce que le moteur démarre.



AVERTISSEMENT !

Ne jamais utiliser le souffleur si toutes les commandes ne sont pas correctement installées et en bon état de fonctionnement. Ne jamais utiliser le souffleur si le couvercle du cylindre est manquant ou endommagé !

Démarrage du moteur (suite)

Si le moteur ne démarre pas

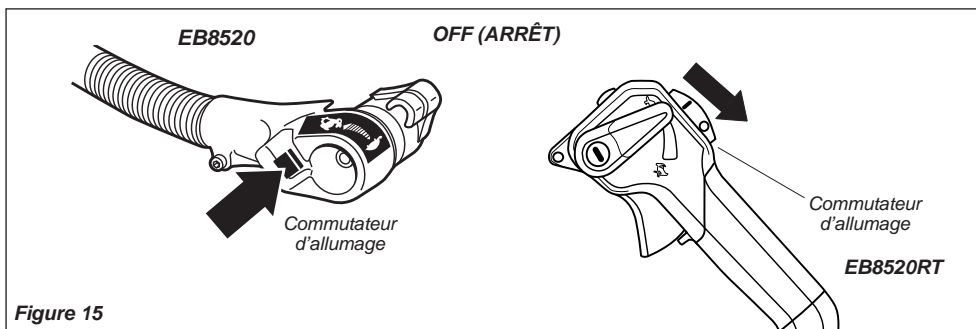
Répéter la procédure de démarrage appropriée pour un moteur chaud ou froid. Si le moteur ne démarre toujours pas, suivre la procédure « Démarrage d'un moteur noyé ».

Démarrage d'un moteur noyé

1. Débrancher le fil de la bougie, puis retirer la bougie (voir la « Réglage du régime de ralenti du moteur »)
2. Si la bougie est encrassée ou imbibée d'essence, la nettoyer ou la remplacer si nécessaire.
3. Enlever la bougie, ouvrir l'étrangleur, placer le levier d'accélération en position de plein régime, puis lancer le moteur à plusieurs reprises pour évacuer l'excédant d'essence de la chambre de combustion.
4. Installer et serrer la bougie, puis reconnecter le fil de la bougie.
5. Répéter la procédure de démarrage pour un moteur chaud.
6. Si le moteur refuse de démarrer, consulter le guide de dépannage à la fin du présent manuel.

Arrêt du moteur

1. Après une séance de travail, laisser tourner le moteur au ralenti deux ou trois minutes afin qu'il retrouve une température normale.
2. Appuyer sur le bouton d'arrêt et le maintenir enfoncé jusqu'à l'arrêt du moteur. Faire glisser le commutateur d'allumage vers l'arrière, sur la position « O » (ARRÊT). Voir figure 15.



Réglage du régime de ralenti du moteur

IMPORTANT !

Le rendement et la durée du moteur de votre souffleur dépendent d'une bonne circulation d'air non vicié ! Avant de réaliser un réglage du carburateur, inspecter et nettoyer le filtre à air du moteur. Voir la section « Entretien » du présent manuel.

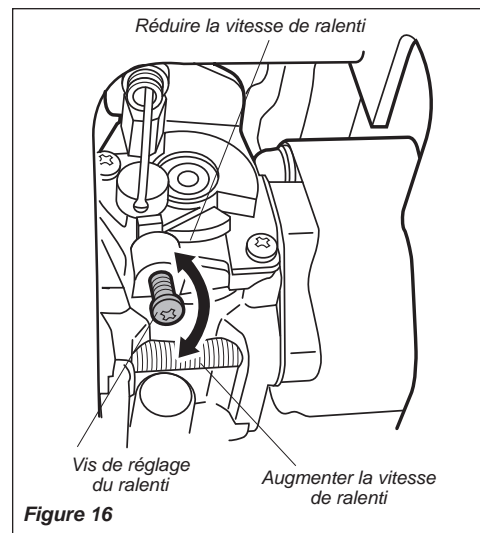
IMPORTANT !

Les tubes de soufflage et le filtre à air doivent être en place pendant la procédure de réglage de la vitesse de ralenti du moteur ! La vitesse de ralenti du moteur sera également affectée si les tubes de soufflage sont obstrués ou incorrectement installés !

1. Déposer l'appareil sur le sol et démarrer le moteur, puis le laisser tourner à bas régime pendant 2 à 3 minutes jusqu'à ce qu'il soit chaud.
2. Si vous avez un tachymètre, la vitesse de ralenti du moteur doit être réglée à 2 000 (+/- 200) min⁻¹. Voir l'illustration 16.

REMARQUE :

Les réglages du mélange d'essence du carburateur sont réalisés en usine à l'aide de dispositifs antipollution et ne peuvent être modifiés sur le terrain.



Limiteur de régime moteur (RT)

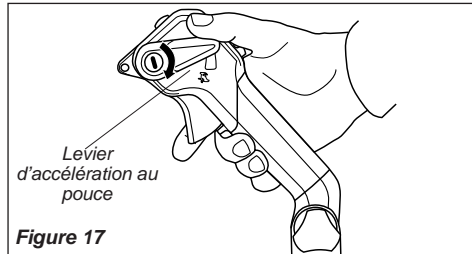
Le modèle souffleur est équipé d'un levier d'accélération multifonctions. La fonction de régulation « Cruise » permet à l'utilisateur de régler le régime moteur à l'aide d'un levier d'accélération commandé au pouce et ainsi d'utiliser le souffleur à

un régime moteur constant, sans avoir à appuyer sur la gâchette d'accélération. Cette caractéristique permet de limiter la fatigue liée à la préhension de la gâchette d'accélération pendant une période prolongée.

De l'autre côté, une commande de « limiteur » à deux positions permet à l'utilisateur de choisir le régime moteur maximal (réglage « Turbo ») ou de limiter le régime moteur à une vitesse prédéfinie afin de limiter le niveau sonore de l'appareil (réglage « dB »).

Fonction de régulation (« Cruise »)

Avec le pouce droit, abaisser le levier de blocage des gaz jusqu'à atteindre le régime moteur souhaité. Voir Figure 17.



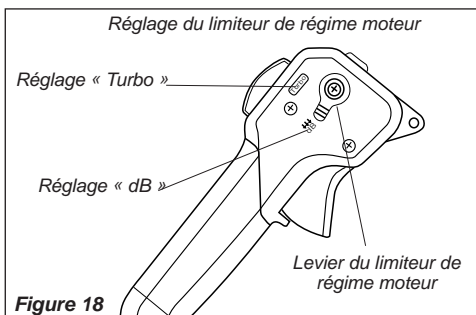
Pour réduire le régime moteur à la vitesse de ralenti, relever le levier dans sa position initiale.

Réglage du limiteur de régime moteur :

Le souffleur est doté d'un limiteur de l'accélérateur permettant à l'utilisateur de prédéfinir la puissance maximale du plein régime. Cette fonction permet de réduire le bruit du souffleur dans les zones où le niveau de puissance acoustique autorisé est limité.

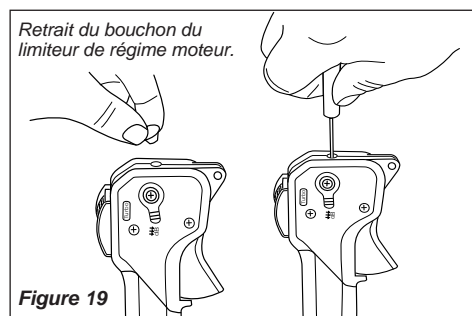
Réglage du limiteur de régime moteur :

Pour limiter le niveau sonore du souffleur, placer le limiteur de régime moteur situé sur le côté droit de la commande d'accélération sur le réglage « dB ». Voir Figure 18.



Réglage du limiteur de régime moteur :

1. Retirer le bouchon situé au sommet de l'accélérateur. Voir l'illustration 19.
2. Placer le limiteur de régime moteur sur le réglage « dB ». Voir l'illustration 19.
3. Pendant que le moteur tourne et en appuyant sur la gâchette d'accélération, utiliser un petit tournevis cruciforme pour tourner la vis de réglage ; tourner la vis dans le sens horaire pour réduire le régime moteur et dans le sens anti-horaire pour augmenter le régime moteur, jusqu'à ce que le régime moteur requis soit atteint.
4. Réinstaller le bouchon du limiteur de régime moteur.



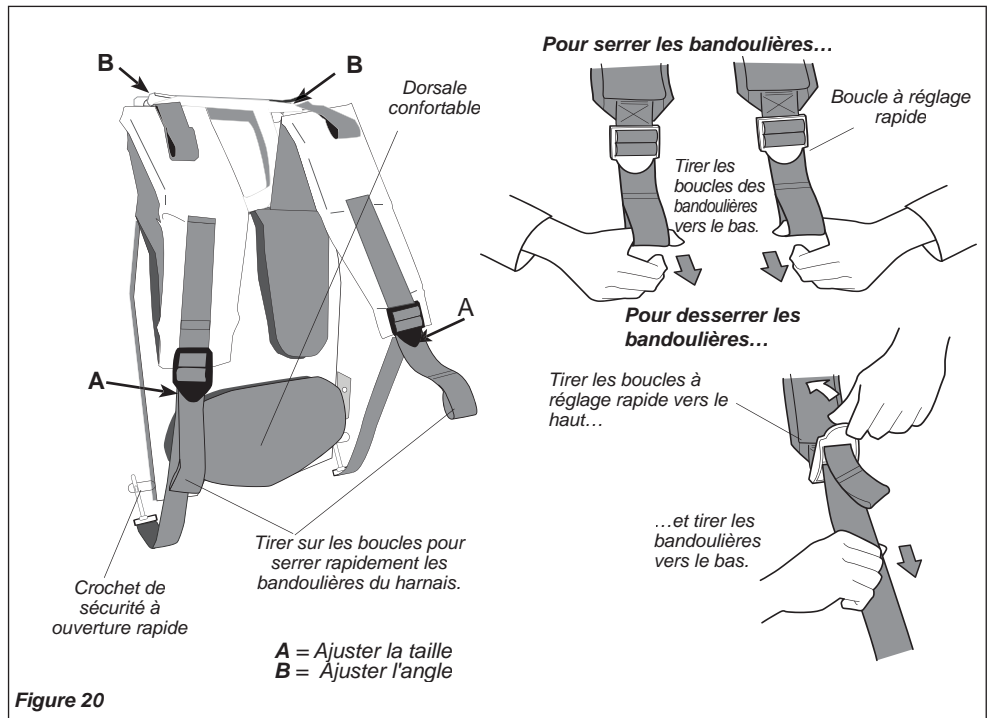
REMARQUE :

Lorsque le limiteur de régime moteur est réglé sur 3 850 tr/min, le niveau sonore produit par le modèle souffleur à 15 m (50 pieds) s'élève à 65 dB(A).

Mise en place du harnais

Le souffleur Shindaiwa dispose d'un système de harnais évolué garantissant à l'opérateur un confort et une simplicité d'utilisation idéaux. Voir l'illustration 20.

- Le harnais à bandoulière dispose d'un rembourrage tendre contribuant à réduire la fatigue de l'utilisateur.
- Le système de réglage évolué permet d'adapter aisément le harnais à toutes les morphologies.



Utilisation du souffleur

Conseils d'utilisation

Confié à un utilisateur expérimenté, le souffleur permet de déplacer efficacement différents débris allant des tontes de gazon aux graviers. En règle générale, utiliser le souffleur au régime moteur minimal requis pour accomplir le travail en cours.

- Utiliser un régime moteur réduit pour éliminer les matériaux légers accumulés sur des pelouses ou dans des buissons.
- Utiliser un régime moteur moyen, voire élevé pour éliminer les accumulations d'herbe ou de feuilles sur les aires de stationnement ou les trottoirs.

- Utiliser le régime moteur maximal pour éliminer des charges lourdes, telles la boue ou la neige.

IMPORTANT !

Le niveau sonore du souffleur augmente aux régimes moteurs supérieurs! Toujours utiliser le régime moteur minimal requis pour accomplir le travail en cours !

Capteur thermique

Ce moteur est équipé d'un capteur thermique afin d'éviter la surchauffe du moteur. Si une surchauffe du moteur survient, le régime moteur diminue et atteint 5 000 min⁻¹ (tr/min).

Si le régime moteur ne dépasse pas 5 000 min⁻¹, laisser refroidir le moteur comme suit :

- Arrêter le moteur.
- Enlever toute accumulation de feuilles et de débris obstruant le couvercle d'admission.
- Laisser tourner le moteur au ralenti pendant 1 minute.

MISE EN GARDE !

Si le régime moteur diminue de nouveau automatiquement après refroidissement du moteur, consulter un revendeur Shindaiwa agréé.

Entretien

L'ENTRETIEN, LE REMPLACEMENT OU LA RÉPARATION D'UN DISPOSITIF DE CONTRÔLE DES ÉCHAPPEMENTS ET DES SYSTÈMES PEUT ÊTRE EFFECTUÉ PAR TOUT ÉTABLISSEMENT DE RÉPARATION OU INDIVIDU. CEPENDANT, LES RÉPARATIONS COUVERTES PAR LA GARANTIE DOIVENT ÊTRE EFFECTUÉES PAR UN DÉTAILLANT OU UN CENTRE DE SERVICES AUTORISÉ DE SHINDAIWA CORPORATION. L'UTILISATION DE PIÈCES DONT LE RENDEMENT ET LA DURABILITÉ NE SONT PAS ÉQUIVALENTS AUX PIÈCES UTILISÉES PEUT COMPROMETTRE L'EFFICACITÉ DU SYSTÈME ANTIPOLLUTION ET L'ACCEPTATION D'UNE DEMANDE DE RÉPARATION AU TITRE DE LA GARANTIE.



AVERTISSEMENT !

Avant de procéder à l'entretien, à la réparation ou au nettoyage de l'appareil, s'assurer que le moteur est arrêté. Débrancher le fil de la bougie avant tout travail d'entretien ou de réparation.



AVERTISSEMENT !

Les pièces non approuvées risquent de ne pas fonctionner correctement et de causer des dommages ou des blessures.

REMARQUE :

L'utilisation de pièces de remplacement autres que celles approuvées peut invalider la garantie Shindaiwa.

Entretien quotidien



AVERTISSEMENT !

Pour réduire les risques d'incendie, enlever régulièrement la poussière, les débris végétaux et les feuilles qui se sont déposés sur le moteur et le silencieux.

Suivre la procédure suivante au début de chaque journée de travail :

1. Éliminer toute accumulation de poussière ou de débris sur l'extérieur ou dans le moteur du souffleur. Vérifier les ailettes de refroidissement du moteur et le filtre à air et les nettoyer au besoin.

MISE EN GARDE !

Le moteur est refroidi par air ; celui-ci est aspiré au travers du couvercle de l'entrée d'air situé sur le boîtier du souffleur. Le ventilateur du souffleur pousse ensuite l'air de refroidissement au travers d'une ouverture dans le boîtier du ventilateur, et le force au contact des ailettes du cylindre. L'accumulation de débris à l'intérieur du système de refroidissement et dans ses canaux peut provoquer une surchauffe du moteur - l'une des principales causes d'incidents moteur graves, pouvant entraîner une défaillance du moteur.

- Contrôler l'absence de toute fuite d'essence au niveau du moteur, du réservoir et des tuyaux et les réparer au besoin.
- Inspecter le souffleur dans sa totalité afin d'y repérer toute composante desserrée, endommagée ou manquante et réparer au besoin.
- Enlever toute accumulation de saleté ou de débris du silencieux et du réservoir à essence. Les accumulations de saleté sur ces pièces peuvent causer la surchauffe du moteur, un incendie ou l'usure précoce de l'appareil.

Après 10 heures

(more frequently in dusty conditions)

1. Retirer le couvercle du filtre à air en desserrant les vis à ailettes situées au bas du couvercle et en soulevant celui-ci. Voir l'illustration 21.
2. Enlever et inspecter le pré-filtre. Si le pré-filtre est déchiré ou endommagé de quelque manière que ce soit, le remplacer par un nouveau pré-filtre.
3. Nettoyer le pré-filtre avec de l'eau savonneuse. Laisser sécher avant de réinstaller.

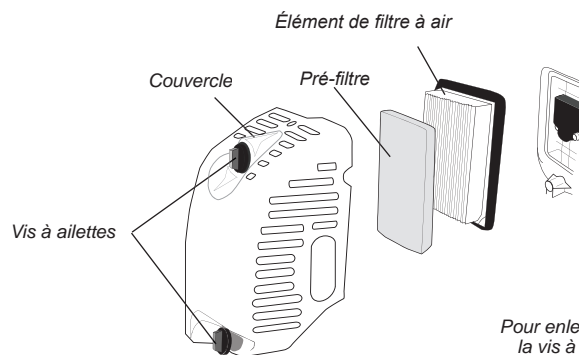


Figure 21

Pour enlever le couvercle, desserrer la vis à ailettes située au bas du couvercle et soulever celui-ci.

IMPORTANT !

Le modèle souffleur utilise un filtre à air sec à capacité élevée. Le filtre ne doit pas être nettoyé avec un produit nettoyant liquide et ne doit JAMAIS être lubrifié !

4. Contrôler l'élément du filtre à air. En cas d'usure excessive de cet élément, le remplacer.

IMPORTANT !

Diriger le souffle d'air sous pression uniquement vers la face intérieure du filtre !

5. Taper doucement le filtre à air sur une surface dure afin d'en déloger les débris, ou souffler la face intérieure du filtre avec de l'air sous pression afin d'éliminer les débris accumulés sur la face extérieure de celui-ci.

6. Installer le filtre à air, le pré-filtre et le couvercle dans l'ordre inverse du démontage.

MISE EN GARDE !

Ne jamais utiliser le souffleur si le filtre à air est manquant ou endommagé !

Entretien

Après 10 à 15 heures

MISE EN GARDE !

Éviter de laisser de la poussière ou d'autres débris pénétrer dans le cylindre ! Avant d'enlever la bougie, bien nettoyer la bougie et la tête du cylindre!

Laisser refroidir le moteur avant toute opération d'entretien sur la bougie! Serrer ou desserrer la bougie lorsque le moteur est chaud peut endommager le filetage du cylindre!

1. Utiliser la clé à bougie pour enlever la bougie. Voir l'illustration 22.
2. Nettoyer l'électrode de la bougie et régler l'écartement à 0,6 mm (0,024 po). S'il est nécessaire de changer la bougie, utiliser seulement une bougie NGK CMR5H ou une bougie de type équivalent, adaptée à la plage de températures du moteur.
3. Réinstaller la bougie dans la tête de cylindre en la serrant à la main, puis la serrer fermement à l'aide de la clé à bougie. Si vous disposez d'une clé dynamométrique, serrer la bougie à 170-190 kg/cm (148-165 lb/po).

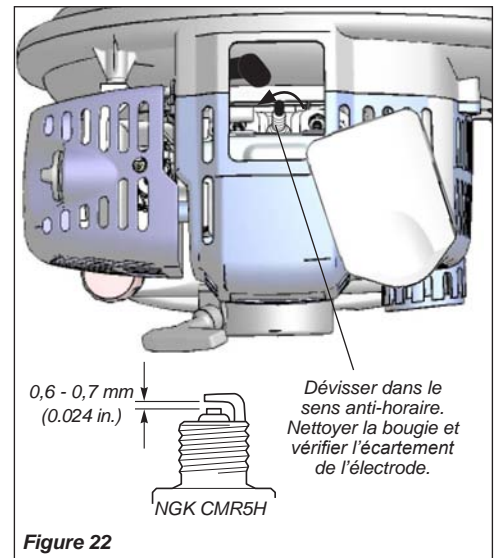


Figure 22

Après 50 heures

Plus fréquemment en cas de baisse de la performance)

- **INSPECTION** Inspecter le souffleur et les tubes dans leur totalité afin d'y repérer tout dommage ou composant desserré, endommagé ou manquant, et réparer au besoin.
- **BOUGIE** Remplacer la bougie par une Champion RCJ6Y (ou équivalent) en gardant un écartement de 0,6 mm.
- **FILTRE À ESSENCE** Utiliser un fil croché pour extraire le filtre à essence du réservoir à essence. Voir l'illustration 23.

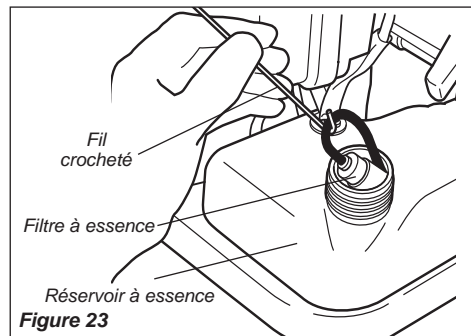


Figure 23

MISE EN GARDE !

Veiller à ne pas percer le tuyau d'essence avec l'extrémité du fil croché. Le tuyau est délicat et peut facilement être endommagé.

- Inspecter le filtre à essence afin d'y déceler toute trace de contamination provenant de débris. Un filtre à essence contaminé doit être remplacé par un filtre de rechange Shindaiwa neuf. Avant de réinstaller le filtre, inspecter le tuyau d'alimentation d'essence. S'il est endommagé ou détérioré, ne pas utiliser le souffleur tant qu'il n'a pas été inspecté par un technicien autorisé Shindaiwa.
- **SYSTÈME DE REFROIDISSEMENT** Utiliser un raclor de plastique ou de bois et une brosse souple pour éliminer la poussière et les débris des ailettes du cylindre et du vilebrequin.

139/150 heures

L'entretien après les premières 139 heures, ensuite chaque 150 heures par la suite.

- Il faut que la chambre de combustion soit décalaminé et que le débattement de la valve soit ajusté. Il est extrêmement recommandé que ceci soit fait par un technicien d'entretien expert de Shindaiwa.

- **Remplacer la bougie annuellement:** Utiliser seulement NGK CMR5H ou la bougie de type de résistance équivalente de la gamme de chaleur correcte. Fixer la brèche d'électrode de bougie à 0.6 mm (0.024 po).

REMARQUE :

Le NGK CMR5H rencontre aussi les conditions de la conformité électromagnétique (EMC).

Entretien Pare-étincelles



AVERTISSEMENT !

Ne jamais faire fonctionner l'appareil sans silencieux ou sans pare-étincelles, ni quand ils sont endommagés ! Si les composantes du dispositif d'échappement sont endommagées ou absentes, il est dangereux d'utiliser l'appareil car il pourrait prendre feu ou causer la perte de l'ouïe.

Des dépôts de calamine logés dans le pare-étincelles risquent de rendre le démarrage difficile et de diminuer le rendement de l'appareil. Pour un fonctionnement optimal, nettoyer périodiquement le pare-étincelles de la façon suivante. Voir l'illustration 24.

1. Enlever le capot de moteur afin d'exposer le pot d'échappement, retirer le pare-étincelle du pot d'échappement, le pare-étincelle est servi d'un racloir en erti en place, et il y a 3 écrous à enlever.
2. Se servir d'un racloir, ou d'une brosse métallique pour enlever les dépôts de carbone sur le pare-étincelles, nettoyer aussi la base du pot d'échappement.

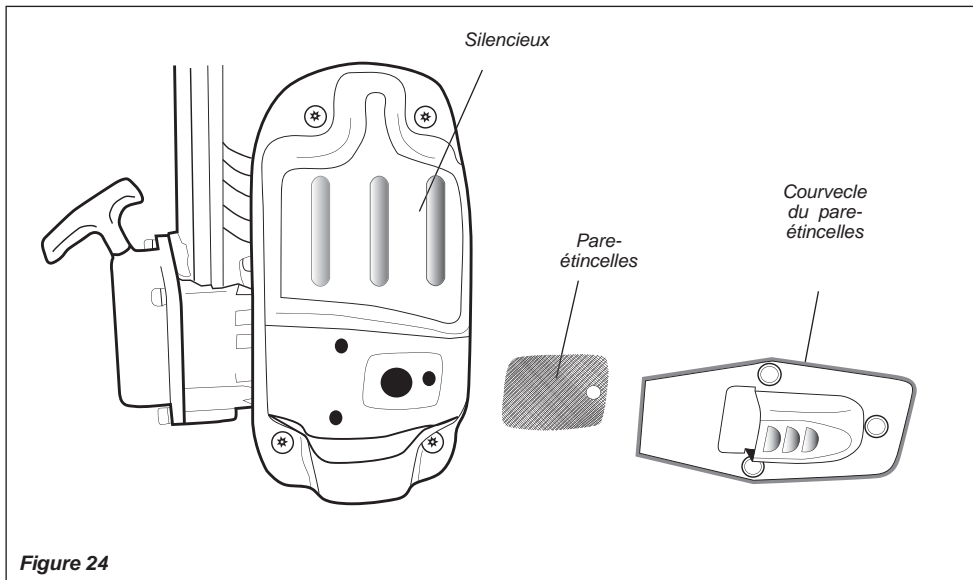


Figure 24

3. Bien inspecter le pare-étincelles et le remplacer s'il est perforé, déformé ou endommagé.
4. Replacer le pare-étincelle sur la base du pot d'échappement.

En cas d'accumulation de calamine dans le silencieux ou le cylindre, ou si aucune amélioration du fonctionnement n'est constatée après l'entretien, faire inspecter l'appareil par un détaillant autorisé Shindaiwa.

Remisage à long terme

Si l'appareil doit être remis plus de 30 jours suivre la procédure suivante pour le préparer au remisage :

- Nettoyer minutieusement les parties externes.

IMPORTANT !

Stabiliser l'essence remise à l'aide d'un stabilisateur comme STA-BIL™ à défaut d'utiliser l'huile Shindaiwa One qui contient un stabilisateur d'essence.

- Vidanger le réservoir à essence :

Purger l'excédent de carburant des conduits d'alimentation et du carburateur.

1. Presser sur la pompe d'amorçage jusqu'à ce qu'elle ne fasse plus circuler d'essence.
2. Démarrer et laisser fonctionner le moteur jusqu'à ce qu'il s'arrête de lui-même.
3. Répéter les étapes 1 et 2 jusqu'à ce que le moteur ne démarre plus.

MISE EN GARDE !

L'essence laissée dans le carburateur pendant une période prolongée peut nuire au démarrage et accroître les coûts de service et d'entretien.

- Enlever la bougie et verser environ 10 cm³ d'huile pour moteur à deux temps, dans le cylindre, par l'orifice de la bougie. Tirer doucement le lanceur à rappel à deux ou trois reprises pour que l'huile recouvre uniformément les parois intérieures du moteur. Réinstaller la bougie.
- Avant d'entreposer l'appareil, réparer ou remplacer toute pièce usée ou endommagée.
- Enlever l'élément du filtre à air de l'appareil et le nettoyer conformément aux instructions fournies à la section « Après 10 heures ».
- Remiser l'appareil dans un endroit propre et sans poussière.

Points à contrôler	Cause probable	Solution
<p>Le moteur démarre-t-il bien ?</p> <p>OUI ↓</p>	<p>NON → Lanceur à rappel défectueux. Liquide dans le carter de vilebrequin. Bris interne.</p>	<p>Consulter un représentant autorisé Shindaiwa.</p>
<p>Y a-t-il une bonne compression ?</p> <p>OUI ↓</p>	<p>NON → Bougie desserrée. Usure excessive du cylindre, du piston, des segments.</p>	<p>Serrer et révéfier. Consulter un représentant autorisé Shindaiwa.</p>
<p>Le réservoir contient-il de l'essence propre de grade approprié ?</p> <p>OUI ↓</p>	<p>NON → Essence souillée, éventée ou de mauvaise qualité ; mélange incorrect.</p>	<p>Remplir avec de l'essence sans plomb propre, dont l'indice d'octane à la pompe est égal ou supérieur à 87, mélangée avec de l'huile pour moteur à deux temps de première qualité Shindaiwa (ou une huile de première qualité équivalente) selon un rapport de 50 :1.</p>
<p>L'essence est-elle visible dans le tuyau de renvoi lors de l'amorçage ?</p> <p>OUI ↓</p>	<p>NON → Vérifier si le filtre à essence et/ou l'orifice d'aération sont encrassés. La pompe d'amorçage ne fonctionne pas correctement.</p>	<p>Remplacer le filtre à essence ou le reniflard au besoin. Redémarrer. Consulter un représentant autorisé Shindaiwa.</p>
<p>Y a-t-il une étincelle à la borne du fil de bougie ?</p> <p>OUI ↓</p>	<p>NON → Le commutateur se trouve sur la position « Arrêt » (« O »). Mauvaise mise à la masse. Transistor défectueux.</p>	<p>Placer le commutateur en position de marche (« I ») et redémarrer. Consulter un représentant autorisé Shindaiwa.</p>
<p>Vérifier la bougie.</p>	<p>Si la bougie est humide, il y a peut-être un excédent d'essence dans le cylindre. La bougie peut être encrassée ou mal ajustée. La bougie peut être brisée ou de catégorie inappropriée.</p>	<p>Lancer le moteur sans la bougie, remettre la bougie en place et redémarrer. Nettoyer et régler l'écartement de la bougie à 0,6mm - 0,7mm. Redémarrer. Remplacer la bougie. Consulter la section "Caractéristiques techniques" pour le type correct de bougie. Redémarrer.</p>

Points à contrôler	Cause probable	Solution
<div style="border: 1px solid black; padding: 5px; width: fit-content;"> Le moteur surchauffe-t-il ? </div>	Utilisation abusive de l'appareil.	Ralentir le régime de coupe.
	Le mélange du carburateur est trop pauvre.	Consulter un représentant autorisé.
	Rapport huile / essence inapproprié.	Remplir avec de l'essence sans plomb propre, dont l'indice d'octane à la pompe est égal ou supérieur à 87, mélangée avec de l'huile pour moteur à deux temps de première qualité Shindaiwa (ou une huile de première qualité équivalente) selon un rapport de 50 :1.
	Feuilles ou débris tombés sur la couverture de prise.	Nettoyer la couverture de prise
<div style="border: 1px solid black; padding: 5px; width: fit-content;"> Le moteur fonctionne de façon brusque à tous les régimes. Présence éventuelle de fumée d'échappement noire et / ou d'essence non brûlée à l'échappement. </div>	Ventilateur, boîtier de ventilation, ailettes du cylindre sales ou endommagés.	Nettoyer, réparer ou remplacer selon le cas.
	Dépôts de calamine dans la chambre de combustion.	Consulter un représentant autorisé Shindaiwa.
	Filtre à air obstrué.	Nettoyer ou remplacer le filtre à air.
	Bougie desserrée ou endommagée.	Resserrer ou remplacer la bougie. Consulter la section " <i>Caractéristiques techniques</i> " pour le type correct de bougie d'allumage.Redémarrer.
	Fuite d'air ou conduite d'essence obstruée.	Réparer ou remplacer le filtre et/ou la conduite d'essence.
<div style="border: 1px solid black; padding: 5px; width: fit-content;"> Le moteur cogne. </div>	Eau dans l'essence.	Remplir avec un mélange huile/essence récent.
	Grippage du piston.	Consulter un représentant autorisé Shindaiwa.
	Carburateur et / ou diaphragme défectueux.	Consulter un représentant autorisé Shindaiwa.
<div style="border: 1px solid black; padding: 5px; width: fit-content;"> Le régime moteur est bas. </div>	Surchauffe	Voir ci-dessus.
	Essence inappropriée.	Vérifier l'indice d'octane, vérifier si l'essence contient de l'alcool. Remplir selon le besoin.
	Dépôts de calamine dans la chambre de combustion.	Consulter un représentant autorisé Shindaiwa.
<div style="border: 1px solid black; padding: 5px; width: fit-content;"> Le régime moteur est bas. </div>	Le capteur thermique est activé, en raison d'un débit d'air limité le couvercle d'admission.	Arrêter le moteur. Nettoyer les débris obstruant le couvercle d'admission. Redémarrer. Laisser tourner au ralenti pendant plus d'1 minute. Si le régime moteur diminue de nouveau, consulter un représentant autorisé Shindaiwa.

Français

Faible accélération.

- | Filtre à air obstrué.
- | Filtre à essence obstrué.
- | Mélange essence/air pauvre.
- | Régime de ralenti trop bas.

- | Nettoyer ou remplacer le filtre à air.
- | Remplacer le filtre à essence.
- | Consulter un représentant autorisé .
- | Régler le ralenti à 3 000 (± 300) min⁻¹ .

Le moteur s'arrête brusquement.

- | Commutateur en position d'arrêt.
- | Réservoir à essence vide.
- | Filtre à essence obstrué.
- | Bougie court-circuitée ou mauvaise connexion.
- | Eau dans l'essence.
- | Défectuosité d'allumage.
- | Grippage du piston.

- | Remettre le contact et redémarrer.
- | Faire le plein. Consulter la section " Remplissage du réservoir de carburant ".
- | Remplacer le filtre à essence.
- | Nettoyer ou remplacer la bougie. Consulter la section " Caractéristiques techniques " pour le type correct de bougie d'allumage. Resserrer la borne.
- | Vidanger le réservoir et faire le plein avec de l'essence propre. Consulter la section " Mélange de carburant "
- | Remplacer le système d'allumage.
- | Consulter un représentant autorisé Shindaiwa.

Moteur difficile à arrêter.

- | Fil de masse (d'arrêt) débranché, ou commutateur défectueux.
- | Bougie inappropriée entraînant une surchauffe.
- | Surchauffe du moteur.

- | Vérifier et remplacer au besoin.
- | Remplacer la bougie. Consulter la section " Caractéristiques techniques " pour le type correct de bougie d'allumage.
- | Laisser refroidir le moteur en le laissant tourner au ralenti.

L'accessoire de coupe tourne même si le moteur est au ralenti.

- | Régime de ralenti trop élevé.
- | Ressort d'embrayage cassé ou moyeu d'embrayage usé.
- | Support de l'accessoire de coupe desserré.

- | Régler le ralenti à 2 750 (± 250) min⁻¹.
- | Remplacer le ressort / les moyeux au besoin et vérifier la vitesse de ralenti.
- | Inspecter et resserrer les vis.

Vibration excessive.

- | Accumulation de débris dans la turbine.
- | Turbine desserrée ou endommagée
- | Vérifier la turbine et la remplacer au besoin.

- | Débarrasser la turbine des débris selon le cas.
- | Vérifier la turbine et la remplacer au besoin.
- | Vérifier la turbine et la remplacer au besoin..

Le régime moteur est bas.

- | Le capteur thermique est activé, en raison d'un débit d'air limité le couvercle d'admission.

- | Arrêter le moteur. Nettoyer les débris obstruant le couvercle d'admission. Redémarrer. Laisser tourner au ralenti pendant plus d'1 minute. Si le régime moteur diminue de nouveau, consulter un représentant autorisé Shindaiwa.

Déclaration de garantie du dispositif antipollution

Vos droits et obligations en vertu de la garantie

Le California Air Resources Board, l'Agence de protection de l'environnement des États-Unis (EPA) et Shindaiwa Corporation sont heureux de vous expliquer la garantie du système de contrôle des émissions de gaz d'échappement et d'évaporation sur votre nouveau petit moteur hors route.

En California, les nouveaux moteurs d'utilitaires doivent être conçus, construits et équipés de manière à répondre aux normes antipollution les plus strictes de cet État. Dans les autres États, les moteurs d'utilitaires fabriqués après 1997 doivent être conformes aux normes les plus contraignantes de l'EPA. Shindaiwa Corporation doit garantir le système antipollution de l'outil pour les périodes susmentionnées sauf en cas d'abus, de négligence ou d'entretien inadéquat.

Le système de contrôle des émissions de gaz d'échappement et d'évaporation de votre moteur inclut des pièces telles que le carburateur, le réservoir de carburant, le système d'allumage et, le cas échéant, le pot catalytique. Ces composantes sont énumérées ci-dessous.

Lorsque la garantie s'applique, Shindaiwa Corporation s'engage à réparer l'appareil gratuitement, y compris le coût du diagnostic, des pièces et de la main-d'œuvre.

Couverture de la garantie des fabricants

La garantie du dispositif antipollution du moteur couvre l'appareil pendant une durée de deux ans à compter de la date de livraison quand il est vendu aux États-Unis. Pendant la période de garantie, Shindaiwa Corporation peut, à sa discrétion, réparer ou remplacer toute composante défectueuse du dispositif antipollution. Pendant la période de garantie originale, les droits sont réputés transférés aux propriétaires subséquents du produit.

Couverture de la garantie

1. Composantes internes du carburateur.
 - Soupape d'accélérateur, pointeau du jet principal, membrane
2. Réservoir de carburant
3. Composants du système d'allumage
 - Bobine d'allumage
 - Volant
4. Pot catalytique (si présent à l'origine)

Le dispositif antipollution de votre appareil Shindaiwa peut également comprendre certains tubes et connecteurs.

Responsabilités du propriétaire à l'égard de la garantie

En tant que propriétaire de l'appareil, vous êtes responsables d'effectuer l'entretien requis dans le manuel d'utilisation. Shindaiwa Corporation recommande de conserver tous les reçus d'entretien de l'appareil ; toutefois, Shindaiwa Corporation ne peut refuser une réclamation au titre de la garantie par défaut de soumettre les reçus d'entretien ou d'avoir effectué les entretiens recommandés. Shindaiwa Corporation se réserve le droit de refuser toute réclamation au titre de la garantie si l'appareil ou une pièce a fait défaut en raison d'abus, de négligence, d'entretien inadéquat ou de modifications non approuvées. Le propriétaire de l'appareil est responsable de consulter un technicien agréé de Shindaiwa Corporation en cas de problème. Les travaux au titre de la garantie doivent être terminés dans un délai raisonnable qui ne dépasse pas 30 jours.

Pour toute question sur vos droits et obligations au titre de la garantie, contactez un représentant du service à la clientèle Shindaiwa au numéro suivant : (503) 692-3070 ou le distributeur Shindaiwa de votre localité.

Dommages indirects

Dans l'éventualité où d'autres composantes du produit seraient endommagées en raison d'une défaillance d'une pièce couverte par la garantie, Shindaiwa Corporation réparera ou remplacera lesdites composantes gratuitement.

Exclusions

- Défaillances attribuables à de l'abus, de la négligence ou un entretien inadéquat.
- Défaillances causées par l'utilisation de pièces ou d'accessoires modifiés ou non approuvés.

La présente garantie est administrée par
Shindaiwa Inc.
11975 S.W. Herman Rd.
Tualatin, OR 97062
États-Unis
(503) 692-3164



shindaiwa[®]

Shindaiwa Inc.
11975 S.W. Herman Rd.
Tualatin, Oregon 97062
Telephone: 503 692-3070
Fax: 503 692-6696
www.shindaiwa.com

Shindaiwa Corporation
Head Office: 6-2-11 Ozuka
Nishi, Asaminami-Ku
Hiroshima, 731-3167, Japan
Telephone: 81-82-849-2220
Fax: 81-82-849-2481

©2008 Shindaiwa, Inc.
Part Number 68915-94310
Revision 9/08

Shindaiwa is a registered trademark
of Shindaiwa, Inc.
Specifications subject to change without
notice.

Free Manuals Download Website

<http://myh66.com>

<http://usermanuals.us>

<http://www.somanuals.com>

<http://www.4manuals.cc>

<http://www.manual-lib.com>

<http://www.404manual.com>

<http://www.luxmanual.com>

<http://aubethermostatmanual.com>

Golf course search by state

<http://golfingnear.com>

Email search by domain

<http://emailbydomain.com>

Auto manuals search

<http://auto.somanuals.com>

TV manuals search

<http://tv.somanuals.com>