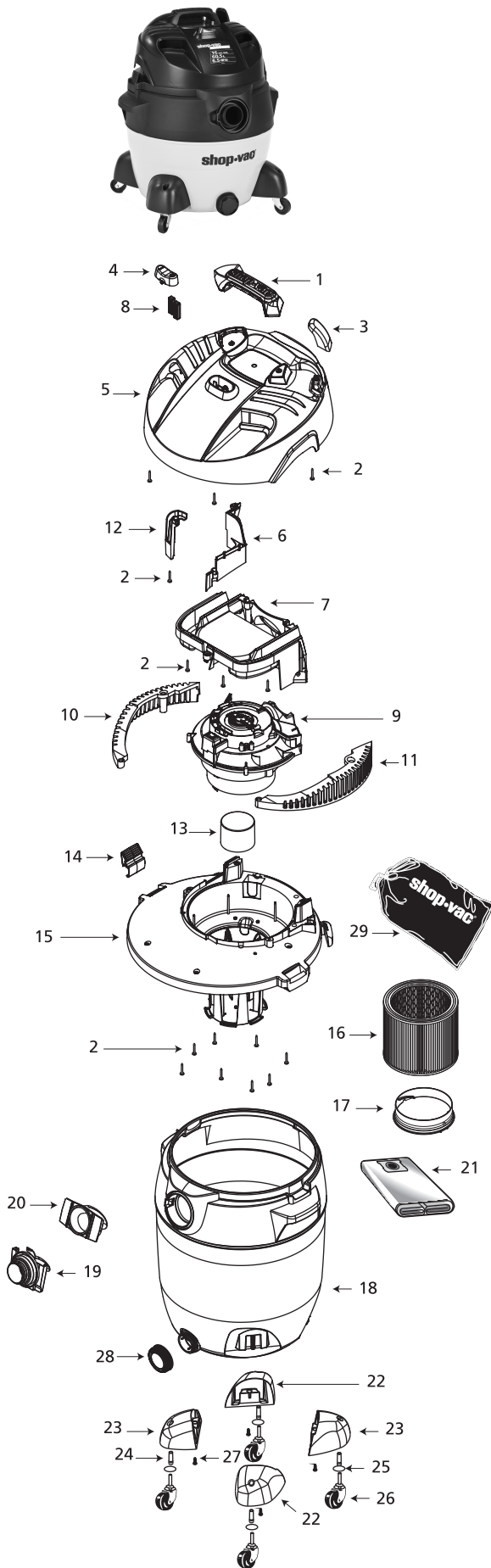


16RHT Series

Model 16RHT650C



ITEM	DESCRIPTION	PART NO.
1	Handle	1944720
2	Screw 10 x 3/4 Trilobe, Twin Lead	1517699
3	Cord Hook	3856430
4	Switch Rocker	8230400
5	Outer Motor Cover Assembly	1944718
6	Air Rib	3720206
7	Inner Motor Cover Assembly	1944721
8	Switch Extension	7414251
9	Power Unit Assembly	8136697
10	Louver - Right	6460250
11	Louver - Left	6460240
12	Assembly Boss	3544100
13	Float	3545000
14	Lid Latch	7444500
15	Lid Cage & Latch Assembly	3544010
16	Cartridge Filter	90304
17	Filter Retainer	3008000
18	Tank Assembly	1944719
19	1 1/2" - 3 1/2" Inlet Adapter **	2178497
20	Inlet Deflector	7413100
21	Disposable Filter Bag	90663
22	Casterfoot A	7431330
23	Casterfoot B	7431350
24	Retainer	8565700
25	Flatwasher	0704399
26	Caster	6773900
27	Screw 10 x 3/4" SL Hex Head	1503999
28	Drain Cover	7446800
29	Tool Storage Bag	0035900

* Replacement parts may differ from original equipment.

** Includes item 20.

FOUR-YEAR HOME USE WARRANTY

Your Shop-Vac® vacuum cleaner is warranted in normal household use, in accordance with the User Manual, against original defects in material and workmanship for a period of four years from date of purchase. Should this product be used for commercial or rental use, a 90 day limited warranty will apply. Shop-Vac Corporation warrants placing this vacuum cleaner in correct operating condition, by repair or parts replacement, during the warranty period, without charge. This warranty does not cover accessories. Use of non-recommended filters and/or accessories may void the manufacturer's warranty.

For product service contact Shop-Vac Corporation, Customer Service, at (570) 326-3557 or go to www.shopvac.com/support. Shop-Vac® assumes no responsibility for damage or faulty performance caused by misuse or careless handling, or where repairs or modifications have been made or attempted by others. Proof of purchase date is required. This warranty gives you specific legal rights, and you may also have other rights, which vary from state to state. This warranty is void outside of the United States.

Free Manuals Download Website

<http://myh66.com>

<http://usermanuals.us>

<http://www.somanuals.com>

<http://www.4manuals.cc>

<http://www.manual-lib.com>

<http://www.404manual.com>

<http://www.luxmanual.com>

<http://aubethermostatmanual.com>

Golf course search by state

<http://golfingnear.com>

Email search by domain

<http://emailbydomain.com>

Auto manuals search

<http://auto.somanuals.com>

TV manuals search

<http://tv.somanuals.com>