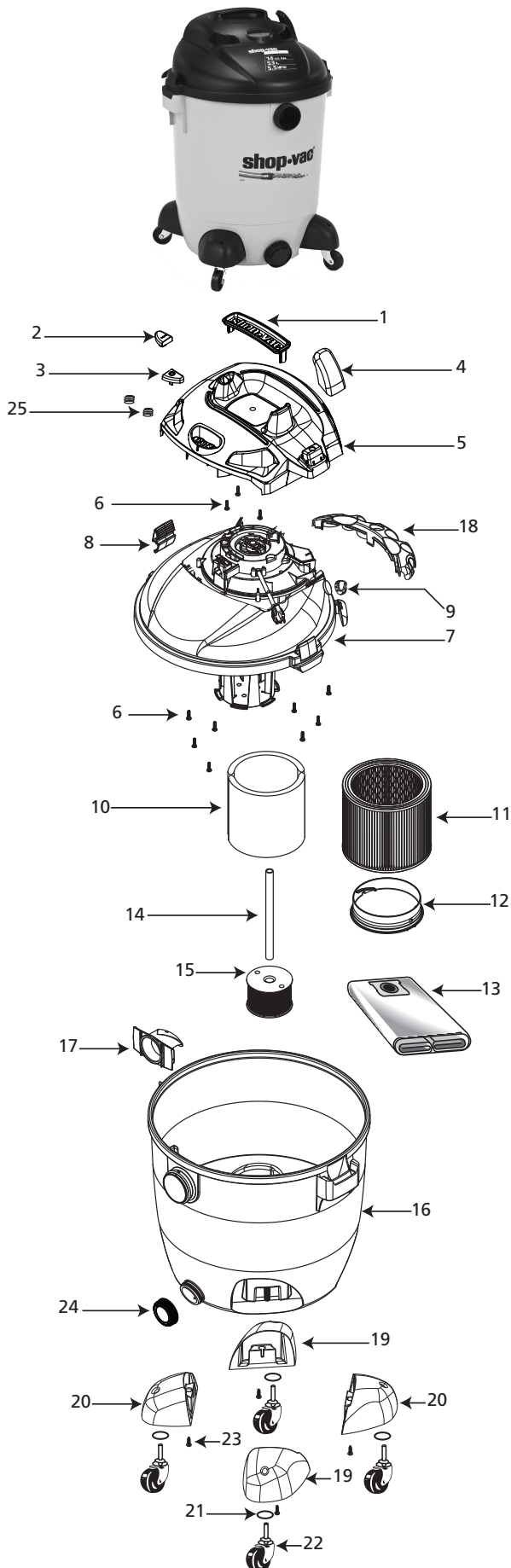


16RTP Series

Model 16RTP550A



ITEM	DESCRIPTION	PART NO.
1	Handle	3751031
2	Switch Button - On	7414200
3	Switch Button - Off	7414210
4	Cord Hook	3856430
5	Motor Cover Assembly	2432222
6	Screw 10 - 3/4" Trilobe, Twin Lead	1517699
7	Power Unit Assembly	8134097
8	Lid Latch	7444500
9	Outlet Fitting Cap	7443300
10	Foam Sleeve	90585
11	Cartridge Filter	90304
12	Filter Retainer	3008000
13	Disposable Filter Bag	90662
14	Pickup Tube	2723107
15	Pickup Cage Assembly	7412250
16	Tank Assembly	1094897
17	Inlet Deflector	7413100
18	Tool Holder	8412000
19	Casterfoot A	8568006
20	Casterfoot B	8568016
21	Flat Washer	0704399
22	Caster	6773900
23	Screw 10 x 3/4" SL Hex Head	1503999
24	Drain Cover	7446800
25	Spring	2802899

* Replacement parts may differ from original equipment.

FOUR-YEAR HOME USE WARRANTY

Your Shop-Vac® vacuum cleaner is warranted in normal household use, in accordance with the User Manual, against original defects in material and workmanship for a period of four years from date of purchase. Should this product be used for commercial or rental use, a 90 day limited warranty will apply. Shop-Vac Corporation warrants placing this vacuum cleaner in correct operating condition, by repair or parts replacement, during the warranty period, without charge. This warranty does not cover accessories. Use of non-recommended filters and/or accessories may void the manufacturer's warranty.

For product service contact Shop-Vac Corporation, Customer Service, at (570) 326-3557 or go to www.shopvac.com/support. Shop-Vac assumes no responsibility for damage or faulty performance caused by misuse or careless handling, or where repairs or modifications have been made or attempted by others. Proof of purchase date is required. This warranty gives you specific legal rights, and you may also have other rights, which vary from state to state. This warranty is void outside of the United States.

Free Manuals Download Website

<http://myh66.com>

<http://usermanuals.us>

<http://www.somanuals.com>

<http://www.4manuals.cc>

<http://www.manual-lib.com>

<http://www.404manual.com>

<http://www.luxmanual.com>

<http://aubethermostatmanual.com>

Golf course search by state

<http://golfingnear.com>

Email search by domain

<http://emailbydomain.com>

Auto manuals search

<http://auto.somanuals.com>

TV manuals search

<http://tv.somanuals.com>